

OUTDOOR GAS GRILL  
**USE AND CARE GUIDE**

---

CLEANING, MAINTENANCE, AND MORE

---



## Contents

- 4 Safety Precautions
- 6 Outdoor Gas Grill Features
- 8 Grill Operation
- 12 Care Recommendations
- 14 Troubleshooting
- 15 Wolf Warranty

## Customer Care

The model and serial number are printed on the enclosed product registration card. Both numbers are also listed on the product rating plate. Refer to page 6 for rating plate location. For warranty purposes, you will also need the date of installation and name of your authorized Wolf dealer. Record this information below for future reference.

### SERVICE INFORMATION

|                          |       |
|--------------------------|-------|
| Model Number             | _____ |
| Serial Number            | _____ |
| Date of Installation     | _____ |
| Certified Service Name   | _____ |
| Certified Service Number | _____ |
| Authorized Dealer        | _____ |
| Dealer Number            | _____ |

If your product ever needs attention, be sure to use a Wolf Factory Certified Service provider recommended by our Customer Care Center, or select one from our list of providers available at [wolfappliance.com/locator](http://wolfappliance.com/locator). All Factory Certified Service providers are carefully selected and thoroughly trained by us.

## Important Note

To ensure this product is installed and operated as safely and efficiently as possible, take note of the following types of highlighted information throughout this guide:

**IMPORTANT NOTE** highlights information that is especially important.

**CAUTION** indicates a situation where minor injury or product damage may occur if instructions are not followed.

**WARNING** states a hazard that may cause serious injury or death if precautions are not followed.

**IMPORTANT NOTE:** Throughout this guide, dimensions in parentheses are millimeters unless otherwise specified.

## IMPORTANT INSTRUCTIONS

### **⚠ WARNING**

If the information in this guide is not followed exactly, a fire or explosion may result, causing property damage, personal injury, or death.

### **WHAT TO DO IF YOU SMELL GAS:**

- Shut off gas to the appliance.
- Extinguish any open flames.
- Open hood or remove cover.
- If odor continues, keep away from the appliance and immediately call your gas supplier or fire department.

### **FOR YOUR SAFETY:**

- Do not store or use gasoline or other flammable vapors and liquids in the vicinity of this or any other appliance.
- An LP cylinder not connected for use shall not be stored in the vicinity of this or any other appliance.
- Keep any electrical supply cord and the fuel supply hose away from any heated surfaces.

### **FOR OUTDOOR USE ONLY:**

If stored indoors, detach and leave LP cylinder outdoors.

### **BEFORE LIGHTING:**

- Read instructions before lighting.
- Open hood or remove cover before lighting.
- If ignition does not occur in 5 seconds, turn the burner control(s) off, wait 5 minutes, and repeat the lighting procedure.

- Read this use and care guide carefully before using your outdoor product to reduce the risk of fire, electric shock, or injury to persons.
- Installation must be performed by a qualified installer, service agency, or the gas supplier.
- Warranty service must be performed by Wolf Factory Certified Service.
- Make sure the outdoor product is properly installed and connected to the gas for which your unit was designed. Do not use charcoal or other material in your outdoor product.
- Make sure the outdoor product is connected to a properly grounded GFCI 120 VAC electrical supply.
- Have the installer show you where the gas shut-off valve is so you can shut off the gas supply in an emergency.
- If the smell of gas is present, gas connections may not be properly sealed or you may have a gas leak. Determining where the gas leak is should be done by Wolf Factory Certified Service or the gas supplier.

### **⚠ WARNING**

**Wolf outdoor products are for outdoor use only! Do not operate in enclosed areas. This could result in carbon monoxide buildup which would result in injury or death.**

## **IMPORTANT INSTRUCTIONS**

### **GENERAL SAFETY PRECAUTIONS**

- The installation of this appliance must conform with local codes or, in the absence of local codes, either the National Fuel Gas Code, ANZI Z223.1/ NFPA 54, or CAN/CGA-B149.1, Natural Gas Installation Code or CAN/CGA-B149.2, Propane Installation Code.
- Minimum clearance of 12" (305) from the back and sides of the grill to adjacent combustible construction must be maintained. This outdoor cooking gas appliance should not be located under overhead-unprotected combustible construction.
- The utilization of an external electrical source requires that when installed, this outdoor cooking gas appliance must be electrically grounded in accordance with the local codes or, in the absence of local codes, with the National Electrical Code, ANSI/NFPA 70, or the Canadian Electrical Code, CSA C22.1. Keep any electrical supply cord, or the rotisserie motor cord and the fuel supply hose away from any heated surfaces.
- It is critical that the gas burners are properly installed with their orifices inside the burners air shutters. If not properly installed, gas may leak outside of the burner that could lead to fire, potential damage to your grill, and bodily injury.
- When choosing an area for the grill, whether a portable or built-in application, consider exposure to wind, proximity to traffic paths, and length of the gas supply line.
- LP cylinder must be disconnected when not in use.
- This outdoor cooking gas appliance is not intended to be installed in or on recreational vehicles and/or boats.
- Do not obstruct the flow of combustion and ventilation air to this appliance. Keep the ventilation openings of the cylinder enclosure free and clear from debris.
- Check all gas connections for leaks with soapy water solution and brush. Never use an open flame. Refer to the outdoor gas grill installation guide for the leak testing procedure.
- Check flexible hoses for cuts and wear that may affect the safety before each use.
- Never light the outdoor product with cover in place.
- Never use the grill without the drip pan installed and pushed all the way to the back of the grill.
- Never fill an LP cylinder beyond 80% full.

#### **▲ WARNING**

#### **PROPOSITION 65 FOR CALIFORNIA RESIDENTS**

Cancer and Reproductive Harm—  
[www.P65Warnings.ca.gov](http://www.P65Warnings.ca.gov)

### **COMMONWEALTH OF MASSACHUSETTS**

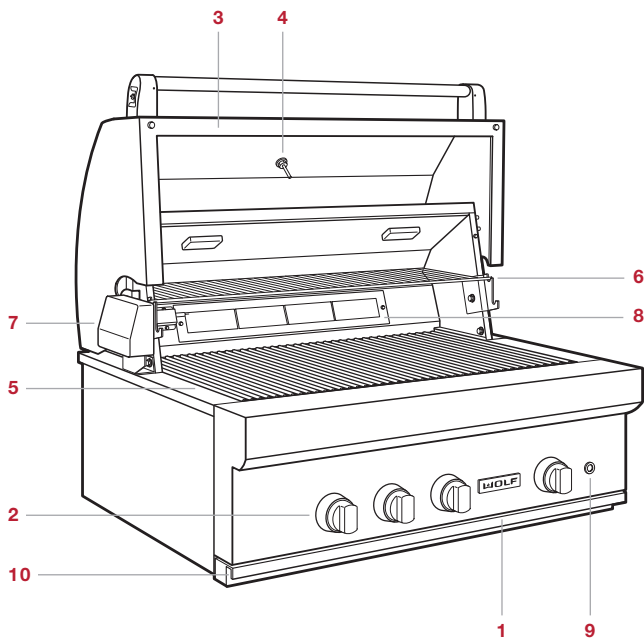
- Installations and repairs must be performed by a qualified or licensed contractor, plumber, or gas fitter, qualified or licensed by the state, province, or region where this appliance is being installed.
- Use only gas shut-off valves approved for use within the state, province, or region where this appliance is being installed.
- A flexible gas connector, when used, must not exceed 3' (.9 m).

# OUTDOOR GAS GRILL

## Outdoor Gas Grill Features

### FEATURES

- 1 Product Rating Plate
- 2 Control Knob
- 3 Hood
- 4 Thermometer
- 5 Burner Grates
- 6 Warming Rack
- 7 Rotisserie Motor
- 8 Rotisserie Burner
- 9 Interior and Knob Light Button
- 10 Drip Tray

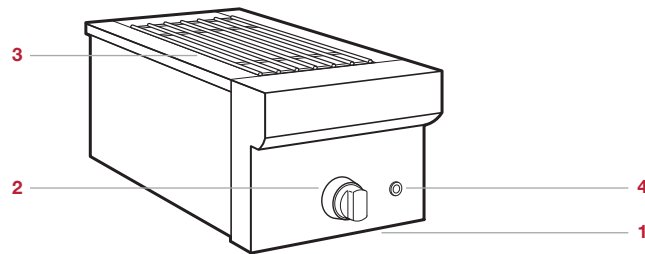


Outdoor Gas Grill (OG36 shown)

## Outdoor Module Features

### FEATURES

- 1 Product Rating Plate
- 2 Control Knob
- 3 Burner Grate
- 4 Knob Light Button (burner module)



Outdoor Module (Burner Module shown)

### Outdoor Grill | Module

For portable applications, Wolf grill carts are designed specifically to fit grill models OG30, OG36, and OG42 and the side burner. Model OG54 is designed for built-in applications only.

Wolf outdoor grills and the burner module are designed for easy placement into a built-in enclosure. For outdoor grills, installation in a combustible enclosure requires an insulating liner. For the burner module, an insulating liner is not required.

For built-in applications, stainless steel accessory doors and drawers are available through an authorized Wolf dealer. For local dealer information, visit the find a showroom section of our website, [wolfappliance.com](http://wolfappliance.com).

### Getting Started

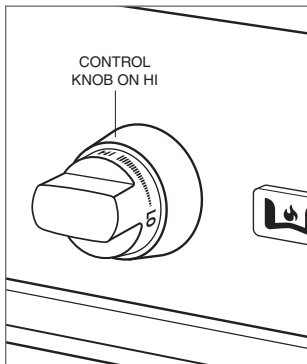
We know you are eager to start grilling, but before you do, please take some time to read this use and care guide. Whether you are an occasional cook or an expert chef, it will be to your benefit to familiarize yourself with the safety practices, features, operation, and care recommendations of your Wolf Outdoor Gas Grill.

- To ensure all residual oil from the manufacturing process has been removed, turn the burner control knobs to HI and allow the grill to heat for 10 minutes with the hood closed. A small amount of smoke and odor may be noticed during the initial break-in period.
- Clean the grill thoroughly with hot water and mild detergent prior to use. Rinse and dry with a soft cloth. Refer to Care Recommendations on page 13.
- Verify all components are assembled correctly.
- Wolf outdoor products are manufactured for use with natural gas or LP gas. Check the product rating plate for the type of gas for your specific model. If this appliance does not correspond to your type of gas, contact your authorized Wolf dealer.

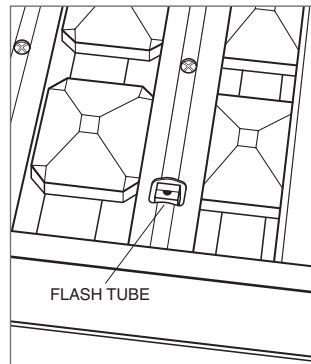
### Grill Operation

#### BURNER LIGHTING

- 1 Open the hood completely. Do not attempt to light the grill with the hood closed. For the module, remove the cover.
- 2 Open the gas supply shut-off valve.
- 3 Push in the burner control knob and verify the hot surface igniter glows. The hot surface igniters are located below the burner grates inside the flash tubes (for the module, at the rear of the burner). Refer to the illustrations below.
- 4 Once a glow is verified, push in and turn the control knob counterclockwise to HI. Hold the knob in for five seconds. Once a flame is visible, release the knob. If the burner fails to light within five seconds, turn the knob to OFF, wait five minutes and repeat the lighting procedure.
- 5 Close the hood and allow the grill to preheat until the desired temperature is displayed on the thermometer.



Burner control knob



Flash tube location

#### MANUAL LIGHTING

If electrical power is not available, surface burners can be lit manually using a multi-purpose lighter.

- 1 Open the hood completely. Do not attempt to light the grill with the hood closed. For the module, remove the cover.
- 2 Open the gas supply shut-off valve.
- 3 Push in and turn the control knob counterclockwise to HI. Hold the knob in for five seconds.
- 4 Insert a multi-purpose lighter (or match held by the lanyard provided) through the burner grates and near the top of the flash tube (for the module, near the top of the burner). Once a flame is visible, release the knob. If the burner fails to light within five seconds, turn the knob to OFF, wait five minutes and repeat the lighting procedure.

#### **⚠ WARNING**

When lighting, always keep face and body as far away as possible.



### Grill Operation

#### GENERAL GRILLING

- 1 After lighting, allow the grill burners to preheat for 10 minutes on the desired heat setting.
- 2 Place food on the grill and cook to the desired temperature or doneness, turning food halfway through cooking time. Adjust the heat setting if necessary. The burner control knob may be set to any position between HI and LO.
- 3 Remove food or transfer to the warming rack to keep warm.
- 4 Allow the grill to cool. Clean the drip tray after each use.

#### INFRARED SEAR BURNER

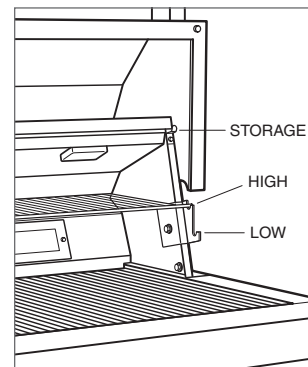
Searing steaks and other meats over the infrared sear burner to begin grilling helps seal in flavorful juices. Sear meats quickly, followed by regular grilling over the grill burners.

- 1 After lighting, allow the infrared sear burner to preheat for 10 minutes on HI.
- 2 Sear the meat up to two minutes on each side, then move to the grilling area.

#### WARMING RACK

The warming rack has three positions. Warm food in the high or low position or, when not in use, place on the top support hooks for the storage position. Refer to the illustration below.

From the high position, the warming rack must be removed and rotated 180° for the low position and storage position. The warming rack must be removed or in the storage position during rotisserie operation.



Warming rack

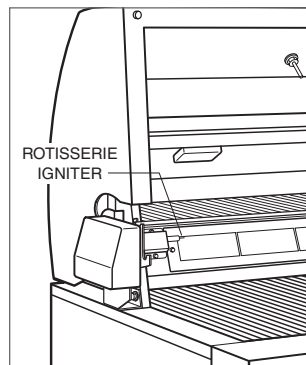
### Grill Operation

#### ROTISSERIE GRILLING

The rotisserie rotates food in front of an infrared burner for even cooking and a more juicy taste. Additional radiant heat from the outside grill burners on LO, may be used to speed up cooking time. The hood must be closed. Use for grilling large roasts and whole poultry.

When not in use, the rotisserie motor should be stored in a protected area.

- 1 Install the rotisserie motor on the motor bracket and plug it into the electrical outlet.
- 2 Insert food in the middle of the spit rod and secure with the meat forks on both ends by tightening thumb screws. Make sure food is evenly balanced.
- 3 Insert the spit rod in the rotisserie motor at the desired position.
- 4 Place a basting pan under the food to catch drippings.
- 5 Push in and turn the rotisserie knob counterclockwise to HI. The rotisserie igniter is located on the rear panel next to the rotisserie burner. Refer to the illustration below.
- 6 Close the hood and allow the rotisserie burner to preheat for 10 minutes on the desired heat setting.
- 7 Place the spit rod with food into the rotisserie motor. Cook to the desired temperature or doneness.
- 8 To remove the spit rod, lift slightly on the rotisserie motor and pull the rod out.



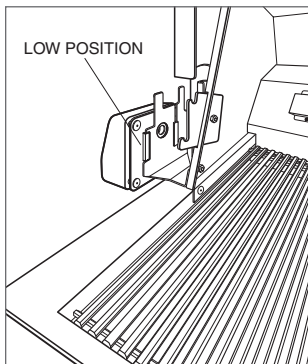
Rotisserie igniter

## Grill Operation

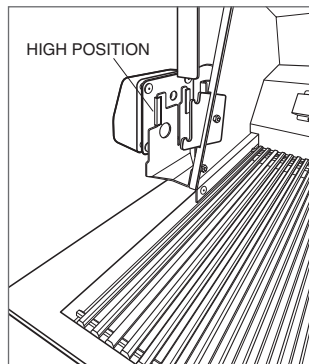
### ROTISSERIE POSITION

The two-position rotisserie allows for food of different sizes to cook at the proper distance from the infrared rotisserie burner. The maximum load is 25 lbs (11 kg).

- 1 Install the rotisserie motor in the low position for large loads or the high position for small loads. Refer to the illustrations below. The motor socket hole will line up with the lower notch of the spit saddles in the low position and upper notch in the high position.
- 2 Insert the spit rod into the motor socket hole and place the rod on the appropriate notch of each spit saddle.
- 3 For large loads, remove the burner grates and place the basting pan on top of the briquette trays to catch drippings. For small loads, place the basting pan on top of the burner grates.



Low rotisserie position



High rotisserie position

### SMOKER BOX

The sealed smoker box included with the grill, can hold soaked wood chips to smoke enhance foods. The smoker box may warp slightly with heat, but will retain its original shape after it cools.

- 1 Remove one burner grate section and slide the remaining sections aside so the center is exposed. Remove a center, half-size briquette tray without a flash tube.
- 2 Position the smoker box in place of the briquette tray. The smoker box will line up above the burner. For best results, center the smoker box in the grill.
- 3 Add soaked wood chips to the smoker box.
- 4 Turn the control knob for the burner under the smoker box on HI. Once smoking begins, adjust heat to the desired setting.
- 5 Position the burner grate section over the smoker box and place food directly on the grate.
- 6 Every 30 to 45 minutes, slide the grate section aside to access the smoker box. Stir the wood chips and add more if needed.
- 7 Cook food to the desired temperature, doneness, or smoke enhancement.

#### **⚠ CAUTION**

Do not use the smoker box over the infrared sear burner.

## Grill Lights

Outdoor gas grills are equipped with halogen interior lights and LED lights in the control knobs for night grilling.

Turn the interior and knob lights on and off using the button located on the front panel of the grill. Interior lights turn off automatically when the hood is closed but the control knob lights will remain on.

Interior lights require 10W, type G4 halogen bulbs and are available through an authorized Wolf dealer. For local dealer information, visit the find a showroom section of our website, [wolfappliance.com](http://wolfappliance.com).

## LIGHT BULB REPLACEMENT

**IMPORTANT NOTE:** Use a paper towel when handling the replacement halogen bulb to keep oil on fingers from touching the bulb. Failure to do this will shorten the life of the bulb.

- 1 Unplug the grill from the electrical outlet and allow the halogen bulb to cool before replacing.
- 2 Remove the light cover lens, by pushing in on one of the side retaining brackets with a screwdriver.
- 5 Remove the old halogen bulb by pulling it straight out.
- 6 Using a paper towel to handle the new halogen bulb, insert the bulb securely into the socket and replace the light cover lens.

### **⚠ CAUTION**

Use caution when handling light bulbs. Halogen bulbs get hot instantly and adjacent parts may retain heat.

## Care Recommendations

### CLEANING

|   |   |
|---|---|
| <b>Stainless steel</b>                        | After the grill has cooled, use a nonabrasive stainless steel cleaner and apply with a soft lint-free cloth. To bring out the natural luster, lightly wipe the surface with a water-dampened microfiber cloth followed by a dry polishing chamois. Always follow the grain of stainless steel. Baked-on residue can be removed using a mild abrasive pad with stainless steel cleaner. Do not use steel wool. It is normal for certain areas of the stainless steel to discolor due to intense heat given off by the burners. |
| <b>Grill interior</b>                         | Turn all grill burners on HI (including sear, but not rotisserie burner). Allow the grill to heat for 10–12 minutes with the hood closed. Turn burners OFF and allow the grill to cool completely. Remove burner grates and briquette trays. Cover the burner tubes and infrared sear burner with plastic wrap and clean interior with oven cleaner according to package directions.  |
| <b>Burner grates</b>                          | While the grates are still hot, scrub with a grill brush and water. The steam created will loosen food particles on the briquettes and drip tray. Do not clean the burner grate section while in place over the infrared sear burner. Liquid should not come in contact with the sear burner. Grates may be rotated for cleaning.   |
| <b>Grill burners</b>                          | Inspect the grill burners for spiders, insects, and other obstructions periodically. Clear obstructions.<br><b>IMPORTANT NOTE:</b> Spiders and insects can nest in burners causing a fire hazard and damage to the grill.   |
| <b>Infrared sear burner</b>                   | Clean the protective screen of the sear burner and remove trapped particles periodically. To avoid damage to the ceramic tiles, do not allow liquid to come in contact with the infrared sear burner. Do not place the briquette trays over the sear burner.  |
| <b>Ceramic briquettes<br/>Briquette trays</b> | Turn all grill burners on HI (including sear, but not rotisserie burner). Allow the grill to heat for 10–12 minutes with the hood closed. Turn burners OFF and allow the grill to cool completely. Remove briquette trays and wipe clean.   |
| <b>Smoker box</b>                             | After the grill has cooled, remove the smoker box, empty and clean with warm water and mild detergent.  |
| <b>Drip tray</b>                              | After the grill has cooled, slide the drip tray out and wipe clean. To avoid a grease fire, the drip tray should be cleaned after each use.   |

### Troubleshooting

#### Burners do not light.

- Push the burner control knob in and verify the igniter glows.
- Verify electrical power to the grill and home circuit breaker is on.
- Verify GFCI has not been tripped.
- Purge the line of trapped air.
- If no electrical supply is available, the burners can be lit manually. Refer to page 8.

#### Hot surface igniter does not operate.

- Verify electrical power to the grill and home circuit breaker is on.
- Verify the GFCI has not been tripped.

#### Burners do not heat properly.

- Verify proper gas supply.
- Verify the gas supply line is not bent or kinked.
- Preheat the burners for 10 minutes.
- Inspect the grill burners for spiders, insects, or other obstructions.

#### **▲ WARNING**

Spiders and insects can nest in burners causing a fire hazard and damage to the grill.

#### Burner flame blows out.

- Verify proper gas supply.
- If exposed to wind, provide a wind block.

#### Smell of gas is present.

- Contact Wolf Factory Certified Service or gas supplier to check for gas leak.

#### Excessive flare-ups occur.

- Clean the burner grates.
- Excess fat on meat or excessive cooking temperature.

#### Interior or control knob lights do not operate.

- Verify electrical power to the grill and home circuit breaker is on.
- Verify the GFCI has not been tripped.
- The interior light bulb may need to be replaced.

#### SERVICE

- Maintain the quality built into your product by contacting Wolf Factory Certified Service. For the name of the nearest Wolf Factory Certified Service, check the Support & Service section of our website, [wolfappliance.com](http://wolfappliance.com), or call Wolf Customer Care at 800-222-7820.
- When contacting service, you will need the model and serial number of your product. Both numbers are listed on the product rating plate. Refer to page 6 for rating plate location.
- For warranty purposes, you will also need the date of installation and name of your authorized Wolf dealer. This information should be recorded on page 3 of this guide.

## Wolf Appliance Outdoor Limited Warranty\*

FOR RESIDENTIAL USE

### FULL ONE YEAR WARRANTY\*\*

For one year from the date of original installation, this Wolf Appliance product warranty covers all parts and labor to repair or replace, under normal residential use, any part of the product that proves to be defective in materials or workmanship. All service provided by Wolf Appliance under the above warranty must be performed by Wolf Factory Certified Service, unless otherwise specified by Wolf Appliance, Inc. Service will be provided during normal business hours.

### LIMITED FIVE YEAR WARRANTY

For five years from the date of original installation, Wolf Appliance will repair or replace the following parts that prove to be defective in materials or workmanship: stainless steel briquette trays, gas valves, drip pans, electronic control boards and electric heating elements. If the owner uses Wolf Factory Certified Service, the service provider will repair or replace these parts with the owner paying for all other costs, including labor. If the owner uses non-certified service, the owner must contact Wolf Appliance, Inc. (using the information below) to receive repaired or replacement parts. Wolf Appliance will not reimburse the owner for parts purchased from non-certified service or other sources.

### LIMITED LIFETIME WARRANTY

For the life of the product, Wolf Appliance will repair or replace the following parts that prove to be defective in materials or workmanship: all stainless steel components (excludes surface corrosion, scratches, discoloration, weather and atmospheric related staining and minor surface rust and oxidation). If the owner uses Wolf Factory Certified Service, the service provider will repair or replace these parts with the owner paying for all other costs, including labor. If the owner uses non-certified service, the owner must contact Wolf Appliance, Inc. (using the information below) to receive repaired or replacement parts. Wolf Appliance will not reimburse the owner for parts purchased from non-certified service or other sources.

### TERMS APPLICABLE TO EACH WARRANTY

The warranty applies only to products installed for normal residential use. The warranty applies only to products installed in any one of the fifty states of the United States, the District of Columbia or the ten provinces of Canada. This warranty does not cover any parts or labor to correct any defect caused by negligence, accident or improper use, maintenance, installation, service or repair.

**THE REMEDIES DESCRIBED ABOVE FOR EACH WARRANTY ARE THE ONLY ONES THAT WOLF APPLIANCE, INC. WILL PROVIDE, EITHER UNDER THIS WARRANTY OR UNDER ANY WARRANTY ARISING BY OPERATION OF LAW. WOLF APPLIANCE, INC. WILL NOT BE RESPONSIBLE FOR ANY CONSEQUENTIAL OR INCIDENTAL DAMAGES ARISING FROM THE BREACH OF THIS WARRANTY OR ANY OTHER WARRANTY, WHETHER EXPRESS, IMPLIED OR STATUTORY.**

Some states do not allow the exclusion or limitation of incidental or consequential damages, so the above limitation or exclusion may not apply to you. This warranty gives you specific legal rights and you may also have other legal rights that vary from state to state.

To receive parts and/or service and the name of Wolf Factory Certified Service nearest you, contact Wolf Appliance, Inc., P.O. Box 44848, Madison, WI 53744; check the Support & Service section of our website, [wolfappliance.com](http://wolfappliance.com), email us at [customerservice@subzero.com](mailto:customerservice@subzero.com) or call 800-222-7820.

\*Product must be approved for outdoor use, designated by model and serial number.

\*\*Stainless steel (doors, panels, handles, product frames and interior surfaces) are covered by a limited 60-day parts and labor warranty for cosmetic defects.



## Contenido

- 4 Precauciones de seguridad
- 6 Características de la parrilla de gas para exteriores
- 8 Funcionamiento de la parrilla
- 12 Recomendaciones sobre el cuidado
- 14 Resolución de problemas
- 15 Garantía de Wolf



### Atención al cliente

El modelo y número de serie están impresos en la tarjeta de registro del producto adjunta. Los dos números también aparecen en la placa de datos del producto. Consulte la página 6 para encontrar la placa de datos. Para fines de la garantía, usted también necesitará la fecha de instalación y el nombre de su distribuidor autorizado de Wolf. Anote esta información abajo para referencia futura.

#### INFORMACIÓN PARA SERVICIO

---

Número de modelo

---

Número de serie

---

Fecha de instalación

---

Nombre de servicio certificado

---

Número de servicio certificado

---

Distribuidor autorizado

---

Número de distribuidor

---

Si su producto alguna vez necesita servicio asegúrese de usar un proveedor de servicios certificado por Wolf y recomendado por nuestro centro de atención al cliente, o seleccione uno de nuestra lista de proveedores en [wolfappliance.com/locator](http://wolfappliance.com/locator). Todos los proveedores de los centros de servicio autorizados han sido cuidadosamente seleccionados y entrenados a fondo por nosotros.

### Aviso importante

Para garantizar que este producto se instale y opere de la forma más segura y eficiente posible, tome nota de los siguientes tipos de información resaltada en esta guía:

**AVISO IMPORTANTE** señala la información que es especialmente importante.

**PRECAUCIÓN** indica una situación en la que se pueden sufrir heridas leves o provocar daños al producto si no se siguen las instrucciones.

**ADVERTENCIA** indica peligro de que se produzcan heridas graves o incluso la muerte si no se siguen las precauciones.

**AVISO IMPORTANTE:** en toda esta guía, las dimensiones entre paréntesis son milímetros, a menos que se especifique lo contrario.

## INSTRUCCIONES IMPORTANTES

### ⚠ ADVERTENCIA

Si no se sigue la información de esta guía al pie de la letra se puede provocar un incendio o una explosión, y causar daños a la propiedad, lesiones personales o incluso la muerte.

#### QUÉ HACER SI PERCIBE OLOR A GAS:

- Cierre la conexión de gas del electrodoméstico.
- Apague todas las llamas expuestas.
- Abra la campana o retire la tapa.
- Si persiste el olor, aléjese del electrodoméstico y llame de inmediato a su proveedor de gas o al departamento de bomberos.

#### POR SU SEGURIDAD:

- No almacene ni utilice gasolina u otros vapores o líquidos ignífugos cerca de este o de cualquier otro electrodoméstico.
- No se deben almacenar cilindros de gas que no estén conectados cerca de este o de cualquier otro electrodoméstico.
- Mantenga el cable de corriente y la manguera de suministro de combustible lejos de las superficies calientes.

#### PARA USO EN EXTERIORES SOLAMENTE:

Si se guarda en interiores, desconecte y deje el cilindro de gas afuera.

#### ANTES DEL ENCENDIDO:

- Lea las instrucciones antes de encender el electrodoméstico.
- Abra la campana o retire la tapa antes de encender el electrodoméstico.
- Si no hay ignición en 5 segundos, apague los controles del quemador y repita el procedimiento.

- Lea este manual de uso y cuidado con atención antes de utilizar su producto para exteriores a fin de reducir el riesgo de incendio, descarga eléctrica o lesiones personales.
- La instalación la debe realizar un instalador calificado, agencia de servicio o proveedor de gas.
- El servicio de garantía debe ser realizado por un centro de servicio autorizado de Wolf.
- Asegúrese de que el producto para exteriores esté correctamente instalado y conectado al gas para el que fue diseñada la unidad. No utilice carbón vegetal ni otro material en su producto para exteriores.
- Conecte el producto para exteriores a una fuente eléctrica de 120 V CA con GFCI.
- Pídale al instalador que le muestre dónde se cierra la válvula para que pueda apagar el suministro de gas en una emergencia.
- Si hay olor a gas, es posible que las conexiones de gas no estén bien selladas o que haya una fuga. El trabajo de determinar el lugar de una fuga de gas lo debe realizar un centro de servicio autorizado de Wolf o el proveedor de gas.

### ⚠ ADVERTENCIA

Los productos para exteriores de Wolf solo se deben usar en exteriores. No los opere en áreas cerradas, pues podría acumularse monóxido de carbono y ocasionar lesiones o muertes.

## INSTRUCCIONES IMPORTANTES

### PRECAUCIONES GENERALES DE SEGURIDAD

- La instalación de este electrodoméstico debe cumplir los códigos locales y, en caso de que no los haya, el Código Nacional de Gas Combustible, ANZI Z223.1/NFPA 54, o CAN/CGA-B149.1, Código de Instalaciones de Gas Natural o CAN/CGA-B149.2, Código de Instalaciones de Propano.
- Se debe mantener un espacio mínimo de 12" (305) entre la parte posterior y los lados de la parrilla y las estructuras combustibles. Este electrodoméstico de gas para exteriores no se debe colocar debajo de estructuras combustibles suspendidas que no estén protegidas.
- Si se usa una fuente eléctrica externa, este electrodoméstico de gas para exteriores se debe conectar a tierra en el momento de la instalación, de conformidad con todos los códigos locales o, en caso de que no los haya, con el Código Nacional de Electricidad, ANSI/NFPA 70, o el Código de Electricidad de Canadá, CSA C22.1. Mantenga el cable de corriente, el cable del motor del asador y la manguera de suministro de combustible lejos de las superficies calientes.
- Es de vital importancia que los quemadores de gas estén instalados correctamente con los orificios dentro de los obturadores de aire de los quemadores, pues, en caso contrario, puede escapar gas del quemador y provocar incendios, posibles daños en la parrilla y lesiones corporales.
- Cuando seleccione el área para poner la parrilla, ya se trate de una ubicación portátil o empotrada, tenga en cuenta la exposición al viento, la proximidad a vías de tránsito y la longitud de la línea de suministro de gas.
- El cilindro de gas se debe desconectar cuando no esté en uso.
- Este electrodoméstico de gas no debe instalarse en vehículos recreativos ni en botes.
- No obstruya el flujo del aire de combustión y de ventilación del electrodoméstico. Mantenga las aberturas de ventilación de la carcasa del cilindro despejadas y sin residuos.
- Revise que no haya fugas en ninguna de las conexiones de gas con una solución de agua jabonosa. Nunca lo haga con una llama expuesta. Consulte el manual de instalación de parrillas de gas para exteriores para conocer el procedimiento de prueba de fugas.
- Antes de cada uso, revise que las mangueras flexibles no estén rotas ni desgastadas pues ello puede afectar la seguridad.
- Nunca encienda el producto para exteriores con la tapa puesta.
- Nunca utilice la parrilla sin instalar la bandeja recolectora ni empujarla totalmente hacia atrás de la parrilla.
- Nunca llene un cilindro de gas más del 80% de su capacidad.

### ⚠ ADVERTENCIA

#### PROPUESTA 65 PARA RESIDENTES DE CALIFORNIA

Cáncer y Daño Reproductivo—  
[www.P65Warnings.ca.gov](http://www.P65Warnings.ca.gov)

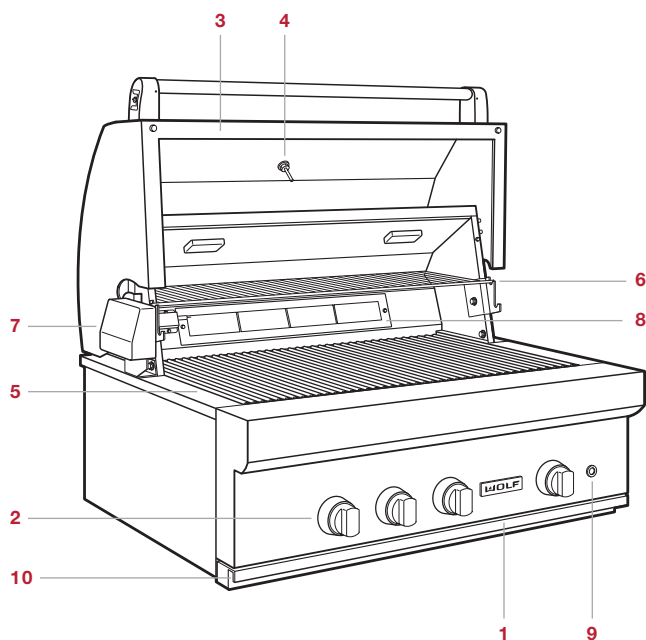
### MANCOMUNIDAD DE MASSACHUSETTS

- Las instalaciones y reparaciones deben ser realizadas por un contratista, plomero o un instalador de gas autorizado o calificado por el estado, la provincia o región donde se va a instalar este electrodoméstico.
- Utilice únicamente llaves de paso para gas aprobadas para su uso dentro del estado, provincia o región donde se va a instalar este electrodoméstico.
- Un conector de gas flexible, cuando se utilice, no debe sobrepasar 3' (.9 m).

### Características de la parrilla de gas para exteriores

#### CARACTERÍSTICAS

- |    |                                     |
|----|-------------------------------------|
| 1  | Placa de datos del producto         |
| 2  | Perilla de control                  |
| 3  | Campana                             |
| 4  | Termómetro                          |
| 5  | Rejillas de quemadores              |
| 6  | Parrilla de calentamiento           |
| 7  | Motor del asador                    |
| 8  | Quemador del asador                 |
| 9  | Botón de luz interior y de perillas |
| 10 | Charola vertedora                   |

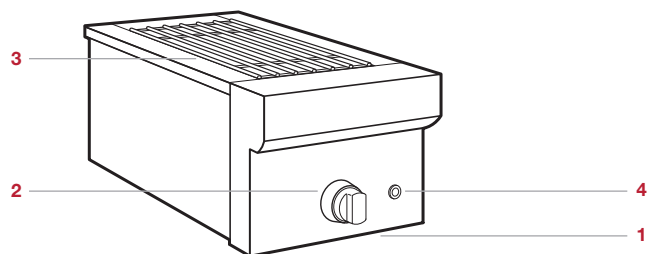


Parrilla de gas para exteriores (modelo OG36 en la imagen)

### Características del modelo para exteriores

#### CARACTERÍSTICAS

- |   |   |
|---|---|
| 1 | Placa de datos del producto                   |
| 2 | Perilla de control                            |
| 3 | Rejillas de quemadores                        |
| 4 | Botón de luz de perillas (módulo de quemador) |



Módulo para exteriores (módulo de quemador en la imagen)

### Parrillas y módulos para exteriores

En instalaciones portátiles, los carros para parrillas Wolf se han diseñado específicamente para los modelos OG30, OG36 y OG42 y el quemador lateral. El modelo OG54 está diseñado únicamente para empotrarse.

Las parrillas para exteriores y el módulo de quemador Wolf están diseñados para empotrarse con facilidad. Cuando se instala una parrilla para exteriores en un recinto combustible, se necesita un revestimiento aislante. En el módulo de quemador no se necesita este revestimiento.

Las aplicaciones empotradas tienen puertas y cajones accesorios de acero inoxidable disponibles en los distribuidores autorizados de Wolf. Para obtener más información acerca de los distribuidores locales, visite la sección para encontrar una sala de exposición de nuestro sitio web, [wolfappliance.com](http://wolfappliance.com).

### Primeros pasos

Sabemos que está ansioso por empezar a asar, pero antes de hacerlo, dedique un poco de tiempo a leer este manual de uso y cuidado. Si usted es un cocinero ocasional o un chef experto, se beneficiará de familiarizarse con las prácticas de seguridad, características, funcionamiento y recomendaciones de cuidado de su parrilla de gas para exteriores de Wolf.

- Para garantizar que se haya eliminado todo el aceite del proceso de fabricación, encienda las perillas de control de quemadores en HI (Alto) y deje que la parrilla se caliente durante 10 minutos con la campana cerrada. Se podrá notar un poco de humo y olor durante el período inicial de funcionamiento.
- Limpie cuidadosamente la parrilla con agua caliente y detergente suave antes de utilizarla. Enjuague y seque con un paño suave. Consulte las recomendaciones sobre el cuidado en la página 13.
- Compruebe que todos los componentes estén ensamblados correctamente.
- Los productos para exteriores de Wolf deben usarse con gas natural o gas propano líquido. Revise en la placa de datos del producto el tipo de gas de su modelo en particular. Si el electrodoméstico no corresponde al tipo de gas que usa, comuníquese con su distribuidor autorizado de Wolf.

## Funcionamiento de la parrilla

### ENCENDIDO DE LOS QUEMADORES

- 1 Abra la campana por completo. No trate de encender la parrilla con la campana cerrada. En el caso del módulo, retire la tapa.
- 2 Abra la llave de paso de suministro de gas.
- 3 Empuje la perilla de control de los quemadores y revise que brille el encendedor de la superficie caliente. Los encendedores de la superficie caliente se encuentran debajo de las rejillas de los quemadores dentro de los tubos de destellos (en el módulo, en la parte posterior del quemador). Consulte las siguientes ilustraciones.
- 4 Una vez que se verifique que haya brillo, empuje y gire la perilla de control hacia la izquierda hasta llegar a HI (ALTO). Mantenga la perilla en esta posición durante cinco segundos. Una vez que note que hay llama, suelte la perilla. Si el quemador no enciende en cinco segundos, gire la perilla a OFF (Apagado), espere cinco minutos y repita el procedimiento.
- 5 Cierre la campana y deje precalentar la parrilla hasta que la temperatura deseada aparezca en el termómetro.



Perilla de control de quemadores



Ubicación del tubo de destello

### ENCENDIDO MANUAL

Si no dispone de energía eléctrica, los quemadores de superficie también se pueden encender manualmente con un encendedor multiusos.

- 1 Abra la campana por completo. No trate de encender la parrilla con la campana cerrada. En el caso del módulo, retire la tapa.
- 2 Abra la llave de paso de suministro de gas.
- 3 Presione y gire la perilla de control hacia la izquierda hasta llegar a HI (ALTO). Mantenga la perilla en esta posición durante cinco segundos.
- 4 Introduzca el encendedor multiusos (o un fósforo sostenido con el cordón) a través de las rejillas de los quemadores y cerca de la parte superior del tubo de destello (en el caso del módulo, cerca de la parte superior del quemador). Una vez que note que hay llama, suelte la perilla. Si el quemador no enciende en cinco segundos, gire la perilla a OFF (Apagado), espere cinco minutos y repita el procedimiento.

#### ⚠ ADVERTENCIA

Durante el encendido, aleje el rostro y el cuerpo cuanto sea posible.

### Funcionamiento de la parrilla

#### ASADOS EN GENERAL

- 1 Después de encender, deje precalentar los quemadores durante 10 minutos en la configuración de calor deseada.
- 2 Coloque los alimentos en la parrilla y cocínelos hasta alcanzar la temperatura o cocción deseada, y voltéelos cuando haya transcurrido la mitad del tiempo de cocción. Ajuste la configuración de calor, si es necesario. La perilla de control de quemadores se puede configurar en cualquier posición entre HI (Alto) y LO (Bajo)
- 3 Retire los alimentos o páselos a la parrilla de calentamiento para mantenerlos calientes.
- 4 Deje enfriar la parrilla. Limpie la bandeja recolectora después de cada uso.

#### QUEMADOR DEL DORADOR INFRARROJO

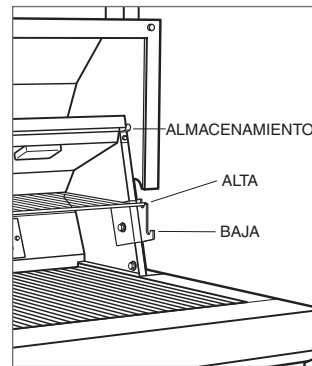
Cuando se doran filetes y otras carnes en el quemador del dorador infrarrojo antes de asarlos, se conservan los jugos deliciosos. Dore la carne rápidamente y después áselo de forma habitual sobre los quemadores de asado.

- 1 Después del encendido, deje precalentar el quemador del dorador durante 10 minutos en HI (Alto).
- 2 Dore la carne por dos minutos por cada lado y luego pásela al área de asado.

#### PARRILLA DE CALENTAMIENTO

La parrilla de calentamiento tiene tres posiciones. Caliente los alimentos en posición alta o baja o, cuando no esté en uso, coloque los ganchos en el soporte superior para guardar la parrilla. Consulte la siguiente ilustración.

En la posición alta, la parrilla de calentamiento se debe retirar y rotar 180° para colocarla en posición baja o en posición de almacenamiento. La parrilla de calentamiento se debe retirar o se debe colocar en posición de almacenamiento cuando el asador esté funcionando.



Parrilla de calentamiento

## Funcionamiento de la parrilla

### ASADOR

El asador gira los alimentos frente a un quemador infrarrojo para lograr una cocción uniforme y sabores más jugosos. Para reducir el tiempo de cocción, se puede utilizar calor radiante adicional de los quemadores externos de la parrilla en LO (Bajo). La campana debe estar cerrada. Los puede utilizar para asar grandes trozos y pollos enteros.

Cuando no lo utilice, debe guardar el motor del asador en un área protegida.

- 1 Instale el motor del asador en su soporte y conéctelo a un tomacorriente.
- 2 Inserte los alimentos en el espetón y asegúrelos con las horquillas metálicas por ambos lados y apriete los tornillos manuales. Asegúrese de que el peso de los alimentos esté distribuido de manera uniforme.
- 3 Introduzca el espetón en el motor del asador en la posición que desee.
- 4 Coloque la bandeja de recolección de jugos debajo de los alimentos para recoger el líquido.
- 5 Presione y gire la perilla del asador hacia la izquierda hasta llegar a HI (ALTO). El encendedor del asador se encuentra en el panel posterior junto al quemador del asador. Consulte la siguiente ilustración.
- 6 Cierre la campana y deje precalentar el quemador del asador durante 10 minutos en la configuración de calor deseada.
- 7 Coloque el espetón con los alimentos en el motor del asador. Deje cocer hasta alcanzar la temperatura o la cocción deseada.
- 8 Para retirar el espetón, levántelo levemente sobre el motor del asador y hálelo.



Encendedor del asador

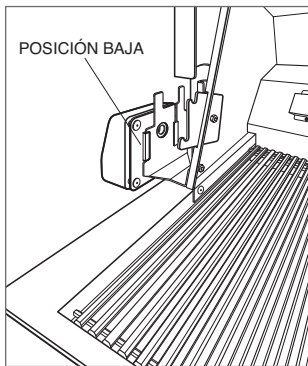


## Funcionamiento de la parrilla

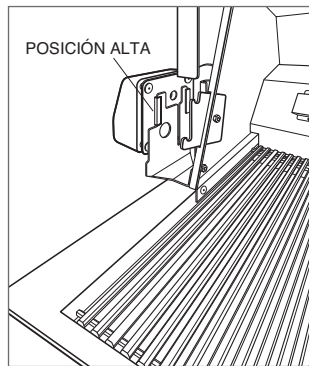
### POSICIÓN DEL ASADOR

El asador de dos posiciones le permite cocinar alimentos de tamaños diferentes a la distancia adecuada del quemador del asador infrarrojo. La carga máxima es de 25 lb (11 Kg).

- 1 Instale el motor del asador en posición baja para cargas grandes o en posición alta para cargas pequeñas. Consulte las siguientes ilustraciones. Los orificios de acople del motor se alinean con la muesca de los soportes del espetón en posición baja y la muesca superior en posición alta.
- 2 Introduzca el espetón en el orificio de acople del motor y coloque el espetón en la muesca correspondiente de cada soporte.
- 3 Para cargas grandes, retire las rejillas de los quemadores y coloque la bandeja de recolección de jugos sobre las bandejas de briquetas para recoger las gotas que caigan. Para cargas pequeñas, coloque la bandeja de jugos sobre las rejillas de los quemadores.



Posición baja del asador



Posición alta del asador

### CAJA DE AHUMADO

En la caja de ahumado sellada que se incluye con la parrilla, se pueden colocar trozos de madera humedecidos para que el humo mejore el sabor de los alimentos. La caja de ahumado se puede curvar un poco con el calor, pero volverá a su forma original después de enfriarse.

- 1 Retire una de las secciones de la rejilla de los quemadores y deslice las otras secciones a un lado para que quede expuesto el centro. Retire una de las bandejas de briquetas de tamaño medio del centro.
- 2 Coloque la caja de ahumado en el lugar de la bandeja de briquetas. La caja de ahumado se alineará por encima del quemador. Para obtener los mejores resultados, centre la caja de ahumado en la parrilla.
- 3 Coloque trozos de madera humedecida en la caja de ahumado.
- 4 Gire la perilla de control del quemador hasta HI debajo de la caja de ahumado. Una vez que comience a salir humo, encienda el calor según la configuración deseada.
- 5 Coloque la sección de parrillas de quemadores en la caja de ahumado y los alimentos directamente sobre la parrilla.
- 6 Cada 30 a 45 minutos, deslice la sección de parrillas a un lado para acceder a la caja de ahumado. Remueva los trozos de madera y agregue más si es necesario.
- 7 Cocine los alimentos hasta lograr la temperatura, la cocción o el sabor ahumado que desea.

#### ⚠ PRECAUCIÓN

No utilice la caja de ahumado sobre el quemador del dorador infrarrojo.

### Luces de la parrilla

Las parrillas de gas para exteriores vienen con luces halógenas interiores y luces LED en las perillas de control para asados nocturnos.

Enciendas y apague las luces interiores y de las perillas con el botón que se encuentra en el panel frontal de la parrilla. Las luces interiores se apagan automáticamente cuando la campana se cierra pero las luces de las perillas de control seguirán encendidas.

Las luces interiores requieren bombillas halógenas de 10W tipo G4, y se pueden conseguir en un distribuidor autorizado de Wolf. Para obtener más información acerca de los distribuidores locales, visite la sección para encontrar una sala de exposición de nuestro sitio web, [wolfappliance.com](http://wolfappliance.com).

### REEMPLAZO DE BOMBILLAS

**AVISO IMPORTANTE:** Use toallas de papel cuando manipule bombillas halógenas de repuesto para evitar que el aceite de los dedos entre en contacto con la bombilla. En caso contrario, se reducirá la vida útil de la bombilla.

- 1 Desconecte la bombilla del tomacorriente eléctrico y deje enfriar la bombilla halógena antes de reemplazarla.
- 2 Retire la cubierta de la bombilla empujando uno de los soportes laterales con un destornillador.
- 5 Retire la bombilla halógena vieja halándola en línea recta.
- 6 Use una toalla de papel para manipular la nueva bombilla halógena e introdúzcala en el receptáculo de forma segura y sustituya la cubierta.

#### **⚠ PRECAUCIÓN**

Tenga cuidado cuando manipule bombillas. Las bombillas halógenas se calientan al instante y las partes adyacentes pueden retener el calor.

## Recomendaciones sobre el cuidado

### LIMPIEZA

|   |   |
|---|---|
| <p><b>Acero inoxidable</b></p>                              | <p>Después de que se enfríe la parrilla, use un limpiador no abrasivo para acero inoxidable y aplique con un paño suave sin pelusa. Para resaltar el lustre natural, limpie suavemente la superficie con una tela de microfibra humedecida con agua, seguida con una gamuza para pulir en seco. Siempre siga la dirección del acabado del acero inoxidable. Los residuos pegados se pueden remover con una almohadilla abrasiva suave y limpiador para acero inoxidable. No utilice lana de acero. Es normal que el acero inoxidable de ciertas áreas se decolore debido al calor intenso producido por los quemadores.</p> |
| <p><b>Interior de la parrilla</b></p>                       | <p>Encienda todos los quemadores de la parrilla en HI (Alto) (incluido el del dorador, pero no el del asador). Deje que la parrilla se caliente durante 10 a 12 minutos con la campana cerrada. Apague las hornillas y deje que la parrilla se enfríe por completo. Retire las rejillas de los quemadores y las bandejas de briquetas. Cubra los tubos de los quemadores y el quemador del dorador infrarrojo con una envoltura plástica y limpie el interior con limpiador de hornos, de acuerdo con las instrucciones.</p>  |
| <p><b>Rejillas de quemadores</b></p>                        | <p>Mientras las rejillas estén calientes, refriegue con un cepillo de parrilla y agua. El vapor generado liberará las partículas de comida en la bandeja de briquetas y la bandeja recolectora. No limpie la sección de rejillas de los quemadores mientras esté sobre el quemador del dorador infrarrojo. El quemador del dorador no debe entrar en contacto con líquidos. Las rejillas se pueden rotar para limpiarlas.</p>   |
| <p><b>Quemadores de la parrilla</b></p>                     | <p>Revise periódicamente que no haya arañas, insectos u otras obstrucciones en los quemadores la parrilla. Retire las obstrucciones.</p> <p><b>AVISO IMPORTANTE:</b> Arañas y otros insectos pueden anidarse en los quemadores y generar un peligro de incendio y dañar la parrilla.</p>  |
| <p><b>Quemador del dorador infrarrojo</b></p>               | <p>Limpie la pantalla protectora del quemador del dorador y retire periódicamente las partículas atrapadas. Para evitar daños en los azulejos de cerámica, no permita que el quemador del dorador infrarrojo entre en contacto con líquidos. No coloque bandejas de briquetas sobre el quemador del dorador.</p>  |
| <p><b>Briquetas cerámicas<br/>Bandejas de briquetas</b></p> | <p>Encienda todos los quemadores de la parrilla en HI (Alto) (incluido el del dorador, pero no el del asador). Deje que la parrilla se caliente durante 10 a 12 minutos con la campana cerrada. Apague las hornillas y deje que la parrilla se enfríe por completo. Retire las bandejas de briquetas y limpie con un paño.</p>  |
| <p><b>Caja de ahumado</b></p>                               | <p>Después de que se enfríe la parrilla, retire la caja de ahumado, vacíela y límpiela con agua caliente y detergente suave.</p>  |
| <p><b>Bandeja recolectora</b></p>                           | <p>Después de que se enfríe la parrilla, saque la bandeja recolectora deslizándola y límpiela con un paño. Para evitar que la grasa se encienda, debe limpiar la bandeja recolectora después de cada uso.</p>   |

### Resolución de problemas

#### Los quemadores no encienden.

- Presione la perilla de control de los quemadores y verifique que el encendedor brille.
- Compruebe que la alimentación eléctrica a la parrilla y el interruptor de circuito de la casa estén encendidos.
- Verifique que el GFCI no se haya disparado.
- Purgue la línea de aire atrapado.
- Si no hay una fuente eléctrica, los quemadores se pueden encender manualmente. Consulte la página 8.

#### El encendedor de superficie caliente no funciona.

- Compruebe que la alimentación eléctrica a la parrilla y el interruptor de circuito de la casa estén encendidos.
- Verifique que el GFCI no se haya disparado.

#### Los quemadores no se calienten adecuadamente.

- Verifique que el suministro de gas sea adecuado.
- Revise que la línea de suministro de gas no esté doblada ni retorcida.
- Precaliente los quemadores durante 10 minutos.
- Revise que no haya arañas, insectos u otras obstrucciones en los quemadores la parrilla.

#### **▲ ADVERTENCIA**

Arañas y otros insectos pueden anidarse en los quemadores y generar un peligro de incendio y dañar la parrilla.

#### La llama del quemador se extingue.

- Verifique que el suministro de gas sea adecuado.
- Se hay viento, bloquee el flujo de aire.

#### Huele a gas.

- Comuníquese con un centro de servicio autorizado de Wolf o el proveedor de gas para que revisen fugas de gas.

#### Hay muchos estallidos de llamas.

- Limpie las rejillas de los quemadores.
- Exceso de grasa o de carne o de la temperatura de cocción.

#### Las luces interiores o de las perillas de control no funcionan.

- Compruebe que la alimentación eléctrica a la parrilla y el interruptor de circuito de la casa estén encendidos.
- Verifique que el GFCI no se haya disparado.
- Es posible que deba reemplazar la bombilla interior.

#### SERVICIO

- Para mantener la calidad incorporada en su producto, póngase en contacto con el servicio certificado de fábrica de Wolf. Para obtener los datos del centro de servicio autorizado de Wolf más cercano, consulte la sección de Soporte y Servicio de nuestro sitio web, [wolfappliance.com](http://wolfappliance.com) o llame a la línea de atención al cliente de Wolf al 800-222-7820.
- Al comunicarse con el servicio, necesitará el modelo y número de serie de su producto. Los dos números también aparecen en la placa de datos del producto. Consulte la página 6 para encontrar la placa de datos.
- Para fines de la garantía, usted también necesitará la fecha de instalación y el nombre de su distribuidor autorizado de Wolf. Esta información debe estar registrada en la página 3 de este manual.

## Garantía limitada de Wolf Appliance para exteriores\*

PARA USO RESIDENCIAL

### GARANTÍA COMPLETA DE UN AÑO\*\*

Durante un año a partir de la fecha de la instalación original, la garantía de su producto Wolf Appliance cubre todas las partes y mano de obra para reparar o reemplazar, bajo el uso residencial normal, cualquier parte del producto que se compruebe estar defectuosa en material o mano de obra. Todos los servicios proporcionados por Wolf Appliance bajo la garantía anterior deben ser ejecutados por servicios certificados de fábrica de Wolf, a menos que Wolf Appliance, Inc. lo especifique de otra manera. El Servicio será proporcionado durante el horario comercial normal.

### GARANTÍA LIMITADA DE CINCO AÑOS

Durante cinco años a partir de la fecha de la instalación original, Wolf Appliance reparará o reemplazará los siguientes componentes que se comprueben estar defectuosos en material o mano de obra: bandejas de briquetas de acero inoxidable, llaves de gas, bandejas recolectoras, tableros de control electrónico y elementos eléctricos de calentamiento. Si el propietario utiliza el servicio certificado de fábrica de Wolf, el prestador del servicio reparará o reemplazará estas partes mediante el pago de todos los otros costos, incluyendo mano de obra, a cargo del propietario. Si el propietario utiliza un servicio no certificado, debe ponerse en contacto con Wolf Appliance, Inc. (utilizando la información anotada más adelante) para recibir los componentes reparados o de reemplazo. Wolf Appliance no reembolsará al propietario los importes correspondientes a componentes comprados a un servicio no certificado o a otras fuentes.

### GARANTÍA PERPETUA LIMITADA

Durante la vida útil del producto, Wolf Appliance reparará o reemplazará los siguientes componentes que se comprueben estar defectuosos en material o mano de obra: todos los componentes de acero inoxidable (excepto corrosión de superficies, rayones, decoloración, manchas causadas por las condiciones meteorológicas y atmosféricas y corrosión y oxidación menor de la superficie). Si el propietario utiliza el servicio certificado de fábrica de Wolf, el prestador del servicio reparará o reemplazará estas partes mediante el pago de todos los otros costos, incluyendo mano de obra, a cargo del propietario. Si el propietario utiliza un servicio no certificado, debe ponerse en contacto con Wolf Appliance, Inc. (utilizando la información anotada más adelante) para recibir los componentes reparados o de reemplazo. Wolf Appliance no reembolsará al propietario los importes correspondientes a componentes comprados a un servicio no certificado o a otras fuentes.

### TÉRMINOS APLICABLES A CADA GARANTÍA

La garantía se aplica solamente a los productos instalados para uso residencial normal. La garantía se aplica solamente a los productos instalados en cualquiera de los cincuenta estados de los Estados Unidos, el Distrito de Columbia o las diez provincias de Canadá. Esta garantía no cubre las partes o mano de obra para corregir cualquier defecto causado por negligencia, accidente o uso, mantenimiento, instalación, servicio o reparación inadecuados.

**LOS RECURSOS DESCRITOS ANTERIORMENTE PARA CADA GARANTÍA SON LOS ÚNICOS QUE WOLF APPLIANCE, INC. PROPORCIONARÁ, YA SEA BAJO ESTA GARANTÍA O BAJO CUALQUIER GARANTÍA QUE RESULTE DE LA APLICACIÓN DE LA LEY. WOLF APPLIANCE, INC. NO SE HACE RESPONSABLE POR LOS DAÑOS INDIRECTOS O INCIDENTALES DERIVADOS DE LA VIOLACIÓN DE ESTA GARANTÍA O CUALQUIER OTRA GARANTÍA, YA SEA EXPRESA, IMPLÍCITA O LEGAL.**

Algunos estados no permiten la exclusión o limitación de daños incidentales o consecuentes, por lo tanto la limitación o exclusión anterior podrían no aplicarse en su caso. Esta garantía le otorga derechos legales específicos, y usted también puede tener otros derechos legales que varían entre estados.

Para recibir las partes o el servicio y el nombre del servicio certificado de fábrica de Wolf más cercano a usted, póngase en contacto con Wolf Appliance, Inc., P.O. Box 44848, Madison, WI 53744; Verifique la sección de Soporte y Servicio de nuestro sitio web, wolfappliance.com, envíenos un correo electrónico a customerservice@subzero.com o llame al 800-222-7820.

\*El producto debe estar aprobado para uso al aire libre, designado por modelo y número de serie.

\*\*Las puertas, paneles, manijas, estructuras de acero inoxidable y superficies internas están cubiertas por una garantía limitada de 60 días sobre piezas y mano de obra, por defectos cosméticos.



## Table des matières

- 4 Précautions de sécurité
- 6 Caractéristiques du gril au gaz pour l'extérieur
- 8 Fonctionnement du gril
- 12 Recommandations d'entretien
- 14 Dépannage
- 15 Garantie de Wolf

## Service à la clientèle

Le numéro de modèle et le numéro de série sont imprimés sur la fiche d'enregistrement du produit ci-jointe. Les deux numéros sont aussi indiqués sur la plaque signalétique du produit. Reportez-vous à la page 6 pour connaître l'emplacement de la plaque signalétique. Pour les besoins de la garantie, vous devrez aussi avoir la date d'installation et le nom de votre dépositaire Wolf autorisé. Inscrivez ces renseignements ci-dessous pour consultation ultérieure.

### RENSEIGNEMENTS SUR LE SERVICE

Numéro de modèle

Numéro de série

Date de l'installation

Nom du service certifié

Numéro du service certifié

Dépositaire autorisé

Numéro du dépositaire

Si votre produit a besoin d'être réparé, assurez-vous d'utiliser un fournisseur de service certifié par l'usine Wolf recommandé par notre centre de service à la clientèle, ou sélectionnez-en un parmi la liste de fournisseurs disponibles à [wolfappliance.com/locator](http://wolfappliance.com/locator). Tous les fournisseurs de service certifiés par l'usine sont soigneusement sélectionnés et rigoureusement formés par nous.

## Remarque importante

Pour s'assurer que ce produit est installé et utilisé en toute sécurité et aussi efficacement que possible, prenez note des types de renseignement mis en évidence tout au long de ce guide :

**REMARQUE IMPORTANTE** met en évidence des renseignements qui sont particulièrement importants.

**MISE EN GARDE** indique une situation où une blessure mineure ou des dommages au produit peuvent se produire si les directives ne sont pas respectées.

**AVERTISSEMENT** décrit un danger qui peut causer une blessure grave ou la mort si les précautions ne sont pas respectées.

**REMARQUE IMPORTANTE** : tout au long de ce guide, les dimensions entre parenthèses sont en millimètres à moins d'indication contraire.

## DIRECTIVES IMPORTANTES

### ⚠ AVERTISSEMENT

Si les renseignements se trouvant dans ce manuel ne sont pas respectés à la lettre, un incendie ou une explosion peuvent se produire causant ainsi des dommages matériels, des blessures ou la mort.

### QUOI FAIRE SI VOUS SENTEZ DU GAZ :

- Fermez l'alimentation en gaz vers l'appareil.
- Éteignez toute flamme nue.
- Ouvrez le capot ou retirez le couvercle.
- Si l'odeur persiste, restez loin de l'appareil et communiquez immédiatement avec votre fournisseur de gaz ou les pompiers.

### POUR VOTRE SÉCURITÉ :

- Ne rangez pas et n'utilisez pas de l'essence ou d'autres vapeurs ou liquides inflammables à proximité de cet appareil ou de tout autre appareil.
- Une bonbonne de GPL non reliée pour l'utilisation ne doit pas être rangée à proximité de cet appareil ou de tout autre appareil.
- Gardez tout cordon d'alimentation électrique et la conduite d'alimentation du combustible loin de toute surface chauffée.

### POUR UNE UTILISATION À L'EXTÉRIEUR SEULEMENT :

S'il est entreposé à l'intérieur, retirez et laissez la bonbonne de GPL à l'extérieur.

### AVANT D'ALLUMER :

- Lisez toutes les directives avant d'allumer.
- Ouvrez le capot ou retirez le couvercle avant d'allumer.
- Si l'allumage ne se produit pas dans cinq secondes, mettez le(s) bouton(s) du brûleur à arrêt, attendez cinq minutes, puis répétez la procédure d'allumage.

- Lisez ce guide d'utilisation et d'entretien attentivement avant d'utiliser votre produit pour l'extérieur afin de réduire le risque d'incendie, de choc électrique ou de blessures.
- L'installation doit être effectuée par un installateur qualifié, une agence de service ou le fournisseur de gaz.
- Le service de garantie doit être effectué par un centre de service Wolf certifié par l'usine.
- Assurez-vous que le produit extérieur est correctement installé et relié au type de gaz pour lequel votre unité a été conçue. N'utilisez pas du charbon de bois ou d'autres matériaux dans votre produit pour l'extérieur.
- Assurez-vous que le produit pour l'extérieur est relié à une prise électrique à disjoncteur de fuite de terre correctement mise à la terre de 120 volts CA.
- Demandez à l'installateur de vous montrer où se trouve le robinet d'arrêt du gaz afin que vous puissiez fermer l'alimentation en gaz en cas d'urgence.
- S'il y a une odeur de gaz, les connexions de gaz peuvent ne pas être correctement scellées ou il est possible qu'il y ait une fuite de gaz. La détermination de l'emplacement de la fuite de gaz doit être effectuée par un technicien de service Wolf certifié par l'usine ou le fournisseur de gaz.

### ⚠ AVERTISSEMENT

Les produits pour l'extérieur de Wolf sont conçus pour être utilisés à l'extérieur seulement! N'utilisez pas dans des endroits fermés. Cela pourrait créer une accumulation de monoxyde de carbone et entraîner des blessures ou la mort.



# DIRECTIVES IMPORTANTES

## PRÉCAUTIONS DE SÉCURITÉ GÉNÉRALE

- L'installation de cet appareil doit se conformer aux codes locaux ou, en l'absence de codes locaux, au code national du gaz combustible, ANZI Z223.1/NFPA 54 ou au code d'installation du gaz naturel, CAN/CGA-B149.1 ou au code d'installation du gaz propane, CAN/CGA-B149.2.
- Un dégagement minimum de 12 po (305) de l'arrière et des côtés du gril jusqu'à la construction combustible adjacente doit être maintenu. Cet appareil de cuisson au gaz pour l'extérieur ne doit pas se trouver sous une construction combustible suspendue non protégée.
- L'utilisation d'une source électrique externe exige que, lorsqu'il est installé, cet appareil de cuisson au gaz pour l'extérieur soit mis à la terre électriquement conformément aux codes locaux ou, en l'absence de codes locaux, au Code national de l'électricité, ANSI/NFPA 70 ou au Code canadien de l'électricité, CSA C22.1. Gardez tout cordon d'alimentation électrique ou le cordon du moteur de la rôtissoire et la conduite d'alimentation en combustible loin de toute surface chauffée.
- Il est critique que les brûleurs au gaz soient correctement installés en gardant leurs orifices à l'intérieur des obturateurs d'air. S'ils ne sont pas correctement installés, du gaz peut fuir à l'extérieur du brûleur, ce qui pourrait entraîner un incendie, des dommages possibles à votre gril et des blessures.
- Lorsque vous choisissez une zone pour le gril, qu'il s'agisse d'une application portable ou encastrée, considérez l'exposition au vent, la proximité aux voies de circulation et la longueur de la conduite d'alimentation en gaz.
- La bonbonne de GPL doit être débranchée lorsqu'elle n'est pas utilisée.
- Cet appareil de cuisson au gaz pour l'extérieur n'est pas conçu pour être installé dans des véhicules de plaisance ou sur des bateaux.
- Ne bloquez pas le débit d'air de combustion et de ventilation vers cet appareil. Gardez les ouvertures de ventilation de l'enceinte de la bonbonne libres et exemptes de débris.
- Vérifiez que les connexions de gaz ne fuient pas avec une solution d'eau savonneuse et un pinceau. N'utilisez jamais une flamme nue. Reportez-vous au guide d'installation du gril au gaz pour l'extérieur pour connaître la procédure d'épreuve d'étanchéité.
- Avant chaque utilisation, assurez-vous que les tuyaux flexibles n'ont pas de coupures et qu'ils ne sont pas usés, ce qui pourrait affecter la sécurité.
- N'allumez jamais le produit pour l'extérieur lorsque le couvercle est en place.
- N'utilisez jamais le gril si la cuvette d'égouttement n'est pas installée et poussée jusqu'au fond du gril.
- Ne remplissez jamais la bonbonne de GPL au-delà de 80 %.

### ⚠ AVERTISSEMENT

#### PROPOSITION 65 POUR RESIDENTS DE LA CALIFORNIE

Cancer et Troubles de l'appareil reproducteur—  
[www.P65Warnings.ca.gov](http://www.P65Warnings.ca.gov)

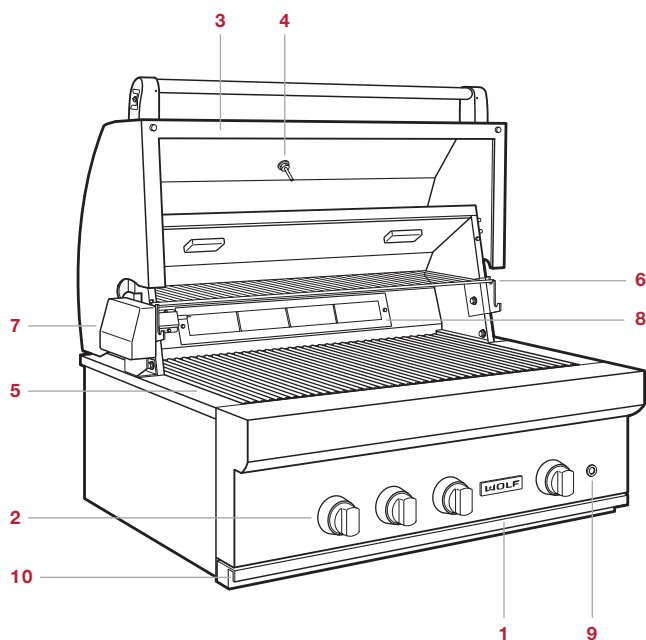
## COMMONWEALTH DU MASSACHUSETTS

- Les installations et les réparations doivent être effectuées par un entrepreneur ou un plombier qualifié ou autorisé ou un monteur d'installation au gaz qualifié ou autorisé par l'État, la province ou la région où cet appareil sera installé.
- Utilisez seulement des robinets d'arrêt du gaz approuvés pour utilisation dans l'État, la province ou la région où cet appareil sera installé.
- Si un connecteur de gaz souple est utilisé, il ne doit pas dépasser 3 pi (0,9 m) de longueur.

## Caractéristiques du gril au gaz

### CARACTÉRISTIQUES

|    |  |
|----|--|
| 1  | Plaque signalétique du produit                     |
| 2  | Bouton de commande                                 |
| 3  | Capot  |
| 4  | Thermomètre  |
| 5  | Grilles du brûleur                                 |
| 6  | Grille de réchauffage                              |
| 7  | Moteur de la rôtissoire                            |
| 8  | Brûleur de la rôtissoire                           |
| 9  | Bouton d'éclairage pour l'intérieur et les boutons |
| 10 | Cuvette d'égouttement                              |

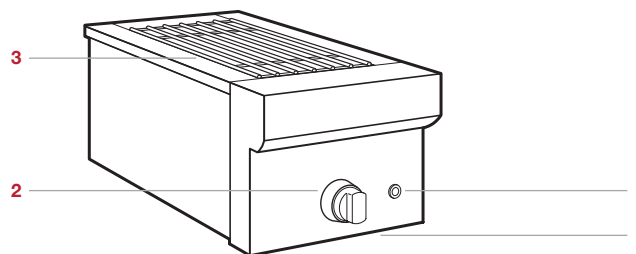


Gril au gaz pour l'extérieur (modèle OG36 illustré)

## Caractéristiques du module pour l'extérieur

### CARACTÉRISTIQUES

|   |  |
|---|--|
| 1 | Plaque signalétique du produit                     |
| 2 | Bouton de commande                                 |
| 3 | Grilles du brûleur                                 |
| 4 | Bouton d'éclairage des boutons (module du brûleur) |



Module pour l'extérieur (module à brûleur illustré)

### Grils et modules pour l'extérieur

Pour les applications portatives, les chariots de gril Wolf sont conçus spécifiquement pour convenir aux modèles OG30, OG36 et OG42 et le brûleur latéral. Le modèle OG54 est conçu pour les applications encastrées seulement.

Les grils et le module à brûleur pour l'extérieur de Wolf sont conçus pour être facilement placés dans une enceinte encastrée. Pour les grils pour l'extérieur, l'installation dans une enceinte combustible nécessite une doublure isolante. Pour le module à brûleur, une doublure isolante n'est pas requise.

Pour les applications encastrées, des portes et des tiroirs en acier inoxydable sont offerts par les dépositaires Wolf autorisés. Pour obtenir des renseignements sur le dépositaire local, visitez la section salle d'exposition de notre site Web, [wolfappliance.com](http://wolfappliance.com).

### Comment commencer

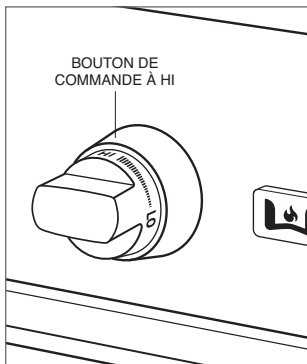
Nous savons que vous êtes impatient de commencer à griller, mais avant de le faire, veuillez prendre quelques instants pour lire ce guide d'utilisation et d'entretien. Que vous soyez un cuisinier occasionnel ou un chef expert, il vous sera bénéfique de vous familiariser avec les pratiques de sécurité, les fonctions, le fonctionnement et les recommandations d'entretien de votre gril au gaz pour l'extérieur de Wolf.

- Pour s'assurer que toute l'huile résiduelle du processus de fabrication a été éliminée, tournez les boutons de commande du brûleur à HI (élevé) et laissez le gril chauffer pendant 10 minutes avec le capot fermé. Vous pourrez remarquer une petite quantité de fumée et une odeur lors de la période initiale de rodage.
- Nettoyez le gril à fond avec de l'eau chaude et un détergent doux avant de l'utiliser. Rincez et séchez avec un chiffon doux. Reportez-vous aux conseils d'entretien à la page 13.
- Vérifiez que tous les composants soient correctement assemblés.
- Les produits pour l'extérieur de Wolf sont fabriqués pour être utilisés avec du gaz naturel ou du gaz de pétrole liquéfié. Vérifiez la plaque signalétique du produit pour connaître le type de gaz utilisé par votre modèle précis. Si cet appareil ne correspond pas à votre type de gaz, communiquez avec votre dépositaire Wolf autorisé.

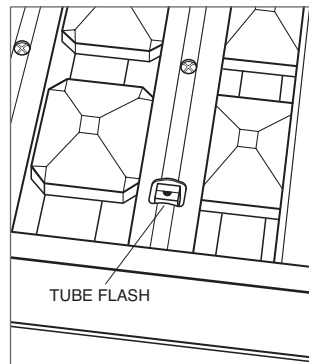
### Fonctionnement du grill

#### ALLUMAGE DU BRÛLEUR

- 1 Ouvrez le capot complètement. Ne tentez pas d'allumer le grill lorsque le capot est fermé. Pour le module, retirez le couvercle.
- 2 Ouvrez le robinet d'arrêt d'alimentation en gaz.
- 3 Poussez le bouton de commande du brûleur et vérifiez que l'allumeur de surface chaude luit. Les allumeurs de surface chaude sont situés sous les grilles de brûleur à l'intérieur des tubes flash (pour le module, à l'arrière du brûleur). Reportez-vous aux illustrations ci-dessous.
- 4 Après avoir vérifié la lueur, poussez et tournez le bouton de commande dans le sens antihoraire jusqu'à la position HI (élevé). Tenez le bouton pendant cinq secondes. Lorsque la flamme est visible, relâchez le bouton. Si le brûleur ne s'allume pas dans un délai de cinq secondes, tournez le bouton jusqu'à OFF (arrêt), attendez cinq minutes, puis répétez la procédure d'allumage.
- 5 Fermez le capot et laissez le grill se préchauffer jusqu'à ce que la température désirée soit affichée sur le thermomètre.



Bouton de commande du brûleur



Emplacement du tube flash

#### ALLUMAGE MANUEL

Si l'alimentation électrique n'est pas disponible, les brûleurs en surface peuvent être allumés manuellement au moyen d'un allumoir tout-usage.

- 1 Ouvrez le capot complètement. Ne tentez pas d'allumer le grill lorsque le capot est fermé. Pour le module, retirez le couvercle.
- 2 Ouvrez le robinet d'arrêt d'alimentation en gaz.
- 3 Poussez et tournez le bouton de commande dans le sens antihoraire jusqu'à HI (élevé). Tenez le bouton pendant cinq secondes.
- 4 Insérez l'allumoir tout-usage (ou une allumette tenue par le cordon fourni) à travers les grilles de brûleur et près de la partie supérieure du tube flash (pour le module, près de la partie supérieure du brûleur). Lorsque la flamme est visible, relâchez le bouton. Si le brûleur ne s'allume pas dans un délai de cinq secondes, tournez le bouton jusqu'à OFF (arrêt), attendez cinq minutes, puis répétez la procédure d'allumage.

#### ⚠ AVERTISSEMENT

Lors de l'allumage, gardez toujours votre visage et votre corps aussi loin que possible.

### Fonctionnement du gril

#### GRILLAGE GÉNÉRAL

- 1 Après l'allumage, laissez les brûleurs du gril se réchauffer pendant 10 minutes au réglage de chaleur désiré.
- 2 Placez les aliments sur le gril et cuisez jusqu'à la température ou la cuisson désirées, en retournant les aliments à mi-chemin durant la durée de la cuisson. Ajustez le réglage de la chaleur si nécessaire. Le bouton de commande des brûleurs peut être réglé à toute position entre HI (élevé) et LO (faible).
- 3 Retirez les aliments ou transférez-les sur la grille de réchauffage pour les garder au chaud.
- 4 Laissez le gril se refroidir. Nettoyez la cuvette d'égouttement après chaque utilisation.

#### BRÛLEUR DE SAISIE INFRAROUGE

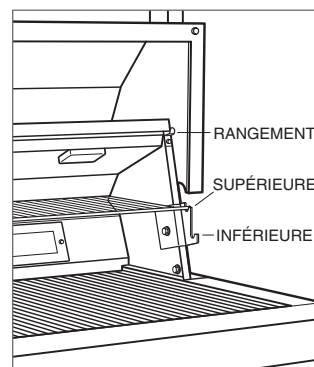
Saisir des steaks ou d'autres viandes sur le brûleur de saisie infrarouge pour commencer le grillage aide à sceller les jus savoureux. Saisissez les viandes rapidement, puis continuez à griller normalement sur les brûleurs du gril.

- 1 Après l'allumage, laissez le brûleur de saisie infrarouge se réchauffer pendant 10 minutes à HI (élevé).
- 2 Saisissez la viande pendant deux minutes au plus de chaque côté, puis déplacez les aliments vers la zone de grillage.

#### GRILLE DE RÉCHAUFFAGE

La grille de réchauffage possède trois positions. Réchauffez les aliments dans la position élevée ou basse, ou lorsqu'elle n'est pas utilisée, placez sur les crochets de soutien supérieurs en position de rangement. Reportez-vous à l'illustration ci-dessous.

De la position supérieure, la grille de réchauffage doit être retirée et pivotée de 180° pour la position inférieure et la position de rangement. La grille de réchauffage doit être enlevée ou se trouver en position de rangement durant le fonctionnement de la rôtissoire.



Grille de réchauffage

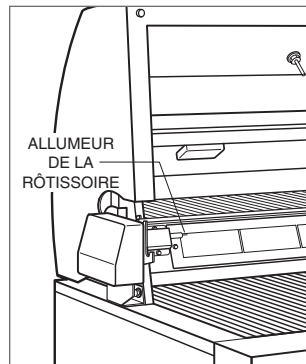
### Fonctionnement du grill

#### GRILLAGE AVEC RÔTISSOIRE

La rôtissoire pivote les aliments devant un brûleur infra-rouge pour une cuisson uniforme et une saveur encore plus juteuse. Une chaleur rayonnante supplémentaire provenant des brûleurs externes du grill au réglage LO (faible) peut être utilisée pour accélérer la durée de cuisson. Le capot doit être fermé. Utilisez pour griller de gros rôtis et de la volaille entière.

Lorsqu'il n'est pas utilisé, le moteur de la rôtissoire doit être rangé dans un endroit protégé.

- 1 Installez le moteur de la rôtissoire sur le support du moteur et branchez-le dans la prise électrique.
- 2 Insérez les aliments au milieu de la broche et sécurisez-les avec des fourchettes à viande aux deux extrémités en serrant les vis à oreilles. Assurez-vous de répartir les aliments uniformément.
- 3 Insérez la broche dans le moteur de la rôtisserie à la position désirée.
- 4 Placez le plateau à badigeonner sous les aliments pour capter les écoulements.
- 5 Poussez et tournez le bouton de la rôtissoire dans le sens antihoraire jusqu'à HI (élevé). L'allumeur de la rôtissoire est situé sur le panneau arrière à côté du brûleur de la rôtissoire. Reportez-vous à l'illustration ci-dessous.
- 6 Fermez le capot et laissez le brûleur de la rôtissoire se réchauffer pendant 10 minutes au réglage de chaleur désiré.
- 7 Placez la broche avec les aliments dans le moteur de la rôtissoire. Cuisez jusqu'à la température ou la cuisson désirées.
- 8 Pour retirer la broche, soulevez légèrement le moteur de la rôtissoire et tirez la broche vers l'extérieur.



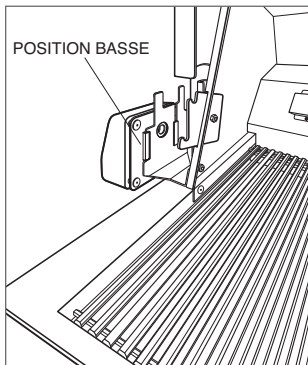
Allumeur de la rôtissoire

### Fonctionnement du grill

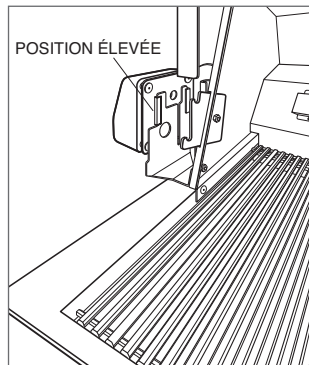
#### POSITION DE LA RÔTISSOIRE

La rôtissoire à deux positions permet aux aliments de différentes tailles de cuire à une distance appropriée du brûleur infrarouge de la rôtissoire. La charge maximale est de 25 lb (11 kg).

- 1 Installez le moteur de la rôtissoire à la position inférieure pour les charges importantes ou à la position supérieure pour les petites charges. Reportez-vous aux illustrations ci-dessous. Le trou de culot du moteur s'alignera avec l'encoche inférieure des sellettes à la position inférieure et l'encoche supérieure à la position supérieure.
- 2 Insérez la broche dans le trou de culot du moteur et placez la broche sur l'encoche appropriée de chaque sellette.
- 3 Pour les charges importantes, retirez les grilles de brûleur et placez le plateau à badigeonner sur les plateaux de briquettes pour capter les jus de cuisson. Pour les petites charges, placez le plateau à badigeonner sur la partie supérieure des grilles de brûleur.



Position inférieure de la rôtissoire



Position supérieure de la rôtissoire

#### FUMOIR

Le fumoir scellé compris avec le grill peut contenir des copeaux de bois trempés pour rehausser la saveur des aliments à la fumée. Le fumoir peut se gauchir légèrement avec la chaleur, mais il reprendra sa forme originale lorsqu'il se refroidira.

- 1 Retirez une section de grille de brûleur et glissez les sections restantes vers le côté afin que le centre soit exposé. Retirez un plateau de briquettes central demi-format sans tube flash.
- 2 Placez le fumoir au lieu du plateau à briquettes. Le fumoir s'alignera au-dessus du brûleur. Pour obtenir de meilleurs résultats, centrez le fumoir dans le grill.
- 3 Ajoutez des copeaux de bois trempés au fumoir.
- 4 Tournez le bouton de commande du brûleur sous le fumoir jusqu'à HI (élevé). Lorsque de la fumée apparaît, réglez à la chaleur désirée.
- 5 Placez la section de grille de brûleur sur le fumoir et placez les aliments directement sur la grille.
- 6 À toutes les 30 à 45 minutes, glissez la section de grille de côté pour accéder au fumoir. Remuez les copeaux de bois et ajoutez-en d'autres si nécessaire.
- 7 Cuisez les aliments jusqu'à la température, la cuisson ou le goût de fumée désirés.

#### ⚠ MISE EN GARDE

N'utilisez pas le fumoir sur le brûleur de saisie infrarouge.

## Lumières du grill

Les grills au gaz pour l'extérieur de Wolf sont munis de lumières halogènes intérieures et de lumières à DEL sur les boutons de commande afin de pouvoir griller le soir.

Pour allumer les lumières intérieures et les lumières des boutons de commande, poussez le bouton situé sur le panneau avant du grill. Les lumières intérieures s'éteignent automatiquement lorsque le capot est fermé, mais les lumières des boutons de commande demeurent allumées.

Les lumières intérieures nécessitent des ampoules halogènes de 10 watts de type G4 qui sont offertes par les dépositaires Wolf autorisés. Pour obtenir des renseignements sur le dépositaire local, visitez la section salle d'exposition de notre site Web, [wolfappliance.com](http://wolfappliance.com).

## REPLACEMENT DES AMPOULES

**REMARQUE IMPORTANTE :** utilisez un essuie-tout pour manipuler l'ampoule halogène de rechange pour empêcher l'huile de vos doigts d'entrer en contact avec l'ampoule. Le non-respect de cette directive réduira la durée utile de l'ampoule.

- 1 Débranchez le grill de la prise électrique et laissez l'ampoule halogène se refroidir avant de la remplacer.
- 2 Retirez le verre de protection de la lumière en poussant vers l'intérieur un des supports de retenue latéraux avec un tournevis.
- 5 Retirez l'ancienne ampoule halogène en la tirant directement vers l'extérieur.
- 6 En utilisant un essuie-tout pour manipuler la nouvelle ampoule halogène, insérez-la soigneusement dans la douille et replacez le verre de protection de la lumière.

### ▲ MISE EN GARDE

Faites attention lorsque vous manipulez des ampoules. Les ampoules halogènes deviennent chaudes instantanément et les pièces adjacentes peuvent conserver de la chaleur.



## Conseils d'entretien

### NETTOYAGE

|   |   |
|---|---|
| <b>Acier inoxydable</b>                                   | Lorsque le grill a refroidi, utilisez un nettoyant non abrasif pour l'acier inoxydable et appliquez-le avec un chiffon doux non pelucheux. Pour faire ressortir le lustre naturel, essuyez légèrement la surface avec un chiffon en microfibrilles humecté d'eau suivi d'un chamois à polir sec. Suivez toujours le grain de l'acier inoxydable. Les résidus cuits peuvent être éliminés en utilisant un tampon abrasif doux avec un nettoyant pour acier inoxydable. N'utilisez pas de la laine d'acier. Il est normal que certaines zones de l'acier inoxydable se décolorent en raison de la chaleur intense émise par les brûleurs. |
| <b>Intérieur du grill</b>                                 | Mettez tous les brûleurs du grill à HI (élevé) (y compris celui de la saisie, mais pas le brûleur de la rôtissoire). Laissez le grill chauffer pendant 10 à 12 minutes avec le capot fermé. Mettez tous les brûleurs à OFF (arrêt) et laissez le grill se refroidir complètement. Retirez les grilles de brûleur et les plateaux de briquettes. Couvrez les tubes de brûleur et le brûleur de saisie infrarouge avec du film étirable et nettoyez l'intérieur avec un nettoyant pour four conformément aux directives.  |
| <b>Grilles de brûleur</b>                                 | Pendant que les grilles de brûleur sont encore chaudes, frottez avec une brosse à grill et de l'eau. La vapeur créée délogera les particules d'aliment sur les briquettes et la cuvette d'écoulement. Ne nettoyez pas la section de grille de brûleur lorsqu'elle se trouve en place sur le brûleur de saisie infrarouge. Aucun liquide ne doit entrer en contact avec le brûleur de saisie. Les grilles peuvent être tournées pour le nettoyage.   |
| <b>Brûleurs du grill</b>                                  | Examinez périodiquement les brûleurs du grill pour voir s'il y a des araignées, des insectes et d'autres obstructions. Éliminez les obstructions.<br><b>REMARQUE IMPORTANTE</b> : les araignées et les insectes peuvent faire leur nid dans les brûleurs, ce qui cause un risque d'incendie et des dommages au grill.   |
| <b>Brûleur de saisie infrarouge</b>                       | Nettoyez périodiquement l'écran protecteur du brûleur de saisie et éliminez les particules qui sont prises. Pour éviter tout dommage aux carreaux en céramique, ne laissez pas des liquides entrer en contact avec le brûleur de saisie infrarouge. Ne placez pas les plateaux de briquettes sur le brûleur de saisie.  |
| <b>Briquettes en céramique<br/>Plateaux de briquettes</b> | Mettez tous les brûleurs du grill à HI (élevé) (y compris celui de la saisie, mais pas le brûleur de la rôtissoire). Laissez le grill chauffer pendant 10 à 12 minutes avec le couvercle fermé. Mettez tous les brûleurs à OFF (arrêt) et laissez le grill se refroidir complètement. Retirez les plateaux de briquettes et essuyez-les.  |
| <b>Fumoir</b>   | Lorsque le grill a refroidi, retirez le fumoir, videz-le et nettoyez-le avec de l'eau tiède et un détergent doux.   |
| <b>Cuvette d'égouttement</b>                              | Lorsque le grill a refroidi, sortez la cuvette d'égouttement en la glissant et essuyez-la. Pour éviter les incendies de graisse, la cuvette d'égouttement doit être nettoyée après chaque usage.  |

### Dépannage

#### Les brûleurs ne s'allument pas.

- Poussez le bouton de commande du brûleur et assurez-vous que l'allumeur luit.
- Vérifiez l'alimentation électrique vers le gril et assurez-vous que le disjoncteur est en marche.
- Vérifiez que le disjoncteur de fuite de terre n'a pas été déclenché.
- Videz l'air emprisonné de la conduite.
- S'il n'y a pas d'électricité, les brûleurs peuvent être allumés manuellement. Reportez-vous à la page 8.

#### L'allumeur de surface chaude ne fonctionne pas.

- Vérifiez l'alimentation électrique vers le gril et assurez-vous que le disjoncteur est en marche.
- Vérifiez que le disjoncteur de fuite de terre n'a pas été déclenché.

#### Les brûleurs ne chauffent pas correctement.

- Vérifiez l'alimentation en gaz.
- Vérifiez que la conduite d'alimentation en gaz n'est pas courbée ou pliée.
- Préchauffez les brûleurs pendant 10 minutes.
- Examinez les brûleurs du gril pour voir s'il y a des araignées, des insectes ou d'autres obstructions.

#### **▲ AVERTISSEMENT**

Les araignées et les insectes peuvent faire leur nid dans les brûleurs, ce qui cause un risque d'incendie et des dommages au gril.

#### La flamme du brûleur s'éteint.

- Vérifiez l'alimentation en gaz.
- En cas d'exposition au vent, prévoyez une façon de bloquer le vent.

#### Il y a une odeur de gaz.

- Communiquez avec le service Wolf certifié en usine ou le fournisseur de gaz pour vous assurer qu'il n'y a pas de fuite.

#### Des embrasements excessifs se produisent.

- Nettoyez les grilles de brûleur.
- Il y a trop de gras sur la viande ou la température de cuisson est trop élevée.

#### Les lumières intérieures ou des boutons de commande ne fonctionnent pas.

- Vérifiez l'alimentation électrique vers le gril et assurez-vous que le disjoncteur est en marche.
- Vérifiez que le disjoncteur de fuite de terre n'a pas été déclenché.
- L'ampoule de la lumière intérieure a besoin d'être remplacée.

#### SERVICE

- Préservez la qualité intégrée dans votre produit en communiquant avec un service Wolf certifié par l'usine. Pour obtenir le nom du centre de service Wolf certifié par l'usine le près de chez vous, consultez la section Support et service de notre site Web, [wolfappliance.com](http://wolfappliance.com) ou appelez le service à la clientèle de Wolf à 800-222-7820.
- Avant d'appeler pour obtenir du service, ayez en main les numéros de modèle et de série de votre produit. Les deux numéros sont indiqués sur la plaque signalétique du produit. Reportez-vous à la page 6 pour connaître l'emplacement de la plaque signalétique.
- Pour les besoins de la garantie, vous devrez aussi avoir la date d'installation et le nom de votre dépositaire Wolf autorisé. Ces renseignements doivent être notés à la page 3 de ce guide.

## Garantie limitée pour l'extérieur Wolf Appliance\*

### POUR UTILISATION RÉSIDENIELLE

#### GARANTIE COMPLÈTE D'UN AN\*\*

Pendant un an à compter de la date d'installation originale, cette garantie de produit Wolf Appliance couvre toutes les pièces et la main d'œuvre pour réparer ou remplacer, selon un usage résidentiel normal, toute partie du produit qui s'avèrerait défectueuse en vertu des matériaux ou de la fabrication. Tout service fourni par Wolf Appliance en vertu de la garantie ci-dessus doit être effectué par un centre de service Wolf certifié par l'usine, à moins d'indication contraire de la part de Wolf Appliance, Inc. Le service sera fourni pendant les heures normales d'affaires.

#### GARANTIE LIMITÉE DE CINQ ANS

Pendant cinq ans à compter de la date originale d'installation, Wolf Appliance réparera ou remplacera les pièces suivantes qui s'avèreront défectueuses en vertu des matériaux ou de la fabrication : les plateaux de briquettes en acier inoxydable, les robinets de gaz, les cuvettes d'écoulement, les circuits de contrôle électronique et les éléments de chauffage électriques. Si le propriétaire utilise le service Wolf certifié en usine, le fournisseur de service réparera ou remplacera ces pièces et le propriétaire paiera pour tous les autres frais, y compris la main d'œuvre. Si le propriétaire utilise un service non certifié, il doit communiquer avec Wolf Appliance, Inc. (avec les renseignements ci-dessous) pour obtenir des pièces réparées ou de rechange. Wolf Appliance ne remboursera pas le propriétaire pour les pièces achetées d'un service non certifié ou d'autres sources.

#### GARANTIE À VIE LIMITÉE

Pendant la durée utile du produit, Wolf Appliance réparera ou remplacera les pièces suivantes qui s'avèreront défectueuses en vertu des matériaux ou de la fabrication : tous les composants en acier inoxydable (sauf la corrosion en surface, les égratignures, la décoloration, les taches causées par les intempéries et liées à l'atmosphère et la rouille et l'oxydation mineures en surface). Si le propriétaire utilise le service Wolf certifié en usine, le fournisseur de service réparera ou remplacera ces pièces et le propriétaire paiera pour tous les autres frais, y compris la main d'œuvre. Si le propriétaire utilise un service non certifié, il doit communiquer avec Wolf Appliance, Inc. (avec les renseignements ci-dessous) pour obtenir des pièces réparées ou de rechange. Wolf Appliance ne remboursera pas le propriétaire pour les pièces achetées d'un service non certifié ou d'autres sources.

#### CONDITIONS S'APPLIQUANT À CHAQUE GARANTIE

La garantie s'applique uniquement aux produits installés pour un usage résidentiel normal. La garantie s'applique seulement aux produits installés dans l'un des cinquante États des États-Unis, dans le District of Columbia ou les dix provinces du Canada. Cette garantie ne couvre pas les pièces ou la main d'œuvre pour corriger tout défaut causé par de la négligence, un accident ou une utilisation, un entretien, une installation, un service ou une réparation inappropriés.

**LES REMÈDES DÉCRITS CI-DESSUS POUR CHAQUE GARANTIE SONT LES SEULS QUI SONT OFFERTS PAR WOLF APPLIANCE, INC. EN VERTU DE CETTE GARANTIE OU EN VERTU DE TOUTE GARANTIE DÉCOULANT DE L'OPÉRATION DE LA LOI. WOLF APPLIANCE, INC. NE SERA PAS RESPONSABLE DES DOMMAGES INDIRECTS OU CONSÉCUTIFS DÉCOULANT DE LA VIOLATION DE CETTE GARANTIE OU DE TOUTE GARANTIE, EXPRESSE, IMPLICITE OU LÉGALE.**

Certaines provinces ne permettent pas l'exclusion ou la restriction des dommages indirects ou consécutifs, par conséquent, la limite ou l'exclusion ci-dessus peut ne pas s'appliquer à votre cas. Cette garantie vous confère des droits légaux précis et vous pouvez aussi avoir d'autres droits légaux qui peuvent varier d'une province à l'autre.

Pour obtenir des pièces et/ou du service et le nom du centre de service Wolf certifié par l'usine le plus près de chez vous, communiquez avec Wolf Appliance, Inc., P.O. Box 44848, Madison, WI 53744 É.-U.; Consultez la section Support et service de notre site Web, [wolfappliance.com](http://wolfappliance.com), envoyez-nous un courriel à [customerservice@subzero.com](mailto:customerservice@subzero.com) ou composez le 800-222-7820.

\*Le produit doit être approuvé pour utilisation à l'extérieur, désigné par le numéro de modèle et de série.

\*\*L'acier inoxydable (les portes, les panneaux, les poignées, les cadres et les surfaces intérieures) est couvert par une garantie limitée de 60 jours sur les pièces et la main d'œuvre pour toute défectuosité cosmétique.





WOLF APPLIANCE, INC. P.O. BOX 44848 MADISON, WI 53744 WOLFAPPLIANCE.COM 800.222.7820

816974 REV-E

1/2020

