

OG36

FEATURES

- Three individually contained grill burners for versatile cooking
- Utilizes both direct and radiant heat for more thorough grilling
- Two-position rotisserie handles foods big and small
- Heavy-duty stainless steel construction
- Available built-in or freestanding
- Rigorously tested in our U.S. manufacturing facilities for decades of use
- Exceptional 24/7 support from our Customer Care team in Madison
- Infrared sear zone seals in juices and flavors
- Halogen lights for night-time grilling
- Double-wall hood front holds in heat
- Hood assist system makes opening and closing easy
- Three-position warming rack for the exact temperature you want
- Stainless steel burner grates

ACCESSORIES

- Canvas covers
- Stainless steel portable grill cart with fold-down side shelves
- Stainless steel doors and drawers for built-in enclosure
- Griddle Plate
- Black control knob(s)

Accessories available through an authorized Sub-Zero dealer.
For local dealer information, visit subzero-wolf.com/locator.



KNOB OPTIONS



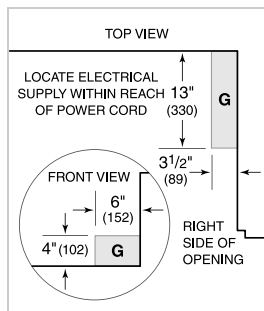
GRILL SPECIFICATIONS

- 2 - 25,000 Btu Burners
- 1 - 25,000 Sear Burner
- 1 - 14,000 Btu Rotisserie Burner

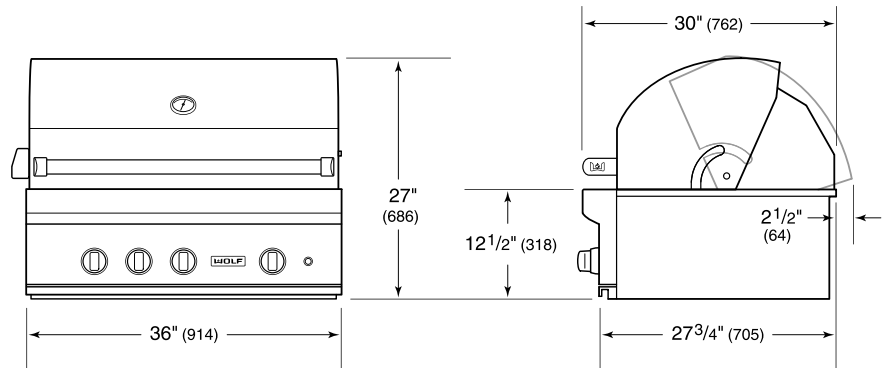
PRODUCT SPECIFICATIONS

Model	OG36
Dimensions	36"W x 27"H x 30"D
Weight	247 lb
Electrical Supply	120 VAC, 60 Hz
Electrical Service	15 amp dedicated circuit
Gas Supply	3/4" rigid pipe
Gas Inlet	1/2" NPT female
Power Cord Length	5 feet

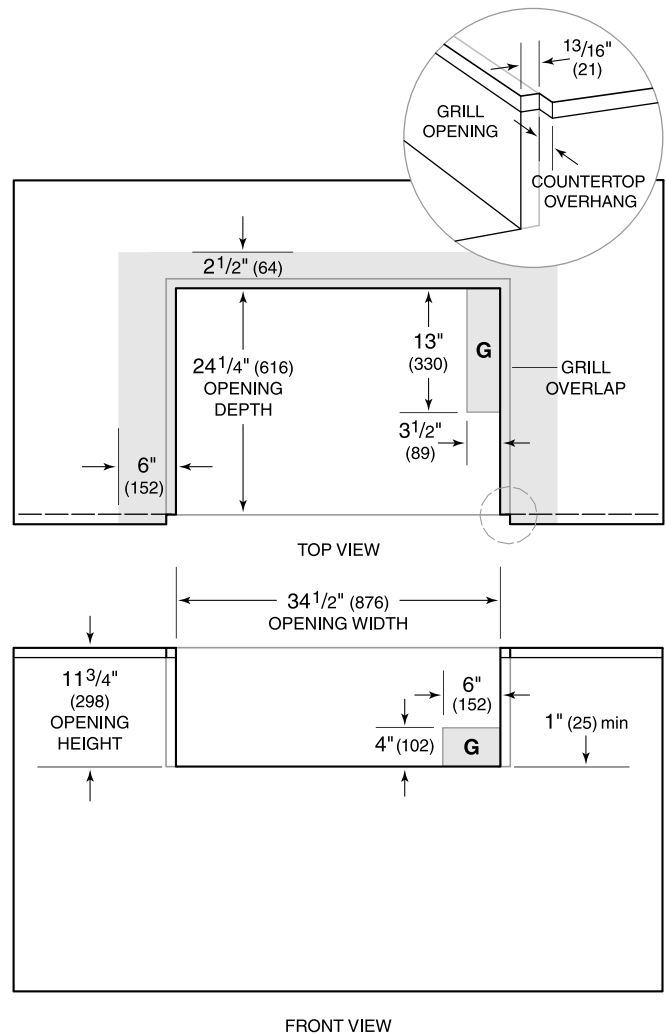
ELECTRICAL AND GAS



DIMENSIONS



STANDARD INSTALLATION



NOTE: Shaded area above countertop indicates minimum clearance to combustibles, combustibles cannot be located within this area.