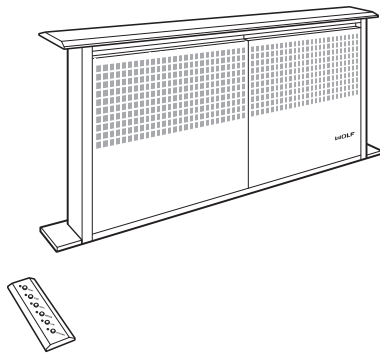


## FEATURES

- Three-speed blower control with boost.
- Remote-mounted control module with LED indicators.
- Delay-off feature to automatically turn unit off.
- Stainless steel, mesh filters.
- Reversible motor box.
- Adjustable discharge.



## BLOWER OPTIONS\*

MODEL DD36	CFM
Internal	600
In-line	600
Remote	600 or 1200

\*Blowers sold separately.

**IMPORTANT NOTE:** Wolf downdrafts can be used with all Wolf induction, electric and gas cooktops, except unframed models. Wolf downdrafts cannot be used with the steamer or fryer module and are not recommended for use with the electric grill module.

## ACCESSORIES

- Trim kit for SRT366.
- Make-up air damper.
- 8" Inline damper.
- 10" Inline damper.

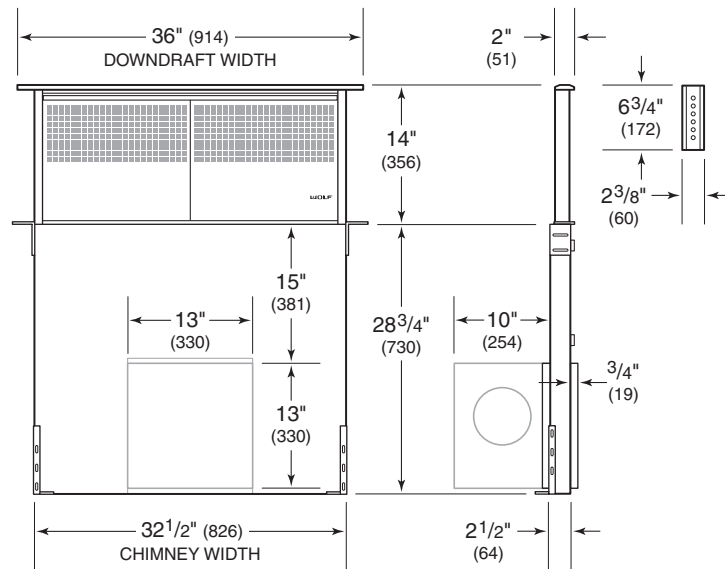
Accessories available through an authorized Wolf dealer. For local dealer information, visit the find a showroom section of our website, [wolfappliance.com](http://wolfappliance.com).

SPECIFICATIONS	
<b>PRODUCT</b>	
Dimensions	36" W x 14" H x 2" D
Weight	80 lb
<b>DISCHARGE</b>	
Internal	6" Round
In-line or Remote	10" Round
<b>ELECTRICAL</b>	
Supply	120 VAC, 60 Hz
Service	15 amp circuit
Power Cord	4 ft

Specifications are subject to change without notice. Visit [wolfappliance.com/specs](http://wolfappliance.com/specs) for the most up-to-date information.

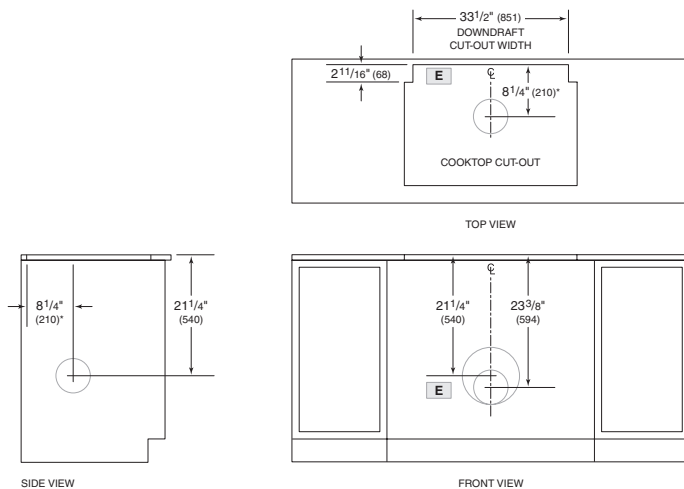
Dimensions may vary  $\pm 1/8"$  (3). Dimensions in parentheses are millimeters unless otherwise specified.

## DIMENSIONS



NOTE: Shaded line represents internal blower box with 6" (152) round discharge.

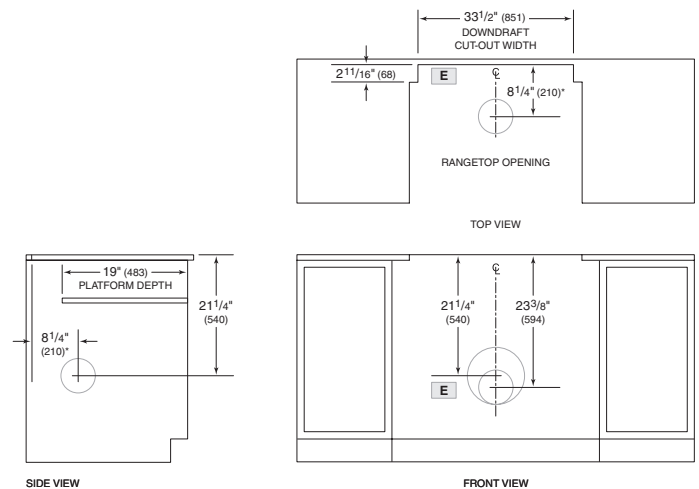
## INSTALLATION WITH COOKTOP



\*6" (152) back from the countertop cutout when an internal blower is rear mounted.

NOTE: Internal blower 6" (152) round, side, rear or bottom discharge. In-line and remote blower 10" (254) round, rear discharge. Centerline indicates center of downdraft cut-out.

## INSTALLATION WITH SEALED BURNER RANGETOP



\*6" (152) back from the countertop cutout when an internal blower is rear mounted.

NOTE: Internal blower 6" (152) round, side, rear or bottom discharge. In-line and remote blower 10" (254) round, rear discharge. Centerline indicates center of downdraft cut-out.