

CONVECTION STEAM OVEN
USE AND CARE GUIDE

CLEANING, MAINTENANCE, AND MORE



Contents

- 4 Safety Precautions
- 6 Convection Steam Oven Features
- 7 Convection Steam Oven Operation
- 16 Care Recommendations
- 17 Troubleshooting
- 19 Wolf Warranty

Customer Care

The model and serial number are printed on the enclosed product registration card. Both numbers are also listed on the product rating plate. Refer to page 5 for rating plate location. For warranty purposes, you will also need the date of installation and name of your authorized Wolf dealer. Record this information below for future reference.

SERVICE INFORMATION

Model Number
Serial Number
Date of Installation
Certified Service Name
Certified Service Number
Authorized Dealer
Dealer Number

If your product ever needs attention, be sure to use a Wolf Factory Certified Service provider recommended by our Customer Care Center, or select one from our list of providers available at wolfappliance.com/locator. All Factory Certified Service providers are carefully selected and thoroughly trained by us.

Important Note

To ensure this product is installed and operated as safely and efficiently as possible, take note of the following types of highlighted information throughout this guide:

IMPORTANT NOTE highlights information that is especially important.

CAUTION indicates a situation where minor injury or product damage may occur if instructions are not followed.

WARNING states a hazard that may cause serious injury or death if precautions are not followed.

IMPORTANT NOTE: Throughout this guide, dimensions in parentheses are millimeters unless otherwise specified.

SAFETY PRECAUTIONS

This oven was built to achieve recognized standards in technology and safety regulations and is designed for use in the home for preparing food. It is not intended for use by persons with reduced physical, sensory, or mental capabilities or lack of experience and knowledge, unless supervised or unless they have been given instruction concerning the use of the appliance by a person responsible for their safety. Proper use is essential to avoid damage or accidents.

Installation and connection to power supply must be performed by a qualified electrician in accordance with provided installation instructions.

Before first use, fill the water tank and perform related duties as outlined in the Prior to Use section.

Please retain this guide for future reference. If you sell the appliance or pass it on to a third party, ensure these instructions accompany the appliance with the instructions on installation.

⚠ WARNING

PROPOSITION 65 FOR CALIFORNIA RESIDENTS

Cancer and Reproductive Harm—
www.P65Warnings.ca.gov

IMPORTANT SAFEGUARDS

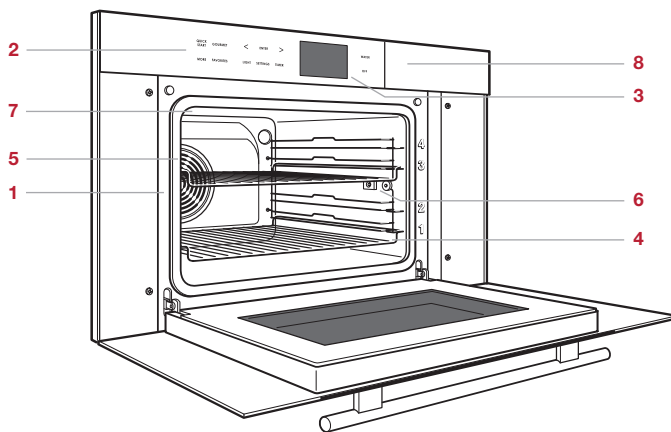
When using electrical appliances, basic safety precautions should always be followed including the following:

- Read all instructions.
- Do not touch hot surfaces. Use handles or knobs.
- To protect against electrical shock, do not immerse cord or plug in water or other liquid.
- Close supervision is necessary when any appliance is used by or near children.
- Unplug the appliance from outlet when not in use and before cleaning. Allow the appliance to cool before putting on or taking off parts.
- Do not operate any appliance with a damaged cord or plug or after the appliance malfunctions or has been damaged in any manner. Return appliance to the nearest Factory Certified Service facility for examination, repair, or adjustment.
- The use of accessory attachments not recommended by the appliance manufacturer may cause injuries.
- Do not use outdoors.
- Do not let the cord hang over the edge of the table or counter or touch hot surfaces.
- Do not place on or near a hot gas or electric burner or in a heated oven.
- Extreme caution must be used when moving an appliance containing hot oil or other hot liquids.
- Always attach plug to appliance first, then plug the cord into the wall outlet. To disconnect, turn all controls off and then remove the plug from the wall outlet.
- Do not use the appliance for other than intended use.
- Save these instructions.

Convection Steam Oven Features

FEATURES

1	Product Rating Plate
2	Control Panel
3	Control Panel Display
4	Adjustable Oven Racks
5	Convection Fan
6	Temperature Probe Receptacle
7	Halogen Lighting
8	Water Tank Access Door



Convection Steam Oven (CSO30TM shown)

Getting Started

We know you are eager to start cooking, but before you do, please take some time to read this use and care guide. Whether you are an occasional cook or an expert chef, it will be to your benefit to familiarize yourself with the safety practices, features, operation, and care recommendations of your Wolf Convection Steam Oven.

To ensure the best results, review cooking modes and special features on page 11.

RETRACTABLE HANDLE MODELS

For models with a retractable handle, the handle will extend automatically when the control panel is activated and retract when the unit is turned off and has cooled below 175°F (80°C).

⚠ CAUTION

Do not open or close the retractable handle manually.

Control Panel

Use the control panel to set cooking modes and access all the features of the convection steam oven for exceptional results. The control panel will become inactive after 15 minutes of inactivity. Touch any control to activate the display.

User Settings

The user settings allow the user to select preferences as listed in the chart below.

SETTING

Set Language
Adjust Display
Set Clock
Configure Notifications
Descal Appliance
Set Water Hardness
Set Loudness
Set Assistance Functions
Configure Temperature
Set Childproof Lock
Display Appliance Info
Demo Mode
Check Connection
Restore Factory Settings

Setting user settings:

- 1 With the oven on, touch SETTINGS.
- 2 Use the arrows to select the desired setting.
- 3 Touch ENTER.
- 4 Follow the instructions on the display.
- 5 Touch ENTER.



Control panel

Oven Operation

COOKING MODES

Select Cooking Mode:

- 1 Touch QUICK START.
- 2 Use the arrows to select the desired cooking mode.
- 3 Touch ENTER.
- 4 Review the information on the display.
- 5 Touch ENTER.

The unit will start 20 seconds after the last key touch. To start the mode immediately, use the arrows to select Start Operation, then touch ENTER.

OPTIONS

Set Temperature:

- 1 Use the arrows to select the desired temperature.
- 2 Touch ENTER.

Set Duration:

The oven heats immediately and turns off after the specified duration. The oven light illuminates three minutes prior to the end time.

If the temperature probe is used, the probe overrides the switch-off time and turns the oven off when set temperature is reached.

- 1 Use the arrows to select the desired cooking duration.
- 2 Touch ENTER.

Set End:

The set end feature automatically turns the oven on and off at specified times. The oven remains idle until the desired start time and turns off at the desired switch-off time. The clock must be set to the correct time for delayed start to function properly.

If the temperature probe is used, the probe overrides the switch-off time and turns the oven off when set temperature is reached. If the probe temperature is not reached before the switch-off time, it will not extend operating time.

- 1 Use the arrows to select the desired end time.
- 2 Touch ENTER.

Set Food Probe Temp:

- 1 Use the arrows to select the desired probe temperature.
- 2 Touch ENTER.

Oven Operation

Prior to use, use the test strip provided to determine the water hardness. The oven defaults to hard water. Refer to User Settings on page 6 to adjust water hardness.

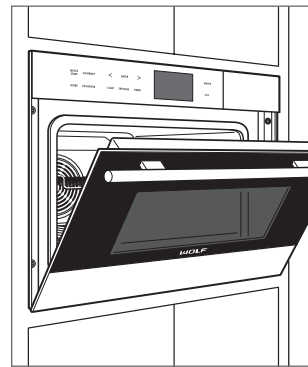
Follow the steps below to ensure all residual oil from the manufacturing process has been removed.

Prior to Use:

- 1 Clean the oven thoroughly with hot water and a mild detergent.
- 2 Rinse and dry with a soft cloth.
- 3 Turn on cooking ventilation. Some smoke and odor is normal.
- 4 Fill and install the water tank.
- 5 Select Convection Steam and adjust the temperature to 410°F (210°C). Heat the oven (empty) for 30 minutes.

After Each Use:

- 1 Touch OFF or POWER. For modes using steam, do not remove the water tank until “WATER IS BEING PUMPED OFF” no longer appears on the display.
- 2 Open the door to the at-rest position and allow to cool. Refer to the illustration below.
- 3 Once cool, wipe the interior dry.
- 4 Close the door.



Door at-rest position

Oven Operation

WATER TANK

Touch WATER to remove the water tank.

The water tank holds enough water for 1½ hours of continuous steam, typically enough for 4–5 cooking sessions. Use fresh, cold tap water. Do not use demineralized, filtered, or distilled water.

When the oven is turned off, water is pumped back into the tank once the water temperature is below 175°F (80°C). If the tank needs to be filled during cooking, limit the amount of water to less than two cups to prevent overflow when water is pumped back into the tank.

TIMER

The timer can be set for a maximum of 9 hours and 59 minutes. Once the timer is set, the countdown appears on the display. The timer is independent from the oven. Setting the timer does not affect operating time or switch-off time.

Setting Timer:

- 1 Touch TIMER.
- 2 Use the arrows to set the desired duration.
- 3 Touch ENTER.

To adjust the timer, use the arrows to adjust the duration. To cancel the timer, use the left arrow to decrease the duration to 0, then touch ENTER.

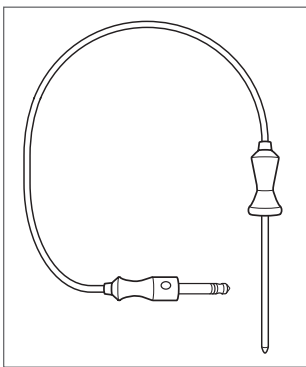
Oven Operation

TEMPERATURE PROBE

Use only the black temperature probe shipped with this appliance. Refer to the illustration below. The temperature probe measures the internal temperature of food while cooking. It can be used with all cooking modes except More Gourmet. When the temperature probe is installed, the actual probe temperature will be displayed.

⚠ CAUTION

Use only the probe shipped with this oven. Do not use a probe from any other appliance.



Temperature probe

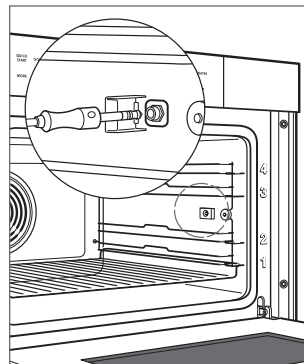
Setting controls:

- 1 Place the probe in the thickest part of the food.
- 2 Place the food in the oven and insert the connector into the receptacle. Refer to the illustration below.
- 3 Select the desired cooking mode.
- 4 Touch ENTER.
- 5 Use the arrows to select Set Food Probe Temperature.
- 6 Touch ENTER.
- 7 Use the arrows to select the desired probe temperature.
- 8 Touch ENTER.

The probe temperature set point appears on the display above the icon. To adjust the probe temperature, select Set Food Probe Temp, use the arrows to select the desired temperature, then touch ENTER.






⚠ CAUTION

The probe and probe receptacle will be very hot. Handle with care.



Probe receptacle

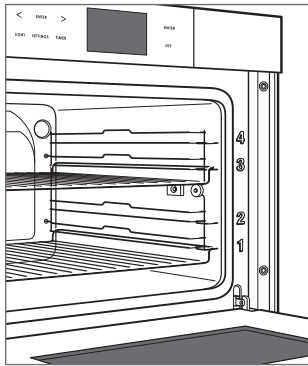
Cooking Modes

MODE	INDICATOR	RANGE	PROBE	USES
Steam		90–210°F (30–100°C)	•	For foods typically boiled and foods that benefit from gentle handling such as seafood, vegetables, and rice.
Convection		90–440°F (30–230°C)	•	For foods that benefit from even browning such as chicken, potatoes, biscuits, and roasts. The convection fan distributes heat evenly for consistent browning. Cooking temperatures may be 25° less and cooking times may be 25% faster.
Convection Steam		180–440°F (80–230°C)	•	For foods that are tender inside and roasted or crisped outside. Steam, along with the convection fan, transfer energy to food more efficiently, which helps the food retain moisture. Cooking temperatures may be 25° less and cooking times may be 25% faster.
Convection Humid		90–440°F (30–230°C)	•	For foods that already have enough moisture such as cakes, casseroles, grain dishes, and lasagna. The oven does not produce steam, but the cavity remains sealed so the moisture created while cooking remains in the oven. Cooking temperatures may be 25° less and cooking times may be 25% faster.
Reheat		180–390°F (80–200°C)	•	For foods typically reheated in an oven or microwave. Steam and hot air gently rehydrate the food.
Gourmet	—	—		Use to prepare specified foods (refer to page 12), fresh, refrigerated, or frozen. Select the food and desired doneness, and the sensor adjusts time, temperature, and humidity so no baking instructions are required. The preset temperature and range are dependent on the food and desired doneness.

Oven Operation

OVEN RACK POSITION

The oven racks can be placed in any of the four positions labeled on the right front face of the convection steam oven. Refer to the illustration below.



Rack position

Cooking Modes

GOURMET

Use Gourmet to prepare any of the foods listed below, fresh or refrigerated. Select the food and desired doneness, and the sensor adjusts time, temperature, and humidity so no baking instructions are required.

FOOD

Vegetables

Meat

Poultry

Potatoes

Fresh Pizza

One Dish Meals

Side Dishes

Fish

Eggs

Baked Goods

Grains

Fruit

Yogurt

Desserts

Setting Gourmet:

- 1 Touch GOURMET.
- 2 Use the arrows to select the desired food.
- 3 Touch ENTER.
- 4 Follow instructions on the display.
- 5 Touch ENTER.

The unit will start 20 seconds after the last key touch. To start the mode immediately, use the arrows to select Start Operation, then touch ENTER.

Favorites

Commonly used cooking modes or foods can be saved in the system for easy access through the FAVORITES function. Up to 24 favorites can be stored at a time.

Creating a Favorite:

- 1 Select the desired food and doneness or cooking mode and temperature.
- 2 Before the cooking mode starts, touch FAVORITES.
- 3 Select an open file.
- 4 Touch ENTER.
- 5 Using the arrows, enter a name for the file.
- 6 Touch ENTER.

Selecting a Favorite:

- 1 With the oven on, touch FAVORITES.
- 2 Use the arrows to select the file to be used.
- 3 Touch ENTER.

More Cooking Modes

Touch MORE to access additional Gourmet items and cooking modes. Use the arrows to choose the option you want and touch ENTER.

MODE	USES
Recipes	Allows the user to store individual cooking modes and temperatures or cooking sequences used to prepare custom foods. Up to 24 different user recipes can be stored in the system for easy access.
More Gourmet	Use to prepare specified foods; fresh, refrigerated, or frozen. Select the food and desired doneness and the sensor adjusts time, temperature, and humidity so no instructions are required. The preset temperature and range are dependent on the food and desired doneness.
Auto Steam Bake	By heating with steam first, then using convection heat to finish baking, baked goods acquire a tender interior and an exterior with natural shine, without the need for an egg wash. Use for breads, buns, cakes, and pastries whether fresh, par-baked, or frozen. Do not preheat.
Slow Roast	Use to keep meats tender by slow roasting. Insert the temperature probe into the prepared meat, select a Slow Roast setting and completion time.
Auto Reheat	Reheat mode uses steam and hot air to rehydrate food gently. Use to reheat any food you would have reheated in the oven, range, or microwave.
Spa	Spa uses combinations of gentle convection and steam heat to warm towels, wraps, or stones for use in massages or relaxation.
Sanitize	Cleanse uses steam to clean baby bottles and canning jars and is faster and safer than conventional methods.
Keep Warm	Keep Warm uses a combination of convection and steam heat to keep foods warm.

Care Recommendations

DESCALE

Descale lasts approximately 45 minutes. Depending on water conditions, the oven may need to be descaled every 6–18 months. When the oven needs to be descaled, “Boiler scaled up—please descale” appears on the display. The duration between notifications is based on the water hardness specified in user settings. To adjust water hardness levels, refer to page 6.

Use only Durgol® Swiss Steamer descaling solution and follow the manufacturers instructions. Durgol® can be ordered online at subzerewolfstore.com.

Setting Descale:

- 1 With the oven off, touch SETTINGS.
- 2 Use the arrows to select Descale, then touch ENTER. “Add 1 pt (0.5 L) descaler—and touch ENTER” appears on the display.
- 3 Touch WATER and remove the water tank from the unit.
- 4 Pour the entire Durgol® Swiss Steamer descaling solution into the tank.
- 4 Install the tank and touch ENTER.
- 5 After approximately 30 minutes, “Pour away descaler—Add 2 pt (1 L) water” appears on the display. Remove the water tank, turn on the sink faucet, and pour the descaler down the drain.

⚠ CAUTION

Failure to dilute the descaling solution before discarding may discolor the sink and drain.

- 6 Fill the tank with warm tap water and install the tank. “Descale appliance—1st rinsing cycle” appears on the display. After approximately 45 minutes, “Pour away water—Descaling completed” appears on the display.
- 7 Depending on the level of soil in the rinse water, the oven determines whether additional rinse cycles are necessary. Follow instructions on the display.
- 8 Once the rinse cycles are complete, remove, empty, and dry the water tank. Wipe all stainless steel surfaces.

CARE RECOMMENDATIONS

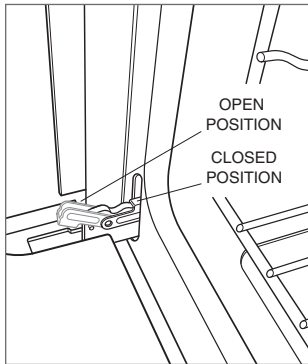
Care Recommendations

OVEN DOOR REMOVAL

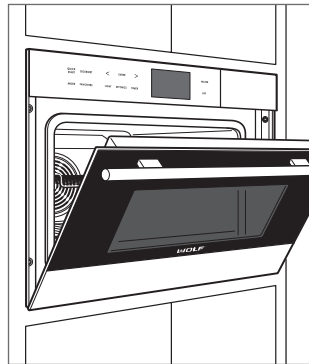
The oven door can be removed for a thorough cleaning.

To remove, open the oven door completely. Rotate both hinge latches forward to the open position. Close the door to the at-rest position, then lift up and out. Refer to the illustrations below.

To reinstall, insert door hinges into the frame openings. Open the oven door completely and rotate both hinge latches back to the closed position.



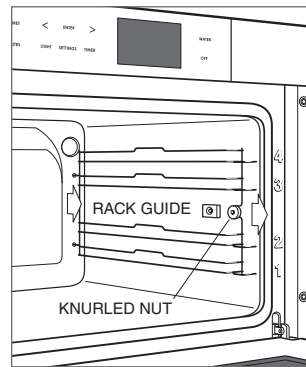
Oven door hinge latch



Door at-rest position

RACK GUIDE REMOVAL

To remove rack guides, unscrew the knurled nut on the front of the rack guide. Pull the rack guide to the side of the threaded stud and remove from the front. Refer to the illustration below.



Rack guide removal

Care Recommendations

CLEANING

Stainless steel	Use a nonabrasive stainless steel cleaner and apply with a soft lint-free cloth. To bring out the natural luster, lightly wipe the surface with a water-dampened microfiber cloth followed by a dry polishing chamois. Always follow the grain of stainless steel.
Door front	Spray glass cleaner on a cloth to clean.
Control panel	Use a spray degreaser to remove fingerprints and food soil. Spray on a cloth before wiping the control panel. Do not spray cleaners directly on the control panel.
Interior	For general cleaning, initiate Steam mode at 175°F (80°C) for 30 minutes. This will loosen fat and cooking debris from the oven. Turn the oven off and wipe the interior with a cloth. Use a damp cloth and lemon juice to wipe away water and blue tarnish spots. Do not use a steam cleaner.
Oven racks and rack guides	Oven racks and rack guides can be cleaned in the dishwasher.
Stainless steel pans	The solid and perforated stainless steel pans can be cleaned in the dishwasher.
Water tank	Water marks and calcium build-up can be removed using a standard descaler. Do not clean the water tank in the dishwasher.
Temperature probe	Wipe with a cloth and water. Mild detergent may be used for tough stains. Do not submerge the probe in water or clean in the dishwasher.

Troubleshooting

OPERATION

Oven does not operate.

- Verify power is on.
- Verify electrical power to the oven and home circuit breaker is on.

Oven temperature issue.

- Contact Wolf Customer Care at 800-222-7820 for recommendations.

Illumination is not working.

- The light bulb is defective, call Wolf Factory Certified Service.

Oven starts making noise during operation.

- The oven may emit switching and pumping sounds during operation. These sounds are normal.

Oven pans are difficult to remove.

- Some combinations of heat, moisture, and food placement may cause the oven pans to warp, pans will return to their original shape when cool.

“Do not remove water tank” appears on the display.

- Water in the boiler is not pumped off until the water temperature drops below 175°F (80°C).

“Boiler scaled up, please descale!” appears on the display.

- Descale the oven. Refer to page 14.

“Appliance blocked, descaling necessary” appears on the display.

- Descale the oven. Refer to page 14. If the message does not disappear after descaling, contact Wolf Factory Certified Service.

Service

- Maintain the quality built into your product by contacting Wolf Factory Certified Service. For the name of the nearest Wolf Factory Certified Service, check the contact and support section of our website, wolfappliance.com, or call Wolf Customer Care at 800-222-7820.
- When contacting service, you will need the model and serial number of your product. Both numbers are listed on the product rating plate. Refer to page 5 for rating plate location.
- For warranty purposes, you will also need the date of installation and name of your authorized Wolf dealer. This information should be recorded on page 2 of this guide.

Wolf Appliance Residential Limited Warranty

FOR RESIDENTIAL USE

FULL TWO YEAR WARRANTY*

For two years from the date of original installation, this Wolf Appliance product warranty covers all parts and labor to repair or replace, under normal residential use, any part of the product that proves to be defective in materials or workmanship. All service provided by Wolf Appliance under the above warranty must be performed by Wolf factory certified service, unless otherwise specified by Wolf Appliance, Inc. Service will be provided during normal business hours.

LIMITED FIVE YEAR WARRANTY

For five years from the date of original installation, Wolf Appliance will repair or replace the following parts that prove to be defective in materials or workmanship: gas burners (excludes appearance), electric heating elements, blower motors (ventilation hoods), electronic control boards, magnetron tubes and induction generators. If the owner uses Wolf factory certified service, the service provider will repair or replace these parts with the owner paying for all other costs, including labor. If the owner uses non-certified service, the owner must contact Wolf Appliance, Inc. (using the information below) to receive repaired or replacement parts. Wolf Appliance will not reimburse the owner for parts purchased from non-certified service or other sources.

TERMS APPLICABLE TO EACH WARRANTY

The warranty applies only to products installed for normal residential use. The warranty applies only to products installed in any one of the fifty states of the United States, the District of Columbia or the ten provinces of Canada. This warranty does not cover any parts or labor to correct any defect caused by negligence, accident or improper use, maintenance, installation, service or repair.

THE REMEDIES DESCRIBED ABOVE FOR EACH WARRANTY ARE THE ONLY ONES THAT WOLF APPLIANCE, INC. WILL PROVIDE, EITHER UNDER THIS WARRANTY OR UNDER ANY WARRANTY ARISING BY OPERATION OF LAW. WOLF APPLIANCE, INC. WILL NOT BE RESPONSIBLE FOR ANY CONSEQUENTIAL OR INCIDENTAL DAMAGES ARISING FROM THE BREACH OF THIS WARRANTY OR ANY OTHER WARRANTY, WHETHER EXPRESS, IMPLIED OR STATUTORY.

Some states do not allow the exclusion or limitation of incidental or consequential damages, so the above limitation or exclusion may not apply to you. This warranty gives you specific legal rights and you may also have other legal rights that vary from state to state.

To receive parts and/or service and the name of Wolf factory certified service nearest you, contact Wolf Appliance, Inc., P.O. Box 44848, Madison, WI 53744; check the contact & support section of our website, wolfappliance.com, email us at customerservice@subzero.com or call 800-222-7820.

*Stainless steel (doors, panels, handles, product frames and interior surfaces) are covered by a limited 60-day parts and labor warranty for cosmetic defects.

*Replacement filters for ventilation hood recirculating kits are not covered by the product warranty.



Contenido

- 4 Precauciones de seguridad
- 6 Funcionalidades del horno de vapor de convección
- 7 Funcionamiento del horno de vapor de convección
- 16 Recomendaciones para el cuidado
- 17 Resolución de problemas
- 19 Garantía de Wolf

Atención al cliente

El modelo y número de serie están impresos en la tarjeta de registro del producto adjunta. Los dos números también aparecen en la placa de datos del producto. Consulte la página 5 para encontrar la placa de datos. Para fines de la garantía, usted también necesitará la fecha de instalación y el nombre de su distribuidor autorizado de Wolf. Guarde la siguiente información para futuras referencias.

INFORMACIÓN DE SERVICIO

Número de modelo

Número de serie

Fecha de la instalación

Nombre de servicio certificado

Número de servicio certificado

Distribuidor autorizado

Número de distribuidor

Si su producto alguna vez necesita servicio, asegúrese de acudir a un proveedor de servicios certificado por Wolf y recomendado por nuestro centro de atención al cliente o seleccione uno de nuestra lista de proveedores en wolfappliance.com/locator. Todos los proveedores de servicios certificados son seleccionados cuidadosamente y rigurosamente capacitados por nosotros.

Aviso importante

Para garantizar que este producto se instale y opere de la forma más segura y eficiente posible, tome nota de los siguientes tipos de información resaltada en este manual:

AVISO IMPORTANTE señala la información que es especialmente importante.

PRECAUCIÓN indica una situación en la que se pueden sufrir heridas leves o provocar daños al producto si no se siguen las instrucciones.

ADVERTENCIA indica peligro de que se produzcan heridas graves o incluso la muerte si no se siguen las precauciones.

AVISO IMPORTANTE: en toda esta guía, las dimensiones entre paréntesis son milímetros, a menos que se especifique lo contrario.

PRECAUCIONES DE SEGURIDAD

Este horno está construido de acuerdo con los estándares reconocidos de las reglamentaciones de tecnología y seguridad y está diseñado para uso doméstico para la preparación de alimentos. No está indicado para que lo usen personas con capacidades físicas, sensoriales o mentales reducidas o que carezcan de experiencia o conocimiento, a menos que una persona responsable de su seguridad los supervise o le haya dado instrucciones sobre el uso del electrodoméstico. El uso correcto es esencial para evitar daños o accidentes.

Un electricista calificado debe realizar la instalación y conexión al suministro de electricidad de acuerdo con las instrucciones de instalación provistas.

Antes del primer uso, llene el tanque de agua y realice las tareas relacionadas como se describe en la sección Antes de usarlo.

Guarde esta guía para referencia futura. Si vende el electrodoméstico o se lo da a un tercero, asegúrese de que estas instrucciones vayan con el electrodoméstico junto a las instrucciones de instalación.

⚠ ADVERTENCIA

PROPUESTA 65 PARA RESIDENTES DE CALIFORNIA

Cáncer y Daño Reproductivo—
www.P65Warnings.ca.gov

INSTRUCCIONES IMPORTANTES DE PROTECCIÓN

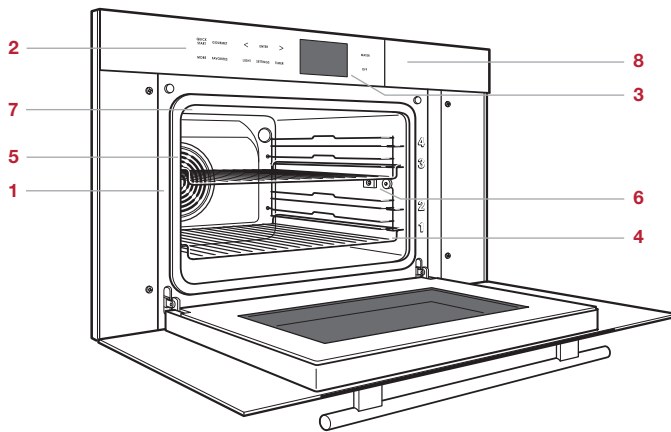
Al utilizar aparatos eléctricos siempre se deben seguir precauciones básicas de seguridad, entre ellas las siguientes:

- Lea todas las instrucciones.
- No toque las superficies calientes. Use las manijas o perillas.
- Para protegerse contra choques de electricidad, no sumerja el cable ni lo enchufe en agua u otro líquido.
- Se requiere supervisión de cerca cuando el electrodoméstico sea usado por niños o cerca de ellos.
- Desenchufe cuando no se use y antes de limpiar. Deje enfriar el electrodoméstico antes de colocar o sacar partes.
- No utilice ningún electrodoméstico que tenga el cable o enchufe dañado o que haya presentado algún problema de funcionamiento o se haya dañado de alguna forma. Lleve el electrodoméstico al centro de servicio certificado más cercano para su revisión, reparación o ajuste.
- El uso de complementos accesorios no recomendados por el fabricante puede ocasionar lesiones.
- No use en el exterior.
- No permita que el cable cuelgue sobre el borde de la mesa o el mostrador ni que toque superficies calientes.
- No coloque sobre o cerca de un quemador de gas o eléctrico caliente, o dentro de un horno caliente.
- Debe tener precauciones extremas al trasladar un electrodoméstico que contenga aceite caliente u otros líquidos calientes.
- Siempre conecte primero el enchufe al electrodoméstico, luego conecte el cable en el enchufe de la pared. Para desconectar, coloque todos los controles en “off” (apagado); luego desenchufe de la pared.
- No use el electrodoméstico para otro fin que no sea el indicado.
- Guarde estas instrucciones.

Funcionalidades del horno de vapor de convección

FUNCIONALIDADES

1	Placa de datos del producto
2	Panel de control
3	Pantalla del panel de control
4	Rejillas ajustables del horno
5	Ventilador de convección
6	Recipiente de la sonda de temperatura
7	Luz de halógeno
8	Puerta de acceso al tanque de agua



Horno de vapor de convección
(el modelo mostrado es el CSO30TM)

Primeros pasos

Sabemos que no puede esperar para empezar a cocinar, pero antes de hacerlo, dedique un poco de tiempo a leer este manual de uso y cuidado. Ya sea usted un cocinero ocasional o un chef experto, se beneficiará al conocer las prácticas de seguridad, funcionalidades, funcionamiento y recomendaciones de cuidado de su horno de vapor de convección Wolf.

Para obtener los mejores resultados revise los modos de cocción y funcionalidades especiales en la página 11.

MODELOS DE MANILLAS RETRÁCTILES

Para los modelos con mango retráctil, el mango se extenderá automáticamente cuando el panel de control se active y se retraiga cuando la unidad se apague y se haya enfriado a menos de 175°F (80°C).

⚠ PRECAUCIÓN

No abra ni cierre manualmente el asa retráctil.

Panel de control

Use el panel de control para configurar los modos de cocción y acceder a todas las funcionalidades del horno de vapor de convección para conseguir resultados excepcionales. El panel de control se volverá inactivo después de 15 minutos de inactividad. Presione cualquier control para activar la pantalla.

Ajustes del usuario

Los ajustes del usuario le permiten seleccionar sus preferencias tal como se enumeran a continuación.

AJUSTE

Establecer idioma

Ajustar pantalla

Fijar reloj

Configurar notificaciones

Descalcificar el electrodoméstico

Ajustar la dureza del agua

Ajustar volumen

Ajustar funciones de asistencia

Configurar temperatura

Ajustar bloqueo infantil

Mostrar información del electrodoméstico

Modo de demostración

Revisar la conexión

Restaurar la configuración de fábrica

Configurar los ajustes del usuario:

- 1 Con el horno encendido, presione **SETTINGS** (**CONFIGURACIÓN**).
- 2 Use las flechas para seleccionar la configuración deseada.
- 3 Presione **ENTER** (**INTRO**).
- 4 Siga las instrucciones de la pantalla.
- 5 Presione **ENTER** (**INTRO**).



Panel de control

Funcionamiento del horno

MODOS DE COCCIÓN

Seleccionar el modo de cocción:

- 1 Presione QUICK START (INICIO RÁPIDO).
- 2 Use las flechas para seleccionar el modo de cocción deseado.
- 3 Presione ENTER (INTRO).
- 4 Revise la información en la pantalla.
- 5 Presione ENTER (INTRO).

El horno arrancará 20 segundos después de la última vez que presione la tecla. Para iniciar el modo inmediatamente, use las flechas para seleccionar Start Operation (Iniciar funcionamiento) y luego presione ENTER (INTRO).

OPCIONES

Fijar temperatura:

- 1 Use las flechas para seleccionar la configuración deseada.
- 2 Presione ENTER (INTRO).

Fijar duración:

El horno se calienta inmediatamente y se apaga luego de la duración especificada. La luz del horno se enciende tres minutos antes de finalizar el tiempo.

Si se usa una sonda de temperatura, esta cancelará la hora de apagado y apagará el horno cuando se alcance la temperatura deseada.

- 1 Use las flechas para seleccionar la duración de la cocción deseada.
- 2 Presione ENTER (INTRO).

Fijar final:

La funcionalidad de fijar final enciende y apaga el horno automáticamente a una hora específica. El horno permanece inactivo hasta la hora de inicio deseada y se apaga a la hora que usted desee. El reloj debe estar configurado con la hora correcta para que el inicio retardado funcione correctamente.

Si se usa una sonda de temperatura, esta cancelará la hora de apagado y apagará el horno cuando se alcance la temperatura deseada. Si la temperatura de la sonda no se alcanza antes de la hora de apagado, no se extenderá el tiempo de funcionamiento.

- 1 Use las flechas para seleccionar el tiempo final deseado.
- 2 Presione ENTER (INTRO).

Fijar la temperatura de la sonda de alimentos:

- 1 Use las flechas para seleccionar la temperatura deseada de la sonda.
- 2 Presione ENTER (INTRO).

Funcionamiento del horno

Antes de usarlo, use la tira de prueba provista para determinar la dureza del agua. El horno vuelve a la configuración de agua dura por defecto. Consulte los Ajustes del usuario en la página 6 para configurar la dureza del agua.

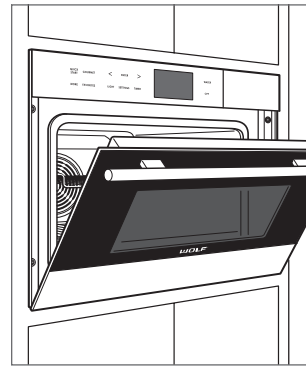
Siga los pasos siguientes para asegurarse de que todo el aceite residual del proceso de fabricación se haya eliminado.

Antes de usarlo:

- 1 Limpie cuidadosamente el horno con agua caliente y un detergente suave.
- 2 Enjuague y seque con un paño suave.
- 3 Encienda la ventilación de la cocina. Un poco de humo y olor es normal.
- 4 Rellene e instale el tanque de agua.
- 5 Seleccione vapor de convección y configure la temperatura a 410 °F (210 °C). Caliente el horno (vacío) durante 30 minutos.

Después de cada uso:

- 1 Presione OFF (APAGAR) o POWER (POTENCIA). Para los modos que usan vapor, no retire el tanque de agua hasta que aparezca en la pantalla "WATER IS BEING PUMPED OFF" (SE ESTÁ BOMBEANDO EL AGUA).
- 2 Abra la puerta hasta la posición en descanso y deje enfriar. Consulte la siguiente ilustración.
- 3 Una vez frío, seque el interior.
- 4 Cierre la puerta.



Posición de la puerta en descanso

Funcionamiento del horno

TANQUE DE AGUA

Presione WATER (AGUA) para retirar el tanque de agua.

El tanque de agua contiene suficiente agua para 1 1/2 horas de vapor continuo, generalmente lo suficiente para 4 a 5 sesiones de cocción. Use agua corriente, fría. No use agua desmineralizada, filtrada ni destilada.

Cuando se apaga el horno, el agua es bombeada de nuevo dentro del tanque, una vez que la temperatura del agua se encuentre por debajo de 175 °F (80 °C). Si se debe llenar tanque durante la cocción, limite la cantidad de agua a menos de dos tazas para evitar derrames cuando se bombee el agua de nuevo al tanque.

TEMPORIZADOR

El temporizador se puede ajustar para un máximo de 9 horas y 59 minutos. Una vez configurado el temporizador, aparece la cuenta regresiva en la pantalla. El temporizador es independiente del horno. Ajustar el temporizador no afecta el tiempo de cocción ni el tiempo de parada.

Fijar el temporizador:

- 1 Presione TIMER (TEMPORIZADOR).
- 2 Use las flechas para seleccionar la duración deseada.
- 3 Presione ENTER (INTRO).

Para configurar el temporizador, use las flechas para ajustar la duración. Para cancelar el temporizador, use la flecha izquierda para disminuir la duración a 0, luego presione ENTER (INTRO).

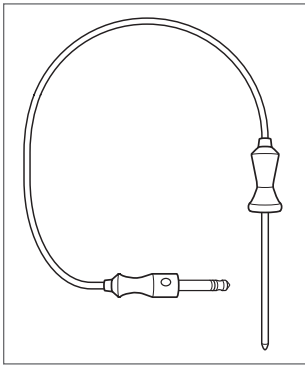
Funcionamiento del horno

SONDA DE TEMPERATURA

Use solamente la sonda de temperatura negra que viene con este electrodoméstico. Consulte la siguiente ilustración. La sonda de temperatura mide la temperatura interna de los alimentos durante la cocción. Se puede utilizar con todos los modos de cocción excepto el Más Gourmet. Cuando la sonda de temperatura esté instalada, la temperatura actual de la sonda se mostrará.

⚠ PRECAUCIÓN

Use solamente la sonda que viene con este horno. No use ninguna sonda de cualquier otro electrodoméstico.



Sonda de temperatura

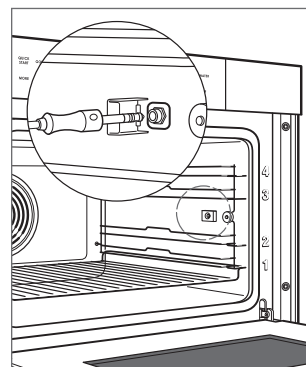
Ajustar los controles:

- 1 Coloque la sonda en la parte más gruesa de la comida.
- 2 Coloque la comida en el horno e inserte el conector en el receptáculo. Consulte la siguiente ilustración.
- 3 Seleccione el modo de cocción deseado.
- 4 Presione ENTER (INTRO).
- 5 Use las flechas para seleccionar la temperatura deseada de la sonda de alimentos.
- 6 Presione ENTER (INTRO).
- 7 Use las flechas para seleccionar la temperatura deseada de la sonda.
- 8 Presione ENTER (INTRO).

El punto configurado de temperatura de la sonda aparece en la pantalla encima del ícono. Para configurar la temperatura de la sonda, seleccione Set Food Probe Temp (Fijar temperatura de la sonda de alimentos) y use las flechas para seleccionar la temperatura deseada, luego presione ENTER (INTRO).

⚠ PRECAUCIÓN

La sonda y el receptáculo estarán muy calientes. Manipule con cuidado.



Receptáculo de la sonda

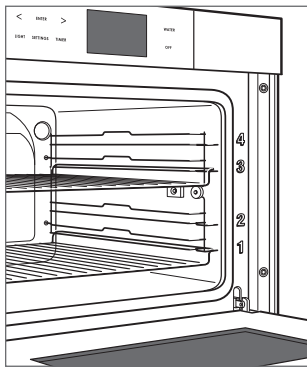
Modos de cocción

MODO	INDICADOR	RANGO	SONDA	USOS
Vapor		90 – 210 °F (30 – 100 °C)	•	Para los alimentos típicamente hervidos y los alimentos que se benefician de manejo suave como mariscos, verduras y arroz.
Convección		90 – 440 °F (30 – 230 °C)	•	Para alimentos que se benefician incluso de dorar, como pollo, patatas, galletas y asados. El ventilador de convección distribuye el calor uniformemente para obtener un bronceado consistente. Las temperaturas de cocción pueden ser 25 ° menos y los tiempos de cocción pueden ser 25% más rápidos.
Vapor de convección		180 – 440 °F (80 – 230 °C)	•	Para los alimentos que están tiernos dentro y asados o crispados afuera. El vapor, junto con el ventilador de convección, transfieren la energía a los alimentos de manera más eficiente, lo que ayuda a que los alimentos retengan la humedad. Las temperaturas de cocción pueden ser 25 ° menos y los tiempos de cocción pueden ser 25% más rápidos.
Humedad de convección		90 – 440 °F (30 – 230 °C)	•	Para alimentos que ya tienen suficiente humedad como pasteles, guisos, platos de grano y lasaña. El horno no produce vapor, pero la cavidad permanece sellada de modo que la humedad creada durante la cocción permanece en el horno. Las temperaturas de cocción pueden ser 25 ° menos y los tiempos de cocción pueden ser 25% más rápidos.
Recalentado		180 – 390 °F (80 – 200 °C)	•	Para alimentos típicamente recalentados en un horno o microondas. El vapor y el aire caliente rehidratan suavemente los alimentos.
Gourmet	—	—		Use para preparar comidas específicas (consulte la página 12), frescas, refrigeradas o congeladas. Seleccione la comida y el punto de cocción deseado y el sensor ajustará la hora, la temperatura y la humedad, por lo que no se requieren instrucciones de horneado. La temperatura preestablecida y el rango dependen de la comida y del punto de cocción deseado.

Funcionamiento del horno

POSICIÓN DE LAS REJILLAS DEL HORNO

Las rejillas del horno pueden colocarse en cualquiera de las cuatro posiciones etiquetadas sobre la cara delantera de la derecha del horno de vapor de convección. Consulte la siguiente ilustración.



Posición de la rejilla

Modos de cocción

GOURMET

Use el modo Gourmet para preparar cualquiera de las siguientes comidas, frescas o refrigeradas. Seleccione la comida y el punto de cocción deseado y el sensor ajustará la hora, la temperatura y la humedad, por lo que no se requieren instrucciones de horneado.

ALIMENTOS

Vendura

Carne

Carne de ave

Patatas

Pizza fresca

Gratinado

Guarnición

Pescado y marisco

Huevos

Productos de pas y pastelería

Cereales

Frutos u fruta

Productos lácteos

Postre

Fijar Gourmet:

- 1 Presione GOURMET.
- 2 Use las flechas para seleccionar los alimentos deseados.
- 3 Presione ENTER (INTRO).
- 4 Siga las instrucciones de la pantalla.
- 5 Presione ENTER (INTRO).

El horno arrancará 20 segundos después de la última vez que presione la tecla. Para iniciar el modo inmediatamente, use las flechas para seleccionar Start Operation (Iniciar funcionamiento) y luego presione ENTER (INTRO).

Favoritos

Los modos de cocción o alimentos usados comúnmente pueden guardarse en el sistema para un fácil acceso mediante la función FAVORITES (FAVORITOS). Se pueden guardar hasta 24 favoritos a la vez.

Crear un favorito:

- 1 Seleccione el alimento y el punto de cocción o el modo de cocción y la temperatura deseados.
- 2 Antes de que el modo de cocción empiece, presione FAVORITES (FAVORITOS).
- 3 Seleccione un archivo abierto.
- 4 Presione ENTER (INTRO).
- 5 Mediante las flechas, ingrese un nombre para el archivo.
- 6 Presione ENTER (INTRO).

Seleccionar un favorito:

- 1 Con el horno encendido, presione FAVORITES (FAVORITOS).
- 2 Use las flechas para seleccionar el archivo que será usado.
- 3 Presione ENTER (INTRO).

Más modos de cocción

Presione MORE (MÁS) para acceder a artículos Gourmet y más modos de cocción. Use las flechas para escoger la opción que desee y presione ENTER (INTRO).

MODO	USOS
Recetas	Permite al usuario almacenar modos de cocción y temperaturas individuales o secuencias de cocción usadas para preparar comidas personalizadas. Se pueden almacenar hasta 24 recetas del usuario en el sistema para fácil acceso.
Más Gourmet	Use para preparar comidas específicas, frescas, refrigeradas o congeladas. Seleccione la comida y el punto de cocción deseado y el sensor ajustará la hora, temperatura y humedad, por lo que no se requieren instrucciones. La temperatura preestablecida y el rango dependen de la comida y del punto de cocción deseado.
Hornear a vapor automático	Al recalentar primero con vapor y luego usar calor de convección para terminar de hornear, los alimentos horneados adquieren un interior suave y un exterior con brillo natural, sin necesidad de pintar con huevo. Use para todo tipo de pan, pasteles y pastas frescas, precocidas o congeladas. No precaliente.
Asado lento	Use para mantener blandas las carnes mediante el asado lento. Inserte la sonda de temperatura en la carne preparada, seleccione el ajuste de asado lento y el tiempo de finalización.
Recalentado automático	El modo recalentado usa vapor y aire caliente para rehidratar la comida delicadamente. Use para recalentar cualquier comida que hubiera recalentado en el horno, parrilla o microondas.
Spa	El modo Spa usa combinaciones de convección y vapor de calor moderado para calentar toallas, fundas o piedras para usar en masajes o relajación.
Higiene	El modo limpiar usa el vapor para lavar las maderas y los envases de conserva, y es más rápido y seguro que los métodos convencionales.
Mantener caliente	Este modo usa la combinación de calor de convección y vapor para mantener las comidas calientes.

Recomendaciones para el cuidado

DESCALCIFICACIÓN

Descalcificación dura aproximadamente 45 minutos. Dependiendo de las condiciones del agua, el horno puede necesitar una descalcificación cada 6 a 18 meses. Cuando el horno necesita una descalcificación, en la pantalla aparece “Boiler scaled up-please descale” (Calentador calcificado, descalcifique). El tiempo entre las notificaciones se basa en la dureza del agua especificada en los ajustes del usuario. Para ajustar los niveles de dureza del agua, consulte la página 6.

Use solo la solución descalcificadora Durgo!® Swiss Steamer y siga las instrucciones del fabricante. Durgo!® puede pedirse en línea en subzerowolfstore.com.

Configurar la descalcificación:

- 1 Con el horno apagado, presione SETTINGS (CONFIGURACIÓN).
- 2 Use las flechas para seleccionar Descalcificar, luego presione ENTER (INTRO). En la pantalla aparecerá “Add 1 pt (0.5 L) descaler— and touch ENTER” (Agregue 1 pt (0.5 L) de descalcificador y luego presione INTRO).
- 3 Presione WATER (AGUA) y retire el tanque de agua del horno.
- 4 Vierta el contenido completo de la solución descalcificadora Durgo!® Swiss Steamer en el tanque.
- 4 Vuelva a colocar el tanque y presione ENTER (INTRO).
- 5 Después de aproximadamente 30 minutos, aparece en la pantalla “Pour away descaler—Add 2 pt (1 L) water” (Tire el descalcificador. Agregue 2 pt (1 L) de agua). Retire el tanque de agua, abra la llave del agua y vierta el descalcificador en el drenaje.

⚠ PRECAUCIÓN

No diluir la solución de descalcificación antes de descartar puede decolorar la piletta y el drenaje.

- 6 Llene el tanque con agua corriente tibia vuelva a colocar el tanque. En la pantalla aparece “Descal appliance—1st rinsing cycle” (Descalcificación del electrodoméstico, 1° ciclo de enjuague). Después de aproximadamente 45 minutos, aparece en la pantalla “Pour away water—Descaling completed” (Tire el agua. Descalcificación completa).
- 7 Dependiendo del nivel de suciedad en el agua de enjuague, el horno determinará si son necesarios más ciclos de enjuague. Siga las instrucciones de la pantalla.
- 8 Una vez que los ciclos de enjuague se completen, retire, vacíe y seque el tanque de agua. Limpie todas las superficies de acero inoxidable.

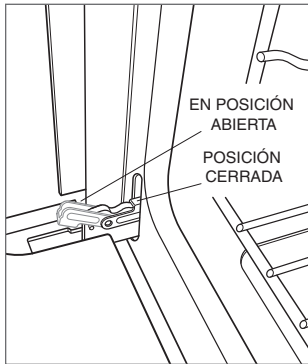
Recomendaciones para el cuidado

CÓMO QUITAR LA PUERTA DEL HORNO

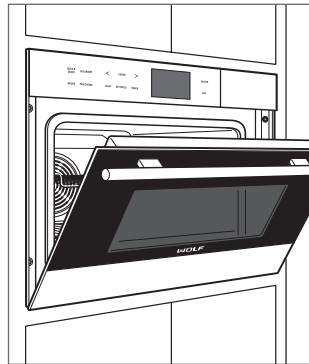
La puerta del horno se puede retirar para una limpieza profunda.

Para quitar la puerta del horno, ábrala completamente. Gire los pestillos de las bisagras hacia adelante a la posición abierta. Cierre la puerta hasta la posición en descanso, luego levante hacia arriba y hacia afuera. Consulte las siguientes ilustraciones.

Para volver a instalar, inserte las bisagras de la puerta en las aberturas del marco. Abra la puerta del horno completamente y gire ambos pestillos de las bisagras hacia atrás a la posición cerrada.



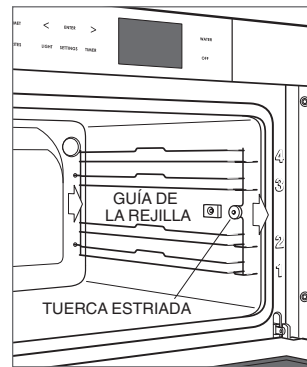
Pestillo de la bisagra de la puerta del horno



Posición de la puerta en descanso

RETIRAR LAS GUÍAS DE LA REJILLA

Para retirar las guías del estante, desatornille la tuerca estriada del frente de la guía del estante. Hale la guía del estante hacia el costado del perno roscado y retire desde el frente. Consulte la siguiente ilustración.



Retirar la guía del estante

Recomendaciones para el cuidado

LIMPIEZA

Acero inoxidable	Utilice un limpiador no abrasivo para acero inoxidable y aplique con un paño suave que no deje pelusa. Para resaltar el lustre natural, limpie suavemente la superficie con una tela de microfibra humedecida con agua y, luego, pule en seco con una gamuza. Siempre siga la dirección del acabado del acero inoxidable.
Frente de la puerta	Rocíe líquido limpiador de cristales en un paño para limpiar.
Panel de control	Utilice desengrasante en aerosol para retirar las marcas de los dedos y los residuos de alimentos. Rocíe el producto en un paño antes de limpiar el panel. No aplique los limpiadores directamente sobre el panel de control.
Interior	Para una limpieza general, inicie el modo Vapor a 175 °F (80 °C) durante 30 minutos. Este procedimiento aflojará la grasa y los residuos de cocción del horno. Apague el horno y limpie el interior con un paño. Use un trapo húmedo y jugo de limón para limpiar las manchas de agua y opacidad azulosa. No utilice un limpiador a vapor.
Rejillas del horno y guías de las rejillas	Las rejillas del horno y las guías de las rejillas se pueden limpiar en el lavavajillas.
Bandejas de acero inoxidable	Las bandejas de acero inoxidable comunes o perforadas se pueden limpiar en el lavavajillas.
Tanque de agua	Las marcas de agua y la acumulación de calcio se pueden eliminar con un descalcificador común. No limpie el tanque de agua en el lavavajillas.
Sonda de temperatura	Limpie con un paño y agua. Use un detergente suave para las manchas difíciles. No sumerja la sonda en agua ni la limpie en el lavavajillas.

Solución de problemas

FUNCIONAMIENTO

El horno no funciona.

- Compruebe que esté encendida.
- Compruebe que la corriente eléctrica del horno y el interruptor de circuito de la casa estén encendidos.

Problemas con la temperatura del horno.

- Póngase en contacto con atención al cliente de Wolf al 800-222-7820 para recomendaciones.

No funciona la luz.

- Si el foco está defectuoso, llame al servicio autorizado de Wolf.

El horno hace ruido durante el funcionamiento.

- El horno puede emitir sonidos de intercambio y bombeo durante el funcionamiento. Estos sonidos son normales.

Es difícil retirar las bandejas del horno.

- Algunas combinaciones de calor, humedad y ubicación de alimentos pueden hacer que las bandejas del horno se tuerzan, pero las bandejas volverán a su forma original cuando se enfríen.

En la pantalla aparece “Do not remove water tank” (No retire el tanque de agua).

- El agua en el calentador no es bombeada hacia afuera hasta que su temperatura baje a menos de 175 °F (80 °C).

En la pantalla aparece “Boiler scaled up, please descale!” (Calentador calcificado, descalcifique).

- Descalcificar el horno. Consulte la página 14.

En la pantalla aparece “Appliance blocked, descaling necessary” (Electrodoméstico bloqueado, se necesita descalcificación).

- Descalcificar el horno. Consulte la página 14. Si el mensaje no desaparece después de descalcificar, póngase en contacto con el servicio autorizado de Wolf.

Servicio

- Para mantener la calidad incorporada en su producto, póngase en contacto con el servicio certificado de fábrica de Wolf. Para conocer los datos del centro de servicio certificado de fábrica de Wolf más cercano, eche un vistazo a la sección de contacto y servicio técnico en nuestro sitio web, wolfappliance.com o bien, llame a la línea de atención al cliente de Wolf al 800-222-7820.
- Al comunicarse con el servicio, necesitará el modelo y el número de serie de su producto. Los dos números aparecen en la placa de datos del producto. Consulte la página 5 para encontrar la placa de datos.
- Para fines de la garantía, también necesitará la fecha de instalación y el nombre de su distribuidor autorizado de Wolf. Esta información debe estar registrada en la página 2 de este manual.

Garantía limitada residencial de Wolf Appliance

PARA USO RESIDENCIAL

GARANTÍA COMPLETA DE DOS AÑOS*

Durante dos años a partir de la fecha de la instalación original, la garantía de su producto Wolf Appliance cubre todas las piezas y mano de obra para reparar o cambiar, bajo el uso residencial normal, cualquier pieza del producto que se compruebe estar defectuosa en material o mano de obra. Todos los servicios proporcionados por Wolf Appliance bajo la garantía anterior deben ser ejecutados por servicios certificados de fábrica de Wolf, a menos que Wolf Appliance, Inc. lo especifique de otra manera. El Servicio se hará durante el horario comercial normal.

GARANTÍA LIMITADA DE CINCO AÑOS

Durante cinco años a partir de la fecha de la instalación original, Wolf Appliance reparará o cambiará los siguientes componentes que se comprueben estar defectuosos en material o mano de obra: quemadores de gas (excluyendo la apariencia), elementos eléctricos de calentamiento, motores de sopladores (campanas de ventilación), módulos de control eléctrico, tubos magnetrón y generadores de inducción. Si el propietario utiliza el servicio certificado de fábrica de Wolf, el prestador del servicio reparará o reemplazará estas partes mediante el pago de todos los otros costos, incluyendo mano de obra, a cargo del propietario. Si el propietario usa un servicio no certificado, debe ponerse en contacto con Wolf Appliance, Inc. (mediante la información anotada más adelante) para recibir los componentes reparados o de cambio. Wolf Appliance no reembolsará al propietario los importes correspondientes a componentes comprados a un servicio no certificado o a otras fuentes.

TÉRMINOS APLICABLES A CADA GARANTÍA

La garantía se aplica solamente a los productos instalados para uso residencial normal. La garantía se aplica solamente a los productos instalados en cualquiera de los cincuenta estados de Estados Unidos, el Distrito de Columbia o las diez provincias de Canadá. Esta garantía no cubre las partes o mano de obra para corregir cualquier defecto causado por negligencia, accidente o uso, mantenimiento, instalación, servicio o reparación inadecuados.

LOS RECURSOS DESCRITOS ANTERIORMENTE PARA CADA GARANTÍA SON LOS ÚNICOS QUE WOLF APPLIANCE, INC. PROPORCIONARÁ, YA SEA BAJO ESTA GARANTÍA O BAJO CUALQUIER GARANTÍA QUE RESULTE DE LA APLICACIÓN DE LA LEY. WOLF APPLIANCE, INC. NO SE HACE RESPONSABLE POR LOS DAÑOS INDIRECTOS O INCIDENTALES DERIVADOS DEL INCUMPLIMIENTO DE ESTA GARANTÍA O CUALQUIER OTRA GARANTÍA, YA SEA EXPRESA, IMPLÍCITA O LEGAL.

Algunos estados no permiten la exclusión o limitación de daños fortuitos o imprevistos, por lo que la limitación o exclusión anterior podría no aplicar a su caso. Esta garantía le otorga derechos legales específicos y usted también puede tener otros derechos legales que varían entre estados.

Para recibir las partes o el servicio y el nombre del servicio certificado de fábrica de Wolf más cercano a usted, póngase en contacto con Wolf Appliance, Inc., P.O. Box 44848, Madison, WI 53744; eche un vistazo a la sección de contacto y servicio técnico en nuestro sitio web, wolfappliance.com, envíenos un correo electrónico a customerservice@subzero.com o llame al 800-222-7820.

*Las puertas, paneles, asas, marcos y superficies internas de acero inoxidable están cubiertas por una garantía limitada de 60 días para repuestos y mano de obra, por defectos cosméticos.

*Los filtros de repuesto para los kits de circulación de la campana de ventilación no están cubiertos por la garantía del producto.



Table des matières

- 4 Précautions de sécurité
- 6 Caractéristiques du four à convection et vapeur
- 7 Fonctionnement du four à convection et vapeur
- 16 Conseils d'entretien
- 17 Dépannage
- 19 Garantie Wolf

Service à la clientèle

Le numéro de modèle et le numéro de série sont imprimés sur la fiche d'enregistrement du produit ci-jointe. Les deux numéros sont aussi indiqués sur la plaque signalétique du produit. Reportez-vous à la page 5 pour connaître l'emplacement de la plaque signalétique. Pour les besoins de la garantie, vous devrez aussi avoir la date d'installation et le nom de votre dépositaire Wolf autorisé. Inscrivez ces renseignements ci-dessous pour consultation ultérieure.

RENSEIGNEMENTS SUR LE SERVICE

Numéro de modèle

Numéro de série

Date de l'installation

Nom du service certifié

Numéro du service certifié

Dépositaire autorisé

Numéro du dépositaire

Si votre produit a besoin d'être réparé, assurez-vous d'utiliser un fournisseur de service certifié par l'usine Wolf recommandé par notre centre de service à la clientèle, ou sélectionnez-en un parmi la liste de fournisseurs disponibles à wolfappliance.com/locator. Tous les fournisseurs de service certifiés par l'usine sont soigneusement sélectionnés et rigoureusement formés par nous.

Remarque importante

Pour s'assurer que ce produit est installé et utilisé en toute sécurité et aussi efficacement que possible, prenez note des types de renseignement mis en évidence tout au long de ce guide :

REMARQUE IMPORTANTE met en évidence des renseignements qui sont particulièrement importants.

MISE EN GARDE indique une situation où une blessure mineure ou des dommages au produit peuvent se produire si les directives ne sont pas respectées.

AVERTISSEMENT décrit un danger qui peut causer une blessure grave ou la mort si les précautions ne sont pas respectées.

REMARQUE IMPORTANTE : Tout au long de ce guide, les dimensions entre parenthèses sont en millimètres à moins d'indication contraire.

PRÉCAUTIONS DE SÉCURITÉ

Ce four a été fabriqué pour atteindre des normes reconnues dans les domaines de la technologie et de la sécurité et a été conçu pour une utilisation à la maison pour la préparation des aliments. Il n'a pas été conçu pour une utilisation par des personnes de capacités physiques, sensorielles ou intellectuelles réduites, ou par des personnes manquant d'expérience ou de connaissances, à moins d'être supervisées ou d'avoir reçu des directives concernant l'utilisation de l'appareil par une personne responsable de leur sécurité. Une utilisation correcte est essentielle pour éviter les dommages ou les accidents.

L'installation et la connexion à l'alimentation électrique doivent être effectuées par un électricien qualifié, conformément aux directives d'installation fournies.

Avant la première utilisation, veuillez remplir le réservoir d'eau et effectuer les tâches qui y sont liées, comme elles sont décrites dans la section Avant l'utilisation.

Veuillez conserver ce guide pour toute référence ultérieure. Si vous vendez l'appareil ou le transmettez à un tiers, veuillez à joindre ces directives à l'appareil, avec les directives d'installation.

▲ AVERTISSEMENT

PROPOSITION 65 POUR RESIDENTS DE LA CALIFORNIE

Cancer et Troubles de l'appareil reproducteur—
www.P65Warnings.ca.gov

MESURES DE PROTECTION IMPORTANTES

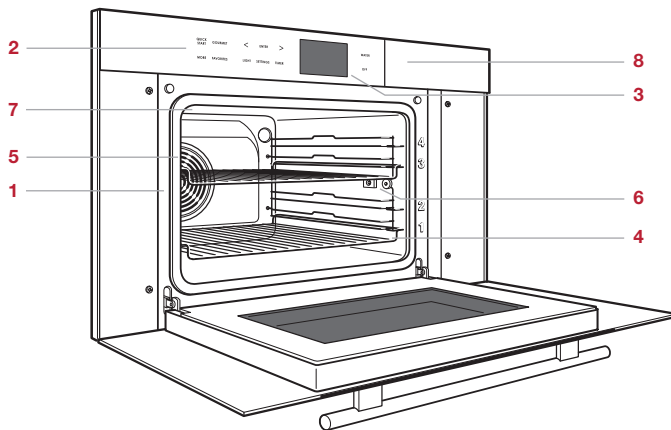
Pendant l'utilisation d'appareils électriques, des précautions de sécurité de base doivent toujours être respectées, y compris les suivantes :

- Lisez toutes les directives.
- Ne touchez pas aux surfaces chaudes. Utilisez des poignées ou les boutons.
- Pour vous protéger contre les chocs électriques, n'immergez pas le cordon ou la fiche dans l'eau ou tout autre liquide.
- Une surveillance attentive est nécessaire lorsqu'un appareil est utilisé par des enfants ou à leur proximité.
- Débranchez d'appareil de la prise lorsqu'il n'est pas utilisé et avant le nettoyage. Laissez l'appareil refroidir avant d'installer ou de retirer des pièces.
- Ne faites pas fonctionner un appareil dont la prise ou le cordon d'alimentation sont endommagés ou si l'appareil ne fonctionne pas correctement ou s'il a été endommagé de quelque manière que ce soit. Retournez l'appareil au centre de service certifié par l'usine le plus proche pour tout examen, réparation ou réglage.
- L'utilisation d'accessoires non recommandés par le fabricant de l'appareil peut causer des blessures.
- N'utilisez pas à l'extérieur.
- Ne laissez pas le cordon pendre sur le rebord d'une table ou d'un comptoir, ni toucher à des surfaces chaudes.
- Ne placez pas sur ou à proximité d'un brûleur électrique ou à gaz chaud ou dans un four chaud.
- Faites extrêmement attention lorsque vous déplacez un appareil contenant de l'huile chaude ou d'autres liquides chauds.
- Branchez toujours la fiche sur l'appareil en premier, puis branchez le cordon sur une prise murale. Pour le débrancher, placez toutes les commandes à la position d'arrêt, puis retirez la fiche de la prise murale.
- N'utilisez pas l'appareil pour des usages autres que celui prévu.
- Conservez ces directives.

Caractéristiques des fours à convection et vapeur

CARACTÉRISTIQUES

1	Plaque signalétique du produit
2	Panneau de commande
3	Écran du panneau de commande
4	Grilles de four réglables
5	Ventilateur à convection
6	Prise de la sonde de température
7	Éclairage halogène
8	Porte d'accès du réservoir d'eau



Four à convection et vapeur (CSO30TM illustré)

Comment commencer

Nous savons que vous êtes impatient de commencer à cuisiner, mais avant de le faire, veuillez prendre quelques instants pour lire ce guide d'utilisation et d'entretien. Que vous soyez un cuisinier occasionnel ou un chef expert, il vous sera bénéfique de vous familiariser avec les pratiques de sécurité, les fonctions, le fonctionnement et les recommandations d'entretien de votre four à convection et vapeur Wolf.

Pour obtenir les meilleurs résultats, examinez les modes de cuisson et les caractéristiques spéciales à la page 11.

MODÈLES DE POIGNÉES RÉTRACTABLES

Pour les modèles munis d'une poignée rétractable, la poignée s'allonge automatiquement lorsque le panneau de commande est activé et se rétracte lorsque l'unité est éteinte et a refroidi à moins de 175°F (80°C).

⚠ MISE EN GARDE

Ne pas ouvrir ou fermer manuellement la poignée rétractable.

Panneau de commande

Utilisez le panneau de commande pour régler les modes de cuisson et accéder à toutes les caractéristiques du four à convection et vapeur afin d'obtenir des résultats exceptionnels. Le panneau de commande devient inactif après 15 minutes d'inactivité. Appuyez sur l'une ou l'autre des commandes pour activer l'écran.

Paramètres de l'utilisateur

Les paramètres de l'utilisateur permettent à ce dernier de choisir des préférences pour les options indiquées dans le tableau ci-dessous.

PARAMÈTRE

Réglage de la langue

Ajustement de l'écran

Réglage de l'horloge

Configuration des notifications

Détartrage de l'appareil

Réglage de la dureté de l'eau

Réglage du volume

Réglage des fonctions d'aide

Configuration de la température

Réglage du verrouillage pour la sécurité des enfants

Affichage des renseignements sur l'appareil

Mode de démonstration

Vérification de la connexion

Rétablissement des paramètres réglés en usine

Réglage des paramètres de l'utilisateur :

- 1 Avec le four en marche, appuyez sur SETTINGS (paramètres).
- 2 Utilisez les flèches pour sélectionner le paramètre voulu.
- 3 Touchez à ENTER (entrée).
- 4 Suivez les directives affichées sur l'écran.
- 5 Touchez à ENTER (entrée).



Panneau de commande

Fonctionnement du four

MODES DE CUISSON

Sélection du mode de cuisson :

- 1 Touchez à QUICK START (démarrage rapide).
- 2 Utilisez les flèches pour sélectionner le mode de cuisson voulu.
- 3 Touchez à ENTER (entrée).
- 4 Examinez les renseignements affichés sur l'écran.
- 5 Touchez à ENTER (entrée).

L'unité se mettra en marche 20 secondes après le dernier appui d'une touche. Pour commencer le mode immédiatement, utilisez les flèches pour sélectionner Commencer le fonctionnement, puis touchez à ENTER (entrée).

OPTIONS

Réglage de la température :

- 1 Utilisez les flèches pour sélectionner la température voulue.
- 2 Touchez à ENTER (entrée).

Réglage de la durée :

Le four se chauffe immédiatement et s'éteint après la durée précisée. La lumière du four s'allume trois minutes avant la fin de la durée.

Si la sonde de température est utilisée, la sonde a priorité sur l'heure d'arrêt et éteint le four lorsque la température programmée est atteinte.

- 1 Utilisez les flèches pour sélectionner la durée de cuisson voulue.
- 2 Touchez à ENTER (entrée).

Réglage de la fin :

La fonction de réglage de la fin allume et éteint automatiquement le four à des heures précisées. Le four demeure en attente jusqu'à l'heure de mise en marche désirée et s'éteint à l'heure d'arrêt désirée. L'horloge doit être réglée à la bonne heure pour que la mise en marche différée fonctionne correctement.

Si la sonde de température est utilisée, la sonde a priorité sur l'heure d'arrêt et éteint le four lorsque la température programmée est atteinte. Si la température de la sonde n'est pas atteinte avant l'heure d'arrêt, la durée de fonctionnement ne sera pas prolongée.

- 1 Utilisez les flèches pour sélectionner l'heure d'arrêt voulue.
- 2 Touchez à ENTER (entrée).

Réglage de la température de la sonde d'aliment :

- 1 Utilisez les flèches pour sélectionner la température de sonde voulue.
- 2 Touchez à ENTER (entrée).

Fonctionnement du four

Avant l'utilisation, utilisez la bandelette de test fournie pour déterminer la dureté de l'eau. Le four sélectionne eau dure par défaut. Reportez-vous à Paramètres de l'utilisateur à la page 6 pour régler la dureté de l'eau.

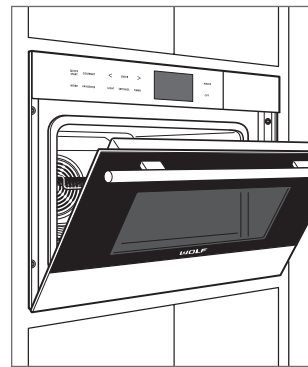
Suivez les étapes ci-dessous pour vous assurer que toute huile résiduelle du processus de fabrication a été éliminée.

Avant l'utilisation :

- 1 Nettoyez le four à fond avec de l'eau chaude et un détergent doux.
- 2 Rincez et séchez avec un chiffon doux.
- 3 Mettez la ventilation de cuisson en marche. Il est normal de voir de la fumée et de sentir une odeur.
- 4 Remplissez et installez le réservoir d'eau.
- 5 Sélectionnez Convection et vapeur et réglez la température à 410 °F (210 °C). Faites chauffer le four (vide) pendant 30 minutes.

Après chaque utilisation :

- 1 Touchez à OFF (éteint) ou POWER (alimentation). Pour les modes utilisant la vapeur, ne retirez pas le réservoir d'eau avant que les mots "WATER IS BEING PUMPED OFF" (EAU EN COURS DE POMPAGE) disparaissent de l'écran.
- 2 Ouvrez la porte jusqu'à sa position de repos et laissez le four refroidir. Reportez-vous à l'illustration ci-dessous.
- 3 Une fois refroidi, essuyez pour sécher l'intérieur.
- 4 Fermez la porte.



Porte en position de repos

Fonctionnement du four

RÉSERVOIR D'EAU

Touchez à WATER (eau) pour retirer le réservoir d'eau.

Le réservoir d'eau contient suffisamment d'eau pour 1 1/2 heure de vapeur en continu, ce qui est généralement suffisant pour quatre à cinq sessions de cuisson. Utilisez de l'eau froide du robinet. N'utilisez pas de l'eau déminéralisée, filtrée ou distillée.

Lorsque le four est éteint, l'eau est pompée à nouveau dans le réservoir lorsque la température de l'eau est en dessous de 175 °F (80 °C). Si le réservoir doit être rempli pendant la cuisson, limitez la quantité d'eau à moins de deux tasses pour éviter tout débordement lorsque l'eau est pompée à nouveau dans le réservoir.

MINUTERIE

La minuterie peut être réglée pour une période maximale de 9 heures et 59 minutes. Une fois la minuterie programmée, le décompte s'affiche sur l'écran. La minuterie est indépendante du four. Le réglage de la minuterie n'affecte pas la durée de fonctionnement ou l'heure d'arrêt.

Réglage de la minuterie :

- 1 Touchez à TIMER (minuterie).
- 2 Utilisez les flèches pour régler la durée voulue.
- 3 Touchez à ENTER (entrée).

Pour régler la minuterie, utilisez les flèches pour modifier la durée. Pour annuler la minuterie, utilisez la flèche de gauche pour réduire la durée jusqu'à 0, puis touchez à ENTER (entrée).

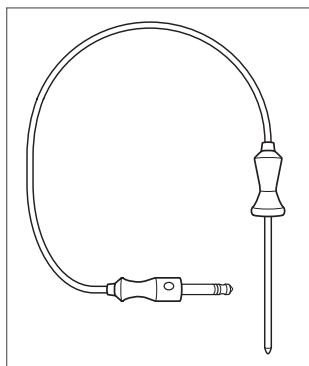
Fonctionnement du four

SONDE DE TEMPÉRATURE

Utilisez uniquement la sonde de température noire expédiée avec cet appareil. Reportez-vous à l'illustration ci-dessous. La sonde de température mesure la température interne des aliments pendant la cuisson. Elle peut être utilisée avec tous les modes de cuisson, sauf More Gourmet (Autre gastronomique). Lorsque la sonde de température est installée, la température réelle de la sonde est affichée.

⚠ MISE EN GARDE

Utilisez uniquement la sonde expédiée avec ce four.
N'utilisez pas une sonde provenant d'un autre appareil.



Sonde de température

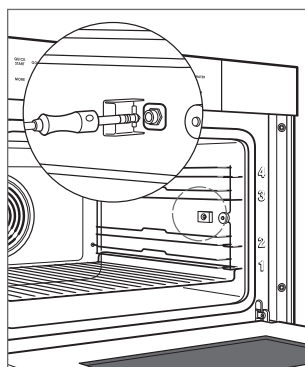
Réglage des commandes :

- 1 Insérez la sonde dans la zone la plus épaisse de l'aliment.
- 2 Placez l'aliment dans le four et insérez le connecteur dans la prise. Reportez-vous à l'illustration ci-dessous.
- 3 Sélectionnez le mode de cuisson désiré.
- 4 Touchez à ENTER (entrée).
- 5 Utilisez les flèches pour sélectionner Réglage de la température de la sonde d'aliment.
- 6 Touchez à ENTER (entrée).
- 7 Utilisez les flèches pour sélectionner la température de sonde voulue.
- 8 Touchez à ENTER (entrée).

Le point de réglage de la température de la sonde apparaît sur l'écran au-dessus de l'icône. Pour régler la température de la sonde, sélectionnez Réglage de la température de la sonde d'aliment, utilisez les flèches pour sélectionner la température voulue, puis touchez à ENTER (entrée).






⚠ MISE EN GARDE

La sonde et la prise de la sonde seront très chaudes.
Manipulez-les avec soin.



Prise de la sonde

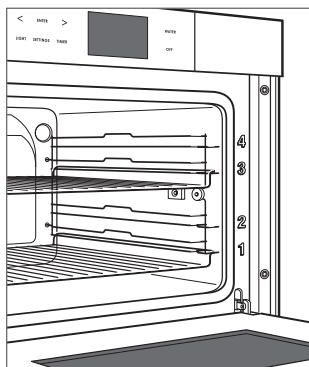
Modes de cuisson

MODE	INDICATEUR	ÉTENDUE	SONDE	UTILISATIONS
Vapeur		90 – 210 °F (30 – 100 °C)	•	Pour les aliments généralement bouillis et les aliments qui bénéficient d'une manipulation douce comme les fruits de mer, les légumes et le riz.
Convection		90 – 440 °F (30 – 230 °C)	•	Pour les aliments qui bénéficient même du brunissement comme le poulet, les pommes de terre, les biscuits et les rôtis. Le ventilateur de convection distribue uniformément la chaleur pour un brunissement uniforme. Les températures de cuisson peuvent être inférieures de 25 ° et les temps de cuisson peuvent être 25% plus rapides.
Convection avec vapeur		180 – 440 °F (80 – 230 °C)	•	Pour les aliments qui sont tendre à l'intérieur et rôtis ou croustillés à l'extérieur. La vapeur, avec le ventilateur de convection, transfère l'énergie aux aliments de manière plus efficace, ce qui aide les aliments à conserver l'humidité. Les températures de cuisson peuvent être inférieures de 25 ° et les temps de cuisson peuvent être 25% plus rapides.
Convection humide		90 – 440 °F (30 – 230 °C)	•	Pour les aliments qui ont déjà suffisamment d'humidité comme les gâteaux, les casseroles, les céréales et les lasagnes. Le four ne produit pas de vapeur, mais la cavité reste scellée de sorte que l'humidité créée pendant la cuisson reste au four. Les températures de cuisson peuvent être inférieures de 25 ° et les temps de cuisson peuvent être 25% plus rapides.
Réchauffer		180 – 390 °F (80 – 200 °C)	•	Pour les aliments généralement réchauffés dans un four ou un four à micro-ondes. La vapeur et l'air chaud réhydratent doucement les aliments.
Gourmet (gastronomique)	—	—		Utilisez pour préparer des aliments précisés (reportez-vous à la page 12), frais, réfrigérés ou surgelés. Sélectionnez l'aliment et la cuisson voulue, et le capteur ajuste la durée, la température et l'humidité, de sorte qu'aucune directive de cuisson ne soit requise. La température et l'étendue prédéfinies dépendent de l'aliment et de la cuisson voulue.

Fonctionnement du four

POSITION DES GRILLES DE FOUR

Les grilles du four peuvent être placées dans l'une des quatre positions indiquées à droite du panneau avant du four à convection et vapeur. Reportez-vous à l'illustration ci-dessous.



Position des grilles

Modes de cuisson

GOURMET (gastronomique)

Utilisez le mode Gourmet (gastronomique) pour préparer tous les aliments énumérés ci-dessous, frais ou réfrigérés. Sélectionnez l'aliment et la cuisson voulue, et le capteur ajuste la durée, la température et l'humidité, de sorte qu'aucune directive de cuisson ne soit requise.

ALIMENT

Légumes

Viande

Volaille

Pommes de terre

Pizza fraîche

Soufflés et gratins

Garnitures

Poisson et fruits de mer

Œufs

Pains et pâtisseries

Céréales

Fruits

Produits laitiers

Desserts

Réglage du mode Gourmet (gastronomique) :

- 1 Touchez à GOURMET (gastronomique).
- 2 Utilisez les flèches pour sélectionner l'aliment voulu.
- 3 Touchez à ENTER (entrée).
- 4 Suivez les directives sur l'écran.
- 5 Touchez à ENTER (entrée).

L'unité se mettra en marche 20 secondes après le dernier appui d'une touche. Pour commencer le mode immédiatement, utilisez les flèches pour sélectionner Commencer le fonctionnement, puis touchez à ENTER (entrée).

Préférés

Modes de cuisson ou aliments utilisés souvent qui peuvent être enregistrés dans le système pour en faciliter l'accès grâce à la fonction FAVORITES (préférés). Jusqu'à 24 préférés peuvent être enregistrés à la fois.

Créer un préféré :

- 1 Sélectionnez l'aliment voulu et la cuisson ou le mode de cuisson et la température.
- 2 Avant que le mode de cuisson se mette en marche, touchez à FAVORITES (préférés).
- 3 Sélectionnez un fichier libre.
- 4 Touchez à ENTER (entrée).
- 5 En utilisant les flèches, saisissez un nom pour le fichier.
- 6 Touchez à ENTER (entrée).

Sélectionner un préféré :

- 1 Avec le four en marche, appuyez sur FAVORITES (préférés).
- 2 Utilisez les flèches pour sélectionner le fichier que vous voulez utiliser.
- 3 Touchez à ENTER (entrée).

Autres modes de cuisson

Touchez à MORE (autres) pour accéder à des éléments gastronomiques et des modes de cuisson supplémentaires. Utilisez les flèches pour choisir l'option que vous voulez et touchez à ENTER (entrée).

MODE	UTILISATIONS
Recettes	Permet à l'utilisateur d'enregistrer des modes et des températures de cuisson individuels ou des séquences de cuisson utilisées pour préparer des aliments personnalisés. Jusqu'à 24 recettes d'utilisateur différentes peuvent être enregistrées dans le système et facilement accédées.
Autre gastronomique	Utilisez pour préparer des aliments précisés; frais, réfrigérés ou surgelés. Sélectionnez l'aliment et la cuisson voulue, et le capteur ajuste la durée, la température et l'humidité, de sorte qu'aucune directive de cuisson ne soit requise. La température et l'étendue prédéfinies dépendent de l'aliment et du niveau de cuisson voulue.
Cuisson vapeur automatique	En chauffant d'abord à la vapeur, puis en utilisant la chaleur par convection pour terminer la cuisson, les produits de pâtisserie obtiennent un intérieur moelleux et un extérieur avec une brillance naturelle, sans devoir les dorer à l'œuf. Utilisez pour les pains, les brioches, les gâteaux et les pâtisseries frais, précuits ou surgelés. Ne faites pas préchauffer.
Rôtisserie lente	Utilisez pour conserver la tendresse des viandes en les faisant rôtir lentement. Insérez la sonde de température dans les viandes préparées, sélectionnez un réglage de rôtisserie lente et une durée de cuisson.
Réchauffage automatique	Le mode Réchauffage utilise la vapeur et l'air chaud pour réhydrater doucement l'aliment. Utilisez pour réchauffer tous les aliments que vous auriez réchauffés dans un four, sur une cuisinière ou dans un four à micro-ondes.
Spa	Spa utilise des combinaisons de chaleur à convection et à vapeur douce pour chauffer des serviettes, des enveloppes ou des pierres pour usage lors de massages ou pour la relaxation.
Désinfection	Nettoyage utilise la vapeur pour nettoyer les biberons de bébé et les bocaux, et il est plus rapide et plus sûr que les méthodes conventionnelles.
Garder au chaud	Garder au chaud utilise une combinaison de chaleur par convection et par vapeur pour garder les aliments chauds.

Conseils d'entretien

DÉTARTRAGE

Détartrage dure environ 45 minutes. Selon les conditions de votre eau, le four peut avoir besoin d'être détartré tous les six à 18 mois. Lorsque le four a besoin d'être détartré, les mots "Boiler scaled up-please descale" (Chaque-eau entartré—veuillez détartrer) apparaissent sur l'écran. La durée entre les notifications est basée sur la dureté de l'eau précisée dans les paramètres de l'utilisateur. Pour régler le niveau de dureté de l'eau, reportez-vous à la page 6.

Utilisez uniquement la solution de détartrage Durgol® Swiss Steamer et suivez les directives du fabricant. Il est possible de commander Durgol® en ligne à subzerowolfstore.com.

Réglage du détartrage :

- 1 Avec le four arrêté, touchez à SETTINGS (paramètres).
- 2 Utilisez les flèches pour sélectionner Détartrer, puis touchez à ENTER (entrée). "Add 1 pt (0.5 L) descaler—and touch ENTER" (Ajoutez 1 pt (0,5 L) de solution de détartrage—et touchez à ENTER) apparaît sur l'écran.
- 3 Touchez à WATER (eau) et retirez le réservoir d'eau de l'unité.
- 4 Versez toute la solution de détartrage Durgol® Swiss Steamer dans le réservoir.
- 4 Installez le réservoir et touchez à ENTER (entrée).
- 5 Après environ 30 minutes, "Pour away descaler—Add 2 pt (1 L) water" (Jetez la solution de détartrage—Ajoutez 2 pt (1 L) d'eau) apparaît sur l'écran. Retirez le réservoir d'eau, ouvrez le robinet de l'évier et versez la solution de détartrage dans le drain.

▲ MISE EN GARDE

Ne pas diluer la solution de détartrage avant de la jeter peut créer une décoloration de l'évier et du drain.

- 6 Remplissez le réservoir avec de l'eau tiède du robinet, puis installez le réservoir. "Descale appliance—1st rinsing cycle" (Détartrage de l'appareil—1^{er} cycle de rinçage) apparaît sur l'écran. Après environ 45 minutes, "Pour away water—Descaling completed" (Jetez l'eau—Détartrage terminé) apparaît sur l'écran.
- 7 Selon le niveau de saleté dans l'eau de rinçage, le four détermine si d'autres cycles de rinçage sont nécessaires. Suivez les directives sur l'écran.
- 8 Une fois les cycles de rinçage terminés, retirez, videz et séchez le réservoir d'eau. Essayez toutes les surfaces en acier inoxydable.

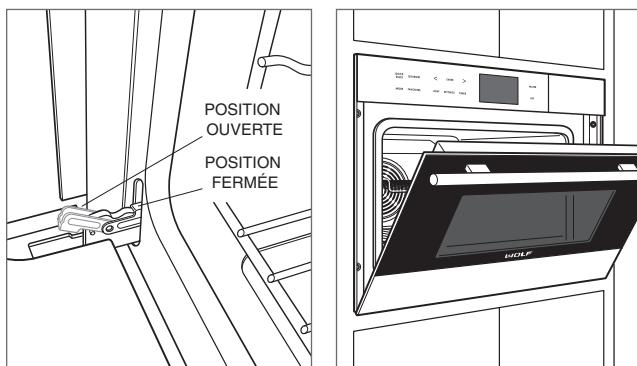
Conseils d'entretien

RETRAIT DE LA PORTE DU FOUR

La porte du four peut être enlevée pour un meilleur nettoyage.

Pour retirer, ouvrez la porte du four complètement. Faites pivoter les deux loquets de charnière vers l'avant en position ouverte. Fermez la porte jusqu'à la position de repos, puis soulevez-la pour la retirer. Reportez-vous aux illustrations ci-dessous.

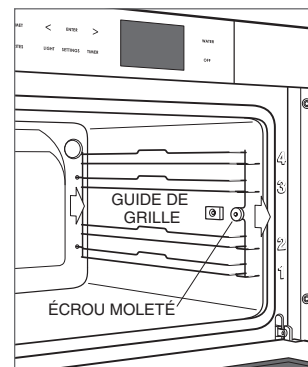
Pour la remettre en place, insérez les charnières de la porte dans les ouvertures du cadre. Ouvrez la porte du four complètement et faites tourner les deux loquets de charnière vers l'arrière en position fermée.



Loquet de charnière de la porte Porte en position de repos du four

RETRAIT DES GUIDES DE GRILLE

Pour retirer les guides de grille, dévissez l'écrou moleté situé sur l'avant du guide de grille. Tirez le guide de grille sur le côté du goujon fileté et retirez-le de l'avant du four. Reportez-vous à l'illustration ci-dessous.



Retrait du guide de grille

Conseils d'entretien

NETTOYAGE

Acier inoxydable	Utilisez un nettoyant non abrasif pour l'acier inoxydable et appliquez-le avec un chiffon doux non pelucheux. Pour faire ressortir le lustre naturel, essuyez légèrement la surface avec un chiffon en microfibre humecté d'eau, suivi d'un chamois à polir sec. Suivez toujours le grain de l'acier inoxydable.
Devant de la porte	Pulvérisez du nettoyant à vitre sur un chiffon propre.
Panneau de commande	Utilisez un dégraissant pulvérisé pour éliminer les empreintes de doigts et les taches de nourriture. Pulvérisez sur un chiffon avant d'essuyer le panneau. Ne pulvérisez pas les produits à nettoyer directement sur le panneau de commande.
Intérieur	Pour le nettoyage général, mettez le mode Vapeur en marche à 175 °F (80 °C) pendant 30 minutes. Cela délogera la graisse et les débris de cuisson du four. Éteignez le four et essuyez l'intérieur avec un chiffon. Utilisez un chiffon humecté de jus de citron pour essuyer l'eau et les taches de ternissure bleues. N'utilisez pas un nettoyeur à vapeur.
Grilles et guides de grille du four	Les grilles et les guides de grille du four peuvent être lavés dans le lave-vaisselle.
Plaques en acier inoxydable	Les plaques en acier inoxydable solides et perforées peuvent être lavées dans le lave-vaisselle.
Réservoir d'eau	Les marques laissées par l'eau et les accumulations de calcium peuvent être nettoyées à l'aide d'un détartrant ordinaire. Ne lavez pas le réservoir d'eau dans un lave-vaisselle.
Sonde de température	Essuyez avec un chiffon doux et de l'eau. Un détergent doux peut être utilisé pour les taches rebelles. Ne submergez pas la sonde dans l'eau et ne la lavez pas dans le lave-vaisselle.

Dépannage

FONCTIONNEMENT

Le four ne fonctionne pas.

- Assurez-vous qu'il y a du courant.
- Vérifiez l'alimentation électrique vers le four et assurez-vous que le disjoncteur est en marche.

Problème de température du four.

- Communiquez avec le service à la clientèle de Wolf au 800-222-7820 pour obtenir des recommandations.

L'éclairage ne fonctionne pas.

- L'ampoule est défectueuse; appelez un centre de service Wolf certifié par l'usine.

Le four fait des bruits pendant le fonctionnement.

- Le four peut émettre des sons de commutation et de pompage pendant son fonctionnement. Ces bruits sont normaux.

Les plaques de four sont difficiles à retirer.

- Certaines combinaisons de chaleur, d'humidité et de placement des aliments peuvent provoquer la déformation des plaques du four; elles reprendront leur forme d'origine une fois refroidies.

“Do not remove water tank” (Ne retirez pas le réservoir d'eau) apparaît sur l'écran.

- L'eau dans le chauffe-eau n'est pas pompée tant que la température de l'eau ne descend pas en dessous de 175 °F (80 °C).

“Boiler scaled up, please descale!” (Chauffe-eau entartré, veuillez détartrer!) apparaît sur l'écran.

- Détartrez le four. Reportez-vous à la page 14.

“Appliance blocked, descaling necessary” (Appareil bloqué, détartrage nécessaire) apparaît sur l'écran.

- Détartrez le four. Reportez-vous à la page 14. Si le message ne disparaît pas après le détartrage, communiquez avec un centre de service Wolf certifié par l'usine.

Service

- Préservez la qualité intégrée dans votre produit en communiquant avec un service Wolf certifié par l'usine. Pour obtenir le nom du centre de service Wolf certifié par l'usine le plus près, consultez la section Contact et assistance de notre site Web, wolfappliance.com ou appelez le service à la clientèle de Wolf au 800-222-7820.
- Avant d'appeler pour obtenir du service, ayez en main les numéros de modèle et de série de votre produit. Les deux numéros sont indiqués sur la plaque signalétique du produit. Reportez-vous à la page 5 pour connaître l'emplacement de la plaque signalétique.
- Pour les besoins de la garantie, vous devrez aussi avoir la date d'installation et le nom de votre dépositaire Wolf autorisé. Ces renseignements doivent être notés à la page 2 de ce guide.

Garantie limitée résidentielle Wolf Appliance

POUR UTILISATION RÉSIDENIELLE

GARANTIE COMPLÈTE DE DEUX ANS*

Pendant deux ans à compter de la date d'installation originale, cette garantie de produit Wolf Appliance couvre toutes les pièces et la main d'œuvre pour réparer ou remplacer, selon un usage résidentiel normal, toute partie du produit qui s'avèrerait défectueuse en vertu des matériaux ou de la fabrication. Tout service fourni par Wolf Appliance en vertu de la garantie ci-dessus doit être effectué par un centre de service Wolf certifié par l'usine, à moins d'indication contraire de la part de Wolf Appliance, Inc. Le service sera fourni pendant les heures normales d'affaires.

GARANTIE LIMITÉE DE CINQ ANS

Pendant cinq ans à compter de la date originale d'installation, Wolf Appliance réparera les pièces suivantes qui s'avèreront défectueuses en vertu des matériaux ou de la fabrication : les brûleurs au gaz (sauf l'apparence), les éléments de chauffage électrique, les moteurs de soufflerie (hottes de ventilation), les circuits de contrôle électronique, les tubes magnétrons et les génératrices à induction. Si le propriétaire utilise le service Wolf certifié par l'usine, le fournisseur de service réparera ou remplacera ces pièces et le propriétaire paiera pour tous les autres frais, y compris la main d'œuvre. Si le propriétaire utilise un service non certifié, il doit communiquer avec Wolf Appliance, Inc. (avec les renseignements ci-dessous) pour obtenir des pièces réparées ou de rechange. Wolf Appliance ne remboursera pas le propriétaire pour les pièces achetées d'un service non certifié ou d'autres sources.

CONDITIONS S'APPLIQUANT À CHAQUE GARANTIE

La garantie s'applique uniquement aux produits installés pour un usage résidentiel normal. La garantie s'applique seulement aux produits installés dans l'un des cinquante états des États-Unis, dans le District of Columbia ou les dix provinces du Canada. Cette garantie ne couvre pas les pièces ou la main d'œuvre pour corriger tout défaut causé par de la négligence, un accident ou une utilisation, un entretien, une installation, un service ou une réparation inappropriés.

LES REMÈDES DÉCRITS CI-DESSUS POUR CHAQUE GARANTIE SONT LES SEULS QUI SONT OFFERTS PAR WOLF APPLIANCE, INC. EN VERTU DE CETTE GARANTIE OU EN VERTU DE TOUTE GARANTIE DÉCOULANT DE L'OPÉRATION DE LA LOI. WOLF APPLIANCE, INC. NE SERA PAS RESPONSABLE DES DOMMAGES INDIRECTS OU CONSÉCUTIFS DÉCOULANT DE LA VIOLATION DE CETTE GARANTIE OU DE TOUTE GARANTIE, EXPRESSE, IMPLICITE OU LÉGALE.

Certaines provinces ne permettent pas l'exclusion ou la restriction des dommages indirects ou consécutifs, par conséquent, la limite ou l'exclusion ci-dessus peut ne pas s'appliquer à votre cas. Cette garantie vous confère des droits légaux précis et vous pouvez aussi avoir d'autres droits légaux qui peuvent varier d'une province à l'autre.

Pour obtenir des pièces et/ou du service et le nom du centre de service Wolf certifié par l'usine le plus près de chez vous, communiquez avec Wolf Appliance, Inc., P.O. Box 44848, Madison, WI 53744 É.-U.; consultez la section Contact et assistance de notre site Web, wolfappliance.com, envoyez-nous un courriel à customerservice@subzero.com ou composez le 800-222-7820.

*L'acier inoxydable (les portes, les panneaux, les poignées, les cadres et les surfaces intérieures) est couvert par une garantie limitée de 60 jours sur les pièces et la main d'œuvre pour toute défectuosité cosmétique.

*Les filtres de rechange pour les trousseaux de remise en circulation de hotte de ventilation ne sont pas couverts par la garantie du produit.





WOLF APPLIANCE, INC. P.O. BOX 44848 MADISON, WI 53744 WOLFAPPLIANCE.COM 800.222.7820

9015788 REV-B

2/2018

