

GAS COOKTOP

INSTALLATION GUIDE

SPECIFICATIONS, INSTALLATION, AND MORE



Contents

- 3 Gas Cooktop
- 4 Specifications
- 10 Installation
- 14 Troubleshooting

Features and specifications are subject to change at any time without notice. Visit wolfappliance.com/specs for the most up-to-date information.

Important Note

To ensure this product is installed and operated as safely and efficiently as possible, take note of the following types of highlighted information throughout this guide:

IMPORTANT NOTE highlights information that is especially important.

CAUTION indicates a situation where minor injury or product damage may occur if instructions are not followed.

WARNING states a hazard that may cause serious injury or death if precautions are not followed.

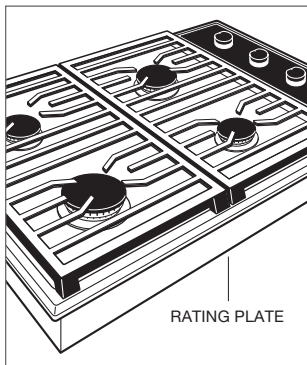
IMPORTANT NOTE: Throughout this guide, dimensions in parentheses are millimeters unless otherwise specified.

IMPORTANT NOTE: Save these instructions for the local electrical inspector.

Product Information

Important product information, including the model and serial number, are listed on the product rating plate. The rating plate is located on the bottom of the cooktop. Refer to the illustration below.

If service is necessary, contact Wolf Factory Certified Service with the model and serial number. For the name of the nearest Wolf Factory Certified Service or for questions regarding the installation, visit the Support & Service section of our website, wolfappliance.com, or call Wolf Customer Care at 800-222-7820.



Rating plate location

Installation Requirements

A minimum 2" (51) is required from the bottom of the cooktop to combustible materials. If the cooktop is installed above an oven, a minimum of 1/4" (6) is required between the units.

The Contemporary gas cooktop can be mounted flush with the top of the countertop or as a standard installation sitting on top of the countertop surface. If the cooktop is to be mounted flush with the countertop, a recessed area surrounding the cooktop cutout must be provided. The countertop must be able to withstand temperatures up to 300°F (149°C).

IMPORTANT NOTE: For flush installations, do not use the cooktop as a template to create the countertop opening. Use the countertop cutout template or specifications provided. Failure to do so may cause damage.

Electrical Requirements

Installation must comply with all applicable electrical codes.

Locate the electrical supply as shown in the illustrations on the following pages. A separate circuit servicing only this appliance is required. A ground fault circuit interrupter (GFCI) is not recommended and may cause interruption of operation.

ELECTRICAL REQUIREMENTS

Electrical Supply	grounded, 120 VAC, 60 Hz
Service	15 amp dedicated circuit
Receptacle	3-prong grounding-type
Power Cord	6' (1.8 m)

SPECIFICATIONS

Gas Supply

Installation must comply with local codes or, in the absence of local codes, with the National Fuel Gas Code.

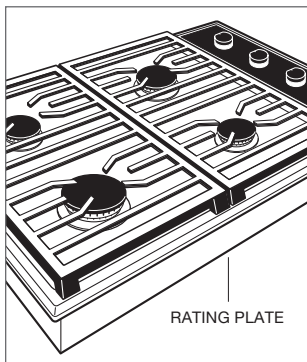
Locate the gas supply as shown in the illustrations on the following pages.

The cooktop is equipped for use with natural or liquid propane (LP) gas. It is design certified by the Canadian Standards Association (CSA) for natural or LP gases. The product rating plate has information on the type of gas that should be used. For rating plate location, refer to the illustration below. If this information does not agree with the type of gas available, check with the local gas supplier. The gas pressure regulator is built into the unit.

GAS REQUIREMENTS

NATURAL GAS		WC
Supply Pressure		5" (12.5 mb)
Min Line Pressure		7" (17.5 mb)
Max Regulator Pressure	14" (34.9 mb), .5 psi (3.5 kPa)	

LP GAS		WC
Supply Pressure		10" (25 mb)
Min Line Pressure		11" (27.4 mb)
Max Regulator Pressure	14" (34.9 mb), .5 psi (3.5 kPa)	



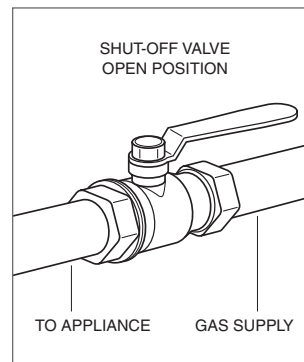
Rating plate location

The cooktop must be connected to a regulated gas supply. The supply line must be equipped with an approved external gas shut-off valve located near the cooktop in an accessible location. Do not block access to the shut-off valve. Refer to the illustration below.

A gas supply of $\frac{3}{4}$ " (19) ID line must be provided to the cooktop. If local codes permit, a certified, 3' (.9 m) long, $\frac{1}{2}$ " (13) or $\frac{3}{4}$ " (19) ID flexible metal appliance connector is recommended to connect the units $\frac{1}{2}$ " NPT male inlet to the gas supply line. Pipe joint compounds, suitable for use with natural or LP gas should be used.

The appliance and its shut-off valve must be disconnected from the gas supply piping system during any pressure testing of the system at test pressures in excess of .5 psi (3.5 kPa). The appliance must be isolated from the gas supply piping system by closing its individual manual shut-off valve during any pressure testing of the system at test pressures equal to or less than .5 psi (3.5 kPa).

Wolf natural gas cooktops will function up to 10,250' (3124 m) in altitude without adjustment and LP gas cooktops will function up to 8,600' (2621 m). If the installation exceeds these elevations, contact your authorized Wolf dealer for a high altitude conversion kit.

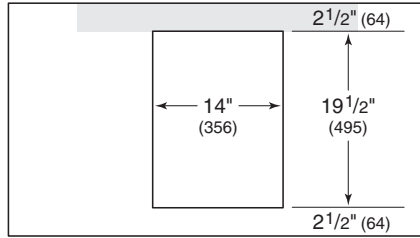


Gas shut-off valve

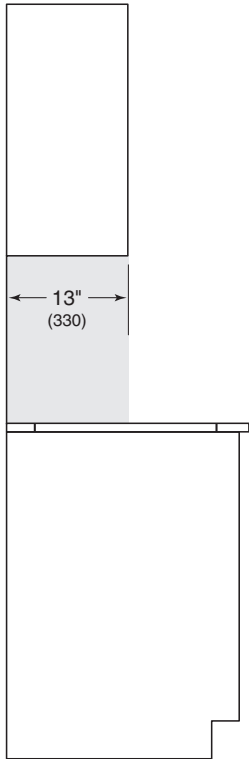
SPECIFICATIONS

15" Gas Cooktop

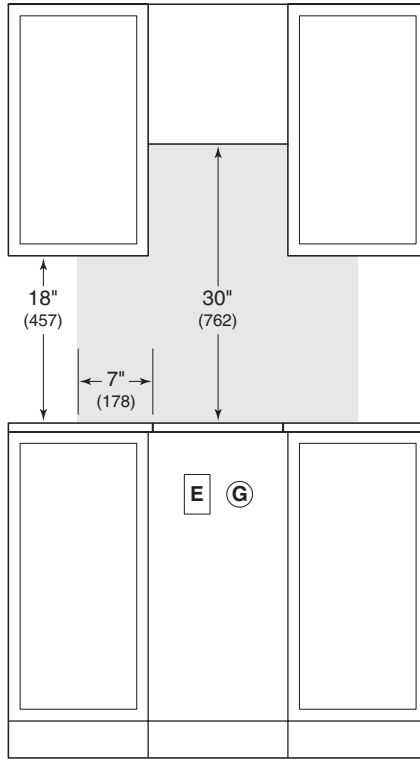
STANDARD INSTALLATION



COUNTERTOP CUTOUT



SIDE VIEW



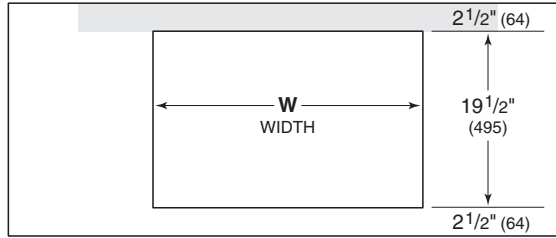
FRONT VIEW

NOTE: Shaded area above countertop indicates minimum clearance to combustible surfaces, combustible materials cannot be located within this area.

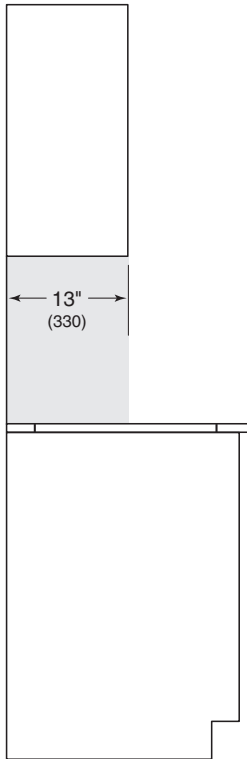
SPECIFICATIONS

24", 30", and 36" Gas Cooktops—Transitional and Professional

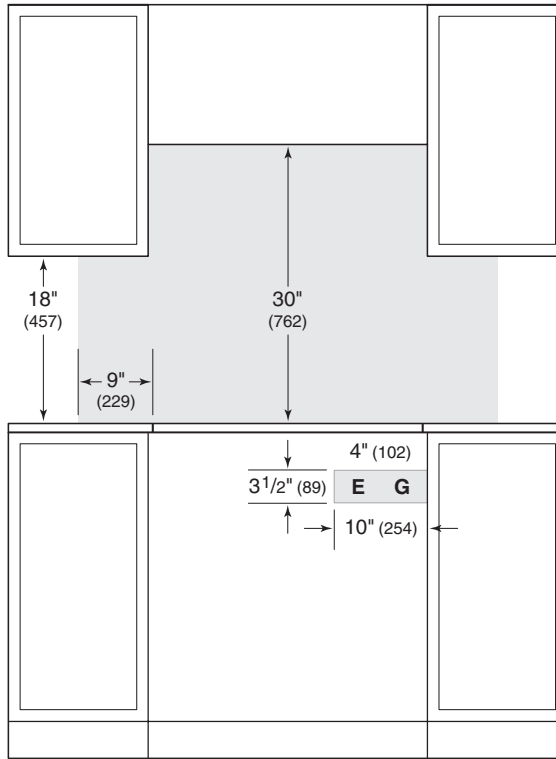
STANDARD INSTALLATION



COUNTERTOP CUTOUT



SIDE VIEW



FRONT VIEW

*NOTE: Shaded area above countertop indicates minimum clearance to combustible surfaces, combustible materials cannot be located within this area.
Electrical and gas supply location only applies to installations with built-in oven.*

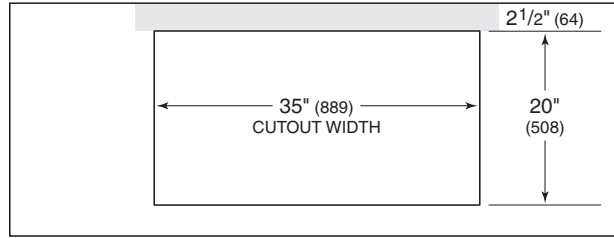
CUTOUT WIDTH	W
24" Cooktop*	23" (584)
30" Cooktop	29" (737)
36" Cooktop	35" (889)

*Transitional only.

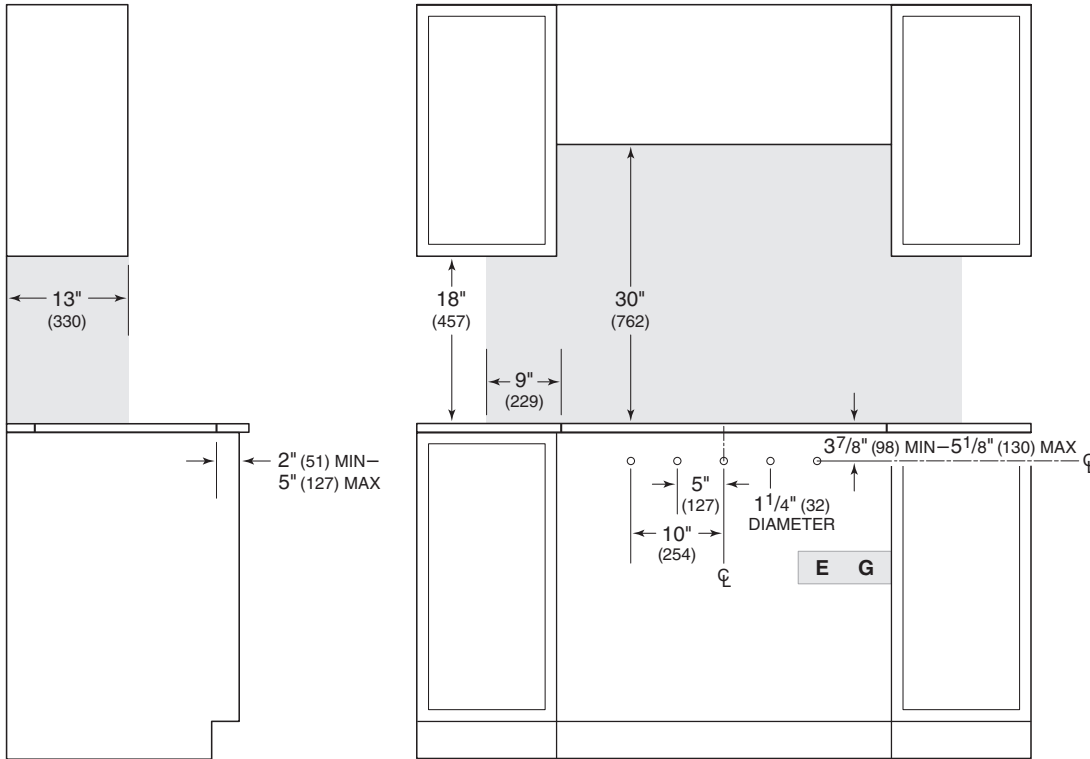
SPECIFICATIONS

36" Gas Cooktop—Contemporary

STANDARD INSTALLATION



COUNTERTOP CUTOUT



SIDE VIEW

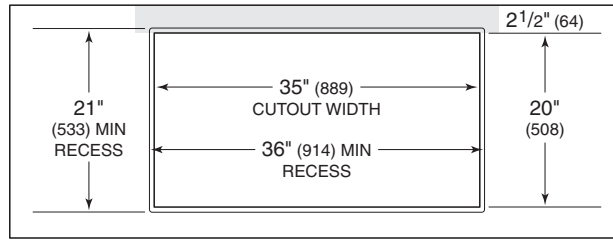
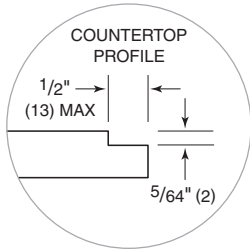
FRONT VIEW

*NOTE: Shaded area above countertop indicates minimum clearance to combustible surfaces, combustible materials cannot be located within this area.
Maximum facade thickness 1" (25). 1" (25) thickness extends 17" (432) left and right and 2" (51) above and below centerlines.*

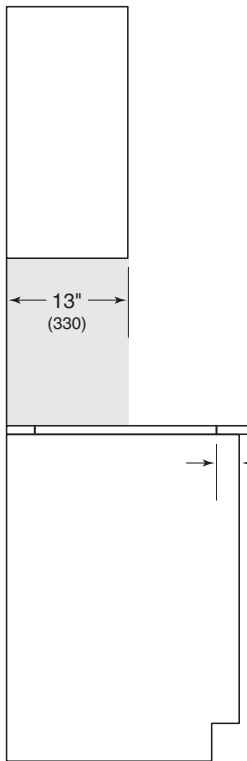
SPECIFICATIONS

36" Gas Cooktop—Contemporary

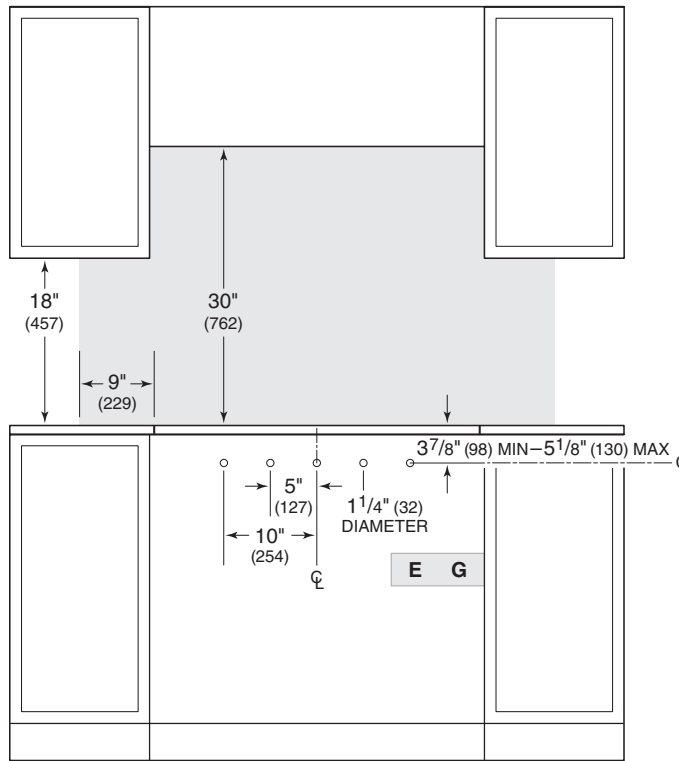
FLUSH INSTALLATION



COUNTERTOP CUTOUT



SIDE VIEW



FRONT VIEW

*NOTE: Shaded area above countertop indicates minimum clearance to combustible surfaces, combustible materials cannot be located within this area.
 Maximum facade thickness 1" (25). 1" (25) thickness extends 17" (432) left and right and 2" (51) above and below centerlines.
 Outside corner radius 3/8" (10).*

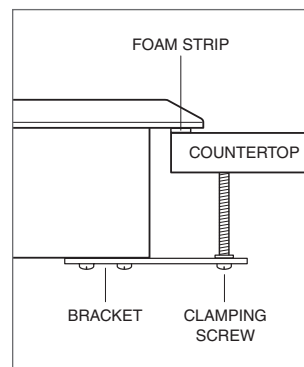
Cooktop Installation

Remove the cooktop and components from the shipping package and recycle packing materials.

Transitional and Professional Cooktop

STANDARD INSTALLATION

- 1 Lower the cooktop into the countertop cutout. Center the cooktop in the opening with the front edge aligned parallel to the front edge of the countertop. Using a pencil, outline the rear edge of the cooktop on the countertop. Remove the cooktop.
- 2 Apply the foam strip to the perimeter of the countertop opening. Refer to the illustration below. Do not seal the cooktop to the countertop.
- 3 Insert the cooktop into the opening, aligning the rear edge with the pencil line. Verify the cooktop is aligned with the front edge of the countertop.
- 4 Attach the provided brackets to the bottom of the unit. Insert the 3¹/₂" (89) clamping screws into the brackets. Use a screwdriver to tighten the clamping screws against the bottom of the countertop. Do not overtighten screws. Refer to the illustration below.



Transitional and Professional cooktop

INSTALLATION

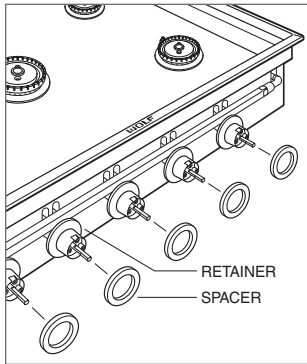
Contemporary Cooktop

STANDARD INSTALLATION

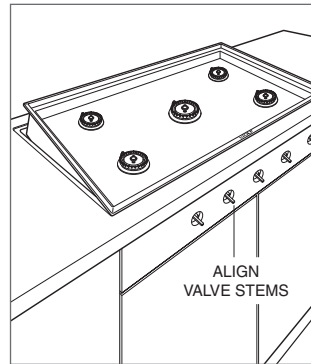
An optional template has been provided to aid in placement of the valve holes.

IMPORTANT NOTE: Prior to installing the cooktop, install the valve stem spacers on the valve stem retainers to achieve the appropriate depth. A 1" (25) thick facade does not require a spacer. For all facades less than 1" (25), subtract the thickness of the facade from 1" (25) to determine the required spacer thickness.

- 1 Once the proper spacing is determined, remove the paper backing from the spacers and apply to each valve stem. Refer to the illustration below.
- 2 Insert the front of the cooktop into the opening. Slightly angle the cooktop to align each valve stem with the holes in the façade. Then lower the back of the cooktop into position. Refer to the illustration below.

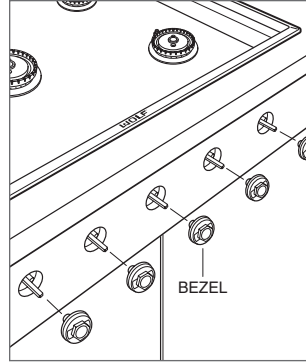


Apply spacers prior to installation



Insert Contemporary cooktop

- 3 Install the bezels to the valve assemblies by rotating clockwise until hand tight. Do not overtighten. Refer to the illustration below.



Install bezels

Contemporary Cooktop

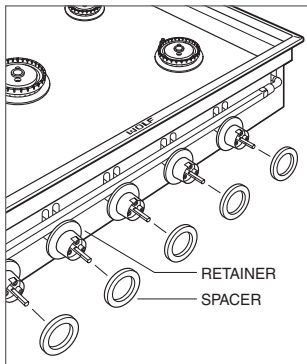
FLUSH INSTALLATION

The following are provided:

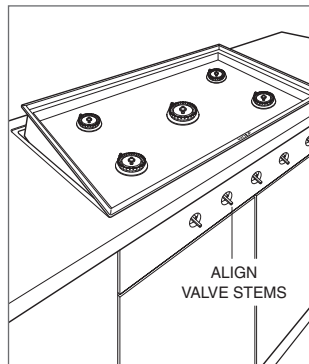
- A required installation kit.
- An optional template to aid in cooktop placement.
- An optional template to aid in valve hole placement.

IMPORTANT NOTE: Prior to installing the cooktop, install the valve stem spacers on the valve stem retainers to achieve the appropriate depth. A 1" (25) thick facade does not require a spacer. For all facades less than 1" (25), subtract the thickness of the facade from 1" (25) to determine the required spacer thickness.

- 1 Once the proper spacing is determined, remove the paper backing from the spacers and apply to each valve stem. Refer to the illustration below.
- 2 Clean all surfaces of dust and debris.
- 3 Insert the front of the cooktop into the opening. Slightly angle the cooktop to align each valve stem with the holes in the façade and lower the back of the cooktop into position. Refer to the illustration below.
- 4 Verify there is a gap of at least $\frac{1}{16}$ " (2) to the countertop around the perimeter of the cooktop. The gap allows for heat expansion. The countertop may be damaged if there is an insufficient gap.
- 5 Remove the cooktop.

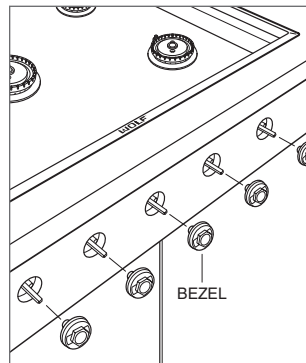


Apply spacers prior to installation



Insert Contemporary cooktop

- 6 Apply a thin film of petroleum jelly to the outermost underside edge of the cooktop pan. The petroleum jelly aids in future removal.
- 7 Insert the cooktop into the opening.
- 8 Ensure the cooktop is fully seated and centered in the opening.
- 9 Install the bezels to the valve assemblies by rotating clockwise until hand tight. Do not overtighten. Refer to the illustration below.
- 10 Apply the sealant between the cooktop and countertop.
- 11 Use the squeegee to smooth the seam and remove excess sealant.
- 12 Allow the sealant to set for 20 minutes.
- 13 Use denatured alcohol and paper towels to clean the seam.
- 14 Allow 24 hours for the sealant to cure.
- 15 Use a stainless steel cleaner/polish to remove sealant from the countertop and cooktop.



Install bezels

INSTALLATION

Gas Supply Connection

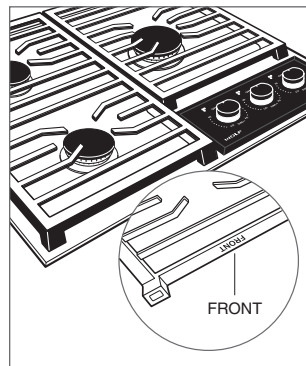
All connections to the gas piping must be wrench-tightened. Do not overtighten or allow pipes to turn when tightening.

If a flexible metal connector is used, verify it is not kinked, then attach the gas supply line to the regulator on the cooktop. Open the valve and check for leaks by placing a liquid detergent solution onto all gas connections. Bubbles around the connections indicate a gas leak. If a leak appears, close the shut-off valve and adjust the connections.

Burner Grates

24" COOKTOP

For the 24" cooktop, the grates must be positioned correctly to ensure proper burner performance. The grates have an indicator on the bottom of the front edge. Position the grates with the indicator toward the front of the cooktop. Refer to the illustration below.



Grate placement (24" cooktop)

Troubleshooting

IMPORTANT NOTE: If the cooktop does not operate properly, follow these troubleshooting steps:

- Verify electrical power is supplied to the cooktop.
- Verify the gas supply shut-off valve is in the open position.
- If the cooktop does not operate properly, contact Wolf Factory Certified Service. Do not attempt to repair the cooktop. Wolf is not responsible for service required to correct a faulty installation.

Sub-Zero, Sub-Zero & Design, Sub-Zero & Snowflake Design, Dual Refrigeration, The Living Kitchen, Great American Kitchens The Fine Art of Kitchen Design, Wolf, Wolf & Design, Wolf Gourmet, W & Design, red colored knobs, Cove, and Cove & Design are registered trademarks and service marks of Sub-Zero Group, Inc. and its subsidiaries. All other trademarks are property of their respective owners in the United States and other countries.

Contenido

- 3 Estufa de gas
- 4 Especificaciones
- 10 Instalación
- 14 Resolución de problemas

Las características y especificaciones están sujetas a cambios sin previo aviso. Visite wolfappliance.com/specs para obtener la información más actualizada.

Aviso importante

Para garantizar que este producto se instale y opere de la forma más segura y eficiente posible, tome nota de los siguientes tipos de información resaltada en esta guía:

AVISO IMPORTANTE señala la información que es especialmente importante.

PRECAUCIÓN indica una situación en la que se pueden sufrir heridas leves o provocar daños al producto si no se siguen las instrucciones.

ADVERTENCIA indica peligro de que se produzcan heridas graves o incluso la muerte si no se siguen las precauciones.

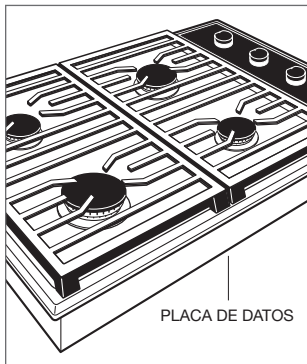
AVISO IMPORTANTE: en toda esta guía, las dimensiones entre paréntesis son milímetros, a menos que se especifique lo contrario.

AVISO IMPORTANTE: guarde estas instrucciones para el inspector eléctrico local.

Información del producto

La información importante del producto, incluido el modelo y número de serie de la unidad, se encuentra en la placa de datos del producto. La placa de datos se localiza en la parte baja de la estufa. Consulte la siguiente ilustración.

Si necesita servicio, póngase en contacto con el centro de servicio autorizado de Wolf y tenga a la mano el modelo y número de serie de la unidad. Para obtener los datos del centro de servicio autorizado de Wolf más cercano o si tiene preguntas acerca de la instalación, visite la sección de Soporte y Servicio de nuestro sitio web, wolfappliance.com o llame a la línea de atención al cliente de Wolf al 800-222-7820.



Ubicación de la placa de datos

Requisitos de instalación

Se requiere una distancia mínima de 2" (51) desde la parte baja de la estufa hasta los materiales combustibles. Si se va a instalar una estufa sobre un horno, se requiere un mínimo de 1/4" (6) entre las unidades.

El tope de cocina a gas contemporáneo puede montarse al ras de la parte alta del mostrador o de manera estándar asentada sobre la superficie del mostrador. Si el tope de cocina va a montarse empotrado, al ras del mostrador, debe contarse con un hueco en un área alrededor del tope de cocina. El mostrador debe soportar temperaturas hasta de 149 °C (300 °F).

AVISO IMPORTANTE: En las instalaciones al ras, no utilice el tope de cocina como plantilla para señalar los orificios del mostrador. Utilice la plantilla de recorte para el mostrador o las especificaciones suministradas. De no hacerlo puede ocasionar daños.

Instalación eléctrica

La instalación debe tener una conexión a tierra de conformidad con los códigos locales o, en ausencia de códigos locales, con el Código Nacional de Electricidad, ANSI/NFPA 70.

Coloque el suministro eléctrico tal y como se muestra en las ilustraciones de las páginas 6–9. Es necesario un circuito independiente, que dé servicio únicamente a este aparato. No es recomendable utilizar un circuito de fallos de conexión a tierra (GFCI, por sus siglas en inglés) ya que puede interrumpir el funcionamiento de la unidad.

REQUISITOS ELÉCTRICOS

Suministro eléctrico	Con conexión a tierra, 120 V CA, 60 Hz
Servicio	Circuito dedicado de 15 amperes
Receptáculo	Conexión a tierra de 3 clavijas
Cable de alimentación eléctrica	6' (1.8 m)

Suministro de gas

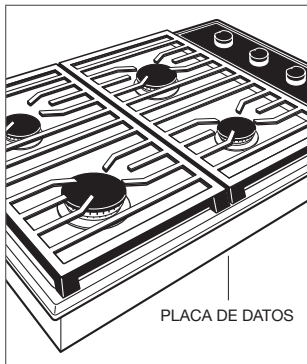
La instalación debe cumplir con los códigos locales o, en ausencia de códigos locales, con el Código Nacional de Gas Combustible.

Coloque el suministro de gas tal y como se muestra en las ilustraciones de las páginas 6–9.

La estufa está equipada para su uso con gas licuado (LP) o propano natural. Su diseño está certificado por la Asociación Canadiense de Normas (CSA, por sus siglas en inglés) para gas natural o LP. La placa de datos del producto contiene información sobre el tipo de gas que se debe utilizar. Para ubicar la placa de datos, consulte la siguiente ilustración. Si esta información no coincide con el tipo de gas disponible, consulte con el proveedor de gas local. El regulador de presión de gas se encuentra interconstruido dentro de la unidad.

REQUISITOS DEL SUMINISTRO DE GAS

GAS NATURAL		WC
Presión del suministro de gas		5" (12.5 mb)
Presión mínima de la línea		7" (17.5 mb)
Presión máxima hacia el regulador	14" (34.9 mb), .5 psi (3.5 kPa)	
GAS LP		WC
Presión del suministro de gas		10" (25 mb)
Presión mínima de la línea		11" (27.4 mb)
Presión máxima hacia el regulador	14" (34.9 mb), .5 psi (3.5 kPa)	



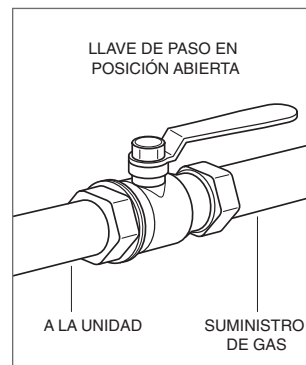
Ubicación de la placa de datos

La estufa debe conectarse a un suministro de gas regulado. La línea del suministro debe estar equipada con una llave de paso externa aprobada para gas ubicada cerca de la estufa en un lugar accesible. No bloquee el acceso a la llave de paso. Consulte la siguiente ilustración.

Se debe proporcionar una línea de suministro de gas de 3/4" (19) de línea de diámetro interno para la estufa. Si el código local lo permite, se recomienda utilizar un conector metálico flexible certificado, de 3' (.9 m) de largo, 1/2" (13) o 3/4" (19) de diámetro interior para conectar la entrada NPT macho de 1/2" de la unidad a la línea de suministro de gas. Debe utilizar compuestos para juntas de tubería aptos para uso con gas natural o gas LP.

Debe desconectar el electrodoméstico y la llave de paso del sistema de tuberías del suministro de gas durante cualquier prueba de presión del sistema a presiones de prueba mayores a 5 psi (3.5 kPa). Debe aislar el electrodoméstico del sistema de tuberías del suministro de gas cerrando manualmente la llave de paso durante cualquier prueba de presión del sistema a presiones de prueba iguales o inferiores a 0.5 psi (3.5 kPa).

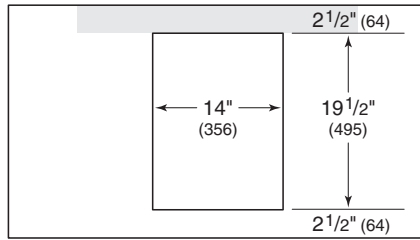
Las estufas de gas natural de Wolf funcionarán hasta 10,250' (3124 m) de altitud sin ajuste y las estufas de gas LP funcionarán hasta 8,600' (2621 m). Si la instalación supera estas elevaciones, póngase en contacto con su distribuidor autorizado de Wolf para conseguir un kit de conversión para regiones altas.



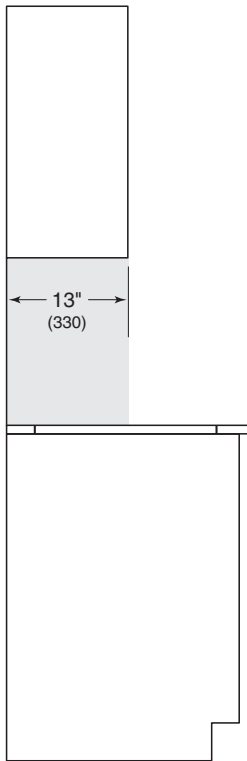
Llave de paso del suministro de gas

Estufa de gas de 15"

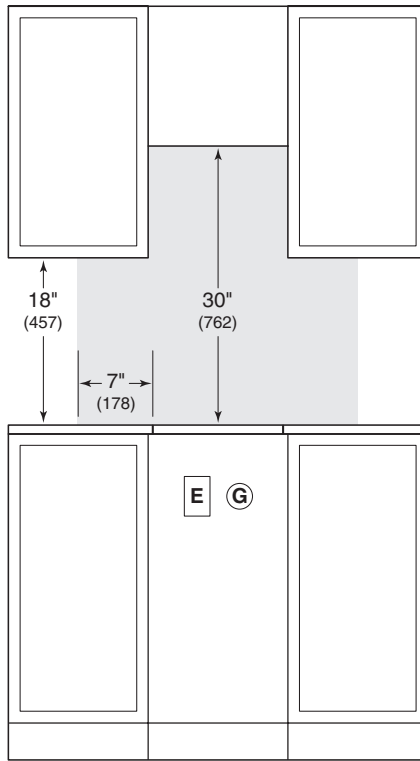
INSTALACIÓN ESTÁNDAR



RECORTE DEL MOSTRADOR



VISTA LATERAL



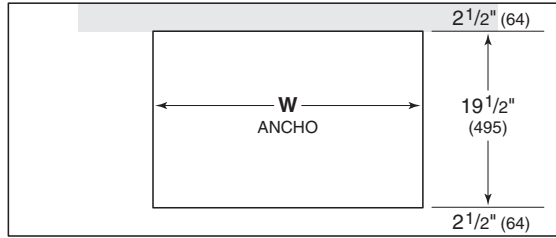
VISTA FRONTAL

NOTA: la zona sombreada sobre el mostrador indica la distancia mínima a las superficies combustibles, los materiales combustibles no se pueden colocar en esta área.

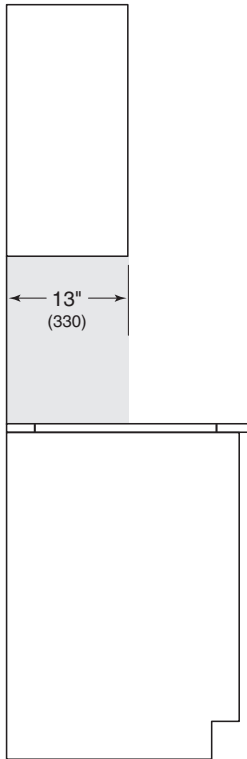
ESPECIFICACIONES

Estufa de gas de 24", 30" y 36" – transición y de profesional

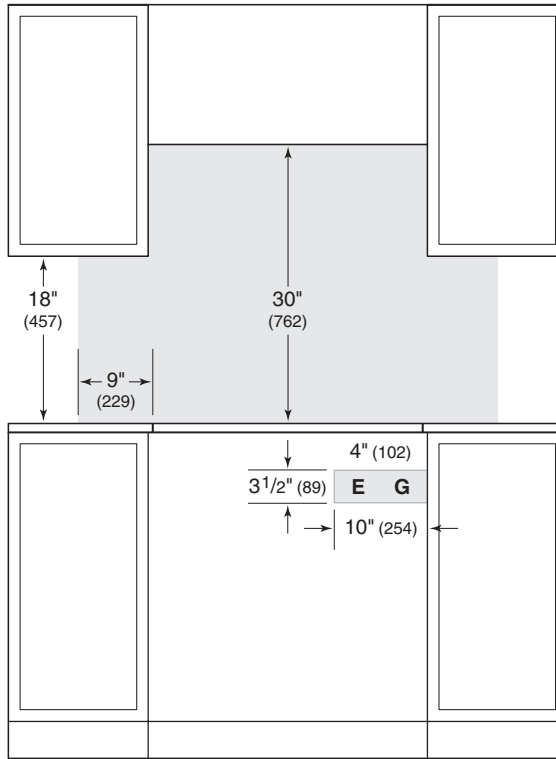
INSTALACIÓN ESTÁNDAR



RECORTE DEL MOSTRADOR



VISTA LATERAL



VISTA FRONTAL

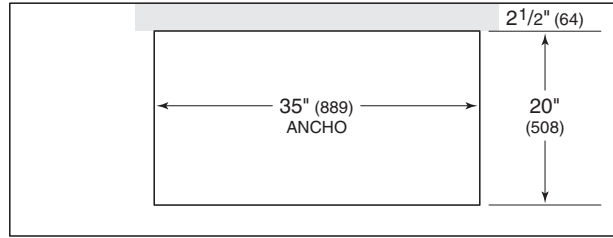
NOTA: la zona sombreada sobre el mostrador indica la distancia mínima a las superficies combustibles, los materiales combustibles no se pueden colocar en esta área.
La ubicación del suministro eléctrico y de gas solamente aplica para las instalaciones con horno empotrado.

ANCHURA DEL RECORTE	ANCHO (W)
Estufa de 24"*	23" (584)
Estufa de 30"	29" (737)
Estufa de 36"	35" (889)

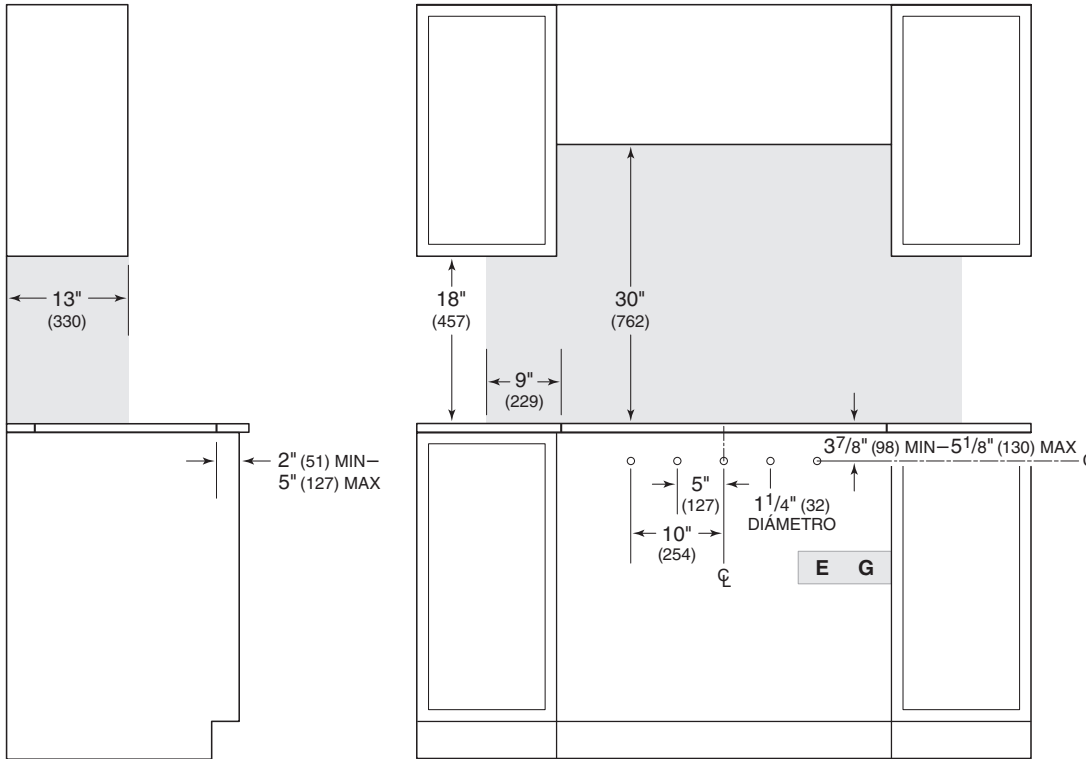
*Sólo transición.

Estufa de gas de 36" – contemporánea

INSTALACIÓN ESTÁNDAR



RECORTE DEL MOSTRADOR



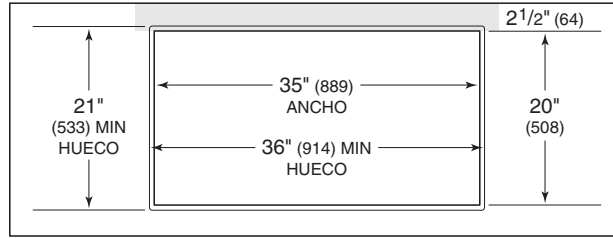
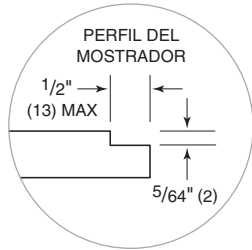
VISTA LATERAL

VISTA FRONTAL

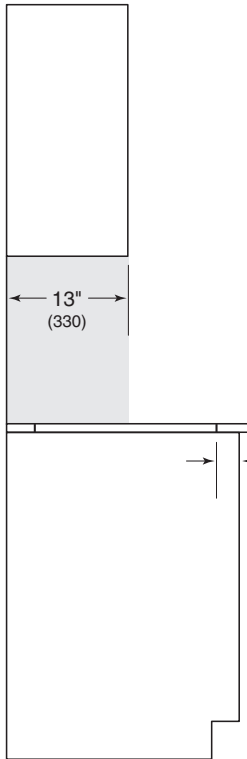
NOTA: La zona sombreada sobre el mostrador indica la distancia mínima a las superficies combustibles, los materiales combustibles no se pueden colocar en esta área.
El espesor máximo de fachada 1" (25). 1" (25) de espesor se extiende 17" (432) izquierda y derecha y 2" (51) por encima y por debajo de las líneas centrales.

Estufa de gas de 36" – contemporánea

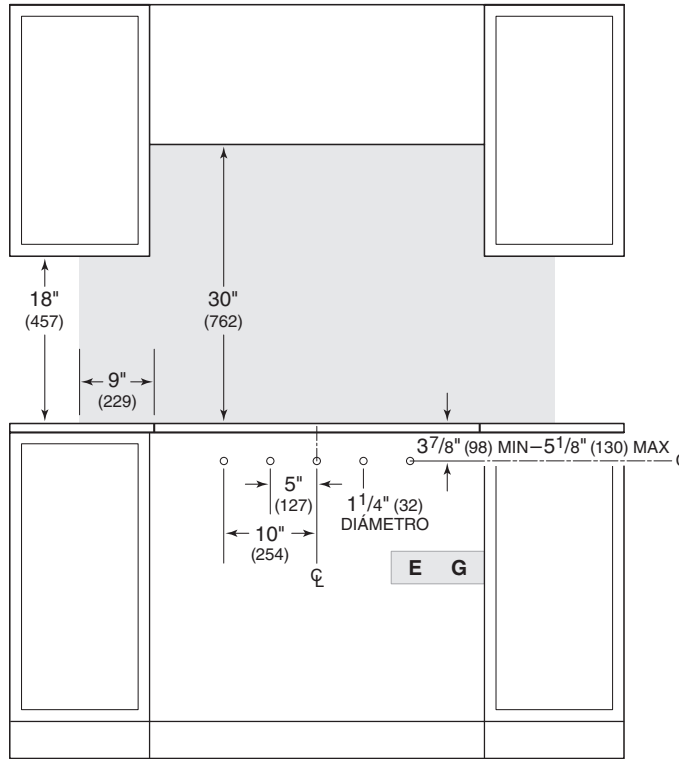
INSTALACIÓN EMPOTRABLE



RECORTE DEL MOSTRADOR



VISTA LATERAL



VISTA FRONTAL

NOTA: La zona sombreada sobre el mostrador indica la distancia mínima a las superficies combustibles, los materiales combustibles no se pueden colocar en esta área.

El espesor máximo de fachada 1" (25). 1" (25) de espesor se extiende 17" (432) izquierda y derecha y 2" (51) por encima y por debajo de las líneas centrales. Radio exterior de la esquina 3/8" (10).

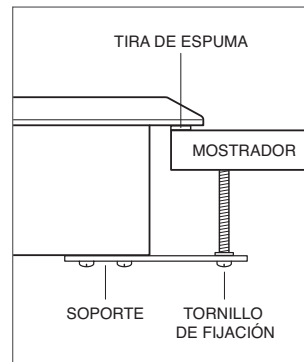
Instalación de la estufa

Retire la estufa y los componentes del empaque de envío y recicle los materiales de embalaje.

Estufa de transición y de profesional

INSTALACIÓN ESTÁNDAR

- 1 Deslice la estufa al interior del recorte en el mostrador. Centre la estufa en la abertura con el borde frontal alineado paralelamente al borde frontal del mostrador. Con ayuda de un lápiz, delinee el borde posterior de la estufa sobre el mostrador. Retire la estufa.
- 2 Aplique la tira de espuma proporcionada al perímetro de la abertura del mostrador. Consulte la siguiente ilustración. No selle la estufa al mostrador.
- 3 Inserte la estufa en la abertura. Compruebe que la estufa esté alineada con el borde frontal del mostrador.
- 4 Fije los soportes proporcionados a la parte inferior de la unidad. Inserte los tornillos de fijación de 3¹/₂" (89) en los soportes. Utilice un desarmador para apretar los tornillos de fijación contra el fondo del mostrador. No apriete demasiado los tornillos. Consulte la siguiente ilustración.



Instalación de la estufa

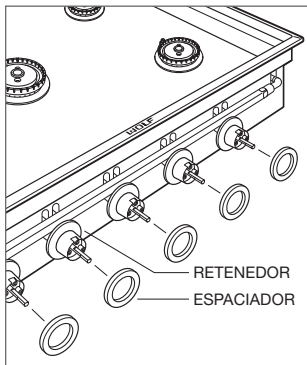
Tope de cocina contemporáneo

INSTALACIÓN ESTÁNDAR

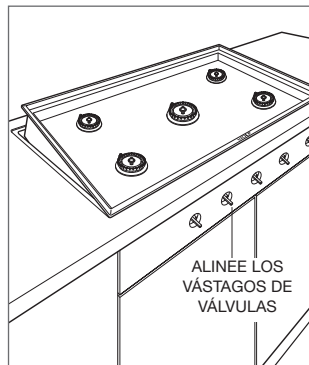
También se incluye una plantilla opcional para definir la ubicación del orificio para la válvula.

AVISO IMPORTANTE: Antes de instalar el tope de cocina, instale los espaciadores en los retenedores de los vástagos de las válvulas para alcanzar la profundidad adecuada. Una fachada de 1" (25) de grosor no necesita espaciador. Si la fachada mide menos 1" (25), reste 1" (25) al grosor de la fachada para determinar el grosor del espaciador que se necesita.

- 1 Una vez que determine el espaciamiento apropiado, retire el refuerzo de papel de los espaciadores y colóquelos en cada uno de los vástagos. Consulte la siguiente ilustración.
- 2 Inserte la parte frontal del tope de cocina en la abertura. Gire levemente el tope de cocina para alinear el vástago de cada válvula con los orificios de la fachada. Baje la parte posterior de tope de cocina hasta ubicarlo en su posición. Consulte la siguiente ilustración.

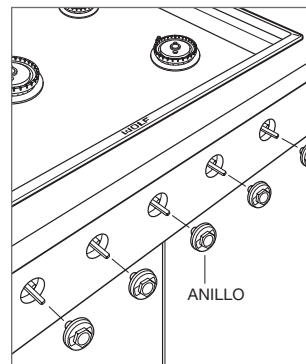


Coloque los espaciadores antes de la instalación



Instale la estufa contemporánea

- 3 Instale los anillos en el montaje de la válvula girándolos en el sentido de las manecillas del reloj y ajústelos con la mano. No apriete demasiado. Consulte la siguiente ilustración.



Instale los anillos

Tope de cocina contemporáneo

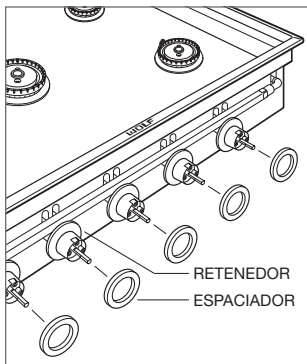
INSTALACIÓN EMPOTRABLE

Se incluye lo siguiente:

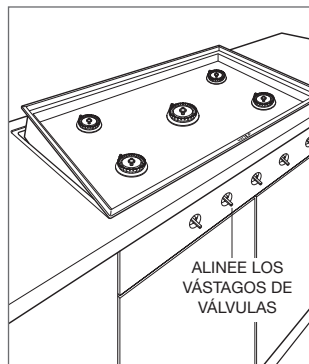
- Kit de instalación necesario.
- Plantilla opcional para ubicar el tope de cocina.
- Plantilla opcional para ubicar los orificios de las válvulas.

AVISO IMPORTANTE: Antes de instalar el tope de cocina, instale los espaciadores en los retenedores de los vástagos de las válvulas para alcanzar la profundidad adecuada. Una fachada de 1" (25) de grosor no necesita espaciador. Si la fachada mide menos 1" (25), reste 1" (25) al grosor de la fachada para determinar el grosor del espaciador que se necesita.

- 1 Una vez que determine el espaciamiento apropiado, retire el refuerzo de papel de los espaciadores y colóquelos en cada uno de los vástagos. Consulte la siguiente ilustración.
- 2 Limpie el polvo y los residuos de todas las superficies.
- 3 Inserte la parte frontal del tope de cocina en la abertura. Gire levemente el tope de cocina para alinear el vástago de cada válvula con los orificios de la fachada y baje la parte posterior del tope hasta ubicarlo en su posición. Consulte la siguiente ilustración.
- 4 Verifique que haya como mínimo un espacio de 1/16" (2) entre el mostrador y el perímetro del tope de cocina, para permitir la dilatación térmica. El mostrador se puede dañar si no hay espacio suficiente.
- 5 Retire el tope de cocina.

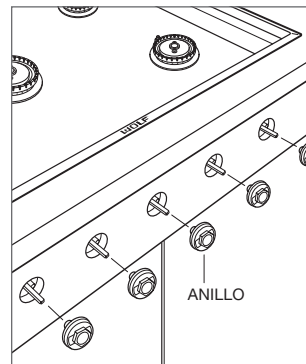


Coloque los espaciadores antes de la instalación



Instale la estufa contemporánea

- 6 Aplique una capa delgada de vaselina en el borde exterior debajo de la parrilla del tope de cocina para que sea más fácil retirarla después.
- 7 Inserte el tope de cocina en la abertura.
- 8 Verifique que el tope de cocina esté bien asentado y centrado en la abertura.
- 9 Instale los anillos en el montaje de la válvula girándolos en el sentido de las manecillas del reloj y ajústelos con la mano. No apriete demasiado. Consulte la siguiente ilustración.
- 10 Aplique sellante entre el tope de cocina y el mostrador.
- 11 Alise la juntura y retire el exceso de sellante con una escobilla de goma.
- 12 Deje secar el sellante por 20 minutos.
- 13 Limpie la juntura con alcohol desnaturalizado y toallas de papel.
- 14 Deje curar el sellante por 24 horas.
- 15 Retire el sellante del mostrador y el tope de cocina con un limpiador o limpiametales para acero inoxidable.



Instale los anillos

Conexión del suministro de gas

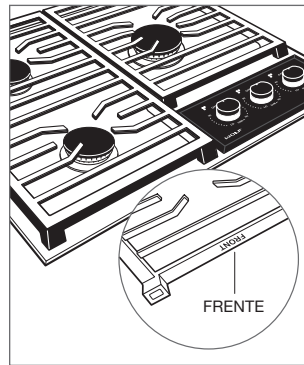
Todas las conexiones a la tubería de gas deben apretarse con llave. No apriete demasiado ni permita que las tuberías giren al apretarlas.

Si se utiliza un conector de metal flexible, compruebe que no esté doblado y, a continuación, conecte la línea de suministro de gas al regulador en la estufa. Abra la válvula y revise si hay fugas mediante la colocación de una solución de detergente líquido sobre todas las conexiones de gas. La presencia de burbujas alrededor de las conexiones es indicador de una fuga de gas. Si aparece una fuga, cierre la llave de paso y ajuste las conexiones.

Rejillas del quemador

MODELO DE 24"

Para los modelos de 24", las rejillas deben colocarse correctamente para garantizar que el quemador funcione de manera apropiada. Las rejillas tienen un indicador en la parte inferior del borde frontal. Coloque las rejillas con el indicador hacia el frente de la parrilla. Consulte la siguiente ilustración.



Ubicación de la rejilla (modelo de 24")

Resolución de problemas

AVISO IMPORTANTE: si la estufa no funciona correctamente, siga estos pasos para resolver los problemas:

- Compruebe que la estufa tenga corriente eléctrica.
- Compruebe que la llave de paso del suministro de gas se encuentra en posición abierta.
- Si la estufa no funciona correctamente, póngase en contacto con el centro de servicio autorizado de Wolf. No intente reparar la estufa. Wolf no es responsable del servicio necesario para corregir una instalación defectuosa.

Sub-Zero, Sub-Zero & Design, Sub-Zero & Snowflake Design, Dual Refrigeration, The Living Kitchen, Great American Kitchens The Fine Art of Kitchen Design, Wolf, Wolf & Design, Wolf Gourmet, W & Design, red colored knobs, Cove, and Cove & Design son marcas registradas y marcas de servicio de Sub-Zero Group, Inc. y sus asociados. Todas las demás marcas registradas son propiedad de sus dueños respectivos en los Estados Unidos y otros países.

Table des matières

- 3 Surface de cuisson au gaz
- 4 Spécifications
- 10 Installation
- 14 Dépannage

Les caractéristiques et les spécifications peuvent être modifiées en tout temps sans préavis. Visitez wolfappliance.com/specs pour obtenir les renseignements les plus récents.

Remarque importante

Pour s'assurer que ce produit est installé et utilisé en toute sécurité et aussi efficacement que possible, prenez note des types de renseignements mis en évidence tout au long de ce guide :

REMARQUE IMPORTANTE met en évidence des renseignements qui sont particulièrement importants.

MISE EN GARDE indique une situation où une blessure mineure ou des dommages au produit peuvent se produire si les directives ne sont pas respectées.

AVERTISSEMENT décrit un danger qui peut causer une blessure grave ou la mort si les précautions ne sont pas respectées.

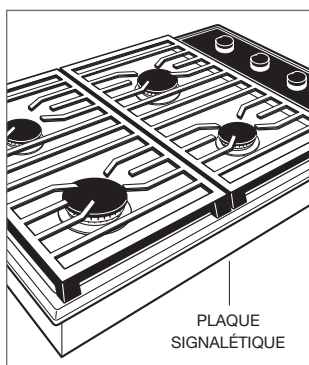
REMARQUE IMPORTANTE : tout au long de ce guide, les dimensions entre parenthèses sont en millimètres à moins d'indication contraire.

REMARQUE IMPORTANTE : conservez ces directives pour l'inspecteur en électricité local.

Renseignements sur le produit

Des renseignements importants sur le produit, y compris les numéros de modèle et de série, se trouvent sur la plaque signalétique du produit. La plaque signalétique est située sur la partie inférieure de la surface de cuisson. Reportez-vous à l'illustration ci-dessous.

Si vous avez besoin de service, communiquez avec le service Wolf certifié par l'usine avec les numéros de modèle et de série. Pour obtenir le nom du centre de service Wolf certifié par l'usine le près de chez vous ou si vous avez des questions concernant l'installation, visitez la section Support et service de notre site Web, wolfappliance.com ou appelez le service à la clientèle de Wolf au 800-222-7820.



Emplacement de la plaque signalétique

Exigences d'installation

Une distance minimale de 2 po (51) est requise depuis le bas de la surface de cuisson jusqu'aux matériaux combustibles. Si une surface de cuisson est installée au-dessus d'un four, un espace minimal de 1/4 po (6) est requis entre les unités.

La surface de cuisson au gaz de style contemporain peut être affleurée avec le dessus du comptoir ou installée de façon standard sur la surface du comptoir. Si la surface de cuisson doit être affleurée avec le comptoir, il doit y avoir une zone encastrée autour de la découpe de la surface de cuisson. Le comptoir doit pouvoir résister à des températures pouvant atteindre 149 °C (300 °F).

REMARQUE IMPORTANTE : pour les installations affleurées, n'utilisez pas la surface de cuisson comme gabarit pour créer l'ouverture dans le comptoir. Utilisez le gabarit de découpe du comptoir ou les spécifications fournies. Le non-respect de cette directive peut causer des dommages.

Électricité

L'installation doit être mise à la terre électriquement conformément aux codes locaux ou, en l'absence de codes locaux, au code national de l'électricité, ANSI/NFPA 70.

Repérez l'alimentation électrique, comme il est montré dans les illustrations aux pages 6–9. Un circuit séparé servant uniquement cet appareil est requis. Un disjoncteur de fuite de terre (GFCI) n'est pas recommandé et peut interrompre le fonctionnement.

EXIGENCES ÉLECTRIQUES

Alimentation électrique	mise à la terre, 120 volts CA, 60 Hz
Service	circuit dédié de 15 ampères
Prise	mise à la terre à trois broches
Cordon d'alimentation	6 pi (1,8 m)

Alimentation en gaz

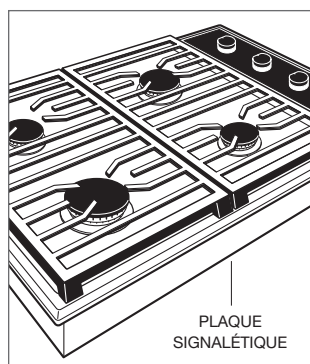
L'installation doit se conformer aux codes locaux ou, en l'absence de codes locaux, au code national relatif au gaz combustible.

Repérez l'alimentation en gaz, comme il est montré dans les illustrations aux pages 6–9.

La surface de cuisson est configurée pour être utilisée avec du gaz naturel ou de pétrole liquéfié (PL). Sa conception est certifiée par l'Association canadienne de normalisation (ACNOR) pour le gaz naturel et le gaz de pétrole liquéfié. La plaque signalétique du produit possède des renseignements sur le type de gaz qui doit être utilisé. Pour connaître l'emplacement de la plaque signalétique, reportez-vous à l'illustration ci-dessous. Si le gaz disponible ne correspond pas à cette information, veuillez consulter le fournisseur de gaz local. Le régulateur de pression est intégré dans l'unité.

EXIGENCES D'ALIMENTATION EN GAZ

GAZ NATUREL		CE
Pression d'alimentation en gaz	5 po (12,5 mb) colonne d'eau	
Pression min de la conduite	7 po (17,5 mb)	
Pression max jusqu'au régulateur	14 po (34,9 mb), 0,5 lb/po ² (3,5 kPa)	
GAZ PL		CE
Pression d'alimentation en gaz	10 po (25 mb)	
Pression min de la conduite	11 po (27,4 mb)	
Pression max jusqu'au régulateur	14 po (34,9 mb), 0,5 lb/po ² (3,5 kPa)	



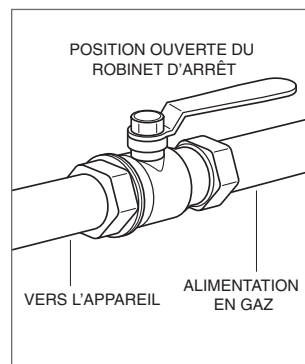
Emplacement de la plaque signalétique

La surface de cuisson doit être reliée à une alimentation en gaz régulée. La conduite d'alimentation doit être munie d'un robinet d'arrêt du gaz externe approuvé situé près de la surface de cuisson à un endroit accessible. Ne bloquez pas l'accès au robinet d'arrêt. Reportez-vous à l'illustration ci-dessous.

Une alimentation en gaz de 3/4 po (19) de diamètre intérieur doit être fournie à la cuisinière. Si les codes locaux le permettent, un connecteur d'appareil en métal flexible certifié de 3 pi (0,9 m) de longueur, 1/2 po (13) ou 3/4 po (19) de diamètre intérieur est recommandé pour relier l'entrée mâle de 1/2 po NPT de l'unité à la conduite d'alimentation en gaz. Utilisez de la pâte pour joints pouvant être utilisée avec du gaz naturel ou de pétrole liquéfié.

Cet appareil et son robinet d'arrêt doivent être débranchés du système de conduite d'alimentation en gaz durant tout essai de pression de ce système à des pressions d'essai supérieures à 0,5 lb/po² (3,5 kPa). Cet appareil doit être isolé du système de conduite d'alimentation en gaz en fermant son robinet d'arrêt manuel individuel durant tout essai de pression du système à des pressions d'essai équivalentes ou inférieures à 0,5 lb/po² (3,5 kPa).

Les cuisinières au gaz naturel de Wolf fonctionneront jusqu'à une altitude de 10 250 pi (3 124 m) sans ajustement et les cuisinières au gaz PL fonctionneront jusqu'à 8 600 pi (2 621 m) d'altitude. Si l'installation dépasse ces altitudes, communiquez avec votre dépositaire Wolf pour obtenir une trousse de conversion pour altitude plus élevée.

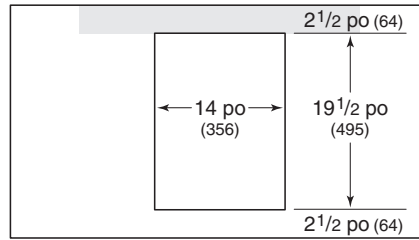


Robinet d'arrêt du gaz

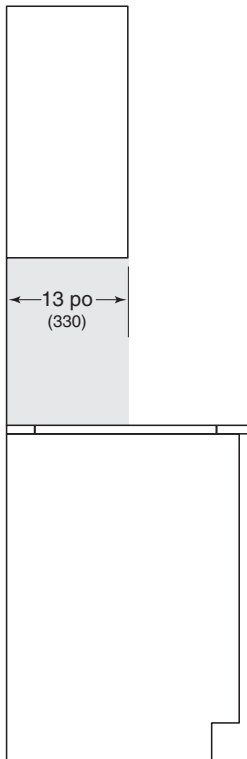
SPÉCIFICATIONS

Surface de cuisson au gaz de 15 po

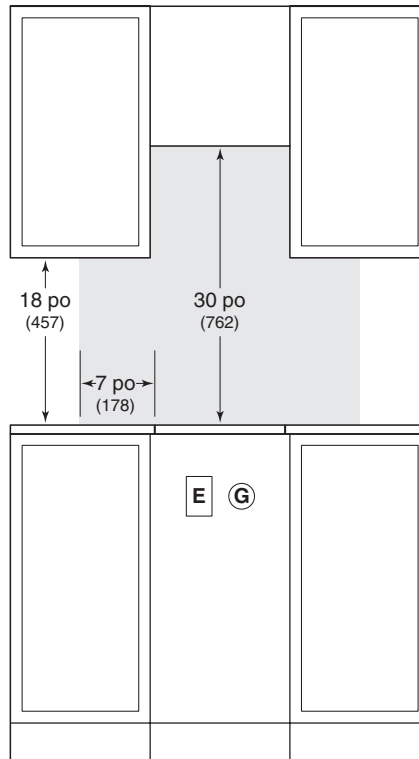
INSTALLATION STANDARD



DÉCOUPE DE DESSUS DE COMPTOIR



VUE DE PROFIL



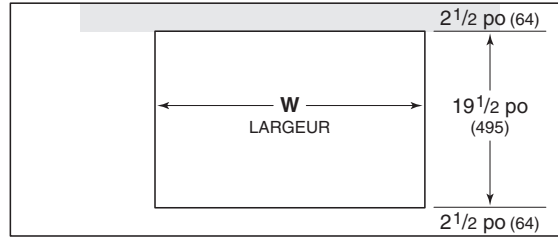
VUE DE FACE

REMARQUE : la zone ombragée au-dessus du comptoir indique le dégagement minimal jusqu'aux surfaces combustibles; des matériaux combustibles ne peuvent pas se trouver dans cette zone.

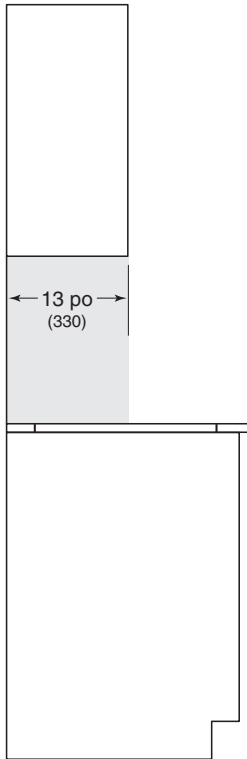
SPÉCIFICATIONS

Surface de cuisson au gaz de 24 po, 30 po et 36 po—style transitionnel et professionnel

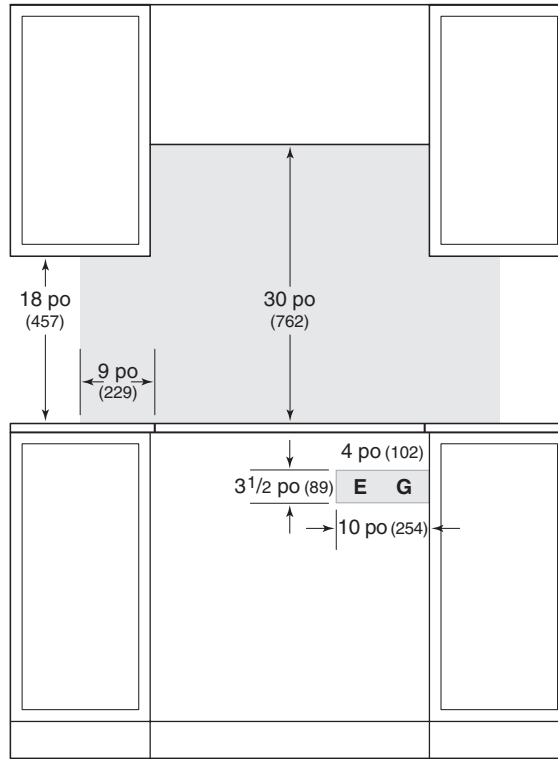
INSTALLATION STANDARD



DÉCOUPE DU COMPTOIR



VUE DE PROFIL



VUE DE FACE

*REMARQUE : la zone ombragée au-dessus du comptoir indique le dégagement minimal jusqu'aux surfaces combustibles; des matériaux combustibles ne peuvent pas se trouver dans cette zone.
L'emplacement de l'alimentation électrique et en gaz ne s'applique qu'aux installations avec un four encastré.*

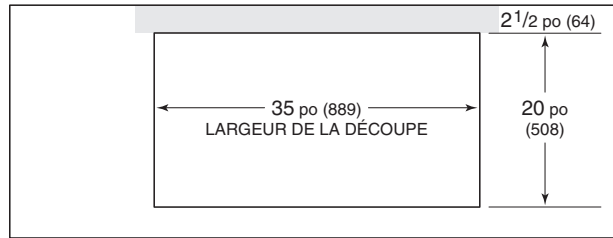
LARGEUR DE LA DÉCOUPE	LARGEUR (W)
Surface de cuisson de 24 po	23 po (584)
Surface de cuisson de 30 po	29 po (737)
Surface de cuisson de 36 po	35 po (889)

*Transitionnel seulement.

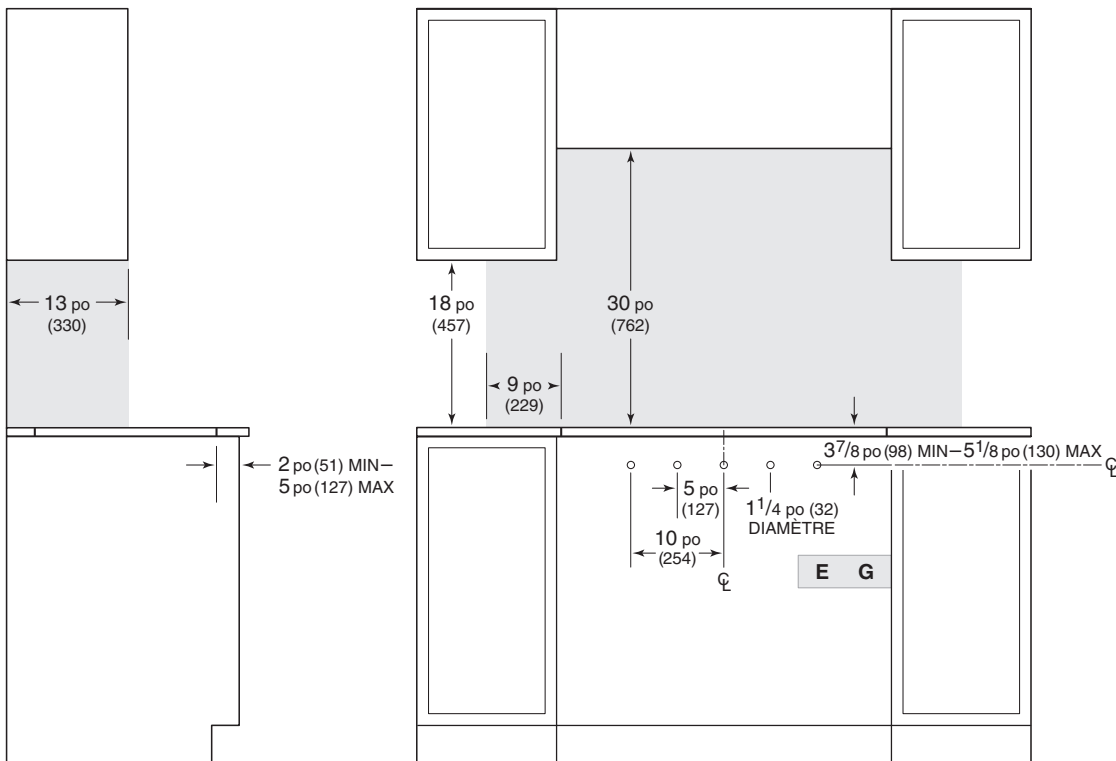
SPÉCIFICATIONS

Surface de cuisson au gaz de 36 po—style contemporain

INSTALLATION STANDARD



DÉCOUPE DU COMPTOIR



VUE DE PROFIL

VUE DE FACE

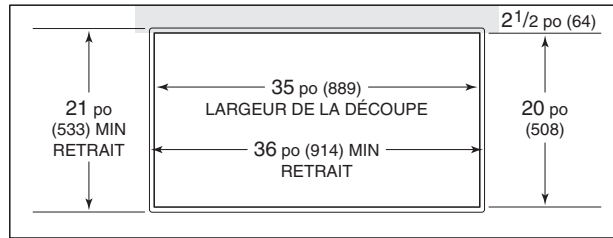
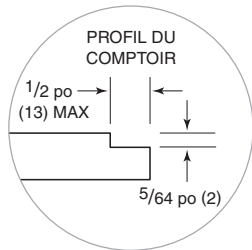
REMARQUE : la zone ombragée au-dessus du comptoir indique le dégagement minimal jusqu'aux surfaces combustibles; des matériaux combustibles ne peuvent pas se trouver dans cette zone.

L'épaisseur maximale de façade 1 po (25). L'épaisseur de 1 po (25) étend 17 po (432) à gauche et à droite et 2 po (51) au-dessus et au-dessous des lignes centrales.

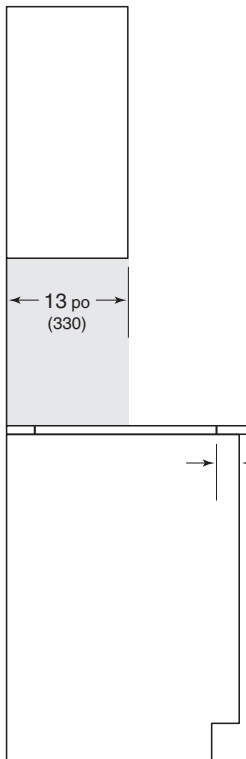
SPÉCIFICATIONS

Surface de cuisson au gaz de 36 po—style contemporain

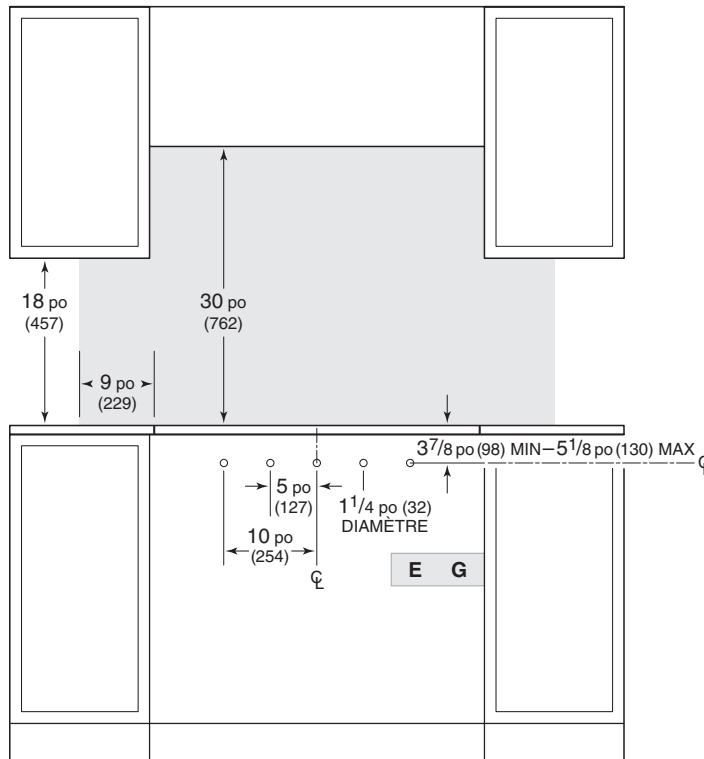
INSTALLATION À AFFLEUREMENT



DÉCOUPE DU COMPTOIR



VUE DE PROFIL



VUE DE FACE

REMARQUE : la zone ombragée au-dessus du comptoir indique le dégagement minimal jusqu'aux surfaces combustibles; des matériaux combustibles ne peuvent pas se trouver dans cette zone.

L'épaisseur maximale de façade 1 po (25). L'épaisseur de 1 po (25) étend 17 po (432) à gauche et à droite et 2 po (51) au-dessus et au-dessous des lignes centrales. Rayon du coin extérieur de 3/8 po (10).

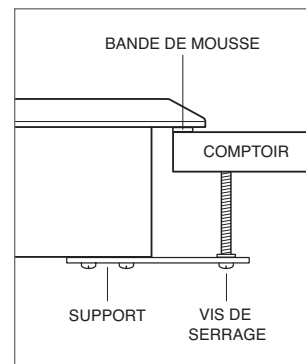
Installation de la surface de cuisson

Retirez la surface de cuisson et les composants de l'emballage d'expédition et recyclez les matériaux d'emballage.

Style transitionnel et professionnel

INSTALLATION STANDARD

- 1 Abaissez la surface de cuisson dans la découpe du comptoir. Centrez la surface de cuisson dans l'ouverture en gardant le rebord avant aligné de façon parallèle avec le rebord avant du comptoir. Avec un crayon, tracez le rebord arrière de la surface de cuisson sur le comptoir. Retirez la surface de cuisson.
- 2 Appliquez la bande en mousse fournie sur le périmètre de l'ouverture du comptoir. Reportez-vous à l'illustration ci-dessous. Ne scellez pas la surface de cuisson au comptoir.
- 3 Insérez la surface de cuisson dans l'ouverture. Vérifiez que la surface de cuisson soit alignée avec le rebord avant du comptoir.
- 4 Fixez les supports fournis sur la partie inférieure de l'unité. Insérez les vis de serrage de 3¹/₂ po (89) dans les supports. Utilisez un tournevis pour serrer les vis de serrage contre la partie inférieure du comptoir. Ne serrez pas trop les vis. Reportez-vous à l'illustration ci-dessous.



Installation de la surface de cuisson

Surface de cuisson de style contemporain

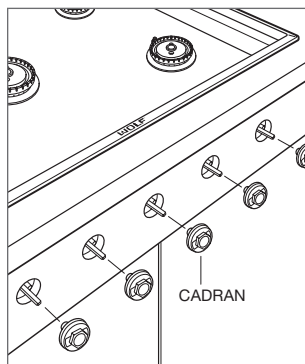
INSTALLATION STANDARD

Un gabarit en option est fourni pour faciliter le placement du trou de la soupape.

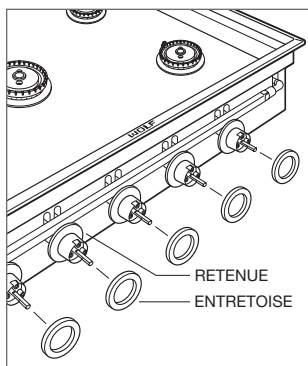
REMARQUE IMPORTANTE : Avant d'installer la surface de cuisson, installez des entretoises de tige de soupape sur les dispositifs de retenue des tiges de soupape pour obtenir la profondeur appropriée. Une façade de 1 po (25) d'épaisseur ne nécessite pas d'entretoise. Pour toutes les façades mesurant moins de 1 po (25), soustrayez l'épaisseur de la façade de 1 po (25) pour déterminer l'épaisseur d'entretoise requise.

- 1 Une fois l'espace requis déterminé, retirez l'endos en papier des entretoises et appliquez-les sur chaque tige de soupape. Reportez-vous à l'illustration ci-dessous.
- 2 Insérez l'avant de la surface de cuisson dans l'ouverture. Inclinez légèrement la surface de cuisson pour aligner chaque tige de soupape avec les trous se trouvant sur la façade. Ensuite, abaissez la partie arrière de la surface de cuisson en position. Reportez-vous à l'illustration ci-dessous.

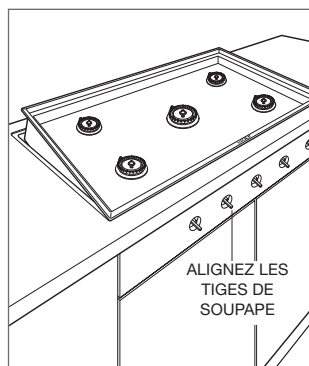
- 3 Installez des cadrans sur l'ensemble de soupape en pivotant dans le sens horaire jusqu'à ce qu'ils soient bien serrés manuellement. Ne serrez pas trop. Reportez-vous à l'illustration ci-dessous.



Installez les cadrans



Appliquez les entretoises avant l'installation



Installez la surface de cuisson de style contemporain

Surface de cuisson de style contemporain

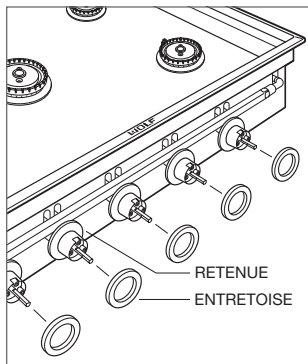
INSTALLATION À AFFLEUREMENT

Les articles suivants sont fournis :

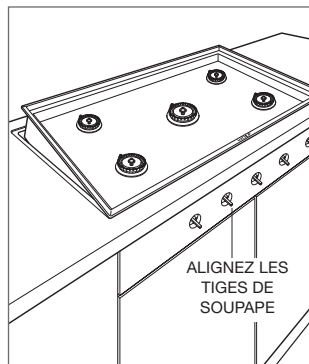
- Une trousse d'installation requise.
- Un gabarit en option pour faciliter le placement de la surface de cuisson.
- Un gabarit en option pour faciliter le placement du trou de soupape.

REMARQUE IMPORTANTE : Avant d'installer la surface de cuisson, installez des entretoises de tige de soupape sur les dispositifs de retenue des tiges de soupape pour obtenir la profondeur appropriée. Une façade de 1 po (25) d'épaisseur ne nécessite pas d'entretoise. Pour toutes les façades mesurant moins de 1 po (25), soustrayez l'épaisseur de la façade de 1 po (25) pour déterminer l'épaisseur d'entretoise requise.

- 1 Une fois l'espace requis déterminé, retirez l'endos en papier des entretoises et appliquez-les sur chaque tige de soupape. Reportez-vous à l'illustration ci-dessous.
- 2 Éliminez la poussière et les débris de toutes les surfaces.
- 3 Insérez l'avant de la surface de cuisson dans l'ouverture. Inclinez légèrement la surface de cuisson pour aligner chaque tige de soupape avec les trous dans la façade et abaissez l'arrière de la surface de cuisson en place.
- 4 Vérifiez qu'il y ait un écart d'au moins $1/16$ po (2) jusqu'au comptoir autour du périmètre de la surface de cuisson. L'écart permet l'expansion causée par la chaleur. Le comptoir pourrait être endommagé si l'écart est insuffisant.

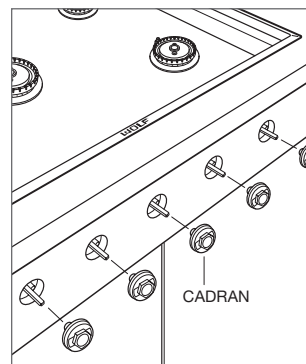


Appliquez les entretoises avant l'installation



Installez la surface de cuisson de style contemporain

- 5 Retirez la surface de cuisson.
- 6 Appliquez une mince pellicule de vaseline sur le rebord inférieur extérieur de la cuvette de la surface de cuisson. La vaseline facilitera le retrait futur.
- 7 Insérez la surface de cuisson dans l'ouverture.
- 8 Assurez-vous que la surface de cuisson est entièrement appuyée et centrée dans l'ouverture.
- 9 Installez des quadrants sur l'ensemble de soupape en pivotant dans le sens horaire jusqu'à ce qu'ils soient bien serrés manuellement. Ne serrez pas trop. Reportez-vous à l'illustration ci-dessous.
- 10 Appliquez un agent d'étanchéité entre la surface de cuisson et le comptoir.
- 11 Utilisez la raclette pour lisser le joint et éliminer l'excédent d'agent d'étanchéité.
- 12 Laissez l'agent d'étanchéité reposer pendant 20 minutes.
- 13 Utilisez de l'alcool dénaturé et des serviettes en papier pour nettoyer le joint.
- 14 Laissez l'agent d'étanchéité sécher pendant 24 heures.
- 15 Utilisez un nettoyant/polir pour acier inoxydable pour éliminer l'agent d'étanchéité du comptoir et de la surface de cuisson.



Installez les cadrans

Connexion de l'alimentation en gaz

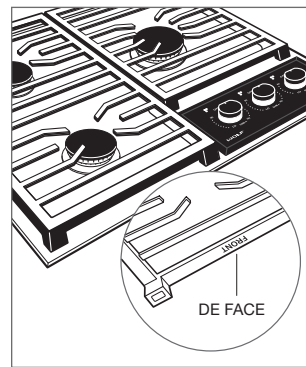
Toutes les connexions vers le tuyau de gaz doivent être serrées au moyen d'une clé. Ne serrez pas trop et ne laissez pas les tuyaux tourner lors du serrage.

Si un connecteur en métal flexible est utilisé, assurez-vous qu'il n'est pas tordu lorsque la conduite d'alimentation en gaz est reliée au régulateur sur la surface de cuisson. Ouvrez le robinet et vérifiez qu'il n'y ait pas de fuites en plaçant une solution de détergent liquide sur toutes les connexions de gaz. Si des bulles apparaissent autour d'une connexion, cela indique la présence d'une fuite de gaz. En cas de fuite, fermez le robinet d'arrêt et ajustez les connexions.

Grilles de brûleur

MODÈLE DE 24 PO

Pour les modèles de 24 po, les grilles doivent être placées correctement pour assurer la bonne performance du brûleur. Les grilles sont munies d'un indicateur sous le rebord avant. Placez les grilles en orientant l'indicateur vers l'avant de la surface de cuisson. Reportez-vous à l'illustration ci-dessous.



Emplacement de la grille
(modèle 24 po)

Dépannage

REMARQUE IMPORTANTE : si la surface de cuisson ne fonctionne pas, suivez les étapes de dépannage suivantes :

- Vérifiez l'alimentation électrique de la surface de cuisson.
- Assurez-vous que le robinet d'arrêt d'alimentation en gaz se trouve en position ouverte.
- Si la surface de cuisson ne fonctionne pas correctement, communiquez avec le centre de service Wolf certifié par l'usine. Ne tentez pas de réparer la cuisinière. Wolf n'est pas responsable du service requis pour corriger une installation défectueuse.

Sub-Zero, Sub-Zero & Design, Sub-Zero & Snowflake Design, Dual Refrigeration, The Living Kitchen, Great American Kitchens The Fine Art of Kitchen Design, Wolf, Wolf & Design, Wolf Gourmet, W & Design, les boutons de couleur rouge, Cove et Cove & Design sont des marques déposées et de service de Sub-Zero Group, Inc. et ses filiales. Toutes les autres marques de commerce appartiennent à leurs propriétaires respectifs aux États-Unis et dans d'autres pays.



WOLF APPLIANCE, INC. P.O. BOX 44848 MADISON, WI 53744 WOLFAPPLIANCE.COM 800.222.7820

9017006 REV-D

11/2019

