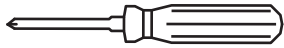


# Cabinet Hardware Installation Instructions

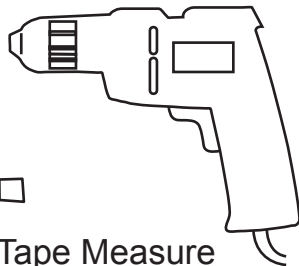
If you have any questions about how to install your hardware, please call us directly at (800) 464-7491 or (310) 374-5700 (for outside of USA) or contact us at support@wisdom-stone.com.

## Recommended Tools (not included)

#2 Phillips screwdriver



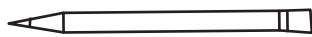
Power drill



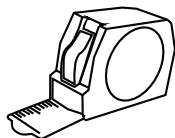
3/16" Drill bit



Pencil



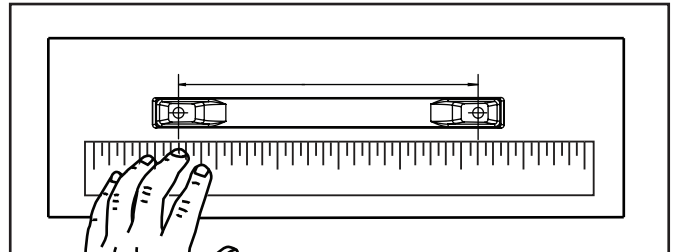
Ruler -or- Tape Measure



1

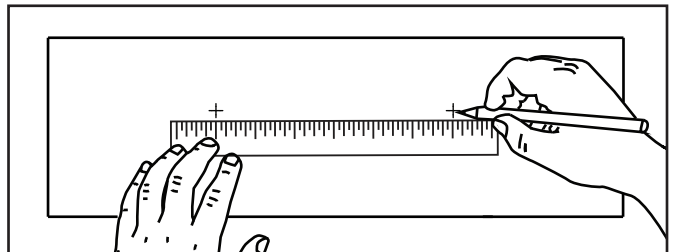
Locate area of installation.

\*For pulls, measure the center to center hole distance.



2

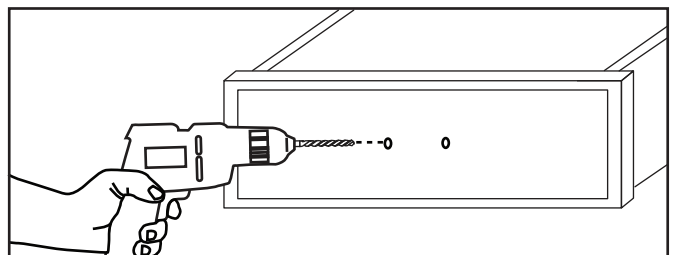
Measure and mark the location of each hole with a ruler or tape measure. Check that the holes are level.



3

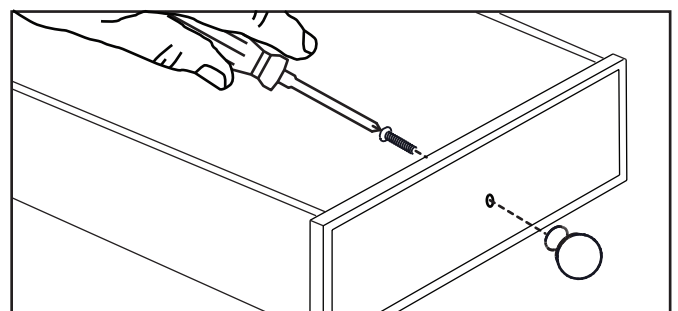
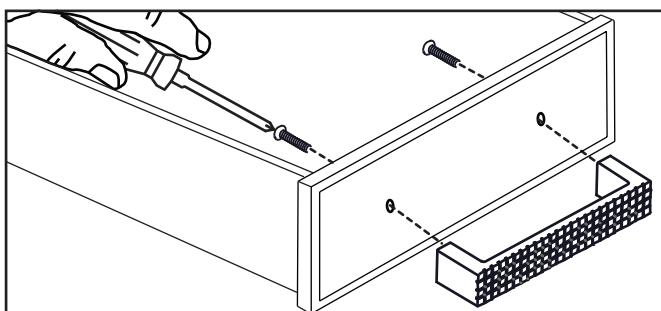
Drill holes at each mark.

\*For best accuracy, drill slowly and apply light pressure.





4

Align holes on hardware with the drilled holes and secure with screws. **⚠ DO NOT overtighten.**





## HARDWARE

### For Pulls

-  (2) #8-32 screws, 1" length
-  (2) #8-32 screws, 1.5" length

### For Knobs

-  (1) #8-32 screws, 1" length
-  (1) #8-32 screws, 1.5" length