



Packaged Central-Ducted Cooling System

Operation Care Installation Manual

**WM-4500DS WM-6500DS WM-8500DS WM-12030DS
WM-4500DS-LA WM-6500DS-LA WM-8500DS-LA WM-12030DS-LA**



By *Vinotemp*
www.vinotemp.com

Read and save these instructions

Vinotemp International Corp
732 S Racetrack Road, Henderson, NV 89015
Tel: (800) 777-VINO Email: info@vinotemp.com

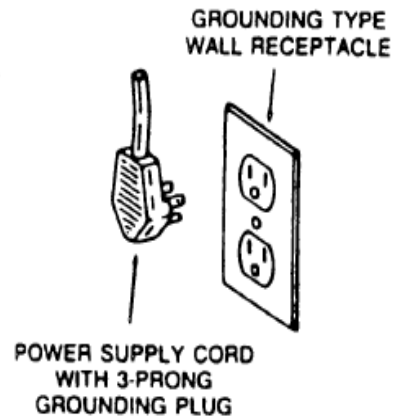
Important Safety Information

WARNING



To avoid the risk of electrical shock, property damage, personal injury or death:

- The power cord must be plugged into a 3-prong grounding-type wall receptacle, grounded in accordance with the National Electrical Code, ANSI/NFPA 70 - latest edition and local codes and ordinances.
- It is the personal responsibility of the consumer to have a proper 3-prong wall receptacle installed by a qualified electrician.
- **DO NOT, UNDER ANY CIRCUMSTANCES, REMOVE THE POWER CORD GROUNDING PRONG.**
- A separate adequately fused and grounded circuit should be available for this appliance.
- Do not remove any grounding wires from individual components while servicing, unless the component is to be removed and replaced. *It is extremely important to replace all grounding wires when components are replaced.*



WARNING



ELECTRIC SHOCK HAZARD

Disconnect electric supply from appliance before servicing.

Replace all panels before operating.

Failure to do so could result in death or electrical shock.

Table of Contents

| | |
|---|-----------|
| Cellar Construction..... | 3 |
| Features & Specifications..... | 4 |
| Temperature & Humidity..... | 6 |
| Care Guide..... | 10 |
| User' Troubleshooting..... | 11 |
| Installer's Instructions..... | 14 |
| Service Instructions..... | 18 |
| Electrical Wirings..... | 25 |
| Customer Support..... | 27 |
| Warranty..... | 28 |

Cellar Construction Guide

This is only a guide and shall be considered as the minimum requirements.

All interior walls, ceilings and floors shall have a vapor barrier and a minimum of R13 insulation. All exterior walls and ceiling shall have a vapor barrier and a minimum of R19 insulation. The vapor barrier shall be installed on the warm side of insulation. All joints, door frames, electrical outlets or switches and any pipes or vents that go through the cellar shall be sealed to prevent air and moisture leaking into the cellar. Concrete, rock, and brick are not insulations or vapor barriers. Doors shall be of a minimum size, insulated to at least R13 and tightly sealed with high quality weather stripping. Be sure to seal the bottom of the door and fill gap between the door's frame and wall before installing the cap molding.

In order to maintain 55 °F in the wine cellar, the ambient temperature surrounding the cellar shall not exceed the temperature of the cellar by more than 25 °F. No cellar walls shall receive direct sun or strong wind.

Lighting shall be of low wattage, with a timer to insure lights are not left on when the cellar is not occupied.

The cooling system will not be able to maintain the proper temperature if fresh moisture-laden air is constantly being introduced to the cellar. Symptoms of this condition are; cooling unit runs all the time with only a slight reduction in temperature and/or water overflows from the cooling unit. Because of the temperature difference between the inside and outside, very small cracks can allow large amounts of outside air to enter into the cellar. Please be aware that moisture can pass through solid concrete, paint and wood. Often a newly constructed cellar contains fresh wood, paint, concrete and other building materials. These materials contain large amounts of moisture. When placed into operation in this type of environment, the system will work harder to remove this extra moisture resulting in increased "run" time.

Features and Specifications

- Wine-Mate packaged central-ducted cooling systems WM-4500~12030DS & WM-4500~12030DS-LA are designed to provide a cold temperature between 50~65 °F with a humidity range within 50~70% RH for a properly insulated wine cellar.
- These temperature and humidity ranges are optimized for long term storage of wine like that in natural caves.
- It is self-contained ready for use and no additional refrigeration tubing is required in the field.
- The cooling systems are designed to provide chilled air to a wine cellar through insulated ducts to provide quieter operation and better installation flexibility.
- The cooling systems can be installed up to 25 ft away from the cellar since the back-curved impeller fans are so powerful to run a total duct length of 50 ft.
- The cooling systems can be installed both outdoors and indoors.

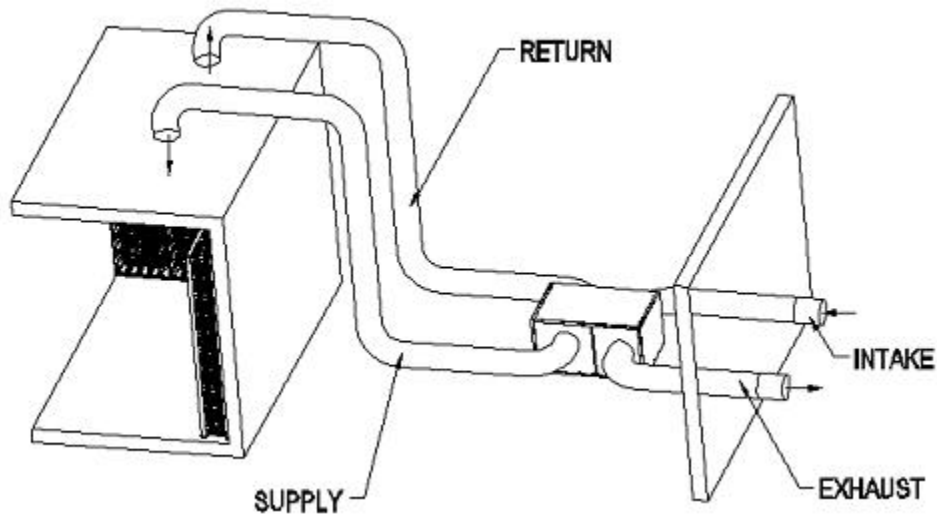


Fig. 1 DS Packaged Central-Ducted Cooling System

| | |
|----------------|--|
| CAUTION | If the cooling unit operates below 50°F, a low ambient condition kit will be required. |
|----------------|--|

| | |
|-------------|--|
| NOTE | The cooling capacity is determined using 55°F cellar temperature, 75°F cellar ambient temperature, 90°F condensing unit ambient temperature, R13 interior insulation and R19 exterior insulations. Higher ambient temperatures or lower insulations will cause reducing capacity and the cellar temperature may not be maintained at 55°F. |
|-------------|--|

The specifications and dimensions are listed as follows:

| | |
|-------------|--|
| NOTE | “LA” refers the unit equipped with a low ambient kit. |
|-------------|--|

| Model No | Dimensions L" x W" x H" | Capacity (Btu/h) Airflow (CFM) | Cellar Size (cu ft) | Refrigerant | Electrical Rating | Min Circuit Ampacity | Weight (lb) |
|---------------|----------------------------|---|---------------------------|-------------|----------------------|----------------------------|----------------|
| WM-4500DS | 45 x 34 x 23 | 4500 380 | 1000 | R134a | 115V- 60Hz-8A | 20A | 140 |
| WM-4500DS-LA | | | | | 115V- 60Hz-9A | | |
| WM-6500DS | 45 x 34 x 23 | 6500 490 | 1500 | R134a | 115V- 60Hz-14A | 30A | 170 |
| WM-6500DS-LA | | | | | 115V- 60Hz-15A | | |
| WM-8500DS | 45 x 34 x 25 | 8500 750 | 2000 | R134a | 115V- 60Hz-17A | 30A | 220 |
| WM-8500DS-LA | | | | | 115V- 60Hz-18A | | |
| WM-12030DS | 45 x 34 x 25 | 12000 810 | 3300 | R134a | 230V- 60Hz-10A | 20A | 260 |
| WM-12030DS-LA | | | | | 230V- 60Hz-11A | | |

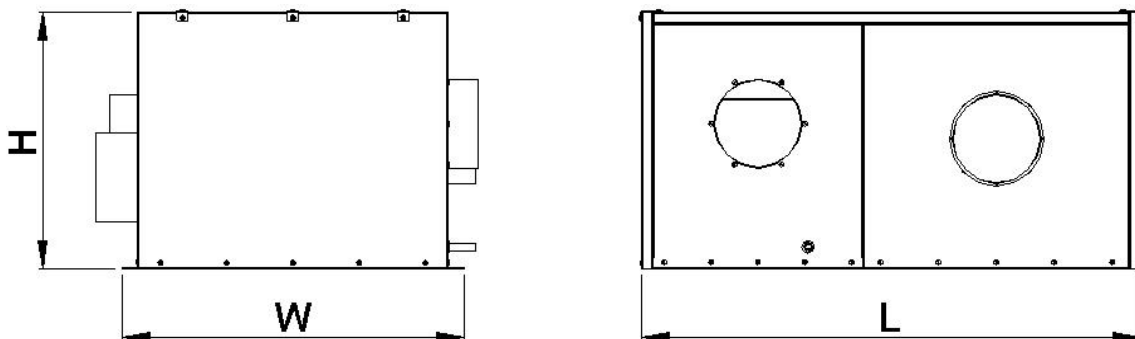


Fig. 2 WM-4500~12030DS Dimensions

Temperature and Humidity

1. The controller



Fig. 3 TEMPERATURE CONTROLLER

1) Keys

SET: To display set-point; in programming mode it selects a parameter or confirms an operation.

: To start a manual defrost.

: To see the maximum stored temperature; in programming mode it browses the parameter codes or increases the displayed value.

: To see the minimum stored temperature; in programming mode it browses the parameter codes or decreases the displayed value.

: To turn on/off the power to the unit.

+ : To lock/unlock the keypad.

SET + : To enter in the programming mode.

SET + : To return to the temperature display.

2) Lock and unlock the keys

To lock the keys, press up + down keys + until POF is displayed; to unlock the keys, press up + down keys + until PON is displayed.

3) Display

During normal operating conditions, the display shows the value measured by the air temperature probe. In case of active alarm, the temperature flashes alternately to the code alarm. The LED functions are listed as follows.

| LED | MODE | FUNCTION |
|-------|----------|---------------------------------|
| | ON | Compressor enabled |
| | Flashing | Anti-short cycle enabled |
| | ON | Defrost enabled |
| | ON | Fan enabled |
| | Flashing | Fan delay after defrost enabled |
| | ON | Alarm occurring |
| °C/°F | ON | Temperature measuring unit |
| °C/°F | Flashing | Programming mode |

4) Alarm Signals

The alarm codes are described as follows.

| MESSAGE | CAUSE | FUNCTION |
|---------|--------------------------|--|
| P1 | Temperature probe faulty | Compressor switching to Con and CoF |
| HA | High temperature alarm | Probe temperature ALU higher than the setting temperature; Outputs unchanged |
| LA | Low temperature alarm | Probe temperature ALL lower than the setting temperature; Outputs unchanged |
| CA | External alarm | All outputs off |

Probe alarms P1”, start a few seconds after the fault in the related probe; they automatically stop a few seconds after the probe restarts normal operation. Check connections before replacing the probe. Temperature alarms “HA”, “LA” automatically stops as soon as the temperature returns to normal value. Alarm “CA” (with i1F=PAL) recovers only by switching off and on the instrument.



2. Temperature Setting

- Set the temperature at 55 °F for the optimum aging of wine
- On initial start-up, the time required to reach the desired temperature will vary, depending on the quantity of bottles, temperature setting and surrounding temperature.
- Allow 24 hours to stabilize the temperature for each new temperature setting operation

3. How to see temperature set-point

- 1) Press and immediately release the **SET** key, the display will show the set-point value.
- 2) Press again and immediately release the **SET** key to display the probe value.

4. How to change the set-point

- 1) Press and hold the **SET** key until the “°C” or “°F” LED starts flashing and the set-point is displayed.
- 2) Press the up/down keys / to change the set-point value within 10 sec.
- 3) Press the **SET** key again to store the new set-point value.




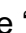



:

| | |
|-------------|---|
| NOTE | The unit turns on at set-point Set plus regulation differential Hy after anti-short cycle AC has elapsed; the unit turns off at set-point Set. |
|-------------|---|

5. Manual Defrost

Press and hold the defrost ❄️ key until defrost starts. The defrost indicator will be on.

6. Parameter Programming

- 1) Press and hold the **SET** +  keys until the “**C**” or “**F**” LED starts flashing, then release the keys.
- 2) Press and hold again the **SET** +  keys until the **Pr2** label is displayed, then release the keys. The first parameter **Hy** will be displayed.
- 3) Press up/down keys / to scroll to the required parameter within 10 sec.
- 4) Press the “**SET**” key to display its value.
- 5) Use up/down keys   to change its value within 10 sec.
- 6) Press “**SET**” to store the new value and the display will flash 3 times.
- 7) **To exit:** Press **SET** +  or wait 15sec without pressing a key.

| PARAMETER | DESCRIPTION | DEFAULT VALUE |
|-----------|---|--|
| Set | set-point (°) | 55 |
| Hy | temperature regulation differential (°) | 4 |
| AC | anti-short cycle delay (min) | 10 (hidden) |
| Con | compress on with probe faulty (min) | 15 |
| CoF | compress off with probe faulty (min) | 30 |
| CF | temperature unit (°F/ °C) | F: Fahrenheit |
| rES | display resolution | in: integer |
| dLy | temperature display delay (min) | 1 |
| ot | probe calibration (°) | 0 |
| LS | minimum set-point (°) | 50 |
| US | maximum set-point (°) | 65 |
| idF | defrost interval time (hour) | 12 |
| MdF | defrost endurance time (min) | 30 |
| ALC | temperature alarm type | rE: relative to set-point |
| ALU | high temperature alarm (°) | 10 |
| ALL | low temperature alarm (°) | 10 |
| AFH | alarm recovery differential (°) | 5 |
| ALd | temperature alarm delay (min) | 60 |
| dAO | temperature alarm delay on startup (hr) | 23 |
| SAA | heater set-point (°) | 40 |
| SHy | heater regulation differential (°) | 4 |
| FSU | fan action | Std |
| FnC | fan operating mode | C-n: on with compressor & off during defrost |
| Fon | fan on with compressor off (min) | 0 |
| FoF | fan off with compressor off (min) | 15 |

| | |
|-------------|--|
| NOTE | Depending on the controller, not all parameters are available |
|-------------|--|

7. How to calibrate the air probe

If the actual cellar temperature differs from the setting temperature, set parameter **ot** = actual cellar temperature minus set-point.

8. How to adjust defrost settings

In case there is excessive frost, the parameters **FnC** = C-y, **idF** = 4 and **MdF** = 20 can be used to avoid frost.

9. How to adjust the humidity

The parameter **Fon** is used to adjust the humidity in the wine cellar. Higher **Fon** results in higher relative humidity. Use a separate hygrometer to monitor the humidity.

10. How to set alarm call

1) Speech notice will be sent to your phones when the cellar temperature is **ALU** higher or **ALL** lower than the set-point **Set**.



2) In order to test the call function, set parameters **Ald** = 0 and **dAO** = 0. After testing, set **Ald** = 60 and **dAO** = 23.

11. How to set cellar heater

The heater turns on at **SAA** minus **Shy**; the heater turns off at **SAA**.

| | |
|-------------|--|
| NOTE | Use a forced air heater to warm up the wine cellar. If there is a thermostat on the heater, bypass it or set the thermostat at the highest level. If the heater runs more than 10 A current, use a 120VAC coil contactor. |
|-------------|--|

Care Guide

| | |
|--|---|
|  WARNING | |
|  | ELECTRIC SHOCK HAZARD Disconnect the electrical power before servicing any components. Failure to do so can result in death or electrical shock. |

In general, always unplug system or disconnect power while doing care.

1. Condenser Coil Cleaning

- Clean the condenser coil regularly. Coil may need to be cleaned at least every 6 months.
- Use a vacuum cleaner with an extended attachment to clean the coil when it is dusty or dirty.

2. Condensate Removing

- Remove the excessive condensate if it is accumulated in the wine cellar under high humidity conditions.

User's Troubleshooting


This Troubleshooting Chart is not prepared to replace the training required for a professional refrigeration service person, not is it comprehensive.

| Complaint | Possible Causes | Response |
|--|--|---|
| 1. Unit not running | <ul style="list-style-type: none"> a. Power cord not plugged b. No power from supply c. Incorrect or loose wirings d. Low voltage e. Setting higher than ambient temperature f. Waiting for cut-in g. Defrost light blinking h. Compressor light blinking i. Defective controller | <ul style="list-style-type: none"> a. Check power cord b. Check receptacle and fuses c. Check all wirings and connections d. Contact an authorized electrician e. Lower temperature setting f. Wait g. Unit is under defrost mode h. Unit is under anti-short cycle delay i. Call service for diagnosis |
| 2. Unit not starting, but temperature rising high | <ul style="list-style-type: none"> a. Anti-short cycle | <ul style="list-style-type: none"> a. Reset AC |
| 3. Temperature fluctuating | <ul style="list-style-type: none"> a. Air probe | <ul style="list-style-type: none"> a. When using an air probe, the wine bottle temperature is mainly controlled by the average air temperature. If the set-point is 55°F with the differential 4F, the cooling unit turns on at 59°F of air temperature (It may be higher than 59°F if it is in anti-short cycle or defrost) and turns off at 55°F of air temperature. The average air temperature is 57°F, and then the wine temperature is around 57+/- 0.5°F. The air is light enough to change so quickly that it maintains relatively constant average temperature that would prevent wine bottle temperature from fluctuating. |
| 4. Temperature high, unit stopping and starting normally | <ul style="list-style-type: none"> a. Temperature setting high | <ul style="list-style-type: none"> a. Lower the setting |
| 5. Temperature high, unit stopping and starting with short running time | <ul style="list-style-type: none"> a. Air probe touching the evaporator coil, displaying temperature ok b. Air probe in cold-air supply, displaying temperature ok c. Failed controller and probe | <ul style="list-style-type: none"> a. Move the air probe away from the evaporator b. Move the air probe away from the cold-air supply c. Call service for diagnosis |
| 6. Temperature high or not cooling and running continually | <ul style="list-style-type: none"> a. Improper cellar insulation & seal b. Cellar too large c. Ambient temperature too high d. Exhaust restricted | <ul style="list-style-type: none"> a. Check insulation, gasket and door opening b. Check for excessive size c. Check installation location d. Leave minimum 3 feet clearance for the hot air exhaust side and leave |

| | | |
|---|--|---|
| | <ul style="list-style-type: none"> e. Malfunctioning fans f. Evaporator or condenser airflow g. Dirty Condenser h. Iced evaporator i. Refrigeration system restriction j. Refrigerant leak k. Undercharge or overcharge l. Failed components | <p>minimum 1 foot clearance for the ambient air intake side</p> <ul style="list-style-type: none"> e. Check for both evaporator and condenser fans f. Check for air restrictions, air short-circulation, grille directions g. Clean condenser h. Defrost and reset temperature i. Call service j. Call service k. Call service l. Check compressor windings, start relay and overload protector |
| 7. Unit running too long | <ul style="list-style-type: none"> a. Improper cellar insulation & seal b. Exhaust restricted c. Cellar too large d. Ambient temperature > 90°F e. Dirty Condenser f. Improper condenser air flow | <ul style="list-style-type: none"> a. Check insulation, gasket and door opening b. Leave minimum 3 feet clearance for the hot air exhaust side and leave minimum 1 foot clearance for the ambient air intake side c. Check for excessive size d. Check for installation location e. Clean condenser f. Check for fan and air short circulation |
| 8. Condenser fan running but compressor not running | <ul style="list-style-type: none"> a. Incorrect or loose wirings b. Failed components c. Liquid refrigerant in the compressor | <ul style="list-style-type: none"> a. Check all wirings and connections b. Check start relay, start capacitor, overload protector, compressor. c. Call service. |
| 9. Compressor running but condenser fan not running | <ul style="list-style-type: none"> a. Fan blade stuck b. Incorrect or loose wirings c. Failed motors d. Fan cycle control | <ul style="list-style-type: none"> a. Check for proper clearance b. Check all wirings c. Call service d. Check for setting |
| 10. Temperature high, compressor stopping and starting but very short running time | <ul style="list-style-type: none"> a. Failed components b. Improper condenser airflow c. Dirty condenser d. Overcharge of refrigerant e. Discharge or suction pressure too high | <ul style="list-style-type: none"> a. Check compressor windings, start relay and overload protector. b. Check for condenser fan c. Clean condenser d. Call service for removing refrigerant e. Call service for information |
| 11. Evaporator fan running too long | <ul style="list-style-type: none"> a. Post-compressor fan running mode for humidity modulation | <ul style="list-style-type: none"> a. Reset FON |
| 12. Evaporator fan running but condensing unit not running | <ul style="list-style-type: none"> a. Incorrect or loose wirings b. Failed components c. Low refrigerant | <ul style="list-style-type: none"> a. Check all wirings and connections b. Check start relay, start capacitor, overload protector, compressor. c. Call service |
| 13. Temperature low | <ul style="list-style-type: none"> a. Low temperature setting b. Low ambient temperature c. Air probe fault d. Temperature controller fault | <ul style="list-style-type: none"> a. Raise the setting b. Move to another location c. Check probe connections or change a new one d. Change a new one |
| 14. Evaporator freezing up | <ul style="list-style-type: none"> a. Evaporator air flow restriction b. Condenser air flow restriction | <ul style="list-style-type: none"> a. Check for fans and CFM b. Check for fans and CFM |

| | | |
|--|--|---|
| | <ul style="list-style-type: none"> c. Not stopping due to air leak, high ambient temperature or low temperature setting d. Defective controller or probe e. Low ambient temperature f. Initially working then stopping, moisture in the system g. Refrigerant low or leaking h. Expansion valve blockage | <ul style="list-style-type: none"> c. Check for seal, door opening, ambient temperature and temperature setting d. Check for controller and probe e. Change defrost settings f. Call service g. Call service h. Call service |
| 15. Water leak | <ul style="list-style-type: none"> a. Air leak in the wine cellar causing excessive condensate b. High humidity causing excessive condensate c. Evaporator air flow restriction d. Drain restricted or unit not level, and water overflowing e. Drip tray leak (No overflow but leak) | <ul style="list-style-type: none"> a. Check for air leak b. Use drain line c. Check supply air flow or air TD d. Clean the drip tray and drain line e. Seal the leak using silicone sealant |
| 16. Excessive condensate in wine cellar | <ul style="list-style-type: none"> a. Air leak in the wine cellar causing excessive condensate b. High humidity causing excessive condensate c. Drain restricted | <ul style="list-style-type: none"> a. Check for any air leak b. Use drain line c. Clean the drip tray and drain line |
| 17. Condensate inside ducts | <ul style="list-style-type: none"> a. Drain line restricted b. Continually running not stopping c. Too cold supply air | <ul style="list-style-type: none"> a. Check for drain b. raise temperature setting or increase defrost c. Increase air flow or raise temperature setting |
| 18. Condensate outside ducts | <ul style="list-style-type: none"> a. Duct not insulated b. High humidity c. Too cold supply air | <ul style="list-style-type: none"> a. Check for insulation b. Use dehumidifier c. Increase air flow or raise temperature setting |
| 19. Circuit tripping | <ul style="list-style-type: none"> a. Incorrect fuse or breaker b. Incorrect wirings c. Failed components | <ul style="list-style-type: none"> a. Check for proper fuse or breaker b. Check for wirings and connections c. Call service |
| 20. Noisy operation | <ul style="list-style-type: none"> a. Mounting area not firm b. Loose parts c. Compressor overloaded due to high ambient temperatures or airflow restriction d. Defective components | <ul style="list-style-type: none"> a. Add support to improve installation b. Check fan blades, bearings, washers, tubing contact and loose screws. c. Check for airflow d. Call service for checking internal loose, inadequate lubrication and incorrect wirings |

Installer's Instructions

| ⚠ WARNING | |
|---|---|
|  | <p>Always check wiring harness connections before initiating any test procedures.</p> <p>Disconnect electric power from the appliance before performing any maintenance or repairs.</p> <p>Voltage checks should be made by inserting meter probes beside the wires in the connector blocks with the electric power source on and the connector block plugged in.</p> <p>Resistance checks should be made on components with the electric power off and the connector block disconnected.</p> |

| | |
|----------------|--|
| WARNING | Do not use a ground fault interrupter (GFI). A dedicated circuit is required. |
|----------------|--|

Federal law requires that WINE-MATE cooling systems be installed by an EPA certified refrigeration technician.

1. General Instructions

WINE-MATE packaged central-ducted cooling system is shipped ready for use only after a certified refrigeration technician has properly installed the system. Proper installation is critical. Vinotemp can only warrant the quality of the components. The installation of the system must be warranted by the installer. Installation of the system must be done in accordance with all state and local building and electrical codes.

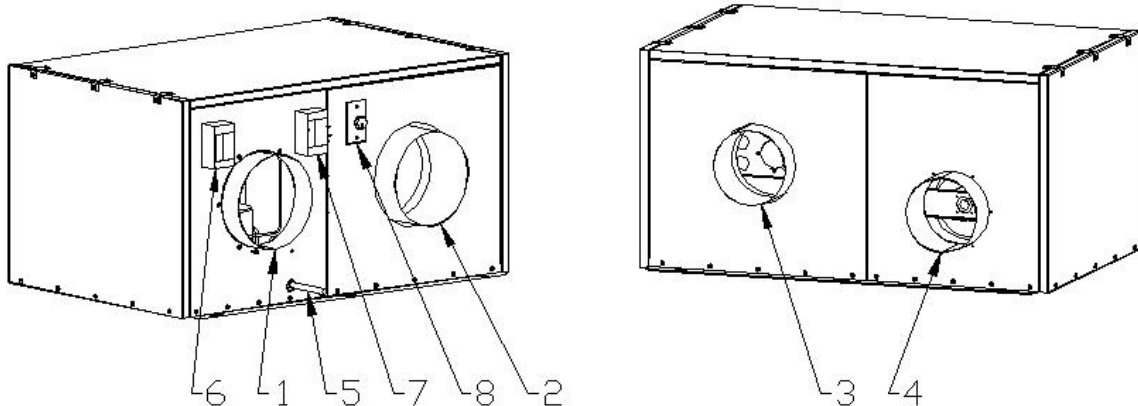


Fig. 4 WM-4500~8500DS Cooling System

1-Fresh air intake (condenser); 2-Cellar air return (evaporator); 3-Cold air supply (evaporator); 4-Hot air exhaust (condenser); 5-Condensate drain; 6-Outlet box (condenser); 7-Outlet box (evaporator); 8-Fan speed control (evaporator)

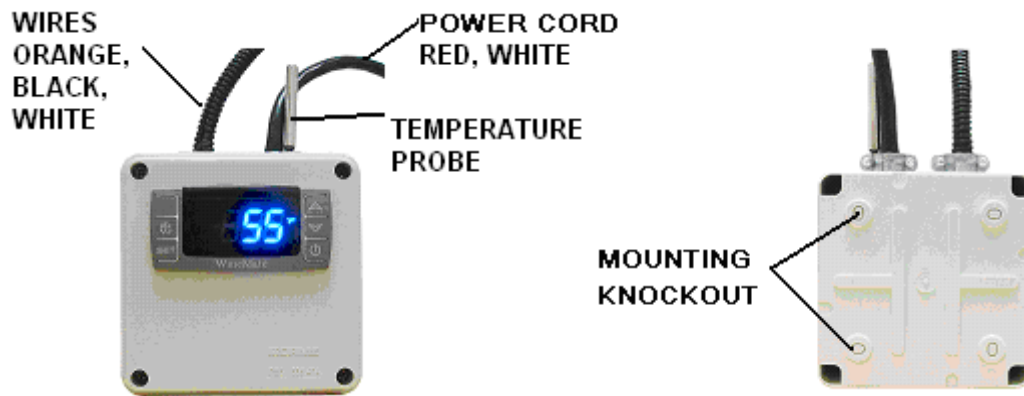


Fig. 5 Temperature Controller (4.25”L x 3.75”D x 4.25”H)

Parts included:

Packaged Cooling system
 Temperature Controller (4.5”L x 4.5”W x 3.75”D) & Air Probe

Parts not included:

Insulated ducts

| | |
|----------------|---|
| CAUTION | If the unit operates below 50°F, a low ambient condition kit will be required. |
|----------------|---|

2. Location

- Place the cooling unit in a properly ventilated location. If it is not, heat exhausted by the unit will build up and the cooling unit will not operate properly.
- The cooling unit shall be elevated to avoid possible flooding and shaded from direct sun. It shall not be exposed to temperatures higher than 110 °F or lower than 50 °F.
- Leave minimum 5 feet clearance for hot air exhaust and leave minimum 1 foot clearance for fresh air intake.
- Cold air supply shall be unobstructed for minimum 12” for a direct blow installation or 2” for a deflector installation. Cellar air return shall be unobstructed for minimum 6”.

3. Mounting

- The unit must be mounted on a floor or slab that is level and strong enough to support up to 300lb.
- There are six ½” bolts required to secure the unit base.

- There is a gravity drain system used, so the unit shall be installed level or with a slight slope downward the drain connection and the drain line shall be installed slope down toward the drain.

4. Temperature Controller and Air Probe

- The temperature controller can be mounted either inside or outside the wine cellar, but the air probe must be located inside the wine cellar or the return duct.
- The air probe shall be located in the wine cellar 5 ft above the floor or the air return area, but it shall not be located in the air supply area or other areas where air is not circulated.
- Air probe can be pulled out of the temperature controller up to 5 ft. If additional wires are necessary, 18 gauge wires may be used to extend the air probe.
- If the air probe is installed in a return duct, the evaporator fans shall be running at all times. Meanwhile due to the temperature differential the air probe calibration should be done to maintain the proper wine cellar temperature.

5. Insulated Duct and Drain Line Installation

- Cold air supply and cellar air return ducts can be up to a total length of 50 ft.
- Hot air exhaust and fresh air intake ducts can be up to a total length of 50 ft.
- Secure the ducts with conduits to the cellar exterior walls and make sure they are not curled, twisted, bent and clogged.
- Hook up the drain line. If rise-up of the drain line is needed, a condensation pump must be used.

| Model No | Insulated Duct | Condensate Drain |
|-----------------------------|----------------|------------------|
| WM-4500DS WM-4500DS-LA | 8" | 3/4" MPT |
| WM-6500DS WM-6500DS-LA | 10" | 3/4" MPT |
| WM-8500DS WM-8500DS-LA | 10" | 3/4" MPT |
| WM-12030DS WM-12030DS-LA | 10" | 3/4" MPT |

6. Intake and Exhaust Guards

- If the intake and exhaust are located outdoors, protection guards may be required.

7. Field Wirings


| | |
|----------------|---|
| CAUTION | <p>Use minimum 14 gauge wires for power lines. If the unit is equipped with low ambient condition kit, use low ambient temperature wiring diagrams. A safety switch is always recommended for the condensing unit.</p> |
|----------------|---|

- Connect the wires in the outlet box of condensing unit to the power lines.
- Connect the wires in the outlet box of evaporator unit to the temperature controller, and then connect the controller to the power lines.

8. Unit Operating

| | |
|----------------|---|
| CAUTION | <p>If the low ambient condition kit is used, turn off the compressor switch (located at the outlet box of condensing unit) and then power the condensing unit only. Turn on the compressor and power the evaporator unit after the condensing unit has been powered for 12 hours</p> |
|----------------|---|

| | |
|-------------|--|
| NOTE | <p>Make sure the fan speed control is turned on</p> |
|-------------|--|

- Turn on the power.
- Press temperature controller  to turn on the unit.
- It is necessary to check the air flow to meet the specified CFM. You may use fan speed control to adjust the system refrigeration performance to achieve 8-10°F differential between return air and supply air while wine room temperature is maintained at 55°F. Turn the control knob clockwise to decrease the air flow or counter-clockwise to increase the air flow.

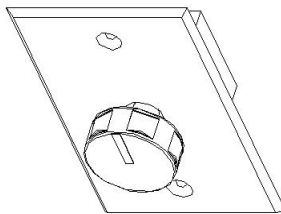


Fig. 6 Fan Speed Control

Service Instructions

1. Service Valve Operations

1-Manifold High or Low Pressure Hose; 2-Receiver Discharge or Compressor Suction Port; 3-Liquid or Suction Line; 4-Pressure Control;

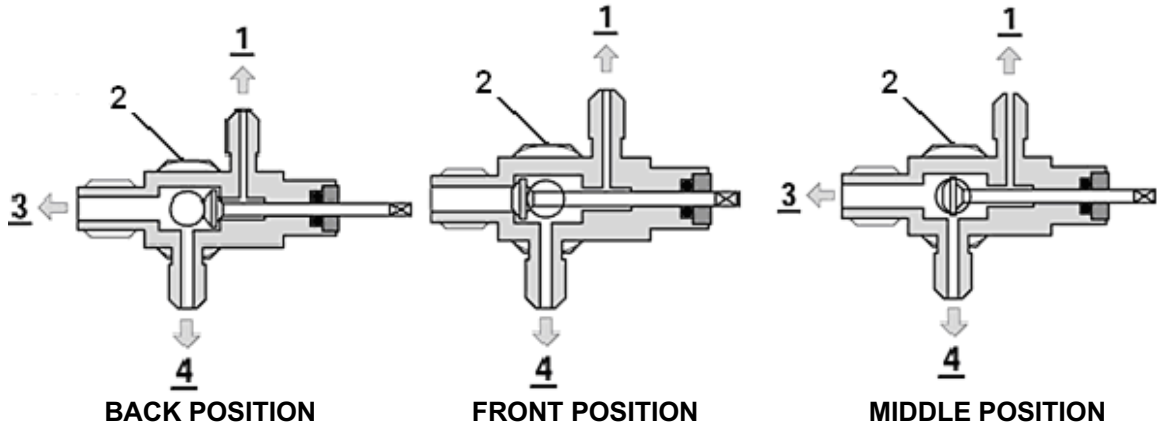


Fig. 7 Rotalock Valve Operation

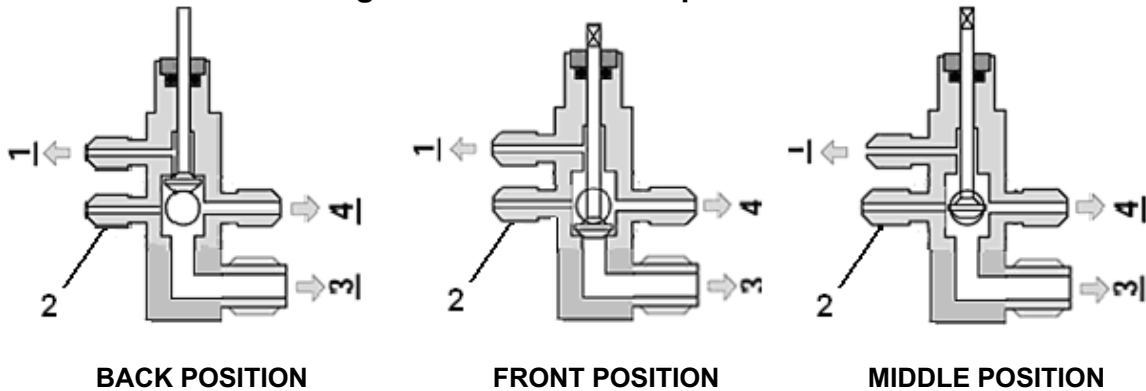


Fig. 8 Base Valve Operation

Back Position: Normal operation, manifold port is closed.

Front Position: Storage operation, liquid or suction line connection is closed.

Middle Position: Installation operation, all ports are open.

2. Refrigeration Piping and Leak Testing

The line sizes and refrigerant charges are listed as follows.

| Model No. | Liquid Line | Suction Line | Recommended Initial Charge |
|---------------------------|-------------|--------------|----------------------------|
| WM-4500DS WM-4500DS-LA | 1/4" OD | 1/2" OD | R134a / 26 OZ |

| | | | |
|-----------------------------|---------|---------|---------------|
| WM-6500DS WM-6500DS-LA | 1/4" OD | 1/2" OD | R134a / 32 OZ |
| WM-8500DS WM-8500DS-LA | 3/8" OD | 5/8" OD | R134a / 40 OZ |
| WM-12030DS WM-12030DS-LA | 3/8" OD | 7/8" OD | R134a / 56 OZ |



Fig. 9 Liquid Filter

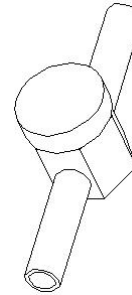


Fig. 10 Liquid Indicator

- 1) The piping starts from → condensing unit's receiver discharge valve → liquid filter → liquid indicator → liquid line → to evaporator unit's liquid line connection (assembled with solenoid valve and expansion valve) → suction line connection → insulated suction line → to condensing unit's suction valve.
- 2) Complete pipe brazing, check solenoid valve and expansion valve restrictions and perform leak testing.
- 3) Hook up the drain line and check if water drains.

3. Connecting Electrical Wires

Connect all electrical components using the wiring diagrams in accordance with all state and local codes.

4. Evacuating, Charging and Starting the system

| | |
|-------------|---|
| NOTE | <p>The recommended initial charges are used for reference only, always use the superheat, subcooling and pressure readings to charge refrigerant properly.</p> <p>If the unit is equipped with a low ambient condition kit and installed in the summer, add 15% more refrigerant.</p> |
|-------------|---|

- 1) Turn both discharge and suction valves in the middle positions.
- 2) Connect the manifold high or low pressure hose to the discharge or suction valve and connect it to a vacuum pump.
- 3) Open the manifold high and low pressure valves to evacuate the system.
- 4) Close the manifold high and low pressure valves and switch it to a charging scale.

- 5) Open the manifold high and low pressure valves to charge the system using the recommended initial charge.
- 6) Close the manifold high and low pressure valves. Turn on the power to start the system.
- 7) Check the following temperatures and pressures.

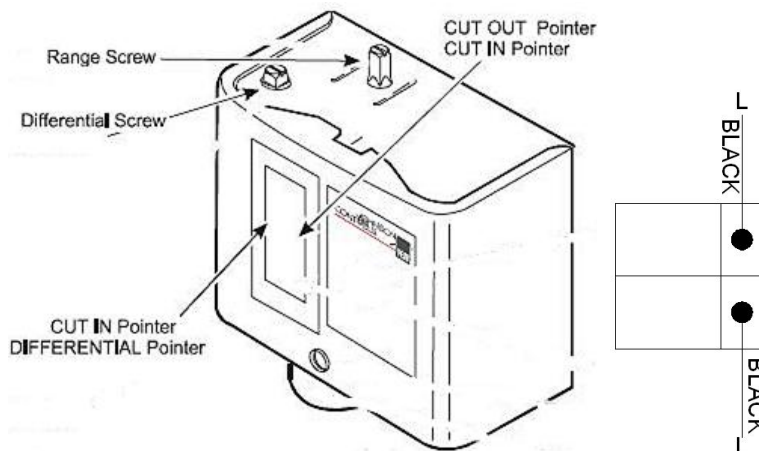
5. Adjusting and Completing the Installation

- 1) Checking pressure control settings

I. The adjustable pressure control

Suction pressure setting: Cut out=5 psig; Cut in=25 psig; Differential=20 psig
 Head pressure setting: Cut out=230 psig; Cut in=150 psig; Differential=80 psig
 It is necessary to adjust the setting in the field to reach the correct cycle time.

A. P70 Single/Dual Control



B. PS2 Dual Control

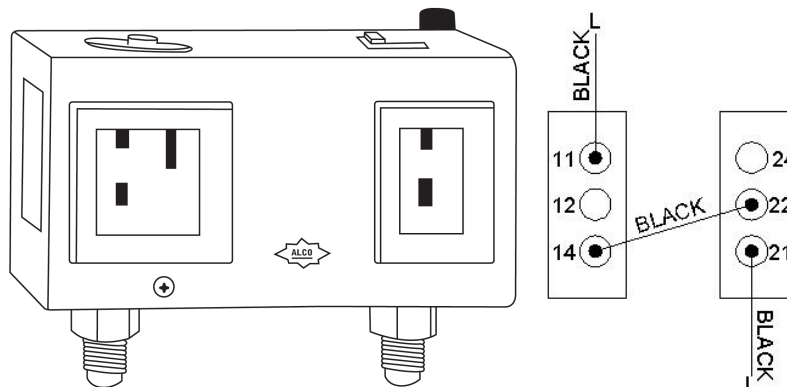


Fig. 11 Adjustable Pressure Control

II. Low ambient condition kit (if applicable)

A. The crankcase heater

The crankcase heater is installed at the bottom of the compressor and shall be turned on all the time. The heater is self-regulated.

B. The condenser fan control

The condenser fan control is installed at the high side. It closes on rise of pressure. It is necessary to adjust the setting in the field to avoid fan short cycle.

Head pressure setting: Cut in=170 psig; Cut out=110 psig; Differential=60 psig;

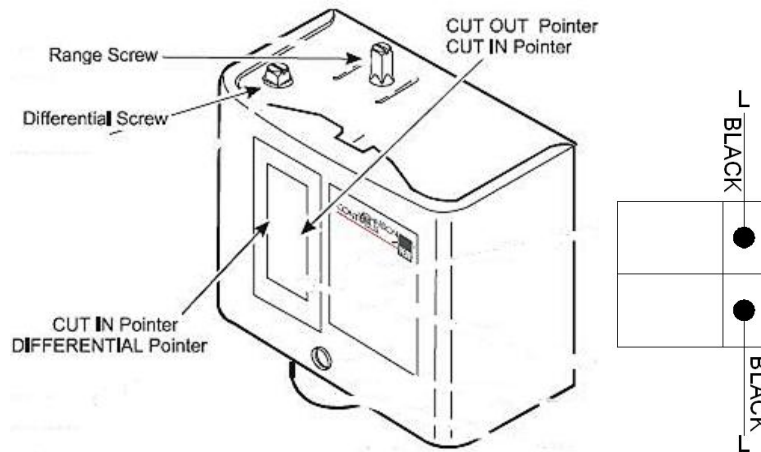


Fig. 12 Condenser Fan Cycle Control

2) A fan speed control may be used to adjust the air flow to achieve the specified CFM. The fan will run from the minimum speed to full speed with the control knob at the lowest and highest speed position. To adjust the minimum speed, turn control knob to the lowest speed position, then rotate the setting (located on the side or front) clockwise to decrease the minimum speed or counter-clockwise to increase the minimum speed. The minimum speed should be adjusted until it supplies the required CFM.

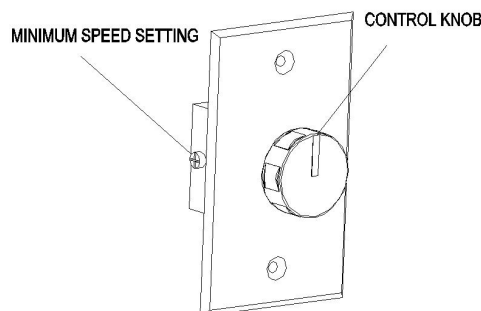


Fig. 13 Fan Speed Control

- 3) The subcooling at the condensing unit shall be around 10°F. The charge may be complete when there are no more bubbles forming in the liquid indicator.
- 4) The head pressure shall be 120 ~ 150 psig at 70 ~ 90 °F condensing unit operating temperatures.
- 5) The evaporator's constant pressure expansion valve is set around 30 ~ 35 psig (35 ~ 40°F) at factory. This pressure setting gives a dew point to maintain the proper humidity for storing wine.
- 6) The temperature split across the evaporator shall be 8 ~ 10°F at 55°F wine cellar temperature.
- 7) Again, you must verify if the superheat at the evaporator unit is 9 ~ 18°F at 55 °F ~ 65 °F wine cellar temperatures.
- 8) If the superheat is high, check the subcooling first to see if the refrigerant charge is sufficient. If the charge is not sufficient, add more refrigerant (Liquid must always be charged into the hide side when the compressor runs). If the charge is good, then increase the evaporator suction pressure by turning the hex nut (5/16") clockwise.
- 9) If the superheat is low, then decrease the evaporator suction pressure by turning the hex nut (5/16") counter-clockwise.

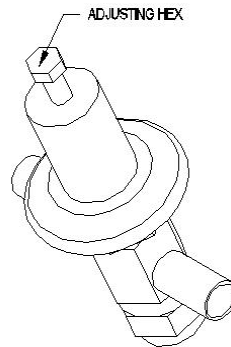


Fig. 14 Expansion Valve

- 10) Turn both discharge and suction valves in the back positions.
- 11) Disconnect the manifold.

6. Pressure, Superheat and Subcooling Readings

| | |
|----------------|--|
| CAUTION | To read properly, the service valves must be in the middle positions. |
|----------------|--|

| Complaint | Possible Causes |
|--|--------------------------|
| 1) High suction pressure and low head pressure Zero superheat and zero subcooling | 1) Compressor may be bad |

| | |
|---|--|
| <p>2) High suction pressure and low head pressure Low superheat and low subcooling</p> <p>3) High suction pressure and high head pressure Low superheat and high subcooling</p> <p>4) High to normal suction pressure and high head pressure Low subcooling</p> <p>5) High suction pressure and high head pressure Low superheat and low subcooling</p> <p>6) High suction pressure and high head pressure High superheat</p> <p>7) Low suction pressure and low head pressure High superheat and low subcooling</p> <p>8) Low suction pressure and low to normal head pressure High superheat and high subcooling</p> <p>9) Low suction pressure and low head pressure Normal to high superheat and low subcooling</p> <p>10) Low suction pressure and low head pressure Low superheat and low subcooling</p> <p>11) Low suction pressure and low to normal head pressure High superheat and normal to high subcooling</p> <p>12) Low suction pressure and normal head pressure High superheat and normal subcooling</p> <p>13) Low suction pressure and high head pressure High superheat and high subcooling</p> <p>14) Low suction pressure and high head pressure High superheat and high subcooling</p> <p>15) low to normal suction pressure and high head pressure Normal to high superheat and high subcooling</p> | <p>2) Expansion valve opened, too much oil</p> <p>3) Overcharge</p> <p>4) Non-condensable gas</p> <p>5) Air restricted, dirty condenser, bad condenser fans</p> <p>6) High cellar temperature, high evaporator load</p> <p>7) Undercharge</p> <p>8) Liquid line restricted after receiver, solenoid valve restricted</p> <p>9) Suction line restricted</p> <p>10) Air restricted at evaporator, evaporator iced</p> <p>11) Evaporator restricted</p> <p>12) Expansion valve restricted</p> <p>13) Both evaporator and condenser restricted; liquid and suction lines connected wrong</p> <p>14) Liquid line restricted before receiver</p> <p>15) Condenser restricted</p> |
|---|--|

2. Condensing Unit Troubleshooting

| Unit not running | |
|--|--|
| 1) Incorrect power supply | 1) Check for proper voltage |
| 2) Incorrect or loose wirings | 2) Check all wirings and connections |
| 3) Failed components | 3) Check start relay, start capacitor, overload protector, compressor. |
| 4) Low pressure switch shutting down the system | 4) Check for system restriction or low refrigerant |
| 5) high pressure switch shutting down the system | 5) Check for the condenser fan |

Electrical Wiring Diagrams

| | |
|----------------|---|
| CAUTION | Hidden lines are the field wirings Use minimum 14 gauge wires for power lines. If equipped with low ambient condition kit, use low ambient temperature wiring diagrams. A safety switch is always recommended for the condensing unit. |
|----------------|---|

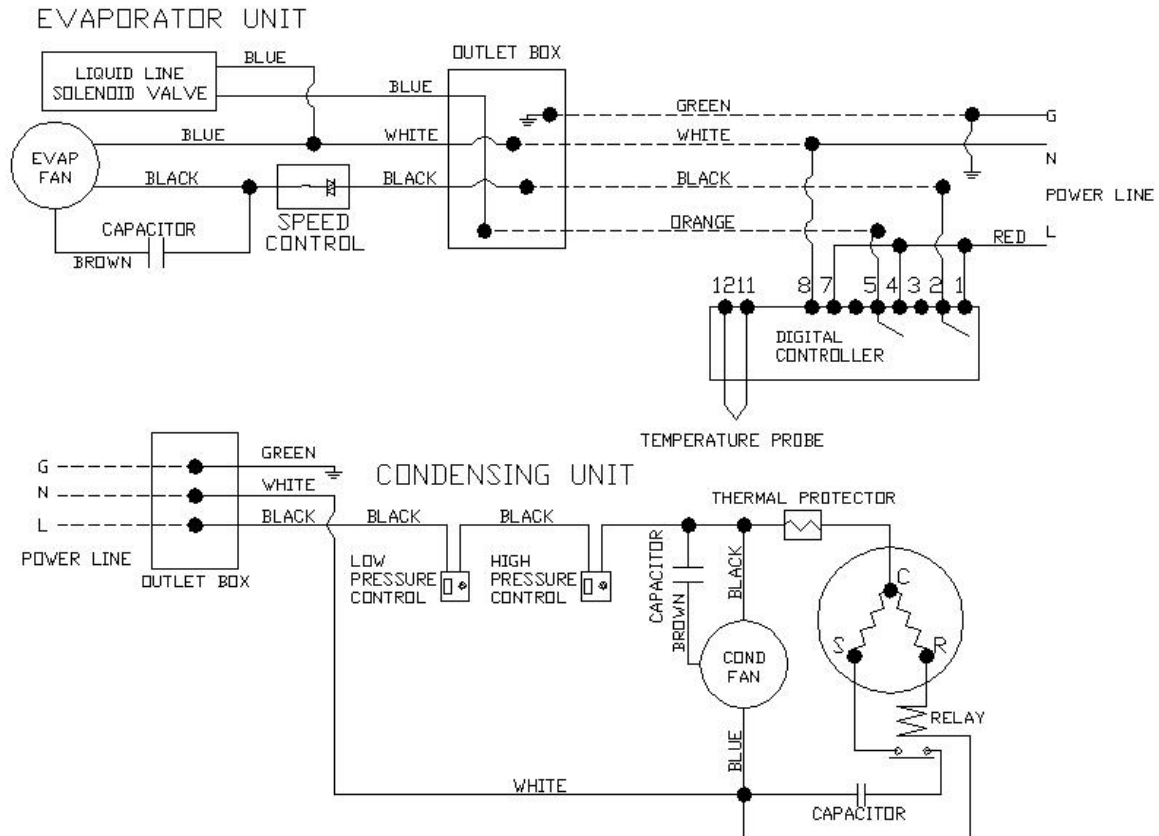
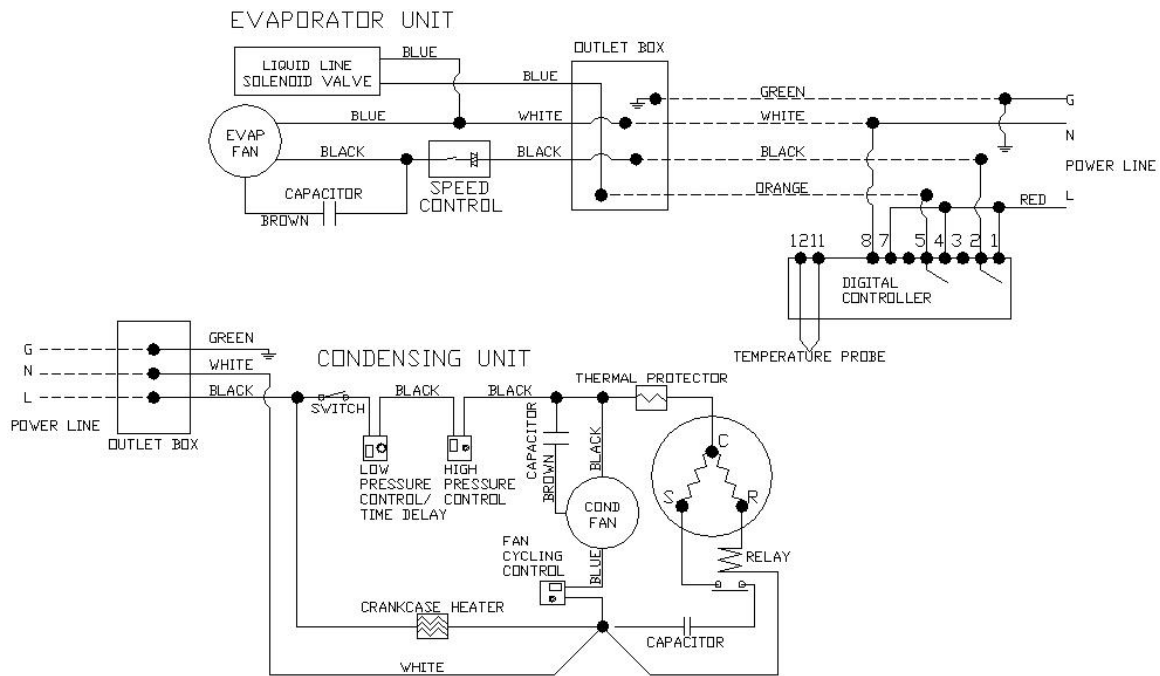


Fig. 15 WM-4500 & 12030DS Electrical Wiring Diagram



**Fig. 16 Low Ambient Temperature
WM-4500DS-LA~12030DS-LA Electrical Wiring Diagram**

Customer Support

If you need further assistance, please contact us at:

Vinotemp International
732 South Racetrack Road
Henderson, NV 89015
Tel: (310) 886-3332
Email: info@vinotemp.com

Warranty

Thank you for choosing a Vinotemp cooling unit.

Please enter the complete model and serial numbers in the space provided:

Model _____
Serial No. _____

Attach your purchase receipt to this owner's manual.

1. Limited Warranty

VINOTEMP warrants its products, parts only, to be free from defects due to workmanship or materials under normal use and service for twelve months after the initial sale. If the product is defective due to workmanship or materials, is removed within twelve months of the initial sale and is returned to VINOTEMP, in the original shipping carton, shipping prepaid, VINOTEMP will at its option, repair or replace the product free of charge.

This warranty constitutes the entire warranty of the VINOTEMP with respect to its products and is in lieu of all other warranties, express or implied, including any of fitness for a particular purpose. In no event shall VINOTEMP be responsible for any consequential damages what is so ever. Any modification of VINOTEMP products shall void this warranty.

Service under Warranty

This service is provided to customers within the continental UNITED STATES only. VINOTEMP cooling units are warranted to produce the stated number of BTU/H. While every effort has been made to provide accurate guidelines, VINOTEMP cannot warranty its units to cool a particular enclosure.

In case of failure, VINOTEMP cooling units must be repaired by the factory or its authorized agent. Repairs or modifications made by anyone else will void the warranty.

Shall a VINOTEMP cooling unit fail, contact the dealer for instructions, do not return the unit to the factory without authorization from VINOTEMP. If the unit requires repair, re-pack it in the original shipping carton and return it to the factory, shipping prepaid. VINOTEMP will not accept COD shipments. If the unit is determined to be faulty and is within the twelve-month warranty period

VINOTEMP will, at its discretion, repair or replace the unit and return it free of charge to the original retail customer. If the unit is found to be in good working order, or beyond the initial twelve-month period, it will be returned freight collect.

2. Limitation of Implied Warranty

VINOTEMP'S SOLE LIABILITY FOR ANY DEFECTIVE PRODUCT IS LIMITED TO, AT OUR OPTION, REPAIRING OR REPLACING OF UNIT.

**VINOTEMP SHALL NOT BE LIABLE FOR:
DAMAGE TO OTHER PROPERTY CAUSED BY ANY DEFECTS IN THE UNIT,
DAMAGES BASED UPON INCONVENIENCE, LOSS OF USE OF THE UNIT,
LOSS OF TIME OR COMMERCIAL LOSS, ANY OUTER DAMAGES,
WHETHER INCIDENTAL, CONSEQUENTIAL OR OTHERWISE.**

THIS WARRANTY IS EXCLUSIBE AND IS IN LIEU OF ALL OTHER WARRANTIES, EXPRESSED OR INPLIED, INCLUDING BUT NOT LIMITED TO, IMPLIED WARRANTIES OF MERCHANTABILITY OR FITNESS FOR A PARTICULAR PURPOSE.

While great effort has been made to provide accurate guidelines VINOTEMP cannot warrant its units to properly cool a particular enclosure. Customers are cautioned that enclosure construction, unit location and many other factors can affect the operation and performance of the unit. There for suitability of the unit for a specific enclosure or application must be determined by the customer and cannot be warranted by VINOTEMP.