

W8153C

Bellingham Single Handle Kitchen Faucet, Side Spray



MODELS:

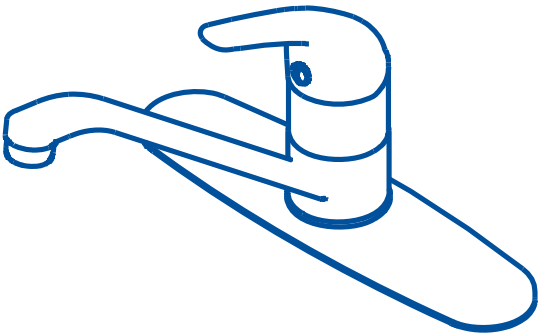
- W8153C: Chrome
- W8153BN: Brush Nickel

FAUCET CONSTRUCTION:

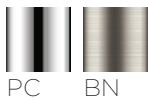
- 35mm ceramic disk cartridge with hot limit adjustment ring.
- Plastic underbody with 23" s.s. braided supplies.
- Zamac#3 chrome plated metal handle.
- 3/8" female compression inlet threads.

OPERATION:

- Single control lever handle.
- Requires less than 5 lb force to operate valve.
- Temperature adjustment 90° from full hot to full cold.
- 1.8 GPM (6.8 L/min) aerator.
- With side spray



STOCK FINISH:



STANDARDS:

- Low lead compliant (0.25% Pb max).
- Designed and manufactured to comply with CSA 8-125, ASME A112.18.1M, and ADA standards.



MOUNTING SURFACE REQUIREMENTS:

- Surface thickness 1-1/2" maximum.
- Four (1-1/4" min to 1-5/8" max) holes, 4" on center.

Information continues on next page

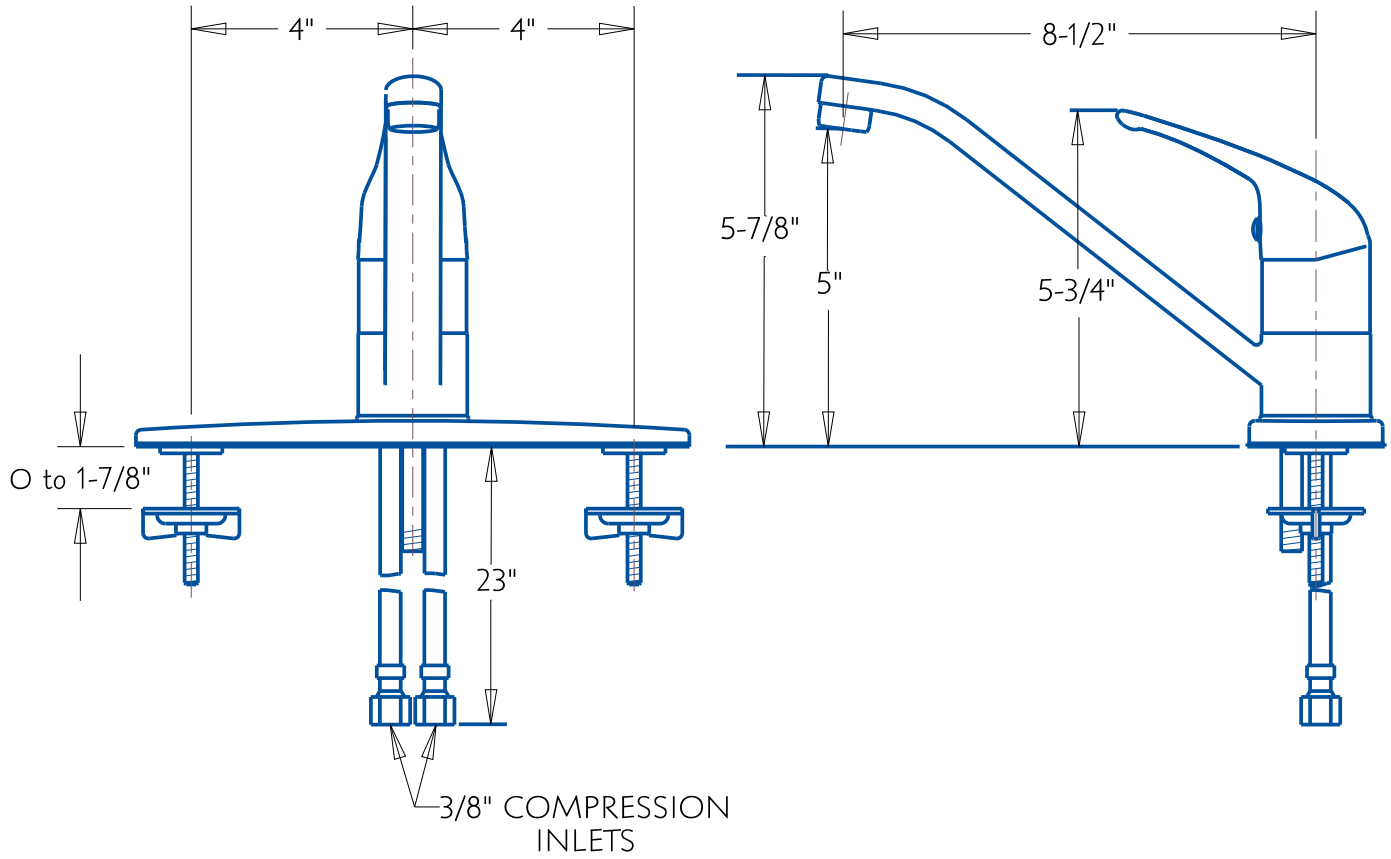
All dimensions are in inches (millimeters) unless otherwise specified and are subject to change without notice.

Architect/Engineer Approval Space:

P: 800-537-2107
F: 800-977-2747
W: WWW.SPEAKMAN.COM
R: 02-FEBRUARY 2019

W8153C

Bellingham Single Handle Kitchen Faucet, Side Spray



All dimensions are in inches (millimeters) unless otherwise specified and are subject to change without notice.

Architect/Engineer Approval Space:

P: 800-537-2107
F: 800-977-2747
W: WWW.SPEAKMAN.COM
R: 01-FEBRUARY 2018