

W5110C

Sarana Single Handle Centerset Bathroom Faucet
w/ Pop-up



MODELS:

- W5110C: Chrome
- W5110BN: Brush Nickel

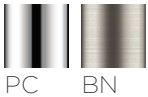
FAUCET CONSTRUCTION:

- 35mm ceramic disk cartridge with hot limit adjustment ring.
- Brass body with copper supplies.
- Chrome plated plastic throat plate
- Zamac#3 chrome plated metal handle and deck plate.
- Brass supply connection adapters with 1/2" IPS threads.
- Brass pop-up assembly on all units.

OPERATION:

- Single control lever handle.
- Requires less than 5 lb force to operate valve.
- Temperature adjustment 90° from full hot to full cold.
- 1.2 GPM (4.5 L/min) aerator.

STOCK FINISH:



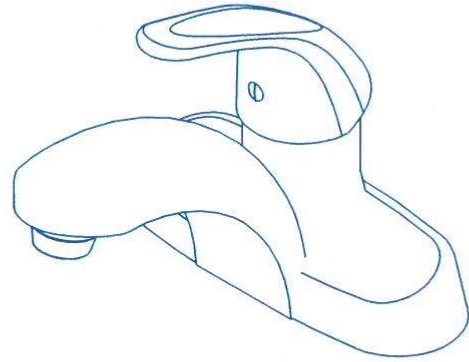
STANDARDS:

IAPMO/UPC CERTIFIED

- ASME A 112.18.1-2012/CSA B125.1-12
- NSF/ANSI 61-2012
- NSF/ANSI 372-2011 (LEAD FREE)
- WATERSENSE

MOUNTING SURFACE REQUIREMENTS:

- Surface thickness 1-1/2" maximum.
- Three 1-1/4" diameter holes (2" on centers).



Information continues on next page

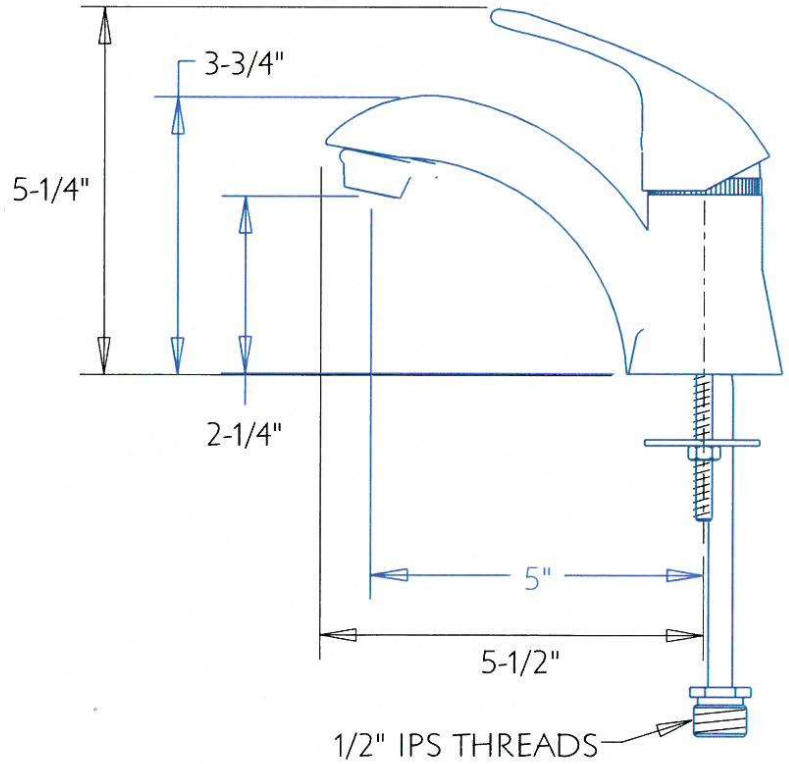
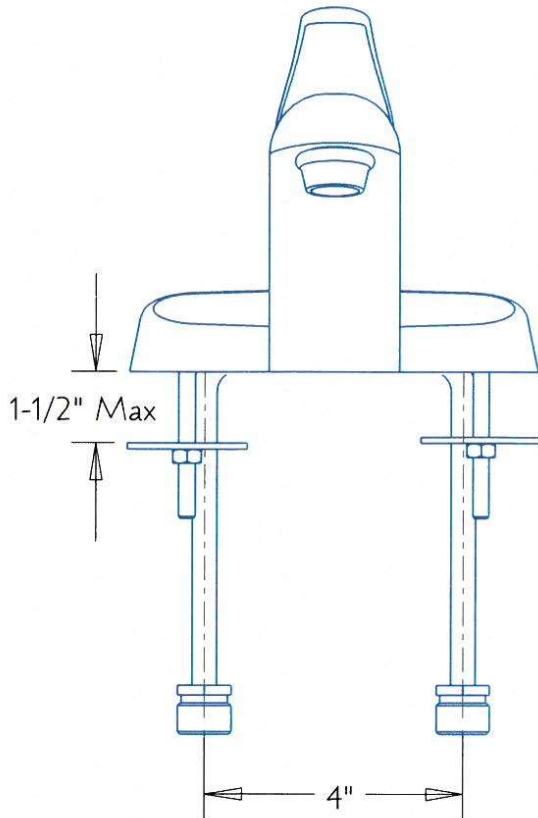
All dimensions are in inches (millimeters) unless otherwise specified and are subject to change without notice.

Architect/Engineer Approval Space:

P: 800-537-2107
F: 800-977-2747
W: WWW.SPEAKMAN.COM
R: 01-FEBRUARY 2018

W5110C

Sarana Single Handle Centerset Bathroom Faucet
w/ Pop-up



All dimensions are in inches (millimeters) unless otherwise specified and are subject to change without notice.

Architect/Engineer Approval Space:

P: 800-537-2107
F: 800-977-2747
W: WWW.SPEAKMAN.COM
R: 01-FEBRUARY 2018