

W4120C

Chandler Single Handle Centerset Bathroom Faucet
w/ Pop-up



MODELS:

- W4120C: Chrome

FAUCET CONSTRUCTION:

- 35mm ceramic disc cartridge with hot limit adjustment ring.
- Brass body with copper supplies.
- Chrome plated plastic throat plate.
- Zamac #3 chrome plated metal handle and deck plate.
- Brass supply connection adapters with 1/2" IPS threads.
- Brass pop-up assembly (on pop-up units).

OPERATION:

- Single control loop or lever handle.
- Requires less than 5 lb force to operate valve.
- Temperature adjustment 90° from full hot to full cold.
- 1.2 GPM (4.5 L/min) aerator.

STOCK FINISH:



PC

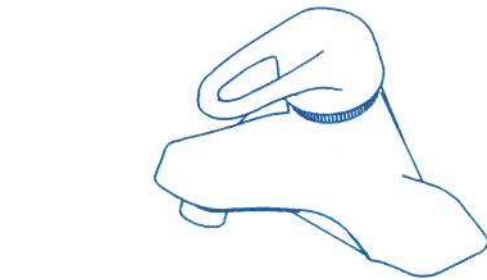
STANDARDS:

IAPMO/UPC CERTIFIED

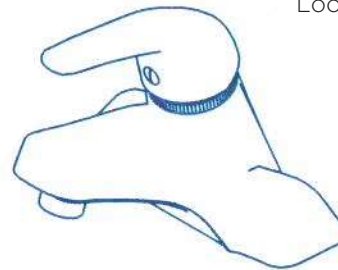
- ASME A112.18.1M AND NSF STANDARDS.
- NSF/ANSI 61-2012
- NSF/ANSI 372-2011 (LEAD FREE)
- WATERSENSE

MOUNTING SURFACE REQUIREMENTS:

- Surface thickness 1-1/2" maximum.
- Three 1-1/4" diameter holes 2" on center.



Loop Handle



Lever Handle



Information continues on next page

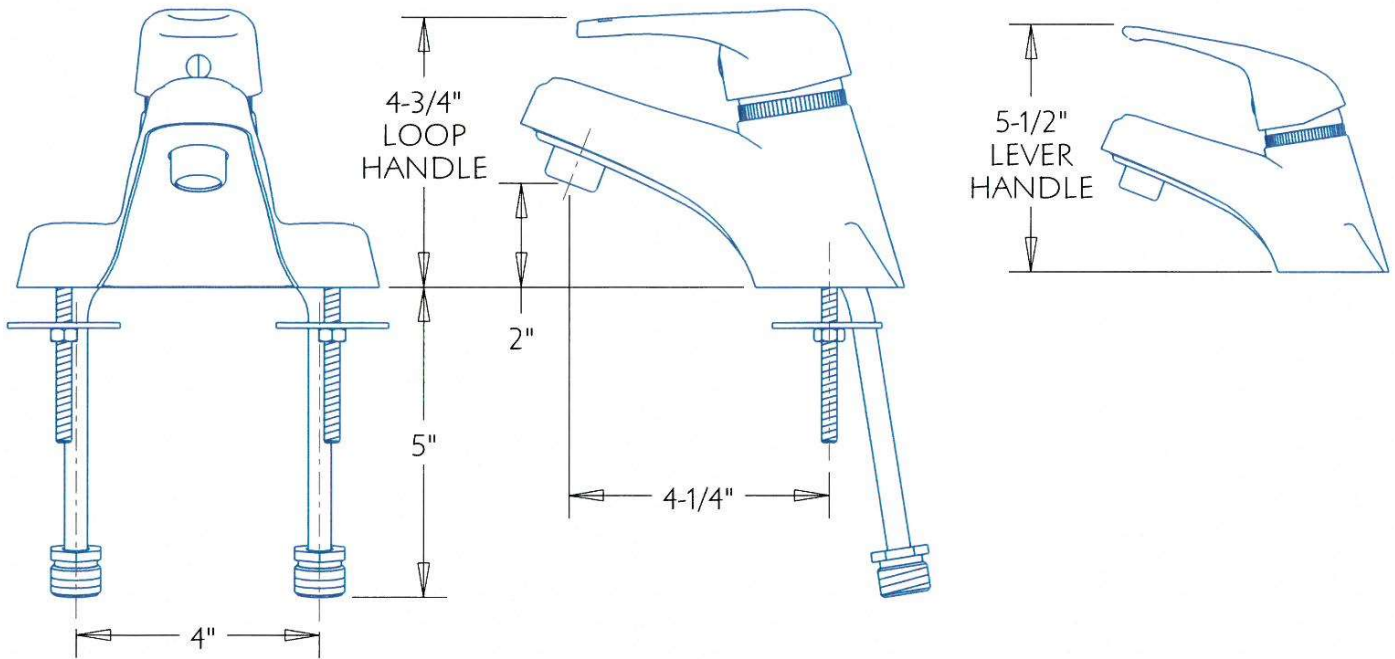
All dimensions are in inches (millimeters) unless otherwise specified and are subject to change without notice.

Architect/Engineer Approval Space:

P: 800-537-2107
F: 800-977-2747
W: WWW.SPEAKMAN.COM
R: 01-FEBRUARY 2018

W4120C

Chandler Single Handle Centerset Bathroom Faucet
w/ Pop-up



All dimensions are in inches (millimeters) unless otherwise specified and are subject to change without notice.

Architect/Engineer Approval Space:

P: 800-537-2107
F: 800-977-2747
W: WWW.SPEAKMAN.COM
R: 01-FEBRUARY 2018