

W2132C

Bristol Two Handle Widespread Bathroom Faucet with Pop-up Drain



MODELS:

- W2132C: Chrome
- W2132BN: Brush Nickel

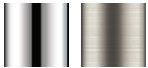
FAUCET CONSTRUCTION:

- Ceramic disc cartridges.
- Stainless steel braided flexible hose waterway connections.
- Cast brass chrome plated spout.
- Chrome plated metal handles.
- Brass supply connections with 1/2" IPS threads.

OPERATION:

- Twin lever handles.
- Handles require less than 5 lb force to operate valve.
- 90 ° Turn from full off to full on.
- 1.2 GPM (4.5 Umin) aerator.

STOCK FINISH:



PC BN

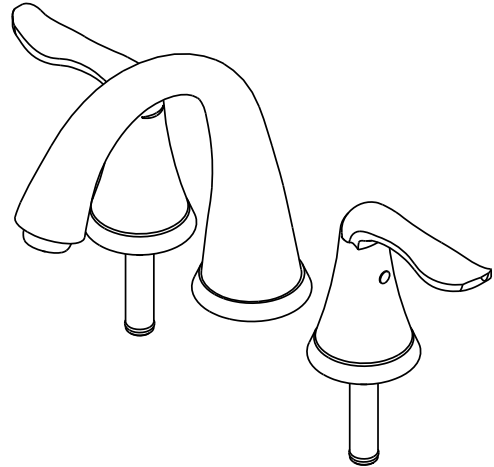
STANDARDS:

IAPMO/UPC CERTIFIED:

- ASME A112.18.1-2012/CSA B125.1-12
- NSF/ANSI 61-2012
- NSF/ANSI 372-2011 (LEAD FREE)

MOUNTING SURFACE REQUIREMENTS:

- Surface thickness 1" maximum.
- Three (1-1/4" min to 1-1/2" max dia.) holes.



Information continues on next page

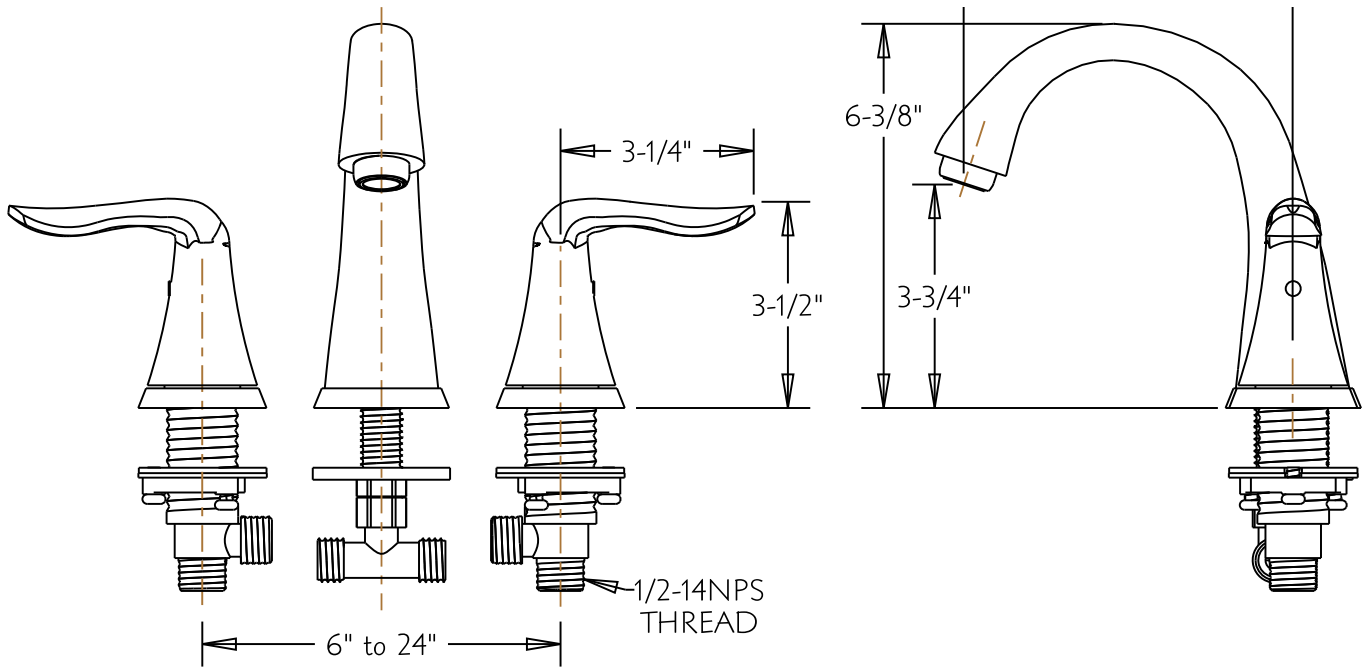
All dimensions are in inches (millimeters) unless otherwise specified and are subject to change without notice.

Architect/Engineer Approval Space:

P: 800-537-2107
F: 800-977-2747
W: WWW.SPEAKMAN.COM
R: 01-DECEMBER 2018

W2132C

Bristol Two Handle Widespread Bathroom Faucet
with Pop-up Drain



All dimensions are in inches (millimeters) unless otherwise specified and are subject to change without notice.

Architect/Engineer Approval Space:

P: 800-537-2107
F: 800-977-2747
W: WWW.SPEAKMAN.COM
R: 01-DECEMBER 2018