



VENTED ROOM HEATERS

Enjoy instant warmth plus lower heating cost with traditional enclosed glass-front “fireplace-look” heaters. These vented room heaters provide comfort for hard-to-heat areas and are designed to give you maximum efficiency, low fuel consumption and quiet operation.

FEATURES

- No electricity required
- “Matchless” pilot igniter
- Burners engineered for quiet operation and maximum heat efficiency
- Louvered-top design and front grille for improved heat circulation
- Factory-installed ceramic fiber logs *(fireplace-look models)*
- Natural or propane models *(conversion kits available)*
- Automatic temperature and safety controls
- Resettable vent-limit safety switch



35,000 - 65,000 BTU/hr.



20,000 BTU/hr.
ENCLOSED COMPACT MODEL
FOR SMALLER ROOMS



35,000 - 65,000 BTU/hr.



VENTED ROOM HEATERS

MODEL NO.		BLOWER OPTION	BTU/hr. INPUT	BTU/hr. OUTPUT	DIMENSIONS (INCHES)			THERMOSTAT TYPE SOLD SEPARATELY	VENT SIZE INCHES	SHIPPING WEIGHT LBS.
NATURAL	PROPANE				WIDTH	DEPTH	HEIGHT			
ENCLOSED FRONT										
2001622A	2001621A	NO BLOWER	20,000	15,500	23	12 3/8	21 9/16	MILLIVOT	3	45
3501522A	3501521A	NO BLOWER	35,000	25,000	25	16	28 7/8	MILLIVOT	4	74
3501922A	3501921A	INCLUDED	35,000	25,000	30	16	28 7/8	MILLIVOT	4	83
5001522A	5001521A	NO BLOWER	50,000	34,500	30	17	33 1/4	MILLIVOT	4	103
5001922A	5001921A	INCLUDED	50,000	34,500	30	17	33 1/4	MILLIVOT	4	112
6501522A	6501521A	NO BLOWER	65,000	47,000	34	20 1/2	33 7/8	MILLIVOT	5	128
6501922A	6501921A	INCLUDED	65,000	47,000	34	20 1/2	33 7/8	MILLIVOT	5	137

FEATURES	MODEL NO.		BLOWER OPTION	BTU/hr. INPUT	BTU/hr. OUTPUT	DIMENSIONS (INCHES)			THERMOSTAT TYPE SOLD SEPARATELY	VENT SIZE INCHES	SHIPPING WEIGHT LBS.
	NATURAL	PROPANE				WIDTH	DEPTH	HEIGHT			
OPERATES W/O ELECTRICITY	3502522A	3502521A	NO BLOWER	35,000	25,000	25	16	28 7/8	CABINET OR WALL	4	81
	3502922A	3502921A	INCLUDED	35,000	25,000	25	16	28 7/8	CABINET OR WALL	4	90
RESETTABLE VENT SWITCH	5002522A	5002521A	NO BLOWER	50,000	34,500	30	17	33 1/4	CABINET OR WALL	4	108
	5002922A	5002921A	INCLUDED	50,000	34,500	30	17	33 1/4	CABINET OR WALL	4	117
CONVERTIBLE GAS VALVES	6502522A	6502521A	NO BLOWER	65,000	47,000	34	20 1/2	33 7/8	CABINET OR WALL	5	135
	6502922A	6502921A	INCLUDED	65,000	47,000	34	20 1/2	33 7/8	CABINET OR WALL	5	144

Elevation rating from sea level to 2,000'

Consult Owner's Manual for installation of product at elevations over 2000'

1/2" Gas Connection

FEATURES

"MATCHLESS" PILOT IGNITER

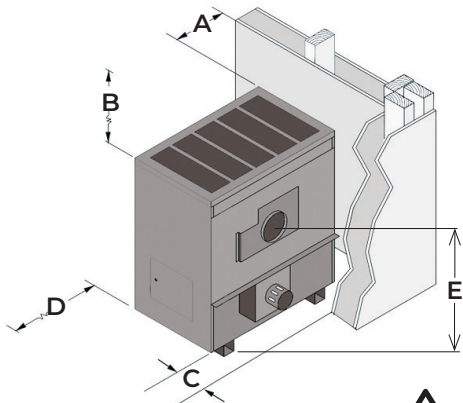
All models include a "matchless" pilot igniter that assures convenient pilot lighting without matches.

CONTEMPORARY FINISH

Black, powder-coat, heat-resistant finish to compliment any decor.

INTERIOR FURNACE CLEARANCES

MODEL SERIES	A	B	C	D	E
200 SERIES	2	36	3	24	17
350 SERIES	6	57	6	24	21 1/4
500 SERIES	6	57	6	24	23
650 SERIES	6	57	6	24	25 1/2



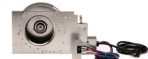
WARNING: This product can expose you to chemicals including epichlorohydrin which is known to the State of California to cause cancer and birth defects and/or other reproductive harm. For more information go to www.p65warnings.ca.gov

ACCESSORIES

THERMOSTAT SOLD SEPARATELY part number P322016

BLOWER

MODEL 2102 quiet, heavy-duty blower is available for larger rooms where faster heat circulation is desired. 150 CFM, 120V. Shipping weight 9 lbs.



FLOORBOARDS

Contemporary black color to match the heater with scratch-resistant powder-coat finish. Model 4163 for 50,000 and 65,000 BTU/hr. models. (Oversized) shipping weight 16 lbs. Model 4167 for 20,000 and 35,000 BTU/hr. models. (Oversized) shipping weight 10 lbs.

CONVERSION KITS

MODEL SERIES	NATURAL TO PROPANE	PROPANE TO NATURAL
200 SERIES	8945	8949
350 SERIES	8946	8950
500 SERIES	8947	8951
650 SERIES	8948	8952



IMPORTANT

ANY WARRANTY CONSIDERATIONS ARE CONTINGENT ON INSTALLATION BY A QUALIFIED INSTALLER (CONTRACTOR). SELF-INSTALLATION IS PROHIBITED AND WILL INVALIDATE YOUR WARRANTY.

- Read owner's manual before using/installing.
- Photographs are representative only.
- Check local codes and ordinances for permitted uses.
- Consult installation manual for clearances prior to installation.
- We reserve the right to amend product specifications without notice.
- Installation and servicing recommended by a qualified service person.
- Please read the warranty for any limitations of disclaimers. Combustion chamber carries a 10-year limited warranty. All other parts carry a one-year limited warranty.
- Venting must comply with the "Venting and Chimney Requirements" section of the instruction manual.
- Massachusetts Approval GI-0816-23.