

# WHITEHAUS

COLLECTION

## INSTALLATION INSTRUCTIONS

### UNDERMOUNT KITCHEN SINKS

#### MODELS

WHUF1818

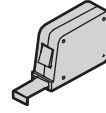
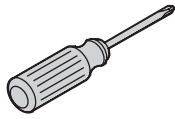
WHUF2418

WHUF2819

WHUF3119

WHUF3419

## Tools and Materials



Silicone Sealant



Rags

Plus  
• Fasteners



**WARNING:** Risk of personal injury.

Edges are sharp. Wear gloves when handling the sink.

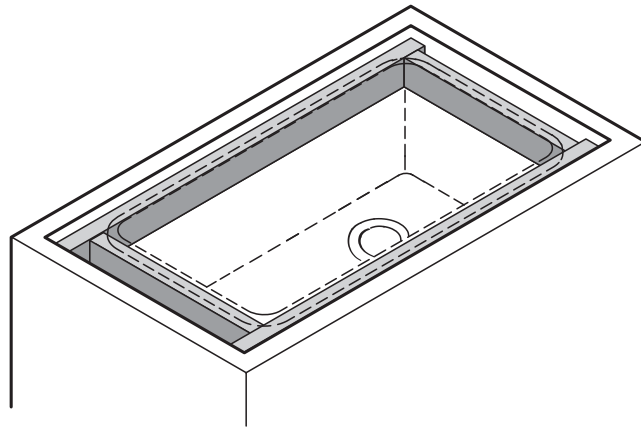


**CAUTION:** Risk of personal injury.

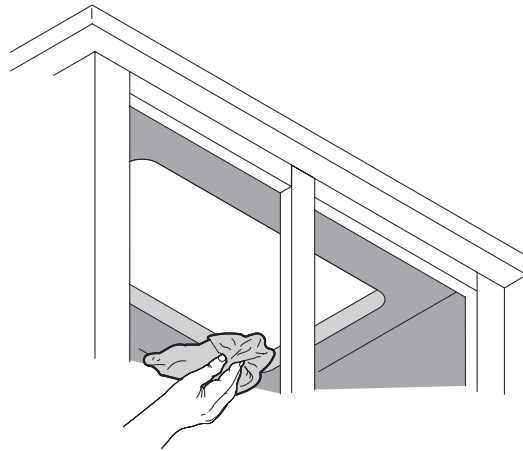
Fireclay sinks are very heavy. Get assistance lifting the sink.

Provide your countertop supplier with your sink and faucet model number when ordering your countertop.

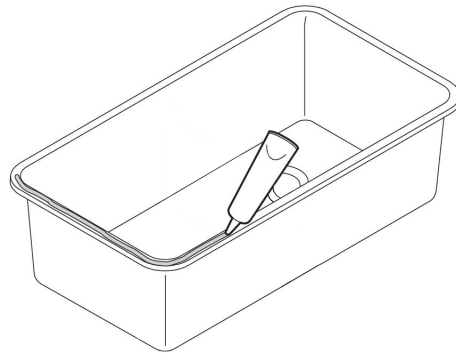
Construct a wooden frame to support the sink. Measure your sink to determine the dimensions.



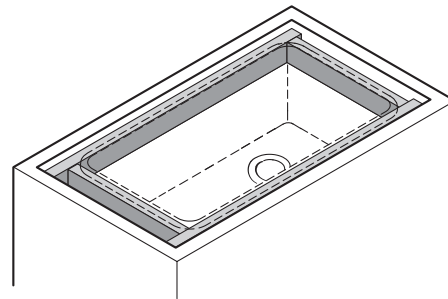
Clean the top and underside of the counter and the rim of the sink.



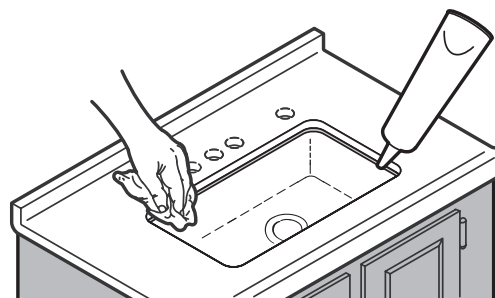
Apply sealant near the inside edge.



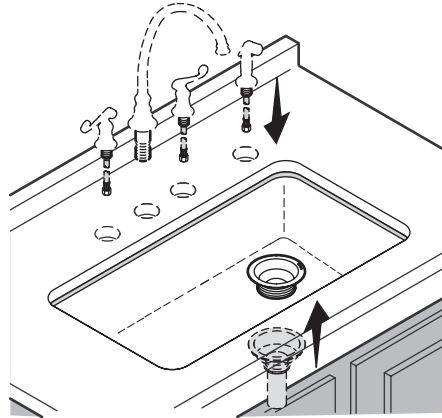
Set the sink into place.  
Level the sink with the top of the cabinet.



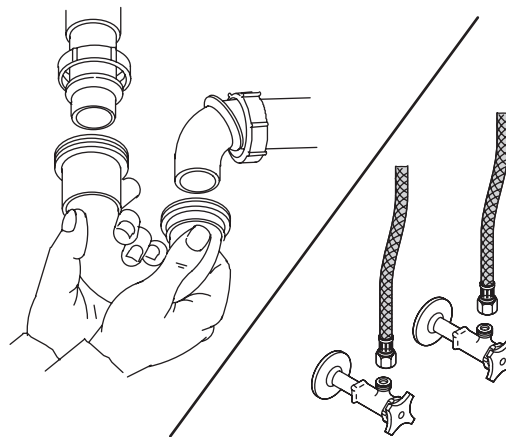
Apply silicone sealant, wipe away any excess. Fill voids and allow to dry.



Install the faucet and the strainers.



Complete the faucet and drain connections. Run water and check for leaks.



## WHITEHAUS COLLECTION

For general questions or information:

General inquiries:

[info@whitehauscollection.com](mailto:info@whitehauscollection.com)

Phone: 800-527-6690