



## Troubleshooting:

Malfunctions	Reasons	Solution
• No Incoming Water	1. The main water valve does not open 2. Incoming water filter net is clogged 3. Floating ball of water inlet valve in cistern does not work	1. Turn on the valve 2. Clean the net 3. Readjust the floating ball
• Non-Stop Incoming Water	1. Higher water pressure 2. Floating ball of water inlet valve does not work 3. Water inlet valve is broken 4. Floating ball of water inlet valve touches the inwall of cistern	1. Reduce water pressure 2. Readjust the floating ball 3. Call your dealer to replace inlet valve 4. Adjust the direction of floating ball
• Inadequate Flushing Water	1. The water level of inlet valve is too low 2. The push button does not reach pushing point 3. Press the wrong button	1. Adjust the water inlet valve to appropriate position 2. Adjust water level rod 3. Identify small and large flushing button, or call your dealer
• Slow Drainage or Inadequate Suction	1. The drainage outlet is not aligned with the outside drainage pipe 2. Drainage pipes are obstructed 3. Inadequate flushing water	1. Readjust or reinstall the product 2. Clean the drainage pipes 3. Adjust the water in cistern
• Leakage	1. The hexangular nuts of water inlet valve are not fastened 2. The water supply spacer of inlet valve is damaged 3. The water supply spacer on the bottom of cistern is damaged	1. Fasten the nuts 2. Change the water supply spacers
• Overflow From Drainage Pipe	1. Drainage pipes are obstructed 2. Water outlet pipes are obstructed	1. Clean the drainage pipes 2. Clean the water outlet pipes

## Note:

1. Do not throw newspaper, diapers, sanitary napkins, or similar articles in the toilet bowl.
2. Do not impact the ceramic part heavily in case of any damage.
3. To maintain the normal flushing function of the toilet, please use a long handle nylon brush and a neutral cleanser to clean up the bowl or pipes to prevent the accumulation of mineral substances. It is suggested to clean your toilet once a week.
4. Clean the filter at least once a month to prevent slow water inletting or water blockage in the tank.
5. Do not use any cleanser in the tank, otherwise the rubber accessories in the tank may be damaged, causing leakage

Please follow what is specified below to avoid discoloration, deformation, fine cracks, or scratches on the toilet seat:

1. Do not expose the toilet seat to sunlight or sources of heat
2. Do not use sharp or abrasive materials to clean the toilet seat
3. Do not use corrosive chemicals to clean the toilet seat

## Magic Flush® Product Installation Manual

WHMFL3309-EB • WHMFL3222-EB • WHMFL3351-EB

## Before Installing:

1. Read the instructions carefully to be familiar with the tools, fittings and installation procedures to prevent any unnecessary damage.
2. Inspect product prior to installation
3. Check whether the rough-in on the installation position is aligned with that of the toilet. Check all the specifications of the pipelines for the water supply.
4. Handle product with care and ensure that the nut is not overtightened.
5. When installing the toilet, make sure the floor is even.
6. If you want to replace the toilet, turn off the water supply and flush the toilet to make sure no water remains inside the toilet. Remove the soft pipe for water supply, and unfasten the screws. Remove the toilet and the old gasket and clean the end of the drainage outlet.  
Note: Plug the drainage outlet on the floor if you do not install the toilet immediately.
7. Make sure the water supply is turned off.

- NOTE:**
1. We reserve the right to change the features, packing and fittings of the product without notice.
  2. Please keep the installation instructions accessible (including installation procedure, fitting form, troubleshooting, and notice).
  3. Closet flange is not included.

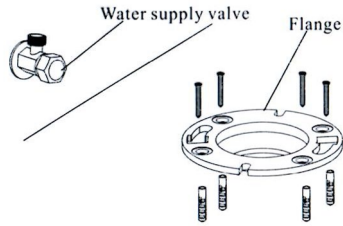
## Common Tools Needed:

- Adjustable Wrench
- Pipe Wrench
- Tape Measure
- Drill
- Silicone
- 11/64 Drill Bit for Wood Floor Installation
- 5/16 Drill Bit for Concrete/ Tile Installation

## Installation Procedure:

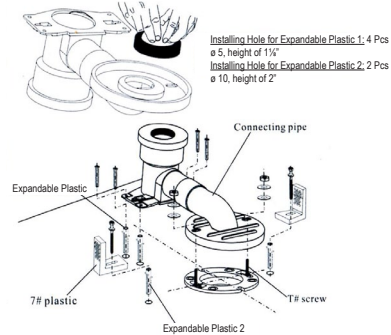
### 1. Install Flange and Water Supply Valve

1. Install the water supply valve onto the installation position according to the dimensions of the product.
2. Align the flange with the drainage outlet
3. Mark the installation positions for screws and drill holes
4. Fix the flange onto the floor



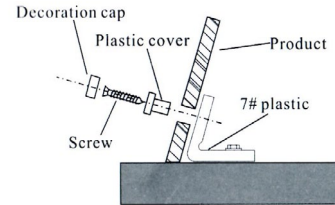
### 3. Install T# Screw, Mounting Screw and Connect Pipe

1. Drill holes onto installation position and insert expandable plastics
2. Make the bottom of connecting pipe face upward, then cover the flange onto the water outlet tightly. Make sure the pipe is not plugged.
3. Get two T# screws through the installation holes of the connecting pipe. Adjust the screws to get the four holes on the back side of the connecting pipe aligned with the expandable plastics on the floor. Fix the connecting pipe and 7# plastic onto the floor as illustrated



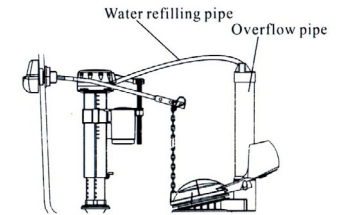
### 4. (con't) Install Toilet

3. Place the toilet on the floor with screws and plastic covers, then cover the decoration caps



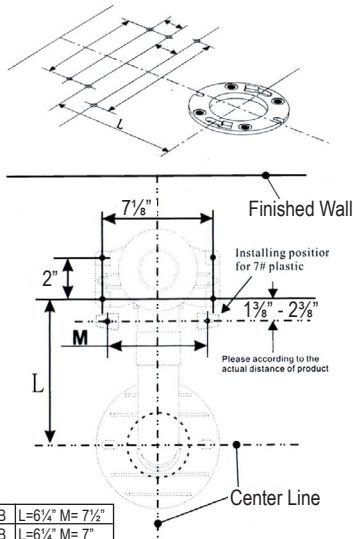
### 6. Check Water Refill Pipe

1. Open the cistern cover and make sure the overflow pipe is inserted into the water refilling pipe  
**Note:** If the water refilling pipe does not insert into the overflow pipe, the flushing water will be inadequate



### 2. Mark Installation Holes

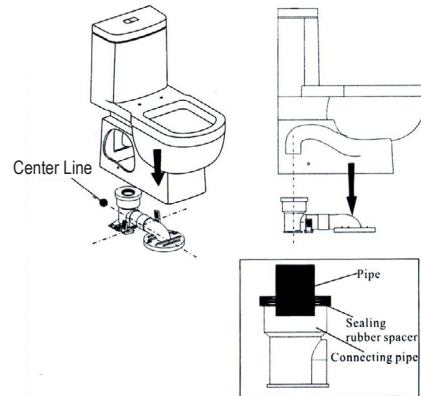
1. Mark the center line for the drainage outlet
2. Mark the installation position for the mounting screws and connecting pipe as illustrated below (drawing for distance between installation holes)



3309-EB	L=6 1/4"	M= 7 1/2"
3222-EB	L=6 1/4"	M= 7"
3351-EB	L= 5 1/4"	M= 8 1/4"

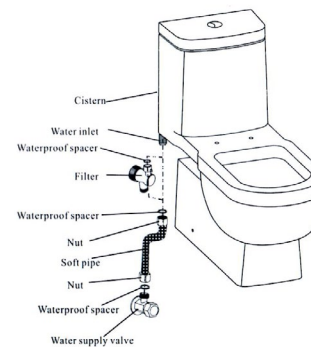
### 4. Install Toilet

1. Pick up the toilet and make sure the two pieces of mounting screws are fully through the installing holes of the toilet
2. Align the center of the toilet with the center line on the floor and then gently place toilet down  
**Note:** Make sure pipe has gone through the four layers of sealing rubber spacer of the connecting pipe after installing the toilet. If it is not fully through, it will have a bad effect for flushing function



### 5. Connect Water Supply and Check Sealing Performance

1. Get the water supply valve and the water inlet with supply connecting pipe (if the fitting is separated from the filter, connect the filter first)
2. Turn on the water supply valve and make sure there is no leakage on any joint. Fastening the nuts can prevent leakage.



### 7. Install Toilet Seat

1. Install the toilet seat according to the installation instruction then coat with a layer of silicone between the toilet and floor  
**Note:** Do not use the product immediately after completion of installation. Make sure there is no water around the product for 24 hours.

