



50D50-843

Universal Proven Pilot Spark Control

INSTALLATION INSTRUCTIONS

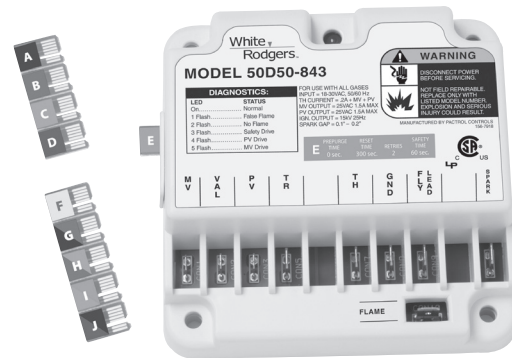
FAILURE TO READ AND FOLLOW ALL INSTRUCTIONS CAREFULLY BEFORE INSTALLING OR OPERATING THIS CONTROL COULD CAUSE PERSONAL INJURY AND/OR PROPERTY DAMAGE.

DESCRIPTION

The 50D50-843 is a universal replacement Spark control designed for maximum compatibility with existing systems.

It features:

- A card port and ten program keys to select the Safety Time, Retries, Prepurge and Recycle timings.
- A Jumper to accommodate systems using Direct Sense (sensing through ignitor) or Indirect Sense (using a Flame Sensor)
- LED indicator for quick system and module diagnostics and troubleshooting.



PRECAUTIONS

⚠ GENERAL PRECAUTION

Application of this type of control may cause flame rollout on initial startup and could cause personal injury and/or property damage.

Check product specification and cross reference before replacing existing module. Do not use if existing module is not listed. Use of a program key other than listed can result in appliance malfunction.

If in doubt about whether your wiring is millivolt, line, or low voltage, have it inspected by a qualified heating and air conditioning contractor or licensed electrician.

Do not exceed the specification ratings.

All wiring must conform to local and national electrical codes and ordinances.

This control is a precision instrument, and should be handled carefully. Rough handling or distorting components could cause the control to malfunction.

CONTENTS

Description	1
Precautions	1
Specifications	2
Installation	2
Mounting & Wiring.....	3
Operation & Troubleshooting	6

⚠ CAUTION

To prevent electrical shock and/or equipment damage, disconnect electric power to system at main fuse or circuit breaker box until installation is complete.

Label all wires prior to disconnection when servicing controls. Wiring errors can cause improper and dangerous operation.

This control is not intended for use in locations where it may come in contact with water. Suitable protection must be provided to shield the control from exposure to water (dripping, spraying, rain, etc.).

⚠ WARNING

Do not use on circuits exceeding specified voltage. Higher voltage will damage control and could cause shock or fire hazard.

Do not short out terminals on gas valve or primary control to test. Short or incorrect wiring will damage thermostat and could cause personal injury and/or property damage.

SPECIFICATIONS

ELECTRICAL RATINGS:

Input Voltage: 18 to 30 VAC, 60 Hz

Current: 0.2 amp + MV + PV @ 25°C

Relay Contact Ratings:

Pilot Valve Relay: 1.5 amp @ 25 VAC 60 Hz

Main Valve Relay: 1.5 amp @ 25 VAC 60 Hz

Spark Output:

Gap: 0.1" - 0.2", 15kV 25Hz

Max cable length 3ft (0.9m)

Flame Current Requirements:

Minimum current to insure flame detection: 2 µA DC*

Maximum current for non-detection: 0.2 µA DC

Maximum allowable leakage resistance: 100 M ohms

* Measured with a DC microammeter in series with the flame probe lead

OPERATING TEMPERATURE RANGE:

-40° to 175°F (-40° to 80°C)

HUMIDITY RANGE:

To 95% relative humidity (non-condensing)

MOUNTING:

Surface mount or 4" x 4" junction box

GASES APPROVED: Natural, Manufactured, Mixed, Liquid Petroleum, and LP Gas Air Mixtures.

Program Key Timing Specifications Quick Reference

Timing and Retry				
PROGRAM KEY (COLOR)	PRE-PURGE TIME	RESET TIME	RETRIES	SAFETY TIME
A (blue)	0 Sec.	300 Sec.	Continuous	90 Sec.
B (red)	30 Sec.	300 Sec.	Continuous	90 Sec.
C (green)	0 Sec.	300 Sec.	Continuous	30 Sec.
D (violet)	30 Sec.	300 Sec.	Continuous	30 Sec.
E (orange)	0 Sec.	300 Sec.	2	60 Sec.
F (yellow)	30 Sec.	300 Sec.	2	60 Sec.
G (blue/red)	0 Sec.	300 Sec.	Continuous	15 Sec.
H (red/green)	30 Sec.	N/A	N/A	Continuous
I (green/orange)	0 Sec.	300 Sec.	Continuous	4 Sec.
J (violet/blue)	30 Sec.	300 Sec.	Continuous	4 Sec.

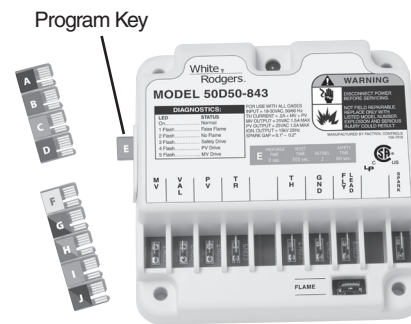


Fig. 1 – Program Key installation

INSTALLATION

MOUNTING AND WIRING

⚠ WARNING

Do not use on circuits exceeding specified voltage. Higher voltage will damage control and could cause shock or fire hazard.

⚠ CAUTION

To prevent electrical shock and/or equipment damage, disconnect electric power to system at main fuse or circuit breaker box until installation is complete. Failure to earth ground the appliance or reversing the neutral and hot wire connection to the line can cause shock hazard.

Shut off main gas to heating system until installation is complete.

Route and secure all wiring as far from flame as practical to prevent fire and/or equipment damage.

NOTE

Replace control as unit – no user serviceable parts.

All wiring should be installed according to local and national electrical codes and ordinances.

The control may be mounted in any orientation on a convenient surface using two #6 x 5/8" sheet metal screws. If desired, control can be mounted on a 4" x 4" junction box using two #8-32 x 5/8" machine screws. The control must be secured to an area that will experience a minimum of vibration and remain below the maximum ambient temperature rating of 175°F. The control is approved for minimum ambient temperatures of -40°.

Refer to the wiring diagrams and wiring table when connecting the control to other components of the system.

UL approved 105°C rated 18 gauge minimum wire is recommended for all low voltage connections. UL approved 105°C rated 16 gauge minimum wire is recommended for all line voltage connections.

After installation or replacement, follow appliance manufacturer's recommended installation/service instructions to insure proper operation.

INSTALLATION

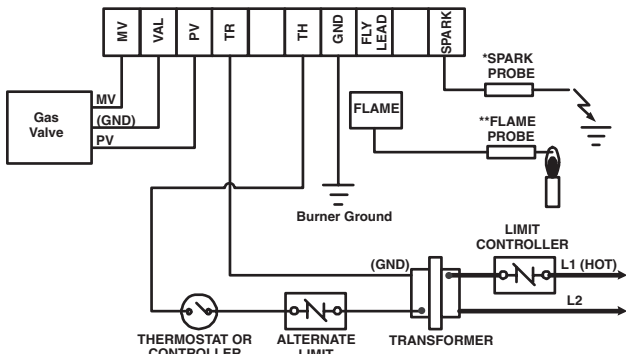


Fig. 2 – Typical hookup for White-Rodgers replacement with separate flame-sense and spark probes

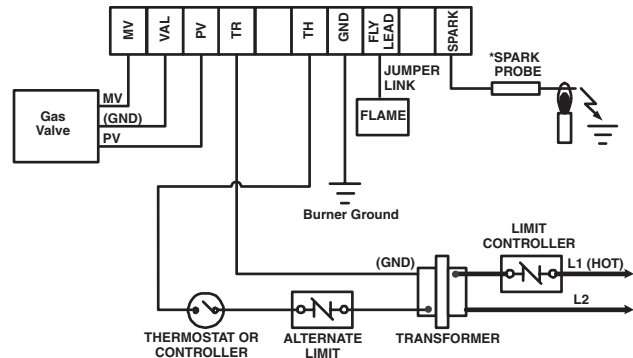


Fig. 3 – Typical hookup for White-Rodgers replacement with direct flame sense through single spark/sense probe

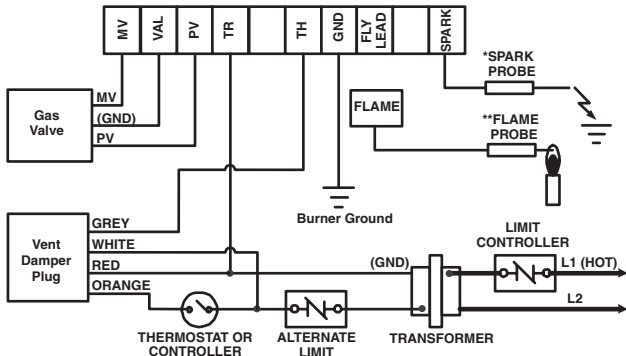


Fig. 4 – Typical hookup for White-Rodgers replacement with vent damper and separate flame-sense and spark probes

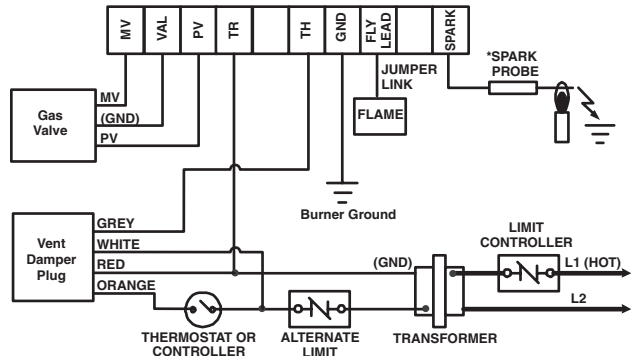


Fig. 5 – Typical hookup for White-Rodgers replacement with vent damper and direct flame sense through single spark/sense probe

* Max length of spark cable should be less than 3ft (0.9m) and rated at 15kV. The cable must not run in continuous contact with any metal surface or spark voltage is greatly reduced. Use ceramic or plastic standoff insulators as required. Ensure burner is grounded directly to module for spark return path.

** If flame sense lead connector is too small for the new module, cut it off and replace with enclosed 1/4" female connector

INSTALL PROGRAM KEY

The control replaces all listed models with the following features:

- proven pilot spark ignition
- three or more ignition tries
- pre-purge of 30 seconds or less
- remote rod flame sense or direct flame sense through ignitor
- four to ninety second safety time

Ten program keys are provided for different applications. Timings and Retries for each program key are shown in the Specifications section on page 2 of this installation manual. Choose the proper program key for the application. Install the selected program key in the slot on the left side of the module (see figure 1) and fit the timing label on the cover.

If the module you are replacing is not listed in the table contact the manufacturer of the appliance for a recommended replacement or retrofit.

After inserting the proper program key, dispose of the remaining keys to ensure the correct key remains in the module.

If control fails to operate see troubleshooting guide for remedy.

OPERATION

TYPICAL FURNACE INSTALLATION

In a typical application the 50D50-843 is designed to generate sparks and energize the gas valves and monitor the flame sensor. It is a 100% shut off design that locks out the gas valve if the burner does not light within the safety time. The ignition sequence begins with a call for heat from the room thermostat. The thermostat applies power to the control. After pre-purge interval, the pilot valve is energized and sparks are generated for the selected safety time. If the burner lights within the allowed period the pilot gas valve will remain open and the main valve will be energized until the call for heat is satisfied. If the burner does not light, the control will either continuously retry after the reset time or make two more ignition retries depending on the options selected. The control can be reset from lockout by cycling the thermostat to remove power for a minimum of 10 seconds. It includes a system analysis/troubleshooting LED that indicates normal operation, lockout, or control fault.

TROUBLESHOOTING

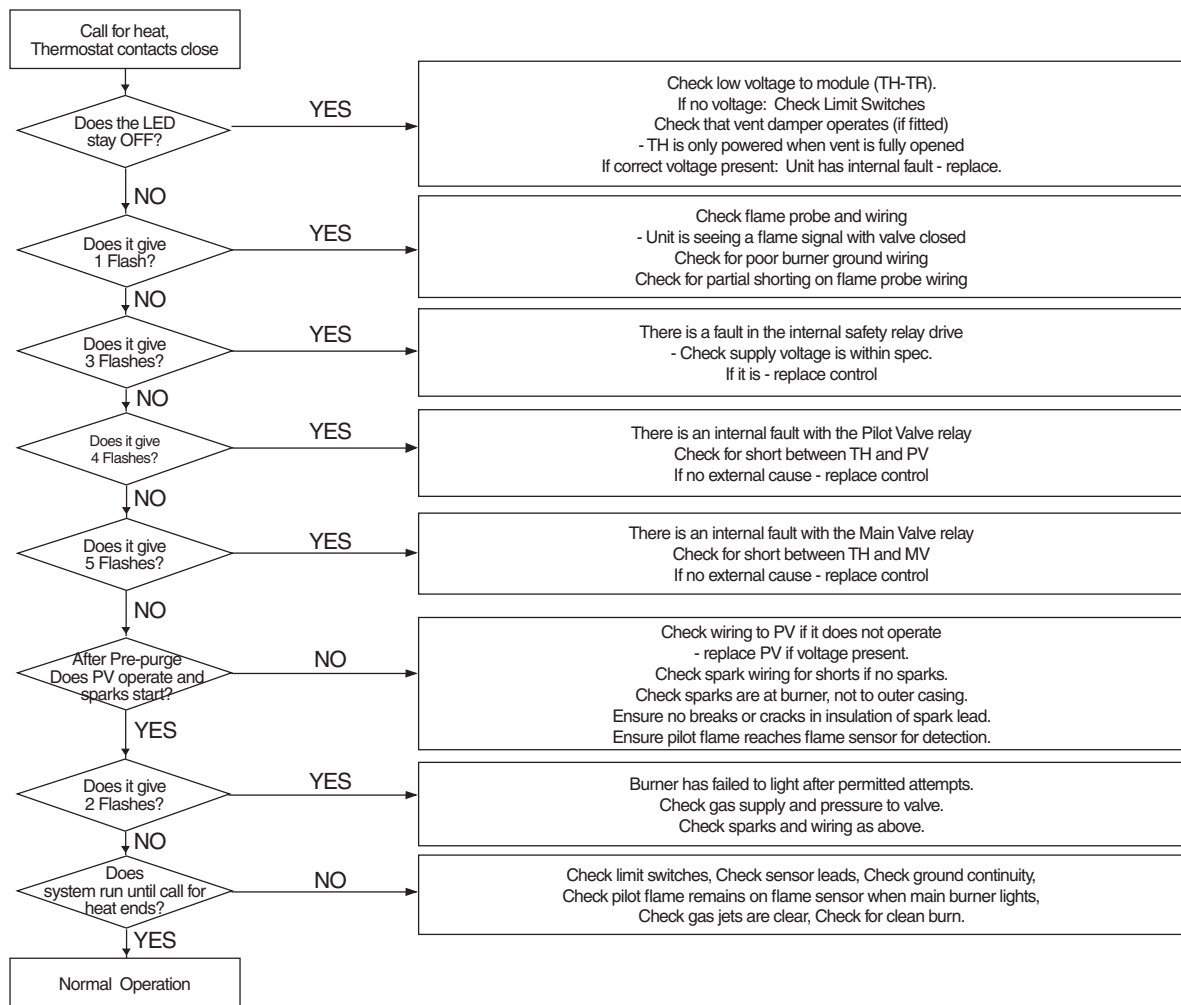
For proper control operation, the control must be electrically connected to the gas valve and all the ignition wiring connectors plugged in. Gas valves with an electric "ON/OFF" switch must have the switch set to "ON". The light on the control provides a self-diagnosis indication. If the red light on the module is off continuously, the fault is likely to be internal to the module. To make sure, interrupt the line or 24 volt thermostat power for 10 seconds, check program key installation and then restore. If the internal fault is indicated again, and flame sensor is not shorted to ground, replace the control. A flashing light indicates the problem is most likely in the external components or wiring (see chart below). Proceed as follows:

Visual checks

- 1) After the purge delay (if applicable) the pilot valve opens and the ignition (sparks) starts
- 2) The pilot burner flame will light
- 3) The ignition (sparks) stops and the main valve opens
- 4) The main burner flame will ignite

Troubleshooting the system consists of checking for these visual indications. The chart on the next page defines the proper action if any of these indications does not occur.

LED	Condition
Solid On	Normal - Control ON
One Flash	False flame signal
Two Flashes	No Flame Detected
Three Flashes	Safety Drive Fault
Four Flashes	PV Drive Fault
Five Flashes	MV Drive Fault
OFF	No Power / Internal Fault



White-Rodgers is a division of Emerson Electric Co.

The Emerson logo is a trademark and service mark of Emerson Electric Co.

White
Rodgers

www.white-rodgers.com
www.emersonclimate.com


EMERSON
Climate Technologies