

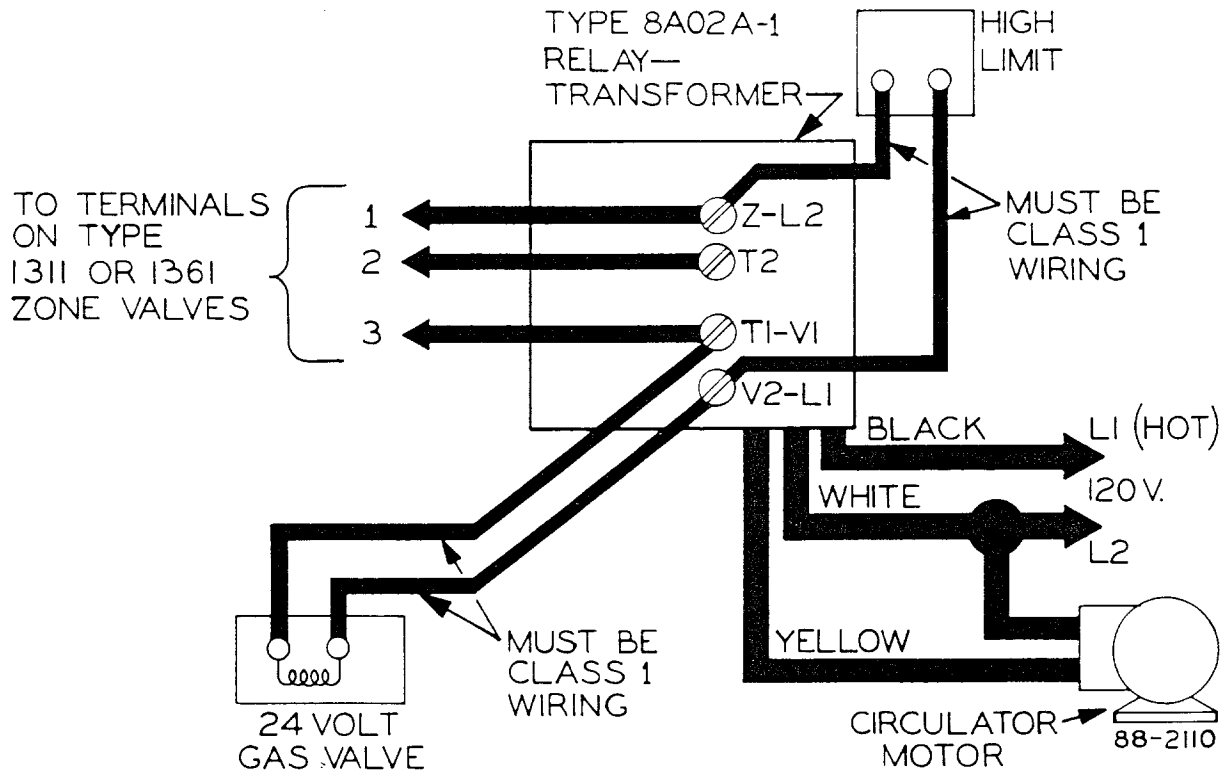
WHITE-RODGERS AUTOMATIC CONTROLS

— INSTRUCTIONS —

Supplementary Diagrams for
using Type 1311 or 1361 Zone Valves
with Type 8A02A-1 and 8A03A-2
Relay-Transformers

Fig. 1

Alternate Connections for Using Type 1311 and 1361 Zone Valves
with Type 8A02A-1.



See back of sheet for Type 8A03A-2 Diagrams.



WHITE-RODGERS DIVISION
EMERSON ELECTRIC CO.
9797 REAVIS ROAD
ST. LOUIS, MISSOURI 63123

Printed in U.S.A.

PART No. 37-2304B
Replaces 37-2304
9147

WIRING (Cont'd.)

Fig. 2

Diagram for Type 1311 Zone Valves with 24v Gas Valve and Type 8A03A-2 Relay. (NOTE: Wiring is same for 1361 valves except for wiring to thermostats.)

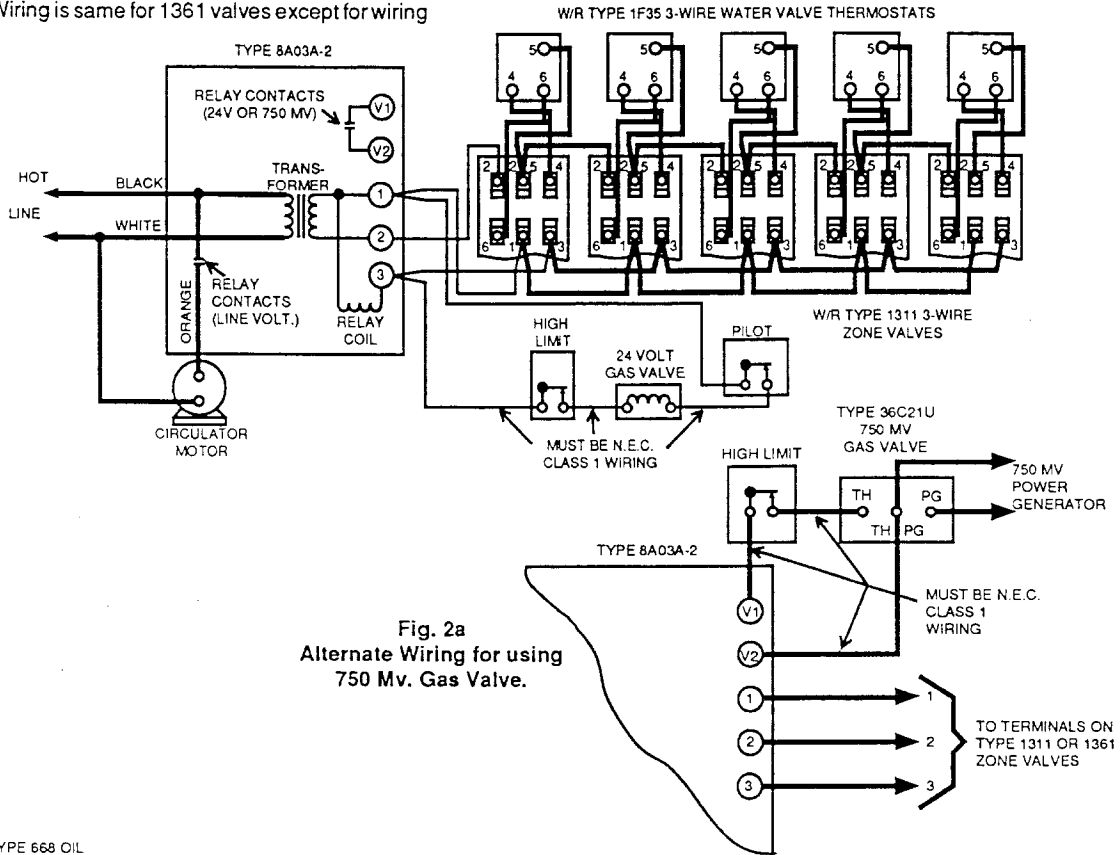


Fig. 2a
Alternate Wiring for using
750 Mv. Gas Valve.

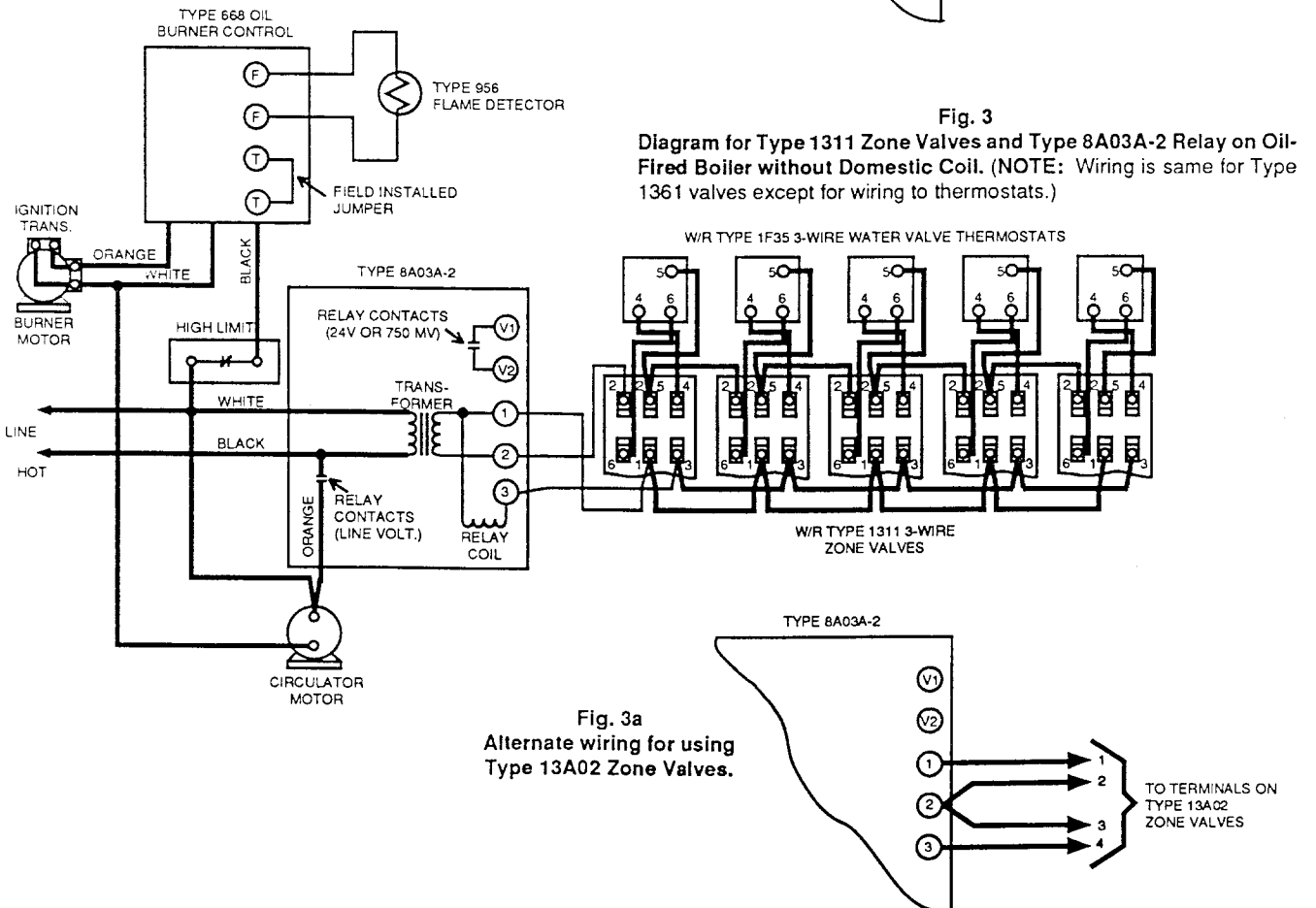


Fig. 3

Diagram for Type 1311 Zone Valves and Type 8A03A-2 Relay on Oil-Fired Boiler without Domestic Coil. (NOTE: Wiring is same for Type 1361 valves except for wiring to thermostats.)

Fig. 3a
Alternate wiring for using
Type 13A02 Zone Valves.