

Freestanding Gas Range Control Guide

FEATURE GUIDE

WARNING: To reduce the risk of fire, electric shock, or injury to persons, read the IMPORTANT SAFETY INSTRUCTIONS, located in your appliance's Owner's Manual, before operating this appliance.

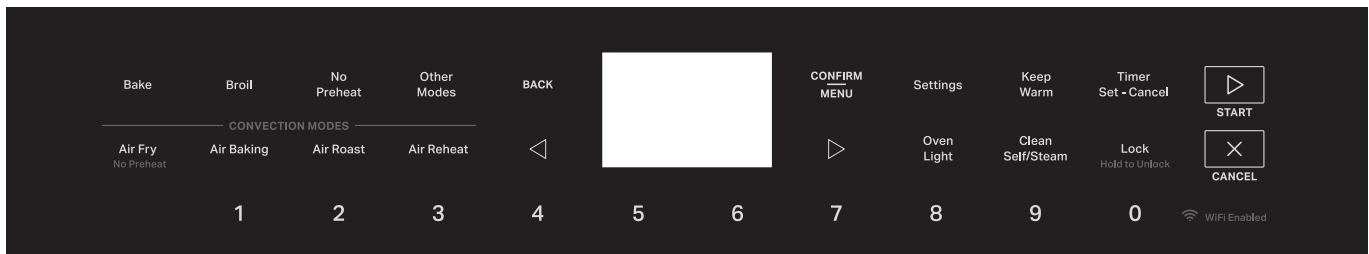
These instructions cover several models. Your model may have some or all of the items listed. Refer to this manual for more detailed instructions or the Frequently Asked Questions (FAQs) section of our website at www.whirlpool.com/owners for more detailed instructions. In Canada, refer to the Customer Service section at www.whirlpool.ca/owners.

⚠ WARNING

Food Poisoning Hazard

Do not let food sit for more than one hour before or after cooking.

Doing so can result in food poisoning or sickness.



KEYPAD	FEATURE	INSTRUCTIONS
START	Cooking start	The START keypad begins any oven function.
CANCEL	Range function	The CANCEL keypad stops any function for the oven except the Clock and Timer.
CONFIRM/MENU	Confirm or additional menu	The CONFIRM/MENU confirms the option selection and also provides an additional menu within a specific function.
BACK	Back to previous screen	The BACK keypad helps navigate back to the previous menu screen.
Settings	Settings	Settings enable you to personalize the audible tones and oven operation to suit your needs. See the "Electronic Oven Controls" section.
Bake	Baking and roasting	<ol style="list-style-type: none"> 1. Press Bake. 2. Press the number or <> keypads to set the desired temperature. If the temperature entered is not in the range of the temperatures allowed, the minimum or maximum allowed temperature will be displayed. Enter a temperature in the allowable range. 3. Press START. 4. To change the temperature or cook time, press CONFIRM/MENU. Use <> keypad and CONFIRM/MENU to select and adjust temperature or cook time. 5. Press CANCEL when finished.
Broil	Broiling	<ol style="list-style-type: none"> 1. Press Broil. 2. Select the broiling temperature (Low, Medium, High) by using <> keypad. 3. Press START. 4. To change the temperature or cook time, press CONFIRM/MENU. Use <> keypad and CONFIRM/MENU to select and adjust temperature or cook time. 5. Press CANCEL when finished.

KEYPAD	FEATURE	INSTRUCTIONS
No Preheat	Prepackaged food	<ol style="list-style-type: none"> 1. Press No Preheat for cooking pizza, select Frozen Pizza; For frozen lasagna, select Frozen Lasagna using <> keypad. 2. Position the food on a flat rack in the oven on rack position 3. See the “Positioning Racks and Bakeware” section. NOTE: Cook only 1 package of frozen food. 3. Press CONFIRM/MENU. Use <> keypad and CONFIRM/MENU to select and adjust temperature as recommended on the food packaging. 4. Press the START keypad. The range will calculate the best cook time based on the current oven temperature. 5. To change the temperature or cook time, press CONFIRM/MENU. Use <> keypad and CONFIRM/MENU to select and adjust temperature or cook time. 6. Press the CANCEL keypad when finished.
Other Modes	Browse other cooking modes	Use OTHER MODES to browse more cooking modes.
Air Fry	Air frying	<ol style="list-style-type: none"> 1. Place food directly into the oven cavity. Refer to Positioning Racks and Bakeware section for more details. 2. Press Air Fry. Then press CONFIRM/MENU. 3. Enter desired temperature using the number or <> keypad. A tone will sound if the temperature entered is too low or too high. 4. Press the START keypad. There is no preheat or preheat tone. 5. To change the temperature, repeat Step 2. Press the START. 6. Press CANCEL when finished. <p>NOTE: The fan and elements will shut off when the oven door is opened until the oven door is closed. All timers, including any active Cook Time or Timed Cook functions, will continue to count down.</p>
Air Baking	Air baking	<ol style="list-style-type: none"> 1. Press Air Bake. 2. Press the number or <> keypads to set the desired temperature. Press the START keypad. Preheating will begin. 3. Insert food when prompted. 4. To change the temperature or cook time, press CONFIRM/MENU. Use <> keypad and CONFIRM/MENU to select and adjust temperature or cook time. 5. Press CANCEL when finished.
Air Roast	Air roasting	<ol style="list-style-type: none"> 1. Press Air Roast. 2. Use <> and number keypad to select desired temperature. 3. Press the START keypad. 4. To change the temperature or cook time, press CONFIRM/MENU. Use <> keypad and CONFIRM/MENU to select and adjust temperature or cook time. 5. Press CANCEL when finished.
Air Reheat	Reheating	<ol style="list-style-type: none"> 1. Press Air Reheat. 2. Follow the information displayed on the screen to place the food inside oven cavity. 3. Press the CONFIRM/MENU and set the cook time using <> or number keypad. 4. Press START. 5. Press CANCEL when finished.
Keep Warm	Hold warm	<p>Food must be at serving temperature before placing it in the warmed oven.</p> <ol style="list-style-type: none"> 1. Press Keep Warm. 2. Temperature is set at 170°F (75°C). Press <> or number keypad to set desired temperature. 3. Press START. 4. Press CANCEL when finished. <p>NOTE: The fan will shut off when the oven door is opened. If the oven door remains open for too long, the heating elements will shut off until the oven door is closed. All timers, including any active Cook Time or Timed Cook functions, will continue to countdown.</p>

KEYPAD	FEATURE	INSTRUCTIONS
Timer Set - Cancel	Oven timer	The Timer can be set in hours or minutes up to 24 hours. <ol style="list-style-type: none"> 1. Press Timer Set - Cancel. 2. Press the number keypads to set the length of time in hr-hr-min-min. Leading zeroes do not have to be entered. For example, for 2 minutes, enter "2". 3. Press Timer Set - Cancel to begin the countdown. If enabled, one tone will sound at the end of countdown. 4. Timer Set - Cancel again to cancel the Timer and return to the time of day. Do not press the CANCEL keypad because the oven will turn off. 5. If the Timer is running but not in the display, press Timer Set - Cancel to display the countdown for 5 seconds.
Oven Light	Oven cavity light	The oven light is controlled by a keypad on the oven control panel. While the oven door is closed, press the oven light keypad to turn the light on and off. When the oven door is opened, the oven light will automatically come on.
Clean Self/Steam	Clean cycle	See the "Steam Clean or Self Clean cycle" section in the Owner's Manual.
Lock (Hold to Unlock)	Oven/Cooktop control lockout	To access Oven Control Lockout: <ol style="list-style-type: none"> 1. Check that the oven is off. 2. Press Lock keypad. 3. A tone will sound and the lock menu will get displayed. Using <> keypad, select "Cooktop and Control Panel" lock or "Cooktop" lock or "Control Panel" lock option and press CONFIRM/MENU to lock. 4. Press Lock for 3 seconds to unlock. No keypads will function with the controls locked.
Proof	Proofing bread	<ol style="list-style-type: none"> 1. Place prepared dough in the oven. Press Other Modes. Use <> Keypad to navigate to Proof option and then press CONFIRM/MENU. 2. Press <> keypad to select proofing temperature and then press START. 3. Press CANCEL when finished proofing. Refer to the "Proofing Bread" section for more information.
Air Broil	Broiling	<ol style="list-style-type: none"> 1. Press Other Modes. Use <> Keypad to navigate to Air Broil option and then press CONFIRM/MENU. 2. Press <> keypad to select temperature (High, Medium, Low). 3. Press START. 4. Press CANCEL when food is ready.
Keep Warm	Keeping the food warm at particular temperature	<ol style="list-style-type: none"> 1. Press Other Modes. Use <> Keypad to navigate to Keep Warm option and then press CONFIRM/MENU. 2. Press <> or number keypad to select temperature. 3. Press START. 4. Press CANCEL when needed.

Surface Temperatures

When the range is in use, all range surfaces may become hot, such as the knobs and oven door.

Storage Drawer

When the oven is in use, the drawer may become hot. Do not store plastics, cloth, or other items that could melt or burn in the drawer.

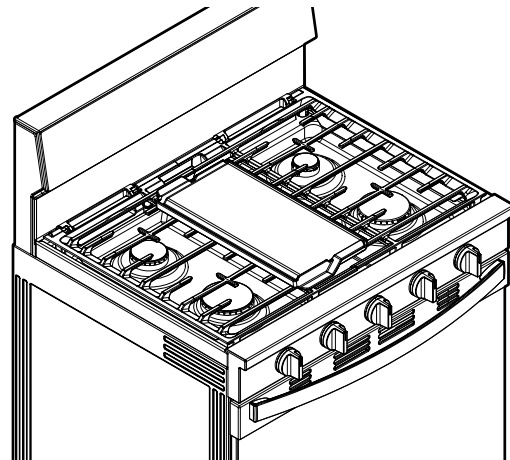
Oven Vent

The oven vent releases hot air and moisture from the oven, and should not be blocked or covered. Do not set plastics, paper, or other items that could melt or burn near the oven vent.

Griddle or Grill/Griddle (on some models)

For WFGS7530R*:

To Use the Griddle Accessory:



Griddle installed over center burner

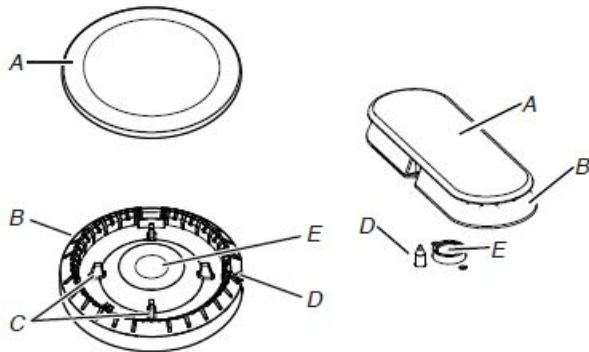
1. Locate the griddle over the center burner on the grates as shown. The locating feet on the bottom of the griddle will engage the grate tines to keep the griddle from sliding.
2. Before each use, brush on a thin layer of cooking oil to keep food from sticking. Cooking sprays may leave a sticky residue on the griddle that is hard to remove.
3. Preheat the griddle for 5 minutes. Preheating the griddle slowly will ensure even heat distribution and will avoid warping the griddle.
4. For cooking, set the center burner to the medium setting for best performance.

NOTE: It is recommended to use griddle on center burner only.

Cleaning the Griddle:

For stuck-on food, use a mild scrubbing sponge or brush with a mild soap to remove and rinse with water. Dry remaining water to reduce the chance of rusting.

Surface Burners



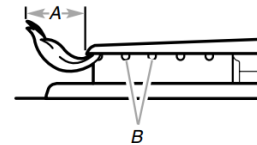
- A. Burner cap
- B. Burner base
- C. Alignment pins
- D. Igniter
- E. Gas tube opening

IMPORTANT: Do not obstruct the flow of combustion and ventilation air around the burner grate edges.

Burner cap: Always keep the burner cap in place when using a surface burner. A clean burner cap will help avoid poor ignition and uneven flames. Always clean the burner cap after a spillover and routinely remove and clean the caps according to the "General Cleaning" section.

Alignment: Be sure to align the gas tube opening in the burner base with the orifice holder on the cooktop and the igniter electrode with the notch in the burner base.

Gas tube opening: Gas must flow freely throughout the gas tube opening for the burner to light properly. Keep this area free of soil, and do not allow spills, food, cleaning agents, or any other material to enter the gas tube opening. Keep spillovers out of the gas tube by always using a burner cap.



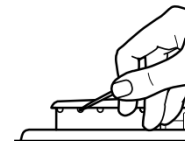
- A. 1-1 1/2" (2.5-3.8 cm)
- B. Burner ports

Burner ports: Check burner flames occasionally for proper size and shape as shown in the previous illustration. A good flame is blue in color, not yellow. Keep this area free of soil and do not allow spills, food, cleaning agents, or any other material to enter the burner ports.

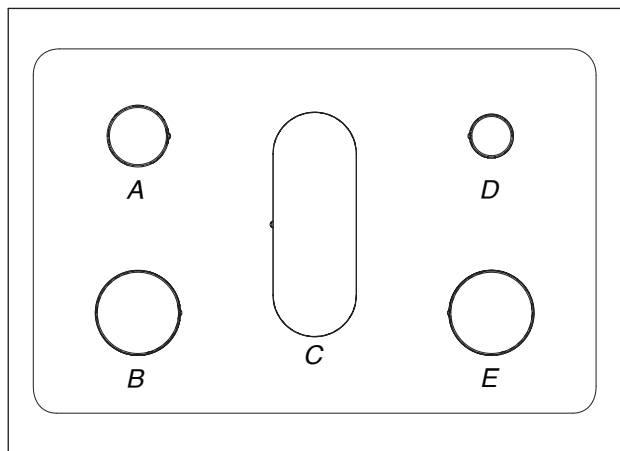
To Clean:

IMPORTANT: Before cleaning, make sure all controls are off and the oven and cooktop are cool. Do not use oven cleaners, bleach, or rust removers.

1. Remove the burner cap from the burner base and clean according to the "General Cleaning" section in the Owner's Manual.
2. Clean the gas tube opening with a damp cloth.
3. Clean clogged burner ports with a straight pin as shown. Do not enlarge or distort the port. Do not use a wooden toothpick. If the burner needs to be adjusted, contact a trained repair specialist.

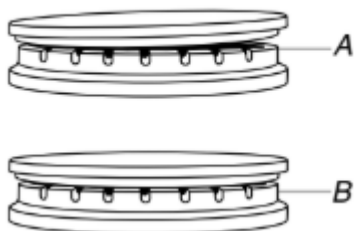


- Replace the burner base. Each round burner base is marked with a letter indicating the burner size. See the following illustration for burner positions.



- A. Medium (Semi Rapid)
- B. Large (Ultra Rapid)
- C. Oval (OV)
- D. Small (Auxiliary)
- E. Large (Ultra Rapid)

- Replace the burner cap, making sure the alignment pins are properly aligned with the burner cap.



- A. Incorrect
- B. Correct

- Place the burner caps on the appropriate burner bases.

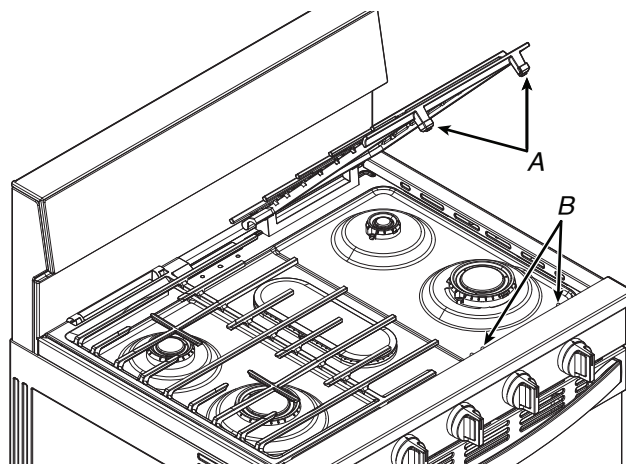
IMPORTANT: The bottom of the small and medium caps are different. Do not put the wrong size burner cap on the burner base.



- Turn on the burner. If the burner does not light, check cap alignment. If the burner still does not light, do not service the sealed burner yourself. Contact a trained repair specialist.

EZ-2-Lift™ Hinged Cast Iron Grates

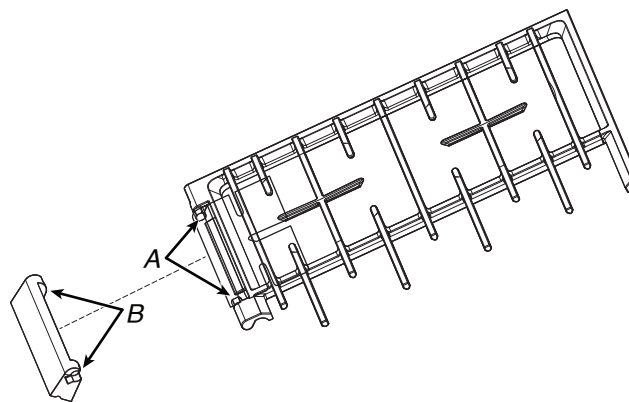
The grates must be properly positioned before cooking. In the proper position, the grates should be flush and level. Improper installation of the grates may result in chipping or scratching of the Cooktop. Your cooktop comes with hinged grates for easier cleaning. The grates pivot upward and toward the back of the cooktop for easy access under the grates. As the grates pivot up they will fit into a locking feature that will hold them upright while cleaning. They will be approximately 40 degrees in the fully open position.



- A. Bumpers
- B. Alignment indentations

Be sure to return the grates to their normal (down) position once cleaning is complete. The grates are removable for cleaning.

To attach the grates to their hinges, insert the grate pin into the hinge slot on the back of the cooktop. Be sure to keep the grate angled above the cooktop to avoid scratching the cooktop until the grate is seated on the hinge pin. Then position the grate down onto the cooktop.



- A. Grate slot
- B. Hinge pin

Although the burner grates are durable, they will gradually lose their shine and/or discolor due to the high temperatures of the gas flame.

Cookware

IMPORTANT: Do not leave empty cookware on a hot surface cooking area, element or surface burner.

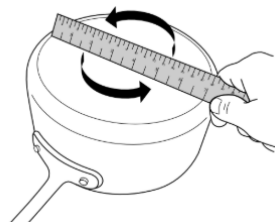
Ideal cookware should have a flat bottom, straight sides and a well-fitting lid, and the material should be of medium-to-heavy thickness.

Rough finishes may scratch the cooktop or grates. Aluminum and copper may be used as a core or base in cookware. However, when used as a base they can leave permanent marks on the grates.

Cookware material is a factor in how quickly and evenly heat is transferred, which affects cooking results. A nonstick finish has the same characteristics as its base material. For example, aluminum cookware with a nonstick finish will take on the properties of aluminum.

Cookware with nonstick surfaces should not be used under the broiler.

Check for flatness by placing the straight edge of a ruler across the bottom of the cookware. While you rotate the ruler, no space or light should be visible between it and the cookware.



Use the following chart as a guide for cookware material characteristics.

Cookware	Characteristics
Aluminum	<ul style="list-style-type: none"> Heats quickly and evenly. Suitable for all types of cooking. Medium or heavy thickness is best for most cooking tasks. May leave aluminum residues, which may be diminished if cleaned immediately after cooking.
Cast iron	<ul style="list-style-type: none"> Heats slowly and evenly. Good for browning and frying. Maintains heat for slow cooking. Rough edges or burrs may scratch the cooktop.
Ceramic or Ceramic glass	<ul style="list-style-type: none"> Follow manufacturer's instructions. Heats slowly, but unevenly. Ideal results on low to medium heat settings. May scratch the cooktop.
Copper	<ul style="list-style-type: none"> Heats very quickly and evenly. May leave copper residues, which may be diminished if cleaned immediately after cooking. Can leave a permanent stain or bond to the cooktop if overheated.
Earthenware	<ul style="list-style-type: none"> Follow manufacturer's instructions. Use on low heat settings. May scratch the cooktop.
Porcelain enamel-on-steel or cast iron	<ul style="list-style-type: none"> See stainless steel or cast iron. Porcelain enamel bakeware without the metal base may bond to the cooktop if overheated.
Stainless steel	<ul style="list-style-type: none"> Heats quickly, but unevenly. A core or base of aluminum or copper on stainless steel provides even heating.

For best results, the cookware should be centered above the burner with the bottom sitting level on the grate. The flame should be adjusted so that it does not extend up the sides of the pan.



Home Canning

When canning for long periods, alternate the use of surface burners between batches. This allows time for the most recently used areas to cool.

- Center the canner on the grate above the burner.
- Do not place canner on 2 surface burners at the same time.
- For more information, contact your local agricultural extension office or refer to published home canning guides. Companies that manufacture home canning products can also offer assistance.

Oven Use

The normal operation of the range will include several noises that may be heard each time the Bake or Broil burners ignite during the cooking cycle:

- Gas valves may make a "popping" sound when opening or closing.
- Igniters will "click" several times until a flame is sensed.
- A "poof" sound is heard when a bake or broil burner ignites.

Odors and smoke are normal when the oven is used the first few times or when it is heavily soiled.

IMPORTANT: The health of some birds is extremely sensitive to the fumes given off. Exposure to the fumes may result in death to certain birds. Always move birds to another closed and well-ventilated room.

NOTE: On some models: The fan will shut off when the oven door is opened. If the oven door remains open for too long, the heating elements will shut off until the oven door is closed. All timers, including any active Cook Time or Timed Cook functions, will continue to count down.

Electronic Oven Controls

Control Display

The display will flash when powered up or after a power loss. Press the CANCEL keypad to clear. When the oven is not in use, the time of day is displayed.

Settings

Many features of the oven control can be adjusted to meet your personal needs. These changes are made using the Settings keypad or during the initial product setup.

Press the CANCEL keypad to exit Settings.

Fahrenheit and Celsius

- Press the Settings keypad, and then arrow keys (< >) until "Preferences" appears on the screen, then press the CONFIRM/MENU keypad.
- Use the arrow keys (< >) to navigate to "Language & Regional", then press the CONFIRM/MENU button.
- Again, use the arrow keys (< >) to navigate to "Temperature Unit", and press the CONFIRM/MENU button.

4. Once more, use the arrow keys (< >) to required setting (Fahrenheit or Celsius), and then press the CONFIRM/MENU button.

Audible Tones Disable

Turns off all tones, including the end-of-cycle tone and keypress tones. Reminder tones are still active when all tones are disabled.

1. Press the Settings keypad, and then arrow keys (< >) until "Preferences" appears on the screen, then press the CONFIRM/MENU keypad.
2. Use the arrow keys (< >) to navigate to "Sound Volumes", then press the CONFIRM/MENU button.
3. Again, use the arrow keys (< >) to navigate to "All Sounds", and press the CONFIRM/MENU button.
4. Once more, use the arrow keys (< >) to navigate to "Off", then press the CONFIRM/MENU button.

Timers and Alerts Tone

Activates or turns off the tones that sound at the end of a cycle.

1. Press the Settings keypad, and then arrow keys (< >) until "Preferences" appears on the screen, then press the CONFIRM/MENU keypad.
2. Use the arrow keys (< >) to navigate to "Sound Volume", then press the CONFIRM/MENU button.
3. Again, use the arrow keys (< >) to navigate to "Timers & Alerts", and press the CONFIRM/MENU button.
4. Once more, use the arrow keys (< >) to required setting (High, Med, etc), and then press the CONFIRM/MENU button.

Keypress Tones

Activates or turns off the tones when a keypad is pressed.

1. Press the Settings keypad, and then arrow keys (< >) until "Preferences" appears on the screen, then press the CONFIRM/MENU keypad.
2. Use the arrow keys (< >) to navigate to "Sound Volume", then press the CONFIRM/MENU button.
3. Again, use the arrow keys (< >) to navigate to "Buttons & Effects", and press the CONFIRM/MENU button.
4. Once more, use the arrow keys (< >) to required setting (High, Med, etc), and then press the CONFIRM/MENU button.

12/24 Hour Clock

1. Press the Settings keypad, and then arrow keys (< >) until "Preferences" appears on the screen, then press the CONFIRM/MENU keypad.
2. Use the arrow keys (< >) to navigate to "Language & Regional", then press the CONFIRM/MENU button.
3. Again, use the arrow keys (< >) to navigate to "Time Format", and press the CONFIRM/MENU button.
4. Once more, use the arrow keys (< >) to required setting (12 or 24 hr), and then press the CONFIRM/MENU button.

Demo Mode

IMPORTANT: This feature is intended for use on the sales floor with 120 V power connection and permits the control features to be demonstrated without heating elements turning on. If this feature is activated, the oven will not work.

1. Press the Settings keypad, and then arrow keys (< >) until "Info" appears on the screen, then press the CONFIRM/MENU keypad.
2. Use the arrow keys (< >) to navigate to "Demo mode", and press the CONFIRM/MENU button.
3. Once more, use the arrow keys (< >) to required setting (On or Off), and then press the CONFIRM/MENU button.

Sabbath Mode

The Sabbath mode sets the oven to remain ON in a bake setting until turned off.

When the Sabbath mode is set, only the Bake cycle will operate. All other cooking and cleaning cycles are disabled. No tones will sound and the displays will not indicate temperature changes.

When the oven door is opened or closed, the oven light will not turn on or off and the heating elements will not turn on or off immediately.

To Enable/Disable Sabbath Mode

1. Press the Settings keypad, and then arrow keys (< >) until "Preferences" appears on the screen, then press the CONFIRM/MENU keypad.
2. Use the arrow keys (< >) to navigate to "Sabbath Mode", then press the CONFIRM/MENU button.
3. Press CONFIRM/MENU once "Set Sabbath" option appears on display. The Sabbath mode will remain active for 72 hours or until manually turned off.
4. Long press Cancel button to deactivate Sabbath mode.

Sabbath Bake

1. Press the Settings keypad, and then arrow keys (< >) until "Preferences" appears on the screen, then press the CONFIRM/MENU keypad.
2. Use the arrow keys (< >) to navigate to "Sabbath Mode", then press the CONFIRM/MENU button.
3. Use the arrow keys (< >) to navigate to "Sabbath Bake", then press the CONFIRM/MENU button.
4. Read and follow the instructions displayed during Sabbath Bake and press the CONFIRM/MENU button.
5. Set the Sabbath Bake temperature using arrow keys (< >) or number keypad. And then press START button to start the baking.

Languages: Scrolling Display Text

Language options are English, Spanish, and French.

1. Press the Settings keypad, and then arrow keys (< >) until "Preferences" appears on the screen, then press the CONFIRM/MENU keypad.
2. Use the arrow keys (< >) to navigate to "Language & Regional", then press the CONFIRM/MENU button.
3. Again, use the arrow keys (< >) to navigate to "Language", and press the CONFIRM/MENU button.
4. Once more, use the arrow keys (< >) to required setting (English, French, or Spanish), and then press the CONFIRM/MENU button.

Oven Temperature Offset Control

IMPORTANT: Do not use a thermometer to measure oven temperature. Elements will cycle on and off as needed to provide consistent temperature but may run slightly hot or cool at any point in time due to this cycling. Most thermometers are slow to react to temperature change and will not provide an accurate reading due to this cycling.

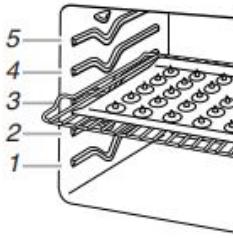
The oven provides accurate temperatures; however, it may cook faster or slower than your previous oven, so the temperature can be adjusted to personalize it for your cooking needs. It can be changed to Fahrenheit or Celsius.

To Adjust Oven Temperature:

1. Press the Settings keypad, and then arrow keys (< >) until "Preferences" appears on the screen, then press the CONFIRM/MENU keypad.
2. Use the arrow keys (< >) to navigate to "Temperature Calibration", then press the CONFIRM/MENU button.
3. Use the arrow keys (< >) and CONFIRM/MENU keypad to adjust the temperature setting as required.

Positioning Racks and Bakeware

Use the following illustration as a guide.



Rack Positions

Rack 5: Toasting bread or broiling thin, non-fatty foods

Rack 4: Air fry basket, two-rack baking and broiling

Rack 3: Most baked goods on a cookie sheet, muffin pan, or jelly roll pan; layer cakes; broiling chicken pieces

Rack 2: Pies, casseroles, yeast bread, quick breads, frozen convenience foods, and two-rack baking

Rack 1: Roasting large and small cuts of meat and poultry

Bakeware

To cook food evenly, hot air must be able to circulate. Allow 2" (5 cm) of space around bakeware and oven walls. Make sure that no bakeware piece is directly over another.

Multiple Rack Cooking

Two-rack: Use rack positions 2 and 4.

Air Fry Basket

Part of what makes air fryers so efficient at crisping up your food has to do with the perforated basket that is designed for air frying. The air fry basket allows the hot air to circulate thoroughly on the entire surface of the food. When using the Air Fry feature, position the air fry basket on top of a large baking sheet to collect crumbs, oil, and mitigate smoke. Place the basket and sheet in the rack position 4 of the oven. Refer to Positioning Racks and Bakeware in the Control Guide or Product Guide for more details. Avoid using more than one basket to avoid uneven cooking.

Baking and Roasting

Temperature Management System

The Temperature Management System electronically regulates the oven heat levels during preheat and bake to maintain a precise temperature range for optimal cooking results. The bake and broil elements or burners cycle on and off in intervals. On some models, the fan will run while preheating and may be cycled on and off for short intervals during bake to provide the best results. This feature is automatically activated when the oven is in use.

Before baking and roasting, position racks according to the "Positioning Racks and Bakeware" section. When roasting, it is not necessary to wait for the oven preheat cycle to end before putting food in unless it is recommended in the recipe.

Preheating

When beginning a Bake cycle, the oven will begin preheating after start is pressed. The oven will take approximately 12 to 15 minutes to reach 350°F (177°C) with all of the oven racks provided with your oven inside the oven cavity. Higher temperatures will take longer to preheat. The preheat cycle rapidly increases the oven temperature. The actual oven temperature will go above your set temperature to offset the heat lost when your oven door is opened to insert food. This ensures that when you place your food in the oven, the oven will begin at the proper temperature. Insert your food when the preheat tone sounds. Do not open the door during preheat before the tone sounds.

Rapid Preheat

Rapid Preheat can be used to shorten the preheating time. Only one standard flat oven rack should be in the oven during Rapid Preheat. Extra racks should be removed prior to starting Rapid Preheat. The preheating cycle should be completed before placing food in the oven. When the Rapid Preheat cycle is complete, the oven starts a normal Bake cycle.

IMPORTANT: Rapid Preheat should be used only for one-rack baking.

Oven Temperature

While in use, the oven elements will cycle on and off as needed to maintain a consistent temperature, but they may run slightly hot or cool at any point in time due to this cycling. Opening the oven door while in use will release the hot air and cool the oven which could impact the cooking time and performance. It is recommended to use the oven light to monitor cooking progress.

No Preheat

No Preheat automatically adjusts the manufacturer's bake time by combining preheating and baking, to deliver great packaged frozen food results without the wait. There are six programmed food options to choose from: Pizza, and Lasagna. No Preheat cycles have been customized to work only with these foods. When using No Preheat, it is important that you follow all manufacturer's instructions including venting, covering, stirring or placing on a baking sheet to ensure a good result. When cooking frozen meals, only cook items that provide instructions for cooking in a conventional oven. Place your dish in the center of the rack and select one of the rack positions recommended for No Preheat in the "Positioning Racks and Bakeware" section and bake only one package or pan at a time. Use the temperature and minimum bake time from the package.

A tone will alert you to check the food for doneness before the cook time is complete and again at the end of the cook time. The display will prompt you to add additional cook time if desired or needed at end the cycle.

Broiling

When broiling, preheat the oven for 5 minutes before putting food in, unless recommended otherwise in the recipe. Position food on grid in a broiler pan, and then place it in the center of the oven rack.

IMPORTANT: Close the door to ensure proper broiling temperature.

Changing the temperature when broiling allows more precise control when cooking. The lower the broil setting, the slower the cooking. Thicker cuts and unevenly shaped pieces of meat, fish, and poultry may cook better at lower broil settings. Use racks 6 or 7 for broiling. Refer to the "Positioning Racks and Bakeware" section for more information.

- For best results, use a broiler pan and grid. It is designed to drain juices and help avoid spatter and smoke.

If you would like to purchase a broiler pan, one may be ordered. See the Quick Start Guide for contact information.

NOTE: Odors and smoke are normal the first few times the oven is used or if the oven is heavily soiled.

Air Frying

While air frying, the heating elements and fan cycle on and off in intervals to maintain the oven temperature while the fan circulates the hot air. Close the oven door to ensure proper temperature.

IMPORTANT: Cooking times, temperatures, and general instructions may vary depending on recipe.

Air frying in a large oven cavity allows for more food to be air fried at one time, longer baking times are to be expected.

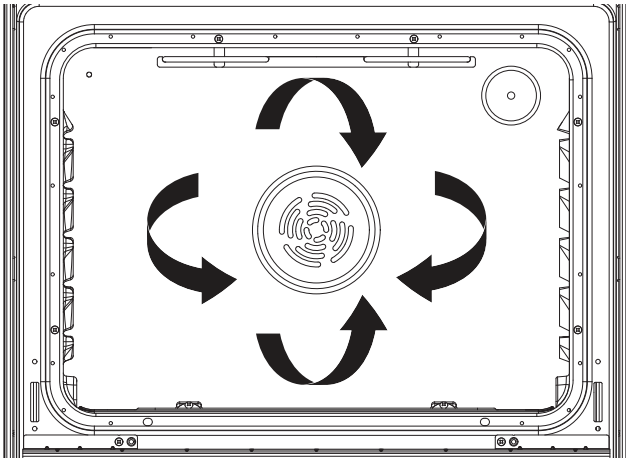
- When air frying, food should be evenly spaced in an air fry basket in a single layer.
- Refer to instructions on packaged food for conventional oven baking regarding air fry time and temperature.
- For fresh food recipes with bake times over 30 minutes, a 5-10 minutes preheat is recommended.
- For frozen, bone-in, or dense foods with cook times less than 15 minutes, additional time may be required.
- It is not recommended to use wet batter when air frying.
- For best performance, shake or flip food half-way through bake time. Be sure to close the oven door after removing and inserting the food back to the cavity.
- Spray air fry basket with oil to avoid food sticking to basket.

NOTE: Greasy foods may cause smoke during the air fry cycle. Properly using the air fry basket and baking sheet will help to reduce the amount of smoke produced. Maintaining a clean oven and baking sheet will also help reduce the amount of smoke.

Air Cooking

During Air cooking cycles the bake burner on and off in intervals while the fan circulates the hot air. This movement of hot air helps maintain a consistent temperature throughout the oven, cooking foods more evenly, crisping surfaces while sealing in moisture, and yielding crustier breads.

IMPORTANT: With air cooking, most foods can be cooked at a lower temperature or at a shorter time. This range automatically reduces the set oven temperature by 25°F (15°C) for air cooking.



If the oven door is opened during convection cooking, the fan will turn off immediately. It will come back on when the oven door is closed.

NOTE: The oven door must be closed for air broiling.

Options

Air Bake - Multiple-rack baking or cookies, biscuits, breads, casseroles, tarts, tortes, cakes.

Air Roast - Whole chicken or turkey, vegetables, pork roasts, beef roasts.

Air Broil - Thicker cuts or unevenly shaped pieces of meat, fish or poultry.

Proofing Bread

Proofing bread prepares the dough for baking by activating the yeast. Follow the recipe directions as a guide. Proof should be used for fresh dough, thawed dough, and for the first and second rise.

To Proof:

Before first proofing, place the dough in a lightly greased bowl and cover loosely with wax paper, coated with shortening. Place on rack guide 2 and close the oven door.

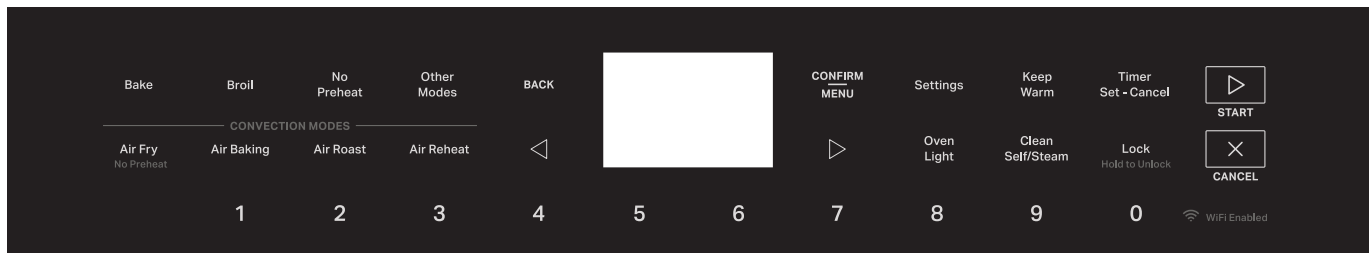
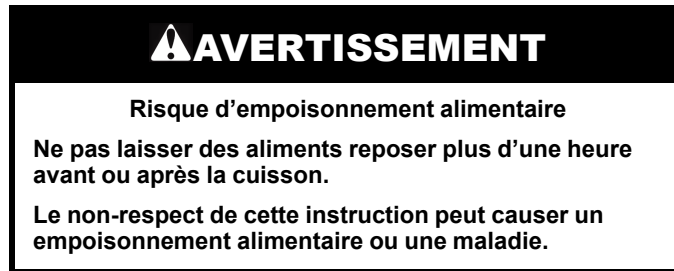
NOTE: If the temperature of the oven is greater than 115°F (46°C), "Oven Cooling" will be displayed until the temperature is less than 115°F (46°C).

Guide des commandes de la cuisinière à gaz autoportante

GUIDE DES CARACTÉRISTIQUES

AVERTISSEMENT : Pour réduire le risque d'incendie, de décharge électrique ou de blessures, lire les INSTRUCTIONS IMPORTANTES DE SÉCURITÉ du guide d'utilisation de votre appareil avant de faire fonctionner cet appareil.

Ces instructions couvrent plusieurs modèles. Votre modèle peut comporter toutes les caractéristiques énumérées ou seulement certaines d'entre elles. Se reporter à ce manuel pour obtenir des instructions plus détaillées ou à la section Foire aux questions (FAQ) de notre site Web au www.whirlpool.com/owners pour des instructions plus détaillées. Au Canada, consulter la section service à la clientèle au www.whirlpool.ca/proprietaire.



CLAVIER	CARACTÉRIS- TIQUE	INSTRUCTIONS
START (MISE EN MARCHÉ)	Démarrage de la cuisson	La touche START (MISE EN MARCHÉ) met en marche n'importe quelle fonction du four.
CANCEL (ANNULATION)	Fonction de la cuisinière	La touche CANCEL (ANNULATION) désactive toutes les fonctions du four correspondant à l'exception de l'horloge et de la minuterie.
CONFIRM/MENU (CONFIRMER/MENU)	Confirmer ou menu supplémentaire	Le bouton CONFIRM/MENU (CONFIRMER/MENU) confirme la sélection de l'option et fournit aussi un menu supplémentaire dans une fonction spécifique.
BACK (RETOUR)	Pour revenir à l'écran précédent	La touche BACK (RETOUR) permet de revenir à l'écran de menu précédent.
Settings (Réglages)	Réglages	Les réglages permettent de personnaliser les signaux sonores et le fonctionnement du four selon les préférences de l'utilisateur. Voir la section « Commande électronique du four ».
Bake (Cuisson au four)	Cuisson et rôtissage au four	<ol style="list-style-type: none"> Appuyer sur Bake (Cuisson au four). Utiliser les touches numériques ou les <> pour régler la température souhaitée. Si la température entrée ne se trouve pas dans la fourchette des températures autorisées, la température minimale ou maximale autorisée s'affiche. Saisir une température dans la plage autorisée. Appuyer sur START (MISE EN MARCHÉ). Pour modifier la température ou le temps de cuisson, appuyez sur CONFIRM/MENU (CONFIRMER/MENU). Utilisez les touches < > et la touche CONFIRM/MENU (CONFIRMER/MENU) pour sélectionner et régler la température ou le temps de cuisson. Appuyer sur CANCEL (ANNULATION) après avoir terminé.

CLAVIER	CARACTÉRIS- TIQUE	INSTRUCTIONS
Broil (Cuisson au gril)	Rôtissage	<ol style="list-style-type: none"> Appuyer sur Broil (Cuisson au gril). Sélectionnez la température de cuisson (basse, moyenne, élevée) à l'aide des touches < >. Appuyer sur START (MISE EN MARCHÉ). Pour modifier la température ou le temps de cuisson, appuyez sur CONFIRM/MENU (CONFIRMER/MENU). Utilisez les touches < > et la touche CONFIRM/MENU (CONFIRMER/MENU) pour sélectionner et régler la température ou le temps de cuisson. Appuyer sur CANCEL (ANNULATION) après avoir terminé.
No Preheat (Pas de préchauffage)	Plats préparés surgelés	<ol style="list-style-type: none"> Appuyer sur No Preheat (Pas de préchauffage) pour la cuisson des pizzas, sélectionner Frozen Pizza (Pizza surgelée); pour les lasagnes surgelées, sélectionner Frozen Lasagna (Lasagnes surgelées) à l'aide des touches < >. Placer le plat sur une grille plate du four à la position 3. Voir la section « Positionnement des grilles et ustensiles de cuisson au four ». REMARQUE : Ne cuire qu'un seul paquet de produits surgelés. Appuyer sur CONFIRM/MENU (CONFIRMER/MENU). Utilisez les touches < > et la touche CONFIRM/MENU (CONFIRMER/MENU) pour sélectionner et régler la température selon ce qui est indiqué sur l'emballage de l'aliment. Appuyer sur la touche START (MISE EN MARCHÉ). La cuisinière calcule la durée de cuisson optimale en fonction de la température actuelle du four. Pour modifier la température ou le temps de cuisson, appuyez sur CONFIRM/MENU (CONFIRMER/MENU). Utilisez les touches < > et la touche CONFIRM/MENU (CONFIRMER/MENU) pour sélectionner et régler la température ou le temps de cuisson. Appuyer sur la touche CANCEL (ANNULATION) une fois l'opération terminée.
Other Modes (Autres modes)	Voir les autres modes de cuisson	Utilisez OTHER MODES (AUTRES MODES) pour parcourir d'autres modes de cuisson.
Air Fry (Friture à l'air)	Faire frire à l'air	<ol style="list-style-type: none"> Placer les aliments directement dans le four. Consulter la section Positionnement des grilles et ustensiles pour plus de détails. Appuyer sur Air Fry (Friture à l'air). Appuyer ensuite sur CONFIRM/MENU (CONFIRMER/MENU). Entrer la température de cuisson souhaitée à l'aide des touches numériques ou < >. Une tonalité résonnera si la température saisie est trop élevée ou basse. Appuyer sur la touche START (MISE EN MARCHÉ). Il n'y a pas de préchauffage ou de tonalité de préchauffage. Pour changer la température, répéter l'étape 2. Appuyer sur START (MISE EN MARCHÉ). Appuyer sur CANCEL (ANNULATION) après avoir terminé. REMARQUE : Le ventilateur et les éléments s'arrêtent lorsque la porte est ouverte et jusqu'à ce que la porte soit refermée. Toutes les minuteries, incluant Cook Time (Minuteries de cuisson) ou Timed Cook (Fonctions de cuisson minutée), continuent leur compte à rebours.
Air Baking (Cuisson au four à l'air)	Cuisson au four à l'air	<ol style="list-style-type: none"> Appuyer sur Air Bake (Cuisson au four à l'air). Utiliser les touches numériques ou les < > pour régler la température souhaitée. Appuyer sur la touche START (MISE EN MARCHÉ). Le préchauffage démarre. Insérer les aliments lorsque demandé. Pour modifier la température ou le temps de cuisson, appuyez sur CONFIRM/MENU (CONFIRMER/MENU). Utilisez les touches < > et la touche CONFIRM/MENU (CONFIRMER/MENU) pour sélectionner et régler la température ou le temps de cuisson. Appuyer sur CANCEL (ANNULATION) après avoir terminé.
Air Roast (Rôtissage à l'air)	Faire rôtir à l'air	<ol style="list-style-type: none"> Appuyer sur Air Roast (Rôtissage à l'air). Utiliser les touches < > et les touches numériques pour sélectionner la température souhaitée. Appuyer sur la touche START (MISE EN MARCHÉ). Pour modifier la température ou le temps de cuisson, appuyez sur CONFIRM/MENU (CONFIRMER/MENU). Utilisez les touches < > et la touche CONFIRM/MENU (CONFIRMER/MENU) pour sélectionner et régler la température ou le temps de cuisson. Appuyer sur CANCEL (ANNULATION) après avoir terminé.

CLAVIER	CARACTÉRIS- TIQUE	INSTRUCTIONS
Air Reheat (Réchauffage à l'air)	Réchauffage	<ol style="list-style-type: none"> 1. Appuyer sur Air Reheat (Réchauffage à l'air). 2. Suivre les informations affichées à l'écran pour placer les aliments dans la cavité du four. 3. Appuyer sur CONFIRM/MENU (CONFIRMER/MENU) et régler le temps de cuisson à l'aide des touches < > ou des touches numériques. 4. Appuyer sur START (MISE EN MARCHÉ). 5. Appuyer sur CANCEL (ANNULATION) après avoir terminé.
Keep Warm (Maintien au chaud)	Maintien au chaud	<p>Les aliments doivent être à la température de service avant d'être placés dans le four chaud.</p> <ol style="list-style-type: none"> 1. Appuyer sur Keep Warm (Maintien au chaud). 2. La température est réglée à 170 °F (75 °C). Utiliser les touches <> ou les touches numériques pour régler la température désirée. 3. Appuyer sur START (MISE EN MARCHÉ). 4. Appuyer sur CANCEL (ANNULATION) après avoir terminé. <p>REMARQUE : Le ventilateur s'arrête lorsque la porte est ouverte. Si la porte du four reste ouverte trop longtemps, les éléments chauffants se ferment jusqu'à ce que la porte soit de nouveau fermée. Toutes les minuteries, incluant Cook Time (Minuteries de cuisson) ou Timed Cook (Fonctions de cuisson minutée), continuent leur compte à rebours.</p>
Timer Set – Cancel (Réglage – Annulation de la minuterie)	Minuterie du four	<p>La minuterie peut être réglée en heures ou en minutes jusqu'à concurrence de 24 heures.</p> <ol style="list-style-type: none"> 1. Appuyer sur Timer Set – Cancel (Réglage/Annulation de la minuterie). 2. Appuyer sur les touches numériques pour régler la durée en h-h-min. Les zéros de gauche peuvent ne pas être entrés. Par exemple, pour saisir 2 minutes, appuyer sur « 2 ». 3. Appuyer sur Timer Set – Cancel (Réglage/Annulation de la minuterie) pour lancer le compte à rebours. S'il est activé, un signal sonore retentit à la fin du compte à rebours. 4. Timer Set – Cancel (Réglage – Annulation de la minuterie) pour annuler la minuterie et revenir à l'heure du jour. Ne pas appuyer sur la touche CANCEL (ANNULATION), sinon le four s'éteindra. 5. Si la minuterie est activée mais n'apparaît pas sur l'affichage, appuyer sur Timer Set – Cancel (Réglage – Annulation de la minuterie) pour afficher le compte à rebours pour 5 secondes.
Oven Light (Lampe du four)	Éclairage de la cavité du four	<p>L'éclairage du four est commandé à l'aide du tableau de commande du four. La porte du four étant fermée, appuyer sur la touche de la lampe du four pour allumer ou éteindre la lampe. La lampe du four s'allume automatiquement à l'ouverture de la porte.</p>
Clean Self/Steam (Autonettoyage/ Nettoyage à la vapeur)	Programme de nettoyage	<p>Consulter la section « Programme de nettoyage à la vapeur ou d'autonettoyage » du manuel d'utilisation.</p>
Lock (Hold To Unlock) (Verrouillage [Maintenir pour déverrouiller])	Verrouillage des commandes du four/de la table de cuisson	<p>Pour accéder au verrouillage des commandes du four :</p> <ol style="list-style-type: none"> 1. Vérifier que le four est éteint. 2. Appuyer sur la touche Lock (Verrouillage). 3. Un signal retentit et le menu de verrouillage s'affiche. À l'aide des touches < >, sélectionner l'option de verrouillage « Cooktop and Control Panel » (Table de cuisson et panneau de commande), « Cooktop » (Table de cuisson) ou « Control Panel » (Panneau de commande) et appuyez sur CONFIRM/MENU (CONFIRMER/MENU) pour verrouiller. 4. Appuyer Lock (Verrouillage) pendant 3 secondes pour déverrouiller. Aucune touche ne fonctionne lorsque les commandes sont verrouillées.
Proof (Faire lever)	Levée du pain	<ol style="list-style-type: none"> 1. Placer la pâte préparée dans le four. Appuyer sur Other Modes (Autres modes). Utiliser les touches < > pour naviguer jusqu'à l'option « Proof » (levée), puis appuyer sur CONFIRM/MENU (CONFIRMER/MENU). 2. Appuyer sur les touches < > pour sélectionner la température de levée, puis appuyer sur START (MISE EN MARCHÉ). 3. Appuyer sur CANCEL (ANNULATION) lorsque la levée est terminée. <p>Consulter la section « Levée du pain » pour plus d'informations.</p>

CLAVIER	CARACTÉRIS- TIQUE	INSTRUCTIONS
Air Broil (Rôtissage à l'air)	Rôtissage	<ol style="list-style-type: none"> 1. Appuyer sur Other Modes (Autres modes). Utiliser les touches < > pour naviguer jusqu'à l'option « Air Broil » (Rôtissage à l'air), puis appuyer sur CONFIRM/MENU (CONFIRMER/MENU). 2. Appuyer sur les touches < > pour sélectionner la température (élevée, moyenne, basse). 3. Appuyer sur START (MISE EN MARCHÉ). 4. Appuyer sur CANCEL (ANNULATION) lorsque les aliments sont prêts.
Keep Warm (Maintien au chaud)	Maintenir les aliments au chaud à une température donnée	<ol style="list-style-type: none"> 1. Appuyer sur Other Modes (Autres modes). Utiliser les touches < > pour naviguer jusqu'à l'option « Keep Warm (Maintien au chaud), puis appuyer sur CONFIRM/MENU (CONFIRMER/MENU). 2. Utiliser les touches < > ou les touches numériques pour sélectionner la température. 3. Appuyer sur START (MISE EN MARCHÉ). 4. Appuyer sur CANCEL (ANNULATION) lorsque nécessaire.

Température de la surface

Lorsque la cuisinière est en marche, toutes ses surfaces peuvent chauffer, y compris les boutons de commande et la porte du four.

Tiroir de remisage

Lorsque le four est en marche, le tiroir peut chauffer. Ne pas placer d'objets en plastique, en tissu ou susceptibles de fondre ou de brûler dans le tiroir.

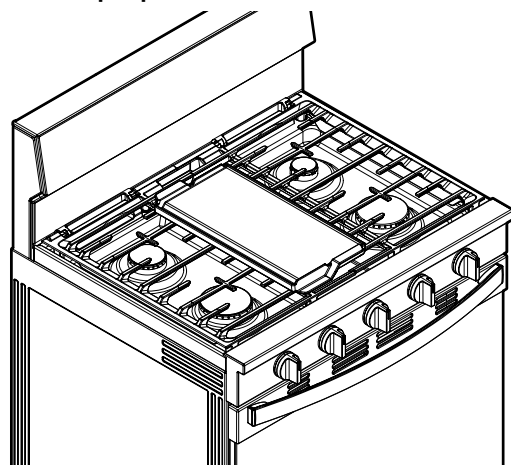
Évent du four

L'évent du four permet l'évacuation de l'air chaud et de l'humidité du four. Il ne doit pas être obstrué ou couvert. Ne pas placer près de l'évent du four des objets en plastique, en papier ou susceptibles de fondre ou de brûler.

Plaque à frire ou gril/plaque à frire (sur certains modèles)

Pour WFGS7530R* :

Utilisation de la plaque à frire :



Plaque à frire installée sur le brûleur central

1. Placez la plaque à frire au-dessus du brûleur central sur les grilles comme indiqué. Les pieds de positionnement sur le dessous de la plaque à frire s'engagent dans les tiges de la grille pour empêcher la plaque à frire de glisser.

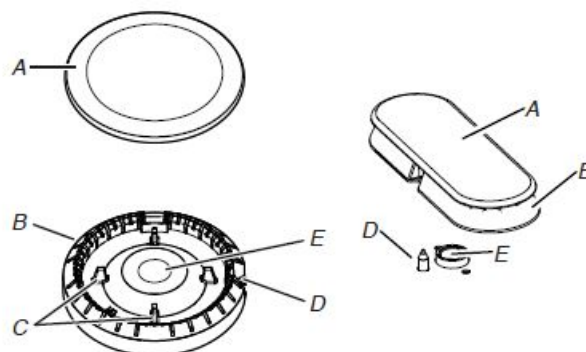
2. Avant chaque utilisation, passer une fine couche d'huile de cuisson afin d'empêcher les aliments de coller. Les aérosols de cuisson peuvent laisser un résidu collant sur la plaque à frire, qui sera difficile à enlever.
3. Préchauffer la plaque à frire pendant 5 minutes. Un préchauffage lent assure une distribution homogène de la chaleur et évite de déformer la plaque à frire.
4. Pour la cuisson, régler le brûleur central sur la position moyenne afin d'obtenir les meilleurs résultats.

REMARQUE : Il est recommandé d'utiliser la plaque à frire sur le brûleur central seulement.

Nettoyage de la plaque à frire :

Pour les aliments collés, utilisez une éponge ou une brosse à récurer douce avec un savon doux pour les enlever et rincez à l'eau. Sécher l'eau restante pour réduire le risque de rouille.

Brûleur de surface



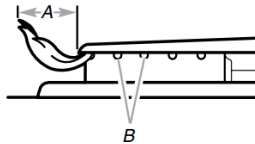
- A. Chapeau de brûleur
 B. Base du brûleur
 C. Tiges d'alignement
 D. Allumeur
 E. Ouverture du tube d'arrivée de gaz

IMPORTANT : Ne pas entraver l'évacuation de l'air de combustion et de ventilation autour des bords des grilles de brûleur.

Chapeau de brûleur : Toujours garder le chapeau de brûleur en place lorsqu'un brûleur de surface est utilisé. Un chapeau de brûleur propre aide à empêcher le mauvais allumage et les flammes irrégulières. Toujours nettoyer le chapeau du brûleur après un renversement; enlever et nettoyer régulièrement les chapeaux comme indiqué à la section « Nettoyage général ».

Alignement : S'assurer d'aligner l'ouverture du tube d'arrivée de gaz de la base du brûleur avec le porte-injecteur situé sur la table de cuisson et d'aligner également l'électrode d'allumage avec l'encoche de la base du brûleur.

Ouverture du tube d'arrivée de gaz : Pour que le brûleur s'allume convenablement, il faut que le gaz puisse passer librement à travers l'orifice. Garder cette zone propre, et ne pas laisser les produits renversés, les aliments, les agents de nettoyage, ou tout autre produit pénétrer dans l'ouverture du tube d'arrivée de gaz. Toujours utiliser un chapeau de brûleur pour protéger le tube de gaz contre tout renversement.



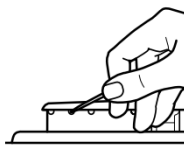
A. 1 à 1 1/2 po (2,5 à 3,8 cm) B. Orifices de brûleur

Orifices de brûleur : Examiner occasionnellement les flammes des brûleurs pour en vérifier la taille et la forme comme indiqué dans l'illustration précédente. Une bonne flamme est bleue plutôt que jaune. Garder cette zone exempte de souillures et ne pas laisser les produits renversés, les aliments, les agents de nettoyage ou d'autres produits pénétrer dans les orifices de brûleur.

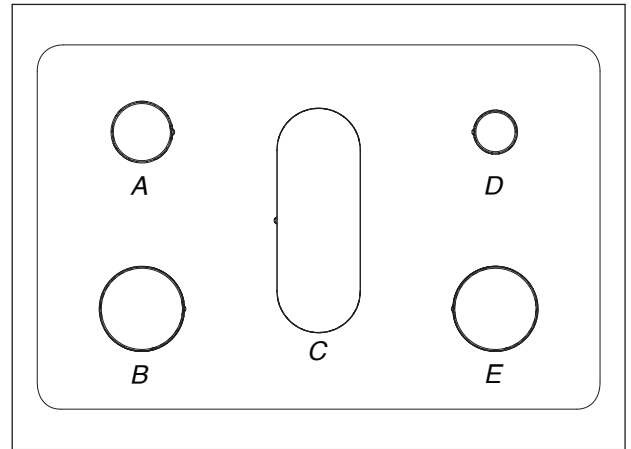
Nettoyage :

IMPORTANT : Avant le nettoyage, s'assurer que toutes les commandes sont éteintes et que le four et la table de cuisson sont froids. Ne pas utiliser de nettoyeurs à four, d'agent de blanchiment ou de décapants à rouille.

1. Enlever le chapeau de brûleur de la base du brûleur et nettoyer comme indiqué à la section « Nettoyage général » du manuel d'utilisation.
2. Nettoyer l'ouverture du tube d'arrivée de gaz avec un chiffon humide.
3. Nettoyer les orifices de brûleur obstrués avec une épingle droite comme indiqué. Ne pas agrandir ni déformer l'orifice. Ne pas utiliser un cure-dents en bois. Si le brûleur a besoin d'être ajusté, contacter un technicien de réparation qualifié.

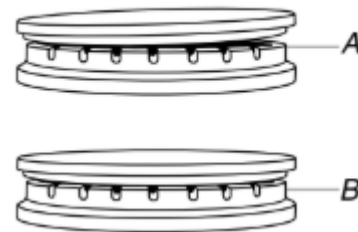


4. Réinstaller la base du brûleur. Chaque base de brûleur rond est marquée d'une lettre indiquant la taille du brûleur. Voir l'illustration suivante pour connaître la position des brûleurs.



A. Moyen (semi-rapide) D. Petit (auxiliaire)
 B. Grand (ultra-rapide) E. Grand (ultra-rapide)
 C. Ovale (OV)

5. Réinstaller le chapeau du brûleur et s'assurer que les tiges d'alignement sont bien alignées avec le chapeau du brûleur.



A. Incorrect
 B. Correct

6. Placer les chapeaux de brûleur sur les bases de brûleurs appropriées.

IMPORTANT : La partie inférieure des petits chapeaux et des chapeaux moyens est différente. Ne pas poser un chapeau de la mauvaise taille sur la base du brûleur.

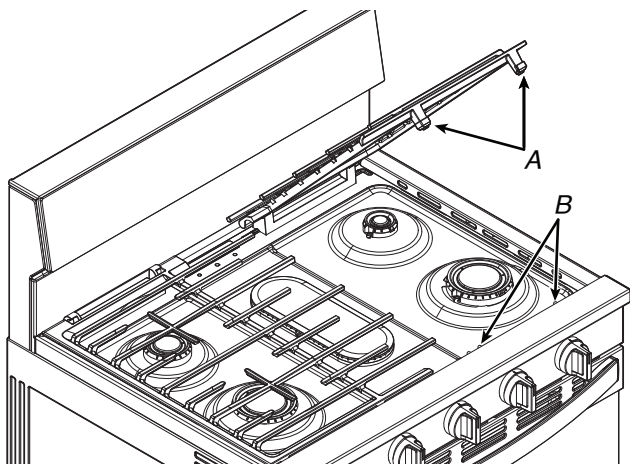


7. Allumer le brûleur. Si le brûleur ne s'allume pas, vérifier l'alignement du chapeau. Si le brûleur ne s'allume toujours pas, ne pas réparer vous-même le brûleur scellé. Contacter un technicien de réparation qualifié.

Grilles en fonte sur charnières

EZ-2-Lift™

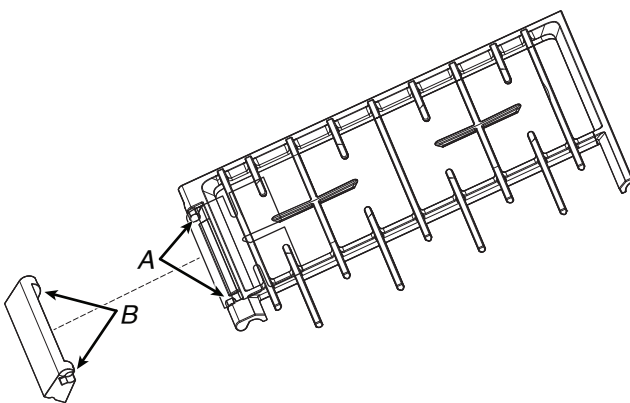
Les grilles doivent être correctement positionnées avant la cuisson. Les grilles doivent être en affleurement et de niveau pour être en bonne position. Une mauvaise installation des grilles peut écailler ou rayer la table de cuisson. Votre table de cuisson est fournie avec des grilles sur charnières plus faciles à nettoyer. Les grilles pivotent vers le haut et vers l'arrière de la table de cuisson, pour accéder plus facilement aux zones situées en dessous des grilles. Puisque les grilles pivotent vers le haut, elles s'insèrent dans un dispositif de verrouillage qui les maintient en position verticale pendant le nettoyage. Elles sont à environ 40 degrés en position d'ouverture complète.



A. Butoir
B. Indentations d'alignement

Veiller à remettre les grilles en position normale (basse) une fois le nettoyage terminé. Les grilles sont amovibles pour le nettoyage.

Pour attacher les grilles à leurs charnières, insérer l'encoche des grilles sur l'encoche de la charnière à l'arrière de la table de cuisson. Veiller à incliner légèrement la grille par-dessus la table de cuisson jusqu'à ce qu'elle soit bien insérée dans l'axe de la charnière pour éviter d'érafler la table de cuisson. Puis abaisser la grille en position sur la table de cuisson.



A. Encoche de la grille
B. Axe de charnière

Bien que les grilles de brûleurs soient durables, elles perdront progressivement de leur lustre et se décoloreront en raison des fortes températures produites par les flammes.

Ustensile de cuisson

IMPORTANT : Ne pas laisser d'ustensile de cuisson vide sur une surface de cuisson, un élément ou un brûleur de surface chaud.

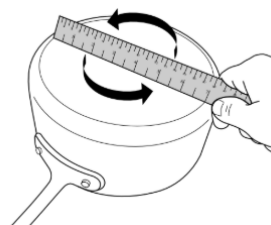
Les ustensiles de cuisson idéals doivent avoir un fond plat, des parois droites, un couvercle qui ferme hermétiquement et le matériau doit être d'épaisseur moyenne à forte.

Les finis rugueux peuvent érafler la table de cuisson ou les grilles. L'aluminium et le cuivre peuvent être utilisés comme fond ou base d'un ustensile de cuisson. Toutefois, lorsqu'ils sont utilisés comme base, ils peuvent laisser des marques permanentes sur les grilles.

Le matériau d'un ustensile a une influence sur la rapidité et l'uniformité de la transmission de la chaleur, lesquelles contribuent aux résultats de cuisson. Un fini antiadhésif a les mêmes caractéristiques que son matériau de base. Par exemple, un ustensile de cuisson en aluminium avec un fini antiadhésif aura les propriétés de l'aluminium.

Les ustensiles de cuisson avec surface antiadhésive ne doivent pas être utilisés sous le gril.

Vérifier que le récipient est plat en plaçant le bord plat d'une règle en travers du fond du récipient. Lorsque l'on fait tourner la règle, aucun espace ou jour ne doit être visible entre celle-ci et le récipient.



Utiliser le tableau suivant comme guide pour les caractéristiques du matériau d'ustensile de cuisson.

Ustensile de cuisson	Caractéristiques
Aluminium	<ul style="list-style-type: none"> ■ Chauffe rapidement et uniformément. ■ Convient à tous les genres de cuisson. ■ L'épaisseur moyenne ou forte convient le mieux pour la plupart des tâches de cuisson. ■ Peut laisser des résidus d'aluminium. Pour en réduire la quantité, les nettoyer immédiatement après la cuisson.
Fonte	<ul style="list-style-type: none"> ■ Chauffe lentement et uniformément. ■ Convient pour le brunissage et la friture. ■ Maintient la chaleur pour une cuisson lente. ■ Des rebords anguleux ou mal poncés peuvent érafler la table de cuisson.
Céramique ou vitrocéramique	<ul style="list-style-type: none"> ■ Suivre les instructions du fabricant. ■ Chauffe lentement, mais inégalement. ■ Les meilleurs résultats sont obtenus sur les réglages de chaleur basse à moyenne. ■ Peut érafler la table de cuisson.
Cuivre	<ul style="list-style-type: none"> ■ Chauffe très rapidement et uniformément. ■ Peut laisser des résidus de cuivre. Pour en réduire la quantité, les nettoyer immédiatement après la cuisson. ■ Peut laisser une tache indélébile ou adhérer à la table de cuisson en cas de surchauffe du matériau.

Ustensile de cuisson	Caractéristiques
Terre cuite	<ul style="list-style-type: none"> ■ Suivre les instructions du fabricant. ■ Utiliser des réglages de température basse. ■ Peut érafler la table de cuisson.
Acier émaillé en porcelaine ou fonte émaillée	<ul style="list-style-type: none"> ■ Voir acier inoxydable ou fonte. ■ Les ustensiles de cuisson au four en émail vitrifié dépourvus d'une base métallique peuvent adhérer à la table de cuisson en cas de surchauffe du matériau.
Acier inoxydable	<ul style="list-style-type: none"> ■ Chauffe rapidement, mais inégalement. ■ Un fond ou une base d'aluminium ou de cuivre sur l'acier inoxydable procure un chauffage uniforme.

Pour obtenir les meilleurs résultats, les ustensiles de cuisson doivent être centrés au-dessus du brûleur tout en étant posés à l'horizontale au fond sur la grille. La flamme doit être réglée de sorte qu'elle ne s'étende pas sur les côtés du plat.



Mise en conserve à la maison

Lors de la préparation de conserves pendant de longues périodes, alterner l'utilisation des brûleurs de surface de cuisson entre chaque quantité préparée. Ceci permet aux dernières surfaces utilisées de refroidir.

- Centrer l'autoclave sur la grille située au dessus du brûleur.
- Ne pas placer l'autoclave sur 2 brûleurs de surface en même temps.
- Pour plus de renseignements, contacter votre bureau de développement agricole local, ou consulter les guides publiés sur la mise en conserve domestique. Les compagnies qui fabriquent des produits pour la préparation de conserves peuvent aussi offrir de l'aide.

Utilisation au four

Durant le fonctionnement normal de la cuisinière, plusieurs bruits se font entendre chaque fois que les brûleurs de cuisson au four ou de cuisson au gril s'allument au cours du programme de cuisson :

- Les robinets de gaz peuvent produire un bruit « d'éclatement » lorsqu'ils sont ouverts ou fermés.
- Les allumeurs émettront plusieurs « déclics » jusqu'à ce qu'une flamme soit détectée.
- Un bruit « d'affaissement » peut se faire entendre lorsque le brûleur de cuisson au four ou de cuisson au gril s'allume.

Des odeurs et de la fumée sont normales lorsque le four est utilisé les premières fois et lorsqu'il est très sale.

IMPORTANT : La santé de certains oiseaux est très sensible aux émanations de fumée. L'exposition aux émanations peut entraîner la mort de certains oiseaux. Toujours déplacer les oiseaux dans une autre pièce fermée et bien aérée.

REMARQUE : Sur certains modèles : Le ventilateur s'arrête lorsque la porte est ouverte. Si la porte du four reste ouverte trop longtemps, les éléments chauffants se ferment jusqu'à ce que la porte soit de nouveau fermée. Toutes les minuteries, incluant Cook Time (Minuteries de cuisson) ou Timed Cook (Fonctions de cuisson minutée), continuent leur compte à rebours.

Commandes électroniques du four

Affichage des commandes

L'affichage clignote à la mise sous tension ou après une coupure de courant. Appuyer sur la touche CANCEL (ANNULATION) pour annuler. Lorsque le four n'est pas utilisé, l'heure s'affiche.

Settings (Réglages)

De nombreuses fonctions du four peuvent être réglées pour répondre à vos besoins. On effectue ces changements à l'aide de la touche Settings (Réglages) ou pendant le réglage initial du produit.

Appuyer sur la touche Cancel (Annulation) pour quitter les réglages.

Fahrenheit et Celsius

1. Appuyer sur la touche Settings (Réglages), puis sur les flèches (< >) jusqu'à ce que « Preferences » (Préférences) s'affiche à l'écran, puis appuyer sur la touche CONFIRM/MENU (CONFIRMER/MENU).
2. Utiliser les flèches (< >) pour naviguer jusqu'à « Language & Regional » (Langue et région), puis appuyer sur le bouton CONFIRM/MENU (CONFIRMER/MENU).
3. De nouveau, utiliser les flèches (< >) pour naviguer jusqu'à « Temperature Unit » (Unité de température), et appuyer sur le bouton CONFIRM/MENU (CONFIRMER/MENU).
4. Une fois encore, utiliser les flèches (< >) pour naviguer jusqu'au réglage souhaité (Fahrenheit ou Celsius) et appuyer sur le bouton CONFIRM/MENU (CONFIRMER/MENU).

Désactivation des signaux sonores

Désactive tous les signaux sonores, y compris le signal sonore de fin de programme et les signaux sonores d'appui sur un bouton. Les signaux sonores de rappel restent actifs lorsque tous les sons sont désactivés.

1. Appuyer sur la touche Settings (Réglages), puis sur les flèches (< >) jusqu'à ce que « Preferences » (Préférences) s'affiche à l'écran, puis appuyer sur la touche CONFIRM/MENU (CONFIRMER/MENU).
2. Utiliser les flèches (< >) pour naviguer jusqu'à « Sound Volume » (Volume sonore), puis appuyer sur le bouton CONFIRM/MENU (CONFIRMER/MENU).

3. De nouveau, utiliser les flèches (< >) pour naviguer jusqu'à « All Sounds » (Tous les sons), et appuyer sur le bouton CONFIRM/MENU (CONFIRMER/MENU).
4. Une fois encore, utiliser les flèches (< >) pour naviguer jusqu'à « Off » (Arrêt), et appuyer sur le bouton CONFIRM/MENU (CONFIRMER/MENU).

Signaux sonores de minuteries et d'alertes

Active ou désactive les signaux sonores émis à la fin d'un programme.

1. Appuyer sur la touche Settings (Réglages), puis sur les flèches (< >) jusqu'à ce que « Preferences » (Préférences) s'affiche à l'écran, puis appuyer sur la touche CONFIRM/MENU (CONFIRMER/MENU).
2. Utiliser les flèches (< >) pour naviguer jusqu'à « Sound Volume » (Volume sonore), puis appuyer sur le bouton CONFIRM/MENU (CONFIRMER/MENU).
3. De nouveau, utiliser les flèches (< >) pour naviguer jusqu'à « Timers & Alerts » (Minuterie et alertes), et appuyer sur le bouton CONFIRM/MENU (CONFIRMER/MENU).
4. Une fois encore, utiliser les flèches (< >) pour naviguer jusqu'au réglage souhaité (élevée, moyen, etc.) et appuyer sur le bouton CONFIRM/MENU (CONFIRMER/MENU).

Sons des touches

Active ou désactive les signaux sonores lorsqu'on appuie sur une touche.

1. Appuyer sur la touche Settings (Réglages), puis sur les flèches (< >) jusqu'à ce que « Preferences » (Préférences) s'affiche à l'écran, puis appuyer sur la touche CONFIRM/MENU (CONFIRMER/MENU).
2. Utiliser les flèches (< >) pour naviguer jusqu'à « Sound Volume » (Volume sonore), puis appuyer sur le bouton CONFIRM/MENU (CONFIRMER/MENU).
3. De nouveau, utiliser les flèches (< >) pour naviguer jusqu'à « Buttons & Effects » (Boutons et effets), et appuyer sur le bouton CONFIRM/MENU (CONFIRMER/MENU).
4. Une fois encore, utiliser les flèches (< >) pour naviguer jusqu'au réglage souhaité (élevée, moyen, etc.) et appuyer sur le bouton CONFIRM/MENU (CONFIRMER/MENU).

Horloge 12/24 heures

1. Appuyer sur la touche Settings (Réglages), puis sur les flèches (< >) jusqu'à ce que « Preferences » (Préférences) s'affiche à l'écran, puis appuyer sur la touche CONFIRM/MENU (CONFIRMER/MENU).
2. Utiliser les flèches (< >) pour naviguer jusqu'à « Language & Regional » (langue et région), puis appuyer sur le bouton CONFIRM/MENU (CONFIRMER/MENU).
3. De nouveau, utiliser les flèches (< >) pour naviguer jusqu'à « Time Format » (Format de l'heure), et appuyer sur le bouton CONFIRM/MENU (CONFIRMER/MENU).
4. Une fois encore, utiliser les flèches (< >) pour naviguer jusqu'au réglage souhaité (12 ou 24 h) et appuyer sur le bouton CONFIRM/MENU (CONFIRMER/MENU).

Mode de Demo (Démonstration)

IMPORTANT : Destinée au personnel en magasin, cette fonction permet, avec un raccordement au secteur à 120 V, de présenter les fonctions des commandes sans pour autant activer les éléments chauffants. Si cette fonction est activée, le four ne fonctionnera pas.

1. Appuyer sur la touche Settings (réglages), puis sur les flèches (< >) jusqu'à ce que « Info » (Informations) s'affiche à l'écran, puis appuyer sur la touche CONFIRM/MENU (CONFIRMER/MENU).
2. Utiliser les flèches (< >) pour naviguer jusqu'à « Demo mode » (Mode de démonstration), et appuyer sur le bouton CONFIRM/MENU (CONFIRMER/MENU).

3. Une fois encore, utiliser les flèches (< >) pour naviguer jusqu'au réglage souhaité (Marche ou Arrêt) et appuyer sur le bouton CONFIRM/MENU (CONFIRMER/MENU).

Mode Sabbath (Sabbat)

Le mode Sabbath (Sabbat) permet au four de continuer à fonctionner sur un réglage de cuisson au four jusqu'à ce qu'on l'éteigne.

Lorsque le Sabbath Mode (Mode Sabbath) est réglé, seul le programme Bake (Cuisson au four) fonctionne. Tous les autres programmes de cuisson et de nettoyage sont désactivés. Aucun signal sonore ne retentit et les affichages n'indiquent pas les changements de température.

Lorsque la porte du four est ouverte ou fermée, la lampe du four ne s'allume ou ne s'éteint pas et les éléments de chauffage ne s'allument ou ne s'éteignent pas immédiatement.

Activation/désactivation du mode Sabbath (Sabbat)

1. Appuyer sur la touche Settings (Réglages), puis sur les flèches (< >) jusqu'à ce que « Preferences » (Préférences) s'affiche à l'écran, puis appuyer sur la touche CONFIRM/MENU (CONFIRMER/MENU).
2. Utiliser les flèches (< >) pour naviguer jusqu'à « Sabbath Mode » (Mode Sabbath), puis appuyer sur le bouton CONFIRM/MENU (CONFIRMER/MENU).
3. Appuyer une fois sur CONFIRM/MENU (CONFIRMER/MENU) pour faire apparaître les réglages du mode Sabbath (Sabbat) à l'écran. Le mode Sabbath (Sabbat) reste activé pendant 72 heures à moins d'être désactivé manuellement.
4. Appuyez longuement sur le bouton Cancel (Annulation) pour désactiver le mode Sabbath.

Sabbath Bake (Cuisson au four Sabbath)

1. Appuyer sur la touche Settings (Réglages), puis sur les flèches (< >) jusqu'à ce que « Preferences » (Préférences) s'affiche à l'écran, puis appuyer sur la touche CONFIRM/MENU (CONFIRMER/MENU).
2. Utiliser les flèches (< >) pour naviguer jusqu'à « Sabbath Mode » (Mode Sabbath), puis appuyer sur le bouton CONFIRM/MENU (CONFIRMER/MENU).
3. Utiliser les flèches (< >) pour naviguer jusqu'à « Sabbath Mode » (Mode Sabbath), puis appuyer sur le bouton CONFIRM/MENU (CONFIRMER/MENU).
4. Lire et suivre les instructions affichées pendant Sabbath Bake (Cuisson au four Sabbath) et appuyer sur le bouton CONFIRM/MENU (CONFIRMER/MENU).
5. Régler la température Sabbath Bake (Cuisson au four Sabbath) à l'aide des touches fléchées (< >) ou des touches numériques. Appuyer ensuite sur le bouton START (MISE EN MARCHÉ) pour démarrer la cuisson au four.

Langues : Menu d'affichage déroulant

Les options de langue sont l'anglais, l'espagnol et le français.

1. Appuyer sur la touche Settings (Réglages), puis sur les flèches (< >) jusqu'à ce que « Preferences » (Préférences) s'affiche à l'écran, puis appuyer sur la touche CONFIRM/MENU (CONFIRMER/MENU).
2. Utiliser les flèches (< >) pour naviguer jusqu'à « Language & Regional » (langue et région), puis appuyer sur le bouton CONFIRM/MENU (CONFIRMER/MENU).
3. De nouveau, utiliser les flèches (< >) pour naviguer jusqu'à « Language » (Langue), et appuyer sur le bouton CONFIRM/MENU (CONFIRMER/MENU).
4. Une fois encore, utiliser les flèches (< >) pour naviguer jusqu'au réglage souhaité (anglais, français ou espagnol) et appuyer sur le bouton CONFIRM/MENU (CONFIRMER/MENU).

Commande de décalage de température du four

IMPORTANT : Ne pas utiliser de thermomètre pour mesurer la température du four. Les éléments chauffants s'allument et s'éteignent en alternance pour maintenir une température constante, mais leur température peut varier légèrement dans un sens ou dans l'autre du fait de cette alternance. De nombreux thermomètres réagissent lentement à un changement de température, et ne donneront pas une mesure exacte du fait de cette alternance.

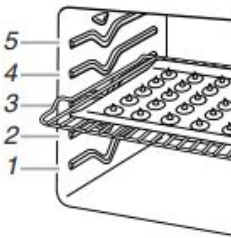
Le four fournit des températures précises; toutefois, il peut cuire plus rapidement ou plus lentement que votre ancien four, c'est pourquoi la température peut être réglée à vos besoins de cuisson. Elle peut être modifiée en degrés Fahrenheit ou Celsius.

Réglage de la température du four :

1. Appuyer sur la touche Settings (Réglages), puis sur les flèches (< >) jusqu'à ce que « Preferences » (Préférences) s'affiche à l'écran, puis appuyer sur la touche CONFIRM/MENU (CONFIRMER/MENU).
2. Utiliser les flèches (< >) pour naviguer jusqu'à « Temperature Calibration » (Étalonnage de la température), puis appuyer sur le bouton CONFIRM/MENU (CONFIRMER/MENU).
3. Utiliser les flèches (< >) et le bouton CONFIRM/MENU (CONFIRMER/MENU) pour modifier les réglages de température selon les besoins.

Positionnement des grilles et des ustensiles de cuisson au four

Utiliser l'illustration suivante comme guide.



Positions de grille

Grille 5 : Faire griller du pain ou des aliments peu épais et sans matières grasses

Grille 4 : Panier à friture à l'air, cuisson au four et cuisson au gril sur deux grilles

Grille 3 : La plupart des aliments cuits au four sur une tôle à biscuits, un moule à muffins ou une tôle à roulés; les gâteaux à étages; ainsi que le rôtissage de morceaux de poulet

Grille 2 : Tartes, mets en sauce, pain à levure, pains éclairs, plats surgelés et cuisson sur deux grilles

Grille 1 : Pour le rôtissage de grands et petits morceaux de viande et de volaille

Ustensiles de cuisson au four

L'air chaud doit pouvoir circuler autour de l'aliment pour le cuire uniformément. Laisser 2 po (5 cm) entre les ustensiles de cuisson et les parois du four. S'assurer qu'aucun ustensile de cuisson ne se trouve directement au-dessus d'un autre.

Cuisson sur plusieurs grilles

Deux grilles : Utiliser les positions de grille 2 et 4.

Panier à friture à l'air

Un des éléments qui rend la friture à l'air si efficace pour rendre les aliments croustillants est le panier perforé conçu pour la friture à l'air. Le panier à friture à l'air permet à l'air chaud de bien circuler sur toute la surface des aliments. Lorsque la fonction Air Fry (Friture à l'air) est utilisée, placer le panier de friture à l'air sur une grande plaque à pâtisserie pour ramasser les miettes, l'huile et réduire la production de fumée. Placer le panier et la plaque sur la grille 4 du four. Consulter les sections Positionnement des grilles et des ustensiles de cuisson au four du guide des commandes ou du guide du produit pour obtenir plus de détails. Éviter d'utiliser plus d'un panier pour éviter la cuisson irrégulière.

Baking and Roasting (Cuisson au four et rôtissage)

Temperature Management System (Système de gestion de la température)

Le système de gestion de la température contrôle électroniquement les niveaux de température du four durant le préchauffage et la cuisson afin de maintenir une gamme précise de températures pour des résultats de cuisson optimaux. Les éléments de cuisson au four et au gril ou les brûleurs s'allument et s'éteignent en alternance. Sur certains modèles, le ventilateur fonctionne pendant le préchauffage et peut s'allumer et s'éteindre pendant de courts intervalles dans le mode Bake (Cuisson au four) afin de produire un meilleur résultat. Ce comportement est automatique lorsque le four est utilisé.

Avant la cuisson au four et le rôtissage, placer les grilles comme indiqué à la section « Positionnement des grilles et des ustensiles de cuisson au four ». Lors du rôtissage, il n'est pas nécessaire d'attendre la fin du programme de préchauffage du four avant de placer les aliments, sauf si la recette le recommande.

Préchauffage

Au début d'un programme de Bake (Cuisson au four), le four commence par un préchauffage une fois que la touche Start (mise en marche) est enfoncée. Le four prend environ 12 à 15 minutes pour atteindre 350 °F (177 °C) lorsque toutes les grilles fournies avec le four sont à l'intérieur du four. Pour atteindre une température plus élevée, le préchauffage est plus long. Le programme de préchauffage augmente rapidement la température du four. La température réelle du four dépasse alors la température programmée, pour compenser la chaleur perdue à l'ouverture du four pour y introduire le plat à cuire. Ainsi, le four entame la cuisson à la température correcte après y avoir placé le plat. Placer les aliments au four lorsque le signal sonore de préchauffage retentit. Ne pas ouvrir la porte du four pendant le préchauffage tant que le signal sonore n'a pas retenti.

Rapid Preheat (Préchauffage rapide)

La fonction Rapid Preheat (Préchauffage rapide) peut servir à réduire la durée de préchauffage. Durant le préchauffage rapide, seule une grille doit se trouver dans le four. Les autres grilles doivent être retirées avant de démarrer le préchauffage rapide. Le programme de préchauffage doit être terminé avant de placer de la nourriture dans le four. Une fois le programme Rapid Preheat (Préchauffage rapide) terminé, le four commence un programme normal de cuisson au four.

IMPORTANT : La fonction Rapid Preheat (Préchauffage rapide) doit être utilisée uniquement pour la cuisson au four sur une seule grille.

Température du four

En cours d'utilisation, les éléments chauffants du four s'allument et s'éteignent en alternance pour maintenir une température constante, mais leur température peut varier légèrement dans un sens ou dans l'autre du fait de cette alternance. L'ouverture de la porte du four en cours d'utilisation laisse échapper l'air chaud et refroidit le four, ce qui peut modifier la durée nécessaire et le résultat de la cuisson. Pour suivre l'avancement de la cuisson, il est conseillé d'utiliser l'éclairage du four.

No Preheat (Pas de préchauffage)

Le programme No Preheat (Pas de préchauffage) règle automatiquement le temps de cuisson du fabricant en combinant le préchauffage et la cuisson, pour offrir sans attente de bons résultats avec les plats congelés. Il est possible de choisir parmi six options de programmes pour aliments : Pizza and Lasagna (Pizza et Lasagne). Le programme No Preheat (Pas de préchauffage) est conçu pour ne fonctionner qu'avec ces aliments. Lors de l'utilisation du programme No Preheat (Pas de préchauffage), il est important de respecter toutes les instructions du fabricant, incluant la ventilation et le fait de recouvrir les aliments, de les mélanger ou de les poser sur une plaque à pâtisserie pour obtenir de bons résultats. Lors de la préparation de plats congelés, ne cuire que des aliments munis d'instructions pour un four conventionnel. Placer le plat au centre de la grille et sélectionner l'une des positions de grille recommandées pour le programme No Preheat (Pas de préchauffage) dans la section « Positionnement des grilles et ustensiles de cuisson au four ». Ne faire cuire qu'un plat ou une plaque à la fois. Utiliser la température et le temps de cuisson minimum indiqué sur l'emballage.

Une tonalité vous indiquera de vérifier le degré de cuisson avant la fin du temps de cuisson et à la fin du temps de cuisson. L'affichage vous demandera d'ajouter du temps de cuisson, si désiré ou selon le besoin, à la fin du programme.

Cuisson au gril

Pour la cuisson au gril, préchauffer le four pendant 5 minutes avant d'y placer des aliments, à moins que la recette ne recommande autre chose. Placer l'aliment sur la grille de la lèchefrite, puis placer celle-ci au centre de la grille du four.

IMPORTANT : Fermer la porte pour une température de cuisson au gril adéquate.

Le changement de température lors de la cuisson au gril permet un contrôle plus précis de la cuisson. Plus le réglage du gril est bas, plus la cuisson est lente. Les morceaux épais et de forme irrégulière de viande, de poisson et de volaille cuisent mieux à des réglages de gril plus bas. Utiliser les grilles 6 ou 7 pour la cuisson au gril. Consulter la section « Positionnement des grilles et des ustensiles de cuisson » pour plus d'informations.

■ Pour de meilleurs résultats, utiliser une lèchefrite et une grille. La grille est conçue pour laisser s'écouler les jus et aider à éviter les éclaboussures et la fumée.

Il est possible de commander une lèchefrite. Consulter le Guide de démarrage rapide pour obtenir les coordonnées.

REMARQUE : Des odeurs et de la fumée sont normales lorsque le four est utilisé les premières fois, ou lorsqu'il est très sale.

Air Frying (Friture à l'air)

Pendant l'utilisation de la friture à l'air, les éléments de chauffage et le ventilateur s'allument et s'éteignent par intermittence pour maintenir la température du four tandis que le ventilateur fait circuler l'air chaud. Fermer la porte du four pour une température de cuisson adéquate.

IMPORTANT : La durée de cuisson, les températures et les instructions générales peuvent varier selon la recette.

La friture à l'air dans un grand four permet de simultanément frire à l'air une grande quantité d'aliments, mais il faut s'attendre à une plus longue durée de cuisson.

- Lors de l'utilisation de la friture à l'air, les aliments doivent être disposés en une seule couche et espacés uniformément.
- Consulter les instructions sur l'emballage des aliments pour connaître la durée et la température de cuisson par friture à l'air dans un four conventionnel.
- Pour des recettes avec des aliments frais dont la durée de cuisson dépasse 30 minutes, un préchauffage de 5 à 10 minutes est recommandé.
- Pour les aliments surgelés, avec os ou épais dont la durée de cuisson est inférieure à 15 minutes, une durée supplémentaire pourrait être nécessaire.

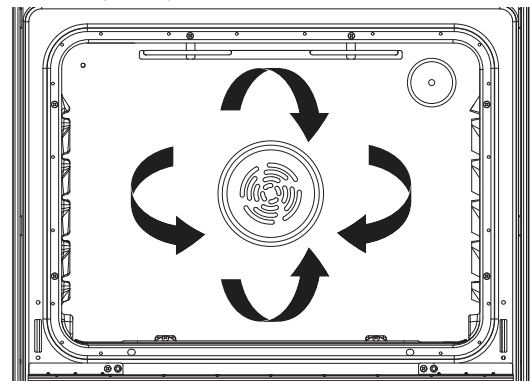
- Il n'est pas recommandé de faire frire une pâte mouillée avec la friture à l'air.
- Pour obtenir les meilleurs résultats, mélanger ou tourner les aliments à la moitié de la durée de cuisson. S'assurer de fermer la porte du four après avoir enlevé et insérant les aliments dans le four.
- Vaporiser le panier à friture à l'air d'huile pour éviter que les aliments y collent.

REMARQUE : Les aliments gras peuvent produire de la fumée pendant le programme de friture à l'air. L'utilisation adéquate du panier à friture à l'air et de la plaque à pâtisserie aidera à réduire la quantité de fumée produite. Maintenir le four et la plaque à pâtisserie propre aidera aussi à réduire la quantité de fumée.

Air Cooking (Cuisson à l'air)

Durant les programmes de Air Cooking (Cuisson à l'air), les brûleurs de cuisson s'allument et s'éteignent par intermittence tandis que le ventilateur fait circuler l'air chaud. Ce déplacement de l'air chaud aide à maintenir une température constante dans tout le four, ce qui permet de cuire les aliments plus uniformément, de faire croustiller la surface des aliments tout en conservant leur humidité naturelle et de donner des pains plus croustillants.

IMPORTANT : La cuisson à l'air permet de cuire la majorité des aliments à une température plus basse ou moins longtemps. Cette cuisinière réduit automatiquement les températures réglées du four de 25 °F (15 °C) pour la cuisson à l'air.



Si la porte du four est ouverte durant la cuisson par convection, le ventilateur s'éteint immédiatement. Il s'allume à nouveau lorsque la porte du four est fermée.

REMARQUE : La porte du four doit être fermée pour la cuisson au gril à l'air.

Options

Air Bake (Cuisson au four à l'air) : Cuisson au four sur plusieurs grilles de biscuits, pains, plats en sauce, tartes, tourtes et gâteaux.

Air Roast (Rôtissage à l'air) : Poulets ou dindes entiers, légumes, rôtis de porc, rôtis de bœuf.

Air Broil (Cuisson au gril à l'air) : Morceaux plus épais ou inégaux de viande, de poisson ou de volaille.

Levée du pain

La levée du pain prépare la pâte pour la cuisson en activant la levure. Suivre les instructions de la recette comme guide. La levée doit être utilisée pour les pâtes fraîches, les pâtes surgelées et pour la première et la deuxième levée.

Faire lever la pâte :

Avant la première levée de pain, placer la pâte dans un saladier légèrement graissé et couvrir sans serrer avec du papier ciré recouvert de graisse alimentaire. Placer sur la glissière de grille 2 et fermer la porte du four.

REMARQUE : Si la température du four est supérieure à 115 °F (46 °C), « Oven Cooling » (Refroidissement four) s'affiche jusqu'à ce que la température retombe en dessous de 115 °F (46 °C).

Guía de controles de la estufa autónoma a gas

GUÍA DE FUNCIONES

ADVERTENCIA: A fin de reducir el riesgo de incendio, choque eléctrico o lesiones personales, lea las INSTRUCCIONES IMPORTANTES DE SEGURIDAD que se encuentran en el Manual del propietario, antes de usar el electrodoméstico.

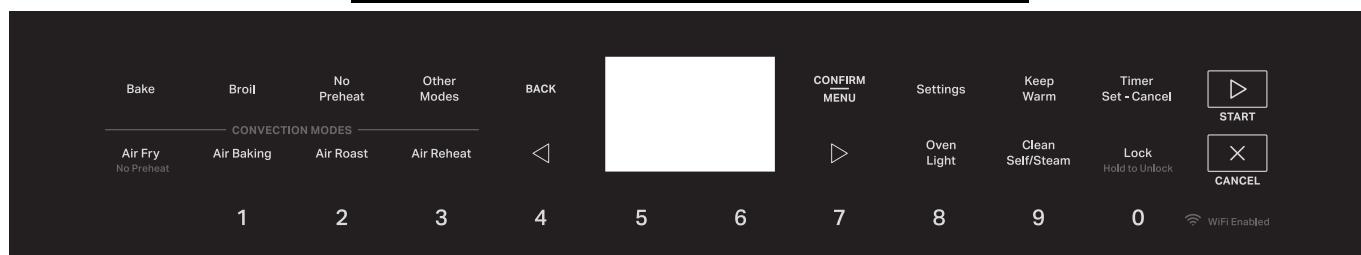
Estas instrucciones describen varios modelos. Su modelo puede contar con algunos o todos los elementos enumerados. Consulte este manual para obtener instrucciones más detalladas o la sección de Preguntas frecuentes (FAQ) de nuestro sitio web en www.whirlpool.com/owners para instrucciones más detalladas. En Canadá, consulte la sección de Servicio al cliente en www.whirlpool.ca/owners.

⚠ ADVERTENCIA

Peligro de intoxicación alimentaria

No deje sus alimentos en el horno por más de una hora antes o después de su cocción.

No seguir esta instrucción puede ocasionar intoxicación alimentaria o enfermedad.



BOTÓN	FUNCIÓN	INSTRUCCIONES
START (INICIO)	Inicio de cocción	El botón START (INICIO) inicia cualquier función del horno.
CANCEL (CANCELAR)	Función de la estufa	El botón CANCEL (CANCELAR) detiene cualquier función del horno apropiado excepto el reloj y el temporizador.
CONFIRM/MENU (CONFIRMAR/MENÚ)	Confirmar o menú adicional	El botón CONFIRM/MENU (CONFIRMAR/MENÚ) confirma la selección de la opción y también proporciona un menú adicional dentro de una función específica.
BACK (ATRÁS)	Volver a la pantalla anterior	El botón BACK (ATRÁS) ayuda a navegar de vuelta a la pantalla del menú anterior.
Settings (Ajustes)	Ajustes	Settings (Ajustes) permite adaptar los tonos audibles y el funcionamiento del horno a sus necesidades. Consulte la sección "Controles electrónicos del horno".
Bake (Hornear)	Hornear y asar	<ol style="list-style-type: none"> 1. Presione Bake (Hornear). 2. Presione los botones numéricos o <> para fijar la temperatura deseada. Si la temperatura que se ingresó no está dentro del rango de temperaturas permitidas, aparecerá la temperatura mínima o máxima permitida. Ingrese una temperatura dentro del rango permitido. 3. Presione START (INICIO). 4. Para cambiar la temperatura o el tiempo de cocción, presione CONFIRM/MENU (CONFIRMAR/MENÚ). Use los botones <> y CONFIRM/MENU (CONFIRMAR/MENÚ) para seleccionar y fijar la temperatura o el tiempo de cocción. 5. Presione CANCEL (CANCELAR) cuando haya terminado.
Broil (Asar a la parrilla)	Asar a la parrilla	<ol style="list-style-type: none"> 1. Presione Broil (Asar a la parrilla). 2. Seleccione la temperatura de asado a la parrilla (Low, Medium, High [Baja, Media, Alta]) presionando los botones <>. 3. Presione START (INICIO). 4. Para cambiar la temperatura o el tiempo de cocción, presione CONFIRM/MENU (CONFIRMAR/MENÚ). Use los botones <> y CONFIRM/MENU (CONFIRMAR/MENÚ) para seleccionar y fijar la temperatura o el tiempo de cocción. 5. Presione CANCEL (CANCELAR) cuando haya terminado.

BOTÓN	FUNCIÓN	INSTRUCCIONES
No Preheat (Sin precalentamiento)	Alimentos previamente empaquetados	<ol style="list-style-type: none"> 1. Presione No Preheat (Sin precalentamiento); para cocinar pizza, seleccione Frozen Pizza (Pizza congelada); para lasaña congelada, seleccione Frozen Lasagna (Lasaña congelada) utilizando los botones <>. 2. Ubique los alimentos en una parrilla plana del horno en la posición de parrilla 3. Consulte la sección “Colocación de las parrillas y los utensilios para hornear”. NOTA: Cocine solo 1 paquete de alimentos congelados. 3. Presione CONFIRM/MENU (CONFIRMAR/MENÚ). Utilice los botones <> y CONFIRM/MENU (CONFIRMAR/MENÚ) para seleccionar y ajustar la temperatura tal y como se recomienda en el paquete del alimento. 4. Presione el botón START (INICIO). La estufa calculará el tiempo de cocción óptimo con base en la temperatura real del horno. 5. Para cambiar la temperatura o el tiempo de cocción, presione CONFIRM/MENU (CONFIRMAR/MENÚ). Use los botones <> y CONFIRM/MENU (CONFIRMAR/MENÚ) para seleccionar y fijar la temperatura o el tiempo de cocción. 6. Presione el botón CANCEL (CANCELAR) cuando haya finalizado.
Other Modes (Otros modos)	Explorar otros modos de cocción	Utilice OTHER MODES (OTROS MODOS) para explorar más modos de cocción.
Air Fry (Freír sin aceite)	Freír sin aceite	<ol style="list-style-type: none"> 1. Coloque los alimentos directamente en la cavidad del horno. Consulte la sección Colocación de las parrillas y los utensilios para hornear para obtener más información. 2. Presione Air Fry (Freír sin aceite). A continuación, presione CONFIRM/MENU (CONFIRMAR/MENÚ). 3. Ingrese la temperatura deseada con los botones numéricos o <>. Sonará un tono si la temperatura introducida es demasiado baja o demasiado alta. 4. Presione el botón START (INICIO). No hay precalentamiento ni tono de precalentamiento. 5. Para cambiar la temperatura, repita el paso 2. Presione START (INICIO). 6. Presione CANCEL (CANCELAR) cuando haya terminado. <p>NOTA: El ventilador y los elementos se apagarán cuando se abra la puerta del horno hasta que esta se cierre. Todos los temporizadores, incluidas las funciones activas de Cook Time (Tiempo de cocción) y Timed Cook (Cocción programada), continuarán la cuenta regresiva.</p>
Air Baking (Hornear con aire)	Hornear con aire	<ol style="list-style-type: none"> 1. Presione Air Bake (Hornear con aire). 2. Presione los botones numéricos o <> para fijar la temperatura deseada. Presione el botón START (INICIO). Comenzará el precalentamiento. 3. Inserte el alimento cuando corresponda. 4. Para cambiar la temperatura o el tiempo de cocción, presione CONFIRM/MENU (CONFIRMAR/MENÚ). Use los botones <> y CONFIRM/MENU (CONFIRMAR/MENÚ) para seleccionar y fijar la temperatura o el tiempo de cocción. 5. Presione CANCEL (CANCELAR) cuando haya terminado.
Air Roast (Asar al aire)	Asado al aire	<ol style="list-style-type: none"> 1. Presione Air Roast (Asar al aire). 2. Utilice los botones numéricos y <> para seleccionar la temperatura deseada. 3. Presione el botón START (INICIO). 4. Para cambiar la temperatura o el tiempo de cocción, presione CONFIRM/MENU (CONFIRMAR/MENÚ). Use los botones <> y CONFIRM/MENU (CONFIRMAR/MENÚ) para seleccionar y fijar la temperatura o el tiempo de cocción. 5. Presione CANCEL (CANCELAR) cuando haya terminado.
Air Reheat (Recalentar al aire)	Recalentamiento	<ol style="list-style-type: none"> 1. Presione Air Reheat (Recalentar al aire). 2. Siga la información que aparece en la pantalla para colocar los alimentos dentro de la cavidad del horno. 3. Presione CONFIRM/MENU (CONFIRMAR/MENÚ) y ajuste el tiempo de cocción utilizando los botones numéricos o <>. 4. Presione START (INICIO). 5. Presione CANCEL (CANCELAR) cuando haya terminado.

BOTÓN	FUNCIÓN	INSTRUCCIONES
Keep Warm (Mantener caliente)	Mantener caliente	<p>Los alimentos deberán estar a la temperatura para ser servidos antes de colocarlos en el horno calentado.</p> <ol style="list-style-type: none"> 1. Presione Keep Warm (Mantener caliente). 2. La temperatura se ajusta en 170 °F (75 °C). Presione los botones numéricos o <> para fijar la temperatura deseada. 3. Presione START (INICIO). 4. Presione CANCEL (CANCELAR) cuando haya terminado. <p>NOTA: El ventilador se apagará cuando se abra la puerta del horno. Si la puerta del horno permanece abierta demasiado tiempo, los elementos calentadores se apagará hasta que se la cierre. Todos los temporizadores, incluidas las funciones activas de Cook Time (Tiempo de cocción) y Timed Cook (Cocción programada), continuarán la cuenta regresiva.</p>
Timer (Temporizador) Set - Cancel (Ajustar-Cancelar)	Temporizador del horno	<p>El temporizador se puede fijar en horas o minutos, hasta 24 horas.</p> <ol style="list-style-type: none"> 1. Presione Timer Set - Cancel (Ajustar/Cancelar temporizador) 2. Presione los botones numéricos para fijar la duración del tiempo en hr - hr - min - min. Los ceros a la izquierda no tienen que introducirse. Por ejemplo, para 2 minutos, introduzca "2". 3. Presione Timer Set - Cancel (Ajustar/Cancelar temporizador) para empezar la cuenta regresiva. Si se activa, sonará un tono al final de la cuenta regresiva. 4. Timer Set - Cancel (Ajustar/Cancelar temporizador) de nuevo para cancelar el temporizador y volver a la hora del día. No presione el botón CANCEL (CANCELAR), ya que al hacerlo se apagará el horno. 5. Si el temporizador está funcionando pero no aparece en la pantalla, presione Timer Set - Cancel (Ajustar/Cancelar temporizador) para que se muestre la cuenta regresiva durante 5 segundos.
Oven Light (Luz del horno)	Luz de la cavidad del horno	<p>La luz del horno se controla con un botón situado en el panel de control del horno. Mientras la puerta del horno está cerrada, presione el botón Oven Light (Luz del horno) para encender y apagar la luz. Cuando se abre la puerta del horno, la luz del horno se enciende automáticamente.</p>
Clean Self/Steam (Autolimpieza/vapor)	Ciclo de limpieza	<p>Consulte la sección "Ciclo de limpieza a vapor o autolimpieza" del manual del propietario.</p>
Lock (Bloqueo) (mantener presionado para desbloquear)	Bloqueo del control del horno/superficie de cocción	<p>Para acceder al bloqueo de controles del horno:</p> <ol style="list-style-type: none"> 1. Verifique que el horno esté apagado. 2. Presione Lock keypad (Bloquear teclado). 3. Sonará un tono y aparecerá el menú de bloqueo. Con los botones <>, seleccione la opción de bloqueo "Cooktop and Control Panel" (Superficie de cocción y panel de control) o "Cooktop" (Superficie de cocción) o "Control Panel" (Panel de control) y presione CONFIRM/MENU (CONFIRMAR/MENÚ) para bloquear. 4. Presione Lock (Bloqueo) durante 3 segundos para desbloquear. Cuando los controles estén bloqueados, no funcionará ningún botón.
Proof (Leudar)	Cómo leudar pan	<ol style="list-style-type: none"> 1. Coloque la masa preparada en el horno. Presione Other Modes (Otros modos). Utilice los botones <> para desplazarse hasta la opción Proof (Leudar) y presione CONFIRM/MENU (CONFIRMAR/MENÚ). 2. Presione los botones <> para seleccionar la temperatura de leudar y después presione START (INICIO). 3. Presione CANCEL (CANCELAR) cuando termine el leudado. <p>Consulte la sección "Cómo hacer leudar el pan" para obtener más información.</p>
Air Broil (Asar al aire)	Asar a la parrilla	<ol style="list-style-type: none"> 1. Presione Other Modes (Otros modos). Utilice los botones <> para desplazarse hasta la opción Air Broil (Asar a la parrilla con aire) y presione CONFIRM/MENU (CONFIRMAR/MENÚ). 2. Presione los botones <> para seleccionar la temperatura (High, Medium, Low [Alta, Media, Baja]). 3. Presione START (INICIO). 4. Presione CANCEL (CANCELAR) cuando la comida esté lista.
Keep Warm (Mantener caliente)	Mantener la comida caliente a una temperatura determinada	<ol style="list-style-type: none"> 1. Presione Other Modes (Otros modos). Utilice los botones <> para desplazarse hasta la opción Keep Warm (Mantener caliente) y presione CONFIRM/MENU (CONFIRMAR/MENÚ). 2. Presione los botones numéricos o <> para seleccionar la temperatura. 3. Presione START (INICIO). 4. Presione CANCEL (CANCELAR) cuando sea necesario.

Temperatura de la superficie

Cuando la estufa está en uso, todas las superficies pueden calentarse, incluidas las perillas y la puerta del horno.

Cajón de almacenamiento

Cuando el horno está en funcionamiento, es posible que el cajón se caliente. No guarde en el cajón objetos de plástico, paños ni otros objetos que pudieran derretirse o quemarse.

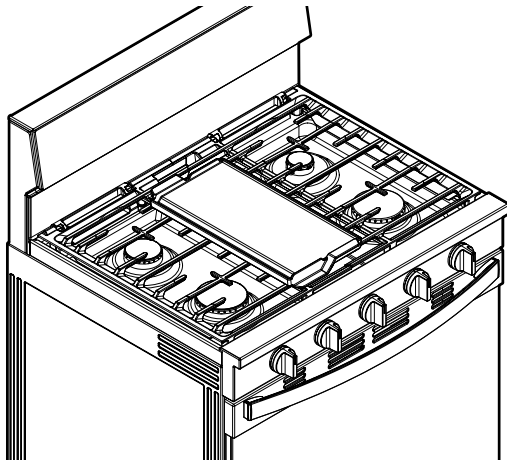
Ducto de ventilación del horno

El ducto de ventilación del horno libera aire caliente y humedad del horno y no debe bloquearse ni taparse. No coloque objetos de plástico, papel ni otros objetos que puedan derretirse o quemarse cerca del ducto de ventilación del horno.

Plancha o parrilla/plancha (en algunos modelos)

Para WFGS7530R*:

Para utilizar el accesorio de la plancha:



Plancha instalada sobre el quemador central

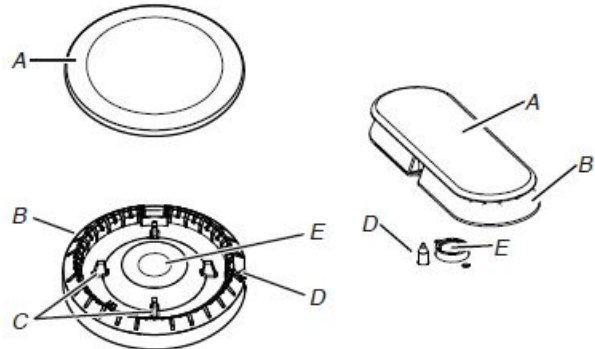
1. Coloque la plancha sobre el quemador central en las rejillas como se muestra. Las patas de ubicación en la base de la plancha engancharán las puntas de la rejilla para evitar que la plancha se deslice.
2. Antes de cada uso, cepíllela con una capa delgada de aceite de cocina para evitar que se peguen los alimentos. Los rociadores de cocina pueden dejar un residuo pegajoso en la plancha, la cual es difícil de quitar.
3. Caliente previamente la plancha durante 5 minutos. El precalentamiento lento de la plancha asegurará una distribución uniforme del calor y evitará que se deforme.
4. Para cocinar, ajuste el quemador central a la posición media para obtener el mejor rendimiento.

NOTA: Se recomienda utilizar la plancha solo en el quemador central.

Limpieza de la plancha:

Para los alimentos pegados, utilice una esponja de fregar suave o un cepillo con un jabón suave para eliminarlos y aclárelos con agua. Seque el agua restante para reducir la posibilidad de oxidación.

Quemadores de superficie



A. Tapa del quemador
B. Base del quemador
C. Espigas de alineación

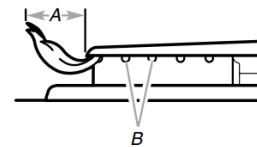
D. Encendedor
E. Abertura del tubo de gas

IMPORTANTE: No obstruya el flujo de aire de combustión y ventilación alrededor de los bordes de la rejilla del quemador.

Tapa del quemador: Siempre mantenga la tapa del quemador en su lugar cuando use un quemador de la superficie. Una tapa del quemador limpia ayudará a prevenir el encendido deficiente y las llamas desparejas. Siempre limpie la tapa del quemador después de un derrame, y quite y limpie periódicamente las tapas como se indica en la sección "Limpieza general".

Alineamiento: Asegúrese de alinear la abertura del tubo de gas en la base del quemador con el soporte de orificio en la superficie de cocción y el electrodo encendedor con la muesca en la base del quemador.

Abertura del tubo de gas: El gas debe fluir libremente a través de la abertura del tubo de gas para que el quemador se encienda como es debido. Mantenga esta zona libre de suciedad y no permita que ingresen derrames, alimentos, agentes de limpieza ni otros materiales a la abertura del tubo de gas. Para mantener los derrames lejos del tubo de gas, use siempre una tapa para los quemadores.



A. 1-1 1/2"
(2,5-3,8 cm)

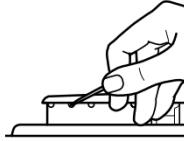
B. Orificios del quemador

Orificios del quemador: Revise las llamas del quemador ocasionalmente para fijarse que tengan el tamaño y la forma adecuados, como se muestra arriba. Una buena llama es de color azul, no amarillo. Mantenga esta zona libre de suciedad y no permita que ingresen derrames, alimentos, agentes de limpieza ni otros materiales en los orificios del quemador.

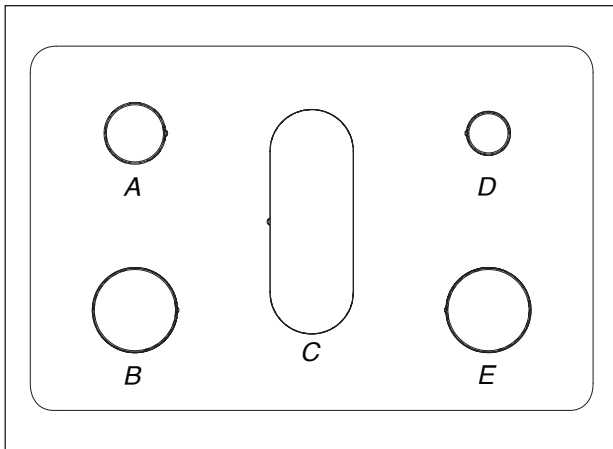
Para limpiar:

IMPORTANTE: Antes de la limpieza, asegúrese de que todos los controles estén apagados y que el horno y la superficie de cocción estén fríos. No use limpiadores para horno, cloro ni eliminadores de óxido.

1. Retire la tapa de la base del quemador y limpie como se indica en la sección "Limpieza general" en el Manual del propietario.
2. Limpie la abertura del tubo de gas con un paño húmedo.
3. Limpie los orificios del quemador obstruidos con un alfiler recto, como se muestra. No agrande ni distorsione los puertos. No use un palillo de dientes de madera. Si se debe regular el quemador, póngase en contacto con un especialista en reparación capacitado.

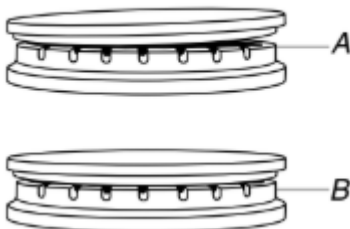


4. Vuelva a colocar la base del quemador. La base de cada quemador redondo está marcada con una letra que indica el tamaño del quemador. Vea la ilustración siguiente para las posiciones de los quemadores.



- A. Mediano (semirrápido)
- B. Grande (ultrarrápido)
- C. Ovalado (OV)
- D. Pequeño (auxiliar)
- E. Grande (ultrarrápido)

5. Vuelva a colocar la tapa del quemador y asegúrese de que las espigas de alineamiento estén debidamente alineadas con la tapa del quemador.



- A. Incorrecto
- B. Correcto

6. Coloque las tapas de los quemadores sobre las bases de los quemadores apropiados.

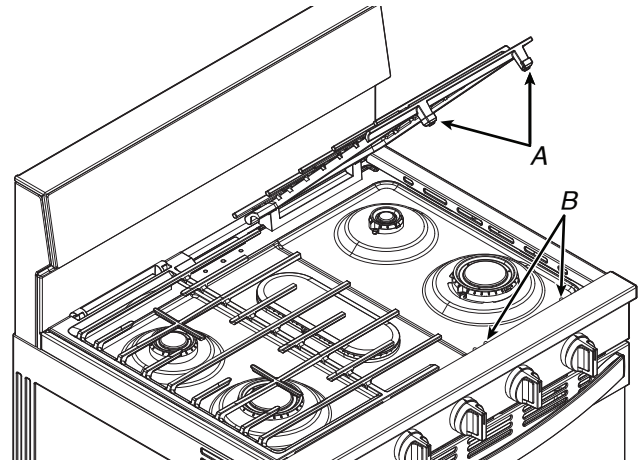
IMPORTANTE: Las bases de las tapas pequeñas e intermedias son distintas. No coloque una tapa de quemador sobre la base de quemador equivocada.



7. Encienda el quemador. Si el quemador no se enciende, verifique la alineación de la tapa. Si el quemador sellado igualmente no se enciende, no lo repare usted mismo. Comuníquese con un especialista en reparación competente.

Rejillas de hierro forjado con bisagras EZ-2-Lift™

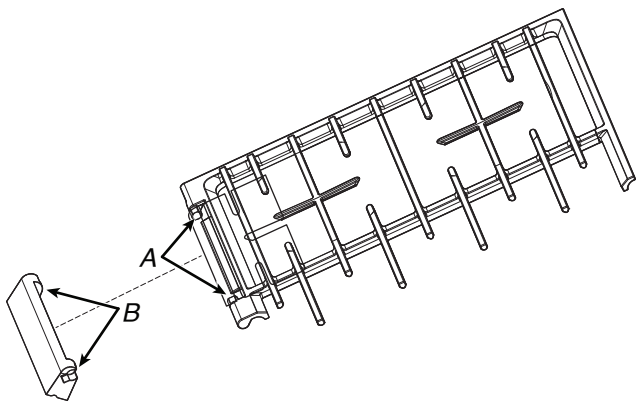
Las rejillas deben colocarse correctamente antes de cocinar. Cuando están bien colocadas, las rejillas deben quedar al ras y niveladas. La instalación incorrecta de las rejillas puede dar como resultado desportillados o rayas en la superficie de cocción. La superficie de cocción tiene rejillas con bisagras para facilitar la limpieza. Las rejillas se mueven hacia arriba y hacia la parte trasera de la superficie de cocción para otorgar un acceso fácil al área debajo de las rejillas. A medida que las rejillas giran hacia arriba, encajarán en un dispositivo de bloqueo que las mantendrá en posición vertical mientras se limpian. Estarán aproximadamente a 40 grados en la posición completamente abierta.



- A. Parachoques
- B. Hendiduras de alineación

Asegúrese de regresar las rejillas a su posición normal (abajo) una vez que se complete la limpieza. Las rejillas se pueden retirar para limpiar.

Para fijar las rejillas a sus bisagras, inserte el pasador de la rejilla en la ranura de la bisagra en la parte trasera de la superficie de cocción. Asegúrese de mantener la rejilla en ángulo sobre la superficie de cocción para evitar rayar la superficie de cocción hasta que la rejilla se asiente sobre el pasador de la bisagra. Después, coloque la rejilla sobre la superficie de cocción.



A. Ranura de la rejilla
B. Pasador de bisagra

A pesar de que las rejillas de los quemadores son duraderas, gradualmente perderán el brillo y/o cambiarán de color debido a las altas temperaturas de la llama de gas.

Utensilios de cocina

IMPORTANTE: no deje utensilios de cocina vacíos sobre una zona de cocción, un elemento o un quemador de superficie que estén calientes.

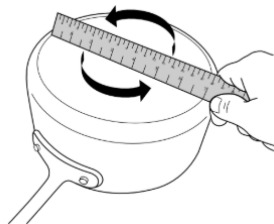
El utensilio de cocina ideal debe tener fondo plano, lados rectos y una tapa que encaje bien, y el material debe ser de grosor medio a pesado.

Los acabados ásperos pueden rayar la superficie de cocción o las rejillas. El aluminio y el cobre pueden usarse como centro o base del utensilio de cocina. Sin embargo, cuando se usan como base pueden dejar marcas permanentes en las rejillas.

El material de los utensilios de cocina es un factor que influye en la rapidez y la uniformidad con la que se transmite el calor, lo que afecta los resultados de la cocción. Un acabado antiadherente tiene las mismas características que su material de base. Por ejemplo, un utensilio de cocina de aluminio con acabado antiadherente tendrá las propiedades del aluminio.

No deben usarse utensilios de cocina con superficies antiadherentes bajo el asador.

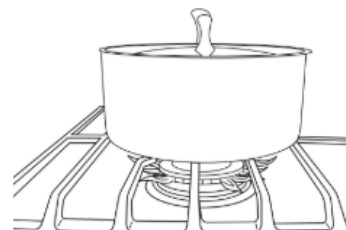
Verifique si el utensilio de cocina es plano colocando el borde recto de una regla a lo largo del fondo de este. Mientras rota la regla, no debe verse espacio ni luz entre la regla y el utensilio de cocina.



Utilice la siguiente tabla como guía para ver las características de los materiales de los utensilios de cocina.

Utensilios de cocina	Características
Aluminio	<ul style="list-style-type: none"> Se calienta de manera rápida y uniforme. Sirve para todos los tipos de cocción. Los espesores medianos o pesados son óptimos para la mayoría de las tareas de cocción. Puede dejar restos de aluminio que se pueden atenuar si se limpian inmediatamente después de la cocción.
Hierro fundido	<ul style="list-style-type: none"> Se calienta de manera lenta y uniforme. Es bueno para dorar y freír. Mantiene el calor para una cocción lenta. Los bordes ásperos o las rebabas podrían rayar la superficie de cocción.
Cerámica o vitrocerámica	<ul style="list-style-type: none"> Siga las instrucciones del fabricante. Se calienta de manera lenta, pero irregular. Da los mejores resultados en los ajustes de calor bajo a medio. Podría rayar la superficie de cocción.
Cobre	<ul style="list-style-type: none"> Se calienta de manera muy rápida y uniforme. Puede dejar residuos de cobre que se pueden atenuar si se limpian inmediatamente después de la cocción. Puede dejar manchas o adherencias permanentes en la superficie de cocción si se calienta en exceso.
Barro cocido	<ul style="list-style-type: none"> Siga las instrucciones del fabricante. Use con ajustes de calor bajos. Podría rayar la superficie de cocción.
Hierro fundido o acero con esmalte de porcelana	<ul style="list-style-type: none"> Vea acero inoxidable o hierro fundido. Los utensilios para hornear con esmalte de porcelana que no tengan la base de metal podrían pegarse a la superficie de cocción si se calientan en exceso.
Acero inoxidable	<ul style="list-style-type: none"> Se calienta de manera rápida, pero irregular. Un centro o una base de aluminio o cobre sobre acero inoxidable proporciona un calor uniforme.

Para obtener resultados óptimos, el utensilio deberá estar centrado encima del quemador con la base nivelada sobre la rejilla. Deberá regularse la llama para que no se eleve por los costados del recipiente.



Envasado casero

Al preparar envasados durante períodos prolongados, alterne el uso de los quemadores de superficie entre una tanda y otra. Esto da tiempo para que se enfríen las áreas que se han usado recientemente.

- Centre el recipiente para envasado sobre la rejilla, encima del quemador.
- No coloque el recipiente para envasado sobre 2 quemadores de superficie a la vez.
- Para obtener más información, póngase en contacto con la oficina de extensión del departamento de agricultura local o consulte guías para envasado casero publicadas. También pueden ofrecer ayuda las compañías que fabrican productos para envasado casero.

Uso del horno

Durante el funcionamiento normal de la estufa, se pueden oír diversos ruidos cada vez que se encienden los quemadores para hornear o asar durante el ciclo de cocción:

- Es posible que las válvulas de gas emitan un ligero sonido de “estallido” cuando se abren o se cierran.
- Los encendedores emitirán un chasquido varias veces hasta que se detecte una llama.
- Sonará un “puf” cuando se encienda el quemador de hornear o el de asar.

Los olores y el humo son normales cuando el horno se usa las primeras veces o cuando tiene suciedad profunda.

IMPORTANTE: La salud de algunas aves es sumamente sensible a los gases emanados. La exposición a las emanaciones puede ocasionar la muerte de ciertas aves. Siempre traslade las aves a otra habitación cerrada y bien ventilada.

NOTA: En algunos modelos: El ventilador se apagará cuando se abra la puerta del horno. Si la puerta del horno permanece abierta demasiado tiempo, los elementos calentadores se apagarán hasta que se la cierre. Todos los temporizadores, incluidas las funciones activas de Cook Time (Tiempo de cocción) y Timed Cook (Cocción programada), continuarán la cuenta regresiva.

Controles electrónicos del horno

Pantalla de control

La pantalla destellará cuando se encienda o después de un corte de corriente. Presione el botón CANCEL (CANCELAR) para borrar. Cuando el horno no está en uso, se muestra la hora del día.

Settings (Ajustes)

Muchas características del control del horno pueden regularse para satisfacer sus necesidades personales. Estos cambios se realizan mediante el botón Settings (Ajustes) o durante la configuración inicial del producto.

Presione el botón CANCEL (CANCELAR) para salir de Settings (Ajustes).

Fahrenheit and Celsius (Fahrenheit y Celsius)

1. Presione el botón Settings (Ajustes) y, a continuación, los botones de flecha (< >) hasta que aparezca “Preferences” (Preferencias) en la pantalla y, a continuación, presione el botón CONFIRM/MENU (CONFIRMAR/MENÚ).
2. Utilice los botones de flecha (< >) para navegar hasta “Language & Regional” (Idioma y regional) y, a continuación, presione el botón CONFIRM/MENU (CONFIRMAR/MENÚ).
3. De nuevo, utilice los botones de flecha (< >) para navegar hasta “Temperature Unit” (Unidades de temperatura), y presione el botón CONFIRM/MENU (CONFIRMAR/MENÚ).

4. Una vez más, utilice los botones de flecha (< >) hasta el ajuste deseado (Fahrenheit o Celsius) y, a continuación, presione el botón CONFIRM/MENU (CONFIRMAR/MENÚ).

Deshabilitar los tonos audibles

Apaga todos los tonos, incluso el tono de fin de ciclo y los tonos de los botones. Los tonos recordatorios permanecen activados cuando todos los tonos se han desactivado.

1. Presione el botón Settings (Ajustes) y, a continuación, los botones de flecha (< >) hasta que aparezca “Preferences” (Preferencias) en la pantalla y, a continuación, presione el botón CONFIRM/MENU (CONFIRMAR/MENÚ).
2. Utilice los botones de flecha (< >) para navegar hasta “Sound Volumes” (Volumen de sonido) y, a continuación, presione el botón CONFIRM/MENU (CONFIRMAR/MENÚ).
3. De nuevo, utilice los botones de flecha (< >) para navegar hasta “All Sounds” (Todos los sonidos), y presione el botón CONFIRM/MENU (CONFIRMAR/MENÚ).
4. Una vez más, utilice los botones de flecha (< >) para navegar hasta “Off” (Apag.) y, a continuación, presione el botón CONFIRM/MENU (CONFIRMAR/MENÚ).

Temporizadores y tono de alerta

Activa o apaga los tonos que se escuchan al final de un ciclo.

1. Presione el botón Settings (Ajustes) y, a continuación, los botones de flecha (< >) hasta que aparezca “Preferences” (Preferencias) en la pantalla y, a continuación, presione el botón CONFIRM/MENU (CONFIRMAR/MENÚ).
2. Utilice los botones de flecha (< >) para navegar hasta “Sound Volume” (Volumen de sonido) y, a continuación, presione el botón CONFIRM/MENU (CONFIRMAR/MENÚ).
3. De nuevo, utilice los botones de flecha (< >) para navegar hasta “Timers & Alerts” (Temporizadores y alertas), y presione el botón CONFIRM/MENU (CONFIRMAR/MENÚ).
4. Una vez más, utilice los botones de flecha (< >) hasta el ajuste deseado (High, Med, etc.) (Alto, Medio) y, a continuación, presione el botón CONFIRM/MENU (CONFIRMAR/MENÚ).

Tonos del botón

Permite activar o apagar los tonos que suenan al presionarse un botón.

1. Presione el botón Settings (Ajustes) y, a continuación, los botones de flecha (< >) hasta que aparezca “Preferences” (Preferencias) en la pantalla y, a continuación, presione el botón CONFIRM/MENU (CONFIRMAR/MENÚ).
2. Utilice los botones de flecha (< >) para navegar hasta “Sound Volume” (Volumen de sonido) y, a continuación, presione el botón CONFIRM/MENU (CONFIRMAR/MENÚ).
3. De nuevo, utilice los botones de flecha (< >) para navegar hasta “Buttons & Effects” (Botones y efectos), y presione el botón CONFIRM/MENU (CONFIRMAR/MENÚ).
4. Una vez más, utilice los botones de flecha (< >) hasta el ajuste deseado (High, Med, etc.) (Alto, Medio) y, a continuación, presione el botón CONFIRM/MENU (CONFIRMAR/MENÚ).

Reloj de 12/24 horas

1. Presione el botón Settings (Ajustes) y, a continuación, los botones de flecha (< >) hasta que aparezca “Preferences” (Preferencias) en la pantalla y, a continuación, presione el botón CONFIRM/MENU (CONFIRMAR/MENÚ).
2. Utilice los botones de flecha (< >) para navegar hasta “Language & Regional” (Idioma y regional) y, a continuación, presione el botón CONFIRM/MENU (CONFIRMAR/MENÚ).
3. De nuevo, utilice los botones de flecha (< >) para navegar hasta “Time Format” (Formato de hora), y presione el botón CONFIRM/MENU (CONFIRMAR/MENÚ).

- Una vez más, utilice los botones de flecha (< >) hasta el ajuste deseado (12 o 24hr) y, a continuación, presione el botón CONFIRM/MENU (CONFIRMAR/MENÚ).

Modo Demo (Demostración)

IMPORTANTE: Esta característica está destinada al uso en el salón de ventas con una conexión eléctrica de 120 V y permite demostrar las características de control sin que se enciendan los elementos calentadores. Si se activa esta característica, el horno no funcionará.

- Presione el botón Settings (Ajustes) y, a continuación, los botones de flecha (< >) hasta que aparezca "Info" (Información) en la pantalla y, a continuación, presione el botón CONFIRM/MENU (CONFIRMAR/MENÚ).
- Utilice los botones de flecha (< >) para navegar hasta "Demo mode" (Modo Demo) y, a continuación, presione el botón CONFIRM/MENU (CONFIRMAR/MENÚ).
- Una vez más, utilice los botones de flecha (< >) hasta el ajuste deseado (On [Enc.] u Off [Apag.]) y, a continuación, presione el botón CONFIRM/MENU (CONFIRMAR/MENÚ).

Modo Sabbath (Sabbat)

El modo Sabbath (Sabbat) fija el horno para que permanezca encendido con un ajuste para hornear hasta que se apague.

Cuando se fije el modo Sabbath (Sabbat), solamente funcionará el ciclo Bake (Hornear). Todos los demás ciclos de cocción y limpieza estarán deshabilitados. No sonará ningún tono y la pantalla no indicará los cambios de temperatura.

Cuando se abra o se cierre la puerta del horno, la luz no se encenderá ni apagará y los elementos calentadores no se encenderán ni apagará de inmediato.

Para activar/desactivar el modo Sabbath (Sabbat)

- Presione el botón Settings (Ajustes) y, a continuación, los botones de flecha (< >) hasta que aparezca "Preferences" (Preferencias) en la pantalla y, a continuación, presione el botón CONFIRM/MENU (CONFIRMAR/MENÚ).
- Utilice los botones de flecha (< >) para navegar hasta "Sabbath Mode" (Modo Sabbath) y, a continuación, presione el botón CONFIRM/MENU (CONFIRMAR/MENÚ).
- Presione CONFIRM/MENU (CONFIRMAR/MENÚ) una vez que la opción "Set Sabbath" (Ajustar Sabbath) aparezca en pantalla. El modo Sabbath (Sabbat) permanecerá activo durante 72 horas o hasta que se apague manualmente.
- Presione prolongadamente el botón Cancel (Cancelar) para desactivar el modo Sabbath (Sabbat).

Sabbath Bake (Hornear en Sabbath)

- Presione el botón Settings (Ajustes) y, a continuación, los botones de flecha (< >) hasta que aparezca "Preferences" (Preferencias) en la pantalla y, a continuación, presione el botón CONFIRM/MENU (CONFIRMAR/MENÚ).
- Utilice los botones de flecha (< >) para navegar hasta "Sabbath Mode" (Modo Sabbath) y, a continuación, presione el botón CONFIRM/MENU (CONFIRMAR/MENÚ).
- Utilice los botones de flecha (< >) para navegar hasta "Sabbath Bake" (Hornear en Sabbath) y, a continuación, presione el botón CONFIRM/MENU (CONFIRMAR/MENÚ).
- Lea y siga las instrucciones que aparecen en pantalla durante Sabbath Bake (Hornear en Sabbath) y presione el botón CONFIRM/MENU (CONFIRMAR/MENÚ).
- Ajuste la temperatura de Sabbath Bake (Hornear en Sabbath) utilizando los botones de flecha (< >) o el teclado numérico. Y, a continuación, presione el botón START (INICIO) para iniciar la cocción.

Idioma: Texto de desplazamiento de la pantalla

Las opciones de idioma son inglés, español y francés.

- Presione el botón Settings (Ajustes) y, a continuación, los botones de flecha (< >) hasta que aparezca "Preferences" (Preferencias) en la pantalla y, a continuación, presione el botón CONFIRM/MENU (CONFIRMAR/MENÚ).
- Utilice los botones de flecha (< >) para navegar hasta "Language & Regional" (Idioma y regional) y, a continuación, presione el botón CONFIRM/MENU (CONFIRMAR/MENÚ).
- De nuevo, utilice los botones de flecha (< >) para navegar hasta "Language" (Idioma), y presione el botón CONFIRM/MENU (CONFIRMAR/MENÚ).
- Una vez más, utilice los botones de flecha (< >) hasta el ajuste deseado (inglés, francés, español) y, a continuación, presione el botón CONFIRM/MENU (CONFIRMAR/MENÚ).

Control de compensación de la temperatura del horno

IMPORTANTE: No use un termómetro para medir la temperatura del horno. Los elementos se encenderán y se apagará según sea necesario para brindar una temperatura uniforme, pero es posible que se tornen ligeramente calientes o fríos a causa de este ciclo. La mayoría de los termómetros son lentos para reaccionar a los cambios de temperatura y no brindarán una lectura precisa a causa de este ciclo.

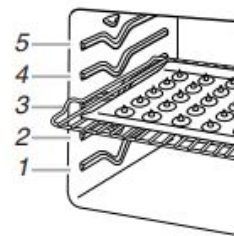
El horno proporciona temperaturas exactas; sin embargo, es posible que cocine más rápido o más despacio que su horno anterior, de manera que se puede ajustar la temperatura para adecuarla a sus necesidades de cocción. Puede cambiarse a Fahrenheit o a Celsius.

Para ajustar la temperatura del horno:

- Presione el botón Settings (Ajustes) y, a continuación, los botones de flecha (< >) hasta que aparezca "Preferences" (Preferencias) en la pantalla y, a continuación, presione el botón CONFIRM/MENU (CONFIRMAR/MENÚ).
- Utilice los botones de flecha (< >) para navegar hasta "Temperature Calibration" (Calibración de temperatura) y, a continuación, presione el botón CONFIRM/MENU (CONFIRMAR/MENÚ).
- Utilice los botones de flecha (< >) y CONFIRM/MENU (CONFIRMAR/MENÚ) para ajustar la temperatura según sea necesario.

Colocación de las parrillas y los utensilios para hornear

Use como guía la ilustración siguiente.



Posiciones de la parrilla:

Parrilla 5: Para tostar pan o asar alimentos de poco grosor y sin grasa.

Parrilla 4: Canasta para freír al aire, hornear y asar a la parrilla con dos parrillas

Parrilla 3: La mayoría de los alimentos horneados en bandeja para galletas, bandeja para panecillos o bandeja para galletas con lados y pasteles en capas; asado de pollo troceado.

Parrilla 2: Pasteles, guisos, pan con levadura, panes rápidos, alimentos precocidos congelados y horneado en dos parrillas

Parrilla 1: Asado de cortes grandes y pequeños de carne y aves

Utensilios para hornear

Para una cocción uniforme, el aire caliente debe poder circular. Deje 2" (5 cm) libres alrededor del utensilio para hornear y las paredes del horno. Asegúrese de que ningún utensilio para hornear esté directamente encima de otro.

Cocción en varias parrillas

Dos parrillas: Use las posiciones para parrilla 2 y 4.

Canasta para freír sin aceite

Parte de la eficacia de las freidoras sin aceite a la hora de freír los alimentos tiene que ver con la canasta perforada diseñada para ello. La canasta para freír sin aceite permite que el aire caliente circule por toda la superficie de los alimentos. Cuando utilice la función Air Fry (Freír sin aceite), coloque la canasta para freír sin aceite en la parte superior de una bandeja para hornear grande para recoger las migas, el aceite y mitigar el humo. Coloque la canasta y la lámina en la posición 4 de la parrilla del horno.

Consulte la sección Colocación de las parrillas y los utensilios para hornear en la Guía de control o en la Guía del producto para obtener más detalles. Evite usar más de una canasta para evitar que los alimentos se cocinen de forma dispereja.

Baking and Roasting (Hornear y asar)

Sistema de control de temperatura

El sistema de control de temperatura regula electrónicamente los niveles de calor del horno durante el precalentamiento y el horneado para mantener una temperatura precisa y obtener resultados de cocción óptimos. Los elementos o quemadores de horneado y asado a la parrilla se encienden y apagan a intervalos. En algunos modelos, el ventilador funcionará durante el precalentamiento y es posible que se encienda y apague durante intervalos breves durante el horneado para producir resultados óptimos. Esta función se activa automáticamente cuando el horno está en uso.

Antes de hornear o asar, coloque las parrillas de acuerdo con lo especificado en la sección "Colocación de las parrillas y los utensilios para hornear". Para asar, no es necesario esperar a que termine el ciclo de precalentamiento del horno antes de colocar los alimentos, a menos que la receta de cocina lo recomiende.

Precalentamiento

Cuando comience un ciclo Bake (Horneado), el horno empezará a precalentarse después de que se presione el botón Start (Inicio). El horno tardará de 12 a 15 minutos aproximadamente para alcanzar 350 °F (177 °C) con todas las parrillas de horno provistas con el horno dentro de la cavidad. Cuanto mayor sea la temperatura, más tiempo tomará precalentar el horno. El ciclo Preheat (Precalentamiento) aumenta rápidamente la temperatura del horno. La temperatura real del horno superará la temperatura fijada para compensar la pérdida de calor cuando se abra la puerta del horno para introducir los alimentos. Esto asegura que el horno comience a la temperatura correcta cuando se coloquen los alimentos en el horno. Introduzca el alimento cuando suene el tono de precalentamiento. No abra la puerta durante el precalentamiento antes de que suene el tono.

Rapid Preheat (Precalentamiento rápido)

Puede usarse Rapid Preheat (Precalentamiento rápido) para acortar el tiempo de precalentamiento. Deberá usarse solamente una parrilla estándar plana para horno durante Rapid Preheat (Precalentamiento rápido). Las parrillas adicionales deben quitarse antes de utilizar Rapid Preheat (Precalentamiento rápido). El ciclo de precalentamiento debe completarse antes de colocar los alimentos en el horno. Cuando haya terminado el ciclo de Rapid Preheat (Precalentamiento rápido), el horno pondrá en marcha un ciclo normal de horneado.

IMPORTANTE: El precalentamiento rápido se debe utilizar únicamente para hornear con una sola parrilla.

Temperatura del horno

Mientras estén en uso, los elementos del horno se encenderán y se apagarán según sea necesario para mantener una temperatura constante, pero es posible que se tornen ligeramente calientes o fríos a causa de este ciclo. Si se abre la puerta del horno mientras se encuentra en uso, saldrá el aire caliente y el horno se enfriará, lo que podría afectar el tiempo y el rendimiento de la cocción. Se recomienda usar la luz del horno para controlar el progreso de la cocción.

No Preheat (Sin precalentamiento)

No Preheat (Sin precalentamiento) ajusta automáticamente el tiempo de horneado del fabricante combinando el precalentamiento y el horneado para ofrecer excelentes resultados con alimentos congelados envasados sin tener que esperar. Se pueden elegir seis opciones preprogramadas para alimentos: Pizza (Pizza) y Lasagna (Lasaña). Ninguno de los ciclos No Preheat (Sin precalentamiento) ha sido personalizado para funcionar solo con estos alimentos. Cuando se utiliza No Preheat (Sin precalentamiento), es importante que siga todas las instrucciones del fabricante, incluyendo la ventilación, la cobertura, la mezcla o la colocación en una bandeja de hornear para garantizar un buen resultado. Al cocinar alimentos congelados, solo se deben cocinar los que contengan instrucciones para cocinarlos en un horno convencional. Coloque el recipiente en el centro de la parrilla y seleccione una de las posiciones de parrilla recomendadas para el horneado de congelados en la sección "Posición de las parrillas y los utensilios para hornear" y hornee un solo paquete o charola por vez. Utilice la temperatura y el tiempo de horneado mínimo recomendados en el paquete.

Un sonido le indicará que debe comprobar si los alimentos están hechos antes de que se complete el tiempo de cocción y nuevamente al finalizar el tiempo de cocción. La pantalla le indicará que agregue tiempo de cocción si desea o necesita para finalizar el ciclo.

Asar a la parrilla

Cuando ase a la parrilla, precaliente el horno durante 5 minutos antes de colocar los alimentos, a menos que se recomiende otra cosa en la receta. Coloque el alimento sobre la rejilla en un recipiente para asar y sitúela en el centro de la parrilla del horno.

IMPORTANTE: cierre la puerta para garantizar una temperatura adecuada para asar a la parrilla.

Para obtener un control más preciso al cocinar a la parrilla, cambie la temperatura mientras esté asando a la parrilla. Cuanto más bajo sea el ajuste de temperatura, más lenta será la cocción. Los cortes más gruesos y las piezas de carne, pescado y aves con forma irregular se pueden cocinar mejor con ajustes para asar a la parrilla más bajos. Use las parrillas 6 o 7 para asar a la parrilla. Consulte la sección "Posición de las parrillas y los utensilios para hornear" para obtener más información.

- Para obtener resultados óptimos, utilice un recipiente para asar y una parrilla. Están diseñados para drenar los jugos y ayudar a evitar salpicaduras y humo.

Si desea comprar un recipiente para asar, puede realizar un pedido. Para obtener información de contacto, consulte la Guía de inicio rápido.

NOTA: los olores y el humo son normales cuando el horno se usa las primeras veces o cuando tiene suciedad profunda.

Air Frying (Freír sin aceite)

Durante la fritura sin aceite, los elementos calefactores y el ventilador se encienden y apagan en intervalos para mantener la temperatura del horno mientras el ventilador hace circular el aire caliente. Cierre la puerta del horno para garantizar la temperatura adecuada.

IMPORTANTE: Los tiempos de cocción, las temperaturas y las instrucciones generales pueden variar según la receta.

Freír sin aceite en una cavidad de horno grande permite freír más alimentos a la vez, por lo que cabe esperar tiempos de horneado más largos.

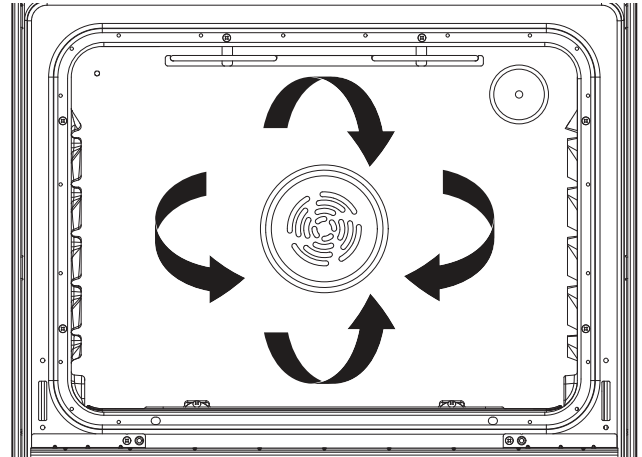
- Al freír sin aceite, los alimentos deben estar uniformemente espaciados en la canasta para freír sin aceite en una sola capa.
- Consulte las instrucciones de los alimentos envasados para hornear en horno convencional con respecto al tiempo y la temperatura para freír sin aceite.
- Para recetas de alimentos frescos con tiempos de cocción superiores a 30 minutos, se recomienda un precalentamiento de 5-10 minutos.
- Para alimentos congelados, con hueso o densos con tiempos de cocción de menos de 15 minutos, es posible que se requiera tiempo adicional.
- No se recomienda utilizar masa húmeda al freír sin aceite.
- Para obtener el mejor rendimiento, agite o voltee los alimentos a la mitad del tiempo de hornear. Asegúrese de cerrar la puerta del horno después de retirar e introducir los alimentos de nuevo en la cavidad.
- Rocíe la cesta para freír con aceite para evitar que los alimentos se peguen a esta.

NOTA: Los alimentos grasientos pueden producir humo durante el ciclo de fritura sin aceite. El uso adecuado de la canasta para freír sin aceite y de la bandeja para hornear ayudará a reducir la cantidad de humo producida. Mantener un horno y una bandeja para hornear limpios también ayudará a reducir la cantidad de humo.

Air Cooking (Cocción por aire)

Los ciclos de Air Cooking (Cocción por aire) encienden y apagan el quemador de horneado en intervalos mientras el ventilador hace circular el aire caliente. Este movimiento de aire caliente ayuda a mantener una temperatura uniforme en todo el horno, cocina los alimentos más uniformemente y deja las superficies crujientes a la vez que atrapa la humedad y hace que los panes salgan con cortezas más crujientes.

IMPORTANTE: Con la cocción por aire, la mayoría de los alimentos se pueden cocinar a una temperatura más baja o durante menos tiempo. Esta estufa reduce automáticamente la temperatura fijada del horno en 25 °F (15 °C) para la cocción con aire.



Si se abre la puerta del horno durante la cocción por convección, el ventilador se apagará de inmediato. Se encenderá nuevamente cuando cierre la puerta del horno.

NOTA: La puerta del horno debe estar cerrada para asar a la parrilla con aire.

Opciones

Air Baking (Hornear con aire): horneado en varias parrillas para galletas, bizcochos, panes, guisados, tartas, tortas y pasteles.

Air Roast (Asar con aire): pollo o pavo entero, verduras, asados de cerdo y de carne de res.

Air Broil (Asar a la parrilla con aire): cortes más gruesos o piezas de carne, pescado o ave de forma irregular

Cómo leudar pan

Al leudar el pan, la masa se prepara para el horneado activando la levadura. Siga las instrucciones de la receta como guía. El leudado estándar deberá usarse para la masa fresca, la masa descongelada y para el primer y segundo leudado.

Para leudar:

Antes del primer leudado, coloque la masa en un tazón ligeramente engrasado y cúbrala de modo flojo con papel encerado revestido de manteca. Coloque en la guía 2 de la parrilla y cierre la puerta del horno.

NOTA: Si la temperatura del horno es mayor de 115 °F (46 °C), la pantalla indicará "Oven Cooling" (Horno enfriándose) hasta que la temperatura esté por debajo de 115 °F (46 °C).