

ELECTRIC DRYER PRODUCT GUIDE
GUIDE D'UTILISATION DE LA SÉCHEUSE
ÉLECTRIQUE
GUÍA DE PRODUCTO DE LA SECADORA ELÉCTRICA

Table of Contents / Table des matières / Índice

OWNER'S MANUAL	3	GUIDE D'UTILISATION	30	MANUAL DEL PROPIETARIO	61
DRYER SAFETY	3	SÉCURITÉ DE LA SÈCHEUSE	30	SEGURIDAD DE LA SECADORA	61
Dryer Safety	3	Sécurité de la sècheuse	30	Seguridad de la secadora	61
Internet Connectivity Guide for		Guide de connexion Internet pour les		Guide de connexion Internet pour les	
Connected Appliances Only	5	appareils connectés uniquement	32	appareils connectés uniquement	63
DRYER MAINTENANCE AND CARE	6	ENTRETIEN ET NETTOYAGE DE LA		MANTENIMIENTO Y CUIDADO DE	
Cleaning the Dryer Location	6	SÈCHEUSE	33	LA SECADORA	64
Cleaning the Dryer Interior	6	Nettoyage de l'emplacement de la		Limpieza del lugar donde está la	
Removing Accumulated Lint	6	sècheuse	33	secadora	64
Cleaning the Lint Screen	6	Nettoyage de l'intérieur de la		Limpieza del interior de la	
Changing the Drum Light (on some		sècheuse	33	secadora	64
models)	7	Retrait de la charpie accumulée	33	Eliminación de pelusa acumulada	64
Check Your Vent System for Good		Nettoyage du filtre à charpie	33	Limpieza del filtro de pelusa	64
Airflow	7	Changement de l'ampoule		Cambio de la luz del tambor (en	
Maintain Good Airflow	7	d'éclairage du tambour (sur certains		algunos modelos)	65
Nonuse, Storage, & Moving Care	7	modèles)	34	Revise que el sistema de ventilación	
INSTALLATION REQUIREMENTS	8	Vérification d'une circulation d'air		tenga un buen flujo de aire	65
Tools and Parts	8	adéquate pour le système		Cómo mantener un buen flujo de	
Location Requirements	9	d'évacuation	34	aire	65
Electrical Requirements	10	Pour maintenir une bonne circulation		Cuidados que se deben tener en	
Electric Requirements	11	d'air	34	cuenta para las mudanzas, el	
INSTALLATION	12	Précautions à prendre avant une		almacenamiento y los periodos sin	
Install Leveling Legs	12	période de non-utilisation, un		uso	66
Electrical Installation – U.S.A.	12	entreposage ou un		REQUISITOS DE INSTALACIÓN	66
Home Venting Requirements	17	déménagement	35	Herramientas y piezas	66
Plan Vent System	18	EXIGENCES D'INSTALLATION	35	Requisitos de ubicación	68
Install Vent System	19	Outils et pièces	35	Requisitos eléctricos	69
Connect Inlet Hoses	19	Exigences d'Emplacement	37	Requisitos eléctricos	70
Connect Vent (Vented Models		Spécifications électriques	38	INSTALACIÓN	71
Only)	20	Spécifications électriques	39	Instalación de las patas	
Level Dryer	20	INSTALLATION	40	niveladoras	71
Complete Installation Checklist	21	Installation des pieds de réglage de		Instalación eléctrica – EE. UU.	71
QUICK START GUIDE	22	l'aplomb	40	Requisitos de ventilación de la	
CYCLE GUIDE	25	Installation électrique – É.-U.	41	vivienda	76
TROUBLESHOOTING	27	Exigences concernant l'évacuation		Planificación del sistema de	
		pour une maison	46	ventilación	77
		Planification du circuit		Instalación del sistema de	
		d'évacuation	47	ventilación	79
		Installation du conduit		Conexión de las mangueras de	
		d'évacuation	48	entrada	79
		Raccordement des tuyaux		Conexión del ducto de escape	
		d'alimentation	48	(modelos con ducto de escape	
		Raccordement du conduit		solamente)	80
		d'évacuation (sur les modèles avec		Nivele la secadora	81
		conduit seulement)	50	Lista de control de la instalación	
		Réglage de l'aplomb de la		terminada	81
		sècheuse	50	GUÍA DE INICIO RÁPIDO	82
		Liste de vérification pour installation		GUÍA DE CICLOS	86
		terminée	51	SOLUCIÓN DE PROBLEMAS	88
		GUIDE DE DÉMARRAGE RAPIDE	52		
		GUIDE DES PROGRAMMES	56		
		DÉPANNAGE	58		

DRYER SAFETY

Your safety and the safety of others are very important.

We have provided many important safety messages in this manual and on your appliance. Always read and obey all safety messages.



This is the safety alert symbol.

This symbol alerts you to potential hazards that can kill or hurt you and others.

All safety messages will follow the safety alert symbol and either the word "DANGER" or "WARNING." These words mean:

⚠ DANGER

You can be killed or seriously injured if you don't immediately follow instructions.

⚠ WARNING

You can be killed or seriously injured if you don't follow instructions.

All safety messages will tell you what the potential hazard is, tell you how to reduce the chance of injury, and tell you what can happen if the instructions are not followed.



WARNING — "Risk of Fire"

- Clothes dryer installation must be performed by a qualified installer.
- Install the clothes dryer according to the manufacturer's instructions and local codes.
- Do not install a clothes dryer with flexible plastic venting materials or flexible metal (foil type) duct. If flexible metal duct is installed, it must be of a specific type identified by the appliance manufacturer as suitable for use with clothes dryers. Flexible venting materials are known to collapse, be easily crushed, and trap lint. These conditions will obstruct clothes dryer airflow and increase the risk of fire.
- To reduce the risk of severe injury or death, follow all installation instructions.
- Save these instructions.

IMPORTANT SAFETY INSTRUCTIONS

WARNING: To reduce the risk of fire, electric shock, or injury to persons when using your appliance, follow basic precautions, including the following:

- Read all instructions before using the appliance.
- Do not dry articles that have been previously cleaned in, washed in, soaked in, or spotted with gasoline, dry-cleaning solvents, or other flammable or explosive substances, as they give off vapors that could ignite or explode.
- Risk of Suffocation and Injury from Entrapment: Do not allow children to play on or in the appliance. Close supervision of children is necessary when the appliance is used near children.
- Before the appliance is removed from service or discarded, remove the door to the drying compartment.
- Do not reach into the appliance if the drum is moving.
- Do not install or store this appliance where it will be exposed to the weather.
- Do not tamper with controls.
- Do not repair or replace any part of the appliance or attempt any servicing unless specifically recommended in the user-maintenance instructions or in published user-repair instructions that you understand and have the skills to carry out.
- Do not use fabric softeners or products to eliminate static unless recommended by the manufacturer of the fabric softener or product.
- Do not use heat to dry articles containing foam rubber or similarly textured rubber-like materials.
- Clean lint screen before or after each load.
- Keep area around the exhaust opening and adjacent surrounding areas free from the accumulation of lint, dust, and dirt.
- The interior of the appliance and exhaust duct should be cleaned periodically by qualified service personnel.
- Do not place items exposed to cooking oils in your dryer. Items contaminated with cooking oils may contribute to a chemical reaction that could cause a load to catch fire. To reduce the risk of fire due to contaminated loads, the final part of a tumble dryer cycle occurs without heat (cool down period). Avoid stopping a tumble dryer before the end of the drying cycle unless all items are quickly removed and spread out so that the heat is dissipated.
- Do not use replacement parts that have not been recommended by the manufacturer (e.g. parts made at home using a 3D printer).
- See the Installation Instructions for grounding requirements and installation.
- Do not install a booster fan in the exhaust duct.
NOTE: The booster fan warning does not apply to clothes dryers intended to be installed in a multiple clothes dryer system, with an engineered exhaust duct system that is installed per the clothes dryer manufacturer's guidelines.

SAVE THESE INSTRUCTIONS

IMPORTANT SAFETY INSTRUCTIONS

WHEN DISCARDING OR STORING YOUR OLD CLOTHES DRYER, REMOVE THE DOOR.

SAVE THESE INSTRUCTIONS

Internet Connectivity Guide for Connected Appliances Only

IMPORTANT: Proper installation of your appliance prior to use is your responsibility. Be sure to read and follow the installation instructions that came with your appliance.

Connectivity requires Wi-Fi and account creation. App features and functionality are subject to change. Data rates may apply. Once installed, launch the app. You will be guided through the steps to set up a user account and to connect your appliance.

You Will Need:

- A home wireless router supporting Wi-Fi, 2.4 Ghz with WPA2 security. If you are unsure of your router's capabilities, refer to the router manufacturer's instructions.
- The router to be on and have a live internet connection.
- The 10-character SAID code for your appliance. The SAID code is either printed on a label on the appliance or found on the LCD screen.

Federal Communications Commission (FCC) Compliance Notice

This device complies with Part 15 of the FCC Rules. Operation is subject to the following two conditions:

1. This device may not cause harmful interference, and
2. This device must accept any interference received, including interference that may cause undesired operation.

Changes or modifications not expressly approved by the party responsible for compliance could void the user's authority to operate the equipment.

Industry Canada (IC) Compliance Notice

This Device complies with Industry Canada License-exempt RSS standard(s). Operation is subject to the following two conditions:

1. This device may not cause interference.
2. This device must accept any interference, including interference that may cause undesired operation of the device.

Under Industry Canada regulations, this radio transmitter may only operate using an antenna of a type and maximum (or lesser) gain approved for the transmitter by Industry Canada. To reduce potential radio interference to other users, the antenna type and its gain should be so chosen that the equivalent isotropically radiated power (e.i.r.p.) is not more than that necessary for successful communication.

To comply with FCC and Industry Canada RF radiation exposure limits for general population, antenna(s) used for this transmitter must be installed such that a minimum separation distance of 20 cm is maintained between the radiator (antenna) and all persons at all times and must not be co-located or operating in conjunction with any other antenna or transmitter.


If this equipment does cause harmful interference to radio or television reception, which can be determined by turning the equipment off and on, the user is encouraged to try to correct the interference by one of the following measures:

- Reorient or relocate the receiving antenna.
- Increase the separation between the equipment and receiver.
- Connect the equipment into an outlet on a circuit different from that to which the receiver is connected.
- Consult the dealer or an experienced radio/TV technician for help.

DRYER MAINTENANCE AND CARE

Cleaning the Dryer Location

⚠ WARNING



Explosion Hazard

Keep flammable materials and vapors, such as gasoline, away from dryer.

Do not dry anything that has ever had anything flammable on it (even after washing).

Place dryer at least 18 inches (460 mm) above the floor for a garage installation.

Failure to do so can result in death, explosion, or fire.

Keep dryer area clear and free from items that would block the airflow for proper dryer operation. This includes clearing piles of laundry in front of the dryer.

Cleaning the Dryer Interior

To clean dryer drum:

1. Use nonflammable cleaner or a mild hand dish detergent mixed at a low concentration with very warm water, and rub with a soft cloth.
 - Rinse well with a wet sponge or towel.
 - Tumble a load of clean clothes or towels to dry drum.

OR

2. Use a microfiber cloth and very warm water in a spray bottle to clean the drum and a second microfiber towel to dry.

NOTE: Garments that contain unstable dyes, such as denim blue jeans or brightly colored cotton items, may discolor the rear of the dryer interior. These stains are not harmful to your dryer and will not stain future loads of clothes. Dry unstable dye items inside out to avoid transfer of dye.

Removing Accumulated Lint

From inside the dryer cabinet:

Lint should be removed every 2 years, or more often, depending on dryer usage. Cleaning should be done by a qualified appliance service or ventilation system cleaner.

From the exhaust vent:

Lint should be removed every 2 years, or more often, depending on dryer usage.

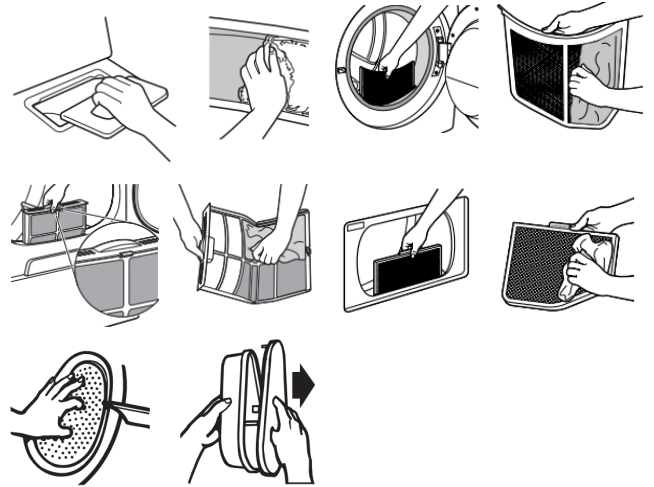
Cleaning the Lint Screen

Every load cleaning:

The lint screen may be located either in the door opening or the top of the dryer depending on model. A screen blocked by lint can increase drying time.

To clean:

1. Remove the lint screen. If necessary, press the tab to release and open the lint screen. Roll lint off the screen with your fingers. Do not rinse or wash screen to remove lint. Wet lint is hard to remove.



2. Push the lint screen firmly back into place.

IMPORTANT:

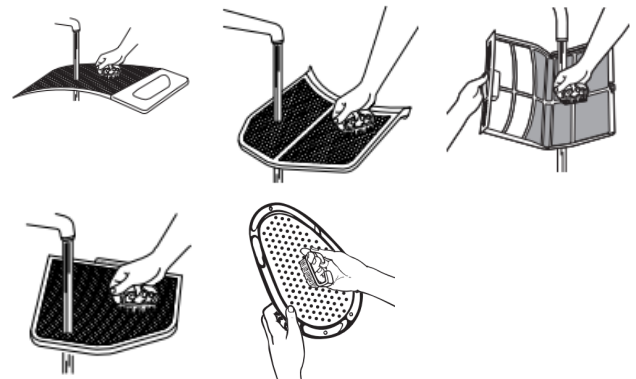
- Do not run the dryer with the lint screen loose, damaged, blocked, or missing. Doing so can cause overheating and damage to both the dryer and fabrics.
- If lint falls off the screen into the dryer during removal, check the exhaust hood and remove the lint. See "Venting Requirements" in the Installation Instructions.
- Clean space where lint screen is located, as needed. Using a vacuum, gently remove any lint that has accumulated outside of the lint screen.

As-needed cleaning:

Laundry detergent and fabric softener residue can build up on the lint screen. This buildup can cause longer drying times for your clothes, or cause the dryer to stop before your load is completely dry. The screen is probably clogged if lint falls off while the screen is in the dryer. Clean the lint screen with a nylon brush every 6 months, or more frequently, if it becomes clogged due to a residue buildup.

To wash:

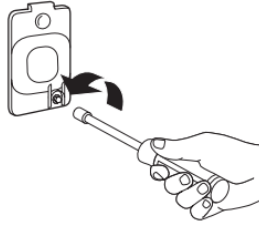
1. Roll lint off the screen with your fingers.
2. Wet both sides of lint screen with hot water.
3. Wet a nylon brush with hot water and liquid detergent. Scrub lint screen with the brush to remove residue buildup.



4. Rinse screen with hot water.
5. Thoroughly dry lint screen with a clean towel. Reinstall screen in dryer.

Changing the Drum Light (on some models)

1. Unplug dryer or disconnect power.
2. Open the dryer door. Locate the light bulb cover on the back wall of the dryer. Using a 1/4" (6.5 mm) nut driver or socket wrench, remove the screw located in the lower right-hand corner of the cover. Remove the cover.



3. Turn bulb counterclockwise. Replace the bulb with a 10 W appliance bulb only. Replace the cover and secure with the screw.
4. Plug in dryer or reconnect power.

Check Your Vent System for Good Airflow

⚠ WARNING



Fire Hazard

- Use a heavy metal vent.
- Do not use a plastic vent.
- Do not use a metal foil vent.
- Failure to follow these instructions can result in death or fire.

Good Airflow

Along with heat, dryers require good airflow to efficiently dry laundry. Proper venting will reduce your drying times and improve your energy savings. See Installation Instructions.

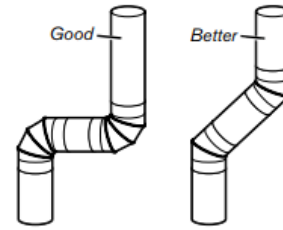
The venting system attached to the dryer plays a big role in good airflow. Blocked or crushed vents as well as improper venting installation will reduce air flow and dryer performance.

Service calls caused by improper venting are not covered by the warranty and will be paid by the customer, regardless of who installed the dryer. To clean or repair venting, contact a venting specialist.

Maintain Good Airflow

- Cleaning your lint screen before each load.
- Replace plastic or foil vent material with 4" (102 mm) diameter heavy, rigid vent material.
- Use the shortest length of vent possible.

- Use no more than four 90° elbows in a vent system; each bend and curve reduces airflow.



- Remove lint and debris from the exhaust hood.
- Remove lint from the entire length of the vent system at least every 2 years. When cleaning is complete, be sure to follow the Installation Instructions for final product check.
- Clear away items from the front of the dryer.

Nonuse, Storage, and Moving Care

Nonuse or Storage Care

If you will be on vacation or not using your dryer for an extended period of time, you should:

1. Unplug dryer or disconnect power.
2. Clean lint screen. See "Cleaning the Lint Screen."
3. Steam Models Only: Turn off the water supply to the dryer. This helps to avoid flooding (due to a water pressure surge) while you are away.

Moving Care

For power supply cord-connected dryers:

1. Unplug the power supply cord.
2. Steam models only: Shut off water faucet. Disconnect the water inlet hose from faucet; then drain the hose. Transport hose separately.
3. Make sure leveling legs are secure in dryer base.
4. Use tape to secure dryer door.
5. On models with base trim, remove base trim before moving dryer. See "Install and remove base trim (on some models)" for details.

For direct-wired dryers:

⚠ WARNING



Electrical Shock Hazard

- Disconnect power before servicing.
- Replace all parts and panels before operating.
- Failure to do so can result in death or electrical shock.

1. Turn off power at fuse or breaker box.
2. Disconnect wiring.
3. Steam models only: Shut off water faucet. Disconnect the water inlet hose from faucet; then drain the hose. Transport hose separately.
4. Make sure leveling legs are secure in dryer base.
5. Use tape to secure dryer door.
6. On models with base trim, remove base trim before moving dryer. See "Install and remove base trim (on some models)" for details.

To winterize the dryer:

1. Unplug dryer or disconnect power.
2. Shut off water faucet.
3. Disconnect water inlet hose from faucet and drain.

To use the dryer again:

1. Flush water pipes. Reconnect water inlet hose to faucet. Turn on water faucet.
2. Plug in dryer or reconnect power as described in the Installation Instructions.

Reinstalling the Dryer

Follow the Installation Instructions to locate, level, and connect the dryer.

Special Instructions for Steam Models

Install and store your dryer where it will not freeze. Because some water may stay in the hose, freezing can damage your dryer. If storing or moving your dryer during freezing weather, winterize it.

Water inlet hose

Replace inlet hose and hose screen after 5 years of use to reduce the risk of hose failure. Periodically inspect and replace inlet hose if bulges, kinks, cuts, wear, or leaks are found.

When replacing your inlet hose, record the date of replacement.

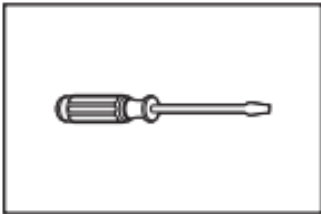
INSTALLATION REQUIREMENTS

Tools and Parts

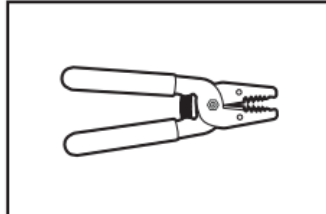
NOTE: Install the clothes dryer according to the manufacturer's instructions and local codes.

Gather required tools and parts before starting installation. Read and follow the instructions provided with any tools listed here.

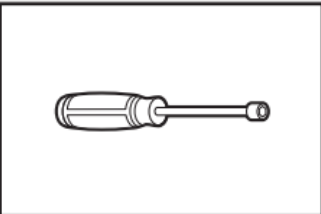
Tools Needed for All Installations:



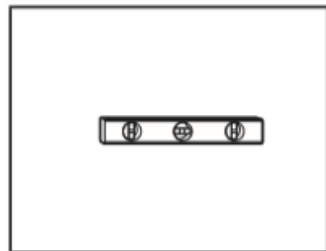
Flat-blade screwdriver



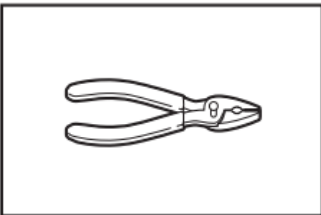
Wire stripper



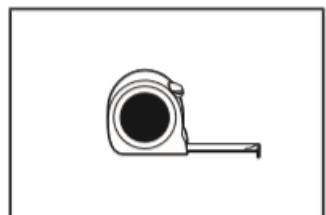
1/4" Nut driver



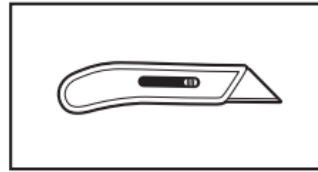
Level



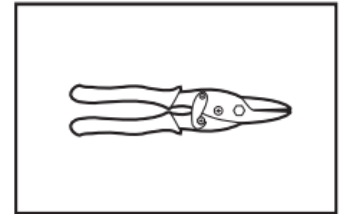
Pliers



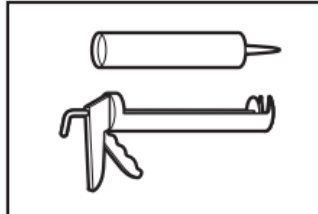
Tape measure



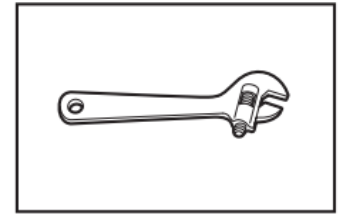
Utility knife



Tin snips

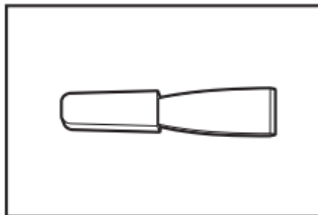


Caulking gun and compound



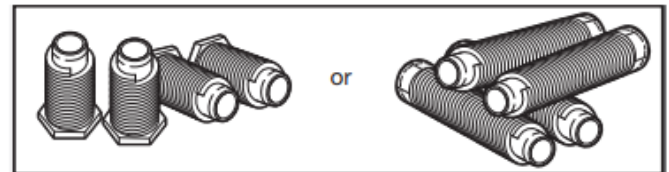
Adjustable wrench that opens to 1" (25 mm) or hex-head socket wrench

Additional Tools Needed (on some models):



Putty knife

Parts Supplied (all models):



Leveling legs (4) (Length and appearance of legs may vary according to model)

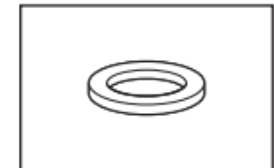
Parts package is located in dryer drum. Check that all parts are included.

NOTE: Do not use leveling legs supplied with dryer if installing with a pedestal or stack kit.

Parts Needed (steam models):



"Y" connector



Rubber washer

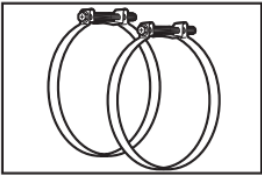


2' (0.6 m) inlet hose



5' (1.52 m) inlet hose

Vented Models:



Vent Clamps, elbows, and vent work

Parts Needed (not supplied with dryer):

Additional parts may be required, depending on your installation. Check local codes. Check existing electrical supply and venting. See "Electrical Requirements" and "Venting Requirements" before purchasing parts.


Mobile home installations require metal exhaust system hardware available for purchase from the dealer from whom you purchased your dryer. For further information, please refer to the Quick Start Guide for service contact information.

Available Accessories:

Accessories and replacement parts are available for your model. For ordering and contact information, please reference your Quick Start Guide.

Location Requirements

⚠ WARNING



Explosion Hazard

Keep flammable materials and vapors, such as gasoline, away from dryer.

Do not dry anything that has ever had anything flammable on it (even after washing).

Place dryer at least 18 inches (460 mm) above the floor for a garage installation.

Failure to do so can result in death, explosion, or fire.

Check code requirements. Some codes limit, or do not permit, installing dryer in garages, closets, mobile homes, or sleeping quarters. Contact your local building inspector.

You will need:

- **For vented models:** A location allowing for proper exhaust installation. See "Venting Requirements."
- A separate 30 A circuit for electric dryers.
- If you are using power supply cord, a grounded electrical outlet located within 2 ft (610 mm) of either side of dryer. See "Electrical Requirements."
- A sturdy floor to support dryer weight of 200 lbs (90.7 kg). Also, consider the combined weight of the companion appliance.
- **For steam dryers:** Cold water faucets located within 4 ft (1.2 m) of the water fill valves, and water pressure of 20-120 psi (138-827 kPa). You may use the water supply for your washer using the necessary parts as noted in "Parts needed" which you may need to purchase (those parts are not included with the your appliance and are optional).

- Level floor with a maximum slope of 1" (25 mm) under the entire dryer. If the slope is greater than 1" (25 mm), install Extended Dryer Feet Kit. If not level, clothes may not tumble properly and automatic sensor cycles may not operate correctly.
- For garage installation, place dryer at least 18" (460 mm) above the floor. If using a pedestal, you will need 18" (460 mm) to bottom of the dryer.
- The dryer must not be installed or stored in an area where it will be exposed to water and/or weather.

IMPORTANT: Do not operate dryer at temperatures below 45°F (7°C). Lower temperatures may cause dryer not to shut off at end of automatic sensor cycles, resulting in longer drying times.

Installation clearances:

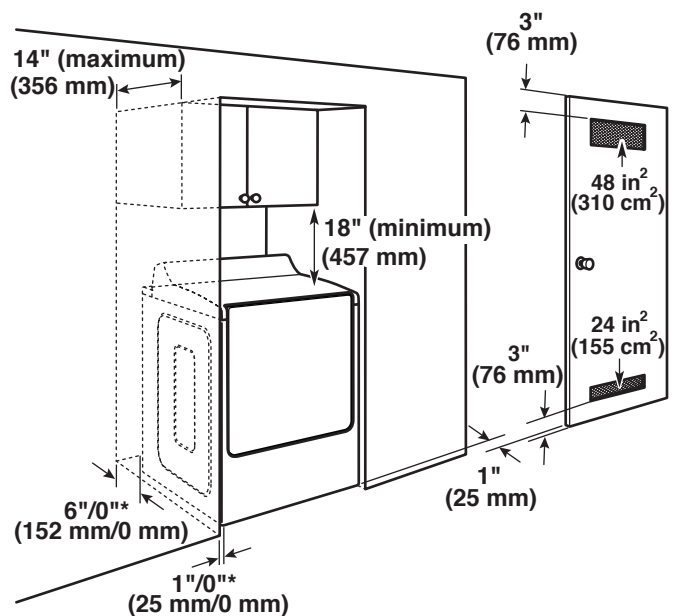
For each arrangement, consider allowing more space for ease of installation and servicing, spacing for companion appliances, and clearances for walls, doors, and floor moldings. Space must be large enough to allow the dryer door to fully open. Add spacing on all sides of the dryer to reduce noise transfer. If a closet door is used, top and bottom air openings are required. Louvered doors with equivalent ventilation openings can be used.

Installation spacing for a recessed area or closet

All dimensions show recommended and minimum spacing allowed.

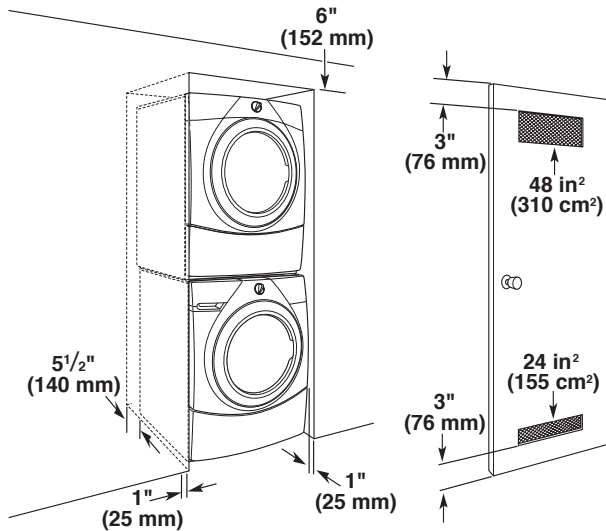
- Additional spacing should be considered for ease of installation and servicing.
- Additional clearances might be required for wall, door, floor, moldings, dryer venting, and drain system.
- Additional spacing should be considered on all sides of the dryer to reduce noise transfer.
- For closet installation with a door, minimum ventilation openings in the top and bottom of the door are required for vented models. Louvered doors with equivalent ventilation openings are acceptable.
- Companion appliance spacing should also be considered.

Recommended installation clearances (dryer only):



*Recommended/Minimum spacing

Closet Installation (stacked washer and dryer):



Minimum installation clearances (dryer only):

	Front	Sides	Rear	Top
Recessed	NA	0" (0 mm)	0" (0 mm)	18" (457 mm) to cabinet/shelf
Closet	1" (25 mm)	0" (0 mm)	0" (0 mm)	18" (457 mm) to cabinet/shelf

0" (0 mm) rear spacing is allowed for straight-back venting only.

For steam models only, inlet hose must not be kinked.

Mobile Home – Additional installation requirements

This dryer is suitable for mobile home installations. The installation must conform to the Manufactured Home Construction and Safety Standard, Title 24 CFR, Part 3280 (formerly the Federal Standard for Mobile Home Construction and Safety, Title 24, HUD Part 280) or the Standard for Mobile Homes, CAN/CSA-Z240 MH.

Mobile home installations require:

- Metal exhaust system hardware, which is available for purchase from your dealer.
- Special provisions must be made in mobile homes to introduce outside air into the dryer. The opening (such as a nearby window) should be at least twice as large as the dryer exhaust opening.

Electrical Requirements – U.S.A.

It is your responsibility:

- To contact a qualified electrical installer.
- To be sure that the electrical connection is adequate and in conformance with the National Electrical Code, ANSI/NFPA 70 – latest edition and all local codes and ordinances. The National Electrical Code requires a 4-wire power supply connection for homes built after 1996, dryer circuits involved in remodeling after 1996, and all mobile home installations. A copy of the above code standards can be obtained from: National Fire Protection Association, One Batterymarch Park, Quincy, MA 02169-7471.

- To supply the required 3- or 4-wire, single-phase, 120/240 V, 60 Hz AC only electrical supply (or 3- or 4-wire, 120/208 V electrical supply, if specified on the serial/rating plate) on a separate 30 A circuit, fused on both sides of the line. Connect to an individual branch circuit. Do not have a fuse in the neutral or grounding circuit.

- Do not use an extension cord.

- If codes permit and a separate ground wire is used, it is recommended that a qualified electrician determine that the ground path is adequate.

Electrical Connection

To properly install your dryer, you must determine the type of electrical connection you will be using and follow the instructions provided for it here.

- This dryer is manufactured ready to install with a 3-wire electrical supply connection. The neutral bond conductor is permanently connected to the neutral conductor (white wire) within the dryer. If the local electrical codes require the use of a ground-fault circuit interrupter, then a 4 wire electrical supply connection is required. The neutral bond conductor must be removed from the external ground connector (green screw), and secured under the neutral terminal (center or white wire) of the terminal block. When the neutral bond conductor is secured under the neutral terminal (center or white wire) of the terminal block, the dryer cabinet is isolated from the neutral conductor. The green ground wire of the 4-wire power cord must be secured to the dryer cabinet with the green ground screw.

- If local codes do not permit the connection of a neutral bond wire to the neutral wire, see "Optional 3-Wire Connection."
- A 4-wire power supply connection must be used when the appliance is installed in a location where grounding through the neutral conductor is prohibited. Grounding through the neutral conductor is prohibited for (1) new branch-circuit installations after 1996, (2) mobile homes, (3) recreational vehicles, and (4) areas where local codes prohibit grounding through the neutral conductors.

If using a power supply cord:

Use a UL listed power supply cord kit marked for use with clothes dryers. The kit should contain:

- A UL listed 30 A power supply cord, rated 120/240 V minimum. The cord should be type SRD or SRDT and be at least 4 ft (1.22 m) long. The wires that connect to the dryer must end in ring terminals or spade terminals with upturned ends.
- A UL listed strain relief.

If your outlet looks like this:



4-wire receptacle (14-30R)

Then choose a 4-wire power supply cord with ring or spade terminals and UL listed strain relief. The 4-wire power supply cord, at least 4 ft (1.22 m) long, must have four 10-gauge copper wires and match a 4-wire receptacle of NEMA Type 14-30 R. The ground wire (ground conductor) may be either green or bare. The neutral conductor must be identified by a white cover.

If your outlet looks like this:



3-wire receptacle (10-30R)

Then choose a 3-wire power supply cord with ring or spade terminals and UL listed strain relief. The 3-wire power supply cord, at least 4 ft (1.22 m) long, must have three 10-gauge copper wires and match a 3-wire receptacle of NEMA Type 10-30R.

If connecting by direct wire:

Power supply cable must match power supply (4-wire or 3-wire) and be:

- Flexible armored cable or nonmetallic sheathed copper cable (with ground wire), covered with flexible metallic conduit. All current-carrying wires must be insulated.
- 10-gauge solid copper wire (do not use aluminum) at least 5 ft (1.52 m) long.

GROUNDING INSTRUCTIONS

For a grounded, cord-connected appliance:

This appliance must be grounded. In the event of a malfunction or breakdown, grounding will reduce the risk of electric shock by providing a path of least resistance for electric current. This appliance is equipped with a cord having an equipment-grounding conductor and a grounding plug. The plug must be plugged into an appropriate outlet that is properly installed and grounded in accordance with all local codes and ordinances.

WARNING: Improper connection of the equipment-grounding conductor can result in a risk of electric shock. Check with a qualified electrician or serviceman if you are in doubt as to whether the appliance is properly grounded. Do not modify the plug provided with the appliance: If it will not fit the outlet, have a proper outlet installed by a qualified electrician.

For a permanently connected appliance:

This appliance must be connected to a grounded metal, permanent wiring system, or an equipment-grounding conductor must be run with the circuit conductors and connected to the equipment-grounding terminal or lead on the appliance.

SAVE THESE INSTRUCTIONS

Electric Requirements – Canada

⚠WARNING



Electrical Shock Hazard

Plug into a grounded 4 prong outlet.

Failure to do so can result in death or electrical shock.

It is your responsibility:

- To contact a qualified electrical installer.
- To be sure that the electrical connection is adequate and in conformance with Canadian Electrical Code, C22.1 – latest edition and all local codes. A copy of above codes standard may be obtained from: Canadian Standards Association, 178 Rexdale Blvd., Toronto, ON M9W 1R3 CANADA.
- To supply the required 4-wire, single-phase, 120/240 V, 60 Hz AC only electrical supply on a separate 30 A circuit, fused on both sides of the line. A time-delay fuse or circuit breaker is recommended. Connect to an individual branch circuit.
- This dryer is equipped with a UL-listed and/or CSA International Certified Power Cord intended to be plugged into a standard 14-30R wall receptacle. The cord is 5 ft (1.52 m) long. Be sure wall receptacle is within reach of dryer's final location.
- If codes permit and a separate ground wire is used, it is recommended that a qualified electrician determine that the ground path is adequate.
- Do not use an extension cord.



4-wire receptacle
(14-30R)

For further information, or to obtain a Power Supply Cord Replacement, please reference the contact information listed on your Quick Start Guide.

GROUNDING INSTRUCTIONS

For a grounded, cord-connected appliance:

This appliance must be grounded. In the event of a malfunction or breakdown, grounding will reduce the risk of electric shock by providing a path of least resistance for electric current. This appliance is equipped with a cord having an equipment-grounding conductor and a grounding plug. The plug must be plugged into an appropriate outlet that is properly installed and grounded in accordance with all local codes and ordinances.

WARNING: Improper connection of the equipment-grounding conductor can result in a risk of electric shock. Check with a qualified electrician or serviceman if you are in doubt as to whether the appliance is properly grounded. Do not modify the plug provided with the appliance: if it will not fit the outlet, have a proper outlet installed by a qualified electrician.

SAVE THESE INSTRUCTIONS

INSTALLATION

Install Leveling Legs

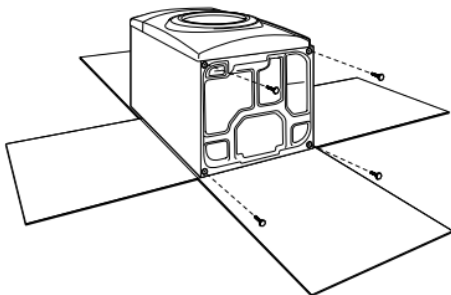
⚠WARNING

Excessive Weight Hazard

Use two or more people to move and install or uninstall appliance.

Failure to do so can result in back or other injury.

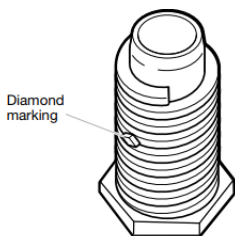
1. Prepare dryer for leveling legs



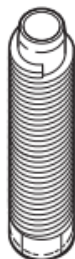
To avoid damaging floor, use a large flat piece of cardboard from dryer carton; place under entire back edge of dryer. Firmly grasp dryer body (not console panel) and gently lay dryer down on cardboard.

NOTE: Residual water from factory testing may drain when dryer is laying on its side.

2. Screw in leveling legs



Leveling leg with diamond marking.



Leveling leg without diamond marking

Using a wrench and tape measure, screw leveling legs into leg holes until bottom of foot is approximately 1/2" (13 mm) to 1 1/2" (38 mm) from bottom of the dryer.

For leveling legs with the diamond marking:

Screw legs into leg holes by hand. Use a wrench to finish turning legs until diamond marking is no longer visible.

Place a carton corner post from dryer packaging under each of the two dryer back corners. Stand the dryer up. Slide the dryer on the corner posts until it is close to its final location. Leave enough room to connect the exhaust vent.

Electrical Installation – U.S.A.

⚠WARNING



Fire Hazard

For power supply cord, use a new UL listed 30 A power supply cord.

For direct wire, use 10 gauge copper wire.

Use a UL listed strain relief.

Disconnect power before making electrical connections.

Connect neutral wire (white or center wire) to center terminal (silver).

Connect ground wire (green or bare wire) to green ground connector.

Connect remaining 2 supply wires to remaining 2 terminals (gold).

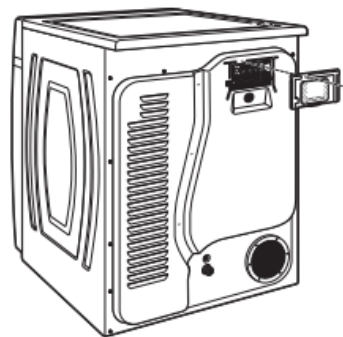
Securely tighten all electrical connections.

Failure to do so can result in death, fire, or electrical shock.

1. Disconnect power

2. Remove terminal block cover

NOTE: Your terminal block cover may be in a different location.



Remove hold-down screw and terminal block cover.

3. Choose electrical connection type



Power supply cord 4-wire receptacle (NEMA Type 14-30R): Refer to “4-Wire Power Supply Connection”. Then, go to “Venting Requirements.”



Power supply cord 3-wire receptacle (NEMA Type 10-30R): Refer to “3-Wire Power Supply Connection”. Then, go to “Venting Requirements.”



4-wire direct connection: Go to “Direct Wire Strain Relief,” then “4-Wire Direct Wire Connection,” then, go to “Venting Requirements.”



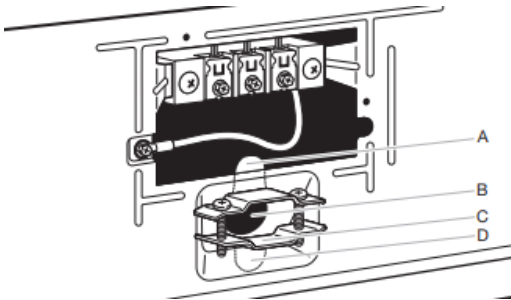
3-wire direct connection: Go to “Direct Wire Strain Relief,” then “3-Wire Direct Wire Connection,” then, go to “Venting Requirements.”

NOTE: If local codes do not permit connection of a cabinet-ground conductor to neutral wire, go to “Optional 3-wire Connection.” This connection may be used with either a power supply cord or a direct wire connection.

Power Supply Cord Connection

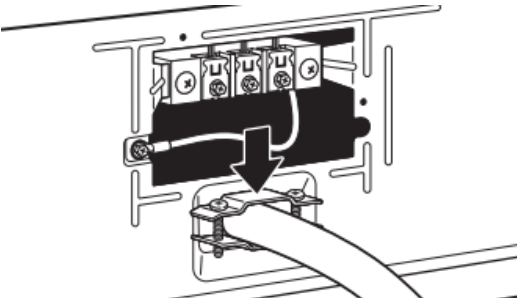
Power Supply Cord Strain Relief

1. Attach power supply cord strain relief



Remove the screws from a 3/4" (19 mm) UL-listed strain relief (UL marking on strain relief). Put the tabs of the two clamp sections (C) into the hole below the terminal block opening (B) so that one tab is pointing up (A) and the other is pointing down (D), and hold in place. Tighten strain relief screws just enough to hold the two clamp sections (C) together.

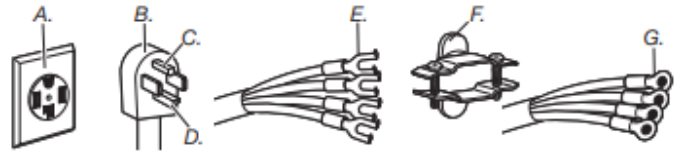
2. Attach power supply cord to strain relief



Put power supply cord through the strain relief. Be sure that the wire insulation on the power supply cord is inside the strain relief. The strain relief should have a tight fit with the dryer cabinet and be in a horizontal position. Tighten the strain relief against the power supply cord. Do not overtighten the strain relief screws.

4-Wire Power Supply Connection

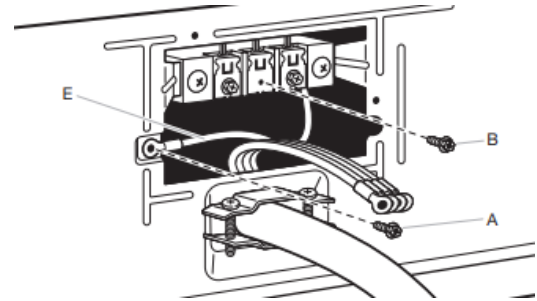
IMPORTANT: A 4-wire connection is required for mobile homes and where local codes do not permit the use of 3-wire connections.



- A. 4-wire receptacle (NEMA type 14-30R)
- B. 4-prong plug
- C. Ground prong
- D. Neutral prong

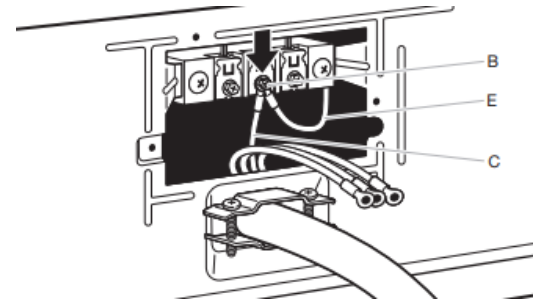
- E. Spade terminals with upturned ends
- F. 3/4" (19 mm) UL-listed strain relief
- G. Ring terminals

3. Prepare ground wire appliance installation



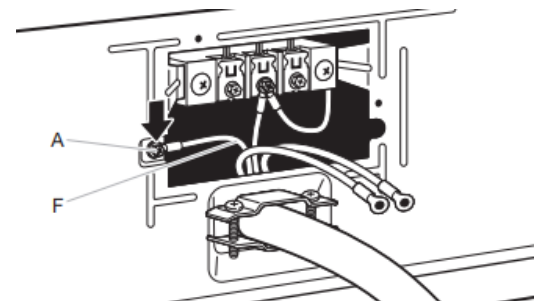
Remove center terminal block screw (B). Remove neutral bond wire (E) from green external ground conductor screw (A).

4. Connect neutral bond wire and neutral wire



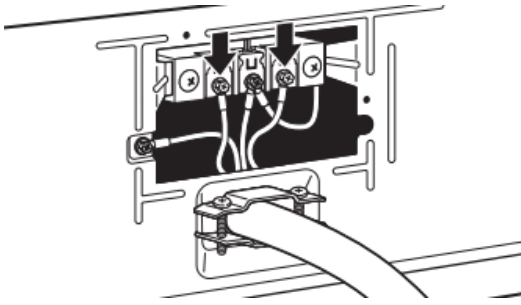
Connect neutral bond wire (E) and neutral wire (white or center) (C) of power supply cord under center terminal block screw (B). Tighten screw.

5. Connect ground wire



Connect ground wire (F) (green or bare) of power supply cord under green external ground conductor screw (A). Tighten screw.

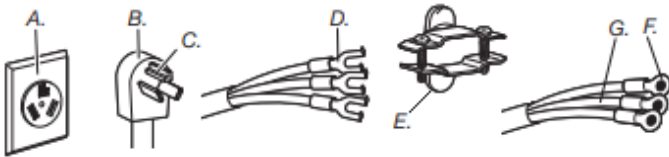
6. Connect remaining wires



Connect remaining wires under outer terminal block screws. Tighten screws. Insert tab of terminal block cover into slot of dryer rear panel. Secure cover with hold-down screw. Now, go to "Venting Requirements."

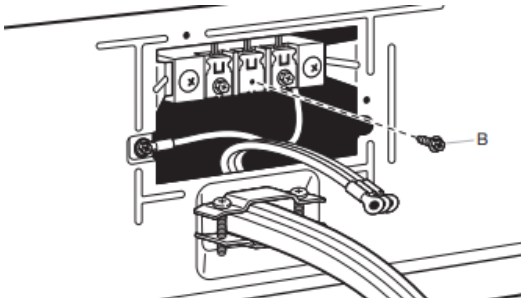
3-Wire Power Supply Connection

IMPORTANT: Use where local codes permit connecting cabinet-ground conductor to neutral wire.



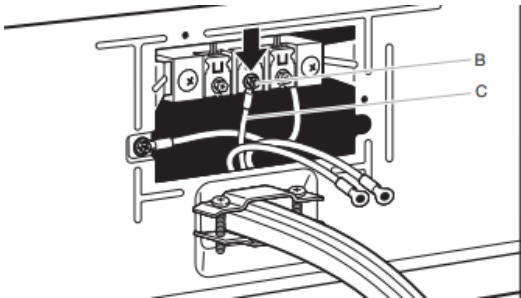
- | | |
|--|--|
| A. 3-wire receptacle
(NEMA type 10-30R) | E. 3/4" (19 mm) UL-listed
strain relief |
| B. 3-wire plug | F. Ring terminals |
| C. Neutral prong | G. Neutral (white or center
wire) |
| D. Spade terminals with
upturned ends | |

3. Remove center screw



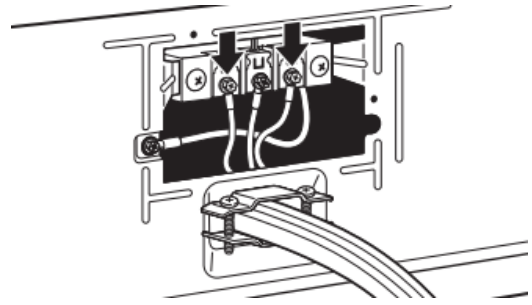
Remove center terminal block screw (B).

4. Connect neutral wire



Connect neutral wire (white or center) (C) of power supply cord under center terminal block screw (B). Tighten screw.

5. Connect remaining wires

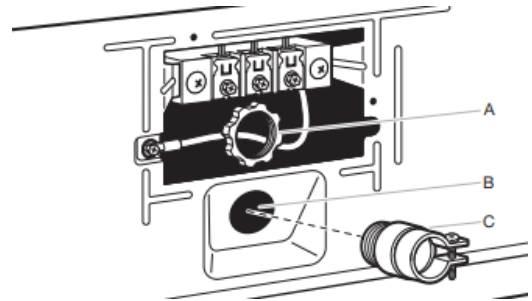


Connect remaining wires under outer terminal block screws. Tighten screws. Insert tab of terminal block cover into slot of dryer rear panel. Secure cover with hold-down screw. Now, go to "Venting Requirements."

Direct Wire Connection

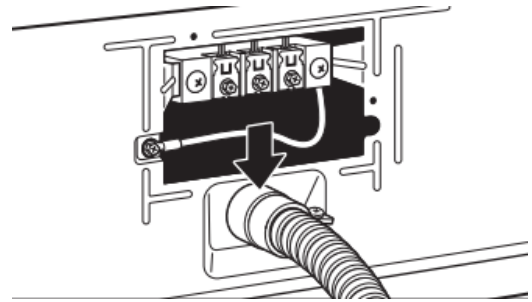
Direct wire strain relief

1. Attach direct wire strain relief



Unscrew the removable conduit connector (A) and any screws from a 3/4" (19 mm) UL-listed strain relief (UL marking on strain relief). Put the threaded section of the strain relief through the hole below the terminal block opening (B). Reaching inside the terminal block opening, screw the removable conduit connector (A) onto the strain relief threads (C) and tighten securely.

2. Attach direct wire cable to strain relief



Put direct wire cable through the strain relief. The strain relief should have a tight fit with the dryer cabinet and be in a horizontal position. Tighten strain relief screw against the direct wire cable.

For 4-wire Direct Wire Connection, continue to step 3.



4-wire direct wire connection: Go to "4-Wire Direct Wire Connection."

For 3-wire Direct Wire Connection, continue to step 3.

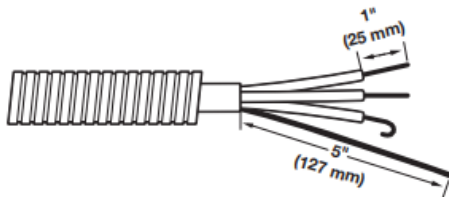


3-wire direct wire connection: Go to "3-Wire Direct Wire Connection."

4-Wire Direct Wire Connection

IMPORTANT: A 4-wire connection is required for mobile homes and where local codes do not permit 3-wire connections.

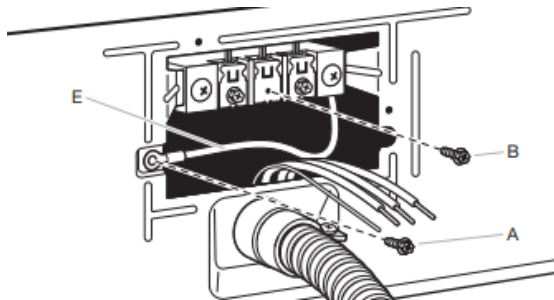
3. Prepare your 4-wire cable for direct connection



Direct wire cable must have 5 ft (1.52 m) of extra length so dryer may be moved if needed.

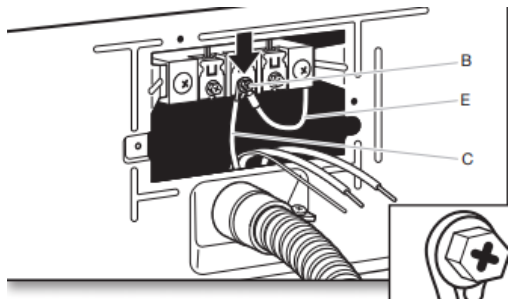
Strip 5" (127 mm) of outer covering from end of cable, leaving bare ground wire at 5" (127 mm). Cut 1/2" (38 mm) from remaining 3 wires. Strip insulation back 1" (25 mm). Shape ends of wires into hooks.

4. Prepare to connect neutral bond wire and neutral wire



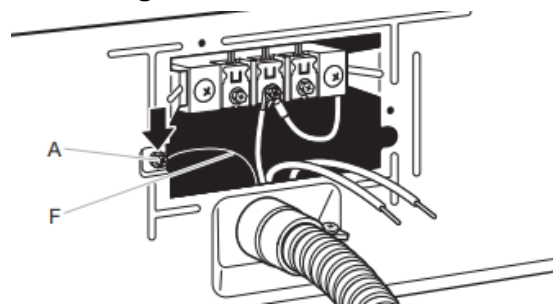
Remove center terminal block screw (B). Remove neutral bond wire (E) from green external bond conductor screw (A).

5. Connect neutral bond wire and neutral wire



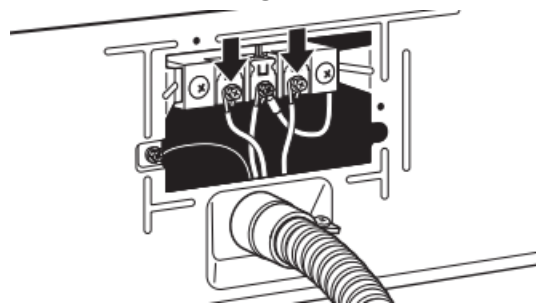
Connect neutral bond wire (E) and place hooked end (hook facing right) of neutral wire (white or center wire) (C) of direct wire cable under center screw of terminal block (B). Squeeze hooked ends together and tighten screw.

6. Connect ground wire



Connect ground wire (green or bare) (F) of direct wire cable under green external ground conductor screw (A). Tighten screw.

7. Connect remaining wires

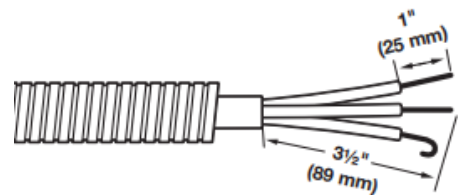


Place hooked ends of remaining direct wire cable wires under outer terminal block screws (hooks facing right). Squeeze hooked ends together and tighten screws. Insert tab of terminal block cover into slot of dryer rear panel. Secure cover with hold-down screw. Now, go to "Venting Requirements."

3-Wire Direct Wire Connection

IMPORTANT: Use where local codes permit connecting cabinet-ground conductor to neutral wire.

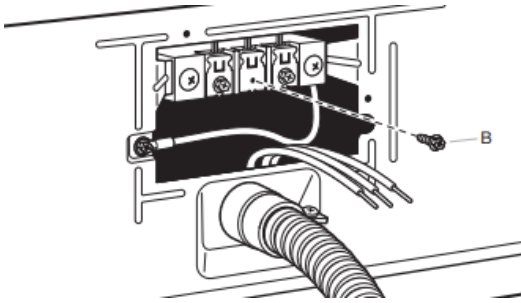
3. Prepare your 3-wire cable for direct connection



Direct wire cable must have 5 ft (1.52 m) of extra length so dryer may be moved if needed.

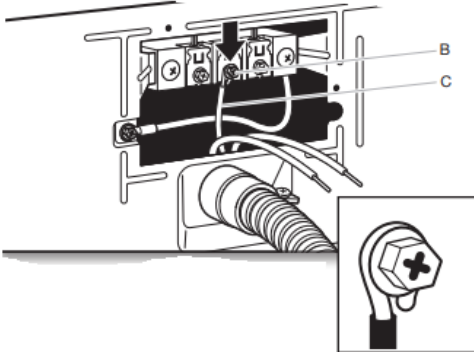
Strip 3 1/2" (89 mm) of outer covering from end of cable. Strip insulation back 1" (25 mm). If using 3-wire cable with ground wire, cut bare wire even with outer covering. Shape wire ends into hooks.

4. Remove center screw



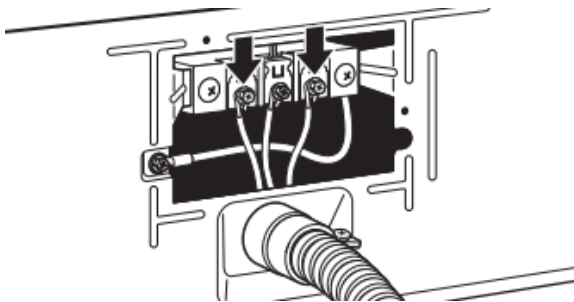
Remove center terminal block screw (B).

5. Connect neutral wire



Place hooked end of neutral wire (white or center) (C) of direct wire cable under center terminal block screw (B). Squeeze hooked end together. Tighten screw.

6. Connect remaining wires

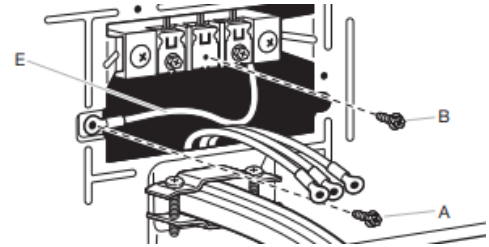


Place hooked ends of remaining direct wire cable wires under outer terminal block screws (hooks facing right). Squeeze hooked ends together and tighten screws. Insert tab of terminal block cover into slot of dryer rear panel. Secure cover with hold-down screw. Now, go to "Venting Requirements."

Optional 3-Wire Connection (Power Supply Cord Shown)

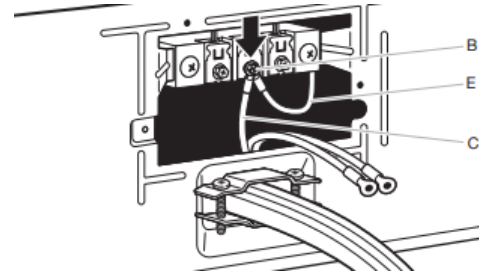
IMPORTANT: You must verify with a qualified electrician that this grounding method is acceptable before connecting.

1. Prepare to connect neutral bond wire and neutral wire



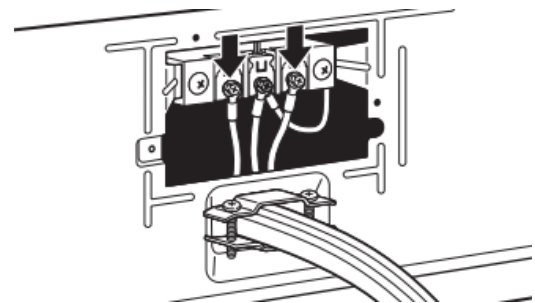
Install the correct strain relief for your electrical connection method. Remove center terminal block screw (B). Remove neutral bond wire (E) from green external ground conductor screw (A).

2. Connect neutral bond wire and neutral wire



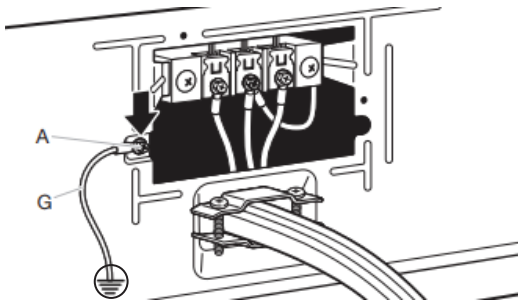
Connect neutral bond wire (E) and neutral wire (white or center wire) (C) of power supply cord or cable under center terminal block screw (B). Tighten screw.

3. Connect remaining wires



Place remaining wires under outer terminal block screws. Tighten screws.

4. Connect external ground wire



Connect a separate copper ground wire (G) from the green external ground conductor screw (A) to an adequate ground. Insert tab of terminal block cover into slot of dryer rear panel. Secure cover with hold-down screw. Now, go to “Venting Requirements.”

Home Venting Requirements

⚠ WARNING



Fire Hazard

Use a heavy metal vent.

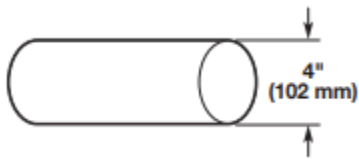
Do not use a plastic vent.

Do not use a metal foil vent.

Failure to follow these instructions can result in death or fire.

WARNING: To reduce the risk of fire, this dryer MUST BE EXHAUSTED OUTDOORS.

IMPORTANT: Observe all governing codes and ordinances. Dryer exhaust must not be connected into any gas vent, chimney, wall, ceiling, attic, crawlspace, or a concealed space of a building. Only rigid or flexible metal vent shall be used for exhausting. Do not use plastic or metal foil vent.



- Only a 4" (102 mm) heavy metal exhaust vent and clamps may be used.
- Do not use plastic or metal foil vent.

Rigid metal vent:

- Recommended for best drying performance and to avoid crushing and kinking.

Flexible metal vent (acceptable only if accessible to clean):

- Must be fully extended and supported in final dryer location.
- Remove excess to avoid sagging and kinking that may result in reduced airflow and poor performance.
- Do not install in enclosed walls, ceilings, or floors.
- The total length should not exceed 7³/₄ ft (2.4 m).
- The length of flexible metal vent used must be included in the overall vent system design as shown in the “Vent System Chart.”

Home Venting System:

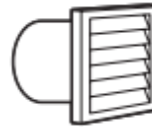
- If using an existing home vent system, clean lint from the entire length of the system before installing the dryer.
- Make sure external exhaust hoods outside of the home is not plugged with lint or other outside debris.
- Replace plastic or metal foil vents with rigid metal or flexible metal vents. Review “Vent System Chart” and, if necessary, modify existing home vent system to achieve best drying performance.

Exhaust hoods:

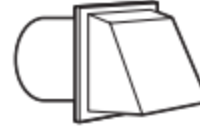
- An exhaust hood should cap the vent to keep rodents and insects from entering the home.
- Must be at least 12" (305 mm) from ground or any object that may obstruct exhaust (such as flowers, rocks, bushes, or snow).
- Do not use an exhaust hood with a magnetic latch.

Recommended Styles:

Acceptable Style:



Louvered Hood



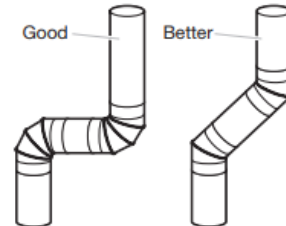
Box Hood



Angled Hood

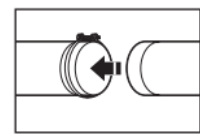
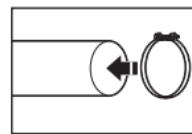
Elbows:

- 45° elbows provide better airflow than 90° elbows.



Clamps:

- Use clamps to seal all joints.
- Exhaust vent must not be connected or secured with screws or other fastening devices that extend into interior of duct and catch lint. Do not use duct tape.

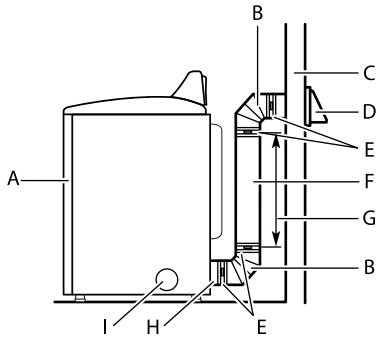


Vent products can be purchased from your dealer. For contact and ordering information, refer to your Quick Start Guide.

Plan Vent System

Recommended exhaust installations:

Typical installations vent the dryer from the rear of the dryer. Other installations are possible.



- A. Dryer
- B. Elbow
- C. Wall
- D. Exhaust hood
- E. Clamps
- F. Rigid metal or flexible metal vent
- G. Vent length necessary to connect elbows
- H. Exhaust outlet
- I. Optional side exhaust outlet

Optional exhaust installations:

⚠ WARNING

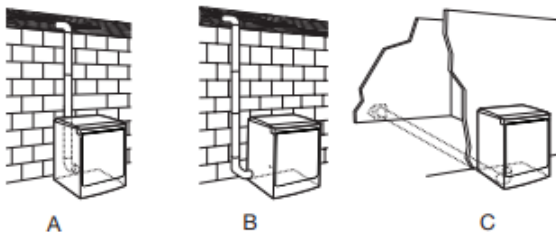
Fire Hazard

Cover unused exhaust holes with a manufacturer's exhaust cover kit.

Contact your local dealer.

Failure to follow these instructions can result in death, fire, electrical shock, or serious injury.

Some models can be converted to exhaust out the right side, left side, or through the bottom. If you prefer, you may contact your local dealer to have the dryer converted.

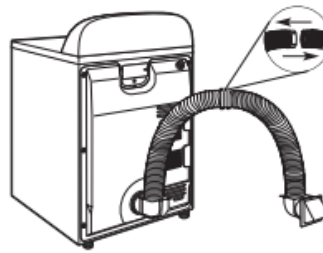


- A. Standard rear offset exhaust installation
- B. Left or right side exhaust installation (available only on select 27" wide models).
- C. Bottom exhaust installation (available only on select 27" wide models).

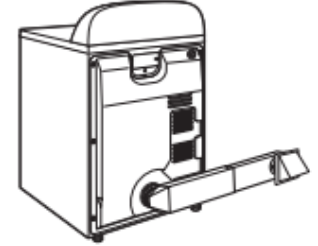
Alternate installations for close clearances

Venting systems come in many varieties. Select the type best for your installation. Two close-clearance installations are shown.

NOTE: The following kits for close-clearance alternate installations are available for purchase. Refer to Quick Start Guide for contact information.



Over-The-Top installation (also available with one offset elbow)



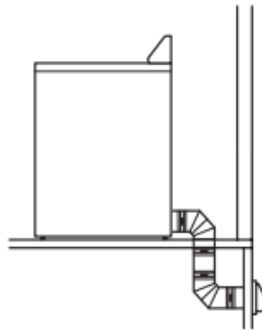
Periscope installation

Special provisions for mobile home installations:

Exhaust vent must be securely fastened to a noncombustible portion of the mobile home and must not terminate beneath the mobile home. Terminate exhaust vent outside.

Determine vent path:

- Select route that will provide straightest and most direct path outdoors.
- Plan installation to use fewest number of elbows and turns.
- When using elbows or making turns, allow as much room as possible.
- Bend vent gradually to avoid kinking.
- Use as few 90° turns as possible.



Determine vent length and elbows needed for best drying performance:

- Use following "Vent System Chart" to determine type of vent material and hood combinations acceptable to use.

NOTE: Do not use vent runs longer than those specified in "Vent System Chart." Exhaust systems longer than those specified will:

- Shorten life of dryer.
- Reduce performance, resulting in longer drying times and increased energy usage.

The "Vent System Chart" provides venting requirements that will help achieve best drying performance.

Vent System Chart		
Number of 90° turns or elbows	Type of vent	Box/louvered or Angled hoods
0	Rigid metal	64 ft (20 m)
1	Rigid metal	54 ft (16.5 m)
2	Rigid metal	44 ft (13.4 m)
3	Rigid metal	35 ft (10.7 m)
4	Rigid metal	27 ft (8.2 m)

NOTE: Side and bottom exhaust installations have a 90° turn inside the dryer. To determine maximum exhaust length, add one 90° turn to the chart.

Vent System Chart (29" Wide Long Vent WED/WGD4985 and WED/WGD4995 Models Only)		
Number of 90° turns or elbows	Type of vent	Box/louvered or Angled hoods
0	Rigid metal	160 ft (48.8 m)
1	Rigid metal	150 ft (45.7 m)
2	Rigid metal	140 ft (42.7 m)
3	Rigid metal	130 ft (39.6 m)
4	Rigid metal	120 ft (36.6 m)
5	Rigid metal	110 ft (33.5 m)

NOTE: For long vent systems, use of box/louvered hoods will improve venting regardless of length.

Additional Elbows

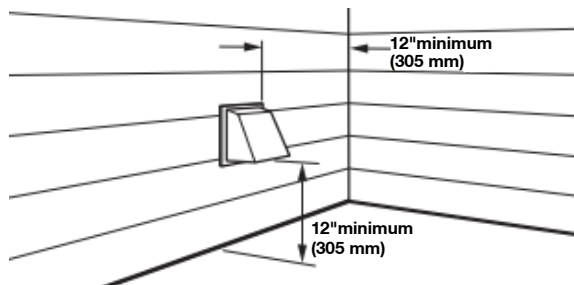
In cases in which the Installation Instructions do not address the vent length for the specific number of elbows required for a particular application, the following calculations may be used. (The total vent system length includes all straight and curved portions of the vent system):

- For 90° elbows, reduce the allowable vent system length by 10 ft (3.05 m).
- For 45° elbows, reduce the allowable vent system length by 6 ft (1.83 m).

For example, if the Installation Instructions state that a dryer is allowed 40 ft (12.2 m) of total vent length with two 90° bends, the total allowable vent length would be reduced by 20 ft (6.0 m) (from 40 ft [12.2 m] to 20 ft [6.0m]).

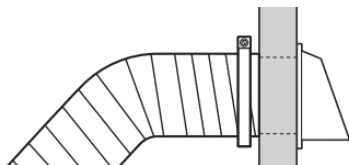
Install Vent System

1. Install exhaust hood



Install exhaust hood and use caulking compound to seal exterior wall opening around exhaust hood.

2. Connect vent to exhaust hood



Vent must fit over the exhaust hood. Secure vent to exhaust hood with 4" (102 mm) clamp. Run vent to dryer location using straightest path possible. Avoid 90° turns. Use clamps to seal all joints. Do not use duct tape, screws, or other fastening devices that extend into interior of vent to secure vent, because they can catch lint.

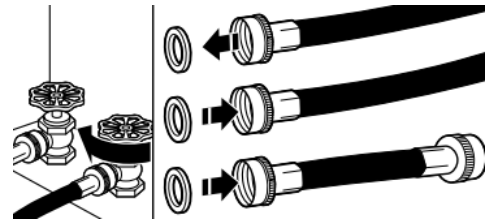
Connect Inlet Hoses

For vented, non-steam models, skip to "Connect Vent." The dryer must be connected to the cold water faucet using the new inlet hoses. Do not use old hoses.

NOTE: Replace inlet hoses after 5 years of use to reduce the risk of hose failure. Record hose installation or replacement dates on the hoses for future reference.

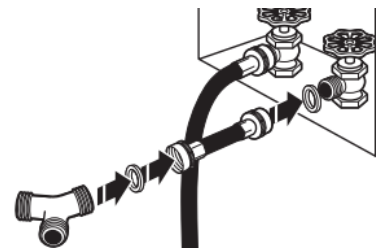
Periodically inspect and replace hoses if bulges, kinks, cuts, wear, or leaks are found.

1. Turn cold water off, remove and replace rubber washer



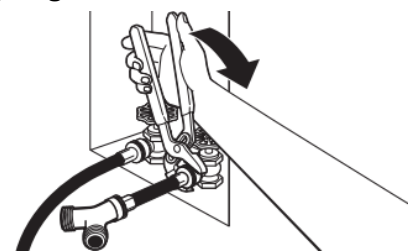
Turn cold water faucet off and remove washer inlet hose. Remove old rubber washer from inlet hose and replace with new rubber washer.

2. Attach short hose and "Y" connector



Attach 2 ft (0.6 m) inlet hose to cold water faucet. Screw on coupling by hand until it is seated on faucet. Then attach "Y" connector to male end of the 2 ft (0.6 m) inlet hose. Screw on coupling by hand until it is seated on connector.

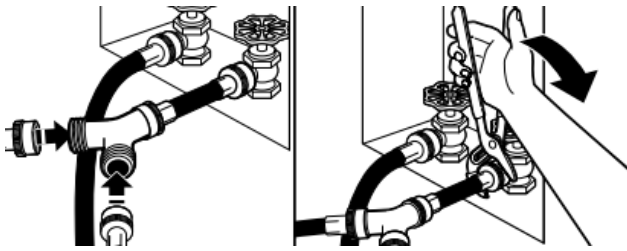
3. Tighten couplings



Using pliers, tighten the couplings with additional two-thirds turn.

NOTE: Do not overtighten. Damage to the coupling can result.

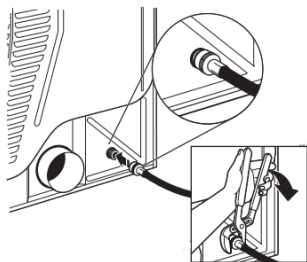
4. Attach long hose to “Y” connector and tighten couplings



Attach one of the 5 ft (1.5 m) inlet hose ends to the “Y” connector. Attach washer cold inlet hose to other side of “Y” connector. Screw on coupling by hand until it is seated on connector. Using pliers, tighten the couplings an additional two-thirds turn.

NOTE: Do not overtighten. Damage to the coupling can result.

5. Attach long hose to dryer fill valve and tighten coupling

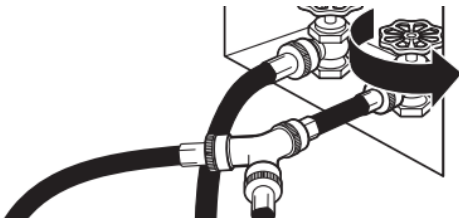


If applicable, remove protective cap from water inlet valve. Attach other end of long hose to fill valve on dryer back panel. Screw on coupling by hand until it is seated on fill valve connector. Using pliers, tighten the couplings an additional two-thirds turn.

NOTE: Do not overtighten. Damage to the coupling can result.

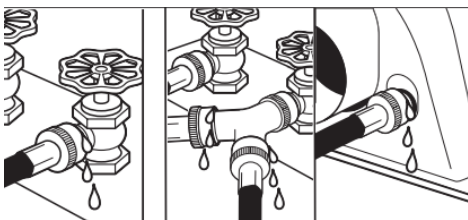
NOTE: The Steam Dryer water connection may be in a different location.

6. Turn on cold water faucet



Check that the water faucet is turned on.

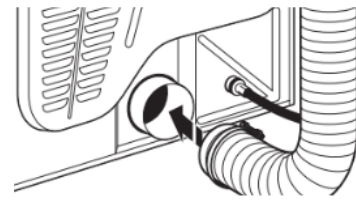
7. Check for leaks



Check for leaks around “Y” connector, faucets, and hoses.

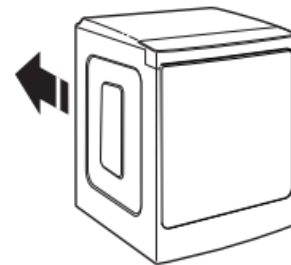
Connect Vent (Vented Models Only)

1. Connect vent to exhaust outlet



Using a 4" (102 mm) clamp, connect vent to exhaust outlet in dryer. If connecting to existing vent, make sure vent is clean. Dryer vent must fit over dryer exhaust outlet and inside exhaust hood. Check that vent is secured to exhaust hood with a 4" (102 mm) clamp.

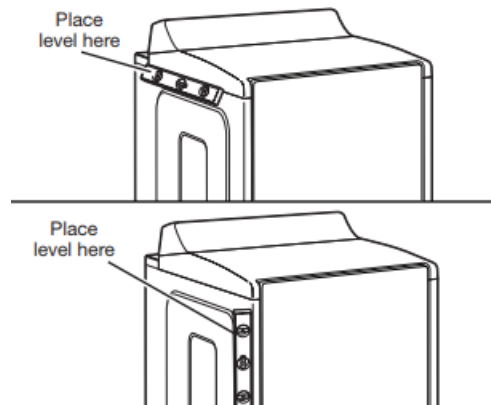
2. Move dryer to final location



Move dryer to final location. Avoid crushing or kinking the vent. After dryer is in place, remove corner posts and cardboard from under dryer.

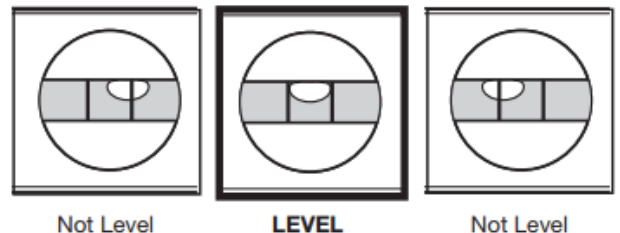
Level Dryer

1. Level Dryer

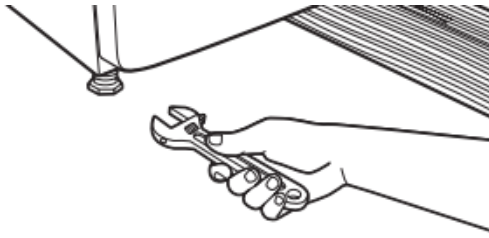


Check levelness of dryer from side to side. Repeat from front to back.

NOTE: The dryer must be level for the moisture-sensing system to operate correctly.



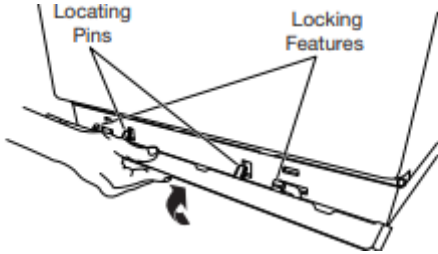
2. Adjust leveling legs



If dryer is not level, prop up using a wood block. Use wrench to adjust legs up or down, and check again for levelness.

Once dryer is level, make sure all four legs are snug against the floor and the dryer does not rock.

3. Install and remove base trim (on some models)



To Install: Place the skirt to bottom of dryer and match the locating pins with the holes. Press the skirt firmly upwards until it snaps into place.

To Remove: On each corner, push down on top of base trim. Rotate away from dryer and remove.

Complete Installation Checklist

- Check that all parts are now installed. If there is an extra part, go back through steps to see what was skipped.
- Check that you have all of your tools.
- Dispose of/recycle all packaging materials.
- Be sure the water faucets are on.
- Check for leaks around "Y" connector, faucet, and hoses.
- Check dryer's final location. Be sure vent is not crushed or kinked.

- Check that dryer is level. See "Level Dryer."
- Remove film on console and any tape remaining on dryer.
- Wipe dryer drum interior thoroughly with a damp cloth to remove any dust.
- For power supply cord installation, plug into a grounded outlet. For direct wire installation, turn on power.
- If you live in a hard water area, use of a water softener is recommended to control the buildup of scale through the water system in the dryer. Over time, the buildup of lime scale may clog different parts of the water system, which will reduce product performance. Excessive scale buildup may lead to the need for certain part replacement or repair.
- To change the door swing from a right-side opening to a left-side opening, see online "Dryer Door Reversal Instructions" for details.
- Set the heat cycle for 20 minutes, and start dryer. Do not select Air Only temperature setting.

If the dryer will not start, check the following:

- Controls are set in a running or "On" position.
- Start button has been pushed firmly.
- Dryer is plugged into an outlet and/or electrical supply.
- Household fuse is intact and tight, or circuit breaker has not tripped.
- Dryer door is closed.
- When the dryer has been running for 5 minutes, open the dryer door and feel for heat. If you feel heat, cancel cycle and close the door.

If you do not feel heat, turn off dryer, and check the following:

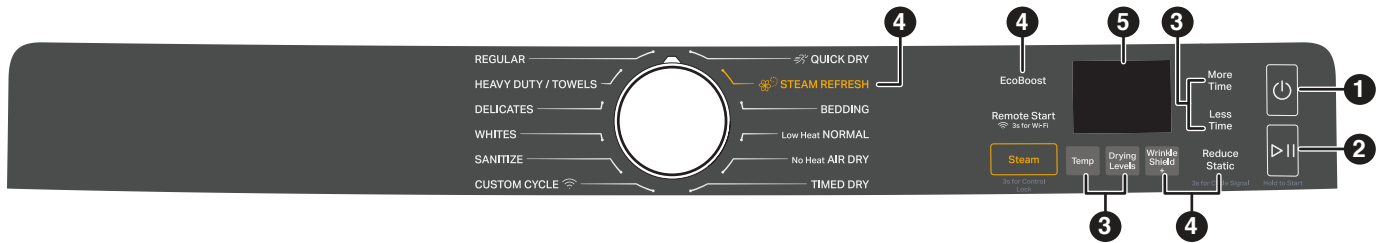
- There may be 2 household fuses or circuit breakers for the dryer. Check that both fuses are intact and tight, or that both circuit breakers have not tripped. If there is still no heat, contact a qualified technician.

NOTE: You may notice an odor when dryer is first heated. This odor is common when heating element is first used. The odor will go away.

If your Airflow screen reads "Check Vent," your dryer vent may be crushed or blocked.

QUICK START GUIDE

CONTROL PANEL AND FEATURES



Not all features, cycles, and options are available on all models. Appearance may vary.

NOTE: The control panel features a sensitive surface that responds to a light touch of your finger. To ensure your selections are registered, touch the control panel with your finger tip, not your fingernail. When selecting a setting or option, simply touch its name.

Button Descriptions

1. POWER/CANCEL

Touch to turn the dryer on and off. Touch to stop/cancel a cycle at any time.

2. START/PAUSE

Touch and hold until LED counts down "3-2-1" and the dryer starts; then let go to start a cycle, or touch once while a cycle is in process to pause it.

3. MODIFIERS

Use to select available modifiers for your dryer. Not all cycles and options are available on all models. See the online "Cycle Guide" for details.

Temp

When using Timed Dry/Quick Cycle, you may select a dry temperature based on the type of load you are drying. Use the warmest setting that is acceptable for the garments in the load. Follow garment label instructions.

NOTE: Automatic Cycles will give you up to 4 temperatures to adjust, depending on the selections that have been made.

Drying Levels

You may adjust the Dryness on Automatic Cycles (except for the Sanitize cycle), if desired.

NOTE: Dryness is for use with Automatic Cycles only.

More Time/Less Time

Touch More Time or Less Time with Timed Dry/Quick Dry Cycles to increase or decrease the length of the cycle.

4. OPTIONS

Use to select available options for your dryer. Not all cycles and options are available on all models.

Wrinkle Shield™ Option

If you will be unable to remove a load immediately, touch Wrinkle Shield™ to add up to 150 minutes of periodic tumbling to help reduce wrinkling. You may select the "+ Steam" setting (on some models only) to add a short steam cycle after 60 minutes to help smooth out wrinkles.

NOTE: If you open the dryer door prior to the end of the Wrinkle Shield™ option, the dryer will pause.

Steam Refresh (steam models only)

This cycle is best for reducing wrinkles and odors from dry items. Cycle time will increase, depending on number of items. This is an independent cycle that cannot be combined with any other cycle.

Cycle Signal

Use this to turn the signal indicating the end of a drying cycle to low, medium, high, or off. The volume you select here will also be applied to the Damp Dry Signal.

NOTE: You may also turn off the tones that sound when a feature, setting, or option is touched. Touch and hold Cycle Signal for about 3 seconds to turn sounds to low, medium, high, or off.

Damp Dry Signal

Touch to select the Damp Dry Signal on or off. When selected, a series of beeps will sound when the load is damp, but not completely dry. This will allow you to take clothes out of the load that do not need to dry completely. The Damp Dry Signal is selected as a default for the Bedding cycles, as a reminder to manually reposition bulky loads midway through the cycle. This option is not available for all cycles. See the online "Cycle Guide" for details.

Reduce Static (on some models)

Touch to add this option to selected Automatic Cycles. The dryer will automatically tumble, pause, and introduce a small amount of moisture into the load to help reduce static. This option adds approximately 3 minutes to the total cycle time.

Control Lock

Use this option to lock the controls of the dryer and avoid an accidental unintended change in cycle options or preferences during a drying cycle. Touch and hold Control Lock or Damp Dry Signal (depending on the model) for 3 seconds to lock or unlock the controls of the dryer. During this time, the LED Display will count down "3-2-1." Once the controls are locked, the LED Display will display "Loc."

NOTE: The Control Lock function may be enabled when recovering from a power failure. To unlock the control, touch and hold Control Lock or Damp Dry Signal (depending on the model) for at least 3 seconds.

EcoBoost™ Option

The EcoBoost™ option will default on only for the Low Heat Normal cycle and is only available on that cycle. This option allows you to increase your energy savings by using a slightly lower heat level. The EcoBoost™ option will increase drying times by approximately 40 minutes, which will be reflected on the LED display. If optimal time is desired, touch EcoBoost to turn off this option.

5. LED DISPLAY

When you select a cycle, its default settings will light up and the estimated time remaining (for Automatic Cycles) will vary depending on selections or actual time remaining for Timed Dry cycles (for Manual Cycles) will be displayed.

CYCLE STATUS

The Cycle Status indicators show the progress of a cycle. Not all indicators are available on all models.

Sensing

The Sensing indicator will light periodically during Sensor Cycles to indicate that the moisture sensor on the dryer is operating. This indicator will not light during Timed Cycles or options such as Wrinkle Shield™ Option.

WiFi Connect

Touch and hold WiFi Connect for 3 seconds during the initial connection of the dryer to your home Wi-Fi network. If the dryer is in a Smart Delay, touch WiFi Connect to override the delay and begin a dry cycle immediately.

Remote Enabled

Press the Remote Enable button any time you want to use the WiFi app. Pressing the button locks out the LCD screen and you will be prompted with a message about the dryer waiting for input from the app. To exit this mode, press the Remote Enable button again.

Wet

The load is still wet and/or the cycle just started.

Damp

This indicator shows that the load is partially dried and items that you may wish to hang up or iron while still damp may be removed.

Cool Down

The dryer has finished drying with heat and is now tumbling the load without heat to cool it down and reduce wrinkling.

Check Vent

The Check Vent indicator is a feature available for Automatic Cycles only. This indicator will show the status of airflow through the dryer and the dryer vent system for the dryer's life. During the sensing phase at the beginning of the cycle, the Check Vent light will come on if a blocked vent or low airflow issue is detected. This light will stay on for the entire cycle. Should the Check Vent light illuminate, refer to the online "Troubleshooting" section for potential solutions to the issue. The light will be cleared upon completion of the cycle, touching Power, or opening the door. The Check Vent light will continue to illuminate during the cycle unless the root cause is resolved.

NOTE: The dryer will continue to operate even while the indicator is lit, but poor airflow can impact dry times and overall performance. See "Check Your Vent System for Good Airflow" in the Owner's Manual.

NOTE: If there are other error issues during a cycle, the Check Vent indicator will not light up. See the online "Troubleshooting" section.

END

This will indicate that the selected cycle has ended and the load may be removed from the dryer. If Wrinkle Shield™ Option has been selected, the dryer may continue to tumble the load, even if "End" is displayed.


Control Lock



This will illuminate once the controls are locked.

OPERATING INSTRUCTIONS


⚠ WARNING



Fire Hazard

No washer can completely remove oil.
Do not dry anything that has ever had any type of oil on it (including cooking oils).
Items containing foam, rubber, or plastic must be dried on a clothesline or by using an Air Cycle.
Failure to follow these instructions can result in death or fire.

⚠ WARNING

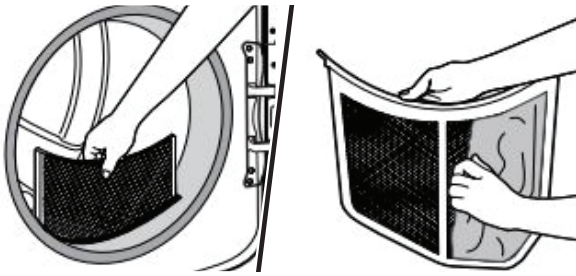


Explosion Hazard

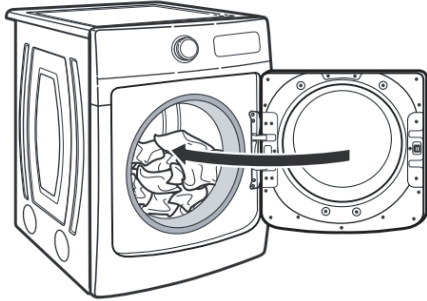
Keep flammable materials and vapors, such as gasoline, away from dryer.
Do not dry anything that has ever had anything flammable on it (even after washing).
Failure to follow these instructions can result in death, explosion, or fire.

WARNING: To reduce the risk of fire, electric shock, or injury to persons, read the IMPORTANT SAFETY INSTRUCTIONS, located in your appliance's Owner's Manual, before operating this appliance.

1. Clean Lint Screen



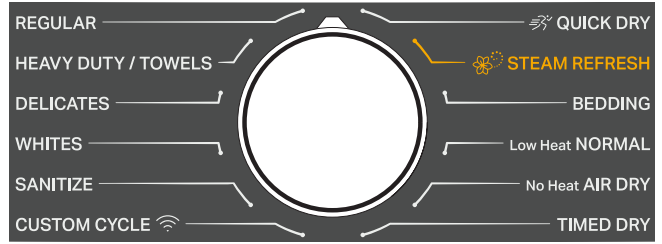
2. Load Clothes; then Close Door



3. Power On/Cancel



4. Select Cycle and Settings



5. Press Start/Pause



Online Ordering Information

For detailed installation instruction and maintenance information, winter storage, and transportation tips, please see the Owner’s Manual included with your machine.

For information on any of the following items, the full cycle guide, warranty detailed product dimensions, or for complete instructions for use and installation, please visit www.whirlpool.com/owners, or in Canada www.whirlpool.ca/owners. This may save you the cost of a service call.



REGISTER PRODUCT



MANUALS & DOWNLOADS



TROUBLESHOOTING & FAQ



REPLACEMENT PARTS



ADD SERVICE PLAN



SCHEDULE SERVICE



FILTERS



REBATES & PROMOS

However, if you need to contact us, use the information listed below for the appropriate region.

United States:
1-866-698-2538

Whirlpool Brand Home Appliances
Customer eXperience Center
553 Benson Road
Benton Harbor, MI 49022-2692

Canada:
1-800-807-6777

Whirlpool Brand Home Appliances
Customer eXperience Centre
200-6750 Century Ave.
Mississauga, Ontario L5N 0B7

IMPORTANT: Retain this guide for future use.

CYCLE GUIDE

This dryer has a unique user interface to help you select the best cycle you need for your load. The controls layout guides you to the optimal cycle in two easy steps: First determine what items are in the load that you are trying to dry. Use that to guide your selection. Then determine how you want the dryer to dry them and select the appropriate selection. Modifiers are preset for the items being dried, but can be changed if desired.

To get the most energy savings and enhanced fabric care from your dryer, use the Automatic cycles. These cycles measure the drying air temperature and moisture levels to turn the dryer off once the load reaches the selected dryness level. Dryer performance and results may vary with service voltage less than 240.

Items to Dry	Cycle	Dryness Level	Temperature	Available Options	Cycle Details
Shirts, blouses, permanent press, synthetics, lightweight items	Regular	Less Normal More	Low Medium High	Wrinkle Shield Steam Reduce Static Ecoboost	Uses Medium heat to dry large loads of mixed fabrics and items. Normal is the most efficient cycle.
Undergarments, blouses, lingerie, performance wear	Delicates	Less Normal More	Low Medium High	Wrinkle Shield Reduce Static	Uses low heat to gently dry delicate items.
Heavyweight items such as towels or heavy work clothes	Heavy Duty/ Towels	Less Normal More	Low Medium High	Wrinkle Shield Steam Reduce Static	Uses high heat to dry large loads of heavy weight, sturdy items.
White, sturdy items	Whites	Less Normal More	Low Medium High	Wrinkle Shield Steam Reduce Static	Uses High heat to dry large loads of white, sturdy fabrics and items.
Sheets, pillowcases, blankets	Bedding	Less Normal More	Low Medium High	Wrinkle Shield Steam Reduce Static	Dries using Medium heat.
Customized Cycle	Custom Cycle	NA	NA	NA	Create customized cycles in just a few steps for commonly used cycles.
Small loads and sportswear	Quick Dry	NA	Low Medium High	Wrinkle Shield	For small loads of 3-4 items.
Shirts, blouses and slacks	Steam Refresh	NA	High	Wrinkle Shield	Uses to smooth out wrinkles and reduce odors from loads left in the dryer too long. DO NOT add dryer sheets.
Large loads of heavyweight items	Sanitize	More	High	Wrinkle Shield	This is a long cycle with High heat which has been proven to reduce household bacteria. This cycle is not recommended for all fabrics. Use for large loads of heavyweight fabrics.
Sheets, blouses, dresses, underwear, permanent press fabrics and some knits	Low Heat Normal	Less Normal More	Low Medium High	Wrinkle Shield	Uses a lower heat to dry heat sensitive fabrics.

Items to Dry	Cycle	Dryness Level	Temperature	Available Options	Cycle Details
Foam, rubber, plastic, other heat sensitive fabrics	No Heat Air Dry	NA	NA	Wrinkle Shield	Uses unheated air to dry heat sensitive items.
Any load Note: Select Air to dry foam, rubber, plastic or heat sensitive fabrics.	Timed Dry	NA	Low Medium High	Wrinkle Shield	Use to dry items to a damp level for items that do not require an entire drying cycle. Select a drying temperature based on the type of fabrics in your load. If you are unsure of the temperature to select for a load, select the lower setting rather than the higher setting.

NOTE: These clothes dryer's Government energy certifications were based on the Low Heat Normal Cycle, EcoBoost Defaulted ON, Highest Temperature and Normal Dryness Level. The as-shipped defaults of Low Heat Normal, EcoBoost ON, Medium Temperature and Wrinkle Shield Off were used. Cycles that are available for post-sale download may use more energy than the Low Heat Normal cycle, upon which the energy use rating of this dryer is based upon.

TROUBLESHOOTING

If you experience	Possible Causes	Solution
Dryer Operation		
Dryer will not run	Door not closed completely.	Make sure the dryer door is closed completely.
	START/PAUSE not touched with fingernail.	Touch and hold START/PAUSE with pad of finger.
	Household fuse is blown or circuit breaker has tripped.	There may be two household fuses or circuit breakers for the dryer. Check that both fuses are intact and tight, or that both circuit breakers have not tripped. Replace the fuses or reset the circuit breaker. If the problem continues, call an electrician.
	Incorrect power supply.	Electric dryers require 240 V power supply. Check with a qualified electrician.
	Wrong type of fuse.	Use a time-delay fuse.
Dryer will not turn off	Dryer door was opened prior to the end of the Wrinkle Prevent option.	If you open the dryer door prior to the end of the Wrinkle Prevent option, the dryer will go into the Pause mode. You will need to touch Power to turn off or touch Start/Pause to continue the Wrinkle Prevent option.
Dryer will not heat	Household fuse is blown or circuit breaker has tripped.	The drum may be turning, but you may not have heat. Electric dryers use two household fuses or circuit breakers. Replace the fuses or reset the circuit breaker. If the problem continues, call an electrician.
	Incorrect power supply.	Electric dryers require 240 V power supply. Check with a qualified electrician.
	Supply line valve not open.	For gas dryers, make sure that the valve on the gas supply line is open.
Unusual Noise		
Thumping noise	Dryer hasn't been used in a while.	This is normal. The thumping sound should diminish after a few minutes of use.
Rattling or vibrating noise	A small object caught between the edges of dryer drum.	Check the front and rear edges of the drum for small objects. Clean out pockets before laundering.
	Dryer isn't properly leveled.	The dryer may vibrate if not properly installed. See the Installation Instructions. All four dryer feet should be in firm contact with the floor.
	Clothing is balled up in dryer.	When balled up, the load will bounce, causing the dryer to vibrate. Separate the load items and restart the dryer.
Clicking noise	Gas valve operating.	On gas dryers, you may hear the gas valve clicking as it opens and closes. This is normal.
Dryer Results		
Drying times are too long and clothes are not getting dry	Lint screen is clogged with lint.	Clean lint screen before each load.
	Eco Dry option is on.	For optimal dry times, turn off the Eco Dry option.
	The exhaust vent or outside exhaust hood is clogged with lint, restricting air movement.	Run the dryer for 5–10 minutes. Hold your hand under the outside exhaust hood to check air movement. If you do not feel air movement, clean exhaust system of lint or replace exhaust vent with heavy metal or flexible metal vent. See the Installation Instructions.
	The exhaust vent is not the correct length.	Check that the exhaust vent is not too long or has too many turns. Long venting will increase drying times. See the Installation Instructions.
	The exhaust vent diameter is not the correct size.	Use 4" (102 mm) diameter vent material.
	The dryer is not level.	Clothes not contacting the moisture sensors during Sensor Cycles. See "Level Dryer" in the Installation Instructions.
	The load is too large and heavy to dry quickly.	Separate the load to tumble freely.

If you experience	Possible Causes	Solution
Dryer Results (Cont.)		
Drying times are too long and clothes are not getting dry (Cont.)	Fabric softener sheets are blocking the grille.	The air outlet grille is just inside the door, behind the lint screen. Check that it is not blocked by a fabric softener sheet. Use only one fabric softener sheet, and use it only once.
	The dryer is located in a room with temperature below 45°F (7°C).	Proper operation of dryer cycles requires temperatures above 45°F (7°C).
	The dryer is located in a closet.	Closet doors must have ventilation openings at the top and bottom of the door. The front of the dryer requires a minimum of 1" (25 mm) of airspace, and, for most installations, the rear of the dryer requires 5" (127 mm). See the Installation Instructions.
Cycle time is too short	The load may not be contacting the sensor strips on Sensor Cycles.	Level the dryer. See the Installation Instructions. All four dryer feet should be in firm contact with the floor.
	The Sensor Cycle is ending early.	Change the dryness level setting on Sensor Cycles. Increasing or decreasing the dryness level will change the amount of drying time in a cycle.
Lint on load	Lint screen is clogged with lint.	Clean lint screen before each load.
Stains on load	Improper use of fabric softener.	Add dryer fabric softener sheets at the beginning of the cycle. Fabric softener sheets added to a partially dried load can stain your garments.
Stains on drum	Loose dyes in clothes.	Drum stains are caused by dyes in clothing (usually blue jeans). These will not transfer to other clothing.
Loads are wrinkled	The load was not removed from dryer at the end of the cycle.	NOTE: Refer to garment care label instructions. Dry-clean-only garments are not recommended.
	The dryer was tightly packed.	Dry smaller loads that can tumble freely. Results may also vary depending on fabric type.
Odors	Recent painting, staining, or varnishing in the area where your dryer is located.	Ventilate the area. When the odors or fumes are gone from the area, rewash and dry the clothing.
	The electric dryer is being used for the first time.	The new electric heating element may have an odor. The odor will be gone after the first cycle.
Load too hot	Load removed before cool down portion of cycle complete.	Allow the dryer to complete the cool down portion of the cycle before removing the load.
	Using Timed Dry cycle with a high temperature setting.	Select a Sensor cycle with a lower heat setting to avoid over drying the load.
Dryer Displaying Code Message or Indicator is Lit		
"PF" (power failure)	The drying cycle has been interrupted by a power failure.	Touch and hold START to restart the dryer cycle or touch POWER to clear the display.
"L2" Diagnostic Code (low or no line voltage condition)	There may be a problem with your home power supply, keeping the dryer's heater from turning on.	The dryer will continue to run when this diagnostic code is present. Touch any setting or option name to clear the code from the display and return to the estimated time remaining. NOTE: This error will only show during the initial installation. Try the following: Check to see if a household fuse has blown or circuit breaker has tripped. Electric dryers use two household fuses or breakers. Replace the fuse or reset the circuit breaker. Confirm that the power cord is properly installed. Refer to the Installation Instructions for details. Select a Timed Dry heated cycle, and restart the dryer. If the message persists, consult a qualified electrician.

If you experience	Possible Causes	Solution
Dryer Displaying Code Message or Indicator is Lit (Cont.)		
"F# E#" (F1 E1, F3 E1, etc.) variable service codes	The dryer is in need of service.	If a code beginning with an "F" appears in the display, alternating between F# and E#, the dryer control has detected a problem that requires service. Call for service.
Check Vent indicator is lit.	The lint screen or vent is clogged; the vent is crushed or kinked or has too many turns.	<p>The dryer will continue to run when this indicator is lit.</p> <p>Try the following:</p> <p>Clean lint screen.</p> <ul style="list-style-type: none"> • Check to see if the vent run from the dryer to the wall is crushed or kinked. • Confirm that the vent run from the dryer to the wall is free of lint and debris. • Confirm that the exterior vent exhaust hood is free of lint and debris. • Confirm that your vent system falls within the recommended run length and number of elbows for the type of vent you are using. Refer to "Plan Vent System" in the Installation Instructions for details. • Select a Timed Dry heated cycle, and restart the dryer. • If the indicator remains lit, have your entire home venting run cleaned.
"Loc"	The Control Lock is enabled.	Touch and hold CONTROL LOCK for 3 seconds to unlock the controls of the dryer. During this time, the LED Display will count down "3-2-1." When the Control Lock is disabled, the LED Display will clear.

Votre sécurité et celle des autres sont très importantes.

Nous donnons de nombreux messages de sécurité importants dans ce manuel et sur votre appareil. Assurez-vous de toujours lire tous les messages de sécurité et de vous y conformer.



Voici le symbole d'alerte de sécurité.

Ce symbole d'alerte de sécurité vous signale les dangers potentiels de décès et de blessures graves.

Tous les messages de sécurité suivront le symbole d'alerte de sécurité et le mot « DANGER » ou « AVERTISSEMENT ». Ces mots signifient :

⚠ DANGER

Risque possible de décès ou de blessure grave si vous ne suivez pas immédiatement les instructions.

⚠ AVERTISSEMENT

Risque possible de décès ou de blessure grave si vous ne suivez pas les instructions.

Tous les messages de sécurité vous diront quel est le danger potentiel, comment réduire le risque de blessure et ce qui peut se produire en cas de non-respect des instructions.



AVERTISSEMENT —« Risque d'incendie »

- L'installation de la sècheuse doit être effectuée par un installateur qualifié.
- Installer la sècheuse conformément aux instructions du fabricant et aux codes.
- Ne pas installer la sècheuse avec des matériaux d'évacuation en plastique flexible ou un conduit métallique flexible (type aluminium). Si un conduit métallique souple est installé, celui-ci doit être d'un type spécifique identifié par le fabricant de l'appareil et convenir à une utilisation avec les sècheuses à linge. Les matériaux d'évacuation souples sont connus pour s'affaisser, être facilement écrasés et piéger la charpie. Ces situations obstrueront le débit d'air de la sècheuse et augmenteront le risque d'incendie.
- Pour réduire le risque de blessure grave ou de décès, suivre toutes les instructions d'installation.
- Conserver ces instructions.

IMPORTANTES INSTRUCTIONS DE SÉCURITÉ

AVERTISSEMENT : Afin de réduire le risque d'incendie, de décharge électrique ou de blessures lors de l'utilisation de l'appareil, il convient d'observer certaines précautions fondamentales, notamment :

- Lire toutes les instructions avant d'utiliser l'appareil.
 - Ne pas sécher d'articles qui ont été précédemment nettoyés, lavés, trempés ou tachés avec de l'essence, des solvants pour nettoyage à sec ou d'autres substances inflammables ou explosives; ces substances dégagent des vapeurs qui pourraient s'enflammer ou exploser.
 - Risque de suffocation et de blessure par coincement : Ne pas laisser des enfants jouer sur l'appareil ou à l'intérieur de celui-ci. Une surveillance étroite des enfants est nécessaire lorsque l'appareil est utilisé à proximité d'enfants.
 - Avant de retirer l'appareil du service ou pour le mettre au rebut, enlever la porte du compartiment de séchage.
 - Ne pas accéder à l'intérieur de l'appareil pendant le fonctionnement du tambour.
 - Ne pas installer ou entreposer cet appareil dans un endroit où il serait exposé aux intempéries.
 - Ne pas effectuer d'intervention non autorisée sur les commandes.
 - Ne pas réparer ou remplacer une quelconque pièce de l'appareil ou effectuer un entretien qui ne serait pas expressément recommandé dans les instructions d'entretien de l'utilisateur ou dans les instructions de réparation par l'utilisateur et s'assurer de bien comprendre ces instructions et d'être capable de les exécuter.
 - Ne pas utiliser d'assouplissant ou de produits pour éliminer l'électricité statique à moins que cela ne soit recommandé par le fabricant de l'assouplissant ou du produit.
 - Ne pas sécher à la chaleur des articles contenant du caoutchouc mousse ou des matières similaires.
 - Nettoyer le filtre à charpie avant ou après chaque charge.
 - La zone située autour de l'ouverture d'évacuation et les zones adjacentes doivent être propres, exemptes de peluches et poussières.
 - L'intérieur de l'appareil et le conduit d'évacuation doivent être nettoyés régulièrement par un personnel d'entretien qualifié.
 - Ne pas placer d'articles tachés d'huile de cuisson dans la sècheuse. Les articles couverts d'huile de cuisson peuvent provoquer une réaction chimique et enflammer la charge de vêtements. Pour réduire le risque d'incendie dû à des charges contaminées, la partie finale du programme de séchage par culbutage a lieu sans chaleur (période de refroidissement). Éviter d'arrêter une sècheuse en phase de culbutage avant la fin du programme de séchage, à moins de retirer et d'étendre rapidement tous les articles afin que la chaleur se dissipe.
 - Ne pas utiliser de pièces de remplacement qui n'ont pas été recommandées par le fabricant (c.-à-d., des pièces fabriquées à la maison à l'aide d'une imprimante 3D).
 - Voir les instructions d'installation pour les exigences de mise à la terre et l'installation.
 - Ne pas installer de ventilateur secondaire dans le conduit d'évacuation
- REMARQUE :** L'avertissement de ventilateur secondaire ne s'applique pas aux sècheuses conçues pour être installées dans un système où il y a plusieurs sècheuses, avec un système de conduit d'évacuation conçu sur mesure et installé selon les directives du fabricant de la sècheuse.

CONSERVER CES INSTRUCTIONS

INSTRUCTIONS IMPORTANTES DE SÉCURITÉ

POUR METTRE L'ANCIENNE SÈCHEUSE AUX REBUTS OU POUR LA REMISER, ENLEVER LA PORTE.

CONSERVER CES INSTRUCTIONS

Guide de connexion Internet pour les appareils connectés uniquement

IMPORTANT : Il est de la responsabilité de l'utilisateur de bien installer l'appareil avant de l'utiliser. Bien lire et suivre le guide d'installation qui accompagne l'appareil.

La connectabilité nécessite un réseau Wi-Fi et la création d'un compte. Les fonctions de l'application peuvent changer. Des frais de transfert de données peuvent s'appliquer. Une fois installée, lancer l'application. Suivre les étapes de configuration du compte d'utilisateur et de connexion de l'appareil.

Il faut :

- Un routeur sans fil compatible Wi-Fi à 2,4 GHz avec sécurité WPA2. Pour vérifier les capacités du routeur, consulter le manuel d'instructions du fabricant du routeur.
- Le routeur devra être en marche et connecté à Internet.
- Le numéro SAID à 10 caractères de votre appareil. Le numéro SAID est imprimé sur une étiquette collée sur l'appareil ou affiché à l'écran ACL.

Déclaration de conformité de la Commission fédérale des communications (FCC)

Cet appareil est conforme à la norme FCC, partie 15. Le bon fonctionnement de l'appareil est fonction de deux conditions :

1. Cet appareil ne doit pas produire de brouillage dommageable et
2. Cet appareil doit accepter tout brouillage radioélectrique subi, même si le brouillage est susceptible d'en compromettre le fonctionnement.

Tous changements ou toutes modifications n'ayant pas été expressément approuvés par la partie responsable de la conformité pourraient annuler l'autorité de l'utilisateur à utiliser l'appareil.

Avis de conformité d'Industrie Canada (IC)

Cet appareil satisfait aux prescriptions des documents CNR/RSS d'Industrie Canada (utilisation sans licence). Le bon fonctionnement de l'appareil est fonction de deux conditions :

1. Cet appareil ne doit pas produire de brouillage.
2. Cet appareil doit être compatible avec n'importe quelle interférence, y compris des interférences causées par l'utilisation involontaire de l'appareil.

En vertu des règlements d'Industrie Canada, cet émetteur radio ne peut fonctionner qu'à l'aide d'une antenne d'un type et de gain maximum (ou moins) approuvé pour l'émetteur par Industrie Canada. Pour réduire les interférences radio potentielles pour les autres utilisateurs, le type d'antenne et son gain doivent être choisis de sorte que la puissance isotrope rayonnée équivalente (PIRE) ne dépasse pas ce qui est nécessaire pour une communication réussie.

Pour satisfaire aux exigences de la FCC et d'Industrie Canada sur les l'exposition aux radiations de radiodiffusion, les antennes utilisées avec cet émetteur doivent être installées de telle sorte qu'il y ait une distance de 20 cm ou plus séparant la source de radiation (antenne) et toute personne en tout temps et ne doit pas être co-utilisée ou fonctionner en même temps qu'une autre antenne ou qu'un émetteur.

Si cet appareil cause des interférences nuisibles à la réception radio ou télévision, pouvant être déterminées par le fait d'allumer et d'éteindre l'appareil, l'utilisateur est encouragé à essayer de corriger les interférences en suivant l'un des conseils suivants :

- Réorienter ou déplacer l'antenne de réception.
- Augmenter la distance séparant l'appareil du récepteur.
- Brancher l'appareil sur un circuit différent de celui où le récepteur est branché.
- Prendre contact avec un revendeur ou un technicien radio/télévision qualifié pour obtenir de l'aide.

ENTRETIEN ET NETTOYAGE DE LA SÈCHEUSE

Nettoyage de l'emplacement de la sècheuse

⚠ AVERTISSEMENT



Risque d'explosion

Garder les matières et les vapeurs inflammables, telles que l'essence, à l'écart de la sècheuse.

Ne pas faire sécher un article qui a déjà été touché par un produit inflammable (même après un lavage).

Placer la sècheuse au moins 18 po (460 mm) au-dessus du sol pour une installation dans un garage.

Le non-respect de ces instructions peut causer un décès, une explosion ou un incendie.

Éviter de laisser autour de la sècheuse des éléments qui pourraient obstruer la circulation de l'air et empêcher le bon fonctionnement de la sècheuse. Ceci implique de dégager également les éventuelles piles de vêtements placées devant la sècheuse.

Nettoyage de l'intérieur de la sècheuse

Nettoyage du tambour de la sècheuse :

1. Utiliser un produit de nettoyage ininflammable ou un détergent à vaisselle doux mélangé à une faible concentration et de l'eau très chaude et frotter avec un chiffon doux.

- Rincez soigneusement avec une éponge ou une serviette mouillée.
- Faire culbuter une charge de vêtements ou de serviettes propres pour sécher le tambour.

OU

2. Utiliser un chiffon en microfibre et de l'eau chaude dans un flacon de vaporisation pour nettoyer le tambour et une deuxième serviette en microfibre pour le séchage.

REMARQUE : Les vêtements contenant des teintures instables, tels les jeans en denim bleu ou articles en coton de couleur vive, peuvent décolorer l'intérieur de la sècheuse. Ces taches ne sont pas nocives pour votre sècheuse et ne tacheront pas les vêtements des charges futures. Faire sécher les articles à teinture instable sur l'envers pour éviter le transfert de la teinture.

Retrait de la charpie accumulée

À l'intérieur de la caisse de la sècheuse :

Il faut retirer la charpie accumulée dans le conduit d'évacuation tous les 2 ans ou plus souvent, selon l'utilisation de la sècheuse. Le nettoyage doit être effectué par un réparateur qualifié ou un nettoyeur de systèmes de ventilation.

À l'intérieur du conduit d'évacuation :

Il faut retirer la charpie accumulée dans le conduit d'évacuation tous les 2 ans ou plus souvent, selon l'utilisation de la sècheuse.

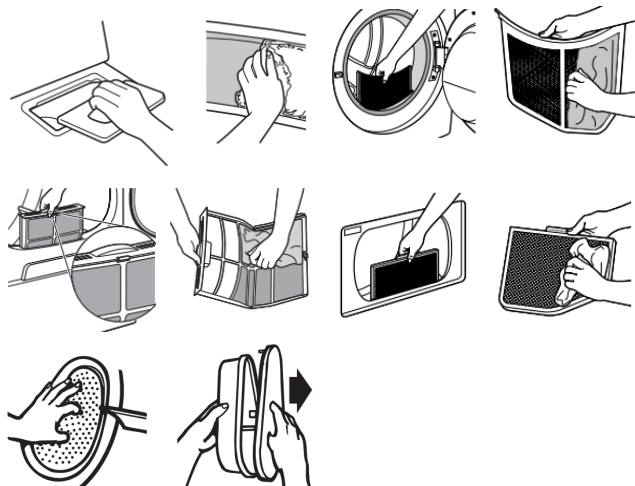
Nettoyage du filtre à charpie

Nettoyage avant chaque charge :

Le filtre à charpie peut être situé dans l'ouverture de la porte ou sur le dessus de la sècheuse selon le modèle. Un filtre obstrué de charpie peut augmenter la durée de séchage.

Nettoyage :

1. Retirer le filtre à charpie. Au besoin, appuyer sur l'onglet pour dégager et ouvrir le filtre à charpie. Retirer la charpie du filtre en la roulant avec les doigts. Ne pas rincer ni laver le filtre pour enlever la charpie. La charpie mouillée s'enlève difficilement.



2. Bien remettre le filtre à charpie en place.

IMPORTANT :

- Ne pas faire fonctionner la sècheuse avec un filtre à charpie déplacé, endommagé, bloqué ou manquant. Une telle action peut causer une surchauffe et des dommages à la sècheuse et aux tissus.
- Si de la charpie tombe dans la sècheuse au moment du retrait du filtre, vérifier le conduit d'évacuation et retirer la charpie. Voir la section « Exigences concernant l'évacuation » dans les Instructions d'installation.
- Au besoin, nettoyer l'espace où se trouve la charpie. À l'aide d'un aspirateur, enlever doucement toute charpie qui s'est accumulée à l'extérieur du filtre à charpie.

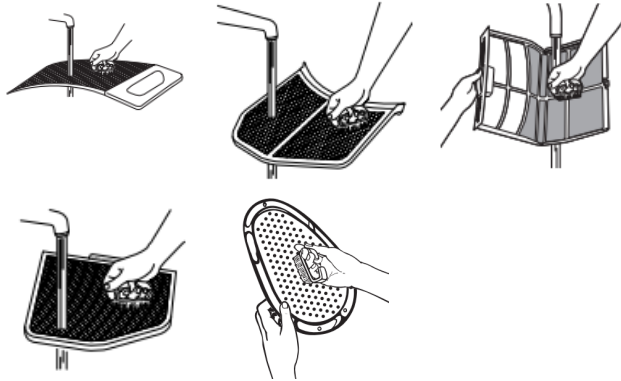
Nettoyage au besoin :

Des résidus de détergent ou d'assouplisseur de tissu peuvent s'accumuler sur le filtre à charpie. Cette accumulation peut entraîner des temps de séchage plus longs, ou l'arrêt de la sècheuse avant que la charge ne soit complètement sèche. Si de la charpie tombe du filtre alors qu'il est dans la sècheuse, il est probablement obstrué. Nettoyer le filtre à charpie avec une brosse en nylon tous les 6 mois ou plus fréquemment s'il devient obstrué par suite d'une accumulation de résidus.

Pour laver :

1. Retirer la charpie du filtre en la roulant avec les doigts.
2. Mouiller les deux côtés du filtre à charpie avec de l'eau chaude.

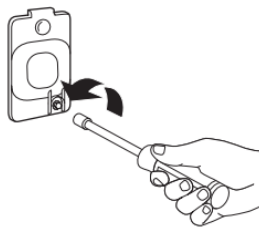
- Mouiller une brosse en nylon avec de l'eau chaude et du détergent liquide. Frotter le filtre à charpie avec la brosse pour enlever l'accumulation de résidus.



- Rincer le filtre à l'eau chaude.
- Bien sécher le filtre à charpie avec une serviette propre. Réinstaller le filtre dans la sècheuse.

Changement de l'ampoule d'éclairage du tambour (sur certains modèles)

- Débrancher la sècheuse ou déconnecter la source de courant électrique.
- Ouvrir la porte de la sècheuse. Trouver le couvercle de l'ampoule d'éclairage sur la paroi arrière de la sècheuse. À l'aide d'un tourne-écrou de 1/4 po (6,5 mm) ou d'une clé à douille, retirer la vis située à l'angle inférieur droit du couvercle. Enlever le couvercle.



- Tourner l'ampoule dans le sens antihoraire. Remplacer l'ampoule uniquement par une ampoule de 10 W pour appareil électroménager. Réinstaller le couvercle et le fixer avec la vis.
- Brancher la sècheuse ou reconnecter la source de courant électrique.

Vérification d'une circulation d'air adéquate pour le système d'évacuation

⚠ AVERTISSEMENT



Risque d'incendie

- Utiliser un conduit d'évacuation en métal lourd.
- Ne pas utiliser de conduit d'évacuation en plastique.
- Ne pas utiliser de conduit d'évacuation en aluminium.
- Le non-respect de ces instructions peut causer un décès ou un incendie.

Bonne circulation d'air

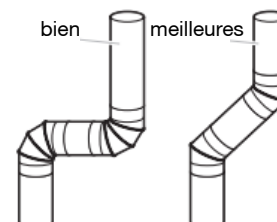
Une sècheuse a besoin de chaleur et d'une circulation d'air adéquate pour sécher efficacement les vêtements. Une ventilation adéquate réduit les durées de séchage et accroît les économies d'énergie. Voir les Instructions d'installation.

Le système d'évacuation fixé à la sècheuse joue un rôle important dans la circulation de l'air. Des conduits d'évacuation bloqués ou écrasés, ainsi qu'une installation inadéquate de l'évacuation, diminuent la circulation d'air et les performances de la sècheuse.

Les interventions de dépannage causées par une ventilation incorrecte ne sont pas couvertes par la garantie et seront à la charge du client, quel que soit l'installateur de la sècheuse. Pour nettoyer ou réparer l'évacuation d'air, contacter un technicien qualifié dans l'évacuation d'air.

Pour maintenir une bonne circulation d'air

- Nettoyer le filtre à charpie avant chaque charge.
- Remplacer le matériau de conduits d'évacuation en plastique ou en aluminium par des conduits d'évacuation lourds et rigides de 4 po (102 mm) de diamètre.
- Toujours employer les conduits d'évacuation les plus courts possibles.
- Ne pas utiliser plus de quatre coudes à 90° dans un circuit d'évacuation, car chaque inclinaison et courbe réduit le flux d'air.



- Retirer la charpie et les résidus du clapet d'évacuation.
- Retirer la charpie sur toute la longueur du circuit d'évacuation au moins tous les 2 ans. Après le nettoyage, suivre les instructions d'installation pour une vérification finale de l'appareil.
- Dégager tout article qui se trouverait devant la sècheuse.

Précautions à prendre avant une période de non-utilisation, un entreposage ou un déménagement

Entretien pour non-utilisation et entreposage

Si l'utilisateur doit partir en vacances ou n'utilise pas la sècheuse pendant une période prolongée, il convient d'exécuter les opérations suivantes :

1. Débrancher la sècheuse ou déconnecter la source de courant électrique.
2. Nettoyer le filtre à charpie. Voir la section « Nettoyage du filtre à charpie ».
3. Modèles à vapeur uniquement : Fermer l'alimentation en eau de la sècheuse. Ceci permet d'éviter les inondations (dues à une augmentation de la pression hydraulique) lorsque vous êtes absent.


Précautions à prendre avant un déménagement

Sécheuses alimentées par cordon d'alimentation :

1. Débrancher le cordon d'alimentation électrique.
2. Modèles avec génération de vapeur uniquement : Fermer le robinet d'eau. Déconnecter le tuyau d'arrivée d'eau du robinet, puis vidanger le tuyau. Transporter le tuyau séparément.
3. S'assurer que les pieds de nivellement sont solidement fixés à la base de la sècheuse.
4. Utiliser du ruban adhésif pour fixer la porte de la sècheuse.
5. Sur les modèles avec garniture de base, retirer la garniture de base avant de déplacer la sècheuse. Voir la section « Installer et retirer les pieds de garniture de base (sur certains modèles) » pour les détails.

Pour les sècheuses avec raccordement direct :

⚠ AVERTISSEMENT



Risque de décharge électrique

Déconnecter la source de courant électrique avant l'entretien.

Replacer pièces et panneaux avant de faire la mise en marche.

Le non-respect de cette instruction peut causer un décès ou une décharge électrique.

1. Déconnecter la source de courant électrique alimentant le boîtier de distribution (fusibles ou disjoncteur).
2. Déconnecter le câblage.
3. Modèles avec génération de vapeur uniquement : Fermer le robinet d'eau. Déconnecter le tuyau d'arrivée d'eau du robinet, puis vidanger le tuyau. Transporter le tuyau séparément.
4. S'assurer que les pieds de nivellement sont solidement fixés à la base de la sècheuse.
5. Utiliser du ruban adhésif pour fixer la porte de la sècheuse.
6. Sur les modèles avec garniture de base, retirer la garniture de base avant de déplacer la sècheuse. Voir la section « Installer et retirer les pieds de garniture de base (sur certains modèles) » pour les détails.

Hivérisation de la sècheuse :

1. Débrancher la sècheuse ou déconnecter la source de courant électrique.
2. Fermer le robinet d'eau.
3. Déconnecter les tuyaux d'arrivée d'eau des robinets et les vider.

Réutilisation de la sècheuse :

1. Vidanger les canalisations d'eau. Reconnecter le tuyau d'arrivée d'eau au robinet. Ouvrir le robinet d'eau.
2. Brancher la sècheuse ou reconnecter la source de courant électrique comme décrit dans les « Instructions d'installation ».

Réinstallation de la sècheuse

Suivre les « Instructions d'installation » pour choisir l'emplacement, ajuster l'aplomb de la sècheuse et la raccorder.

Instructions spécifiques pour les modèles vapeur

Installer et remiser la sècheuse à l'abri du gel. Il est possible que de l'eau stagne dans les tuyaux; ceci pourrait endommager la sècheuse en période de gel. Si la sècheuse doit faire l'objet d'un déménagement ou de remisage au cours d'une période de gel, hivérifier la sècheuse.

Tuyaux d'arrivée d'eau

Remplacer le tuyau d'arrivée d'eau et la crépine de tuyau après 5 ans d'utilisation afin de réduire le risque de défaillance du tuyau. Inspecter périodiquement les tuyaux; les remplacer en cas de renflement, de déformation, de coupure et d'usure ou de fuite.

Lors du remplacement d'un tuyau d'arrivée d'eau, inscrire la date du remplacement.

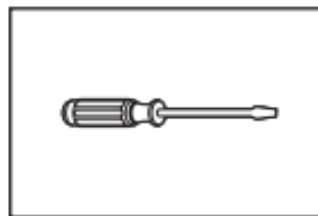
EXIGENCES D'INSTALLATION

Outils et pièces

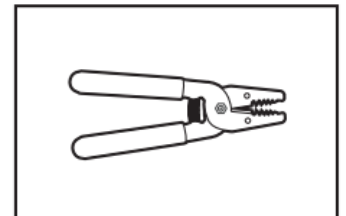
REMARQUE: Installer la sècheuse conformément aux instructions du fabricant et aux codes locaux.

Rassembler les outils et composants nécessaires avant d'entreprendre le processus d'installation. Lire et observer les instructions fournies avec chacun des outils de la liste ci-dessous.

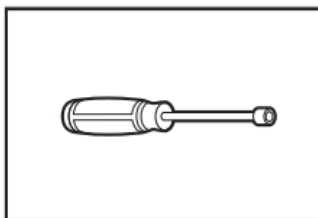
Outils nécessaires pour toutes les installations :



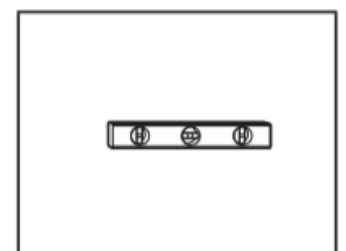
Tournevis à tête plate



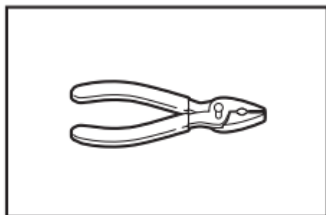
Pince à dénuder



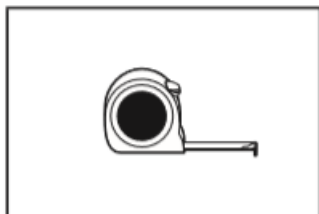
Tourne-écrou de 1/4 po



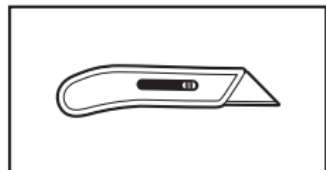
Niveau



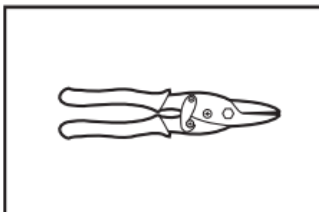
Pince



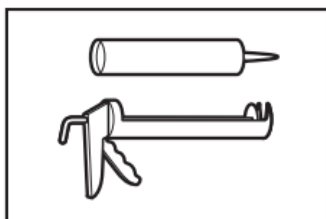
Ruban à mesurer



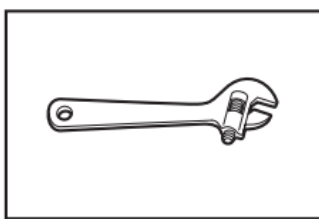
Couteau utilitaire



Cisaille de ferblantier

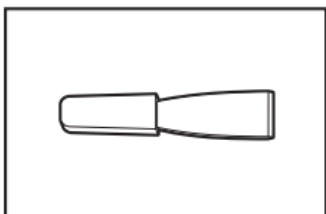


Pistolet à calfeutrage et composé de calfeutrage



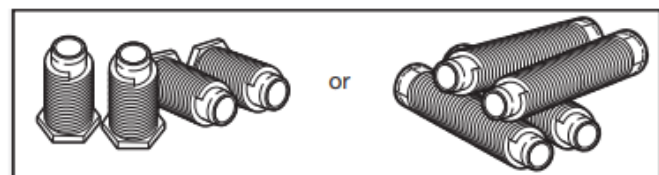
Clé à molette avec ouverture jusqu'à 1 po (25 mm) ou clé à douille hexagonale

Outils supplémentaires requis (sur certains modèles) :



Couteau à mastic

Pièces fournies (tous les modèles) :



Pieds de nivellement (4) (la longueur et l'apparence des pieds varient selon le modèle)

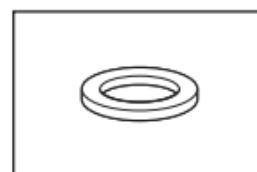
Le sachet de pièces se trouve dans le tambour de la sècheuse. Vérifier que toutes les pièces sont présentes.

REMARQUE : Ne pas utiliser les pieds de nivellement fournis lors de l'installation de la sècheuse avec un piédestal ou d'un ensemble de superposition.

Pièces nécessaires (modèles à vapeur) :



Raccord en « Y »



Rondelle en caoutchouc

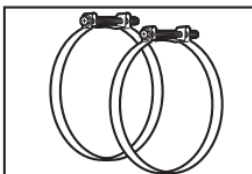


Tuyau d'alimentation de 2 pi (0,6 m)



Tuyau d'alimentation de 5 pi (1,52 m)

Modèles avec conduit d'évacuation :



Brides de conduit, coudes et matériel d'évacuation

Pièces nécessaires (non fournies avec la sècheuse) :

Des pièces supplémentaires seront peut-être nécessaires, selon l'installation. Consulter les codes locaux. Vérifier l'alimentation électrique et le circuit d'évacuation existants. Voir les sections « Installations électriques » et « Exigences concernant l'évacuation » avant d'acheter les pièces.

Les installations pour maison mobile nécessitent un système d'évacuation en métal offert chez le marchand chez qui vous avez acheté votre sècheuse. Pour obtenir plus d'informations et les coordonnées d'entretien, consulter le guide de démarrage rapide.

Accessoires offerts :

Des accessoires et pièces de remplacement sont offerts pour votre modèle. Pour les coordonnées et les renseignements de commande, consulter le guide de démarrage rapide.

Exigences d'Emplacement

⚠ AVERTISSEMENT



Risque d'explosion

Garder les matières et les vapeurs inflammables, telles que l'essence, à l'écart de la sècheuse.

Ne pas faire sécher un article qui a déjà été touché par un produit inflammable (même après un lavage).

Placer la sècheuse au moins 18 po (460 mm) au-dessus du sol pour une installation dans un garage.

Le non-respect de ces instructions peut causer un décès, une explosion ou un incendie.

Vérifier les spécifications des codes. Certains codes limitent ou interdisent l'installation des sècheuses dans un garage, un placard, une maison mobile ou une chambre à coucher. Contacter l'inspecteur en bâtiments local.

Il vous faudra :

- **Modèles avec conduit d'évacuation :** Un emplacement permettant une évacuation appropriée. Voir la section « Exigences concernant l'évacuation ».
- Un circuit distinct de 30 A pour les sècheuses électriques.
- Si un cordon d'alimentation est utilisé, une prise électrique reliée à la terre située à 2 pi (610 mm) maximum d'un des côtés de la sècheuse. Consulter les « Spécifications électriques ».
- Un plancher solide pour soutenir le poids de la sècheuse de 200 lb (90,7 kg). Tenir également compte du poids combiné avec l'appareil voisin.
- **Modèles à vapeur :** Des robinets d'eau froide situés à 4 pi (1,2 m) maximum des valves de remplissage, et une pression d'eau de 20 à 120 lb/po² (138 à 827 kPa). Il est possible d'utiliser l'alimentation en eau de la laveuse en utilisant les pièces nécessaires indiquées dans la section « Pièces nécessaires », lesquelles devront peut-être être achetées (ces pièces ne sont pas incluses avec l'appareil et sont facultatives).
- Un plancher de niveau ayant une pente maximale de 1 po (25 mm) sous l'ensemble de la sècheuse. Si la pente est supérieure à 1 po (25 mm), installer l'ensemble de pieds longs. Si la sècheuse n'est pas de niveau, les vêtements peuvent ne pas culbutter convenablement et les programmes de détection automatiques peuvent ne pas fonctionner correctement.
- Pour une installation dans un garage, placer la sècheuse au moins 18 po (460 mm) au-dessus du plancher. En cas d'utilisation d'un piédestal, il faudra 18 po (460 mm) jusqu'au bas de la sècheuse.
- La sècheuse ne doit pas être installée ou remise dans un endroit où elle sera exposée à l'eau ou aux intempéries.

IMPORTANT : Ne pas faire fonctionner la sècheuse à des températures inférieures à 45 °F (7 °C). À des températures inférieures, la sècheuse pourrait ne pas s'arrêter à la fin des programmes de détection automatique, ce qui entraînerait le prolongement du temps de séchage.

Distances de dégagement à respecter :

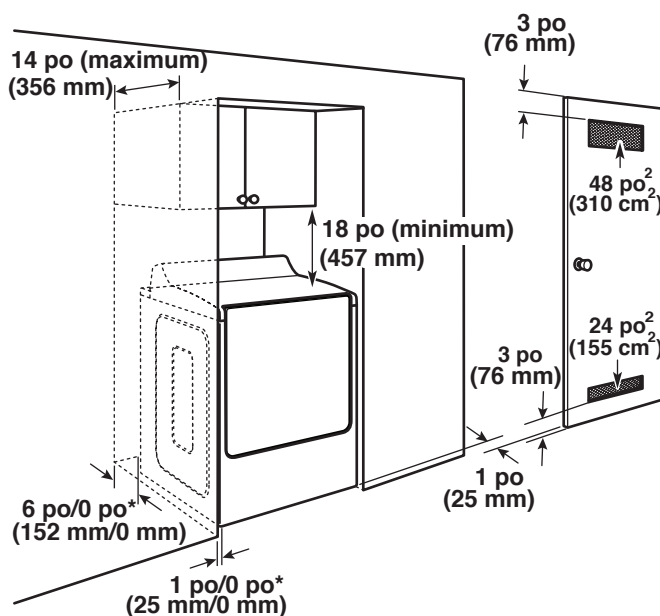
Pour chaque type de configuration, prévoir davantage de dégagement pour faciliter l'installation et l'entretien : laisser suffisamment de dégagement pour les appareils ménagers voisins et pour les murs, les portes et les plinthes. L'espacement doit être assez grand pour permettre d'ouvrir complètement la porte de la sècheuse. Ajouter un espace supplémentaire tout autour de la sècheuse pour réduire le transfert de bruit. Si l'on utilise une porte de placard, des ouvertures d'aération au sommet et au bas de la porte sont nécessaires. Des portes à claire-voie offrant des ouvertures équivalentes de passage de l'air peuvent être utilisées.

Espacement pour une installation dans un encastrement ou dans un placard

Les dimensions indiquées correspondent à l'espacement minimal permis.

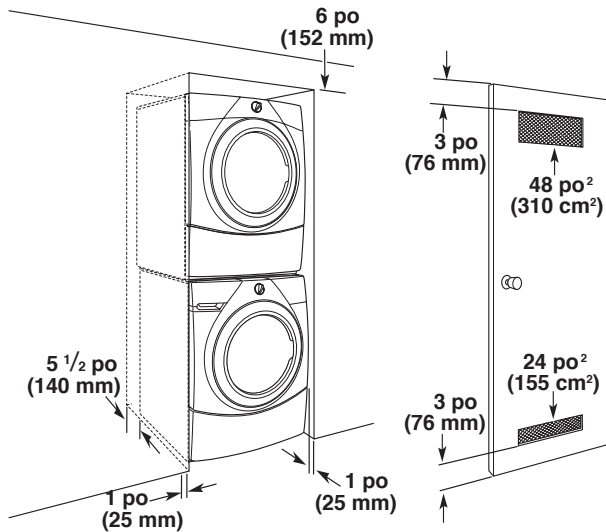
- Prévoir davantage d'espace pour faciliter l'installation et l'entretien.
- Un espace supplémentaire peut être requis pour le mur, la porte, le plancher, les moulures, les conduits d'évacuation et le système de vidange.
- Un espace supplémentaire doit être envisagé de tous les côtés de la sècheuse afin de réduire le transfert de bruit.
- Pour installation dans un placard avec porte, on doit prévoir des ouvertures minimums d'entrée d'air en haut et en bas de la porte pour les modèles avec conduits d'évacuations. Les portes à claire-voie offrant des ouvertures équivalentes de passage de l'air sont acceptables.
- Il faut aussi prendre en compte l'espace requis entre les appareils voisins.

Distances de dégagement recommandées pour l'installation (sècheuse seulement) :



*Dégagement minimum recommandé

Installation dans un placard (laveuse et sècheuse superposées) :



Dégagement d'installation minimal (sècheuse seulement) :

	Avant	Côtés	Arrière	Haut
Encastré	N. D.	0 po (0 mm)	0 po (0 mm)	18 po (457 mm) de largeur pour l'armoire/la tablette
Placard	1 po (25 mm)	0 po (0 mm)	0 po (0 mm)	18 po (457 mm) de largeur pour l'armoire/la tablette

Un espacement arrière de 0 po (0 mm) est autorisé pour l'évacuation à l'arrière seulement.

Pour les modèles à vapeur uniquement, le tuyau d'arrivée ne doit pas être plié.

Installation dans une résidence mobile – Exigences supplémentaires

Cette sècheuse peut être installée dans une maison mobile. L'installation doit satisfaire les critères de la Manufactured Home Construction and Safety Standard, Titre 24 CFR, partie 3280 (anciennement Federal Standard for Mobile Home Construction and Safety, Titre 24 HUD, partie 280) ou de la Norme CAN/CSA- Z240MH pour les maisons mobiles.

Critères à respecter pour une installation dans une maison mobile :

- Un système d'évacuation en métal qui peut être acheté chez votre marchand.
- Il faut prendre des dispositions spéciales dans les maisons mobiles pour l'apport d'air de l'extérieur dans la sècheuse. L'ouverture (telle qu'une fenêtre à proximité) devrait être au moins deux fois plus grande que l'ouverture de décharge de la sècheuse.

Spécifications électriques – É.-U.

C'est à l'utilisateur qu'incombe la responsabilité de :

- Contacter un électricien qualifié.
- S'assurer que le raccordement électrique est adéquat et conforme au code national de l'électricité, ANSI/NFPA 70 – dernière édition, et à tous les codes et règlements locaux en vigueur. Le National Electrical Code impose un raccordement à 4 fils de l'alimentation électrique pour les maisons construites après 1996, les circuits de sècheuse modifiés après 1996 et toutes les installations de maisons mobiles. Pour obtenir un exemplaire des normes des codes ci-dessus, contacter : National Fire Protection Association, One Batterymarch Park, Quincy, MA 02169-7471.
- L'appareil doit être alimenté uniquement par un circuit monophasé à 3 ou 4 fils de 120/240 V CA, 60 Hz (ou 3 ou 4 fils, 120/208 V, si précisé sur la plaque signalétique) sur un circuit séparé et protégé par un fusible ou un disjoncteur de 30 A sur chacun des 2 câbles. On recommande également que cet appareil soit alimenté par un circuit indépendant. Ne pas avoir de fusible dans le circuit neutre ou de liaison à la terre.
- Ne pas utiliser de rallonge.
- Si les codes le permettent et si on utilise un conducteur distinct de mise à la terre, il est recommandé qu'un électricien qualifié vérifie la qualité de la mise à la terre.

Raccordement électrique

Pour installer la sècheuse de façon appropriée, il faut établir le type de raccords électriques que l'on utilisera et suivre les instructions de ce document.

- Cette sècheuse est prête à l'installation avec un raccordement à l'alimentation électrique à 3 fils. Le fil neutre est définitivement raccordé au conducteur neutre (fil blanc) à l'intérieur de la sècheuse. Si les codes d'électricité locaux demandent l'utilisation d'un disjoncteur différentiel de fuite à la terre, l'appareil doit être installé avec un raccordement à 4 fils à l'alimentation électrique. Le fil de terre neutre doit être retiré de la vis du connecteur de terre externe (vis verte) et fixé sous la borne du neutre (fil du centre ou blanc) du bornier. Lorsque le fil neutre est fixé sous la borne du neutre (fil du centre ou blanc) du bornier, la caisse de la sècheuse est isolée du conducteur neutre. Le conducteur vert de mise à la terre du cordon d'alimentation à 4 conducteurs doit être fixé à la caisse de la sècheuse à l'aide de la vis verte de liaison à la terre.
- Si les codes locaux n'autorisent pas le raccordement d'un conducteur neutre au fil neutre, voir le point « Raccordement optionnel à 3 fils ».
- Un raccordement à 4 fils de l'alimentation électrique doit être utilisé lorsque l'appareil est installé dans un lieu où la mise à la terre par le conducteur neutre est interdite. Il est interdit de relier l'appareil à la terre par l'intermédiaire du conducteur neutre dans les cas suivants : (1) nouvelle installation de circuit secondaire effectuée après 1996, (2) maison mobile, (3) véhicule de loisirs, et (4) juridictions dans lesquelles le code local interdit la liaison à la terre par l'intermédiaire du conducteur neutre.

En cas d'utilisation d'un cordon d'alimentation :

Utiliser un ensemble de cordon d'alimentation électrique homologué UL marqué pour utilisation avec les sècheuses à vêtements. L'ensemble doit contenir :

- Un cordon d'alimentation électrique homologué UL de 30 A, 120/240 V minimum. Le câble doit être de type SRD ou SRDT et mesurer au moins 4 pi (1,22 m) de long. Les fils raccordés à la sècheuse doivent se terminer par des cosses rondes ou à fourche à pointes relevées.
- Un serre-câbles (homologation UL).

Si la prise murale ressemble à ceci :



Prise murale à 4 fils (14-30R)

Choisir un câble d'alimentation à 4 fils avec cosses rondes ou à fourche et un serre-câbles homologué UL. Le câble d'alimentation électrique à 4 fils, d'au moins 4 pi (1,22 m) de long, doit comporter 4 fils en cuivre de calibre 10 et pouvoir se brancher sur une prise à 4 fils de type NEMA 14-30 R. Le fil de liaison à la terre (le conducteur de liaison à la terre) peut être vert ou nu. Le conducteur neutre doit être identifié par une gaine blanche.

Si la prise murale ressemble à ceci :



Prise murale à 3 fils (10-30R)

Choisir un câble d'alimentation à 3 fils avec cosses rondes ou à fourche et un serre-câbles homologué UL. Le cordon d'alimentation électrique à 3 fils, d'au moins 4 pi (1,22 m) de long, doit comporter trois fils en cuivre torsadés de calibre no 10 et une fiche à 3 fils correspondante de type NEMA 10-30R.

Pour le raccordement direct :

Le câble d'alimentation doit correspondre à l'alimentation électrique (4 fils ou 3 fils) et être :

- Un câble en cuivre à gaine non métallique ou blindé souple (avec fil de mise à la terre), avec conduit métallique flexible. Tous les fils sous tension doivent être isolés.
- Fil en cuivre plein de calibre 10 (ne pas utiliser d'aluminium) d'au moins 5 pi (1,52 m) de long.

INSTRUCTIONS DE LIAISON À LA TERRE

Pour un appareil avec liaison à la terre et cordon d'alimentation :

Cet appareil doit être relié à la terre. En cas d'anomalie de fonctionnement ou de panne, la liaison à la terre réduira le risque de décharge électrique en offrant au courant électrique un itinéraire d'évacuation de moindre résistance. L'appareil est doté d'un cordon électrique comportant un conducteur de mise à la terre d'équipement et une fiche de branchement de liaison à la terre. La fiche doit être branchée sur une prise de courant appropriée qui soit bien installée et reliée à la terre conformément à tous les codes et règlements locaux.

AVERTISSEMENT : Un raccordement inapproprié du conducteur de mise à la terre de l'équipement peut causer un risque de décharge électrique. En cas de doute quant à la qualité de la mise à la terre de l'appareil, consulter un électricien ou un technicien d'entretien qualifié. Ne pas modifier la fiche fournie avec cet appareil : Si elle ne correspond pas à la prise de sortie, faire installer une fiche appropriée par un électricien qualifié.

Pour un appareil raccordé en permanence :

Cet appareil doit être raccordé à un système de câblage permanent en métal relié à la terre, ou un conducteur de mise à la terre d'équipement doit être en fonction avec les conducteurs de circuit, et raccordé à la borne de mise à la terre d'équipement ou la borne sur l'appareil ménager.

CONSERVER CES INSTRUCTIONS

Spécifications électriques – Canada

⚠ AVERTISSEMENT



Risque de décharge électrique

Brancher l'appareil sur une prise à 4 alvéoles reliée à la terre.

Le non-respect de cette instruction peut causer un décès ou une décharge électrique.

C'est à l'utilisateur qu'incombe la responsabilité de :

- Contacter un électricien qualifié.
- S'assurer que le raccordement électrique est adéquat et conforme à la dernière édition du Canadian Electrical Code, C22.1, et à tous les codes et règlements locaux en vigueur. Pour obtenir un exemplaire des normes des codes ci-dessus, contacter : Canadian Standards Association 178 Rexdale Blvd, Toronto, ON M9W 1R3 CANADA
- L'appareil doit être alimenté uniquement par un circuit monophasé de 120/240 V CA uniquement de 60 Hz à 4 fils, sur un circuit séparé de 30 A, protégé par fusible aux deux extrémités de la ligne. On recommande d'utiliser un fusible ou un disjoncteur temporisé. On recommande également que cet appareil soit alimenté par un circuit indépendant.

- Cette sécheuse est munie d'un cordon d'alimentation certifié UL ou CSA International Certified conçu pour être branché dans un réceptacle mural 14-30R standard. Le cordon mesure 5 pi (1,52 m). Veiller à ce que la prise murale se trouve à proximité de l'emplacement définitif de la sécheuse.



Prise murale à 4 conducteurs (14-30R)

- Si les codes le permettent et si on utilise un conducteur distinct de mise à la terre, il est recommandé qu'un électricien qualifié vérifie la qualité de la mise à la terre.
- Ne pas utiliser de rallonge.

Pour plus d'informations ou pour obtenir un remplacement du cordon d'alimentation, consulter les coordonnées figurant dans le guide de démarrage rapide.

INSTRUCTIONS DE LIAISON À LA TERRE

Pour un appareil avec liaison à la terre et cordon d'alimentation :

Cet appareil doit être relié à la terre. En cas d'anomalie de fonctionnement ou de panne, la liaison à la terre réduira le risque de décharge électrique en offrant au courant électrique un itinéraire d'évacuation de moindre résistance. L'appareil est doté d'un cordon électrique comportant un conducteur de mise à la terre d'équipement et une fiche de branchement de liaison à la terre. La fiche doit être branchée sur une prise de courant appropriée qui soit bien installée et reliée à la terre conformément à tous les codes et règlements locaux.

AVERTISSEMENT : Un raccordement inapproprié du conducteur de mise à la terre de l'équipement peut causer un risque de décharge électrique. En cas de doute quant à la qualité de la mise à la terre de l'appareil, consulter un électricien ou un technicien d'entretien qualifié. Ne pas modifier la fiche fournie avec cet appareil; si elle ne correspond pas à la prise de sortie, faire installer une prise appropriée par un électricien qualifié.

CONSERVER CES INSTRUCTIONS

INSTALLATION

Installation des pieds de réglage de l'aplomb

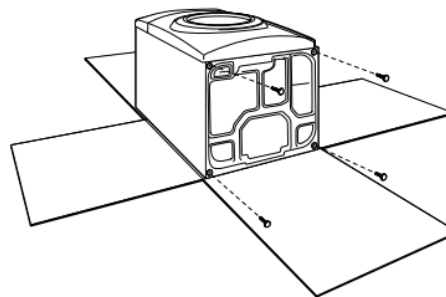
⚠ AVERTISSEMENT

Risque de poids excessif

Utiliser deux personnes ou plus pour déplacer et installer l'appareil.

Le non-respect de cette instruction peut causer une blessure au dos ou d'autres blessures.

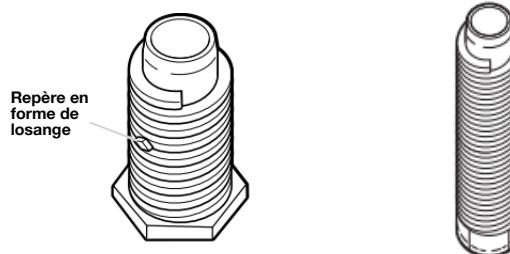
1. Préparation de la sécheuse pour les pieds de nivellement



Afin d'éviter d'endommager le plancher, utiliser un grand morceau de carton plat extrait de la boîte d'emballage de la sécheuse et le placer sous toute la partie arrière de la sécheuse. Saisir fermement le corps de la sécheuse (et non pas le panneau de la console), puis poser la sécheuse sur le carton avec précaution.

REMARQUE: De l'eau issue des tests en usine peut s'évacuer si la sécheuse est placée sur le côté.

2. Vissage des pieds de nivellement



Pied de nivellement avec repère en forme de losange.

Pied de nivellement sans repère en forme de losange

À l'aide d'une clé et d'un ruban à mesurer, visser les pieds de nivellement dans les trous pour pieds de nivellement jusqu'à ce que le bas de chaque pied se trouve à environ 1/2 po (13 mm) à 1 1/2 po (38 mm) du bas de la sécheuse.

Pour les pieds de nivellement avec repère en forme de losange :

Introduire manuellement les pieds dans les trous des pieds. Utiliser une clé à molette pour visser les pieds jusqu'à ce que le symbole de repérage en forme de losange ne soit plus visible.

Placer une cornière de carton prise à partir de l'emballage de la sécheuse sous chacun des deux coins arrière de la sécheuse. Redresser la sécheuse. Faire glisser la sécheuse sur les cornières jusqu'à ce qu'elle soit proche de son emplacement final. Laisser suffisamment d'espace pour connecter le conduit d'évacuation.

Installation électrique – É.-U.

⚠ AVERTISSEMENT



Risque d'incendie

Pour une utilisation avec cordon d'alimentation, utiliser un nouveau cordon d'alimentation de 30 A homologué UL.

Pour un raccordement direct, utiliser un fil de cuivre de calibre 10.

Utiliser un serre-câbles homologué UL.

Déconnecter la source de courant électrique avant de réaliser les connexions électriques.

Connecter le conducteur neutre (blanc ou conducteur central) à la borne centrale (argent).

Connecter le conducteur de liaison à la terre (vert ou nu) au connecteur vert de liaison à la terre.

Connecter les 2 conducteurs d'alimentation restants aux 2 bornes (or) restantes.

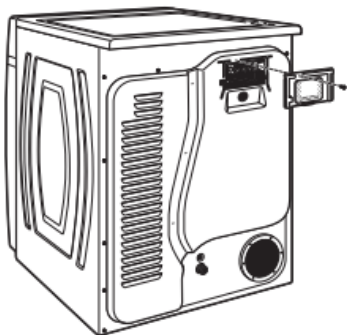
Bien serrer toutes les connexions électriques.

Le non-respect de ces instructions peut causer un décès, un incendie ou une décharge électrique.

1. Déconnecter la source de courant électrique

2. Retirer le couvercle du bornier

REMARQUE : Le couvercle du bornier peut se situer à un endroit différent.



Retirer la vis de retenue et le couvercle du bornier.

3. Choisir le type de raccordement électrique



Prise de courant à 4 conducteurs

(NEMA type 14-30R) : Consulter la section « Raccordement du câble d'alimentation à 4 fils ». Ensuite, aller à la section « Exigences concernant l'évacuation ».



Prise de courant à 3 conducteurs

(NEMA type 10-30R) : Consulter la section « Raccordement du câble d'alimentation à 3 fils ». Ensuite, aller à la section « Exigences concernant l'évacuation ».



Raccordement direct à 4 fils : Aller à la section « Fixer le serre-câbles pour raccordement direct », puis « Raccordement direct à 4 fils » et enfin, « Exigences concernant l'évacuation ».



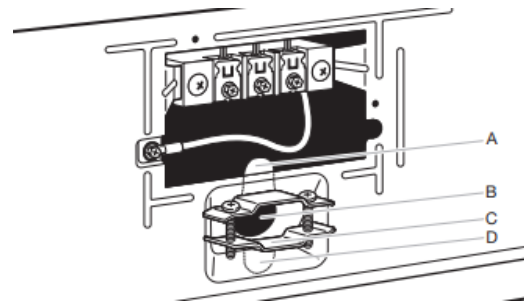
Raccordement direct à 3 fils : Aller à la section « Fixer le serre-câbles pour raccordement direct », puis « Raccordement direct à 3 fils » et enfin, « Exigences concernant l'évacuation ».

REMARQUE : Si les codes locaux n'autorisent pas le raccordement d'un conducteur de masse de la caisse au fil neutre, voir la section « Raccordement optionnel à 3 fils ». Ce raccordement peut servir pour un cordon d'alimentation ou une connexion directe des conducteurs.

Raccordement du cordon d'alimentation

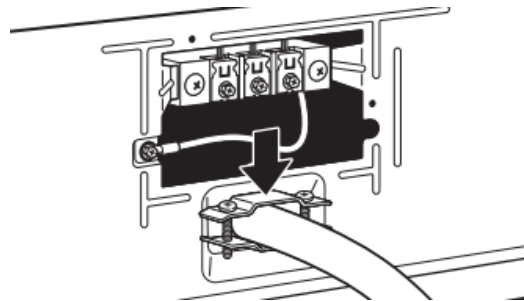
Serre-câbles du cordon d'alimentation

1. Fixer le serre-câbles du câble d'alimentation



Retirer les vis d'un serre-câbles homologué UL de 3/4 po (19 mm) UL (inscription UL sur le serre-câbles). Placer les languettes des deux moitiés de pince (C) dans le trou sous l'ouverture du bornier (B), de sorte qu'une d'entre elles pointe vers le haut (A) et l'autre vers le bas (D). Maintenir en place. Serrer les vis du serre-câbles juste assez pour maintenir ensemble les deux moitiés de pince (C).

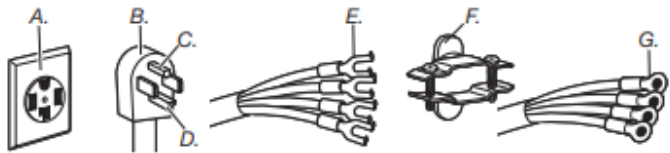
2. Fixer le serre-câbles du câble d'alimentation



Passer le cordon d'alimentation à travers le serre-câbles. Vérifier que la gaine d'isolement du cordon d'alimentation rentre à l'intérieur du serre-câbles. Le serre-câbles doit être bien relié à la caisse de la sècheuse et se trouver en position horizontale. Serrer la vis du serre-câbles autour du cordon d'alimentation. Ne pas serrer excessivement les vis du serre-câbles.

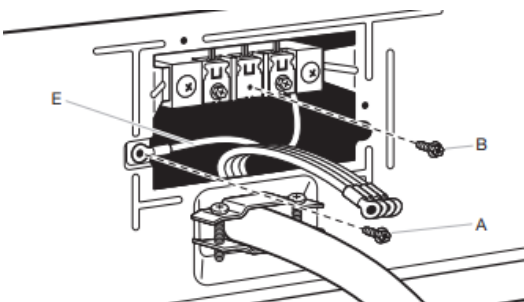
Raccordement du câble d'alimentation à 4 fils

IMPORTANT : Un raccordement à 4 fils est obligatoire pour les maisons mobiles et lorsque les codes locaux n'autorisent pas l'utilisation de raccordements à 3 fils.



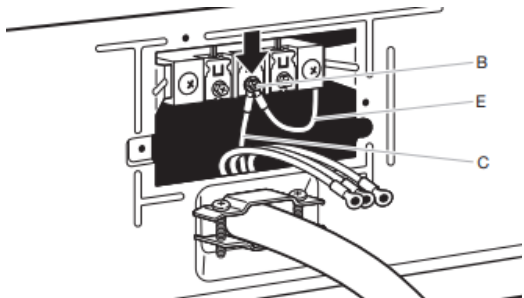
- A. Prise murale à 4 fils (type NEMA 14-30R)
 B. Prise à 4 broches
 C. Broche de liaison à la terre
 D. Broche pour neutre
 E. Cosses en fourche à pointes relevées
 F. Serre-câbles (homologation UL) de 3/4 po (19 mm)
 G. Cosses rondes

3. Préparer l'installation du fil de mise à la terre de l'appareil



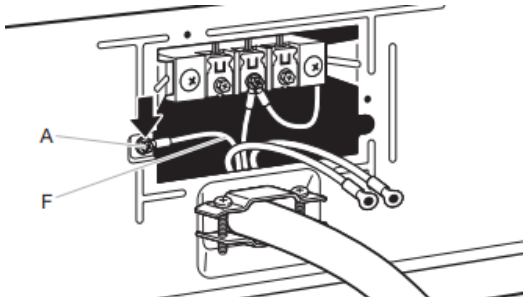
Retirer la vis de la borne centrale (B). Retirer le conducteur neutre (E) de la vis du conducteur de terre externe verte (A).

4. Connecter le conducteur neutre et le conducteur neutre



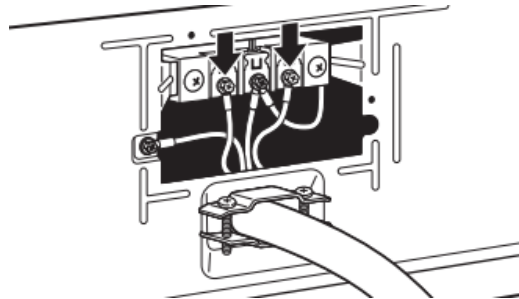
Connecter le conducteur neutre (E) et le conducteur neutre (blanc ou centre) (C) du câble d'alimentation sous la vis de la borne centrale (B). Serrer la vis.

5. Connecter le conducteur de liaison à la terre



Connecter le conducteur (vert ou nu) de liaison à la terre (F) du câble d'alimentation sous la vis du conducteur de liaison à la terre (A). Serrer la vis.

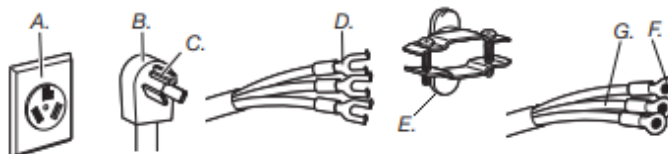
6. Connecter les conducteurs restants



Connecter les conducteurs restants sous les vis les plus à l'extérieur du bornier. Serrer les vis. Placer la languette du couvercle du bornier dans la fente du panneau arrière de la sécheuse. Fixer le couvercle avec la vie de retenue. Ensuite, aller à la section « Exigences concernant l'évacuation ».

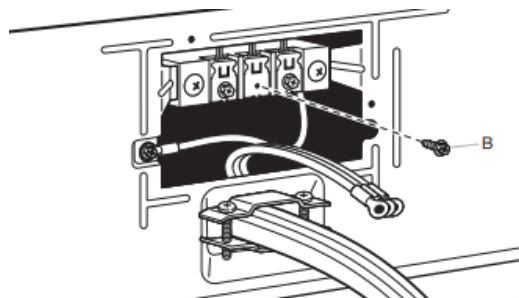
Raccordement du câble d'alimentation à 3 fils

IMPORTANT : À utiliser lorsque les codes locaux autorisent la connexion du conducteur de masse de la caisse au conducteur neutre.



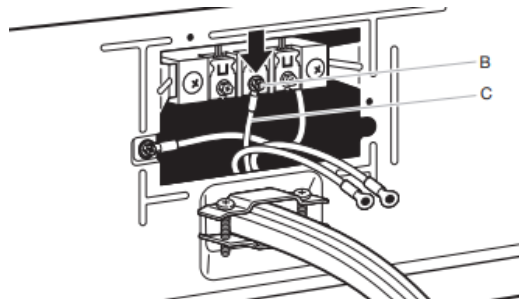
- A. Prise murale à 3 fils (type NEMA 10-30R)
 B. Fiche à 3 broches
 C. Broche pour neutre
 D. Cosses en fourche à pointes relevées
 E. Serre-câbles (homologation UL) de 3/4 po (19 mm)
 F. Cosses rondes
 G. Neutre (fil blanc ou central)

3. Retirer la vis centrale



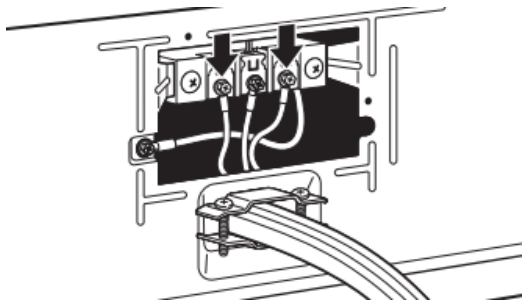
Retirer la vis de la borne centrale (B).

4. Connecter le conducteur neutre



Connecter le conducteur neutre (blanc ou central) (C) du câble d'alimentation sous la vis de la borne centrale (B). Serrer la vis.

5. Connecter les conducteurs restants

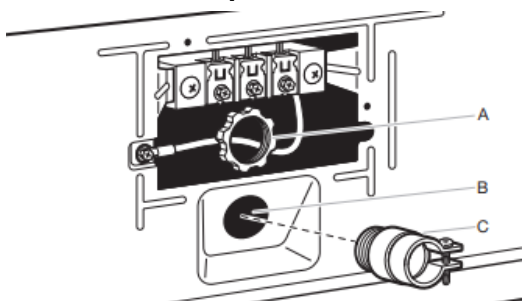


Connecter les conducteurs restants sous les vis les plus à l'extérieur du bornier. Serrer les vis. Placer la languette du couvercle du bornier dans la fente du panneau arrière de la sécheuse. Fixer le couvercle avec la vis de retenue. Ensuite, aller à la section « Exigences concernant l'évacuation ».

Méthode de raccordement direct

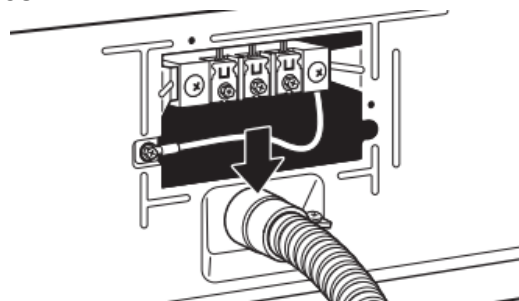
Serre-câbles pour raccordement direct

1. Fixer le serre-câbles pour raccordement direct



Dévisser le raccord de conduit amovible (A) et les vis d'un serre-câbles homologué UL (inscription UL sur le serre-câbles) de 3/4 po (19 mm). Visser la partie filetée du serre-câbles dans le trou sous l'ouverture du bornier (B). En passant par l'ouverture du bornier, visser le connecteur de conduit amovible (A) sur le filetage du serre-câbles (C) et bien serrer.

2. Fixer le câble à raccordement direct au serre-câbles



Passer le câble à raccordement direct à travers le serre-câbles. Le serre-câbles doit être bien relié à la caisse de la sécheuse et se trouver en position horizontale. Serrer la vis du serre-câbles autour du câble à raccordement direct.

Pour le raccordement direct à 4 conducteurs, continuer à l'étape 3.



Raccordement direct à 4 fils : Aller à la section « Raccordement direct à 4 fils ».

Pour le raccordement direct à 3 conducteurs, continuer à l'étape 3.

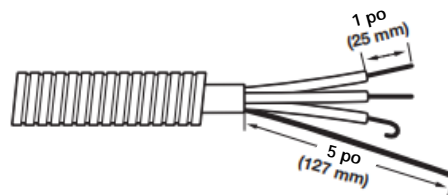


Raccordement direct à 3 fils : Aller à la section « Raccordement direct à 3 fils ».

Raccordement direct à 4 fils

IMPORTANT : Un raccordement à 4 fils est obligatoire pour les maisons mobiles et lorsque les codes locaux n'autorisent pas les raccordements à 3 fils.

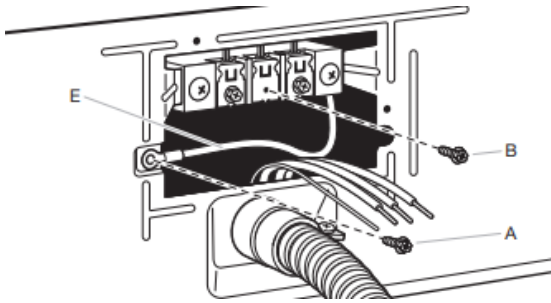
3. Préparer le câble à 4 fils pour un raccordement direct



Le câble à raccordement direct doit avoir une longueur supplémentaire de 5 pi (1,52 m) pour pouvoir déplacer la sécheuse si nécessaire.

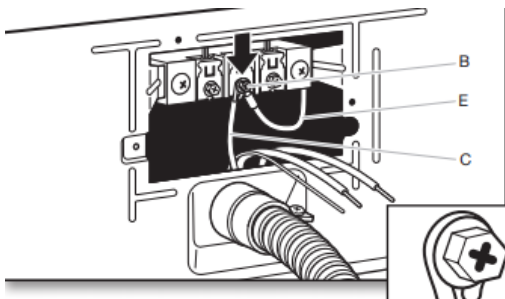
Dénuder une longueur de 5 po (127 mm) de gaine extérieure à l'extrémité du câble, en laissant le conducteur de mise à la terre nu à la longueur de 5 po (127 mm). Couper 1 1/2 po (38 mm) des 3 conducteurs restants. Dénuder les conducteurs sur une longueur de 1 po (25 mm). Former des crochets aux extrémités des conducteurs.

4. Préparer la connexion du conducteur neutre au conducteur neutre



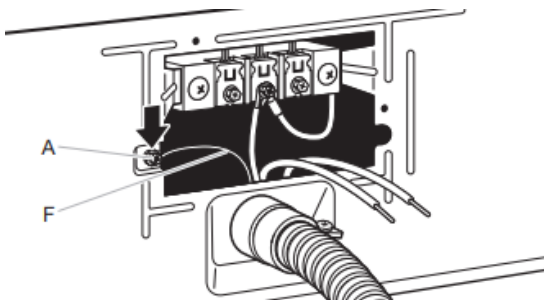
Retirer la vis de la borne centrale (B). Retirer le conducteur neutre (E) de la vis du conducteur externe verte (A).

5. Connecter le conducteur neutre et le conducteur neutre



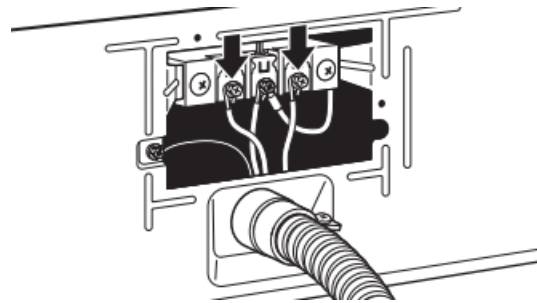
Connecter le conducteur neutre (E) et placer le crochet d'extrémité (crochet vers la droite) du conducteur neutre (blanc ou central) (C) du câble à raccordement direct sous la vis de la borne centrale (B). Rapprocher les extrémités du crochet et serrer la vis.

6. Connecter le conducteur de liaison à la terre



Connecter le conducteur (vert ou nu) de liaison à la terre (F) du câble pour raccordement direct sous la vis du conducteur de liaison à la terre externe (A). Serrer la vis.

7. Connecter les conducteurs restants

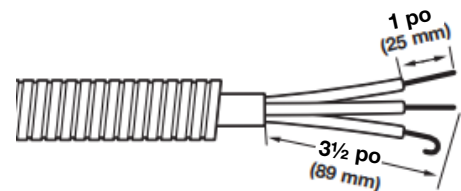


Placer les extrémités en crochet des conducteurs restants du câble pour raccordement direct sous les vis les plus à l'extérieur du bornier (crochets vers la droite). Rapprocher les extrémités du crochet et serrer la vis. Placer la languette du couvercle du bornier dans la fente du panneau arrière de la sécheuse. Fixer le couvercle avec la vis de retenue. Ensuite, aller à la section « Exigences concernant l'évacuation ».

Raccordement direct à 3 fils

IMPORTANT : À utiliser lorsque les codes locaux autorisent la connexion du conducteur de masse de la caisse au conducteur neutre.

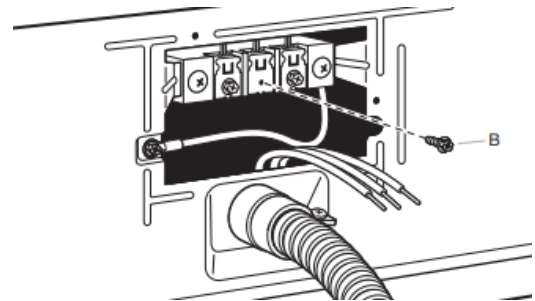
3. Préparer le câble à 3 fils pour un raccordement direct



Le câble à raccordement direct doit avoir une longueur supplémentaire de 5 pi (1,52 m) pour pouvoir déplacer la sécheuse si nécessaire.

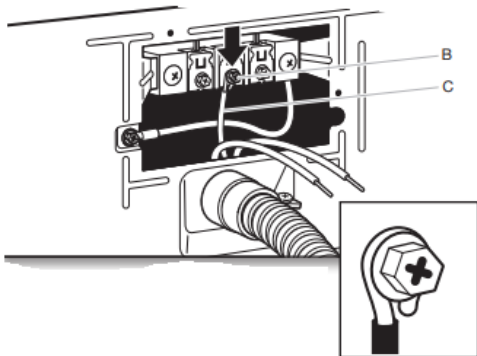
Dénuder une longueur de 3 1/2 po (89 mm) de gaine extérieure à l'extrémité du câble. Dénuder les conducteurs sur une longueur de 1 po (25 mm). En cas d'utilisation d'un câble à 3 fils avec conducteur de mise à la terre, couper le fil nu au même niveau que la gaine extérieure. Former des crochets au bout des conducteurs.

4. Retirer la vis centrale



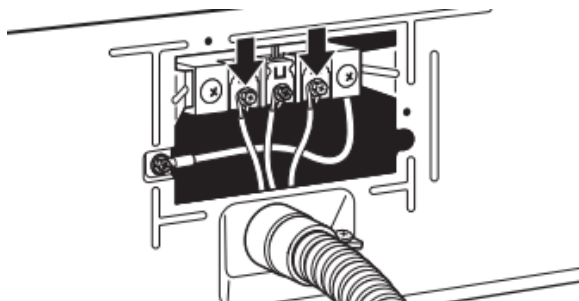
Retirer la vis de la borne centrale (B).

5. Connecter le conducteur neutre



Placer le crochet d'extrémité du conducteur neutre (blanc ou central) (C) du câble pour raccordement direct sous la vis de la borne centrale (B). Rapprocher les extrémités du crochet. Serrer la vis.

6. Connecter les conducteurs restants

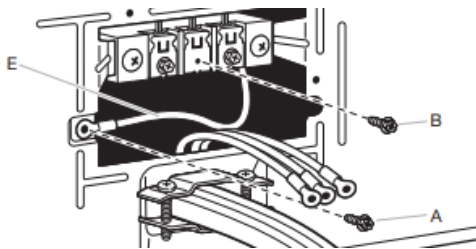


Placer les extrémités en crochet des conducteurs restants du câble pour raccordement direct sous les vis les plus à l'extérieur du bornier (crochets vers la droite). Rapprocher les extrémités du crochet et serrer les vis. Placer la languette du couvercle du bornier dans la fente du panneau arrière de la sécheuse. Fixer le couvercle avec la vie de retenue. Ensuite, aller à la section « Exigences concernant l'évacuation ».

Raccordement à 3 fils en option (cordon d'alimentation illustré)

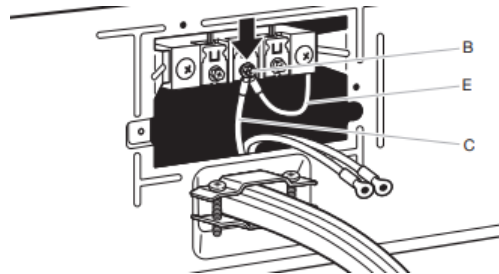
IMPORTANT : Il convient de vérifier auprès d'un électricien qualifié que cette méthode de mise à la terre est acceptable avant d'effectuer le raccordement.

1. Préparer la connexion du conducteur neutre au conducteur neutre



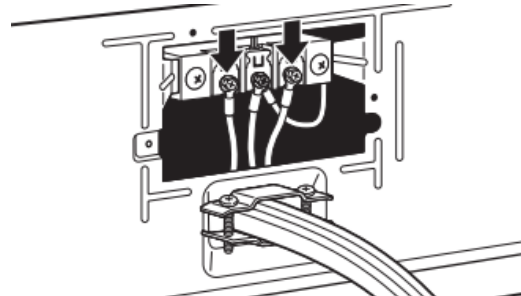
Installer le bon serre-câbles pour votre raccordement électrique. Retirer la vis de la borne centrale (B). Retirer le conducteur neutre (E) de la vis du conducteur de terre externe verte (A).

2. Connecter le conducteur neutre et le conducteur neutre



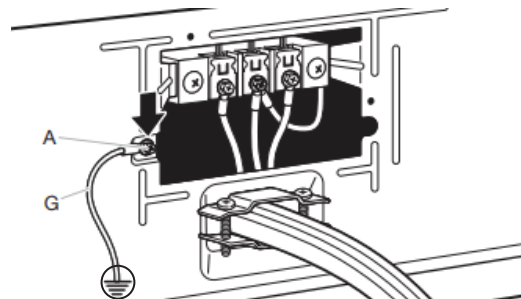
Connecter le conducteur neutre (E) et le conducteur neutre (blanc ou central) (C) du câble d'alimentation ou du câble sous la vis de la borne centrale (B). Serrer la vis.

3. Connecter les conducteurs restants



Placer les conducteurs restants sous les vis les plus à l'extérieur du bornier. Serrer les vis.

4. Connecter le conducteur de liaison à la terre externe



Raccorder un autre conducteur de terre en cuivre (G) depuis la vis verte du conducteur de terre externe (A) jusqu'à une terre adéquate. Placer la languette du couvercle du bornier dans la fente du panneau arrière de la sécheuse. Fixer le couvercle avec la vie de retenue. Ensuite, aller à la section « Exigences concernant l'évacuation ».

Exigences concernant l'évacuation pour une maison

⚠ AVERTISSEMENT



Risque d'incendie

Utiliser un conduit d'évacuation en métal lourd.

Ne pas utiliser de conduit d'évacuation en plastique.

Ne pas utiliser de conduit d'évacuation en aluminium.

Le non-respect de ces instructions peut causer un décès ou un incendie.

AVERTISSEMENT : Pour réduire le risque d'incendie, cette sècheuse doit ÉVACUER L'AIR À L'EXTÉRIEUR.

IMPORTANT : Observer les dispositions de tous les codes et règlements en vigueur. Le conduit d'évacuation de la sècheuse ne doit pas être raccordé à une évacuation de gaz, une cheminée, un mur, un plafond, un grenier, un vide sanitaire ou un vide de construction. Seul un conduit d'évacuation métallique rigide ou flexible doit être utilisé pour le système d'évacuation. Ne pas utiliser de conduit de plastique ou de métal très mince.



- Utiliser uniquement un conduit d'évacuation en métal lourd de 4 po (102 mm) et des brides de serrage.
- Ne pas utiliser de conduit de plastique ou de métal très mince.

Conduit métallique rigide :

- Recommandé pour une performance de séchage idéale afin d'éviter tout écrasement ou déformation.

Conduit métallique flexible (acceptable seulement dans la mesure où il est accessible en vue du nettoyage) :

- Doit être entièrement déployé et soutenu à l'emplacement d'installation final de la sècheuse.
- Enlever tout excès de conduit flexible pour éviter tout affaissement et déformation susceptible de réduire la capacité d'évacuation et le rendement.
- Ne pas installer le conduit métallique flexible dans des cavités fermées de murs, plafonds ou planchers.
- La longueur totale ne doit pas dépasser 7 3/4 pi (2,4 m).
- La longueur du conduit métallique d'évacuation souple utilisé doit être prise en compte lors de la conception de l'ensemble du système d'évacuation, comme indiqué dans le « Tableau des systèmes d'évacuation ».

Système d'évacuation domestique :

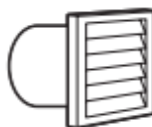
- Si l'on utilise un système d'évacuation domestique existant, nettoyer les charpies sur toute la longueur du système avant d'installer la sècheuse.
- S'assurer que les événements d'évacuation externes à l'extérieur de la maison ne sont pas obstrués par des charpies ou d'autres débris extérieurs.
- Remplacer tout conduit de plastique ou en aluminium par un conduit métallique rigide ou souple. Consulter à nouveau le « Tableau des systèmes d'évacuations » et modifier le système d'évacuation domestique existant au besoin pour obtenir un meilleur séchage.

Événements pour conduit d'évacuation :

- Terminer le conduit d'évacuation par un clapet de décharge pour empêcher les rongeurs et les insectes d'entrer dans la maison.
- Doit se trouver à au moins 12 po (305 mm) du plancher ou de tout objet susceptible d'obstruer l'ouverture d'évacuation (comme des fleurs, des pierres, des buissons ou de la neige).
- Ne pas utiliser un clapet d'évacuation à fermeture magnétique.

Styles recommandés :

Style acceptable :



Clapet à persiennes



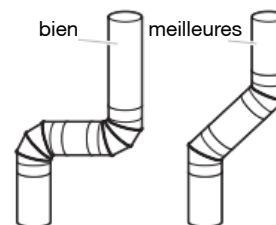
Clapet de type boîte



Hotte d'évacuation inclinée

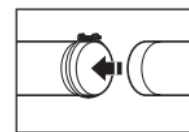
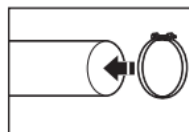
Coudes :

- Les coudes à 45° permettent une meilleure circulation de l'air que les coudes à 90°.



Brides de fixation :

- Utiliser des brides pour sceller tous les joints.
- Le conduit d'évacuation ne doit pas être raccordé ou fixé avec des vis ou tout autre dispositif de serrage qui se prolongerait à l'intérieur du conduit et retiendrait la charpie. Ne pas utiliser de ruban adhésif pour conduit.

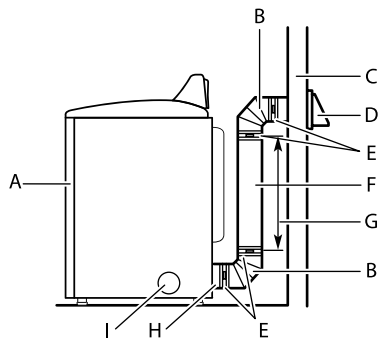


Le matériel d'évacuation peut être acheté auprès de votre revendeur. Pour obtenir les coordonnées et les informations de commande, consulter le guide de démarrage rapide.

Planification du circuit d'évacuation

Installations d'évacuation recommandées :

Les installations typiques consistent à acheminer le conduit d'évacuation à l'arrière de la sècheuse. D'autres installations sont possibles.



- | | |
|---|--|
| A. Sècheuse | F. Conduit d'évacuation métallique rigide ou flexible |
| B. Coude | G. Longueur de conduit d'évacuation nécessaire pour le raccordement des coudes |
| C. Mur | H. Bouche de décharge |
| D. Événements pour conduit d'évacuation | I. Bouche d'évacuation latérale facultative |
| E. Brides de fixation | |

Installations d'évacuation facultatives :

AVERTISSEMENT



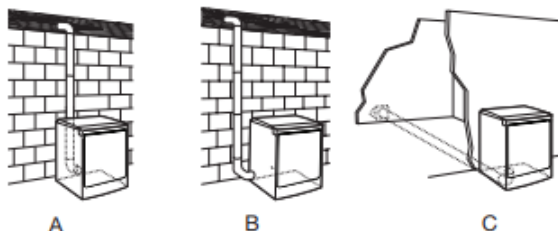
Risque d'incendie

Couvrir les trous d'évacuation inutilisés en utilisant la trousse d'obturation du fabricant.

Contactez votre marchand local.

Le non-respect de ces instructions peut causer un décès, un incendie, une décharge électrique ou une blessure grave.

Certains modèles peuvent être convertis pour évacuer par le côté droit, le côté gauche ou par le bas. L'on peut, de préférence, contacter le détaillant local pour convertir la sècheuse.

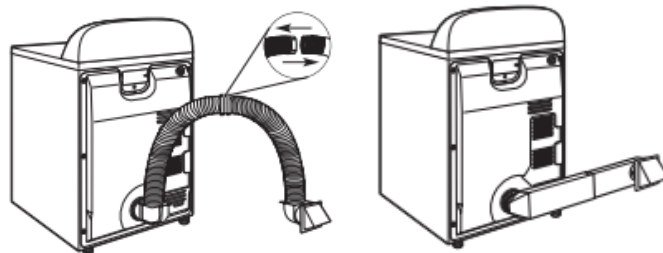


- Installation avec acheminement standard du conduit d'évacuation par l'arrière
- Installation avec évacuation par la gauche ou par la droite (offert seulement sur certains modèles de 27 po de largeur).
- Installation avec évacuation par le bas (offert seulement sur certains modèles de 27 po de largeur).

Autres installations avec dégagement réduit

Il existe de nombreux systèmes d'évacuation. Choisir le système qui convient le mieux à votre installation. Deux installations à dégagement réduit sont illustrées.

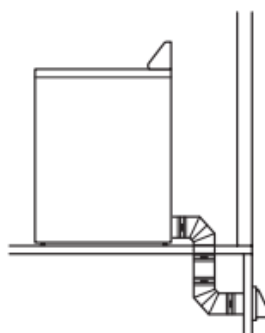
REMARQUE : On peut acheter les trousse suivantes pour les installations où le dégagement est réduit. Consulter le guide de démarrage rapide pour les coordonnées.



Installation au-dessus de la sècheuse Installation en périscope (également offerte avec un coude décalé)

Dispositions spéciales pour les installations dans une maison mobile :

Le système d'évacuation doit être solidement fixé à une section non combustible de la structure de la résidence mobile et ne doit pas se terminer en dessous de la résidence mobile. Acheminer le conduit d'évacuation vers l'extérieur.



Déterminer l'itinéraire d'acheminement du conduit :

- Choisir l'itinéraire d'acheminement vers l'extérieur qui sera le plus direct et le plus rectiligne.
- Planifier l'installation de façon à introduire un nombre minimal de coudes et de changements de direction.
- Si des coudes ou changements de direction sont utilisés, prévoir autant d'espace que possible.
- Plier le conduit graduellement pour éviter de le déformer.
- Utiliser le moins possible de changements de direction à 90°.

Déterminer la longueur du conduit et les coudes nécessaires pour la meilleure performance de séchage :

- Utiliser le « Tableau des systèmes d'évacuation » suivant pour déterminer le type de matériel d'évacuation et les combinaisons de clapets acceptables.

REMARQUE : Ne pas utiliser de conduits de longueur supérieure à la valeur spécifiée dans le « Tableau des systèmes d'évacuation ». Si la longueur du circuit est supérieure à la valeur spécifiée dans le tableau, on observera :

- Un cycle de vie réduit de la sècheuse.
- Une réduction du rendement, avec durées de séchage plus longues et une plus grande consommation d'énergie.

Le « Tableau des systèmes d'évacuation » indique les critères d'évacuation qui vous aideront à obtenir une performance de séchage idéale.

Tableau des systèmes d'évacuation		
Nombre de changements de direction à 90° ou coudés	Type de conduit d'évacuation	Clapets de type boîte, à persiennes ou inclinés
0	Métallique rigide	64 pi (20 m)
1	Métallique rigide	54 pi (16,5 m)
2	Métallique rigide	44 pi (13,4 m)
3	Métallique rigide	35 pi (10,7 m)
4	Métallique rigide	27 pi (8,2 m)

REMARQUE : Les installations d'évacuation du conduit par le côté ou par le bas comportent un changement de direction à 90° à l'intérieur de la sècheuse. Pour établir la longueur maximale du conduit, ajouter un changement de direction à 90° au tableau.

Tableau des systèmes d'évacuation (modèles WED/WGD4985 et WED/WGD4995 avec conduit d'évacuation de 29 po de largeur seulement).		
Nombre de changements de direction à 90° ou coudés	Type de conduit d'évacuation	Clapets de type boîte, à persiennes ou inclinés
0	Métallique rigide	160 pi (48,8 m)
1	Métallique rigide	150 pi (45,7 m)
2	Métallique rigide	140 pi (42,7 m)
3	Métallique rigide	130 pi (39,6 m)
4	Métallique rigide	120 pi (36,6 m)
5	Métallique rigide	110 pi (33,5 m)

REMARQUE : Pour des systèmes d'évacuation de grande longueur, utiliser des clapets d'évacuation à persiennes ou de type boîte – l'évacuation sera meilleure, quelle que soit la longueur du circuit.

Coudés supplémentaires

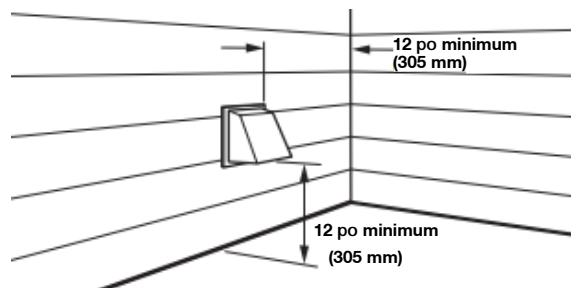
Dans les situations où les instructions d'installation n'indiquent pas de longueur d'évacuation pour un nombre précis de coudés requis pour une utilisation particulière, les calculs suivants peuvent être utilisés. (La longueur totale du système d'évacuation comprend toutes les portions droites et en coude du système d'évacuation) :

- Pour des coudés à 90°, réduire la longueur permise du système d'évacuation de 10 pi (3,05 m).
- Pour des coudés à 45°, réduire la longueur permise du système d'évacuation de 6 pi (1,83 m).

Par exemple, si les instructions d'installation indiquent que la longueur totale du système d'évacuation de la sècheuse peut être de 40 pi (12,2 m) avec deux coudés de 90°, la longueur totale permise du système de ventilation sera réduite de 20 pi (6,0 m) (de 40 pi [12,2 m] à 20 pi [6,0 m]).

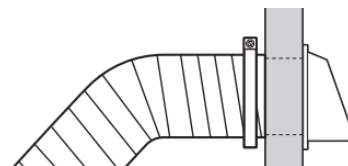
Installation du conduit d'évacuation

1. Installer le clapet d'évacuation



Installer le clapet d'évacuation et utiliser un composé de calfeutrage pour calfeutrer le côté extérieur de l'ouverture murale autour du clapet d'évacuation.

2. Raccorder le conduit d'évacuation au clapet



Le conduit doit être placé par-dessus le clapet d'évacuation. Fixer ensemble le conduit et le clapet avec une bride de 4 po (102 mm). Acheminer le conduit jusqu'à l'emplacement de la sècheuse en utilisant le chemin le plus rectiligne possible. Éviter les changements de direction à 90°. Utiliser des brides pour sceller tous les joints. Ne pas utiliser de ruban adhésif pour conduit, de vis ou autres dispositifs de fixation qui se prolongeraient à l'intérieur du conduit pour fixer le conduit d'évacuation; ceux-ci pourraient retenir la charpie.

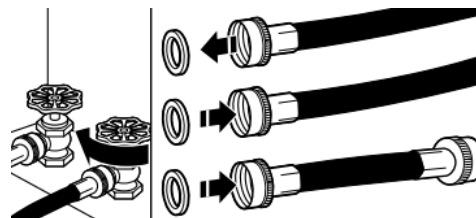
Raccordement des tuyaux d'alimentation

Pour les modèles sans vapeur avec conduit d'évacuation, passer directement à la section « Raccordement du conduit d'évacuation ». La sècheuse doit être connectée au robinet d'eau froide à l'aide des nouveaux tuyaux d'alimentation. Ne pas utiliser de tuyaux usagés.

REMARQUE : Remplacer les tuyaux d'arrivée d'eau après 5 ans d'utilisation pour réduire le risque de défaillance intempestive. Inscrivez la date d'installation ou de remplacement du tuyau sur celui-ci, pour référence ultérieure.

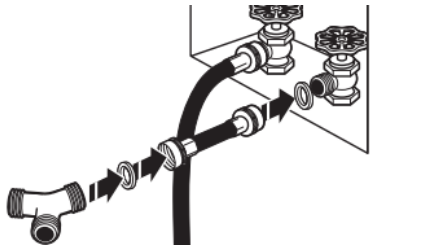
Inspecter périodiquement les tuyaux et les remplacer en cas de renflement, de déformation, de coupure, d'usure ou de fuite.

1. Fermer l'eau froide, retirer et remplacer la rondelle en caoutchouc



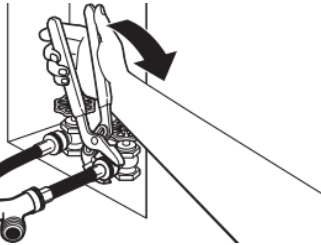
Fermer le robinet d'eau froide et ôter le tuyau d'alimentation de la laveuse. Retirer l'ancienne rondelle en caoutchouc du tuyau d'arrivée d'eau et la remplacer par la nouvelle rondelle en caoutchouc.

2. Fixer le tuyau court et le raccord en « Y »



Fixer le tuyau d'alimentation de 2 pi (0,6 m) au robinet d'eau froide. Visser le raccord à la main pour qu'il repose sur le robinet. Fixer le raccord en « Y » à l'extrémité mâle du tuyau d'alimentation de 2 pi (0,6 m). Visser le raccord à la main jusqu'à ce qu'il repose sur le raccord.

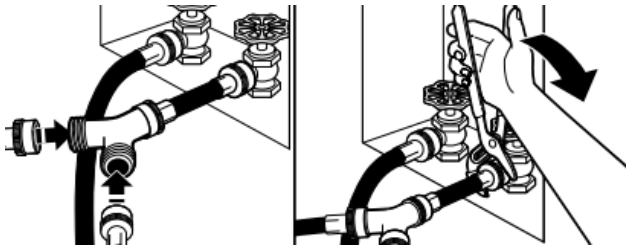
3. Serrer les raccords



Terminer le serrage des raccords de deux tiers de tour supplémentaire avec une pince.

REMARQUE : Ne pas serrer excessivement. Le raccord risque d'être endommagé.

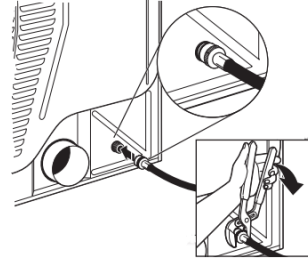
4. Fixer le long tuyau au raccord en « Y » et serrer les raccords



Fixer l'une des extrémités du tuyau d'alimentation de 5 pi (1,5 m) au connecteur en « Y ». Fixer le tuyau d'alimentation en eau froide de la laveuse à l'autre extrémité du raccord en « Y ». Visser le raccord à la main jusqu'à ce qu'il repose sur le raccord. Terminer le serrage des raccords de deux tiers de tour supplémentaire avec une pince.

REMARQUE : Ne pas serrer excessivement. Le raccord risque d'être endommagé.

5. Fixer le long tuyau à l'électrovanne de remplissage de la sécheuse et serrer les raccords

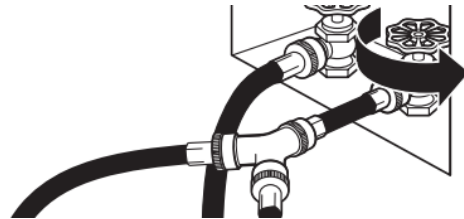


Au besoin, ôter le capuchon protecteur de l'orifice d'arrivée d'eau. Fixer l'autre extrémité du long tuyau à l'électrovanne au panneau arrière de la sécheuse. Visser le raccord à la main jusqu'à ce qu'il repose sur le connecteur de l'électrovanne. Terminer le serrage des raccords de deux tiers de tour supplémentaire avec une pince.

REMARQUE : Ne pas serrer excessivement. Le raccord risque d'être endommagé.

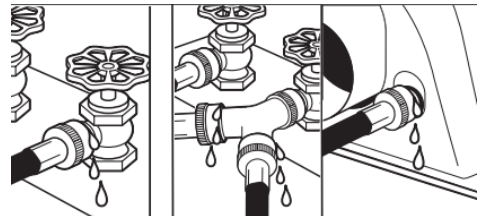
REMARQUE : Le raccordement de l'eau d'une sécheuse avec vapeur peut se situer à un endroit différent.

6. Ouvrir le robinet d'eau froide



Vérifier que le robinet d'eau est ouvert.

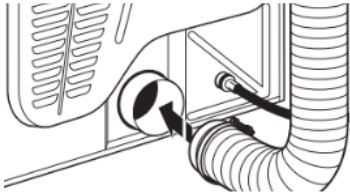
7. Recherche de fuites



Vérifier qu'il n'y a pas de fuites autour du raccord en « Y », des robinets et des tuyaux.

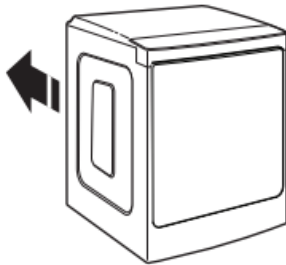
Raccordement du conduit d'évacuation (sur les modèles avec conduit seulement)

1. Raccorder le conduit d'évacuation à la bouche d'évacuation



À l'aide d'une bride de fixation de 4 po (102 mm), relier le conduit d'évacuation à la bouche d'évacuation de la sécheuse. Si l'on réalise le raccordement au conduit d'évacuation existant, s'assurer que celui-ci est propre. Le conduit d'évacuation doit être fixé par-dessus la bouche d'évacuation de la sécheuse et à l'intérieur du clapet d'évacuation. S'assurer que le conduit d'évacuation est fixé au clapet d'évacuation à l'aide d'une bride de fixation de 4 po (102 mm).

2. Placer la sécheuse à son emplacement final

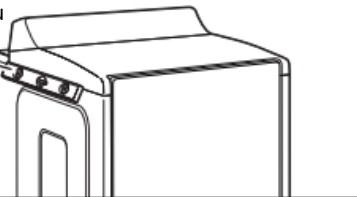


Placer la sécheuse à son emplacement final. Éviter d'écraser ou de déformer le conduit d'évacuation. Une fois la sécheuse en place, retirer les cornières et le carton sous la sécheuse.

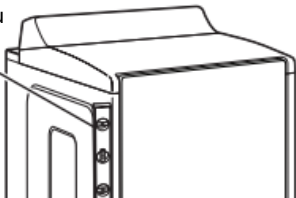
Réglage de l'aplomb de la sécheuse

1. Réglage de l'aplomb de la sécheuse

Placer le niveau à cet endroit



Placer le niveau à cet endroit



Vérifier l'aplomb de la sécheuse dans le sens transversal. Répéter l'opération dans le sens avant-arrière.

REMARQUE: La sécheuse doit être d'aplomb pour que le système de détection d'humidité fonctionne correctement.

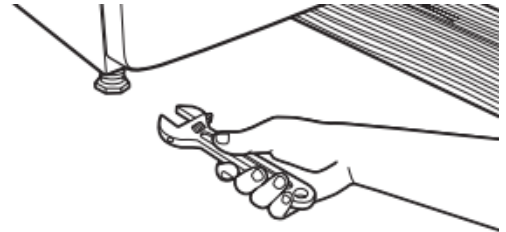


Pas d'aplomb

D'APLOMB

Pas d'aplomb

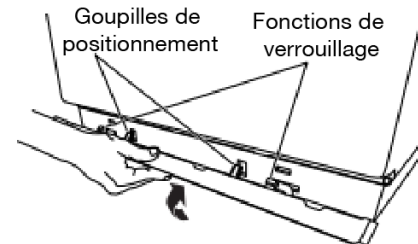
2. Ajustement des pieds de nivellement



Si la sécheuse n'est pas d'aplomb, la relever à l'aide d'un bloc de bois. Utiliser une clé pour ajuster les pieds vers le haut ou vers le bas, et vérifier à nouveau si elle est d'aplomb.

Une fois la sécheuse d'aplomb, s'assurer que les quatre pieds sont en contact ferme avec le plancher et que la sécheuse ne tangué pas.

3. Installation et retrait de la tringle de base (sur certains modèles)



Installation : Placer la jupe au bas de la sécheuse et faire correspondre les goupilles de positionnement avec les trous. Appuyer sur la jupe fermement vers le haut jusqu'à ce qu'elle s'enclenche.

Retrait : Dans chaque coin, pousser vers le bas le dessus de la tringle de base. La faire pivoter de la sécheuse, puis la retirer.

Liste de vérification pour installation terminée

- Vérifier que toutes les pièces sont maintenant installées. S'il reste une pièce, passer en revue les différentes étapes pour découvrir laquelle aurait été oubliée.
- Vérifier la présence de tous les outils.
- Éliminer/recycler tous les matériaux d'emballage.
- Vérifier que les robinets d'eau sont ouverts.
- Vérifier qu'il n'y a pas de fuites autour du raccord en « Y », du robinet et des tuyaux.
- Vérifier l'emplacement définitif de la sècheuse. S'assurer que le conduit d'évacuation n'est pas écrasé ou déformé.
- Vérifier que la sècheuse est d'aplomb. Voir la section « Réglage de l'aplomb de la sècheuse ».
- Ôter la pellicule protectrice de la console et tout ruban adhésif resté sur la sècheuse.
- Essuyer soigneusement l'intérieur du tambour de la sècheuse avec un chiffon humide pour éliminer toute trace de poussière.
- Pour une installation avec cordon d'alimentation électrique, brancher dans une prise reliée à la terre. Pour une installation à raccordement direct, mettre l'appareil sous tension.
- Si l'on réside dans une région où l'eau est dure, l'emploi d'un adoucisseur d'eau est recommandé pour contrôler l'accumulation de tartre dans le circuit d'eau de la sècheuse. Avec le temps, l'accumulation de tartre peut obstruer différentes parties du circuit d'eau, ce qui réduira la performance du produit. Une accumulation excessive de tartre peut entraîner la nécessité de remplacer ou de réparer certains composants.

- Pour inverser le sens d'ouverture de la porte de la sècheuse, consulter la section « Instructions pour inversion de porte de sècheuse » en ligne.
- Utiliser un programme avec chaleur de 20 minutes, puis mettre en marche la sècheuse. Ne pas sélectionner le réglage de température Air Only (air seulement).

Si la sècheuse ne démarre pas, vérifier ce qui suit :

- Les commandes sont réglées à la position de marche ou « ON » (marche).
- On a appuyé fermement sur le bouton Start (mise en marche).
- La sècheuse est branchée dans une prise ou l'alimentation électrique.
- Le fusible domestique est intact et bien visé ou le disjoncteur n'est pas ouvert.
- La porte de la sècheuse est fermée.
- Après 5 minutes de fonctionnement, ouvrir la porte de la sècheuse et voir s'il y a de la chaleur. Si de la chaleur est détectée, annuler le programme et fermer la porte.

Si la sècheuse n'est pas chaude à l'intérieur, éteindre la sècheuse et vérifier ce qui suit :

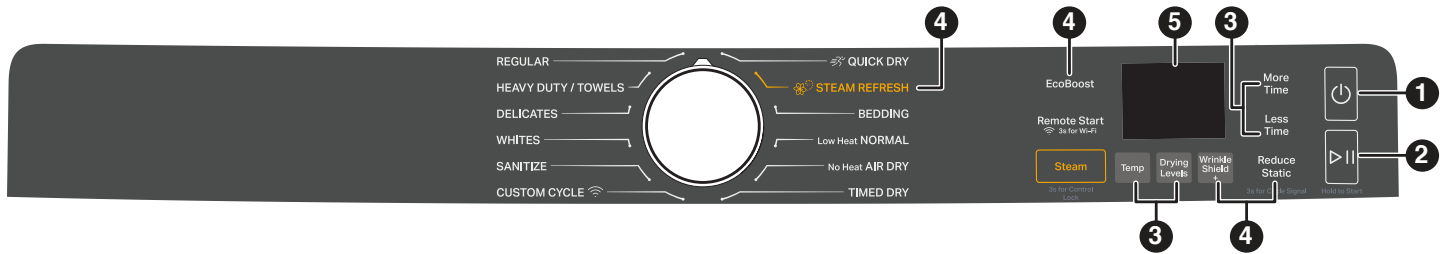
- Il peut y avoir 2 fusibles ou disjoncteurs domestiques pour la sècheuse. Vérifier que les deux fusibles sont intacts et bien en place ou que les deux disjoncteurs ne se sont pas déclenchés. S'il n'y a toujours pas de chaleur, contacter un technicien qualifié.

REMARQUE : Il est possible que la sècheuse dégage une certaine odeur lorsqu'elle chauffe pour la première fois. Cette odeur est normale lorsque l'élément chauffant est utilisé pour la première fois. L'odeur disparaîtra.

Si l'écran de circulation d'air affiche « Check Vent » (vérifier le conduit d'évacuation), il est possible que le conduit d'évacuation de la sècheuse soit écrasé ou bloqué.

GUIDE DE DÉMARRAGE RAPIDE

TABLEAU DE COMMANDE ET CARACTÉRISTIQUES



Les fonctions, programmes et options ne sont pas tous offerts sur tous les modèles. L'apparence peut varier.

REMARQUE : La surface du tableau de commande est très sensible et il suffit d'un léger toucher pour l'activer. Pour s'assurer que les commandes sélectionnées ont été sauvegardées, toucher le tableau de commande du bout du doigt et non avec l'ongle. Pour sélectionner un réglage ou une option, il suffit de toucher le nom qui lui correspond.

Description des boutons

1. POWER/CANCEL (PUISSANCE/ANNULATION)

Toucher ce bouton pour mettre la sècheuse en marche et pour l'éteindre. Toucher ce bouton pour arrêter/annuler un programme à tout moment.

2. START/PAUSE (MISE EN MARCHÉ/PAUSE)

Appuyer sur ce bouton jusqu'à ce que la DEL décompte « 3-2-1 » et que la sècheuse démarre; puis le relâcher pour démarrer un programme, ou appuyer sur ce bouton pendant qu'un programme est en cours pour le mettre en pause.

3. MODIFICATEURS

Utiliser ces boutons pour sélectionner les modificateurs offerts sur la sècheuse. Les programmes et options ne sont pas tous offerts sur tous les modèles. Consulter le « Guide des programmes » en ligne pour plus de détails.

Temp (Température)

Lorsque l'on utilise Timed Dry/Quick Cycle (Programme de séchage minuté/rapide) uniquement, il est possible de sélectionner une température de séchage en fonction du type de la charge de linge à sécher. Utiliser le réglage le plus chaud possible acceptable pour les vêtements contenus dans la charge. Suivre les instructions figurant sur l'étiquette des vêtements.

REMARQUE : Les programmes automatiques donnent le choix entre jusqu'à 4 températures de réglage, en fonction des sélections effectuées.

Niveaux de séchage

Le niveau de séchage peut être ajusté si désiré pour les programmes automatiques (sauf pour le programme Sanitize [Assainissement]).

REMARQUE : Le réglage du niveau de séchage ne peut être utilisé qu'avec les programmes automatiques.

More Time (Plus de temps)/Less Time (Moins de temps)

Toucher More Time (Plus de temps) ou Less Time (Moins de temps) lors des programmes Timed Dry/Quick cycle (Séchage minuté/rapide) pour augmenter ou réduire la durée du programme.

4. OPTIONS

Utiliser ces boutons pour sélectionner les options disponibles sur la sècheuse. Les programmes et options ne sont pas tous offerts sur tous les modèles.

Option Wrinkle Shield™ (Antifroissement)

Si l'on n'est pas en mesure de retirer la charge immédiatement, appuyer sur Wrinkle Shield™ (Antifroissement) pour ajouter jusqu'à 150 minutes de culbutage périodique afin d'aider à réduire le froissement. On peut sélectionner le réglage « + Steam » (Avec vapeur seulement) (sur certains modèles) pour ajouter un programme court avec vapeur après 60 minutes afin d'aider à défroisser les vêtements.

REMARQUE : Si la porte de la sècheuse est ouverte avant la fin de l'option Wrinkle Shield™ (Antifroissement), la sècheuse se mettra en pause.

Steam Refresh (Rafraîchissement avec vapeur) (modèles à vapeur uniquement)

Ce programme est idéal pour réduire les faux plis et désodoriser les vêtements secs. La durée du programme augmentera en fonction du nombre de vêtements sélectionnés. Il s'agit d'un programme indépendant qui ne peut être combiné à aucun autre programme.

Cycle signal (Signal de programme)

Utiliser cette option pour régler le signal sonore de fin d'un programme de séchage sur low (faible), medium (moyen), high (élevé) ou off (désactivé). Le volume sélectionné ici s'applique aussi au signal de séchage humide.

REMARQUE : Il est également possible de désactiver les signaux sonores qui retentissent lorsqu'on appuie sur un bouton de caractéristique, de réglage ou d'option. Toucher et maintenir enfoncé le bouton Cycle Signal (Signal de programme) pendant environ 3 secondes pour régler le volume sur low (faible), medium (moyen), high (élevé) ou off (désactivé).

Damp Dry Signal (Signal de séchage humide)

Appuyer sur ce bouton pour activer ou désactiver le signal de séchage humide. Lorsque cette option est sélectionnée, plusieurs signaux sonores retentissent lorsque la charge est humide, mais pas complètement sèche. Ceci vous permettra de retirer les vêtements dans la charge qui n'ont pas besoin d'être séchés complètement. Le signal de séchage humide est sélectionné par défaut pour le programme Bedding (Lingerie) pour rappeler à l'utilisateur de réagencer les articles volumineux à la main à mi-chemin du programme. Cette option n'est pas accessible avec certains programmes. Consulter le « Guide des programmes » en ligne pour plus de détails.

Reduce Static (Réduction de l'électricité statique) (sur certains modèles)

Toucher ce bouton pour ajouter cette option aux programmes automatiques sélectionnés. La sècheuse effectue automatiquement un culbutage, fait une pause puis introduit une petite quantité d'humidité dans la charge pour aider à réduire le niveau d'électricité statique. Cette option prolonge la durée totale du programme d'environ 3 minutes.

Control Lock (Verrouillage des commandes)

Utiliser cette option pour verrouiller les commandes de la sècheuse et éviter une modification involontaire d'options ou de préférences au cours d'un programme de séchage. Pour verrouiller ou déverrouiller les commandes, maintenir Control Lock (Verrouillage des commandes) ou Damp Dry Signal (Signal de séchage humide) (selon le modèle) enfoncé pendant 3 secondes. Pendant cette période, l'affichage à DEL indiquera un compte à rebours « 3-2-1 ». Une fois les commandes verrouillées, l'affichage à DEL indiquera « Loc ».

REMARQUE : Il est possible que la fonction de verrouillage des commandes soit activée après une panne de courant. Pour déverrouiller les commandes, appuyer sur Control Lock (Verrouillage des commandes) ou Damp Dry Signal (Signal de séchage humide) (selon le modèle) pendant 3 secondes.

Option EcoBoost™ (Puissance éco)

L'option EcoBoost™ (Puissance éco) s'active par défaut avec le programme Low Heat Normal (Normal à faible chaleur) et ne peut être activée qu'avec ce programme. Cette option permet d'accroître vos économies d'énergie en utilisant un niveau de chaleur légèrement plus faible. L'option EcoBoost™ (Puissance éco) augmente le temps de séchage d'environ 40 minutes, ce qui paraîtra sur l'afficheur à DEL. Pour obtenir un temps de séchage optimal, toucher EcoBoost (Puissance éco) pour désactiver l'option.

5. AFFICHEUR À DEL

Lorsqu'on sélectionne un programme, ses réglages par défaut s'allument et la durée restante estimée (pour les programmes automatiques) variera en fonction de la sélection du programme, ou la durée restante réelle pour les programmes de séchage minuté (pour les programmes manuels) s'affichera.

CYCLE STATUS (ÉTAT DU PROGRAMME)

Les témoins lumineux de programme indiquent la progression d'un programme. Les témoins ne sont pas tous présents sur tous les modèles.

Détection

Le témoin Sensing (Détection) s'allume périodiquement lors du fonctionnement des programmes Sensing (Détection) pour indiquer que le capteur d'humidité de la sècheuse est en cours de fonctionnement. Ce témoin ne s'allume pas durant les programmes minutés ou les options telles que Wrinkle Shield™ (Antifroissement).

WiFi Connect (Connexion WiFi)

Appuyer sur Wifi Connect pendant 3 secondes lors de la connexion initiale de la sècheuse au réseau Wi-Fi domestique. Si la sècheuse est en mode Smart Delay (Mise en marche différée), appuyer sur Wifi Connect pour annuler le délai et commencer un programme de séchage immédiatement.

Activation à distance

Toucher le bouton Remote Enable (Activation à distance) pour utiliser l'application, peu importe le moment. Appuyer sur ce bouton verrouille l'écran ACL, puis affiche un message indiquant que la sècheuse attend une commande de l'application. Pour quitter ce mode, appuyer de nouveau sur le bouton Remote Enable (Activation à distance).

Wet (Mouillé)

La charge est encore mouillée et/ou le programme vient de commencer.

Damp (Humide)

Ce témoin indique que la charge est partiellement sèche et que les articles que l'on souhaite suspendre ou repasser pendant qu'ils sont encore humides peuvent être retirés.

Cool Down (Refroidissement)

La sècheuse a terminé le séchage avec chaleur et fait maintenant culbuter la charge sans chaleur pour la refroidir et pour réduire le froissement.

Check Vent (Vérifier le conduit d'évacuation)

Le témoin Check Vent (Vérifier le conduit d'évacuation) n'est disponible qu'avec les programmes automatiques. Ce témoin indique la qualité de la circulation de l'air dans la sècheuse et le système d'évacuation de la sècheuse durant le cycle de vie de la sècheuse. Durant la phase de détection au début du programme, le témoin Check Vent (Vérifier le conduit d'évacuation) s'allume si un événement est obstrué ou si un faible débit de ventilation est détecté. Ce témoin reste allumé pendant toute la durée du programme. Si le témoin de vérification du conduit d'évacuation s'illumine, consulter la section « Dépannage » en ligne pour obtenir des solutions possibles et résoudre le problème. Le témoin s'éteint à la fin du programme, si on appuie sur le bouton Power (Mise sous tension) ou si la porte est ouverte. Le témoin Check Vent (Vérifier le conduit d'évacuation) reste allumé pendant le programme si le problème n'est pas réglé.

REMARQUE : La sècheuse continue à fonctionner même si le témoin est allumé, mais une mauvaise circulation de l'air peut avoir une incidence sur le temps de séchage et le rendement. Voir la section « Vérification d'une circulation d'air adéquate pour le système d'évacuation » du Manuel de l'utilisateur.

REMARQUE : Si d'autres erreurs surviennent au cours d'un programme, le témoin Check Vent (Vérifier le conduit d'évacuation) ne s'allume pas. Consulter la section « Dépannage » en ligne.

END (FIN)

Cela indique que le programme sélectionné est terminé et que l'on peut retirer la charge de la sècheuse. Si l'option Wrinkle Shield™ (Antifroissement) a été sélectionnée, il est possible que la sècheuse poursuive le culbutage de la charge, même si « End » (Fin) est affiché.

Control Lock (Verrouillage des commandes)



Ce témoin s'allume lorsque les commandes sont verrouillées.

INSTRUCTIONS D'UTILISATION

⚠ AVERTISSEMENT



Risque d'incendie

Aucune laveuse n'a la capacité d'enlever l'huile complètement.

Ne pas faire sécher des articles qui ont été salis par une huile quelconque (y compris les huiles de cuisson).

Les articles contenant de la mousse, du caoutchouc ou du plastique doivent être séchés sur une corde à linge ou avec le programme de séchage à l'air.

Le non-respect de ces instructions peut causer un décès ou un incendie.

⚠ AVERTISSEMENT



Risque d'explosion

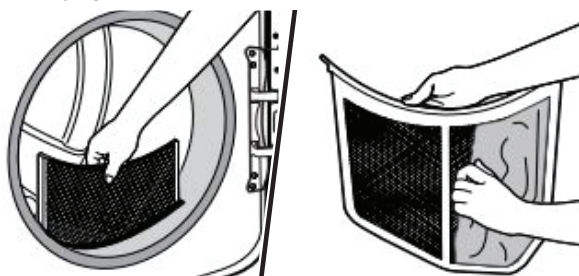
Garder les matières et les vapeurs inflammables, telle que l'essence, à l'écart de la sècheuse.

Ne pas faire sécher un article qui a déjà été touché par un produit inflammable (même après un lavage).

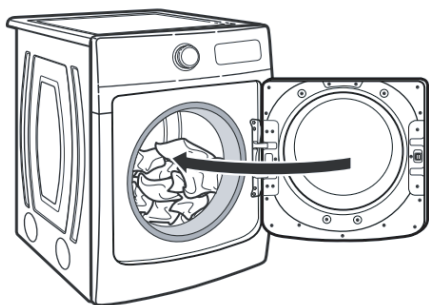
Le non-respect de ces instructions peut causer un décès, une explosion ou un incendie.

AVERTISSEMENT : Pour réduire le risque d'incendie, de décharge électrique ou de blessures, lire les INSTRUCTIONS IMPORTANTES DE SÉCURITÉ du guide d'utilisation de votre appareil avant de faire fonctionner cet appareil.

1. Nettoyage du filtre à charpie



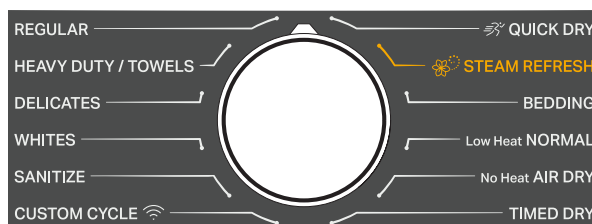
2. Charger les vêtements, puis fermer la porte



3. Mise sous tension/annulation



4. Sélectionner le programme et les réglages



5. Appuyer sur Start/Pause (Mise en marche/Pause).



Information de commande en ligne

Pour obtenir des instructions détaillées pour l'installation l'entretien, l'hivernisation, ainsi que des conseils de transport, consulter le manuel de l'utilisateur inclus avec votre machine.

Pour obtenir des informations sur l'un des points suivants : guide complet des programmes, garantie, dimensions détaillées du produit ou instructions complètes d'utilisation et d'installation, visiter le www.whirlpool.com/owners ou au Canada le www.whirlpool.ca/proprietaire. Cette vérification peut aider à économiser le coût d'une intervention de dépannage.



REGISTER PRODUCT



ADD SERVICE PLAN



MANUALS & DOWNLOADS



SCHEDULE SERVICE



TROUBLESHOOTING & FAQ



FILTERS



REPLACEMENT PARTS



REBATES & PROMOS

Cependant, si vous devez nous contacter, utiliser les coordonnées suivantes selon la bonne région.

États-Unis :
1-866-698-2538.

Whirlpool Brand Home Appliances
Customer eXperience Center
553 Benson Road
Benton Harbor, MI 49022-2692

Canada :
1-800-807-6777.

Whirlpool Brand Home Appliances
Centre d'eXpérience pour la clientèle
200 – 6750 Century Ave.
Mississauga (Ontario) L5N 0B7

IMPORTANT : Conserver ce guide à titre de référence.

GUIDE DES PROGRAMMES

Cette sècheuse possède une interface utilisateur unique pour aider l'utilisateur à sélectionner le programme le mieux adapté à la charge. La disposition des commandes vous guide vers le programme optimal en deux étapes faciles : Déterminer d'abord les articles dans la charge qui doit être séchée. Utiliser ces éléments pour guider votre sélection. Déterminer ensuite le mode de séchage souhaité de ces articles en sélectionnant la méthode appropriée. Les modificateurs sont préréglés pour les articles à sécher, mais peuvent être modifiés au besoin.

Utiliser les programmes automatiques pour réaliser un maximum d'économies d'énergie et pour que la sècheuse apporte un soin supérieur aux tissus. Ces programmes mesurent la température de l'air de séchage et les niveaux d'humidité afin d'éteindre la sècheuse une fois que la charge a atteint le niveau de séchage désiré. La performance et les résultats de la sècheuse peuvent varier si la tension nominale est inférieure à 240 V.

Articles à sécher	Programme	Niveau de séchage	Température	Options disponibles	Détails du programme
Chemises, chemisiers, tissus à pressage permanent, articles synthétiques et articles légers.	Regular (Ordinaire)	Less (Moins) Normal (Normal) More (Plus)	Low (Basse) Medium (Moyenne) High (Élevée)	Wrinkle Shield (Antifroissement) Steam (Vapeur) Reduce Static (Réduction de l'électricité statique) Ecoboost (Puissance Éco)	Utilise un niveau de chaleur modérée pour le séchage de grandes charges composées de tissus et d'articles mixtes. Le réglage Normal est le programme le plus éconergique.
Sous-vêtements, chemisiers, lingerie, vêtements d'athlétisme	Delicates (Articles délicats)	Less (Moins) Normal (Normal) More (Plus)	Low (Basse) Medium (Moyenne) High (Élevée)	Wrinkle Shield (Antifroissement) Reduce Static (Réduction de l'électricité statique)	Utilise un niveau de chaleur faible pour sécher en douceur les articles délicats.
Articles lourds tels que serviettes ou les vêtements de travail lourds.	Heavy Duty/ Towels (Service intense et serviettes)	Less (Moins) Normal (Normal) More (Plus)	Low (Basse) Medium (Moyenne) High (Élevée)	Wrinkle Shield (Antifroissement) Steam (Vapeur) Reduce Static (Réduction de l'électricité statique)	Utilise un niveau de chaleur élevée pour sécher de grandes charges d'articles lourds et robustes.
Tissus blancs, robustes	Whites (Blancs)	Less (Moins) Normal (Normal) More (Plus)	Low (Basse) Medium (Moyenne) High (Élevée)	Wrinkle Shield (Antifroissement) Steam (Vapeur) Reduce Static (Réduction de l'électricité statique)	Utiliser une chaleur élevée pour sécher une charge importante de vêtements ou d'articles blancs et robustes.
Draps, taies d'oreiller, couvertures	Bedding (Literie)	Less (Moins) Normal (Normal) More (Plus)	Low (Basse) Medium (Moyenne) High (Élevée)	Wrinkle Shield (Antifroissement) Steam (Vapeur) Reduce Static (Réduction de l'électricité statique)	Séchage à chaleur moyenne.

Articles à sécher	Programme	Niveau de séchage	Température	Options disponibles	Détails du programme
Programme personnalisé	Custom Cycle (Programme personnalisé)	N. D.	N. D.	N. D.	Créer des programmes personnalisés en quelques étapes seulement pour les programmes couramment utilisés.
Petits articles et articles de sport	Quick Dry (Séchage rapide)	N. D.	Low (Basse) Medium (Moyenne) High (Élevée)	Wrinkle Shield (Antifroissement)	Pour les petites charges de 3 à 4 articles.
Chemises, chemisiers et pantalons tout-aller	Rafraîchissement vapeur	N. D.	High (Élevée)	Wrinkle Shield (Antifroissement)	À utiliser pour réduire les légers faux plis des charges laissées dans la sècheuse pendant trop longtemps. NE PAS ajouter d'assouplissant textile en feuilles pour sècheuse.
Charges importantes composées d'articles lourds	Sanitize (Assainissement)	More (Plus)	High (Élevée)	Wrinkle Shield (Antifroissement)	Il s'agit d'un programme de longue durée avec niveau de chaleur élevé dont l'efficacité de réduction des bactéries domestiques est prouvée. Ce programme n'est pas recommandé pour tous les tissus. À utiliser pour les grosses charges de tissus lourds.
Draps, chemisiers, robes, sous-vêtements tissus à pressage permanent et certains tricotés	Low Heat Normal (Normal à faible chaleur)	Less (Moins) Normal (Normal) More (Plus)	Low (Basse) Medium (Moyenne) High (Élevée)	Wrinkle Shield (Antifroissement)	Utilise un niveau de chaleur inférieur pour sécher les tissus sensibles à la chaleur.
Mousse, caoutchouc, plastique et autres tissus sensibles à la chaleur	No Heat Air Dry (Séchage à l'air sans chaleur)	N. D.	N. D.	Wrinkle Shield (antifroissement)	Utilise de l'air sans chaleur pour sécher des articles sensibles à la chaleur.
N'importe quelle charge Remarque : Sélectionner Air (Air) pour sécher la mousse, le caoutchouc, le plastique ou les tissus sensibles à la chaleur	Timed Dry (Séchage minuté)	N. D.	Low (Basse) Medium (Moyenne) High (Élevée)	Wrinkle Shield (Antifroissement)	À utiliser pour sécher les articles jusqu'à un niveau humide pour les articles qui ne nécessitent pas un programme de séchage complet. Choisir la température de séchage en fonction du type de tissus de votre charge. Si on hésite sur la température à sélectionner pour une charge donnée, choisir un réglage inférieur plutôt qu'un réglage supérieur.

REMARQUE : La certification énergétique gouvernementale de cette sècheuse est basée sur le programme Low Heat Normal (Normal à faible chaleur), EcoBoost Defaulted ON (Puissance éco ACTIVÉ par défaut), température la plus élevée et niveau de séchage Normal. Les réglages par défaut de l'appareil, à savoir Low Heat Normal (Normal à faible chaleur), EcoBoost Defaulted ON (Puissance éco ACTIVÉ par défaut), température moyenne et Wrinkle Shield Off (Antifroissement désactivé) ont été utilisés. Les programmes disponibles pour le téléchargement après-vente peuvent consommer plus d'énergie que le programme Normal basse chaleur, sur lequel la cote de consommation d'énergie de cette sècheuse est basée.

DÉPANNAGE

Si les problèmes suivants surviennent	Causes possibles	Solution
Fonctionnement de la sècheuse		
La sècheuse ne fonctionne pas	La porte n'est pas bien fermée.	S'assurer que la porte de la sècheuse est complètement fermée.
	Le bouton START/PAUSE (MISE EN MARCHE/PAUSE) n'a pas été appuyé.	Toucher et maintenir enfoncé le bouton de START/PAUSE (MISE EN MARCHE/PAUSE) à l'aide du doigt.
	Un fusible du domicile est grillé ou le disjoncteur est ouvert.	Il peut y avoir deux fusibles ou disjoncteurs domestiques pour la sècheuse. Vérifier que les deux fusibles sont intacts et bien en place ou que les deux disjoncteurs ne se sont pas déclenchés. Remplacer les fusibles ou réenclencher le disjoncteur. Si le problème persiste, appeler un électricien.
	Alimentation électrique incorrecte.	Les sècheuses électriques nécessitent une alimentation électrique de 240 V. Vérifier auprès d'un électricien qualifié.
	Type de fusible incorrect.	Utiliser un fusible temporisé.
La sècheuse ne s'éteint pas	La porte de la sècheuse a été ouverte avant la fin de l'option Wrinkle Prevent (Antifroissement).	Si la porte de la sècheuse est ouverte avant la fin de l'option Wrinkle Prevent (Antifroissement), la sècheuse passe en mode Pause. Il faudra appuyer sur le bouton d'alimentation pour l'éteindre ou sur Start/Pause (Mise en marche/ Pause) pour continuer l'option Wrinkle Prevent (Antifroissement).
La sècheuse ne produit pas de chaleur	Un fusible du domicile est grillé ou le disjoncteur est ouvert.	Il est possible que le tambour tourne, mais sans chaleur. Les sècheuses électriques utilisent deux fusibles ou disjoncteurs domestiques. Remplacer les fusibles ou réenclencher le disjoncteur. Si le problème persiste, appeler un électricien.
	Alimentation électrique incorrecte.	Les sècheuses électriques nécessitent une alimentation électrique de 240 V. Vérifier auprès d'un électricien qualifié.
	Robinet de la canalisation de gaz non ouvert.	Pour les sècheuses au gaz, s'assurer que le robinet de la canalisation d'alimentation en gaz est ouvert.
Sons inhabituels		
Bruit saccadé	La sècheuse n'a pas été utilisée pendant un moment.	Ceci est normal. Le bruit saccadé devrait s'atténuer après quelques minutes d'utilisation.
Bruit de grattement ou de vibration	Un petit objet est coincé dans le bord du tambour de la sècheuse.	Vérifier qu'il n'y a pas de petits objets coincés dans les rebords avant et arrière du tambour. Vider les poches avant le lavage.
	L'aplomb de la sècheuse n'a pas été correctement établi.	La sècheuse peut vibrer si elle n'est pas correctement installée. Voir les instructions d'installation. Les quatre pieds de nivellement de la sècheuse doivent être bien en contact avec le plancher.
	Les vêtements sont en boule dans la sècheuse.	Une charge en boule rebondit, ce qui fait vibrer la sècheuse. Séparer les articles dans la charge et remettre la sècheuse en marche.
Bruit de cliquetis	Robinet de gaz en cours de fonctionnement.	Sur les sècheuses au gaz, on entendra peut-être le cliquetis du robinet de gaz lorsqu'il se ferme ou qu'il s'ouvre. Ceci est normal.
Résultats du séchage		
Les temps de séchage sont trop longs et les vêtements ne séchent pas	Le filtre à charpie est obstrué par de la charpie.	Nettoyer le filtre à charpie avant chaque charge.
	L'option Eco Dry (Séchage Éco) est activée.	Pour des durées de séchage optimales, désactiver l'option Eco Dry (Séchage Éco).
	Le conduit d'évacuation ou le clapet d'évacuation à l'extérieur est obstrué par de la charpie, ce qui restreint le mouvement de l'air.	Faire fonctionner la sècheuse pendant 5 à 10 minutes. Tenir la main sous le clapet d'évacuation à l'extérieur pour vérifier le mouvement de l'air. Si aucun mouvement d'air n'est perceptible, ôter la charpie présente dans le système d'évacuation ou remplacer le conduit d'évacuation par un conduit métallique lourd ou flexible. Voir les instructions d'installation.

Si les problèmes suivants surviennent	Causes possibles	Solution
Résultats du séchage (Suite.)		
Les temps de séchage sont trop longs et les vêtements ne sèchent pas (Suite.)	Le conduit d'évacuation ne possède pas la bonne longueur.	Vérifier que le conduit d'évacuation n'est pas trop long ou ne comporte pas trop de changements de direction. Un long conduit augmentera les durées de séchage. Voir les instructions d'installation.
	Le conduit d'évacuation ne possède pas le bon diamètre.	Utiliser un conduit de 4 po (102 mm) de diamètre.
	La sècheuse n'est pas d'aplomb.	Les vêtements ne sont pas au contact des détecteurs d'humidité lors du fonctionnement des programmes de détection. Voir la section « Ajuster l'aplomb de la sècheuse » dans les Instructions d'installation.
	La charge est trop grosse et trop lourde pour sécher rapidement.	Séparer la charge pour qu'elle culbute librement.
	Des feuilles d'assouplissant obstruent la grille.	La grille de sortie de l'air se trouve à l'intérieur de la porte, derrière le filtre à charpie. Vérifier qu'elle n'est pas obstruée par une feuille d'assouplissant. Utiliser seulement une feuille d'assouplissant par charge et l'utiliser une seule fois.
	La sècheuse se trouve dans une pièce où la température ambiante est inférieure à 45 °F (7 °C).	Pour que les programmes de séchage fonctionnent correctement, la température ambiante doit être supérieure à 45 °F (7 °C).
	La sècheuse est placée dans un placard.	Les portes de placard doivent comporter des ouvertures d'aération au sommet et au bas de la porte. Un espace minimum de 1 po (25 mm) est nécessaire à l'avant de la sècheuse et, pour la plupart des installations, un espace de 5 po (127 mm) est nécessaire à l'arrière de la sècheuse. Voir les instructions d'installation.
La durée du programme est trop courte	La charge n'est peut-être pas en contact avec les bandes de détection (pour les programmes de détection).	Ajuster l'aplomb de la sècheuse. Voir les instructions d'installation. Les quatre pieds de nivellement de la sècheuse doivent être bien en contact avec le plancher.
	Le programme avec détection se termine prématurément.	Modifier le réglage de degré de séchage pour les programmes de détection. L'augmentation ou la diminution du degré de séchage modifiera la durée de séchage d'un programme.
Charpie sur la charge	Le filtre à charpie est obstrué par de la charpie.	Nettoyer le filtre à charpie avant chaque charge.
Présence de taches sur le linge	Utilisation incorrecte de l'assouplissant.	Ajouter les feuilles d'assouplissant au début du programme. Les feuilles d'assouplissant ajoutées à une charge partiellement sèche peuvent tacher les vêtements.
Présence de taches sur le tambour	Teintures instables sur les vêtements.	Les taches sur le tambour sont dues aux teintures contenues dans les vêtements (les jeans en général). Elles ne se transmettront pas aux autres vêtements.
Charges froissées	La charge n'a pas été retirée de la sècheuse à la fin du programme.	REMARQUE: Se reporter aux instructions figurant sur l'étiquette de soin des vêtements. Les articles avec nettoyage à sec uniquement sont déconseillés.
	Les vêtements sont tassés dans la sècheuse.	Faire sécher de plus petites charges qui peuvent culbiter librement. Les résultats peuvent varier selon le type de tissu.
Odeurs	De la peinture, de la teinture ou du vernis a récemment été utilisé dans la pièce où votre sècheuse est installée.	Aérer la pièce. Une fois les odeurs ou émanations disparues, laver et sécher à nouveau les vêtements.
	La sècheuse est utilisée pour la première fois.	Le nouvel élément d'émission de chaleur peut émettre une odeur. L'odeur disparaîtra après le premier programme.

Si les problèmes suivants surviennent	Causes possibles	Solution
Résultats du séchage (Suite.)		
Charge trop chaude	La charge a été retirée avant que la portion de refroidissement du programme ne soit terminée.	Laisser la sècheuse terminer la portion de refroidissement du programme avant d'enlever la charge.
	Utilisation d'un programme minuté avec un réglage de température élevée.	Sélectionner un programme de détection avec un réglage de chaleur inférieur pour éviter que la charge ne soit excessivement sèche.
La sècheuse affiche un message de code ou un témoin est allumé		
« PF » (coupure de courant)	Le programme de séchage a été interrompu par une panne de courant.	Appuyer sur START (DÉMARRAGE) sans relâcher pour redémarrer le programme de séchage, ou appuyer sur le bouton POWER (MISE SOUS TENSION) pour effacer l'affichage.
Code de diagnostic « L2 » (situation de basse tension ou d'absence de tension)	Il est possible qu'un problème d'alimentation électrique du domicile empêche le dispositif de chauffage de la sècheuse de se mettre en marche.	<p>La sècheuse continue de fonctionner lorsque ce code de diagnostic est présent. Appuyer sur n'importe quel nom de réglage ou d'option pour effacer le code de l'affichage et revenir à la durée résiduelle estimée.</p> <p>REMARQUE: Cette erreur n'apparaît qu'au moment de l'installation initiale.</p> <p>Essayer de résoudre le problème de la façon suivante :</p> <p>Déterminer si un fusible est grillé ou si un disjoncteur s'est déclenché. Les sècheuses électriques utilisent deux fusibles ou disjoncteurs domestiques. Remplacer le fusible ou réenclencher le disjoncteur.</p> <p>S'assurer que le cordon d'alimentation est bien installé. Consulter les « Instructions d'installation » pour plus de détails.</p> <p>Sélectionner un programme de Timed Dry (Séchage minuté) avec chaleur et remettre la sècheuse en marche. Si le message reste affiché, consulter un électricien qualifié.</p>
Codes de service variables « F# E# » (F1 E1, F3 E1, etc.)	La sècheuse doit être réparée.	Si un code commençant par un « F » et alternant entre F# et E# apparaît sur l'affichage, cela signifie que le module de commande de la sècheuse a détecté un problème nécessitant une réparation. Appeler pour demander une intervention de dépannage.
Le témoin Check Vent (Vérifier le conduit d'évacuation) est allumé.	Le filtre à charpie ou le conduit d'évacuation est obstrué; le conduit d'évacuation est écrasé, déformé ou présente trop de changements de direction.	<p>La sècheuse continue de fonctionner lorsque ce témoin lumineux est allumé. Essayer de résoudre le problème de la façon suivante :</p> <p>Nettoyer le filtre à charpie.</p> <ul style="list-style-type: none"> • Vérifier que le circuit d'évacuation allant de la sècheuse au mur n'est ni comprimé ni déformé. • S'assurer que le circuit d'évacuation allant de la sècheuse au mur est exempt de charpie et de résidus. • S'assurer que le conduit d'évacuation vers l'extérieur est exempt de charpie et de résidus. • S'assurer que le système d'évacuation respecte bien la longueur totale et le nombre de coudes recommandés pour le type de conduit utilisé. Voir « Planification du système d'évacuation » dans les Instructions d'installation pour plus de détails. • Sélectionner un programme de Timed Dry (Séchage minuté) avec chaleur et remettre la sècheuse en marche. • Si le témoin reste allumé, faire nettoyer la totalité du circuit d'évacuation du domicile.
« Loc »	Le mode Control Lock (Verrouillage des commandes) est activé.	Maintenir CONTROL LOCK (VERROUILLAGE DES COMMANDES) enfoncé pendant 3 secondes pour déverrouiller les commandes de la sècheuse. Pendant cette période, l'affichage à DEL indiquera un compte à rebours « 3-2-1 ». L'écran à DEL s'éteint lorsque le Control Lock (Verrouillage des commandes) est désactivé.

MANUAL DEL PROPIETARIO

SEGURIDAD DE LA SECADORA

Su seguridad y la de los demás son muy importantes.

Hemos incluido muchos mensajes importantes de seguridad en este manual y en su electrodoméstico. Lea y obedezca siempre todos los mensajes de seguridad.



Este es el símbolo de advertencia de seguridad.

Este símbolo le llama la atención sobre peligros potenciales que pueden ocasionar la muerte o una lesión a usted y a los demás.

Todos los mensajes de seguridad irán a continuación del símbolo de advertencia de seguridad y de la palabra "PELIGRO" o "ADVERTENCIA". Estas palabras significan:

⚠ PELIGRO

Usted puede morir o sufrir una lesión grave si no sigue de inmediato las instrucciones.

⚠ ADVERTENCIA

Si no sigue las instrucciones, puede morir o sufrir una lesión grave.

Todos los mensajes de seguridad le dirán cuál es el peligro potencial, cómo reducir las posibilidades de sufrir una lesión y lo que puede suceder si no se siguen las instrucciones.



ADVERTENCIA: "Riesgo de incendio"

- La instalación de la secadora de ropa debe estar a cargo de un instalador competente.
- Instale la secadora de ropa según las instrucciones del fabricante y los códigos locales.
- No instale una secadora de ropa con materiales de ventilación de plástico flexible o un ducto de metal flexible (de hoja de metal). Si se usa un ducto de metal flexible, éste deberá ser de un tipo específico, que esté identificado por el fabricante de electrodomésticos como apto para ser usado con secadoras de ropa. Es sabido que los materiales de ventilación flexible se derrumban, se aplastan con facilidad y atrapan pelusa. Estas condiciones obstruirán el flujo de aire de la secadora de ropa y aumentarán el riesgo de incendio.
- Para reducir el riesgo de lesiones graves o la muerte, siga todas las instrucciones de instalación.
- Guarde estas instrucciones.

INSTRUCCIONES DE SEGURIDAD IMPORTANTES

ADVERTENCIA: Para reducir el riesgo de incendio, choque eléctrico o lesiones personales al usar el electrodoméstico, siga precauciones básicas, entre ellas las siguientes:

- Lea todas las instrucciones antes de usar el electrodoméstico.
- No seque artículos que ya se hayan limpiado, lavado, remojado o manchado con gasolina, disolventes de limpieza en seco u otras sustancias inflamables o explosivas ya que despiden vapores que pueden encenderse o causar una explosión.
- Riesgo de asfixia y lesiones por atrapamiento: No permita que los niños jueguen sobre el electrodoméstico o dentro de este. Es necesario supervisar a los niños cuando se use el electrodoméstico cerca de ellos.
- Antes de poner el electrodoméstico fuera de funcionamiento o de descartarlo, quite la puerta del compartimiento de secado.
- No introduzca las manos cuando el tambor esté en movimiento.
- No instale ni almacene este electrodoméstico en lugares donde quede expuesto a la intemperie.
- No altere los controles.
- No repare o reemplace ninguna pieza del electrodoméstico ni intente realizar una reparación a menos que esto se recomiende específicamente en las instrucciones de mantenimiento o de reparación publicadas para el usuario, y solo si las comprende y tiene la experiencia para llevarlas a cabo.
- No utilice suavizantes de telas o productos para eliminar la estática de prendas a menos que lo recomiende el fabricante del suavizante de telas o del producto en uso.
- No utilice calor para secar prendas que contengan goma espuma o materiales con textura similar a la goma.
- Limpie el filtro de pelusa antes o después de cada carga.
- Mantenga el área alrededor de la abertura de ventilación y las áreas adyacentes a esta abertura sin pelusas, polvo o tierra.
- La parte interior del electrodoméstico y el ducto de escape se deben limpiar periódicamente. Esta limpieza la debe llevar a cabo un personal de servicio calificado.
- No coloque objetos expuestos a aceites para cocinar en su secadora. Los objetos expuestos a aceites para cocinar pueden contribuir a una reacción química que podría causar que una carga se incendie. Para reducir el riesgo de incendio debido a cargas contaminadas, la parte final de un ciclo en la secadora se produce sin calor (periodo de enfriamiento). Evite detener una secadora antes de que termine el ciclo de secado a menos que todos los objetos se saquen y separen rápidamente de modo que el calor se disipe.
- No use piezas de repuesto que no hayan sido recomendadas por el fabricante (por ejemplo, piezas hechas en casa con una impresora 3D).
- Vea las instrucciones de instalación para conocer los requisitos de conexión a tierra y de instalación.
- No instale un ventilador de refuerzo en el ducto de escape.
NOTA: La advertencia del ventilador de refuerzo no se aplica a las secadoras de ropa diseñadas para ser instaladas en un sistema de secadora de ropa múltiple, con un sistema de conducto de escape diseñado que se instala según las pautas del fabricante de dicha secadora.

CONSERVE ESTAS INSTRUCCIONES

INSTRUCCIONES IMPORTANTES DE SEGURIDAD

CUANDO DESECHE O GUARDE SU SECADORA DE ROPA ANTERIOR, QUÍTELE LA PUERTA.

GUARDE ESTAS INSTRUCCIONES

Guide de connexion Internet pour les appareils connectés uniquement

IMPORTANTE: El usuario es responsable de instalar debidamente el electrodoméstico antes del uso. Asegúrese de leer y seguir las instrucciones de instalación proporcionadas con su electrodoméstico.

La conectividad requiere Wi-Fi y la creación de una cuenta. Las características y las funciones de la aplicación podrían cambiar. Es posible que se apliquen tarifas de datos. Una vez instalada, inicie la app. Será guiado por los pasos necesarios para configurar una cuenta de usuario y conectar su electrodoméstico.

Necesitará:

- Un enrutador inalámbrico doméstico que admita Wi-Fi, 2,4 GHz con seguridad WPA2. Si no está seguro de la capacidad de su router, consulte las instrucciones del fabricante del router.
- El router debe estar encendido y tener una conexión activa a Internet.
- El código SAID de 10 caracteres para su electrodoméstico. El código SAID está impreso en una etiqueta en el electrodoméstico o puede encontrarlo en la pantalla LCD.

Aviso de conformidad con la Comisión Federal de Comunicaciones (FCC)

Este dispositivo cumple con la parte 15 de las reglas de la FCC. El funcionamiento está sujeto a las siguientes dos condiciones:

1. Este aparato no provocará interferencias nocivas, y
2. Este aparato debe aceptar cualquier interferencia recibida, incluida una que pueda causar un funcionamiento no deseado.

Los cambios o las modificaciones sin aprobación expresa de la parte responsable del cumplimiento podrían anular la autorización del usuario para operar el equipo.

Aviso de conformidad con Industry Canada (IC)

Este dispositivo cumple con las normas RSS exentas de licencia de Industry Canada. El funcionamiento está sujeto a las siguientes dos condiciones:

1. Es posible que este dispositivo no cause interferencia.
2. Este dispositivo debe aceptar cualquier interferencia, incluida aquella que pueda causar un funcionamiento no deseado del dispositivo.

Según la normativa de Industry Canada, este radiotransmisor solo puede operar con una antena de un tipo y máxima (o menor) ganancia aprobada para el transmisor por Industry Canada. Para reducir la potencial interferencia de radio para otros usuarios, el tipo de antena y su ganancia deben elegirse de modo que la potencia radiada isotrópicamente equivalente (e.i.r.p.) no sea mayor que la necesaria para una comunicación satisfactoria.

Para cumplir con los límites de exposición a radiación RF de la FCC e Industry Canada para la población general, las antenas usadas para este transmisor deben instalarse de modo que se mantenga una distancia de separación mínima de 20 cm entre el radiador (antena) y todas las personas en todo momento y no se debe ubicar ni operar junto con ninguna otra antena o transmisor.

Si este equipo de hecho causa interferencia perjudicial a la recepción de radio o televisión, lo cual se puede determinar apagando y encendiendo el equipo, se recomienda al usuario que intente corregir la interferencia con una de las siguientes medidas:

- Reoriente o reubique la antena receptora.
- Aumente la separación entre el equipo y el receptor.
- Conecte el equipo a un tomacorriente en un circuito diferente del que se usa para conectar el receptor.
- Consulte al distribuidor o a un técnico en radio/TV con experiencia en caso de necesitar ayuda.

MANTENIMIENTO Y CUIDADO DE LA SECADORA

Limpieza del lugar donde está la secadora

⚠ ADVERTENCIA



Peligro de explosión

Mantenga materiales y vapores inflamables, como la gasolina, alejados de la secadora.

No seque ningún artículo que haya tenido alguna vez cualquier sustancia inflamable (aún después de lavarlo).

Coloque la secadora a un mínimo de 18 pul (460 mm) sobre el piso para la instalación en un garaje.

No seguir esta instrucción puede ocasionar la muerte, explosión o incendio.

Mantenga el área donde está la secadora despejada y libre de artículos que puedan obstruir el flujo de aire para el funcionamiento adecuado de la secadora. Esto incluye retirar las pilas de ropa que haya delante de la secadora.

Limpieza del interior de la secadora

Para limpiar el tambor de la secadora:

1. Use un limpiador no inflamable o un detergente suave para lavar vajilla a mano mezclado a una concentración baja con agua muy tibia y frote con un paño suave.
 - Enjuague bien con una esponja o una toalla húmeda.
 - Haga rotar una carga de ropa limpia o toallas para secar el tambor.

O BIEN

2. Use un paño de microfibra y agua muy caliente en una botella de rociado para limpiar el tambor y otro paño de microfibra para secarlo.

NOTA: Las prendas de colores que destiñen, los pantalones de jeans o los artículos de algodón de colores vivos pueden teñir el interior de la secadora. Estas manchas no dañan la secadora ni mancharán las cargas futuras de ropa. Seque los artículos de colores que destiñen del revés para evitar la transferencia del tinte.

Eliminación de pelusa acumulada

En el interior del gabinete de la secadora:

Según el uso de la secadora, se debe quitar la pelusa cada 2 años o con más frecuencia. La limpieza debe estar a cargo de personal de servicio para electrodomésticos competente o de un limpiador de sistemas de ventilación.

En el ducto de escape:

Según el uso de la secadora, se debe quitar la pelusa cada 2 años o con más frecuencia.

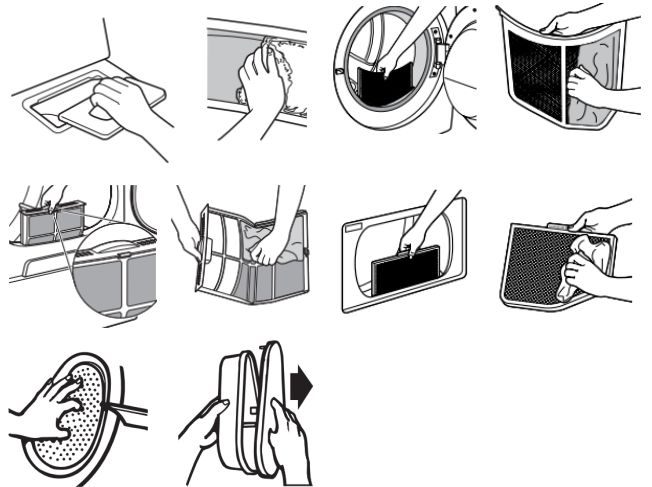
Limpieza del filtro de pelusa

Limpieza en cada carga:

El filtro de pelusa puede estar ubicado en la abertura de la puerta o en la parte superior de la secadora según el modelo. Un filtro obstruido con pelusa puede aumentar el tiempo de secado.

Para limpiarlo:

1. Retire el filtro de pelusa. De ser necesario, presione la lengüeta para liberar y abrir el filtro de pelusa. Quite la pelusa enrollándola con los dedos. No enjuague ni lave el filtro para quitar la pelusa. La pelusa mojada es difícil de sacar.



2. Empuje el filtro de pelusa con firmeza nuevamente en su lugar.

IMPORTANTE:

- No ponga a funcionar la secadora con el filtro de pelusa flojo, dañado, obstruido o sin él. Eso puede causar sobrecalentamiento y dañar tanto la secadora como las prendas.
- Si al quitar la pelusa del filtro ésta cae dentro de la secadora, revise la capota de ventilación y quite la pelusa. Vea "Requisitos de ventilación" en las Instrucciones de instalación.
- Limpie el espacio donde se encuentra el filtro de pelusa según sea necesario. Use una aspiradora para retirar con suavidad toda la pelusa que se haya acumulado fuera del filtro de pelusa.

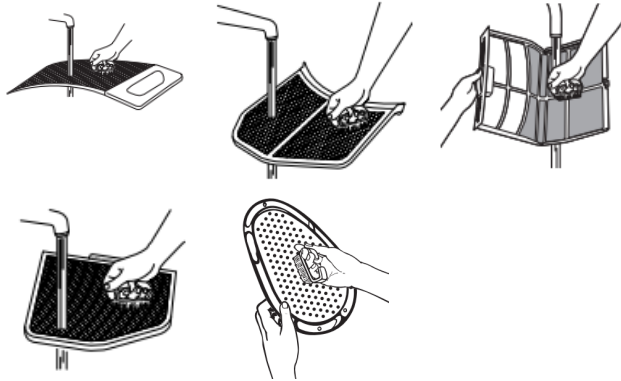
Limpieza según la necesidad:

Los residuos de detergente y suavizante de telas pueden acumularse en el filtro de pelusa. Esta acumulación puede dar lugar a que se prolongue el tiempo de secado de la ropa, o a que la secadora se detenga antes de que la ropa esté completamente seca. El filtro probablemente esté obstruido si cae pelusa del filtro mientras está dentro de la secadora. Limpie el filtro de pelusa con un cepillo de nylon cada 6 meses, o con más frecuencia, si se obstruye debido a la acumulación de residuos.

Para lavar:

1. Quite la pelusa enrollándola con los dedos.
2. Moje ambos lados del filtro de pelusa con agua caliente.

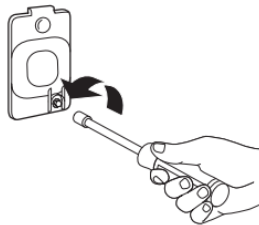
3. Moje un cepillo de nylon con agua caliente y detergente líquido. Frote el filtro de pelusa con el cepillo para quitar la acumulación de residuos.



4. Enjuague el filtro con agua caliente.
5. Seque minuciosamente el filtro de pelusa con una toalla limpia. Vuelva a colocar el filtro en la secadora.

Cambio de la luz del tambor (en algunos modelos)

1. Desenchufe la secadora o desconecte el suministro eléctrico.
2. Abra la puerta de la secadora. Localice la cubierta del foco de luz en la pared posterior de la secadora. Con una llave de tuercas o llave de tubo hexagonal de 1/4" (6,5 mm), retire el tornillo ubicado en la esquina inferior derecha de la cubierta. Quite la cubierta.



3. Gire el foco en sentido contrario a las manecillas del reloj. Reemplácelo únicamente por un foco para electrodomésticos de 10 W. Vuelva a colocar la cubierta y asegúrela con un tornillo.
4. Enchufe la secadora o reconecte el suministro de energía.

Revise que el sistema de ventilación tenga un buen flujo de aire

⚠ ADVERTENCIA



Peligro de incendio

Use un ducto de escape de metal pesado.

No use un ducto de escape de plástico.

No use un ducto de escape de aluminio.

No seguir estas instrucciones puede ocasionar la muerte o un incendio.

Good Airflow (Buen flujo de aire)

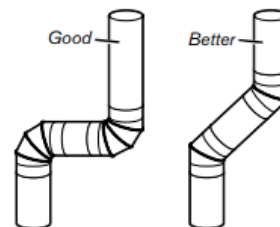
Además de calor, las secadoras también necesitan un buen flujo de aire para secar las prendas de manera eficiente. La ventilación adecuada reducirá la duración del secado y mejorará su ahorro de energía. Consulte las Instrucciones de instalación.

El sistema de ventilación conectado a la secadora desempeña una función muy importante para el flujo de aire adecuado. Los ductos de ventilación bloqueados o aplastados, así como una instalación con ventilación inadecuada, disminuirán el flujo de aire y el rendimiento de la secadora.

Las visitas de servicio debidas a la ventilación inadecuada no están cubiertas por la garantía y correrán por cuenta del cliente, sin importar quién haya instalado la secadora. Para limpiar o reparar la ventilación, comuníquese con un especialista en ventilación.

Cómo mantener un buen flujo de aire

- Limpiar el filtro de pelusa antes de cada carga.
- Reemplazar el material del ducto de plástico u hoja de metal con uno de metal pesado rígido de 4" (102 mm) de diámetro.
- Use un ducto con la longitud más corta posible.
- No utilice más de cuatro codos de 90° en un sistema de ventilación; cada ángulo y curva reduce el flujo de aire.



- Quite la pelusa y los desechos de la capota de ventilación.
- Quite la pelusa de toda la longitud del sistema de ventilación al menos cada 2 años. Cuando haya terminado la limpieza, revise por última vez el producto asegurándose de seguir las Instrucciones de instalación.
- Retire los artículos que estén frente a la secadora.

Cuidados que se deben tener en cuenta para las mudanzas, el almacenamiento y los periodos sin uso

Cuidado durante la falta de uso o el almacenamiento

Si va a salir de vacaciones o no va a usar la secadora por un tiempo prolongado, debe hacer lo siguiente:

1. Desenchufe la secadora o desconecte el suministro eléctrico.
2. Limpie el filtro de pelusa. Vea "Limpieza del filtro de pelusa".
3. Solo modelos con vapor: Interrumpa el suministro de agua a la secadora. Esto ayuda a evitar inundaciones (debido a aumentos en la presión del agua) en su ausencia.

Cuidados en caso de mudanza

Para las secadoras conectadas con cable eléctrico:

1. Desenchufe el cable eléctrico.
2. Solo modelos de vapor: Cierre el grifo de agua. Desconecte la manguera de entrada de agua del grifo y elimine el agua de la manguera. Transporte la manguera en forma separada.
3. Asegúrese de que las patas niveladoras estén fijadas en la base de la secadora.
4. Use cinta adhesiva para asegurar la puerta de la secadora.
5. En modelos con moldura de base, retire la moldura de base antes de mover la secadora. Consulte "Instalar y retirar las patas de la moldura de base (en algunos modelos)" para ver detalles.

Para secadoras con cable directo:

⚠ ADVERTENCIA



Peligro de choque eléctrico

Desconecte el suministro eléctrico antes de realizar el servicio.

Vuelva a colocar las piezas y los paneles antes de usar la fábrica.

Si no lo hace, puede ocasionar una descarga eléctrica e incluso una muerte.

1. Apague la electricidad en la caja de fusibles o el disyuntor.
2. Desconecte el cableado.
3. Solo modelos de vapor: Cierre el grifo de agua. Desconecte la manguera de entrada de agua del grifo y elimine el agua de la manguera. Transporte la manguera en forma separada.
4. Asegúrese de que las patas niveladoras estén fijadas en la base de la secadora.
5. Use cinta adhesiva para asegurar la puerta de la secadora.
6. En modelos con moldura de base, retire la moldura de base antes de mover la secadora. Consulte "Instalar y retirar las patas de la moldura de base (en algunos modelos)" para ver detalles.

Para acondicionar la secadora para el invierno:

1. Desenchufe la secadora o desconecte el suministro eléctrico.
2. Cierre el grifo de agua.
3. Desconecte la manguera de entrada de agua del grifo y elimine el agua.

Para volver a usar la secadora:

1. Deje correr agua por las tuberías. Vuelva a conectar la manguera de entrada del agua al grifo. Abra el grifo del agua.
2. Enchufe la secadora o vuelva a conectar la electricidad como se describe en las Instrucciones de instalación.

Cómo volver a instalar la secadora

Siga las "Instrucciones de instalación" para ubicar, nivelar y conectar la secadora.

Instrucciones especiales para los modelos con vapor

Instale y guarde la secadora en un lugar donde no se congele. Debido a que puede quedar un poco de agua en la manguera, el congelamiento puede dañar la secadora. Si va a guardar o trasladar la secadora durante una temporada de invierno riguroso, acondiciónela para el invierno.

Manguera de entrada de agua

Reemplace la manguera de entrada y el filtro de la manguera después de 5 años de uso para reducir el riesgo de que fallen. Inspeccione periódicamente y cambie la manguera de entrada si encuentra protuberancias, torceduras, cortes, desgaste o pérdidas de agua.

Cuando reemplace la manguera de entrada, anote la fecha de reposición.

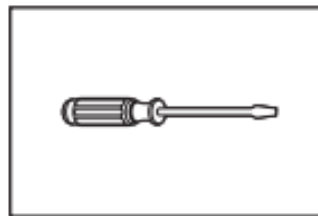
REQUISITOS DE INSTALACIÓN

Herramientas y piezas

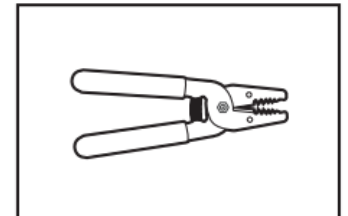
NOTA: Instale la secadora de ropa según las instrucciones del fabricante y los códigos locales.

Reúna las herramientas y piezas necesarias antes de comenzar la instalación. Lea y siga las instrucciones provistas con cualquiera de las herramientas detalladas aquí.

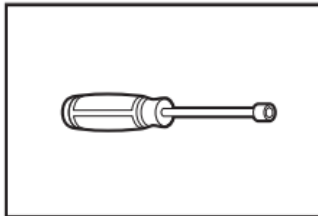
Herramientas necesarias para todas las instalaciones:



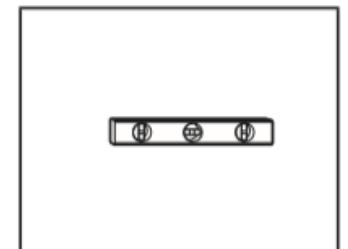
Destornillador de cabeza plana



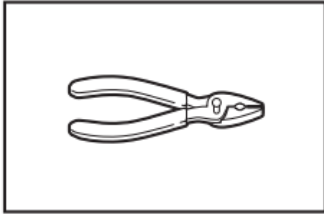
Pelacables



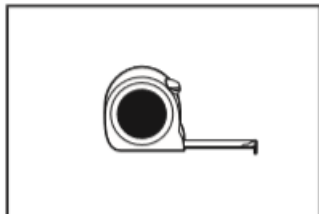
Llave para tuercas de 1/4"



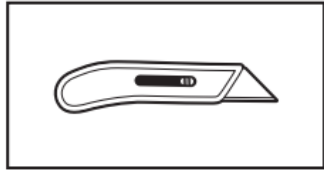
Nivel



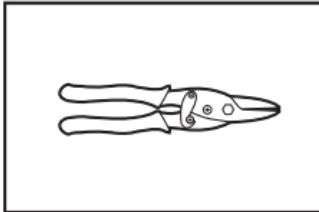
Pinzas



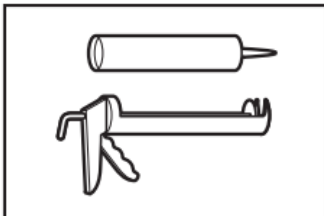
Cinta métrica



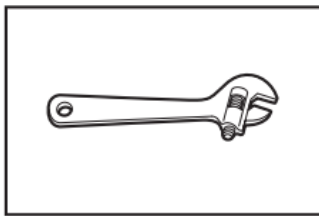
Cuchillo para uso general



Tijeras cortachapa

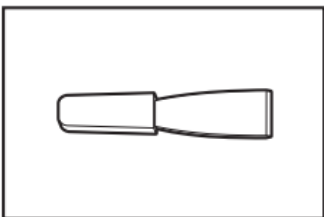


Pistola y compuesto para calafateo



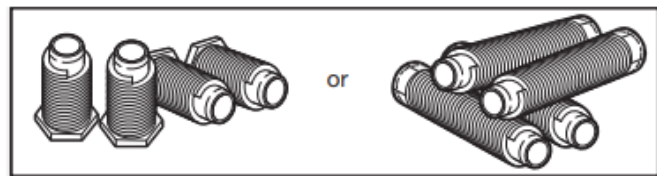
Llave ajustable que se abra a 1" (25 mm) o llave de cubo de cabeza hexagonal

Herramientas adicionales requeridas (en algunos modelos):



Cuchillo para masilla

Piezas suministradas (todos los modelos):



Patatas niveladoras (4) (el largo y aspecto de las patas puede variar según el modelo)

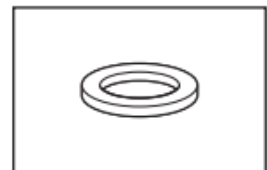
El paquete con piezas está ubicado en el tambor de la secadora. Verifique que estén todas las piezas.

NOTA: No use las patas niveladoras incluidas con la secadora si la va a instalar sobre un pedestal o si la va a apilar.

Piezas necesarias (modelos con vapor):



Conector en "Y"



Arandela de goma

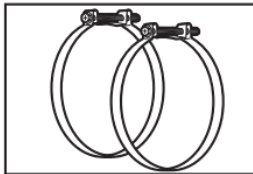


Manguera de entrada de 2' (0,6 m)



Manguera de entrada de 5' (1,52 m)

Modelos con ducto:



Abrazaderas para ducto, codos y equipo de ventilación

Piezas necesarias (no se suministran con la secadora):

Es posible que necesite piezas adicionales según su instalación. Verifique los códigos locales. Verifique el suministro eléctrico y la ventilación existentes. Consulte "Requisitos eléctricos" y "Requisitos de ventilación" antes de comprar las piezas.

Las instalaciones en casas rodantes requieren piezas para ducto de escape de metal que están disponibles en la tienda al por menor donde usted compró su secadora. Para obtener más información, consulte la Guía de inicio rápido para obtener la información de contacto del servicio técnico.

Accesorios disponibles:

Hay accesorios y piezas de repuesto disponibles para este modelo. Para obtener la información de contacto o sobre pedidos, consulte la Guía de inicio rápido.

Requisitos de ubicación

⚠ ADVERTENCIA



Peligro de explosión

Mantenga materiales y vapores inflamables, como la gasolina, alejados de la secadora.

No seque ningún artículo que haya tenido alguna vez cualquier sustancia inflamable (aún después de lavarlo).

Coloque la secadora a un mínimo de 18 pul (460 mm) sobre el piso para la instalación en un garaje.

No seguir esta instrucción puede ocasionar la muerte, explosión o incendio.

Verifique los requisitos de las normativas. Algunos códigos limitan, o no permiten, la instalación de la secadora en garajes, armarios, casas rodantes o en dormitorios. Comuníquese con el inspector de construcciones de su localidad.

Necesitará:

- **Para los modelos con ventilación:** Una ubicación que permita una instalación adecuada del ducto de escape. Vea "Requisitos de ventilación".
- Un circuito separado de 30 A para secadoras eléctricas.
- Si está usando un cable eléctrico, un contacto con conexión a tierra ubicado a no más de 2 pies (610 mm) de cualquiera de los lados de la secadora. Vea "Requisitos eléctricos".
- Un piso que soporte el peso de la secadora de 200 lb (90,7 kg). Tenga en cuenta también el peso de otro electrodoméstico que le acompañe.
- **Para las secadoras con vapor:** Grifos de agua fría situados a menos de 4 pies (1,2 m) de las válvulas de llenado de agua, y una presión de agua de 20-120 psi (138-827 kPa). Puede utilizar el suministro de agua de su lavadora utilizando las piezas necesarias que se mencionan en "Piezas necesarias" y que es posible que tenga que comprar (estas piezas no se incluyen con su electrodoméstico y son opcionales).
- Piso nivelado con una pendiente máxima de 1" (25 mm) debajo de toda la secadora. Si el declive es mayor a 1" (25 mm), instale el juego de extensión de patas de la secadora. Si la secadora no está nivelada, la ropa quizás no rote adecuadamente y los ciclos con sensor automático posiblemente no funcionen debidamente.
- Para realizar una instalación en el garaje, coloque la secadora por lo menos a 18" (460 mm) por encima del piso. Si va a usar un pedestal, necesitará 18" (460 mm) hasta la parte inferior de la secadora.
- No debe instalarse ni guardarse la secadora en un área en donde pueda estar expuesta al agua o a la intemperie.

IMPORTANTE: No haga funcionar la secadora en temperaturas inferiores a 45°F (7°C). Las temperaturas más bajas pueden hacer que la secadora no se apague al final de los ciclos automáticos con sensor, lo que resultará en tiempos de secado más largos.

Espacios libres para la instalación:

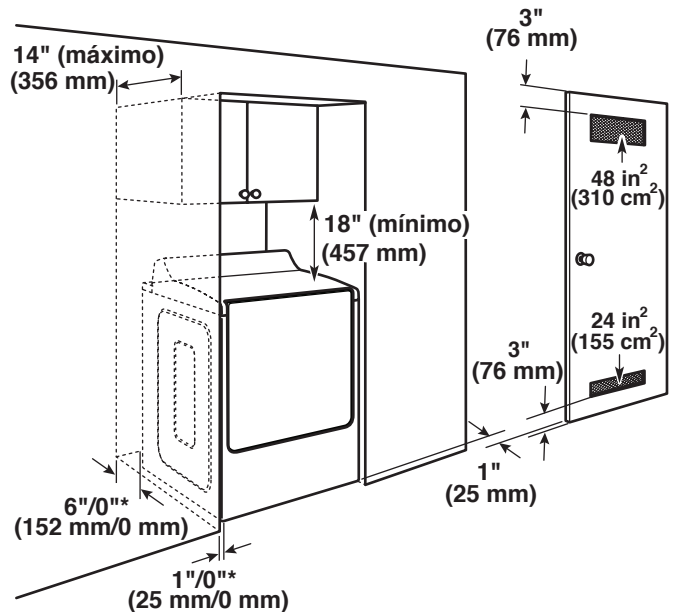
Para cada disposición, considere dejar más espacio para facilitar la instalación y el servicio técnico, así como espacio para electrodomésticos que le acompañen y espacios libres para las molduras de la pared, de la puerta y del piso. El espacio debe ser lo suficientemente grande para permitir que la puerta de la secadora se abra por completo. Agregue espacio en todos los lados de la secadora para reducir la transferencia de ruido. Si se usa una puerta de clóset, se requiere de aberturas de aire superior e inferior. Pueden utilizarse puertas tipo persianas con aberturas de ventilación equivalentes.

Espacio para la instalación en un lugar empotrado o en un clóset

Todas las dimensiones muestran el espacio recomendado y mínimo permitido.

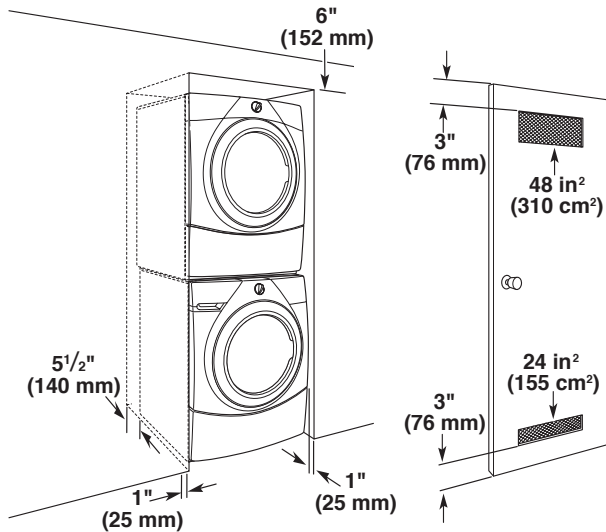
- Debe considerarse espacio adicional para facilitar la instalación y el servicio técnico.
- Se podría necesitar espacio libre adicional para las molduras de la pared, de la puerta, del piso, la ventilación de la secadora y el sistema de desagüe.
- Se debe considerar agregar espacio adicional en todos los lados de la secadora para reducir la transferencia de ruido.
- Para la instalación en clóset con puerta, se requieren aberturas de ventilación mínimas en la parte superior e inferior de la puerta para los modelos con ventilación. Se aceptan puertas tipo persianas con aberturas de ventilación equivalentes.
- También se debe considerar espacio adicional para otro electrodoméstico que le acompañe.

Espacios libres para la instalación recomendados (solo para la secadora):



Espacios mínimos/recomendados

Instalación en armario (lavadora y secadora apiladas):



Espacios libres mínimos para la instalación (solamente para la secadora):

	Parte frontal	Lados	Parte de atrás	Parte superior
Lugar empotrado	N/D	0" (0 mm)	0" (0 mm)	18" (457 mm) al gabinete/estante
Armario	1" (25 mm)	0" (0 mm)	0" (0 mm)	18" (457 mm) al gabinete/estante

El espacio posterior de 0" (0 mm) solamente está permitido para la ventilación hacia atrás.

Solo modelos de vapor, la manguera de entrada de agua no debe estar torcida.

Requisitos de instalación adicionales para casas rodantes

Esta secadora es apropiada para instalaciones en casas rodantes. La instalación debe ajustarse al Manufactured Home Construction and Safety Standard (Estándar de seguridad y construcción de casas fabricadas), Título 24 CFR, Parte 3280 (anteriormente conocido como Federal Standard for Mobile Home Construction and Safety (Estándar federal para la seguridad y construcción de casas rodantes), Título 24, HUD Parte 280) o al Standard for Mobile Homes (Estándar para casas rodantes), CAN/CSA-Z240 MH.

Las instalaciones en casas rodantes requieren lo siguiente:

- Piezas para el sistema de escape de metal, disponibles a través de su distribuidor.
- Se deben tomar medidas especiales en el caso de casas rodantes para introducir aire del exterior en la secadora. La abertura (como la de una ventana adyacente) deberá ser por lo menos del doble de tamaño que la abertura de ventilación de la secadora.

Requisitos eléctricos – EE.UU.

Es su responsabilidad:

- Comunicarse con un instalador eléctrico calificado.
- Asegurarse de que la conexión eléctrica sea adecuada y de conformidad con el Código Nacional Eléctrico, ANSI/NFPA 70 (última edición) y con todos los códigos y ordenanzas locales. El Código Nacional Eléctrico requiere una conexión de suministro eléctrico de 4 hilos para aquellos hogares construidos después de 1996, para los circuitos de secadora que se hayan reformado después de 1996 y todas las instalaciones de casas rodantes. Puede obtener una copia de los códigos antes indicados en: National Fire Protection Association, One Batterymarch Park, Quincy, MA 02169–7471.
- Proveer el suministro eléctrico requerido de 3 o 4 hilos, monofásico, de 120/240 V, 60 Hz, CA solamente (o un suministro eléctrico de 3 o 4 hilos, de 120/208 V, si se especifica en la placa indicadora de clasificación/de la serie) en un circuito separado de 30 A, protegido con fusibles en ambos lados de la línea. Conectar a un circuito derivado individual. No coloque un fusible en el circuito neutro o de conexión a tierra.
- No utilice un cable de extensión.
- Si los códigos lo permiten y se emplea un cable de conexión a tierra separado, se recomienda que un electricista competente determine si la trayectoria de descarga a tierra es adecuada.

Conexión eléctrica

Para instalar su secadora adecuadamente, debe determinar el tipo de conexión eléctrica que va a usar y seguir las instrucciones que aquí se proveen para el caso.

- Esta secadora ha sido fabricada lista para ser instalada en una conexión de suministro eléctrico de 3 hilos. El conductor de enlace neutro está permanentemente conectado al conductor neutro (cable blanco), dentro de la secadora. Si los códigos eléctricos locales requieren el uso de un interruptor de circuito por falla a tierra, entonces se requiere una conexión de suministro eléctrico de 4 hilos. El conductor de enlace neutro debe retirarse del conector de tierra externo (tornillo verde) y asegurarse debajo del terminal neutro (cable central o blanco) del bloque de terminales. Cuando el conductor neutro de enlace esté ajustado debajo de la terminal neutra (cable central o blanco) del bloque de terminal, el gabinete de la secadora queda aislado del conductor neutro. El hilo verde a tierra del cable eléctrico de 4 hilos debe asegurarse al gabinete de la secadora con el tornillo verde de puesta a tierra
- Si los códigos locales no permiten la conexión de un cable neutro de enlace al cable neutro, consulte "Conexión opcional de 3 hilos".
- Deberá usarse una conexión con suministro eléctrico de 4 hilos cuando el aparato esté instalado en una ubicación en la cual esté prohibida la conexión a tierra a través del conductor neutro. Está prohibido hacer la puesta a tierra a través del conductor neutro para (1) las nuevas instalaciones de circuito derivado después de 1996, (2) casas rodantes, (3) vehículos de recreación y (4) áreas donde los códigos locales prohíben la conexión a tierra a través de conductores neutros.

Si emplea un cable de suministro eléctrico:

Use un juego de cable eléctrico que esté en la lista de UL, para ser usado con secadoras de ropa. El juego deberá incluir:

- Un cable de suministro de energía de 30 A, que esté en la lista de UL, de 120/240 V, como mínimo. El cable deberá ser del tipo SRD o SRDT, y tener por lo menos 4 pies (1,22 m) de largo. Los cables que lo conectan a la secadora deben acabar en terminales de anillo o de horquilla con los extremos hacia arriba.
- Un protector de cables que esté en la lista de UL.

Si el contacto de pared luce como éste:



Tomacorriente de 4 hilos (14-30R)

Entonces elija un cable de suministro eléctrico de 4 hilos con terminales de anillo o de horquilla y con protector de cables que esté en la lista de UL. El cable eléctrico de 4 hilos, de por lo menos 4 pies (1,22 m) de largo, debe tener 4 hilos de cobre de calibre 10 y encajar en un tomacorriente para 4 hilos tipo NEMA de 14-30R. El cable de puesta a tierra (conductor a tierra) puede ser verde o desnudo. Se deberá indicar el conductor neutro con una cubierta blanca.

Si el contacto de pared luce como éste:



Tomacorriente de 3 hilos (10-30R)

Entonces elija un cable de suministro eléctrico de 3 hilos con terminales de anillo o de horquilla y con protector de cables que esté en la lista de UL. El cable eléctrico de 3 hilos, de por lo menos 4 pies (1,22 m) de largo, debe tener 3 hilos de cobre de calibre 10 y encajar en un tomacorriente para 3 hilos de NEMA Tipo 10-30R.

Si hace la conexión con cableado directo:

El cable eléctrico debe ser igual al suministro eléctrico (de 4 hilos o de 3 hilos) y debe ser:

- Cable blindado flexible o cable de cobre forrado no metálico (con cable de conexión a tierra), cubierto con un conducto metálico flexible. Todos los cables conductores de corriente deben estar aislados.
- Hilos de cobre sólido de calibre 10 (no use aluminio) de por lo menos 5 pies (1,52 m) de largo.

INSTRUCCIONES DE CONEXIÓN A TIERRA

Para la conexión de un electrodoméstico mediante cable eléctrico conectado a tierra:

Este electrodoméstico debe estar conectado a tierra. En caso de funcionamiento defectuoso o avería, la conexión a tierra reducirá el riesgo de choque eléctrico al proporcionar una vía de menor resistencia para la corriente eléctrica. Este electrodoméstico está equipado con un cable que cuenta con un conductor para la conexión a tierra del equipo y un enchufe de conexión a tierra. El enchufe debe conectarse en un tomacorriente apropiado, que esté debidamente instalado y conectado a tierra de acuerdo con todos los códigos y ordenanzas locales.

ADVERTENCIA: La conexión incorrecta del conductor de conexión a tierra del equipo puede dar como resultado un choque eléctrico. Verifique con un electricista o un técnico de servicio calificado si no está seguro de que la conexión a tierra del electrodoméstico sea la adecuada. No modifique el enchufe provisto con el electrodoméstico: Si no encaja en el tomacorriente, solicite a un electricista calificado que instale un tomacorriente adecuado.

Para un electrodoméstico con conexión permanente:

Este electrodoméstico debe estar conectado a un sistema de cableado de metal, permanente, conectado a tierra, o se debe tender un conducto para la conexión a tierra del equipo con los conductores de circuito y conectado a la terminal de tierra del equipo o al conductor de suministro del electrodoméstico.

GUARDE ESTAS INSTRUCCIONES

Requisitos eléctricos – Canadá

⚠ ADVERTENCIA



Peligro de choque eléctrico

Conecte a un tomacorriente con conexión a tierra de 4 terminales.

Si no lo hace, puede ocasionar una descarga eléctrica e incluso una muerte.

Es su responsabilidad:

- Comunicarse con un instalador eléctrico calificado.
- Asegurarse de que la conexión eléctrica sea adecuada y de conformidad con el Código eléctrico canadiense, C22.1 – última edición y con todos los códigos locales. Puede obtener una copia de todas las normas arriba indicadas en: Canadian Standards Association, 178 Rexdale Blvd., Toronto, ON M9W 1R3 CANADÁ.
- Proveer el suministro eléctrico requerido de 4 cables, monofásico, de 120/240 V, 60 Hz, CA solamente en un circuito separado de 30 A, protegido con fusibles en ambos lados de la línea. Se recomienda un fusible retardador o un disyuntor. Conectar a un circuito derivado individual.
- La secadora está equipada con un cable de suministro de energía certificado por CSA International y UL para ser enchufado en un tomacorriente de pared estándar tipo 14-30R. El cable tiene 5 pies (1,52 m) de largo. Cerciórese que haya un tomacorriente de pared al alcance de la ubicación final de la secadora”.
- Si los códigos lo permiten y se emplea un cable de conexión a tierra separado, se recomienda que un electricista competente determine si la trayectoria de descarga a tierra es adecuada.
- No utilice un cable de extensión.



Tomacorriente de 4 hilos (14-30R)

Para obtener más información o para obtener un reemplazo del cable eléctrico, consulte la información de contacto que aparece en su Guía de inicio rápido.

INSTRUCCIONES DE CONEXIÓN A TIERRA

Para la conexión de un aparato mediante cable eléctrico conectado a tierra:

Este electrodoméstico debe estar conectado a tierra. En caso de funcionamiento defectuoso o avería, la conexión a tierra reducirá el riesgo de choque eléctrico al proporcionar una vía de menor resistencia para la corriente eléctrica. Este electrodoméstico está equipado con un cable que cuenta con un conductor para la conexión a tierra del equipo y un enchufe de conexión a tierra. El enchufe debe conectarse en un tomacorriente apropiado, que esté debidamente instalado y conectado a tierra de acuerdo con todos los códigos y ordenanzas locales.

ADVERTENCIA: La conexión incorrecta del conductor de conexión a tierra del equipo puede dar como resultado un choque eléctrico. Verifique con un electricista o un técnico de servicio calificado si no está seguro de que la conexión a tierra del electrodoméstico sea la adecuada. No modifique el enchufe provisto con la lavavajillas; si no encaja en el tomacorriente, consulte a un electricista competente para instalar un tomacorriente adecuado.

GUARDE ESTAS INSTRUCCIONES

INSTALACIÓN

Instalación de las patas niveladoras

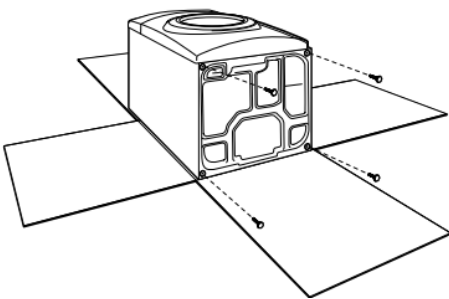
⚠ ADVERTENCIA

Peligro de peso excesivo

Use dos o más personas para mover e instalar o desinstalar el electrodoméstico.

No seguir esta instrucción puede ocasionar lesiones en la espalda o de otro tipo.

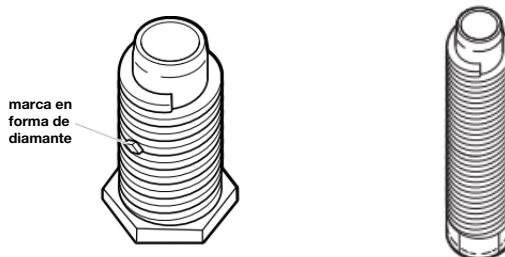
1. Prepare la secadora para las patas niveladoras



Para evitar daños en el piso, use un pedazo de cartón grande y plano de la caja de la secadora; colóquelo debajo de todo el borde posterior de la secadora. Sujete con firmeza el cuerpo de la secadora (no el panel de la consola) y coloque la secadora suavemente sobre el cartón.

NOTA: Puede que drene agua residual de las pruebas de fábrica cuando la secadora esté apoyada sobre los lados.

2. Atornille las patas niveladoras



Pata niveladora con marca en forma de diamante.

Pata niveladora sin marca en forma de diamante

Con una llave de tuercas y una cinta para medir, atornille las patas niveladoras dentro de los orificios hasta que la base de la pata esté de aproximadamente 1/2" (13 mm) a 1 1/2" (38 mm) de la base de la secadora.

Para las patas niveladoras con la marca en forma de diamante:

Atornille con la mano las patas en los orificios para éstas. Use una llave de tuercas para terminar de atornillar las patas hasta que la marca en forma de diamante no quede visible.

Coloque un poste esquinal de cartón del empaque de la secadora debajo de cada una de las dos esquinas posteriores de la secadora. Ponga la secadora de pie. Deslice la secadora sobre los postes esquinales hasta que quede cerca de su ubicación final. Deje suficiente espacio para conectar el ducto de escape.

Instalación eléctrica – EE. UU.

⚠ ADVERTENCIA



Peligro de incendio

Para el cable eléctrico, use un cable eléctrico de 30 A de la lista de UL.

Para un cable directo, use un cable de cobre sólido de calibre 10.

Use un protector de cables con certificación UL.

Desconecte el suministro eléctrico antes de realizar las conexiones eléctricas.

Conecte el hilo neutro (hilo blanco o central) a la terminal central (plateada).

Conecte el cable de conexión a tierra (verde o desnudo) con el conector verde a tierra.

Conecte los 2 hilos de suministro restantes con las 2 terminales restantes (doradas).

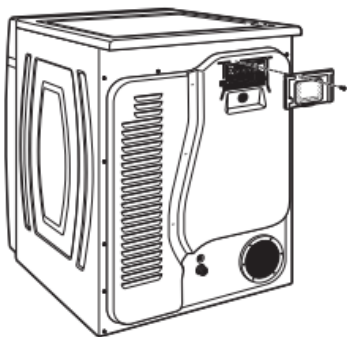
Ajuste bien todas las conexiones eléctricas.

No seguir estas instrucciones puede causar la muerte, un incendio o una descarga eléctrica.

1. Desconecte el suministro eléctrico

2. Quite la tapa del bloque de terminal

NOTA: La tapa de su bloque de terminales puede estar en un lugar diferente.



Quite el tornillo de sujeción y la cubierta de la caja de terminal.

3. Seleccione el tipo de conexión eléctrica



Tomacorriente de 4 hilos (Tipo NEMA 14-30R) para cable eléctrico: Consulte "Conexión de suministro eléctrico de 4 hilos". Después, vaya a "Requisitos de ventilación".



Tomacorriente de 3 hilos (Tipo NEMA 10-30R) para cable eléctrico: Consulte "Conexión de suministro eléctrico de 3 hilos". Después, vaya a "Requisitos de ventilación".

Conexión directa de 4 hilos: Vaya a "Cómo usar el protector de cables para cable directo", luego a "Conexión por cable directo de 4 hilos" y después a "Requisitos de ventilación".



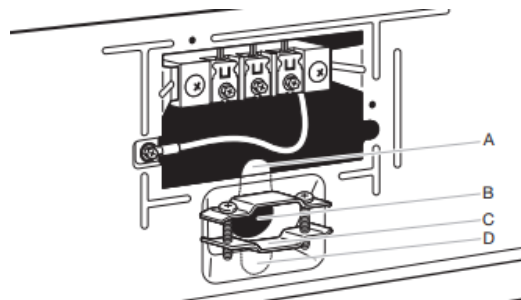
Conexión directa de 3 hilos: Vaya a "Cómo usar el protector de cables para cable directo", luego a "Conexión por cable directo de 3 hilos" y después vaya a "Requisitos de ventilación".

NOTA: Si los códigos locales no permiten la conexión de un conductor para conexión a tierra del gabinete al cable neutro, vaya a "Conexión opcional de 3 hilos". Esta conexión se puede utilizar con un cable eléctrico o un cable directo.

Conexión por cable de energía

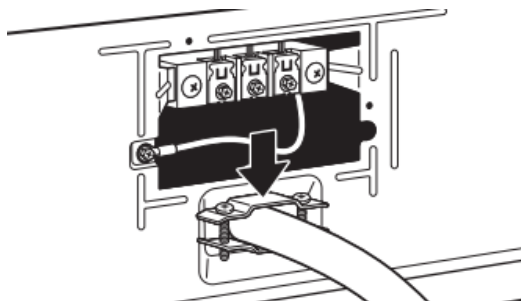
Protector del cable eléctrico

1. Sujete el protector de cables del cable eléctrico



Quite los tornillos de un protector de cables de 3/4" (19 mm) que esté en la lista de UL (con la marca UL en el protector de cables). Coloque las lengüetas de las dos secciones de la abrazadera (C) en el orificio que está debajo de la abertura del bloque de terminal (B) de manera que una lengüeta esté apuntando hacia arriba (A) y la otra esté apuntando hacia abajo (D), y sujételas en su lugar. Apriete los tornillos del protector de cables solo lo suficiente para mantener las dos secciones de la abrazadera (C) juntas.

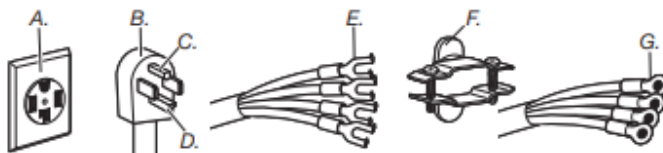
2. Sujete el cable de energía al protector de cables



Haga pasar el cable eléctrico a través del protector de cables. Asegúrese de que el aislamiento de cables del cable eléctrico esté dentro del protector de cables. El protector de cables deberá encajar de manera ajustada con el gabinete de la secadora y estar en posición horizontal. Apriete el tornillo del protector de cables contra el cable eléctrico. No apriete en exceso los tornillos del protector de cables.

Conexión de suministro eléctrico de 4 hilos

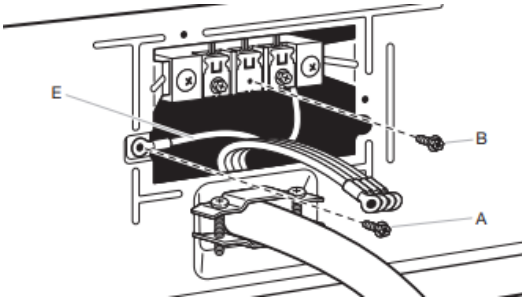
IMPORTANTE: Se necesita una conexión de 4 hilos para las casas rodantes y donde los códigos locales no permitan el uso de conexiones de 3 hilos.



A. Tomacorriente de 4 hilos (NEMA tipo 14-30R)
B. Enchufe de 4 patas
C. Pata de conexión a tierra
D. Pata neutra

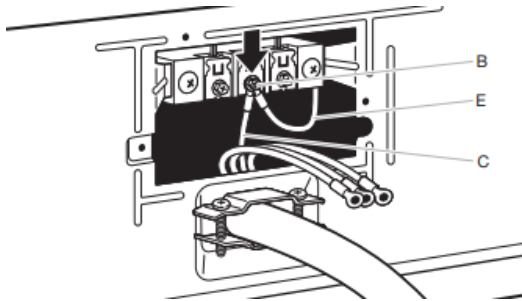
E. Terminales de horquilla con extremos hacia arriba
F. Protector de cables de 3/4" (19 mm), que esté en la lista de UL
G. Terminales de anillo

3. Prepare la instalación del aparato de cable a tierra



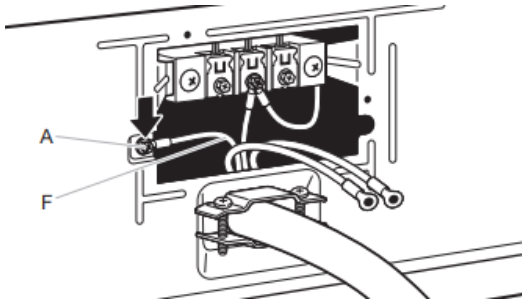
Quite el tornillo central del bloque de terminal (B). Saque el hilo neutro de enlace (E) del tornillo conductor a tierra externo verde (A).

4. Conecte el cable neutro de enlace y el cable neutro



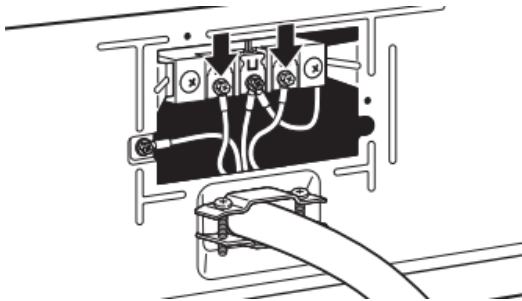
Conecte el hilo neutro de enlace (E) y el hilo neutro (hilo blanco o central) (C) del cable eléctrico debajo del tornillo central del bloque de terminal (B). Apriete el tornillo.

5. Conecte el hilo a tierra



Conecte el hilo a tierra (F) (verde o desnudo) del cable de suministro eléctrico al tornillo conductor a tierra externo verde (A). Apriete el tornillo.

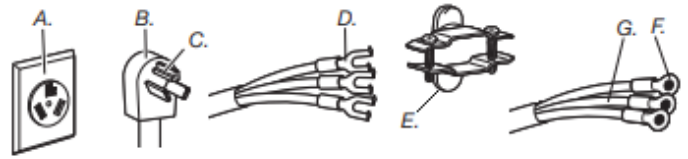
6. Conecte los cables restantes



Conecte los cables restantes bajo los tornillos externos del bloque de terminal. Apriete los tornillos. Inserte la lengüeta de la tapa del bloque de terminal dentro de la ranura del panel posterior de la secadora. Asegure la tapa con un tornillo de sujeción. Ahora vaya a "Requisitos de ventilación".

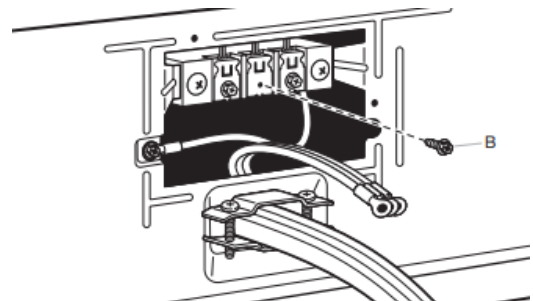
Conexión de suministro eléctrico de 3 hilos

IMPORTANTE: Úsela donde los códigos locales permitan conectar el conductor para conexión a tierra del gabinete al hilo neutro.



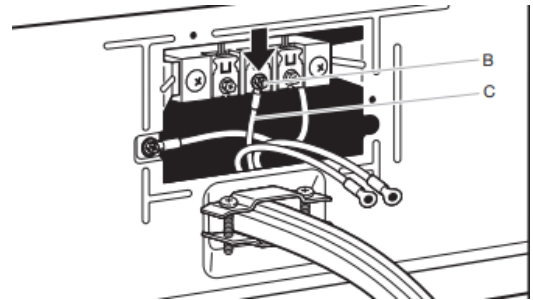
- A. Tomacorriente de 3 hilos (NEMA tipo 10-30R)
- B. Enchufe de 3 hilos
- C. Pata neutra
- D. Terminales de horquilla con extremos hacia arriba
- E. Protector de cables de 3/4" (19 mm), que esté en la lista de UL
- F. Terminales de anillo
- G. Neutro (hilo blanco o central)

3. Quite el tornillo central



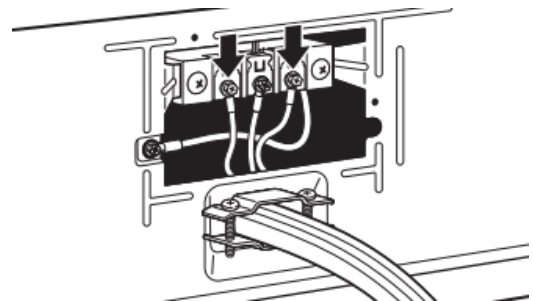
Quite el tornillo central del bloque de terminal (B).

4. Conecte el hilo neutro



Conecte el hilo neutro (hilo blanco o central) (C) del cable de suministro eléctrico bajo el tornillo central del bloque de terminal (B). Apriete el tornillo.

5. Conecte los cables restantes

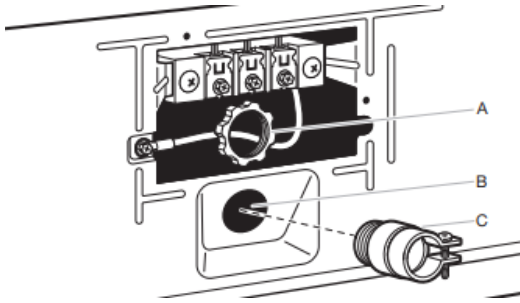


Conecte los cables restantes bajo los tornillos externos del bloque de terminal. Apriete los tornillos. Inserte la lengüeta de la tapa del bloque de terminal dentro de la ranura del panel posterior de la secadora. Asegure la tapa con un tornillo de sujeción. Ahora vaya a "Requisitos de ventilación".

Conexión por cable directo

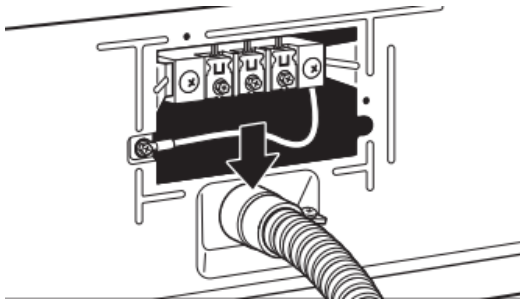
Protector de cables para cable directo

1. Sujete el protector de cables para cable directo



Desatornille el conector de conducto removible (A) y cualquier tornillo del protector de cables de 3/4" (19 mm) que esté en la lista de UL (con la marca UL en el protector de cables). Haga pasar la sección trenzada del protector de cables a través del orificio que está debajo de la abertura del bloque de terminal (B). Busque dentro de la apertura del bloque de terminal, atornille el conector del conducto removible (A) sobre las roscas del protector de cables (C) y apriételo correctamente.

2. Sujete el cable directo al protector de cables



Haga pasar el cable directo a través del protector de cables. El protector de cables deberá encajar de manera ajustada con el gabinete de la secadora y estar en posición horizontal. Apriete el tornillo del protector de cables contra el cable directo.

Para la conexión por cable directo de 4 hilos, continúe con el paso 3.



Conexión por cable directo de 4 hilos:
Vaya a "Conexión por cable directo de 4 hilos".

Para la conexión por cable directo de 3 hilos, continúe con el paso 3.

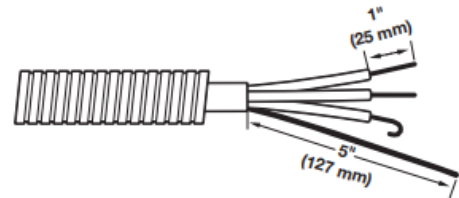


Conexión por cable directo de 3 hilos:
Vaya a "Conexión por cable directo de 3 hilos".

Conexión por cable directo de 4 hilos

IMPORTANTE: Se necesita una conexión de 4 hilos para las casas rodantes y donde los códigos locales no permitan las conexiones de 3 hilos.

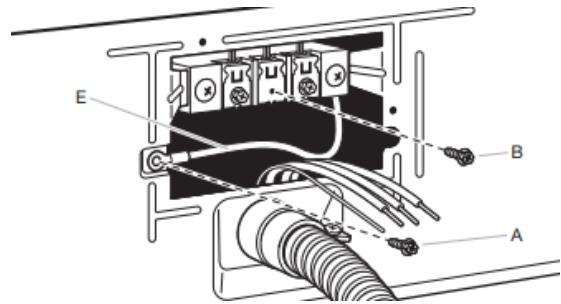
3. Prepare el cable de 4 hilos para la conexión directa



El cable del hilo directo deberá tener 5 pies (1,52 m) de largo adicional, para poder mover la secadora si es necesario.

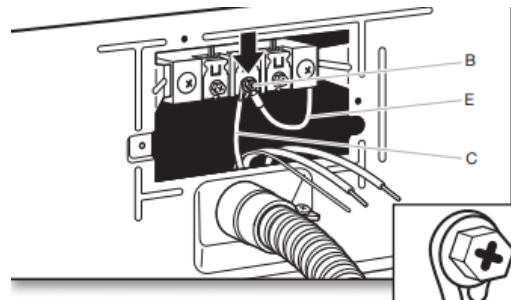
Pele 5" (127 mm) de la cubierta exterior del extremo del cable, dejando el cable a tierra desnudo a 5" (127 mm). Corte 1 1/2" (38 mm) de los 3 hilos restantes. Pele el aislamiento 1" (25 mm). Dé forma de gancho a los extremos de los alambres.

4. Prepárese para conectar el cable neutro de enlace y el cable neutro



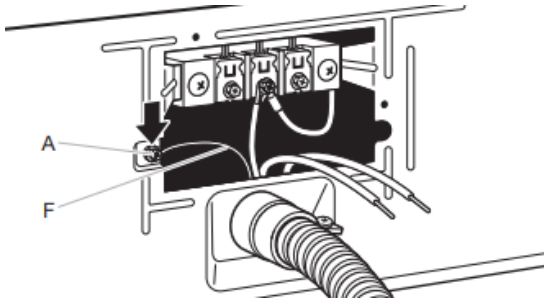
Quite el tornillo central del bloque de terminal (B). Saque el hilo neutro de enlace (E) del tornillo conductor de enlace externo verde (A).

5. Conecte el cable neutro de enlace y el cable neutro



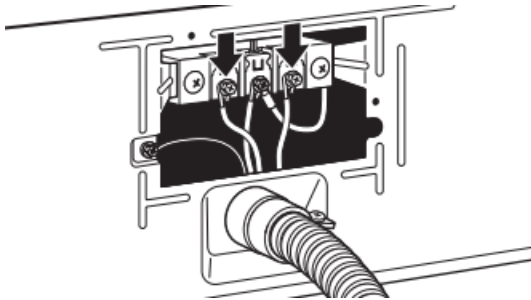
Conecte el hilo neutro de enlace (E) y coloque el extremo en forma de gancho (gancho mirando hacia la derecha) del hilo neutro (blanco o central) (C) del cable de conexión directa debajo del tornillo central del bloque de terminal (B). Apriete los extremos en forma de gancho y apriete el tornillo.

6. Conecte el hilo a tierra



Conecte el hilo a tierra (verde o desnudo) (F) del cable directo al tornillo conductor a tierra externo verde (A). Apriete el tornillo.

7. Conecte los cables restantes

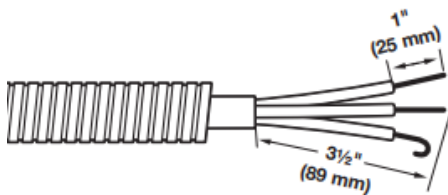


Coloque los extremos en forma de gancho de los hilos restantes del cable de conexión directa debajo de los tornillos exteriores del bloque de terminal (con los ganchos mirando hacia la derecha). Apriete los extremos en forma de gancho y apriete los tornillos. Inserte la lengüeta de la tapa del bloque de terminal dentro de la ranura del panel posterior de la secadora. Asegure la tapa con un tornillo de sujeción. Ahora vaya a "Requisitos de ventilación".

Conexión por cable directo de 3 hilos

IMPORTANTE: Úsela donde los códigos locales permitan conectar el conductor para conexión a tierra del gabinete al hilo neutro.

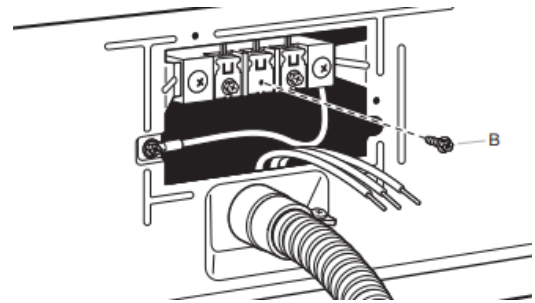
3. Prepare el cable de 3 hilos para la conexión directa



El cable del hilo directo deberá tener 5 pies (1,52 m) de largo adicional, para poder mover la secadora si es necesario.

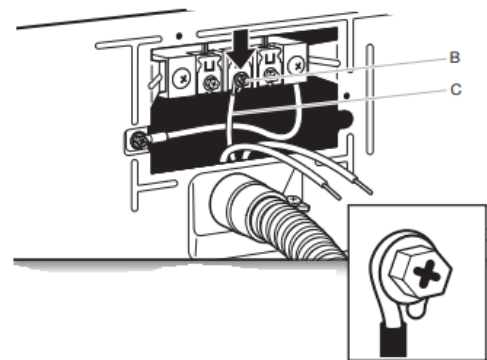
Pele $3\frac{1}{2}$ " (89 mm) de la cubierta exterior del extremo del cable. Pele el aislamiento 1" (25 mm). Si va a usar el cable de 3 hilos con cable a tierra, corte el cable desnudo alineado con la cubierta exterior. Dé forma de gancho a los extremos de los hilos.

4. Quite el tornillo central



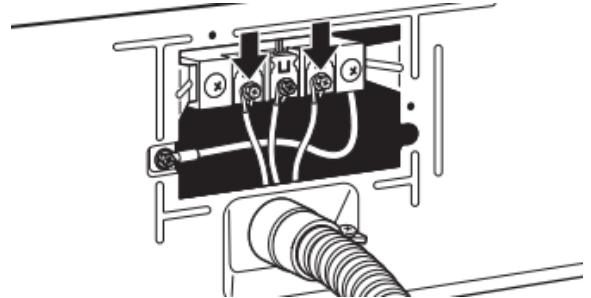
Quite el tornillo central del bloque de terminal (B).

5. Conecte el hilo neutro



Coloque el extremo en forma de gancho del hilo neutro (blanco o central) (C) del cable directo debajo del tornillo central (B) del bloque de terminal. Apriete y junte el extremo en forma de gancho. Apriete el tornillo.

6. Conecte los cables restantes

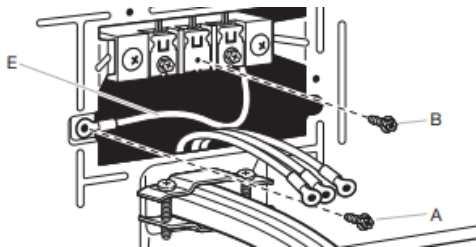


Coloque los extremos en forma de gancho de los hilos restantes del cable de conexión directa debajo de los tornillos exteriores del bloque de terminal (con los ganchos mirando hacia la derecha). Apriete el extremo en forma de gancho y apriete los tornillos. Inserte la lengüeta de la tapa del bloque de terminal dentro de la ranura del panel posterior de la secadora. Asegure la tapa con un tornillo de sujeción. Ahora vaya a "Requisitos de ventilación".

Conexión opcional para conexión de 3 hilos (se muestra el cable de alimentación)

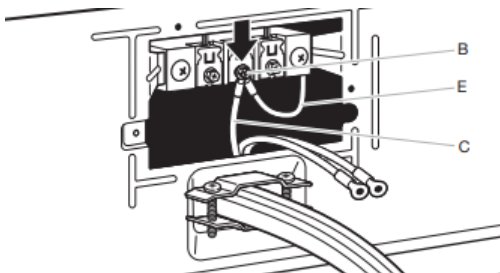
IMPORTANTE: Antes de hacer la conexión, usted deberá verificar con un electricista competente que este método de conexión a tierra sea aceptable.

1. Prepárese para conectar el cable neutro de enlace y el cable neutro



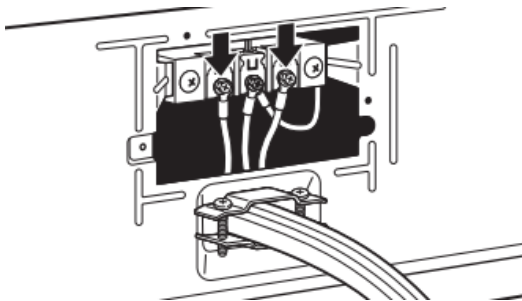
Instale el protector de cables correcto según su método de conexión eléctrica. Quite el tornillo central del bloque de terminal (B). Saque el hilo neutro de enlace (E) del tornillo conductor a tierra externo verde (A).

2. Conecte el cable neutro de enlace y el cable neutro



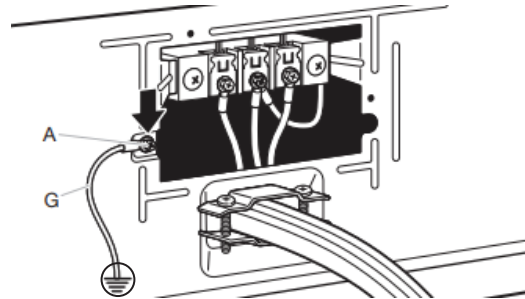
Conecte el cable neutro de enlace (E) y el cable neutro (hilo blanco o central) (C) del cable eléctrico debajo del tornillo central del bloque de terminal (B). Apriete el tornillo.

3. Conecte los cables restantes



Coloque los alambres restantes bajo los tornillos externos del bloque de terminal. Ajuste los tornillos.

4. Conecte el hilo externo a tierra



Conecte un hilo a tierra de cobre separado (G) desde el tornillo conductor a tierra verde externo (A) a una conexión a tierra adecuada. Inserte la lengüeta de la tapa del bloque de terminal dentro de la ranura del panel posterior de la secadora. Asegure la tapa con un tornillo de sujeción. Ahora vaya a "Requisitos de ventilación".

Requisitos de ventilación de la vivienda

⚠ ADVERTENCIA



Peligro de incendio

Use un ducto de escape de metal pesado.

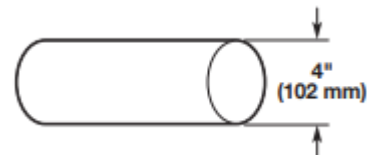
No use un ducto de escape de plástico.

No use un ducto de escape de aluminio.

No seguir estas instrucciones puede ocasionar la muerte o un incendio.

ADVERTENCIA: Para reducir el riesgo de incendio, esta secadora DEBE VENTILARSE EN EL EXTERIOR.

IMPORTANTE: Respete todas las normativas y reglamentos vigentes. El conducto de ventilación de la secadora no debe conectarse en ningún conducto de gas, chimenea, pared, techo, desván, techo falso o el espacio oculto de un edificio. Debe usarse solamente un conducto de metal rígido o flexible para la ventilación. No utilice un ducto de escape de plástico ni de aluminio.



■ Solo puede usarse un ducto de escape de metal pesado de 4" (102 mm) y abrazaderas.

■ No utilice un ducto de escape de plástico ni de aluminio.

Conducto de ventilación de metal rígido:

■ Se recomienda para un mejor rendimiento de secado y para evitar que se aplaste o se retuerza.

Ductos de escape de metal flexible (aceptables únicamente si se puede acceder a ellos para limpiar):

- Debe extenderse por completo y tener soporte en la ubicación final de la secadora.
- Quite el exceso del mismo para evitar que se doble y se retuerza, lo cual puede dar lugar a una reducción del flujo de aire y a un rendimiento insuficiente.
- No instale un conducto de ventilación de metal flexible en paredes, techos o suelos cerrados.
- La longitud total no deberá exceder los 7³/₄ pies (2,4 m).
- El largo del ducto metálico flexible que se va a utilizar debe incluirse en el diseño completo del sistema de ventilación, como se muestra en el "Cuadro del sistema de ventilación".

Sistema de ventilación de la vivienda:

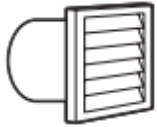
- Si utiliza un sistema de ventilación doméstico existente, limpie la pelusa de todo el sistema antes de instalar la secadora.
- Asegúrese de que las capotas de ventilación externas fuera de la vivienda no estén tapadas con pelusa u otros desechos externos.
- Reemplace los conductos de ventilación de plástico o de hoja de metal por conductos de metal rígido o de metal flexible. Revise el "Cuadro del sistema de ventilación" y, de ser necesario, modifique el sistema de ventilación existente para lograr el mejor desempeño de secado.

Capotas de ventilación:

- Una capota de ventilación debe tapar el ducto de escape para evitar el ingreso de roedores e insectos a la casa.
- Deberá estar a por lo menos 12" (305 mm) desde el piso o cualquier objeto que pueda obstruir la salida (tales como flores, rocas, arbustos o nieve).
- No use capotas de ventilación con pestillos magnéticos.

Estilos recomendados:

Estilo aceptable:



Capota tipo persiana



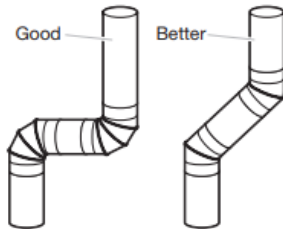
Capota tipo caja



Capota angular

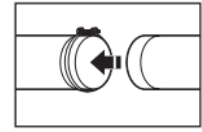
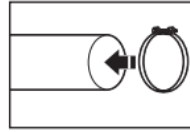
Codos:

- Los codos de 45° proveen un mejor flujo de aire que los codos de 90°.



Abrazaderas:

- Utilice abrazaderas para sellar todas las juntas.
- No debe conectarse ni asegurarse el ducto de escape con tornillos ni con ningún otro dispositivo de sujeción que se extienda hacia el interior de dicho ducto y atrape pelusa. No utilice cinta para ductos.

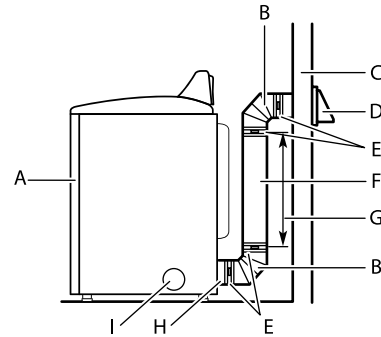


Los productos de ventilación se pueden comprar con su distribuidor. Para obtener la información de contacto o sobre pedidos, consulte la Guía de inicio rápido.

Planificación del sistema de ventilación

Instalaciones recomendadas de ventilación:

Las instalaciones típicas tienen la ventilación de la secadora en la parte posterior de la misma. Otras instalaciones son posibles.



- A. Secadora
- B. Codo
- C. Pared
- D. Capota de ventilación
- E. Abrazaderas
- F. Ducto de escape de metal rígido o flexible
- G. Longitud necesaria para conectar los codos
- H. Salida de ventilación
- I. Salida de escape lateral opcional

Instalaciones opcionales de escape:

⚠️ ADVERTENCIA



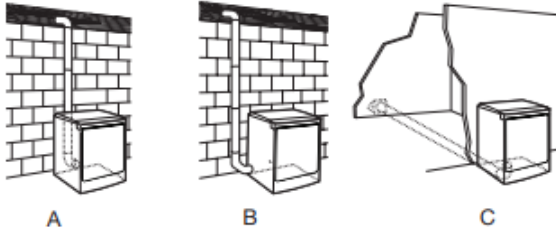
Peligro de incendio

Cubra los orificios de escape que no se utilicen con un juego de cubierta de escape del fabricante.

Comuníquese con su distribuidor local.

No seguir estas instrucciones puede ocasionar un incendio, choque eléctrico, lesiones graves o incluso la muerte.

Algunos modelos pueden convertirse para ventilarse al exterior por el lado derecho, el lado izquierdo o a través de la parte inferior. Si lo prefiere, puede ponerse en contacto con su distribuidor local para hacer convertir su secadora.

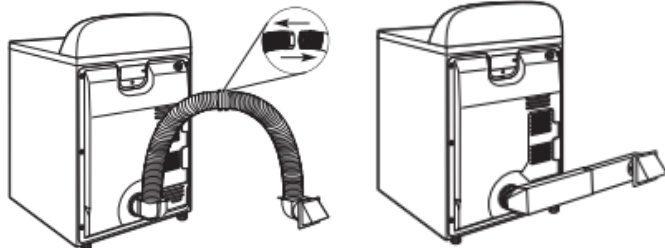


- A. *Instalación estándar con ventilación por la parte posterior y conexión indirecta*
- B. *Instalación de ducto de escape a la izquierda o a la derecha (solo disponible para modelos de 27" de ancho seleccionados).*
- C. *Instalación de ducto de escape inferior (solo disponible para modelos de 27" de ancho seleccionados).*

Instalaciones alternas para espacios angostos

Los sistemas de ventilación vienen en una amplia gama. Seleccione el tipo más apropiado para su instalación. Se ilustran dos tipos de instalación para espacios angostos.

NOTA: Pueden adquirirse los siguientes juegos para instalaciones alternativas en espacios angostos. Consulte la Guía de inicio rápido para obtener la información de contacto.



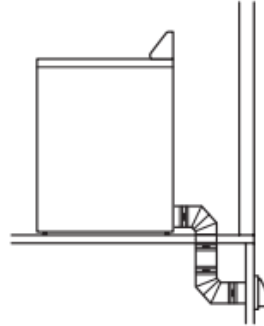
Instalación en la parte superior (también está disponible con un codo de desviación)

Instalación de periscopio

Previsiones especiales para las instalaciones en casas rodantes:

El ducto de escape deberá sujetarse firmemente en un lugar no inflamable de la casa rodante y no debe terminar debajo de la casa rodante. El ducto de escape debe terminar en el exterior.

Determinación de la vía del ducto de escape:



- Seleccione la vía que proporcione el trayecto más recto y directo al exterior.
- Planifique la instalación a fin de usar el menor número posible de codos y vueltas.
- Cuando use codos o vueltas, deje todo el espacio que sea posible.
- Doble el ducto gradualmente para evitar torceduras.
- Use la menor cantidad posible de vueltas de 90°.

Determinación de la longitud del ducto de escape y de los codos necesarios para obtener un óptimo rendimiento de secado:

- Use el "Cuadro del sistema de ventilación" a continuación para determinar las combinaciones aceptables de tipo de material para ducto y capota que se deben usar.

NOTA: No use tendidos de ducto de escape más largos que los especificados en el "Cuadro del sistema de ventilación". Los sistemas de ventilación más largos que los especificados:

- Acortarán la vida útil de la secadora.
- Reducirán el rendimiento, dando lugar a tiempos de secado más largos y un aumento en el consumo de energía.

El "Cuadro del sistema de ventilación" indica los requisitos de ventilación que le ayudarán a obtener el mejor rendimiento de secado.

Cuadro del sistema de ventilación		
Número de vueltas de 90° o codos	Tipo de ducto de ventilación	Capotas de tipo caja, persiana o angular
0	Metal rígido	64 pies (20 m)
1	Metal rígido	54 pies (16,5 m)
2	Metal rígido	44 pies (13,4 m)
3	Metal rígido	35 pies (10,7 m)
4	Metal rígido	27 pies (8,2 m)

NOTA: Las instalaciones de ventilación laterales e inferiores tienen una vuelta de 90° dentro de la secadora. Para determinar la longitud máxima de ventilación, agregue una vuelta de 90° al cuadro.

Cuadro del sistema de ventilación (modelos con ducto de ventilación ancho largo de 29" WED/WGD4985 y WED/WGD4995 únicamente)		
Número de vueltas de 90° o codos	Tipo de ducto de ventilación	Capotas de tipo caja, persiana o angular
0	Metal rígido	160 pies (48,8 m)
1	Metal rígido	150 pies (45,7 m)
2	Metal rígido	140 pies (42,7 m)
3	Metal rígido	130 pies (39,6 m)
4	Metal rígido	120 pies (36,6 m)
5	Metal rígido	110 pies (33,5 m)

NOTA: Para los sistemas de ventilación largos, el uso de cajas/capotas tipo persiana mejorará la ventilación independientemente de la longitud.

Codos adicionales

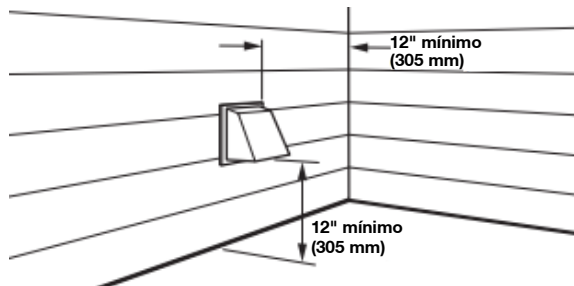
En aquellos casos donde las Instrucciones de instalación no mencionan la longitud del ducto de ventilación para la cantidad específica de codos necesarios para una aplicación en particular, se deben usar los siguientes cálculos. (La longitud total del sistema de ventilación incluye todas las secciones rectas y curvas):

- Para codos de 90°, reduzca la longitud permitida del sistema de ventilación a 10 pies (3,05 m).
- Para codos de 45°, reduzca la longitud permitida del sistema de ventilación a 6 pies (1,83 m).

Por ejemplo, si las Instrucciones de instalación establecen que una secadora tiene 40 pies (12,2 m) de longitud total de ventilación con dos curvas de 90°, la longitud total de ventilación permitida se reduciría en 20 pies (6,0 m) (de 40 pies [12,2] a 20 pies [6,0 m]).

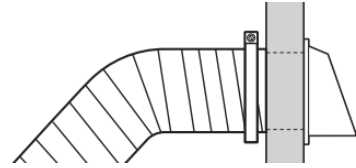
Instalación del sistema de ventilación

1. Instale la capota de ventilación



Instale la capota de ventilación y use compuesto para calafateo para sellar la abertura exterior de la pared alrededor de la capota de ventilación.

2. Conecte el ducto de escape a la capota de ventilación



El ducto de escape debe encajar sobre la capota de ventilación. Asegure el ducto de escape a la capota de ventilación con una abrazadera de 4" (102 mm). Extienda el ducto de escape a la ubicación de la secadora usando la trayectoria más recta que sea posible. Evite giros de 90°. Utilice abrazaderas para sellar todas las juntas. Para asegurar el ducto de escape, no use cinta para ductos, tornillos ni otros dispositivos de fijación que se extiendan hacia el interior de dicho ducto, ya que pueden atrapar pelusa.

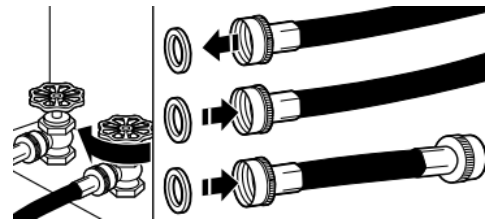
Conexión de las mangueras de entrada

Para los modelos sin vapor con ventilación vaya a "Conexión del ducto de escape". La secadora debe conectarse al grifo de agua fría usando las mangueras de entrada nuevas. No use mangueras viejas.

NOTA: Reemplace las mangueras de entrada después de 5 años de uso para reducir el riesgo de que fallen. Para consulta en el futuro, anote en las mangueras la fecha de instalación o la fecha de reposición de las mismas.

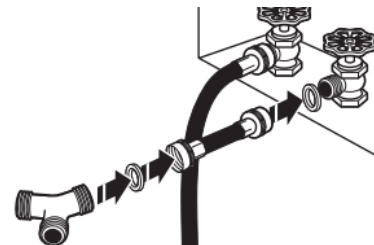
Inspeccione periódicamente y reemplace las mangueras si aparecen bultos, torceduras, cortaduras, desgaste o filtraciones de agua.

1. Cierre el grifo de agua fría, quite y reemplace la arandela de goma



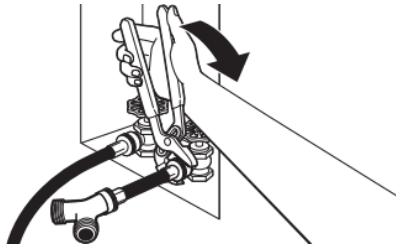
Cierre el grifo de agua fría y quite la manguera de entrada de la lavadora. Quite la arandela vieja de goma de la manguera de entrada y reemplácela por la arandela nueva de goma.

2. Sujete la manguera corta y el conector en "Y"



Fije la manguera de entrada de 2 pies (0,6 m) al grifo de agua fría. Enrosque el acoplamiento con la mano hasta que quede asentado en el grifo. Luego sujete el conector en "Y" al extremo macho de la manguera de entrada de 2 pies (0,6 m). Enrosque el acoplamiento con la mano hasta que quede asentado en el conector.

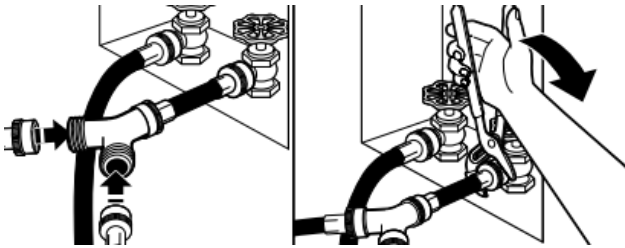
3. Apriete los acoplamientos



Con las pinzas, apriete los acoplamientos dos tercios de vuelta adicional.

NOTA: No ajuste demasiado. Se puede dañar el acoplamiento.

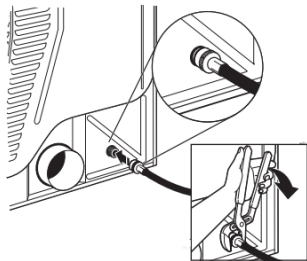
4. Conecte la manguera larga al conector en "Y" y apriete los acoplamientos



Conecte uno de los extremos de la manguera de entrada de 5 pies (1,5 m) de la secadora al conector en "Y". Fije la manguera de entrada de agua fría de la lavadora al otro lado del conector en "Y". Enrosque el acoplamiento con la mano hasta que quede asentado en el conector. Con las pinzas, apriete los acoplamientos dos tercios de vuelta adicionales.

NOTA: No ajuste demasiado. Se puede dañar el acoplamiento.

5. Sujete la manguera larga a la válvula de llenado de la secadora y apriete el acoplamiento

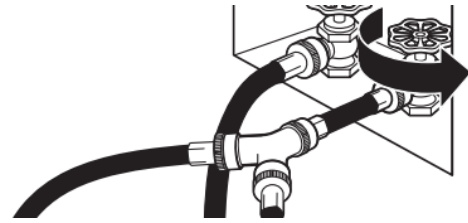


Si corresponde, retire la tapa protectora de la válvula de entrada de agua. Sujete el otro extremo de la manguera larga a la válvula de llenado en el panel posterior de la secadora. Atornille el acoplamiento con la mano hasta que quede asentado en el conector de la válvula de llenado. Con las pinzas, apriete los acoplamientos dos tercios de vuelta adicionales.

NOTA: No ajuste demasiado. Se puede dañar el acoplamiento.

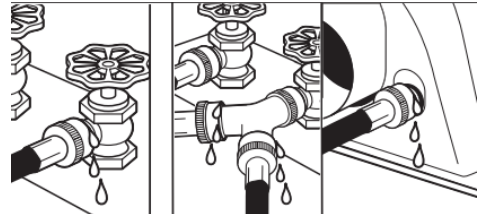
NOTA: La conexión de agua de la secadora a vapor puede estar en una ubicación diferente.

6. Abra el grifo del agua fría



Verifique que esté abierto el grifo de agua.

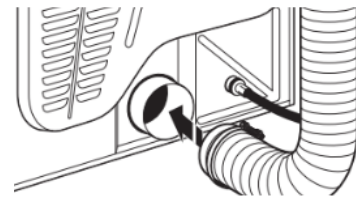
7. Revise si hay fugas



Revise si hay fugas alrededor del conector en "Y", del grifo y de las mangueras.

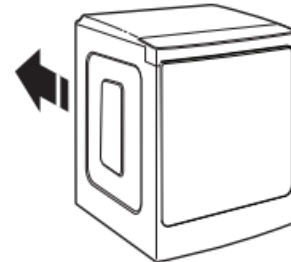
Conexión del ducto de escape (modelos con ducto de escape solamente)

1. Conecte el ducto de escape a la salida de escape



Con una abrazadera de 4" (102 mm), conecte el ducto de escape a la salida de escape en la secadora. Si se conecta a un ducto de escape existente, asegúrese de que el mismo esté limpio. El ducto de escape de la secadora debe encajar sobre la salida de escape de la secadora y dentro de la capota de ventilación. Cerciórese de que el ducto de escape esté asegurado a la capota de ventilación con una abrazadera de 4" (102 mm).

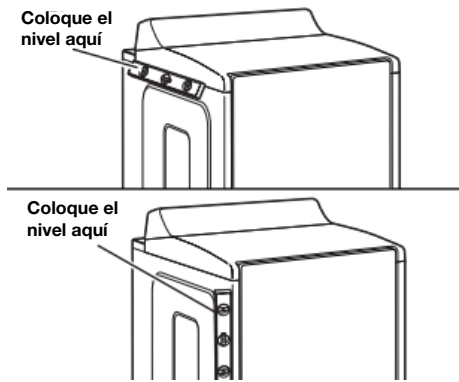
2. Traslade la secadora hacia su ubicación final



Traslade la secadora hacia su ubicación final. Evite aplastar o retorcer el ducto de escape. Una vez que la secadora se encuentre en su lugar, quite los esquinales y el cartón que están debajo de la misma.

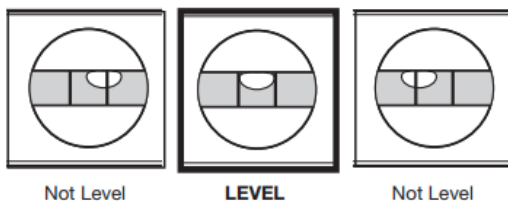
Nivele la secadora

1. Nivele la secadora

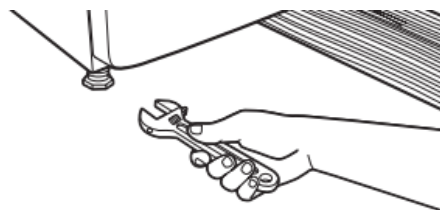


Revise la nivelación de la secadora de lado a lado. Repita el procedimiento de adelante hacia atrás.

NOTA: La secadora debe estar nivelada para que el sistema de detección de humedad funcione correctamente.



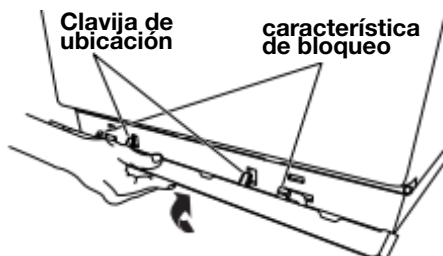
2. Regule las patas niveladoras



Si la secadora no está nivelada, apúntalela con un bloque de madera. Use una llave para regular las patas hacia arriba o hacia abajo y verifique nuevamente si la secadora está nivelada.

Una vez que se nivelada, cerciórese de que las cuatro patas estén firmes contra el piso y que la secadora no se balancee.

3. Instalar y retirar el pedestal (en algunos modelos)



Para instalar: Coloque el faldón en el fondo de la secadora y haga coincidir las clavijas de ubicación con los orificios. Presione con firmeza el faldón hacia arriba hasta que quede colocado a presión en su lugar.

Para desinstalar: En cada esquina, presione hacia abajo desde la parte superior del pedestal. Gírelo en dirección opuesta a la secadora y retírelo.

Lista de control de la instalación terminada

- Verifique que todas las piezas estén ahora instaladas. Si hay alguna pieza extra, vuelva a revisar todos los pasos para ver qué se omitió.
- Verifique que tenga todas las herramientas.
- Deseche o recicle todo el material de embalaje.
- Verifique que los grifos de agua estén abiertos.
- Revise si hay fugas alrededor del conector en "Y", del grifo y de las mangueras.
- Revise la ubicación final de la secadora. Asegúrese de que el ducto de ventilación no esté aplastado ni retorcido.
- Verifique que la secadora esté nivelada. Vea "Nivelación de la secadora".
- Quite la película que está en la consola y cualquier cinta adhesiva que haya quedado en la secadora.
- Limpie el interior del tambor de la secadora meticulosamente con un paño húmedo para quitar residuos de polvo.
- Para una instalación con cable eléctrico, enchufe en un tomacorriente con conexión a tierra. Para una instalación con cable directo, encienda el suministro de energía.
- Si usted vive en una zona donde hay agua dura, se recomienda usar ablandador de agua para controlar la acumulación de sarro en el sistema de agua de la secadora. Conforme pasa el tiempo, la acumulación de depósitos calcáreos puede obstruir diferentes partes del sistema de agua, lo cual reducirá el rendimiento del producto. La acumulación excesiva de sarro puede ocasionar la necesidad de reemplazar o reparar ciertas piezas.
- Para cambiar el sentido de apertura de la puerta de derecha a izquierda, consulte las "Instrucciones para invertir el sentido de apertura de la puerta de la secadora" para obtener más detalles.
- Ajuste el ciclo de calor durante 20 minutos y ponga en marcha la secadora. No seleccione el ajuste de temperatura Air Only (Solo aire).

Si la secadora no funciona, revise lo siguiente:

- Que los controles estén fijados en una posición de funcionamiento u ON (Encendido).
- Que se haya presionado con firmeza el botón de puesta en marcha.
- Que la secadora esté enchufada en un tomacorriente y/o a un suministro de energía eléctrica.
- Que el fusible de la casa esté intacto y ajustado, o que no se haya disparado el disyuntor.
- Que la puerta de la secadora esté cerrada.
- Cuando la secadora haya estado funcionando por 5 minutos, abra la puerta y sienta si hay calor. Si siente calor, cancele el ciclo y cierre la puerta.

Si no siente el calor, apague la secadora y revise lo siguiente:

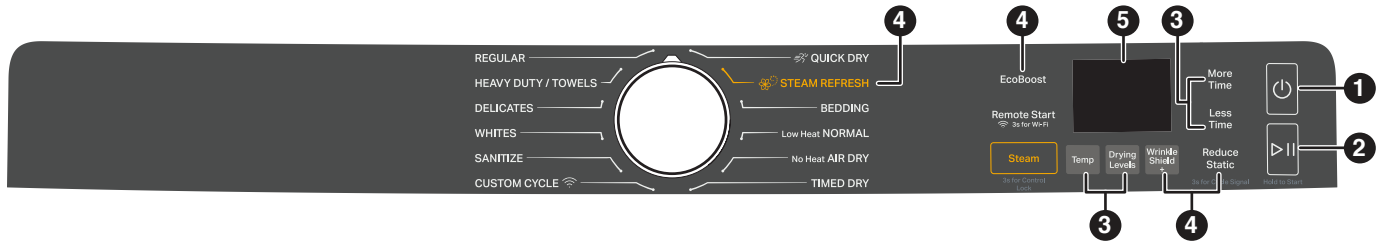
- Posible que haya 2 fusibles o cortacircuitos domésticos para la secadora. Asegúrese de que ambos fusibles estén intactos y ajustados, o de que ningún disyuntor se haya disparado. Si aun así no siente calor, contacte a un técnico calificado.

NOTA: Podrá notar un olor cuando la secadora se calienta por primera vez. Este olor es común cuando se usa por primera vez el elemento calefactor. El olor desaparecerá.

Si en la pantalla Airflow (Flujo de aire) aparece el mensaje "Check vent" (Revisar ducto de ventilación), el ducto de escape de la secadora puede estar prensado o bloqueado.

GUÍA DE INICIO RÁPIDO

PANEL DE CONTROL Y FUNCIONES



No todas las características, ciclos y opciones están disponibles en todos los modelos. El aspecto puede variar.

NOTA: El panel de control tiene una superficie sensible que responde al toque ligero de los dedos. Para cerciorarse de que se hayan registrado sus selecciones, toque el panel de control con la punta del dedo, no con la uña. Al seleccionar un ajuste o una opción, simplemente toque el nombre.

Descripciones de los botones

1. POWER/CANCEL (ENCENDIDO/CANCELAR)

Toque para encender y apagar la secadora. Toque para detener/cancelar un ciclo en cualquier momento.

2. START/PAUSE (INICIO/PAUSA)

Mantenga presionado hasta que aparezca una cuenta regresiva “3-2-1” en el LED y la secadora se ponga en funcionamiento; luego suelte para comenzar un ciclo, o toque una vez mientras un ciclo esté en funcionamiento para pausarlo.

3. MODIFICADORES

Use estos botones para seleccionar los modificadores disponibles para la secadora. No todos los ciclos ni las opciones están disponibles en todos los modelos. Consulte la “Guía de ciclos” en línea para obtener detalles.

Temp (Temperatura)

Cuando use Timed Dry/Quick Cycle (Secado programado/Ciclo rápido), puede seleccionar una temperatura de secado según el tipo de carga que va a secar. Use el ajuste más caliente que sea aceptable para las prendas de la carga. Siga las instrucciones de la etiqueta de las prendas.

NOTA: Los ciclos automáticos le darán hasta 4 temperaturas para ajustar, dependiendo de las selecciones que se hayan realizado.

Dry Levels (Niveles de secado)

Puede ajustar el nivel de secado para ciclos automáticos (excepto para el ciclo Sanitize [Higienizar]), si lo desea.

NOTA: El nivel de secado solo se utiliza con los ciclos automáticos.

More Time/Less Time (Más tiempo/Menos tiempo)

Toque More Time (Más tiempo) o Less Time (Menos tiempo) con los ciclos Timed Dry/Quick Dry (Secado programado/Secado rápido) para aumentar o reducir la duración del ciclo.

4. OPCIONES

Use estos botones para seleccionar las opciones disponibles para la secadora. No todos los ciclos ni las opciones están disponibles en todos los modelos.

Opción Wrinkle Shield™ (Protección contra arrugas)

Si no puede sacar una carga de inmediato, toque Wrinkle Shield™ (Protección contra arrugas) para agregar hasta 150 minutos de rotación periódica a fin de reducir la formación de arrugas. Puede seleccionar el ajuste “+ Steam” (+ Vapor, para algunos modelos solamente) para agregar un ciclo breve de vapor después de 60 minutos para ayudar a alisar las arrugas.

NOTA: Si abre la puerta de la secadora antes del final de la opción Wrinkle Shield™ (Protección contra arrugas), la secadora se detendrá.

Steam Refresh (Revitalizado con vapor) (modelos con vapor únicamente)

Este ciclo es ideal para reducir las arrugas y los olores de las prendas secas. El tiempo del ciclo se incrementará según la cantidad de prendas. Este es un ciclo independiente que no se puede combinar con ningún otro ciclo.

Cycle Signal (Señal de ciclo)

Use para ajustar la señal que indica el término de un ciclo de secado a bajo, medio, alto o desactivado. El volumen que seleccione aquí también se aplicaría a la señal Damp Dry (Seco húmedo).

NOTA: También puede desactivar los tonos que suenan al tocar una función, un ajuste o una opción. Mantenga presionado Cycle Signal (Señal de ciclo) durante 3 segundos aproximadamente para ajustar los sonidos a bajo, medio, alto o desactivado.

Damp Dry Signal (Señal de semiseco)

Toque para seleccionar que Damp Dry Signal (Señal de semiseco) se encienda o se apague. Cuando esté seleccionada, sonarán una serie de pitidos cuando la carga esté húmeda, pero no completamente seca. Esto permitirá retirar las prendas que no necesitan secarse por completo. Damp Dry Signal (Señal de semiseco) se selecciona de manera predeterminada para los ciclos Bedding (Artículos de cama), como recordatorio para cambiar manualmente la posición de las cargas voluminosas en la mitad del ciclo. Esta opción no está disponible para todos los ciclos. Consulte la “Guía de ciclos” en línea para obtener detalles.

Reduce Static (Reducción de estática) (para algunos modelos)

Toque para agregar esta opción a los ciclos automáticos seleccionados. La secadora girará, hará una pausa e introducirá una pequeña cantidad de humedad en la carga de forma automática para ayudar a reducir la estática. Esta opción agrega 3 minutos aproximadamente al tiempo total del ciclo.

Control Lock (Bloqueo de controles)

Use esta opción para bloquear los controles de la secadora y evitar un cambio accidental en las opciones de ciclo o las preferencias durante un ciclo de secado. Mantenga presionado Control Lock (Bloqueo de controles) o Damp Dry Signal (Señal de semiseco), según el modelo, durante 3 segundos para bloquear o desbloquear los controles de la secadora. Durante este tiempo, la pantalla LED hará una cuenta regresiva de "3-2-1". Cuando se bloqueen los controles, la pantalla LED mostrará "Loc".

NOTA: La función Control Lock (Bloqueo de controles) puede estar habilitada cuando la secadora se recupere de un corte de corriente. Para desbloquear el control, mantenga presionado Control Lock (Bloqueo de controles) o Damp Dry Signal (Señal de semiseco) según el modelo, durante al menos 3 segundos.

Opción EcoBoost™ (Refuerzo eco)

La opción EcoBoost™ (Refuerzo eco) se activará de manera predeterminada únicamente para el ciclo Low Heat Normal (Calor bajo normal) y solo está disponible en dicho ciclo. Esta opción le permite aumentar su ahorro de energía usando un nivel de secado ligeramente más bajo. La opción EcoBoost™ (Refuerzo eco) aumentará el tiempo de secado aproximadamente 40 minutos, lo que se reflejará en la pantalla LED. Si desea un tiempo óptimo, presione EcoBoost (Refuerzo eco) para apagar esta opción.

5. PANTALLA LED

Cuando selecciona un ciclo, se iluminarán sus ajustes predeterminados y el tiempo restante estimado (para ciclos automáticos) variará según las selecciones o se mostrará el tiempo real restante para los ciclos de secado programado (para ciclos manuales).

CYCLE STATUS (ESTADO DEL CICLO)

Los indicadores de Cycle Status (Estado del ciclo) muestran el progreso de un ciclo. No todos los indicadores están disponibles en todos los modelos.

Sensing (Detección)

El indicador de Sensing (Detección) se encenderá periódicamente durante los ciclos con sensor para indicar que está funcionando el sensor de humedad en la secadora. Este indicador no se encenderá durante los ciclos programados u opciones tales como Wrinkle Shield™ (Protección contra arrugas).

WiFi Connect (Conexión WiFi)

Toque y mantenga presionado WiFi Connect (Conexión WiFi) por 3 segundos durante la conexión inicial de la secadora a la red Wi-Fi de su casa. Si la secadora está en Smart Delay (Retraso inteligente), toque WiFi Connect (Conexión WiFi) para cancelar el retraso y comenzar un ciclo de secado de inmediato.

Activación remota

Toque el botón Remote Enable (Activación remota) cada vez que desee usar la aplicación de activación por WiFi. Al presionar el botón, se bloqueará la pantalla LCD y verá un mensaje que dirá que la secadora está esperando indicaciones de la aplicación. Para salir de este modo, vuelva a presionar el botón Remote Enable (Activación remota).

Wet (Mojado)

La carga todavía está mojada y/o recién ha comenzado el ciclo.

Damp (Húmedo)

Este indicador muestra que la carga está parcialmente seca y que pueden sacarse las prendas que desee colgar o planchar mientras están húmedas.

Cool Down (Enfriamiento)

La secadora ha terminado de secar con calor y ahora está dando vueltas sin calor a la carga para enfriarla y reducir las arrugas.

Check Vent (Revisar ducto de ventilación)

La funcionalidad del indicador de Check Vent (Revisar ducto de ventilación) está disponible solamente para los ciclos automáticos. Este indicador mostrará el estado del flujo de aire a través de la secadora y el sistema de ventilación para la vida útil de la secadora. Durante la fase de detección al comienzo del ciclo, la luz de Check Vent (Revisar ducto de ventilación) se encenderá si se ha detectado un problema de obstrucción en el ducto de ventilación o de bajo flujo de aire. Este indicador se iluminará durante todo el ciclo. Si se ilumina Check Vent (Revisar ducto de ventilación), consulte la sección en línea de resolución de problemas para ver las posibles soluciones para el problema. La luz se apagará al completar el ciclo, cuando presione Power (Encendido) o cuando abra la puerta. La luz Check Vent (Revisar ducto de ventilación) seguirá prendida durante el ciclo, a menos que se resuelva la causa de fondo.

NOTA: La secadora seguirá funcionando incluso cuando el indicador esté encendido, pero un mal flujo de aire puede impactar los tiempos de secado y el rendimiento en general. Consulte "Revise que el sistema de ventilación tenga un buen flujo de aire" en el Manual del propietario.

NOTA: Si hay otros problemas de error durante un ciclo, no se encenderá el indicador Check Vent (Revisar ducto de ventilación). Consulte la sección "Solución de problemas" en línea.

END (FIN)

Esto indicará que se ha terminado el ciclo seleccionado y que se puede retirar la carga de la secadora. Si se ha seleccionado la opción Wrinkle Shield™ (Protección contra arrugas), es posible que la secadora siga haciendo girar la carga, aun si se muestra "End" (Fin).

Control Lock (Bloqueo de controles)

Se iluminará cuando los controles estén bloqueados.

INSTRUCCIONES DE FUNCIONAMIENTO

⚠️ ADVERTENCIA



Peligro de incendio

Ninguna lavadora puede eliminar completamente el aceite.

No seque ninguna prenda que haya tenido algún tipo de aceite en ella (incluyendo aceites de cocina).

Las prendas que contengan espuma, goma o plástico deben secarse en un tendedero o utilizando un ciclo de aire.

No seguir estas instrucciones puede ocasionar la muerte o incendios.

⚠️ ADVERTENCIA



Peligro de explosión

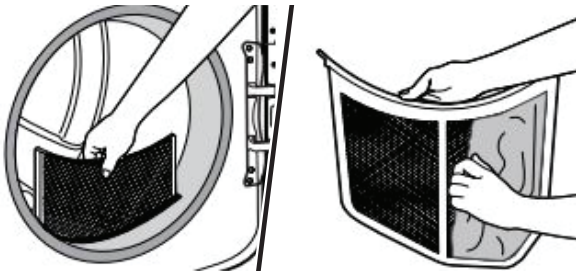
Mantenga los materiales y vapores inflamables, tales como la gasolina, alejados de la secadora.

No seque ninguna prenda que haya tenido alguna vez cualquier sustancia inflamable (aún después de lavarla).

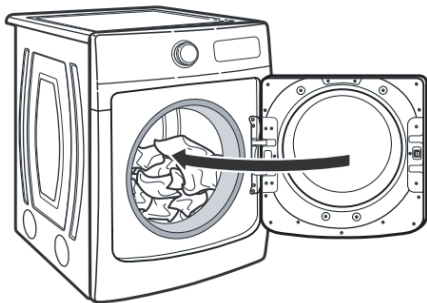
No seguir estas instrucciones puede ocasionar la muerte, explosión o incendios.

ADVERTENCIA: A fin de reducir el riesgo de incendio, choque eléctrico o lesiones personales, lea las INSTRUCCIONES IMPORTANTES DE SEGURIDAD que se encuentran en el Manual del propietario, antes de usar el electrodoméstico.

1. Limpiar el filtro de pelusa



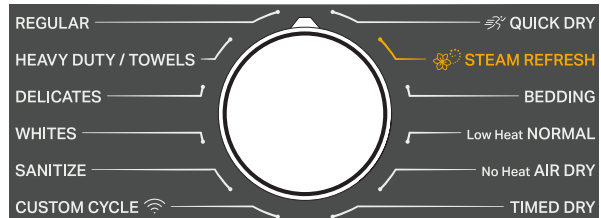
2. Cargar la ropa y cerrar la puerta



3. Power On/Cancel (Encendido/Cancelar)



4. Seleccione el ciclo y los ajustes



5. Presione Start/Pause (Inicio/Pausa)



Información de pedidos en línea

Para obtener información de mantenimiento e instrucciones de instalación, almacenamiento en invierno, y consejos para el traslado, consulte el Manual del propietario que se incluye con su máquina.

Para obtener información acerca de cualquiera de los siguientes artículos, la guía completa de ciclos, dimensiones detalladas de los productos o instrucciones de uso completas, visite www.whirlpool.com/owners, o en Canadá www.whirlpool.ca/owners. Esto le podría ahorrar el costo de una llamada al servicio técnico.



REGISTER PRODUCT



ADD SERVICE PLAN



MANUALS & DOWNLOADS



SCHEDULE SERVICE



TROUBLESHOOTING & FAQ



FILTERS



REPLACEMENT PARTS



REBATES & PROMOS

Sin embargo, si necesita comunicarse con nosotros, use la información a continuación para ver la región adecuada.

Estados Unidos:
1-866-698-2538

Whirlpool Brand Home Appliances
Customer eXperience Center
553 Benson Road
Benton Harbor, MI 49022-2692

Canadá:
1-800-807-6777

Whirlpool Brand Home Appliances
Customer eXperience Centre
200-6750 Century Ave.
Mississauga, Ontario L5N 0B7

IMPORTANTE: Conserve esta guía para su uso en el futuro.

GUÍA DE CICLOS

Esta secadora tiene una interfaz de usuario exclusiva para ayudarle a seleccionar el mejor ciclo requerido para la carga. El diseño de los controles lo guía hacia el ciclo óptimo en dos sencillos pasos: Primero determine qué artículos hay en la carga para secar. Use esto para guiar su selección. Luego determine cómo quiere que la secadora los seque y elija la selección adecuada. Los modificadores están preestablecidos para los elementos que se secan, pero se pueden cambiar, si así lo desea.

Para obtener el máximo ahorro de energía y un mejor cuidado de las telas con la secadora, use ciclos automáticos. Estos ciclos miden la temperatura del aire de secado y el nivel de humedad para apagar la secadora una vez que la carga alcanza el nivel de sequedad seleccionado. El desempeño de la secadora y los resultados pueden variar con un voltaje de servicio inferior a 240.

Artículos para secar	Ciclo	Nivel de sequedad	Temperatura	Opciones disponibles	Detalles del ciclo
Camisas, blusas, prendas de planchado permanente, prendas sintéticas y artículos de peso ligero	Regular (Común)	Less (Menos) Normal (Normal) More (Más)	Low (Baja) Medium (Medio) High (Alta)	Wrinkle Shield (Protección contra arrugas) Steam (Vapor) Reduce Static (Reducción de estática) Ecoboost (Refuerzo eco)	Usa una temperatura Medium (Media) para secar cargas grandes de telas y artículos mixtos. El ciclo Normal (Normal) es el más eficiente.
Ropa interior, blusas, lencería y ropa resistente	Delicates (Ropa delicada)	Less (Menos) Normal (Normal) More (Más)	Low (Baja) Medium (Medio) High (Alta)	Wrinkle Shield (Protección contra arrugas) Reduce Static (Reducción de estática)	Usa una temperatura Low (Baja) para secar con suavidad las prendas delicadas.
Artículos pesados como toallas o ropa de trabajo pesada	Heavy Duty/ Towels (Intenso/ Toallas)	Less (Menos) Normal (Normal) More (Más)	Low (Baja) Medium (Medio) High (Alta)	Wrinkle Shield (Protección contra arrugas) Steam (Vapor) Reduce Static (Reducción de estática)	Utiliza calor alto para secar grandes cargas de artículos pesados y resistentes.
Prendas blancas y resistentes	Whites (Ropa blanca)	Less (Menos) Normal (Normal) More (Más)	Low (Baja) Medium (Medio) High (Alta)	Wrinkle Shield (Protección contra arrugas) Steam (Vapor) Reduce Static (Reducción de estática)	Usa una temperatura High (Alta) para secar cargas de artículos y telas blancas y resistentes.
Sábanas, fundas de almohada, mantas	Bedding (Artículos de cama)	Less (Menos) Normal (Normal) More (Más)	Low (Baja) Medium (Medio) High (Alta)	Wrinkle Shield (Protección contra arrugas) Steam (Vapor) Reduce Static (Reducción de estática)	Seca usando Medium heat (Calor medio).
Ciclo personalizado	Custom Cycle (Ciclo personalizado)	N/D	N/D	N/D	Cree ciclos personalizados en solo unos pocos pasos para ciclos de uso común.

Artículos para secar	Ciclo	Nivel de sequedad	Temperatura	Opciones disponibles	Detalles del ciclo
Cargas pequeñas y ropa deportiva	Quick Dry (Secado rápido)	N/D	Low (Baja) Medium (Medio) High (Alta)	Wrinkle Shield (Protección contra arrugas)	Para cargas pequeñas de 3 a 4 artículos.
Camisas, blusas y pantalones	Steam Refresh (Revitalizado con vapor)	N/D	High (Alta)	Wrinkle Shield (Protección contra arrugas)	Úselo para alisar las arrugas y reducir los olores de cargas que se dejaron en la secadora mucho tiempo. NO agregue hojas de suavizante para secadora.
Cargas grandes de artículos pesados	Sanitize (Higienizar)	More (Más)	High (Alta)	Wrinkle Shield (Protección contra arrugas)	Este es un ciclo largo con temperatura High (Alta) que se ha demostrado que reduce las bacterias del hogar. No es recomendable para todas las telas. Úselo para cargas grandes de telas pesadas.
Sábanas, blusas, vestidos, ropa interior, telas de planchado permanente y algunos tejidos de punto	Low Heat Normal (Calor bajo normal)	Less (Menos) Normal (Normal) More (Más)	Low (Baja) Medium (Medio) High (Alta)	Wrinkle Shield (Protección contra arrugas)	Utiliza una temperatura más baja para secar telas sensibles al calor.
Gomaespuma, goma, plástico, otras telas sensibles al calor	No Heat Air Dry (Sin calor secado por aire)	N/D	N/D	Wrinkle Shield (Protección contra arrugas)	Utiliza aire sin calentar para secar artículos sensibles al calor.
Cualquier carga Nota: Seleccione Air (Aire) para secar espuma, caucho, plástico o telas sensibles al calor.	Timed Dry (Secado programado)	N/D	Low (Baja) Medium (Medio) High (Alta)	Wrinkle Shield (Protección contra arrugas)	Use para secar las prendas hasta dejarlas húmedas o para prendas que no necesitan un ciclo completo de secado. Seleccione una temperatura de secado según el tipo de telas de su carga. Si no está seguro de la temperatura que debe seleccionar para una carga, seleccione el ajuste más bajo en lugar del ajuste más alto.

NOTA: Las certificaciones energéticas gubernamentales de estas secadoras de ropa se basaron en el ciclo Low Heat Normal (Calor bajo normal), EcoBoost (Refuerzo eco) activado de manera predeterminada, Highest Temperature (Temperatura más alta) y Normal Dryness Level (Nivel de sequedad normal). Se usaron los valores predeterminados de envío de Low Heat Normal (Calor bajo normal), EcoBoost (Refuerzo eco) activado, Medium Temperature (Temperatura media) y Wrinkle Shield (Protección contra arrugas) desactivado. Los ciclos que no están disponibles para la descarga postventa pueden usar más energía que el ciclo Low Heat Normal (Calor bajo normal), en el que se basa la clasificación de uso de energía de esta secadora.

SOLUCIÓN DE PROBLEMAS

Si experimenta lo siguiente	Causas posibles	Solución
Funcionamiento de la secadora		
La secadora no funciona	La puerta no está cerrada por completo.	Cerciórese de que la puerta de la secadora esté bien cerrada.
	START/PAUSE (INICIO/PAUSA) no tocado con la yema del dedo.	Toque y mantenga presionado START/PAUSE (INICIO/PAUSA) con la yema del dedo.
	Hay un fusible de la casa fundido o se disparó el disyuntor.	Es posible que haya dos fusibles o disyuntores domésticos para la secadora. Asegúrese de que ambos fusibles estén intactos y ajustados, o de que ningún disyuntor se haya disparado. Reemplace los fusibles o reposicione el disyuntor. Si el problema continúa, llame a un electricista.
	Suministro eléctrico incorrecto.	Las secadoras eléctricas requieren un suministro eléctrico de 240 V. Verifique con un electricista competente.
	Tipo de fusible equivocado.	Use un fusible retardador.
La secadora no se apaga	La puerta de la secadora se abrió antes de que finalizara la opción Wrinkle Prevent (Prevención de arrugas).	Si se abre la puerta de la secadora antes de que finalice la opción Wrinkle Prevent (Prevención de arrugas), la secadora entrará en modo de pausa. Deberá tocar Power (Encendido) para apagar o Start/Pause (Inicio/Pausa) para continuar con la opción Wrinkle Prevent (Prevención de arrugas).
La secadora no calienta	Hay un fusible de la casa fundido o se disparó el disyuntor.	El tambor quizás rote, pero sin calor. Las secadoras eléctricas utilizan dos fusibles o disyuntores domésticos. Reemplace los fusibles o reposicione el disyuntor. Si el problema continúa, llame a un electricista.
	Suministro eléctrico incorrecto.	Las secadoras eléctricas requieren un suministro eléctrico de 240 V. Verifique con un electricista competente.
	Válvula de la línea de suministro cerrada.	Para las secadoras a gas, cerciórese de que esté abierta la válvula de suministro de gas.
Ruidos poco comunes		
Golpeteo	No se ha usado la secadora durante un tiempo.	Esto es normal. El sonido de golpeteo deberá disminuir después de unos pocos minutos de uso.
Ruido de traqueteo o vibraciones	Hay un objeto pequeño atrapado entre los bordes del tambor de la secadora.	Revise los bordes frontales y posteriores del tambor en busca de objetos pequeños. Vacíe los bolsillos antes del lavado.
	La secadora no está nivelada correctamente.	La secadora puede vibrar si no está instalada adecuadamente. Vea las Instrucciones de instalación. Las cuatro patas de la secadora deben estar firmemente apoyadas en el piso.
	La ropa se ha hecho un ovillo en la secadora.	Si la carga está hecha un ovillo, rebotará y hará vibrar la secadora. Separe los artículos de la carga y reinicie la secadora.
Chasquido	Funcionamiento de la válvula de gas.	En las secadoras a gas, es posible que escuche el chasquido de la válvula de gas cuando se abre y se cierra. Esto es normal.
Resultados de la secadora		
Los tiempos de secado son demasiado largos y las prendas no se secan	Filtro de pelusa obstruido con pelusa.	Limpie el filtro de pelusa antes de cada carga.
	La opción Eco Dry (Secado ecológico) está activada.	Para tiempos de secado óptimos, desactive la opción Eco Dry (Secado ecológico).
	Está obstruido con pelusa el ducto de escape o la capota de ventilación exterior, restringiendo el flujo del aire.	Ponga a funcionar la secadora unos 5 a 10 minutos. Coloque la mano debajo de la campana de ventilación exterior para verificar el movimiento del aire. Si no lo siente, limpie la pelusa del sistema de ventilación o reemplace el ducto de escape con uno de metal pesado o de metal flexible. Vea las Instrucciones de instalación.

Si experimenta lo siguiente	Causas posibles	Solución
Resultados de la secadora (Cont.)		
Los tiempos de secado son demasiado largos y las prendas no se secan (Cont.)	El ducto de escape no tiene el largo correcto.	Revise el ducto de ventilación para verificar que no sea demasiado largo ni dé demasiadas vueltas. Una ventilación con un ducto largo aumentará el tiempo de secado. Vea las Instrucciones de instalación.
	El diámetro del ducto de escape no es del tamaño correcto.	Use un material para ductos de 4" (102 mm) de diámetro.
	La secadora no está nivelada.	Las prendas no hacen contacto con los sensores de humedad durante los ciclos con sensor. Consulte "Nivelación de la secadora" en las Instrucciones de instalación.
	La carga es demasiado grande y pesada para secarse con rapidez.	Separe la carga de modo que pueda rotar libremente.
	Las hojas del suavizante de telas están bloqueando la rejilla.	La rejilla de salida de aire está justo dentro de la puerta, detrás del filtro de pelusa. Revise que no esté bloqueada por una hoja de suavizante para telas. Use únicamente una hoja de suavizante para telas y úsela una sola vez.
	La secadora está ubicada en una habitación con una temperatura inferior 45 °F (7 °C).	El funcionamiento apropiado de los ciclos de la secadora requiere temperaturas superiores a 45 °F (7 °C).
	La secadora está ubicada en un armario.	Las puertas del armario deben tener aberturas de ventilación en la parte superior e inferior de la puerta. La parte frontal de la secadora necesita un mínimo de 1" (25 mm) de espacio libre y, para la mayoría de las instalaciones, la parte posterior necesita 5" (127 mm). Vea las Instrucciones de instalación.
El tiempo del ciclo es demasiado corto	Puede ser que la carga no esté haciendo contacto con las bandas del sensor durante los Sensor Cycles (Ciclos con sensor).	Nivele la secadora. Vea las Instrucciones de instalación. Las cuatro patas de la secadora deben estar firmemente apoyadas en el piso.
	El ciclo con sensor termina antes de tiempo.	Cambie el ajuste del nivel de sequedad en los Sensor Cycles (Ciclos con sensor). Aumentar o disminuir el nivel de sequedad cambiará la duración del secado en un ciclo.
Pelusa en la carga	Filtro de pelusa obstruido con pelusa.	Limpie el filtro de pelusa antes de cada carga.
Manchas en la ropa	Uso incorrecto del suavizante de telas.	Agregue hojas de suavizante de telas para secadora al comienzo del ciclo. Las hojas de suavizante para telas que se agregan a una carga parcialmente seca pueden manchar las prendas.
Manchas en el tambor	Prendas que destiñen.	Las manchas en el tambor son causadas por los tintes en las prendas (habitualmente los jeans). Esas manchas no se transferirán a otras prendas.
Las cargas están arrugadas	No se quitó la carga de la secadora al terminar el ciclo.	NOTA: Consulte las instrucciones en la etiqueta de cuidado de las prendas. No se recomienda para las prendas que se lavan en seco solamente.
	La secadora se cargó demasiado.	Seque cargas menos voluminosas que puedan rotar con libertad. Los resultados también pueden variar según el tipo de tela.
Olores	Ha estado pintando, tiñendo o barnizando recientemente en el área donde se encuentra la secadora.	Ventile el área. Cuando los olores y las emanaciones se hayan disipado del área, vuelva a lavar la ropa y luego séquela.
	La secadora eléctrica se está usando por primera vez.	El nuevo elemento calefactor eléctrico puede emitir un olor. El olor desaparecerá después del primer ciclo.

Si experimenta lo siguiente	Causas posibles	Solución
Resultados de la secadora (Cont.)		
La carga está demasiado caliente	Se ha sacado la carga antes de que se completara la etapa de enfriamiento del ciclo.	Deje que la secadora termine la etapa de enfriamiento del ciclo antes de sacar la carga.
	Está usando un ciclo Timed Dry (Secado programado) con un ajuste de temperatura alta.	Seleccione un ciclo con sensor con un ajuste de calor más bajo para evitar secar la carga en exceso.
La secadora muestra un mensaje de código o hay un indicador iluminado		
"PF" (corte de corriente)	Se ha interrumpido el ciclo de secado debido a un corte de corriente.	Mantenga presionado START (INICIO) para reiniciar el ciclo de secadora o toque POWER (ENCENDIDO) para borrar la pantalla.
Código de diagnóstico "L2" (problema de bajo voltaje o no hay voltaje en la línea)	Puede ser que haya un problema con el suministro eléctrico de la casa que no permita que se encienda el calentador de la secadora.	<p>La secadora seguirá funcionando cuando esté presente este código de diagnóstico. Toque cualquier ajuste u opción para borrar el código de la pantalla y para que reaparezca el tiempo estimado restante.</p> <p>NOTA: Este error aparecerá solamente durante la instalación inicial.</p> <p>Pruebe lo siguiente: Verifique si se ha fundido un fusible de la casa o si se ha disparado el disyuntor. Las secadoras eléctricas utilizan dos fusibles o disyuntores domésticos. Reemplace el fusible o reposicione el disyuntor. Confirme que el cable eléctrico esté instalado como es debido. Consulte las Instrucciones de instalación para obtener más detalles. Seleccione un ciclo Timed Dry (Secado programado) con calor y vuelva a poner la secadora en marcha. Si el mensaje persiste, consulte a un electricista competente.</p>
Códigos de servicio técnico variables "F# E#" (F1 E1, F3 E1, etc.)	La secadora necesita servicio técnico.	Si aparece en la pantalla un código que comienza con "F" y alterna entre F# y E#, el control de la secadora ha detectado un problema que requiere servicio. Llame para solicitar servicio técnico.
Compruebe si el indicador de "Check Vent" (Revisar ducto de ventilación) está iluminado.	Está obstruido el filtro de pelusa o el ducto de escape; está aplastado o retorcido el ducto de escape o tiene demasiadas vueltas.	<p>La secadora seguirá funcionando cuando este indicador esté encendido. Intente lo siguiente:</p> <p>Limpie el filtro de pelusa.</p> <ul style="list-style-type: none"> • Revise si el tendido del ducto de ventilación de la secadora a la pared está aplastado o retorcido. • Revise que el tendido del ducto de ventilación de la secadora a la pared no contenga pelusa ni desechos. • Revise que la campana de escape del ducto exterior no tenga pelusa ni desechos. • Confirme que el sistema de ventilación se encuentre dentro de la longitud de tendido recomendada y que el número de codos sea el correcto para el tipo de ducto de escape que está usando. Consulte "Planificación del sistema de ventilación" en las Instrucciones de instalación para ver los detalles. • Seleccione un ciclo Timed Dry (Secado programado) con calor y vuelva a poner la secadora en marcha. • Si el indicador sigue iluminado, limpie todo el tendido de ventilación de la casa.
"Loc" (Bloqueado)	La función Control Lock (Bloqueo de controles) está activada.	Presione y sostenga CONTROL LOCK (BLOQUEO DE CONTROLES) durante 3 segundos para desbloquear los controles de la secadora. Durante este tiempo, la pantalla LED hará una cuenta regresiva de "3-2-1". Cuando se desactive Control Lock (Bloqueo de controles), la pantalla LED quedará vacía.