

# WASHER INSTALLATION INSTRUCTIONS

# INSTRUCTIONS D'INSTALLATION DE LA LAVEUSE

## Table of Contents

WASHER SAFETY .....	1
INSTALLATION REQUIREMENTS.....	2
Tools and Parts.....	2
Location Requirements .....	3
Drain System .....	4
Electrical Requirements .....	5
INSTALLATION INSTRUCTIONS.....	5
Connect Drain Hose.....	6
Connect Inlet Hoses.....	7
Level Washer .....	8
Complete Installation Checklist.....	9

## Table des matières

SÉCURITÉ DE LA LAVEUSE .....	10
EXIGENCES D'INSTALLATION .....	10
Outillage et pièces .....	10
Exigences d'emplacement .....	11
Système de vidange.....	14
Spécifications électriques.....	14
INSTRUCTIONS D'INSTALLATION .....	15
Raccordement du tuyau de vidange.....	16
Raccordement des tuyaux d'arrivée d'eau .....	17
Établissement de l'aplomb de la laveuse.....	19
Liste de vérification pour l'achèvement de l'installation .....	20

Para obtener acceso al instrucciones de instalación en español,  
o para obtener información adicional acerca de su producto, visite: [www.whirlpool.com](http://www.whirlpool.com).

## INSTALLATION NOTES

Date of purchase: \_\_\_\_\_  
Date of installation: \_\_\_\_\_  
Installer: \_\_\_\_\_  
Model number: \_\_\_\_\_  
Serial number: \_\_\_\_\_

## NOTES SUR L'INSTALLATION

Date d'achat : \_\_\_\_\_  
Date d'installation : \_\_\_\_\_  
Installateur : \_\_\_\_\_  
Numéro de modèle : \_\_\_\_\_  
Numéro de série : \_\_\_\_\_

## WASHER SAFETY

### Your safety and the safety of others are very important.

We have provided many important safety messages in this manual and on your appliance. Always read and obey all safety messages.



This is the safety alert symbol.

This symbol alerts you to potential hazards that can kill or hurt you and others.

All safety messages will follow the safety alert symbol and either the word "DANGER" or "WARNING."

These words mean:

**⚠ DANGER**

You can be killed or seriously injured if you don't immediately follow instructions.

**⚠ WARNING**

You can be killed or seriously injured if you don't follow instructions.

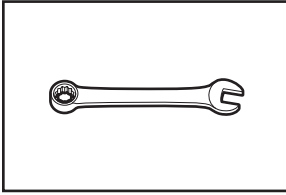
All safety messages will tell you what the potential hazard is, tell you how to reduce the chance of injury, and tell you what can happen if the instructions are not followed.

# INSTALLATION REQUIREMENTS

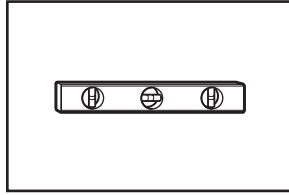
## TOOLS AND PARTS

Gather required tools and parts before starting installation.

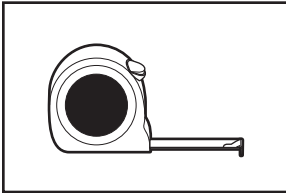
### Tools needed:



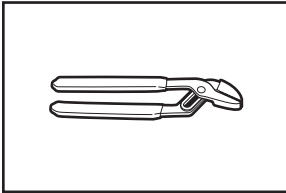
Adjustable or open-end wrenches 1/2" (13 mm), 5/8" (16 mm) and 9/16" (14 mm)



Level

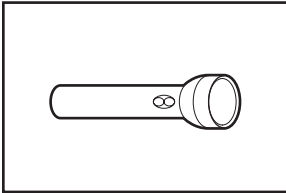


Ruler or measuring tape

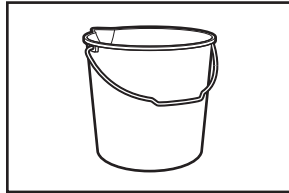


Pliers that open to 1 5/16" (39.5 mm)

### Optional tools:

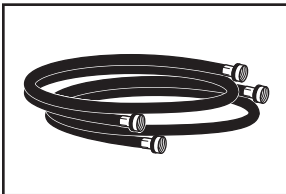


Flashlight

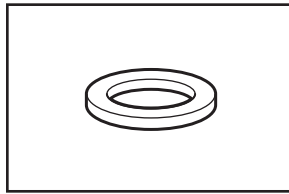


Bucket

### Parts needed (not supplied with washer):



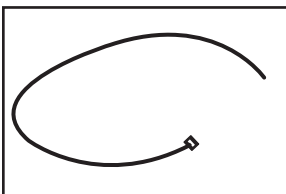
Water inlet hoses (2)



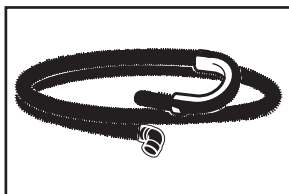
Flat inlet hose washers (4)

### Parts supplied:

**NOTE:** All parts supplied for installation are in the washer basket.



Cable tie



Drain hose with clamp and form (may be shipped unassembled)

### Available accessories:

An optional matching pedestal is available for your washer. Please contact your retailer for ordering information, or see the "Assistance or Service" page on the back of your Use and Care Guide.

### Alternate parts (not supplied with washer):

Your installation may require additional parts. To order, please refer to toll-free numbers on the back page of your Use and Care Guide.

#### If you have:

Overhead sewer

#### You will need:

Standard 20 gallon (76 L) 39" (990 mm) tall drain tub or utility sink, sump pump and connectors (available from local plumbing suppliers)

### Alternate inlet hoses (may be required for some installations, not supplied with washer):

- 8212656RP 10 ft (3.0 m) Inlet hose, Black EPDM (2 pack)
- 8212641RP 5 ft (1.5 m) Inlet hose, Black EPDM (2 pack)
- 8212546RP 4 ft (1.2 m) Inlet hose, Black EPDM (2 pack)
- 8212545RP 5 ft (1.5 m) Inlet hose, Red and Blue EPDM (2 pack)
- 8212487RP 5 ft (1.5 m) Nylon braided inlet hose (2 pack)
- 8212638RP 6 ft (1.8 m) Nylon braided inlet hose, space-saving 90° elbow, hypro-blue steel couplings (2 pack)

# LOCATION REQUIREMENTS

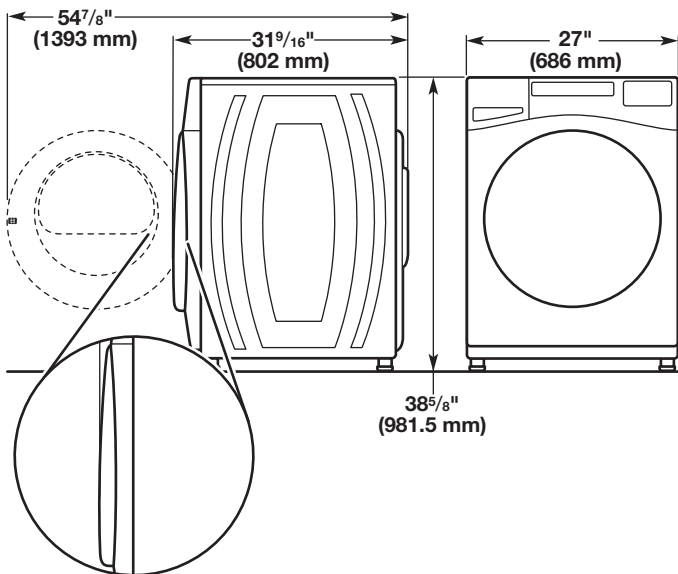
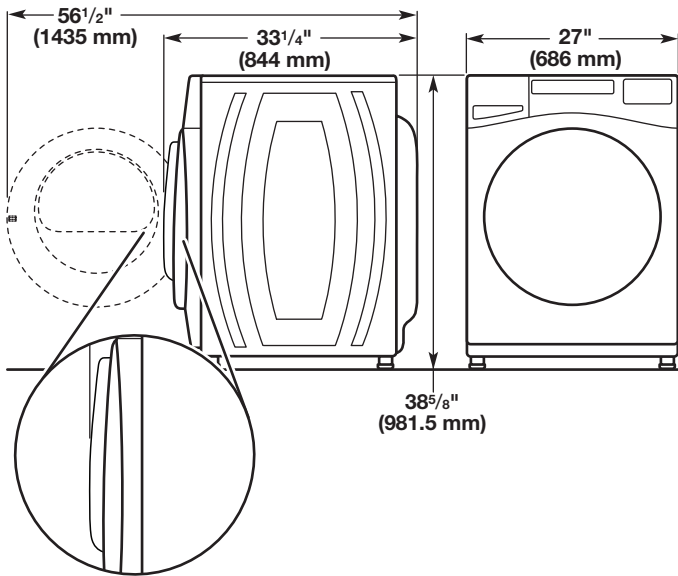
Proper installation is your responsibility.

## You will need:

- A water heater set to 120°F (49°C).
- A grounded electrical outlet located within 6 ft (1.8 m) of power cord on back of washer.
- Hot and cold water faucets located within 4 ft (1.2 m) of hot and cold water fill valves on washer, and water pressure of 20 psi–100 psi (137.9 kPa–689.6 kPa).
- A level floor with maximum slope of 1" (25 mm) under entire washer. Installing on carpet or surfaces with foam backing is not recommended.
- Floor must support washer's total weight (with water and load) of 315 lbs (143 kgs).

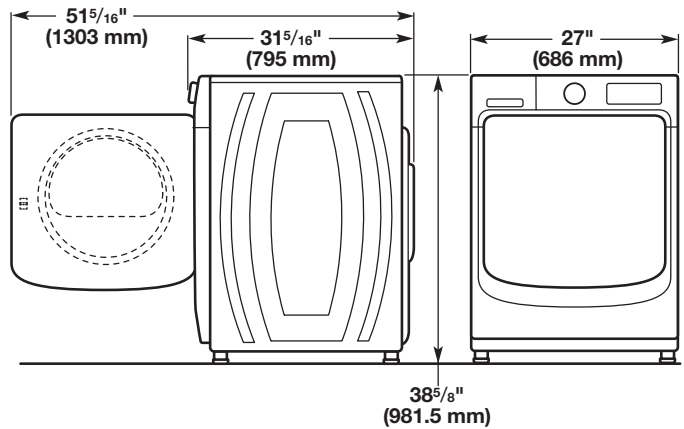
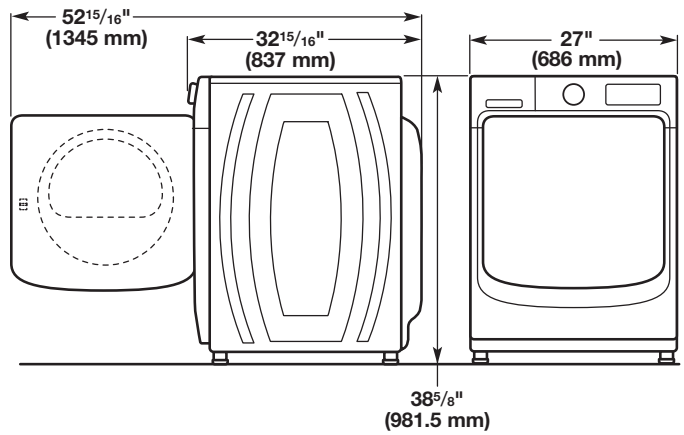
**IMPORTANT:** Do not install, store, or operate washer where it will be exposed to weather or in temperatures below 32°F (0°C). Water remaining in washer after use may cause damage in low temperatures. See "Washer Care" in your Use and Care Guide for winterizing information.

## Whirlpool®, Inglis, and Amana Models\*



\*For additional details (or information) specific to your model, refer to the 'Dimensions' listed for your model at [www.whirlpool.com](http://www.whirlpool.com).

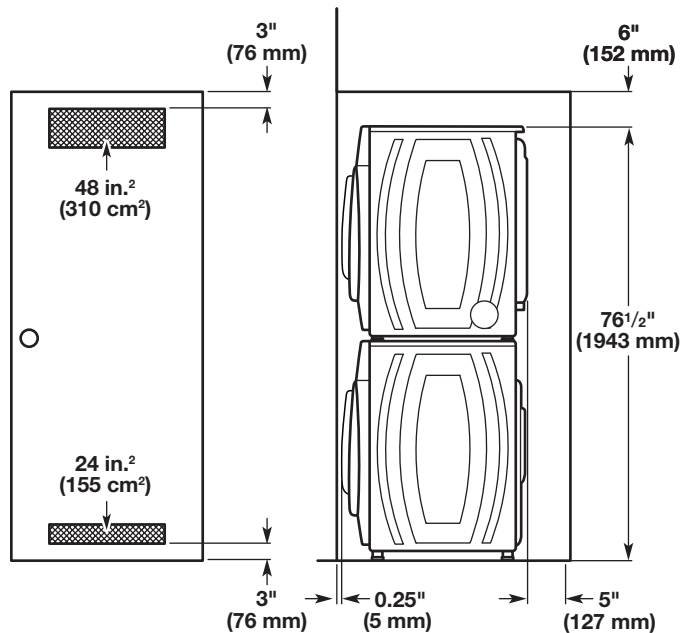
## Maytag® Models



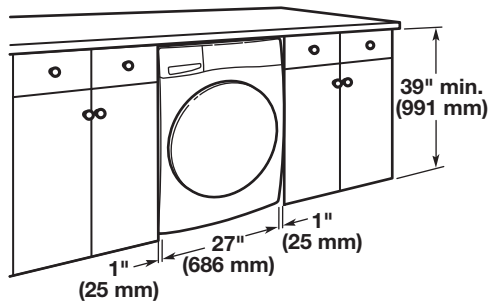
All dimensions show minimum spacing allowed. For each arrangement, consider allowing more space for ease of installation and servicing, and spacing for companion appliances and clearances for walls, doors, and floor moldings.

Space must be large enough to allow door to fully open. Add spacing of 1" (25 mm) on all sides of washer to reduce noise transfer. If a closet door or louvered door is installed, top and bottom air openings in door are required.

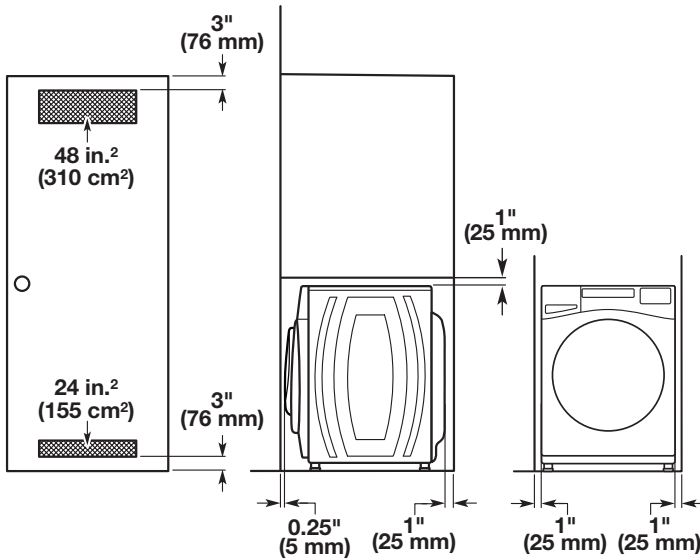
## Recessed area or closet installation (stacked washer and dryer):



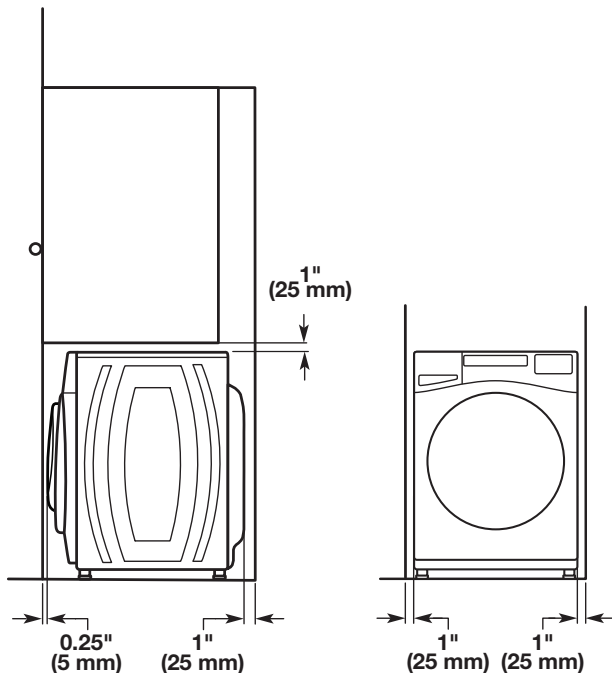
**Custom under-counter installation:**



**Recessed area or closet installation:**



**Custom cabinet installation:**

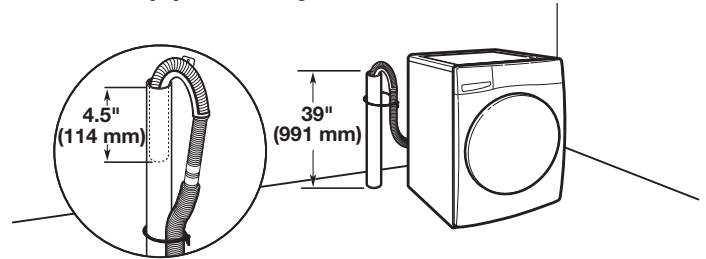


**DRAIN SYSTEM**

The drain system can be installed using a floor drain, wall standpipe, floor standpipe, or laundry tub. Select the method you need.

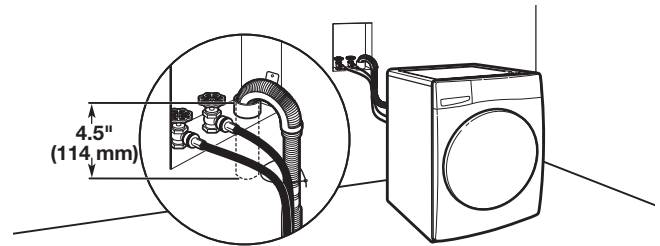
**IMPORTANT:** To avoid siphoning, only 4.5" (114 mm) of drain hose should be inside standpipe. Always secure drain hose with cable tie.

**Floor standpipe drain system**



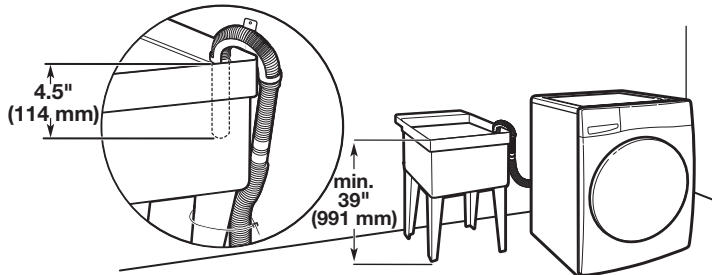
Minimum diameter for a standpipe drain: 2" (51 mm). Minimum carry-away capacity: 17 gallon (64 L) per minute. A 1/4" (6 mm) diameter to 1" (25 mm) diameter Standpipe Adapter Kit is available (Part Number 3363920). Top of standpipe must be at least 39" (991 mm) from the floor; install no higher than 96" (2.44 m) from bottom of washer. If you have an overhead sewer and need to pump higher than 96" (2.44 m), a sump pump and associated hardware are needed. See "Alternate parts."

**Wall standpipe drain system**

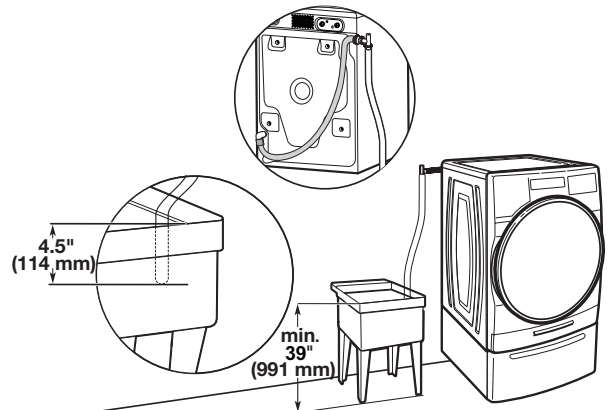


See requirements for floor standpipe drain system.

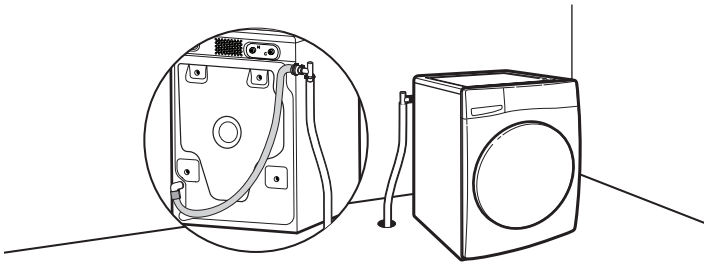
**Laundry tub drain system**



Minimum capacity: 20 gallon (76 L). Top of laundry tub must be at least 39" (991 mm) from the floor; install no higher than 96" (2.44 m) from bottom of washer.



## Floor drain system



Floor drain system requires a Siphon Break Kit, two Connector Kits, and an Extension Drain Hose that may be purchased separately. Please contact your retailer for ordering information, or see the "Assistance or Service" page on the back of your Use and Care Guide. Minimum siphon break height: 28" (710 mm) from bottom of washer. (Additional hoses may be needed.)

## ELECTRICAL REQUIREMENTS

### ⚠ WARNING



#### Electrical Shock Hazard

Plug into a grounded 3 prong outlet.

Do not remove ground prong.

Do not use an adapter.

Do not use an extension cord.

Failure to follow these instructions can result in death, fire, or electrical shock.

- A 120 V, 60 Hz., AC only, 15 A or 20 A, fused electrical supply is required. A time-delay fuse or circuit breaker is recommended. It is recommended that a separate circuit breaker serving only this appliance be provided.
- This washer is equipped with a power supply cord having a 3 prong grounding plug.
- To minimize possible shock hazard, the cord must be plugged into a mating, 3 prong, grounding-type outlet, grounded in accordance with local codes and ordinances. If a mating outlet is not available, it is the personal responsibility and obligation of the customer to have the properly grounded outlet installed by a qualified electrician.
- If codes permit and a separate ground wire is used, it is recommended that a qualified electrician determine that the ground path is adequate.
- Do not ground to a gas pipe.
- Check with a qualified electrician if you are not sure the washer is properly grounded.
- Do not have a fuse in the neutral or ground circuit.

## GROUNDING INSTRUCTIONS

### For a grounded, cord-connected washer:

This washer must be grounded. In the event of a malfunction or breakdown, grounding will reduce the risk of electrical shock by providing a path of least resistance for electric current. This washer is equipped with a cord having an equipment-grounding conductor and a grounding plug. The plug must be plugged into an appropriate outlet that is properly installed and grounded in accordance with all local codes and ordinances.

**WARNING:** Improper connection of the equipment-grounding conductor can result in a risk of electric shock. Check with a qualified electrician or serviceman if you are in doubt as to whether the appliance is properly grounded.

Do not modify the plug provided with the appliance – if it will not fit the outlet, have a proper outlet installed by a qualified electrician.

## INSTALLATION INSTRUCTIONS

### ⚠ WARNING

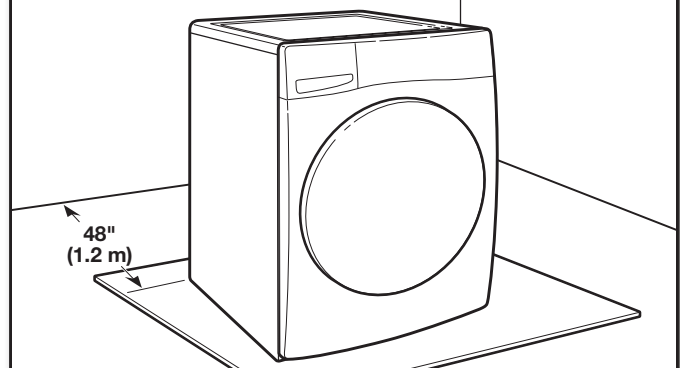
#### Excessive Weight Hazard

Use two or more people to move and install washer.

Failure to do so can result in back or other injury.

**NOTE:** To avoid floor damage, set washer onto cardboard before moving it.

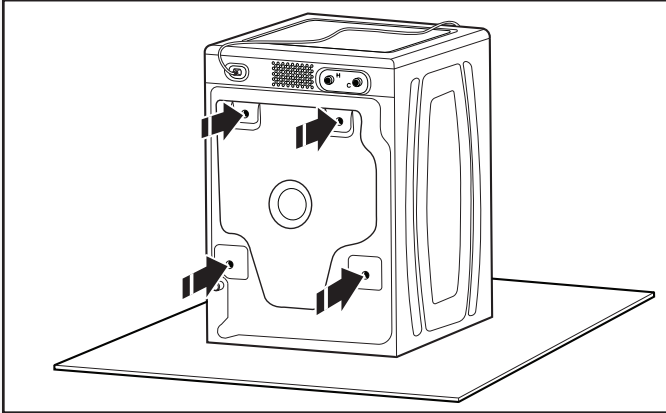
### 1. Move washer



It is necessary to remove all shipping materials for proper operation and to avoid excessive noise from washer.

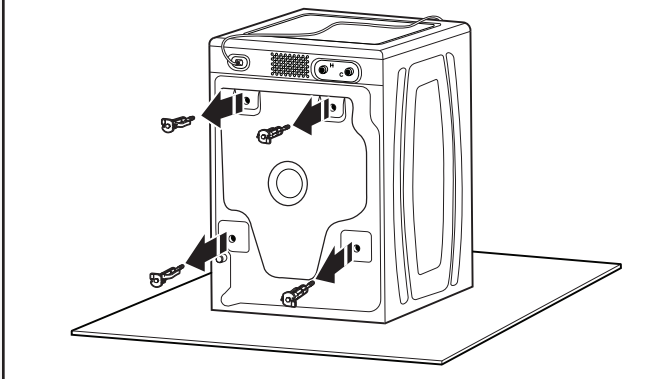
Move washer to within 4 ft (1.2 m) of its final location. It must be in a fully upright position.

## 2. Locate transport bolts



Locate four transport bolts on rear of washer.

## 3. Remove transport bolts from washer

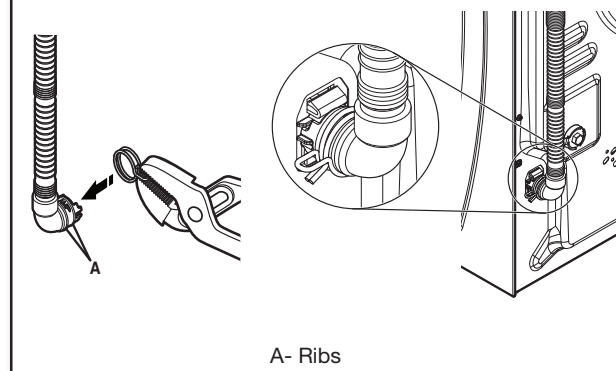


Loosen bolts with a 5/8" (16 mm) wrench. Slide each bolt and spacer to center of hole. Pull bolts and plastic spacers from back of washer. Discard bolts and spacers.

**IMPORTANT:** Do not plug washer in until installation has been completed.

## CONNECT DRAIN HOSE

### 4. Attach drain hose to drain port



A- Ribs

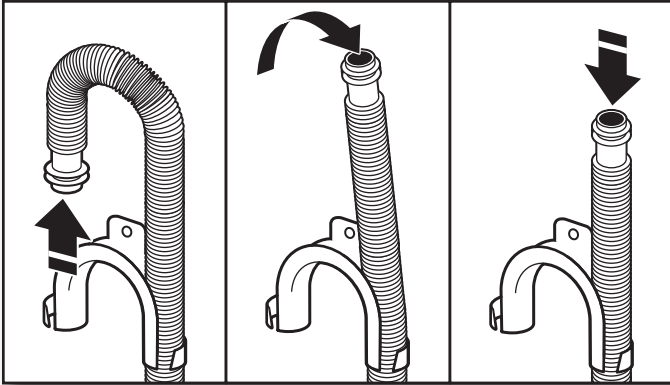
If clamp is not already in place on elbow end of drain hose, squeeze clamp with pliers and slide it over end of hose, centering it between the ribs, as shown. Squeeze clamp with pliers and slide elbow end of drain hose onto drain port and secure with clamp.

For a laundry tub or standpipe drain, go to step 6.

For a floor drain, remove the preinstalled drain hose form as shown in Step 5. You may need additional parts with separate directions. See "Alternate Parts."

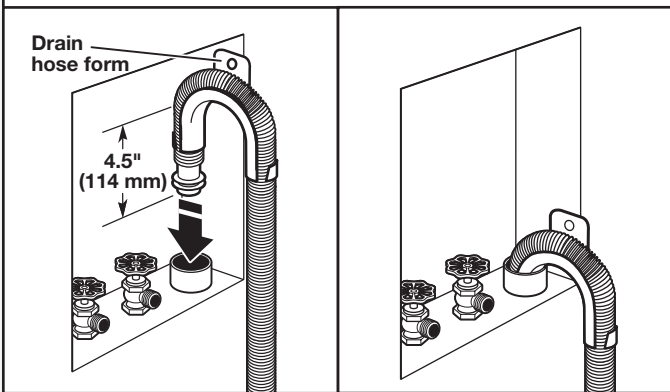
It is the responsibility of the installer to install and secure the drain hose into the provided plumbing/drain in a manner that will avoid the drain hose coming out of or leaking from the plumbing/drain.

### 5. Remove drain hose form (floor drain installations only)



For floor drain installations, you will need to remove the drain hose form from the end of the drain hose. You may need additional parts with separate directions. See "Alternate Parts".

### 6. Place drain hose in standpipe

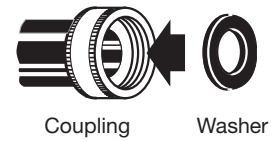


Place hose into standpipe (shown in picture) or over side of laundry tub.

**IMPORTANT:** Only 4.5" (114 mm) of drain hose should be inside standpipe; do not force excess hose into standpipe or lay on bottom of laundry tub. Drain hose form must be used.

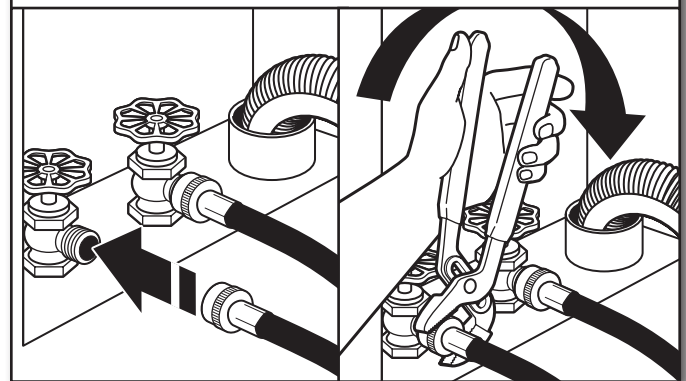
## CONNECT INLET HOSES

### 7. Insert new flat washers



**IMPORTANT:** To avoid leaks, check that your water inlet hoses have flat washers at both ends. Washer must be connected to water faucets with new inlet hoses with flat washers (not provided). Do not use old hoses. Do not use hoses without washers.

### 8. Connect inlet hoses to water faucets

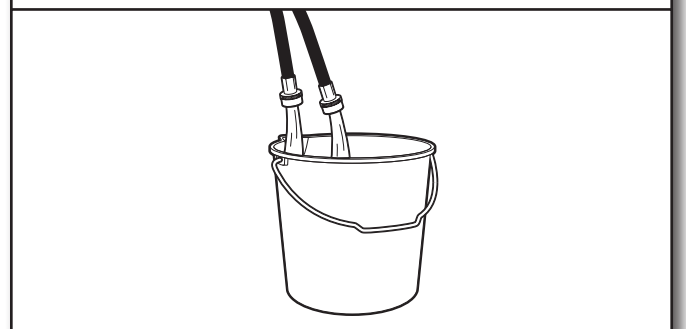


Attach the hose labeled hot to hot water faucet. Screw on coupling by hand until it is seated on washer. Use pliers to tighten couplings an additional two-thirds turn. Repeat this step with the hose labeled cold for the cold water faucet. Both hoses must be connected for washer to work properly.

**IMPORTANT:** Do not overtighten or use tape or sealants on valve when attaching to faucets or washer. Damage can result.

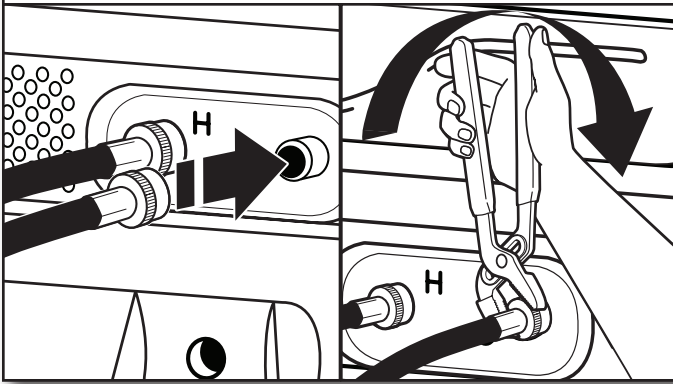
**HELPFUL TIP:** Make note of which hose is connected to hot water to help in attaching hoses to washer correctly. In most standard configurations, hoses will cross over each other when attached correctly.

### 9. Clear water lines



Run water for a few seconds through hoses into a laundry tub, drainpipe, or bucket to avoid clogs. Water should run until clear.

## 10. Connect inlet hoses to washer



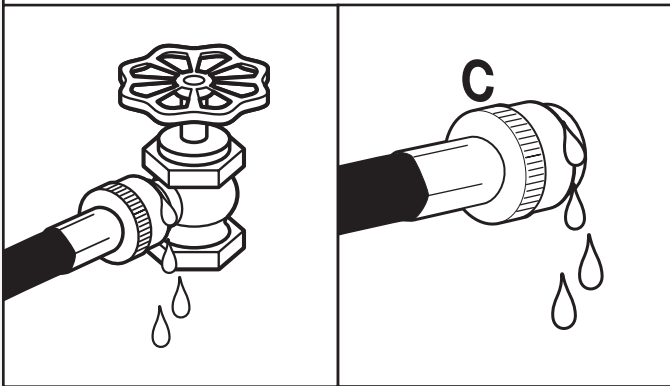
Attach hot water hose to hot water inlet valve. Screw coupling by hand until it is snug. Use pliers to tighten couplings an additional two-thirds turn. Repeat with cold water inlet valve.

**IMPORTANT:** Do not overtighten or use tap or sealants on valve when attaching to faucets or washer. Damage can result.

**NOTE:** To reduce risk of hose failure, replace the hoses every 5 years. Record hose installation or replacement dates for future reference.

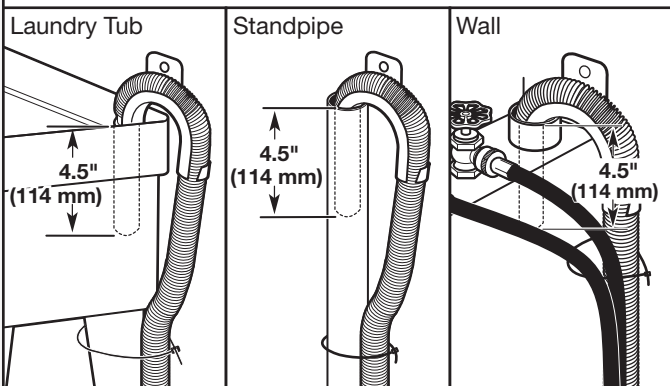
- Periodically inspect and replace hoses if bulges, kinks, cuts, wear, or leaks are found.

## 11. Check for leaks



Slowly turn on water faucets to check for leaks. A small amount of water may enter washer. It will drain later.

## 12. Secure drain hose

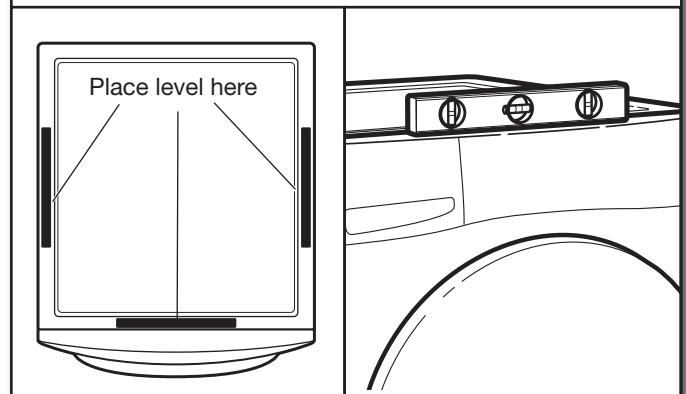


Secure drain hose to laundry tub leg, drain standpipe, or inlet hoses for wall standpipe with cable tie.

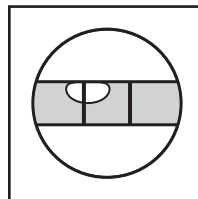
## LEVEL WASHER

**IMPORTANT:** Leveling your washer properly reduces excess noise and vibration.

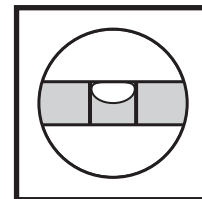
## 13. Check levelness of washer



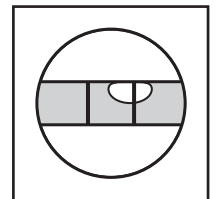
Remove cardboard from beneath washer. Place a level on top edges of washer, checking each side and front. If not level, tip washer and adjust feet up or down as shown in steps 15 and 16, repeating as necessary.



Not Level

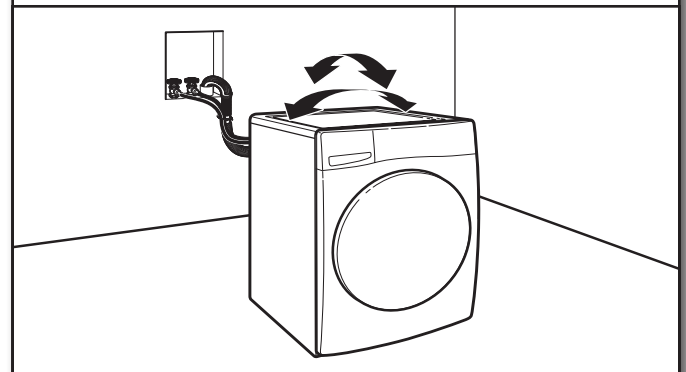


LEVEL



Not Level

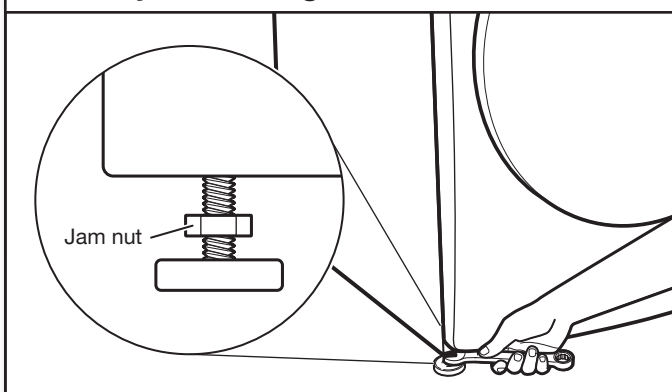
## 14. Rock washer to test foot contact



Grip washer from top and rock back and forth, making sure all four feet are firmly on floor. Repeat, rocking washer from side to side. If washer rocks, go to step 15 and adjust leveling feet. If all four feet are in firm contact with floor, go to Step 16.



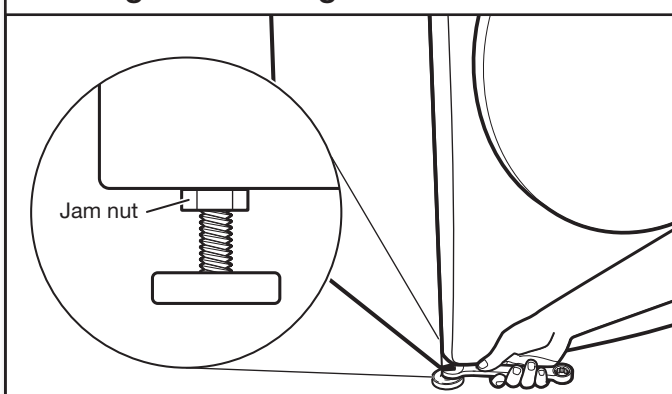
## 15. Adjust leveling feet



If washer is not level, use a 9/16" (14 mm) open-end or adjustable wrench to turn jam nuts clockwise on feet until they are about 1/2" (13 mm) from the washer cabinet. Then turn the leveling foot clockwise to lower the washer or counterclockwise to raise the washer. Do not exceed 2" (50 mm) from bottom of foot to bottom of cabinet. Recheck levelness of washer and that all four feet are firmly in contact with the floor. Repeat as needed.

**HELPFUL TIP:** You may want to prop up front of washer about 4" (102 mm) with a wood block or similar object that will support weight of washer.

## 16. Tighten leveling feet



When washer is level and all four feet are firmly in contact with the floor, use a 9/16" (14 mm) open-end or adjustable wrench to turn jam nuts counterclockwise on leveling feet tightly against washer cabinet.

**HELPFUL TIP:** You may want to prop washer with wooden block.

## ⚠ WARNING



### Electrical Shock Hazard

**Plug into a grounded 3 prong outlet.**

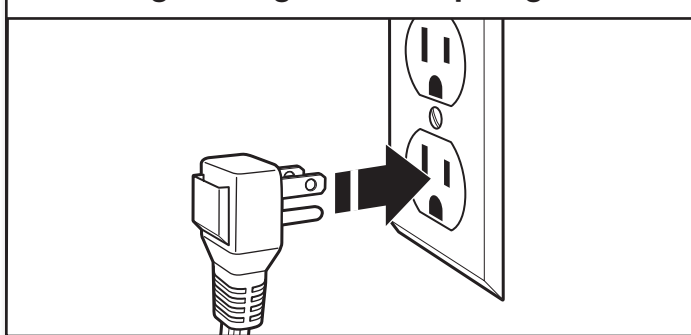
**Do not remove ground prong.**

**Do not use an adapter.**

**Do not use an extension cord.**

**Failure to follow these instructions can result in death, fire, or electrical shock.**

## 17. Plug into a grounded 3 prong outlet



## COMPLETE INSTALLATION CHECKLIST

- Check electrical requirements. Be sure you have correct electrical supply and recommended grounding method.
- Check that all parts are now installed. If there is an extra part, go back through steps to see what was skipped.
- Check that you have all of your tools.
- Check that transport materials were completely removed from back of washer.
- Check that both hot and cold hoses are attached and water faucets are on.
- Check for leaks around faucets, valves, and inlet hoses.
- Remove protective film from console and any tape remaining on washer.
- Check that washer is plugged into a grounded 3 prong outlet.
- Dispose of/recycle all packaging materials.
- Read "Using Your Washer" in your Washer Use and Care Guide.
- To test and clean your washer, press POWER and choose the Quick cycle and run it without clothes. Use only HE detergent. Use 1/2 the manufacturer's recommended amount for a medium-size load.

# SÉCURITÉ DE LA LAVEUSE

## Votre sécurité et celle des autres est très importante.

Nous donnons de nombreux messages de sécurité importants dans ce manuel et sur votre appareil ménager. Assurez-vous de toujours lire tous les messages de sécurité et de vous y conformer.



Voici le symbole d'alerte de sécurité.

Ce symbole d'alerte de sécurité vous signale les dangers potentiels de décès et de blessures graves à vous et à d'autres.

Tous les messages de sécurité suivront le symbole d'alerte de sécurité et le mot "DANGER" ou "AVERTISSEMENT". Ces mots signifient :

**⚠ DANGER**

**Risque possible de décès ou de blessure grave si vous ne suivez pas immédiatement les instructions.**

**⚠ AVERTISSEMENT**

**Risque possible de décès ou de blessure grave si vous ne suivez pas les instructions.**

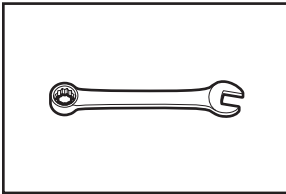
Tous les messages de sécurité vous diront quel est le danger potentiel et vous disent comment réduire le risque de blessure et ce qui peut se produire en cas de non-respect des instructions.

## EXIGENCES D'INSTALLATION

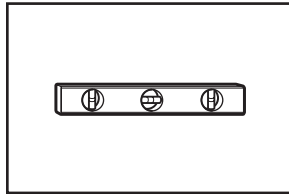
### OUTILLAGE ET PIÈCES

Rassembler les outils et pièces nécessaires avant de commencer l'installation.

#### Outillage nécessaire :

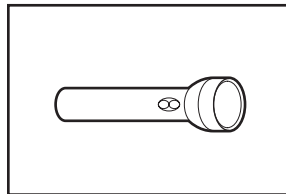


Clés plates ou clés à molette de 1/2" (13 mm), 5/8" (16 mm) et 9/16" (14 mm)

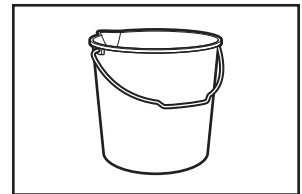


Niveau

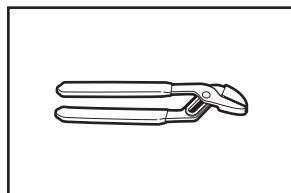
#### Outillage facultatif :



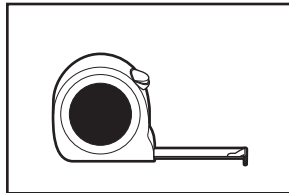
Lampe de poche



Seau

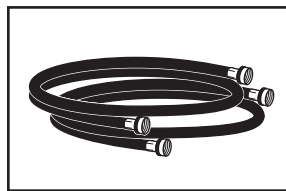


Pince avec ouverture jusqu'à 1<sup>9</sup>/<sub>16</sub>" (39,5 mm)

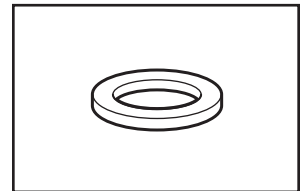


Règle ou mètre ruban

#### Pièces nécessaires : (Non fournies avec la laveuse)



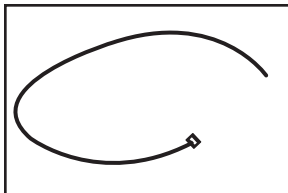
Tuyaux d'arrivée d'eau (2)



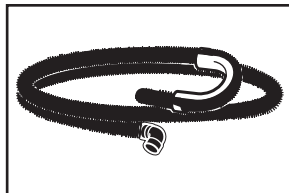
Rondelles plates pour tuyau d'arrivée d'eau (4)

## Pièces fournies :

**REMARQUE :** Toutes les pièces fournies pour l'installation se trouvent dans le panier de la laveuse.



Attache-câble



Tuyau de vidange avec bride et bride de retenue (peuvent être livrés non montés)

## Accessoires disponibles :

Vous pouvez obtenir un piédestal facultatif assorti pour la laveuse. Contacter le revendeur pour effectuer la commande ou voir la page "Assistance ou service" au dos du Guide d'utilisation et d'entretien.

## Autres pièces : (Non fournies avec la laveuse)

Il se peut que l'installation nécessite des pièces supplémentaires. Pour commander, consulter les numéros d'appel sans frais figurant sur la page de couverture du Guide d'utilisation et d'entretien.

### Si vous avez :

Un égout surélevé

### Il vous faudra :

Tuyau de vidange standard de 20 gallon (76 L) de 39" (990 mm) de haut ou évier de décharge, pompe de puisard et connecteurs (disponibles chez les vendeurs de matériel de plomberie locaux)

## Tuyaux d'arrivée d'eau alternatifs :

(peuvent être nécessaires pour certaines installations; ne sont pas fournis avec la laveuse)

- 8212656RP Tuyau d'arrivée d'eau de 10 pi. (3 m), EPDM noir (lot de 2)
- 8212641RP Tuyau d'arrivée d'eau de 5 pi. (1,5 m), EPDM noirs (lot de 2)
- 8212546RP Tuyau d'arrivée d'eau de 4 pi. (1,2 m), EPDM noirs (lot de 2)
- 8212545RP Tuyau d'arrivée d'eau de 5 pi. (1,5 m), EPDM rouge et bleu (lot de 2)
- 8212487RP Tuyau d'arrivée d'eau en nylon tressé de 5 pi. (1,5 m) (lot de 2)
- 8212638RP Tuyau d'arrivée d'eau en nylon tressé de 6 pi (1,8 m), coude compact à 90°, raccords hypro-blue en acier (lot de 2)

## EXIGENCES D'EMPLACEMENT

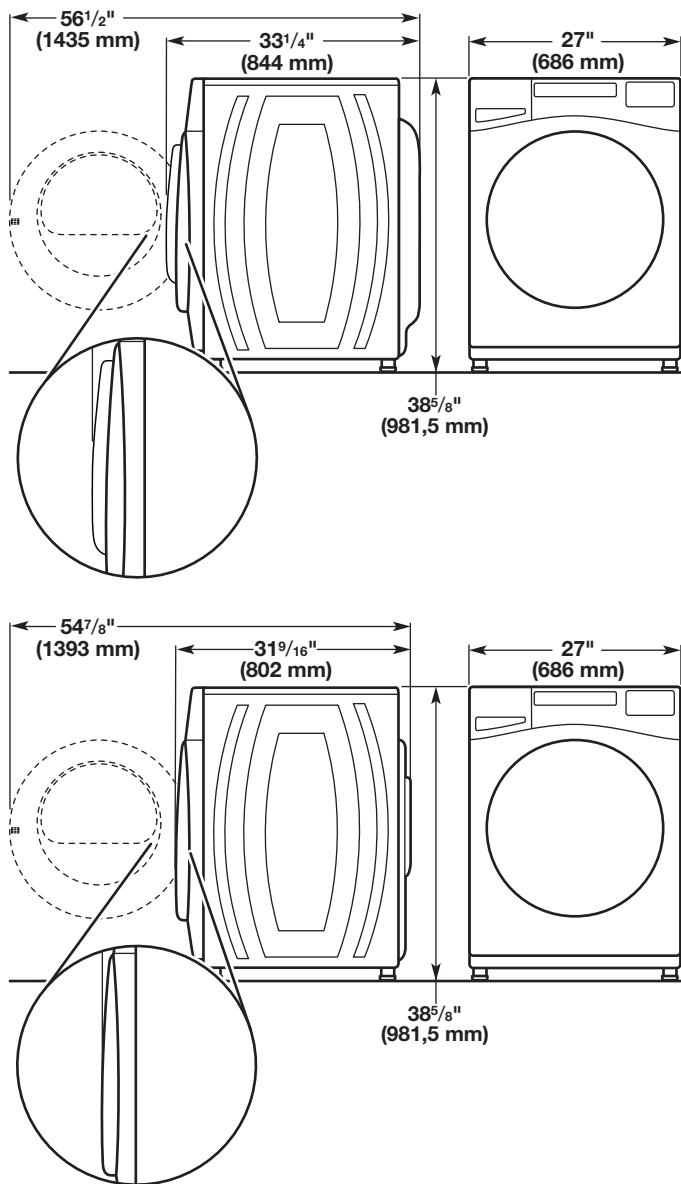
C'est à l'utilisateur qu'incombe la responsabilité de réaliser une installation correcte.

### Il vous faudra :

- Un chauffe-eau réglé à 120 °F (49 °C).
- Une prise électrique reliée à la terre et située à moins de 6 pi (1,8 m) du cordon d'alimentation situé à l'arrière de la laveuse.
- Des robinets d'eau chaude et d'eau froide situés à moins de 4 pi (1,2 m) des électrovannes de remplissage d'eau chaude et d'eau froide situées sur la laveuse et une pression d'eau de 20 à 100 lb/po<sup>2</sup> (137,9 à 689,6 kPa).
- Un plancher de niveau avec une pente maximale de 1" (25 mm) sous l'ensemble de la laveuse. Il n'est pas recommandé de l'installer sur un tapis, de la moquette ou des surfaces avec endos en mousse.
- Un plancher capable de supporter le poids total de 315 lb (143 kg) de la laveuse (eau et charge comprises).

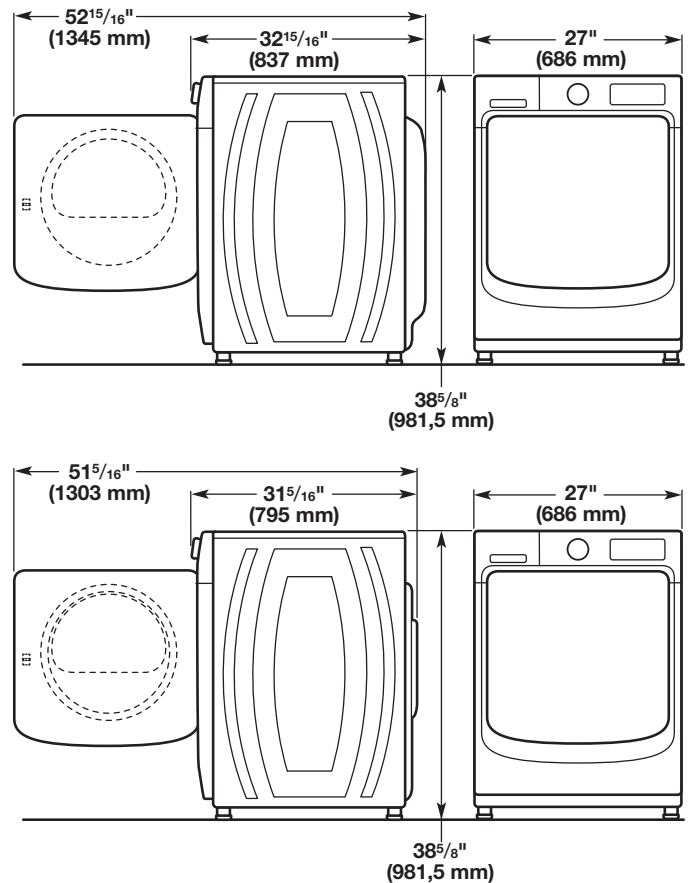
**IMPORTANT :** Ne pas installer, remiser ou faire fonctionner la laveuse à un emplacement où elle sera exposée aux intempéries ou à des températures inférieures à 32 °F (0 °C). De l'eau restée dans la laveuse après utilisation peut causer des dommages à basse température. Voir "Entretien de la laveuse" dans le Guide d'utilisation et d'entretien de la laveuse pour des renseignements sur l'hivernisation.

Modèles Whirlpool®, Inglis et Amana\*



\*Pour plus de détails (ou de renseignements) relatifs à votre modèle, voir le 'Dimensions' indiquées pour ce modèle à [www.whirlpool.com](http://www.whirlpool.com).

Modèles Maytag®

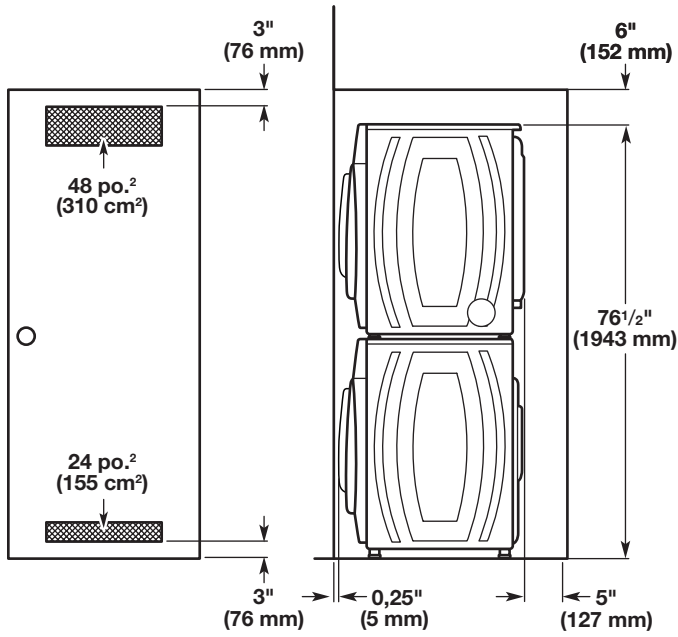


Toutes les dimensions représentent les dégagements le minimum permis.

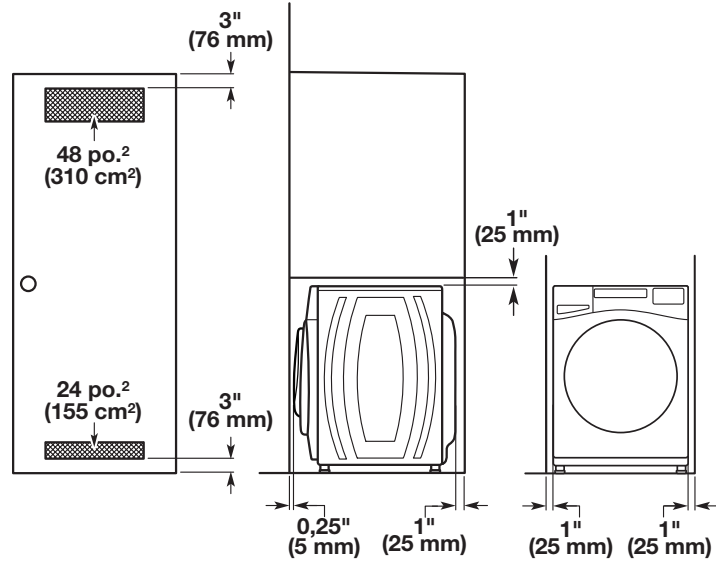
Pour chaque configuration, on peut éventuellement laisser davantage de dégagement pour faciliter l'installation et l'entretien; des distances de séparation par les appareils ménagers voisins et des dégagements pour les murs, les portes et les moulures de plancher.

Le dégagement octroyé doit permettre à la porte de s'ouvrir complètement. Ajouter un espace supplémentaire de 1" (25 mm) de tous les côtés de la laveuse pour réduire le transfert de bruit. Si l'on installe une porte de placard ou une porte à persiennes, des ouvertures d'aération au sommet et au bas de la porte sont nécessaires.

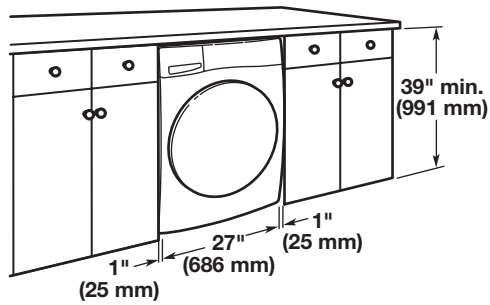
**Installation dans un encastrement ou un placard (laveuse et sècheuse superposées) :**



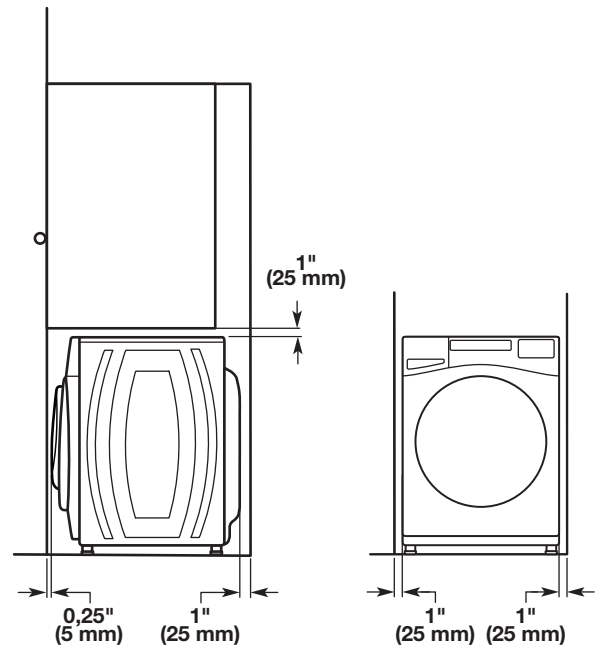
**Installation dans un encastrement ou un placard (laveuse uniquement) :**



**Installation sous comptoir personnalisée :**



**Installation dans un placard personnalisée :**

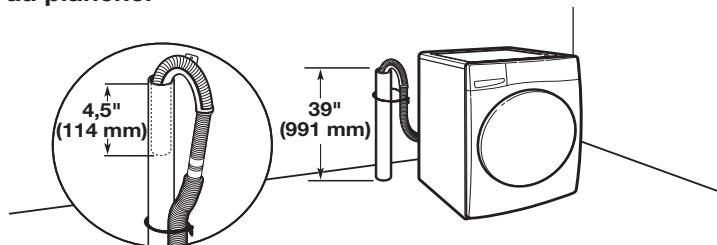


## SYSTÈME DE VIDANGE

Le système de vidange de la laveuse peut être installé à l'aide d'un conduit d'évacuation au plancher, un tuyau de rejet à l'égout au plancher ou mural ou un évier de buanderie. Sélectionner la méthode à utiliser.

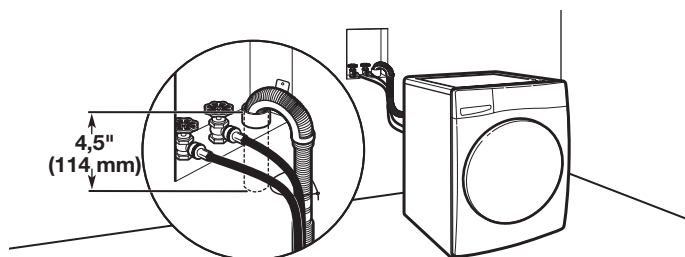
**IMPORTANT :** Pour éviter un effet de siphon, ne pas introduire plus de 4,5" (114 mm) de tuyau de vidange à l'intérieur du tuyau rigide de rejet à l'égout. Toujours immobiliser le tuyau de vidange avec un attache-câble.

### Système de vidange avec tuyau de rejet à l'égout au plancher



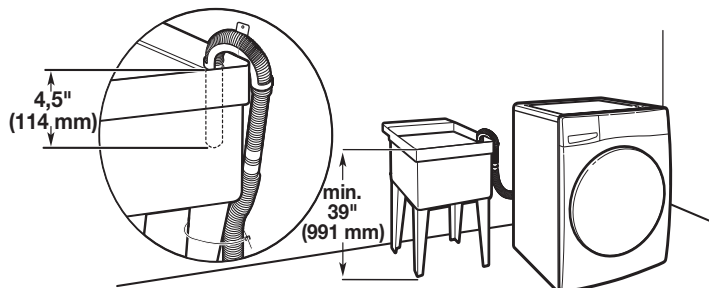
Diamètre minimal pour un tuyau de rejet à l'égout : 2" (51 mm). Capacité minimale d'acheminement : 17 gal (64 L) par minute. Un ensemble d'adaptation pour tuyau de rejet à l'égout pour diamètre de 1/4" (6 mm) vers diamètre de 1" (25 mm) est offert (numéro de pièce 3363920). Le haut du tuyau de rejet à l'égout doit être à au moins 39" (991 mm) du sol, mais pas à plus de 96" (2,44 m) du bas de la laveuse. Si la canalisation de vidange est au-dessus de la tête et que l'eau doit être pompée à plus de 96" (2,44 m), une pompe de puisard et sa quincaillerie seront nécessaires. Consulter le point "pièces facultatives".

### Système de vidange avec tuyau de rejet à l'égout mural

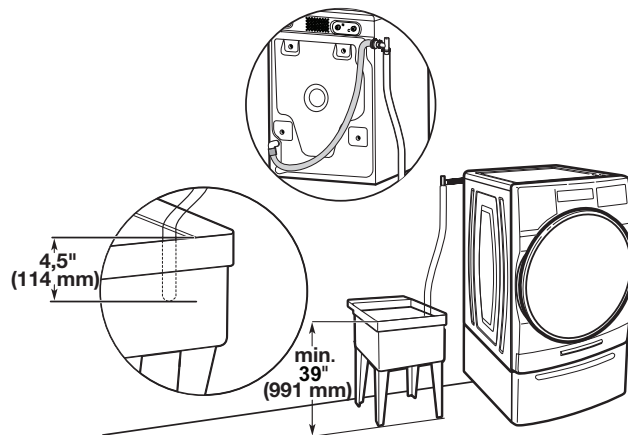


Voir les exigences pour le système de vidange avec tuyau rigide de rejet à l'égout au plancher.

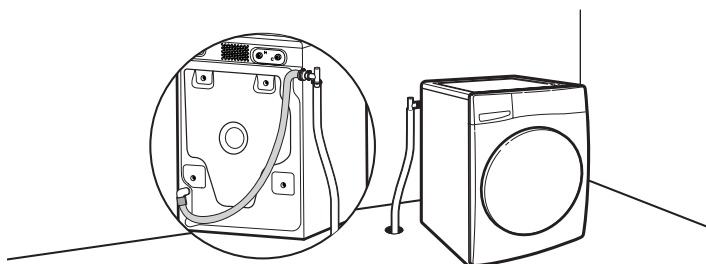
### Système de vidange dans un évier de buanderie



Capacité minimale : 20 gal (76 L). Le haut de l'évier de buanderie doit être à au moins 39" (991 mm) du sol, mais pas à plus de 96" (2,44 m) du bas de la laveuse.



### Système de vidange au plancher



Le système de vidange au plancher nécessite un ensemble de brise-siphon, deux ensembles de raccordement et une rallonge de tuyau de vidange qui peuvent être achetés séparément. Contacter le revendeur pour effectuer la commande ou voir la page "Assistance ou service" au dos du guide d'utilisation et d'entretien. Hauteur minimale du brise-siphon : 28" (710 mm) à partir du fond de la laveuse. (Des tuyaux supplémentaires peuvent être requis).

## SPÉCIFICATIONS ÉLECTRIQUES

### ⚠ AVERTISSEMENT



#### Risque de choc électrique

- Brancher sur une prise à 3 alvéoles reliée à la terre.**
- Ne pas enlever la broche de liaison à la terre.**
- Ne pas utiliser un adaptateur.**
- Ne pas utiliser un câble de rallonge.**
- Le non-respect de ces instructions peut causer un décès, un incendie ou un choc électrique.**

- Une alimentation de 120 V, 60 Hz, CA seulement, de 15 A ou 20 A, protégée par un fusible est requise. On recommande l'emploi d'un fusible ou d'un disjoncteur temporisé. Il est recommandé de raccorder l'appareil sur un circuit distinct exclusif à cet appareil.
- Cette laveuse comporte un cordon d'alimentation électrique à 3 broches pour liaison à la terre.

# INSTRUCTIONS D'INSTALLATION

## ⚠ AVERTISSEMENT

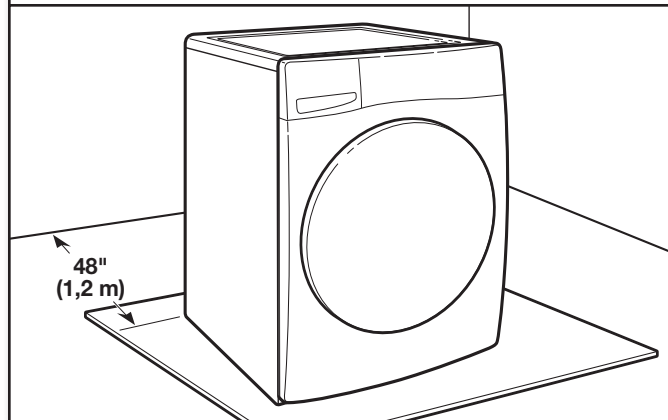
### Risque du poids excessif

Utiliser deux ou plus de personnes pour déplacer et installer la laveuse.

Le non-respect de cette instruction peut causer une blessure au dos ou d'autre blessure.

**REMARQUE :** Pour éviter d'endommager le plancher, installer la laveuse sur un carton avant de la déplacer.

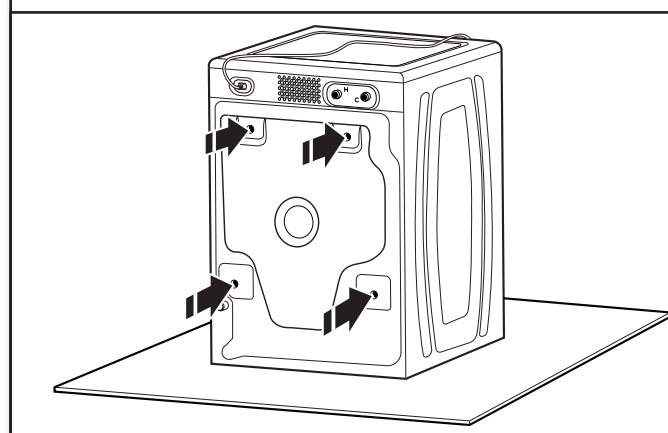
## 1. Déplacer la laveuse



Il est nécessaire de retirer tout le matériel d'expédition pour un fonctionnement correct et pour éviter que la laveuse ne fasse trop de bruit.

Déplacer la laveuse à moins de 4 pi (1,2 m) de son emplacement final. Elle doit être en position complètement verticale.

## 2. Localiser les boulons de transport



Localiser quatre boulons de transport situés l'arrière de la laveuse.

- Une alimentation de 120 V, 60 Hz, CA seulement, de 15 ou 20 A, protégée par un fusible est requise. On recommande l'emploi d'un fusible ou d'un disjoncteur temporisé. Il est recommandé de raccorder l'appareil sur un circuit distinct exclusif à cet appareil.
- Cette laveuse comporte un cordon d'alimentation électrique à 3 broches pour liaison à la terre.
- Pour minimiser les risques de choc électrique, on doit brancher le cordon sur une prise de courant de configuration correspondante, à 3 alvéoles, reliée à la terre et installée conformément aux codes et règlements locaux. Si une prise de courant de configuration correspondante n'est pas disponible, le client a la responsabilité et l'obligation de faire installer par un électricien qualifié une prise de courant correctement reliée à la terre.
- Si les codes le permettent et si l'on utilise un conducteur distinct de liaison à la terre, il est recommandé qu'un électricien qualifié vérifie la qualité de la liaison à la terre.
- Ne pas utiliser une tuyauterie de gaz pour le raccordement à la terre.
- En cas de doute quant à la qualité de la liaison à la terre de la laveuse, consulter un électricien qualifié.
- Ne pas installer un fusible dans le conducteur neutre ou le circuit de liaison à la terre.

## INSTRUCTIONS DE LIAISON À LA TERRE

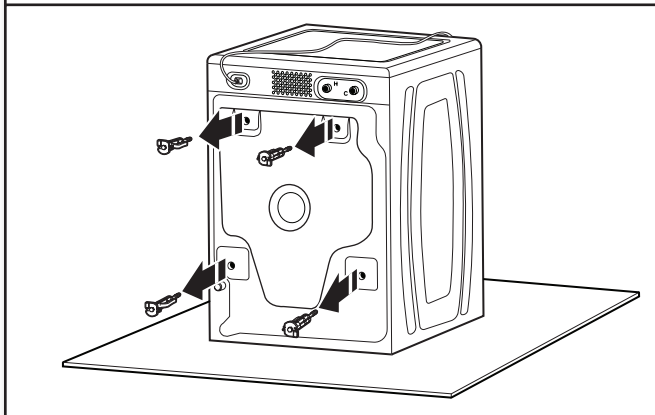
### Pour une laveuse reliée à la terre et connectée par un cordon :

Cette laveuse doit être reliée à la terre. En cas d'anomalie de fonctionnement ou de panne, la liaison à la terre réduira le risque de choc électrique en offrant au courant électrique un itinéraire d'évacuation de moindre résistance. Cette laveuse est alimentée par un cordon électrique comportant un conducteur relié à la terre et une fiche de branchement munie d'une broche de liaison à la terre. La fiche doit être branchée sur une prise de courant appropriée qui est bien installée et reliée à la terre conformément à tous les codes et règlements locaux.

**AVERTISSEMENT :** Le raccordement incorrect de cet appareil au conducteur de liaison à la terre peut susciter un risque de choc électrique. En cas de doute quant à la qualité de la liaison à la terre de l'appareil, consulter un électricien ou technicien d'entretien qualifié.

Ne pas modifier la fiche de branchement fournie avec l'appareil – si la fiche ne correspond pas à la configuration de la prise de courant, demander à un électricien qualifié d'installer une prise de courant convenable.

### 3. Retirer les boulons de transport de la laveuse

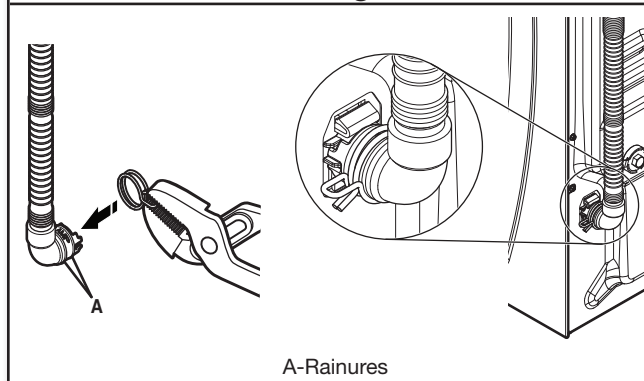


Desserrer les boulons avec une clé de 5/8" (16 mm). Déplacer chaque boulon et cale vers le centre du trou. Retirer les boulons et les cales en plastique de l'arrière de la laveuse. Jeter les boulons et cales d'espacement.

**IMPORTANT :** Ne pas brancher la laveuse avant d'avoir terminé l'installation.

### RACCORDEMENT DU TUYAU DE VIDANGE

#### 4. Fixation du tuyau de vidange à l'orifice de vidange



Si la bride n'est pas déjà installée sur l'extrémité coudée du tuyau de vidange, serrer la bride avec une pince et la faire glisser sur l'extrémité du tuyau en la centrant entre les rainures tel qu'illustré. Serrer la bride avec une pince et faire glisser à nouveau l'extrémité coudée du tuyau de vidange sur l'orifice de vidange, puis fixer avec la bride.

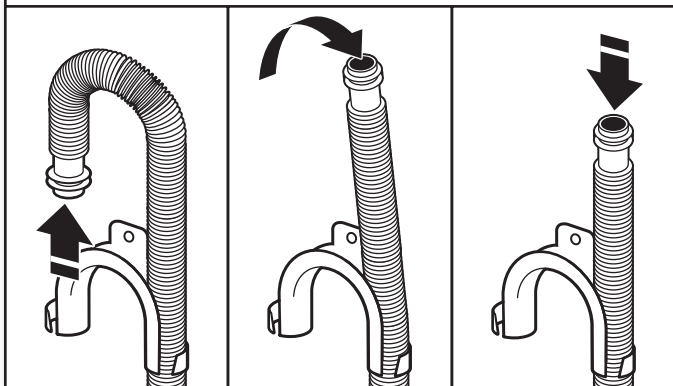
Pour un évier de buanderie ou un tuyau rigide de rejet à l'égout rigide, passer à l'étape 6.

Pour une vidange au plancher, retirer la bride de retenue pour tuyau de vidange préinstallée tel qu'indiqué à l'étape 5. Des pièces supplémentaires avec des instructions distinctes s'avèreront peut-être nécessaires. Voir "Autres pièces".

Il incombe à l'installateur d'installer et fixer solidement le tuyau de vidange à la canalisation d'évacuation de manière que le tuyau de vidange ne puisse sortir et causer d'éventuelles fuites de la canalisation d'évacuation.

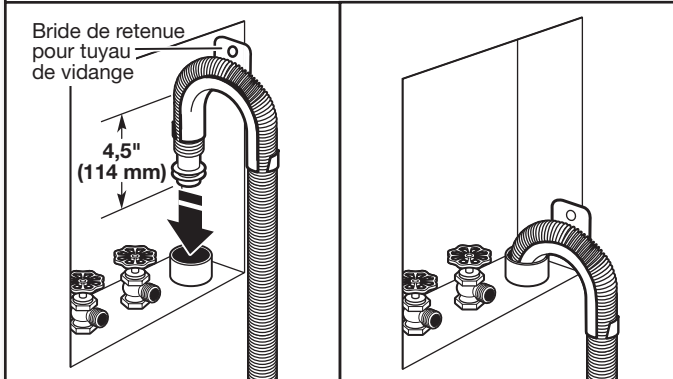


## 5. Retrait de la bride de retenue pour tuyau de vidange (installations avec vidange au plancher uniquement)



Pour les installations avec vidange au plancher, il faut retirer la bride de retenue pour tuyau de vidange de l'extrémité du tuyau de vidange. Des pièces supplémentaires avec des directives distinctes seront peut-être nécessaires. Voir "Autres pièces".

## 6. Placer le tuyau de vidange dans le tuyau rigide de rejet à l'égout

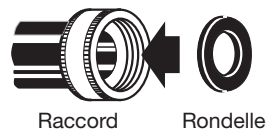


Placer le tuyau dans le tuyau rigide de rejet à l'égout (illustré sur l'image) ou par-dessus le côté de l'évier de buanderie.

**IMPORTANT :** 4,5" (114 mm) du tuyau de vidange doit être à l'intérieur du tuyau de rejet à l'égout; ne pas forcer l'excédent de tuyau dans le tuyau rigide de rejet à l'égout ni le placer dans l'évier de buanderie. On doit utiliser la bride de retenue pour tuyau de vidange.

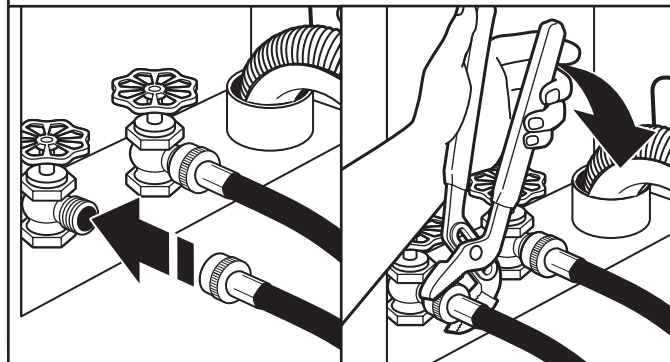
## RACCORDEMENT DES TUYAUX D'ARRIVÉE D'EAU

### 7. Insérer les rondelles plates neuves



**IMPORTANT :** Afin d'éviter toute fuite, vérifier que les tuyaux d'arrivée d'eau comportent des rondelles d'étanchéité plates aux deux extrémités. La laveuse doit être raccordée aux robinets d'eau à l'aide des tuyaux d'arrivée d'eau et des rondelles neuves (non compris). Ne pas utiliser de tuyaux usagés. Ne pas utiliser de tuyaux sans installer de rondelles d'étanchéité.

### 8. Connecter les tuyaux d'arrivée d'eau aux robinets

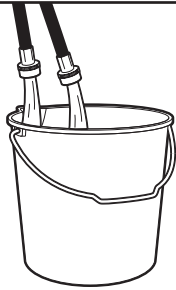


Fixer le tuyau dont l'étiquette porte la mention "hot" (chaud) au robinet d'eau chaude. Visser le raccord à la main pour qu'il repose sur la rondelle. Serrer les raccords de deux tiers de tour supplémentaires à l'aide d'une pince. Répéter cette étape avec le tuyau portant la mention "cold" (froide) pour le robinet d'eau froide. Les deux tuyaux doivent être raccordés pour que la laveuse fonctionne correctement.

**IMPORTANT :** Ne pas serrer excessivement ni utiliser de ruban adhésif ou de dispositifs d'étanchéité lors de la fixation des robinets ou de la laveuse. Cela pourrait entraîner des dommages.

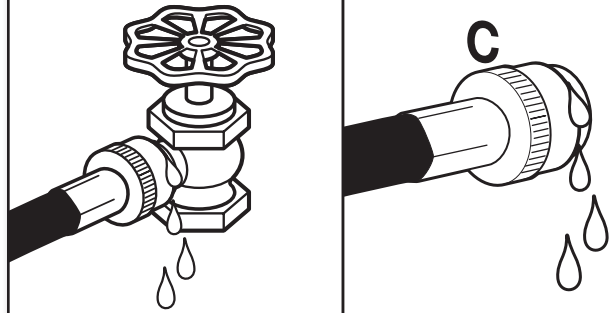
**CONSEIL UTILE :** Repérer quel tuyau est raccordé à l'eau chaude pour permettre une fixation correcte des tuyaux à la laveuse. Dans la plupart des configurations standard, les tuyaux se croisent lorsque fixés correctement.

## 9. Purger les canalisations d'eau



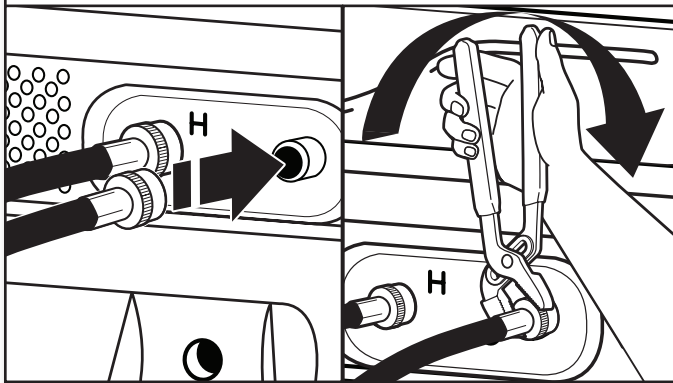
Faire couler pendant quelques secondes l'eau par les tuyaux dans l'évier de buanderie, le tuyau rigide de rejet à l'égout ou le seau pendant quelques secondes pour éviter toute obstruction. On doit laisser couler l'eau jusqu'à ce qu'elle soit limpide.

## 11. Rechercher les fuites éventuelles



Ouvrir lentement les robinets d'eau pour vérifier qu'il n'y a pas de fuite. Une petite quantité d'eau peut entrer dans la laveuse. Elle s'évacuera plus tard.

## 10. Connecter les tuyaux d'arrivée d'eau à la laveuse



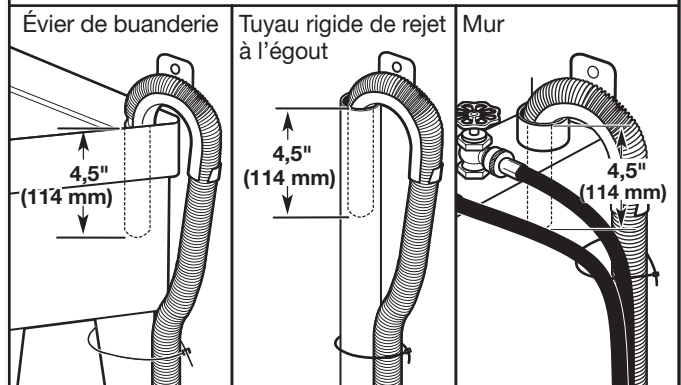
Fixer le tuyau d'eau chaude au robinet d'arrivée d'eau chaude. Visser le raccord à la main jusqu'à ce qu'il soit bien serré. Serrer les raccords de deux tiers de tour supplémentaires à l'aide d'une pince. Répéter pour le robinet d'eau froide.

**IMPORTANT :** Ne pas serrer excessivement ni utiliser de ruban adhésif ou de dispositifs d'étanchéité sur la valve lors de la fixation des robinets ou de la laveuse. Cela pourrait entraîner des dommages.

**REMARQUE :** Pour réduire le risque de défaillance des tuyaux, remplacer les tuyaux tous les 5 ans. Inscrire la date d'installation ou de remplacement des tuyaux pour référence ultérieure.

- Inspecter périodiquement les tuyaux et les remplacer en cas de renflement, de déformation, de coupure, d'usure ou si une fuite se manifeste.

## 12. Immobiliser le tuyau de vidange

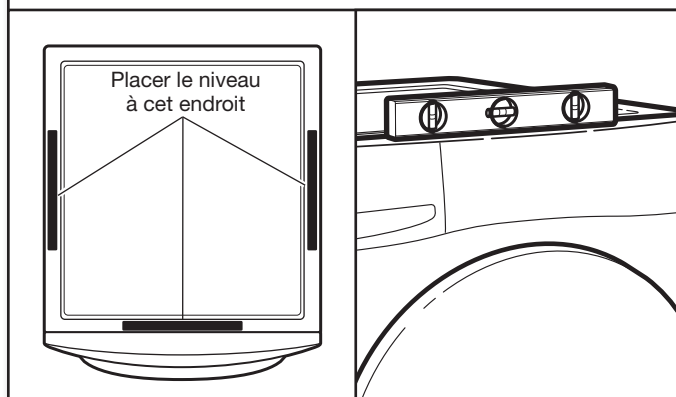


Fixer le tuyau de vidange au pied de l'évier de buanderie, au tuyau de rejet à l'égout ou aux tuyaux d'arrivée d'eau pour le tuyau de rejet à l'égout mural avec l'attache-câble.

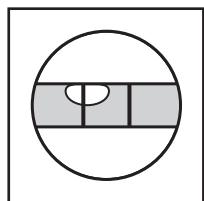
## ÉTABLISSEMENT DE L'APLOMB DE LA LAVEUSE

**IMPORTANT :** L'établissement correct de l'aplomb de la laveuse permet de réduire les nuisances sonores et de limiter les vibrations.

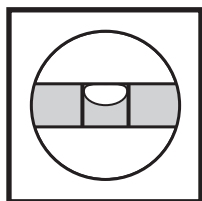
### 13. Contrôler l'aplomb de la laveuse



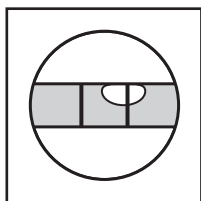
Enlever le morceau de carton placé sous la laveuse. Placer un niveau sur les bords supérieurs de la laveuse en contrôlant chaque côté et l'avant. Si elle n'est pas d'aplomb, faire basculer la laveuse et régler les pieds vers le haut ou vers le bas tel qu'indiqué dans les étapes 15 et 16, et recommencer si nécessaire.



Pas d'aplomb

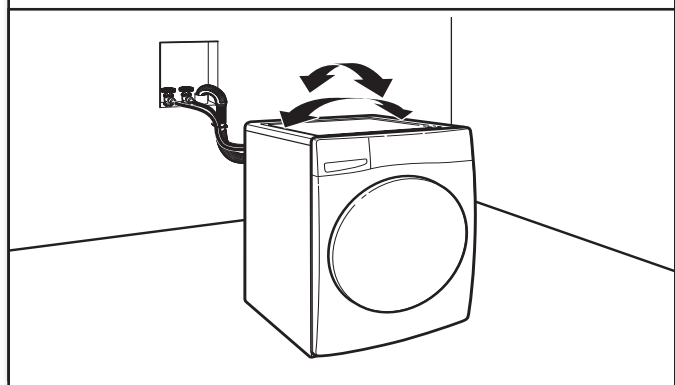


APLOMB



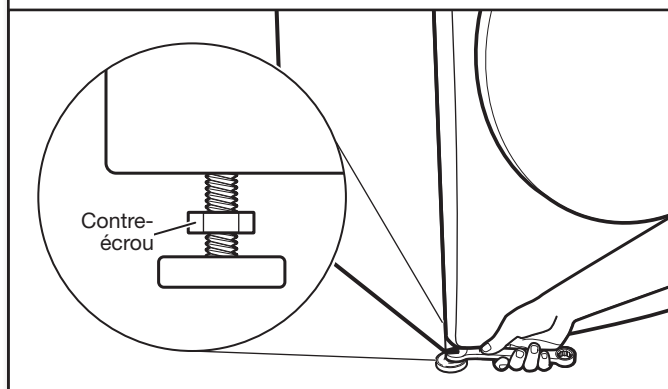
Pas d'aplomb

### 14. Faire basculer la laveuse pour tester la stabilité des pieds sur le plancher



Saisir la laveuse par le dessus et la faire basculer d'avant en arrière tout en s'assurant que les quatre pieds sont en contact ferme avec le plancher. Faire de nouveau basculer la laveuse, transversalement. Si la laveuse bascule, passer à l'étape 15 et ajuster les pieds de nivellement. Si les quatre pieds sont en contact ferme avec le plancher, passer à l'étape 16.

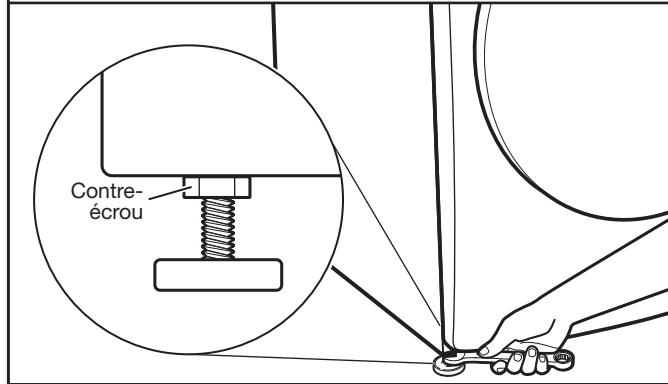
### 15. Ajuster les pieds de nivellement



Si la laveuse n'est pas d'aplomb, utiliser une clé plate ou une clé à molette de 9/16" (14 mm) pour tourner les contre-écrous dans le sens horaire jusqu'à ce qu'ils se trouvent à environ 1/2" (13 mm) de la caisse de la laveuse. Tourner ensuite le pied de nivellement dans le sens horaire pour abaisser la laveuse ou antihoraire pour la soulever. Ne dépassez pas 2" (50 mm) du bas du pied au bas de l'armoire. Contrôler à nouveau l'aplomb de la laveuse et vérifier que les quatre pieds sont bien au contact du plancher. Répéter au besoin.

**CONSEIL UTILE :** Il serait judicieux de soulever l'avant de la laveuse d'environ 4" (102 mm) à l'aide d'une cale en bois ou d'un objet similaire qui soutiendra le poids de la laveuse.

### 16. Serrer les pieds de nivellement



Une fois que la laveuse est d'aplomb et que les quatre pieds sont bien au contact du plancher, de la laveuse établi, utiliser une clé plate ou une clé à molette de 9/16" (14 mm) pour tourner les contre-écrous sur les pieds de nivellement dans le sens anti-horaire et les serrer fermement contre la caisse de la laveuse.

**CONSEIL UTILE :** Il serait judicieux d'étayer la laveuse à l'aide d'une cale en bois.

## **⚠ AVERTISSEMENT**



### **Risque de choc électrique**

**Brancher sur une prise à 3 alvéoles reliée à la terre.**

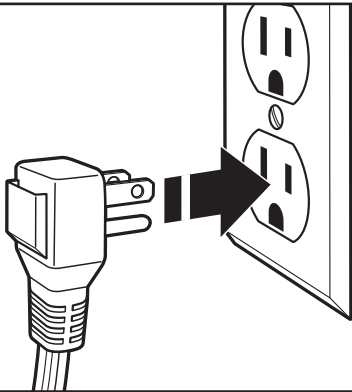
**Ne pas enlever la broche de liaison à la terre.**

**Ne pas utiliser un adaptateur.**

**Ne pas utiliser un câble de rallonge.**

**Le non-respect de ces instructions peut causer un décès, un incendie ou un choc électrique.**

## **17. Brancher sur une prise à 3 alvéoles reliée à la terre**



## **LISTE DE VÉRIFICATION POUR L'ACHÈVEMENT DE L'INSTALLATION**

- Consulter les spécifications électriques. S'assurer de disposer d'une source d'électricité appropriée et d'une liaison à la terre conforme à la méthode recommandée.
- Vérifier que toutes les pièces sont maintenant installées. S'il reste une pièce, passer en revue les différentes étapes pour découvrir laquelle aurait été oubliée.
- Vérifier la présence de tous les outils.
- Vérifier que tout le matériel d'expédition a été retiré de l'arrière de la laveuse.
- Vérifier que les tuyaux d'arrivée d'eau chaude et d'eau froide sont bien fixés et que les robinets d'eau sont ouverts.
- Vérifier qu'il n'y a pas de fuite autour des robinets et des tuyaux d'arrivée d'eau.
- Ôter la pellicule protectrice de la console et tout ruban adhésif resté sur la laveuse.
- Vérifier que la laveuse est branchée sur une prise de courant à 3 alvéoles reliée à la terre.
- Éliminer/recycler tous les matériaux d'emballage.
- Lire "Utilisation de la laveuse" dans le Guide d'utilisation et d'entretien de la laveuse.
- Pour tester la laveuse et la nettoyer, appuyer sur POWER (mise sous tension), sélectionner le programme Quick (rapide) et la faire fonctionner sans vêtements. Utiliser uniquement un détergent HE. Utiliser la moitié de la quantité recommandée par le fabricant pour une charge de taille moyenne.











# WHIRLPOOL® DRYER RACK OFFER

A dryer rack is included as part of your purchase of this front load washer match dryer. It will ship separately upon completion of the steps below, at no additional cost:

1. Register your dryer online at [register.whirlpool.com](https://register.whirlpool.com). Be sure to enter a valid email address.
2. Once registered, you will receive an email with a unique promo code to be used at checkout on the Whirlpool Accessories page.

**Dryer Rack Part # W10322470**



**Whirlpool®**

*This offer is valid in the U.S. & Canada only.*

©2020 Whirlpool. All rights reserved. Insert No. W11476230A. 09/20. WPX9180

# WHIRLPOOL® OFFRE DE GRILLE DE SÉCHEUSE

Une grille de séchage est incluse dans le cadre de votre achat de cette laveuse à chargement frontal. Elle sera expédiée séparément après avoir complété les étapes ci-dessous, sans frais supplémentaires :

1. Enregistrez votre sècheuse en ligne sur [register.whirlpool.com](https://register.whirlpool.com). Veuillez entrer une adresse de courriel valide.
2. Après l'enregistrement, vous recevrez un courriel avec un code promotionnel unique à utiliser lors du paiement sur la page Accessoires Whirlpool.

**Grille de sècheuse pièce no W10322470**



**Whirlpool®**

*Cette offre n'est valable qu'aux États-Unis et au Canada.*

©2020 Whirlpool. Tous droits réservés. No d'insertion W11476230A. 09/20. WPX9180

# 15.5" PEDESTAL INSTALLATION INSTRUCTIONS

For use only with front load washers and dryers

## INSTRUCTIONS D'INSTALLATION DU PIÉDESTAL DE 15,5"

Pour utilisation avec les produits suivants seulement  
laveuses et sècheuses à chargement par l'avant

Para una versión de estas instrucciones en español, visite [www.whirlpool.com](http://www.whirlpool.com)

### Table of Contents

PEDESTAL SAFETY ..... 1  
 INSTALLATION REQUIREMENTS.....2  
     Location Requirements .....2  
     Tools and Parts.....2  
 UNPACKING THE PEDESTAL .....3  
 BEFORE INSTALLING THE PEDESTAL.....3  
 INSTALLING THE PEDESTAL.....4  
 COMPLETE THE INSTALLATION.....7

### Table des matières

SÉCURITÉ DU PIÉDESTAL .....9  
 EXIGENCES D'INSTALLATION .....9  
     Exigences d'emplacement.....9  
     Outillage et pièces .....9  
 INSTRUCTIONS D'INSTALLATION ..... 10  
 AVANT L'INSTALLATION DU PIÉDESTAL ..... 11  
 INSTALLATION DU PIÉDESTAL ..... 12  
 ACHEVER L'INSTALLATION..... 15

#### INSTALLATION NOTES

Date of purchase: \_\_\_\_\_  
 Date of installation: \_\_\_\_\_  
 Installer: \_\_\_\_\_  
 Model number: \_\_\_\_\_  
 Serial number: \_\_\_\_\_

#### NOTES CONCERNANT L'INSTALLATION

Date d'achat : \_\_\_\_\_  
 Date d'installation : \_\_\_\_\_  
 Installateur : \_\_\_\_\_  
 Numéro de modèle : \_\_\_\_\_  
 Numéro de série : \_\_\_\_\_

## PEDESTAL SAFETY

### Your safety and the safety of others are very important.

We have provided many important safety messages in this manual and on your appliance. Always read and obey all safety messages.



This is the safety alert symbol.

This symbol alerts you to potential hazards that can kill or hurt you and others.

All safety messages will follow the safety alert symbol and either the word "DANGER" or "WARNING."

These words mean:

**⚠ DANGER**

You can be killed or seriously injured if you don't immediately follow instructions.

**⚠ WARNING**

You can be killed or seriously injured if you don't follow instructions.

All safety messages will tell you what the potential hazard is, tell you how to reduce the chance of injury, and tell you what can happen if the instructions are not followed.

# INSTALLATION REQUIREMENTS

## LOCATION REQUIREMENTS

### **! WARNING**



#### Explosion Hazard

Keep flammable materials and vapors, such as gasoline, away from dryer.

Place dryer at least 18 inches (460 mm) above the floor for a garage installation.

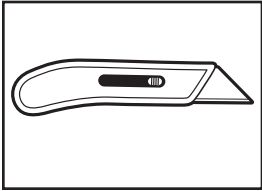
Failure to do so can result in death, explosion, or fire.

**NOTE:** If the washer/dryer and pedestal assembly are located in a garage, 3" (76 mm) must be added under the pedestal so that the washer/dryer is 18" (458 mm) above the garage floor.

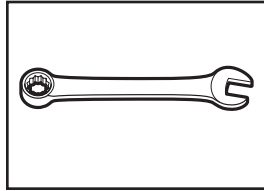
## TOOLS AND PARTS

Gather the required tools and parts before starting installation.

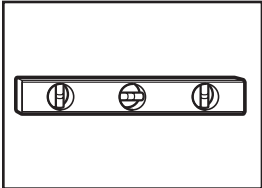
### Tools Needed:



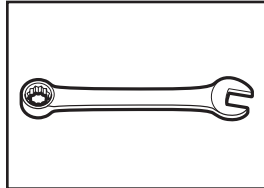
Utility knife



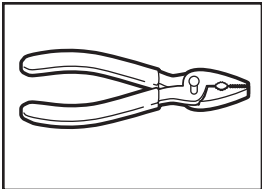
1/4" hex-head ratchet or open-end wrench



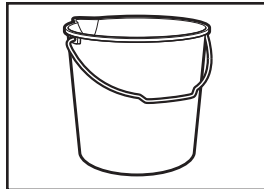
Level



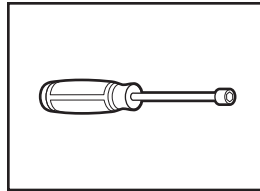
9/16" open-end wrench



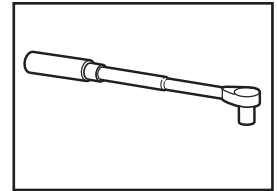
Pliers or slip-joint pliers



Bucket

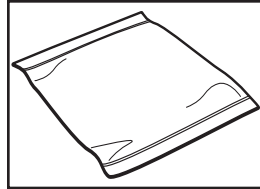


1/4" nut driver

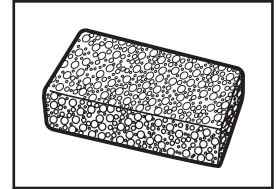


5/16" hex-head ratchet or nut driver

### Additional Items Needed:

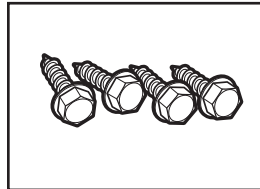


Towel

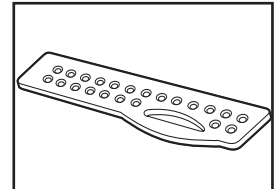


Sponge

### Parts Supplied:



Four #12 x 3/4" hex-head sheet metal screws



Drawer divider

# UNPACKING THE PEDESTAL

## Preparing the pedestal for installation

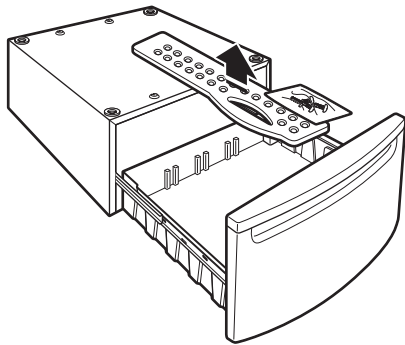
### **⚠ WARNING**

#### **Excessive Weight Hazard**

**Use two or more people to move and install pedestal.  
Failure to do so can result in back or other injury.**

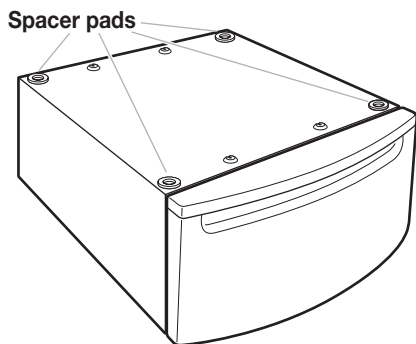
**IMPORTANT:** Set the pedestal box aside for use during installation.

## 1. Empty pedestal drawer



Open the pedestal drawer as far as possible and remove the contents. The package contains four #12 x 3/4" hex-head sheet metal screws and a drawer divider.

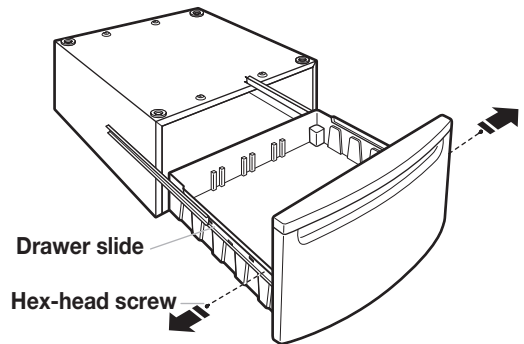
## 2. Locate spacer pads



The four spacer pads are installed on the top of the pedestal. These pads reduce vibration between the pedestal and the washer/dryer.

**NOTE:** If your washer/dryer has feet installed, remove them.

## 3. Remove pedestal drawer



Using a 1/4" nut driver, remove the hex-head screws from both drawer slides and save screws. Remove the drawer from the slides and set aside. Push the slides back into the pedestal.

## BEFORE INSTALLING PEDESTAL

**IMPORTANT:** If your washer and dryer are already installed, they must be uninstalled.

### Uninstalling your washer

To avoid possible damage to the washer, the transport bolts on the back of the washer must be in place before installing the pedestal. For more information on transport bolts see, "Remove Transport System" in washer Use and Care Guide.

### **⚠ WARNING**

#### **Excessive Weight Hazard**

**Use two or more people to move and uninstall washer.  
Failure to do so can result in back or other injury.**

**NOTE:** If the washer is to be transported, call your local service center. To avoid suspension and structural damage, your washer must be properly set up for relocation by a certified technician.

1. Turn off the hot and cold water faucets.
2. Unplug the power supply cord.
3. Slowly loosen the fill hoses at the faucets to relieve the water pressure. Use a sponge or towel to absorb the released water.
4. Remove the "HOT" and "COLD" fill hoses from the back of the washer. Drain the water from the hoses into a bucket.
5. Remove the drain hose from the standpipe or laundry tub and drain any water remaining in the hose into a bucket.
6. Pull the washer away from the wall so that you will have enough space for the installation.

## Uninstalling your electric dryer

### **⚠ WARNING**



#### **Electrical Shock Hazard**

**Disconnect power before servicing.**  
**Replace all parts and panels before operating.**  
**Failure to do so can result in death or electrical shock.**

### **⚠ WARNING**

#### **Excessive Weight Hazard**

**Use two or more people to move and uninstall dryer.**  
**Failure to do so can result in back or other injury.**

1. Unplug the power supply cord or disconnect wiring if dryer is direct wired.
2. Pull the dryer away from the wall enough to loosen the vent clamp. Loosen the clamp and gently remove the exhaust vent from the dryer exhaust outlet.
3. Pull the dryer away from the wall so that you will have enough space for the installation.

## Uninstalling your gas dryer

### **⚠ WARNING**

#### **Excessive Weight Hazard**

**Use two or more people to move and uninstall dryer.**  
**Failure to do so can result in back or other injury.**

1. Unplug the power supply cord.
2. Turn off the gas supply.
3. Pull the dryer away from the wall enough to loosen the vent clamp. Loosen the clamp and gently remove the exhaust vent from the dryer exhaust outlet.
4. Disconnect the flexible gas supply line from the dryer. Put a piece of tape over the open ends of the gas line connection fittings.
5. Pull the dryer away from the wall so that you will have enough space for the installation.

## Installation of new washer/dryer

### **⚠ WARNING**

#### **Excessive Weight Hazard**

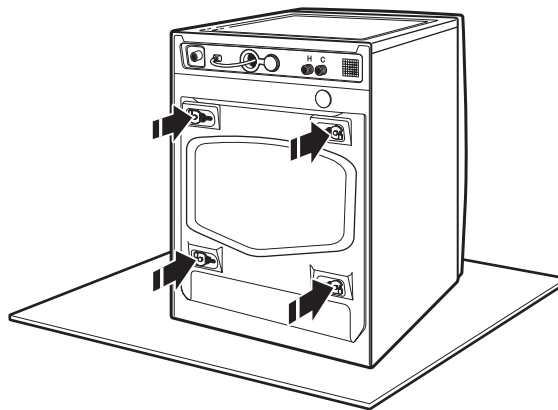
**Use two or more people to move and install washer/dryer.**  
**Failure to do so can result in back or other injury.**

1. Unpack the washer/dryer and move close to the intended installation location.

## INSTALLING THE PEDESTAL

### Installing the pedestal on the washer

#### Confirm transport bolts are in place



Locate the transport bolts on rear of washer. Transport bolts must remain in washer before pedestal can be installed. For more information on transport bolts see, "Remove Transport System" in washer Use and Care Guide.

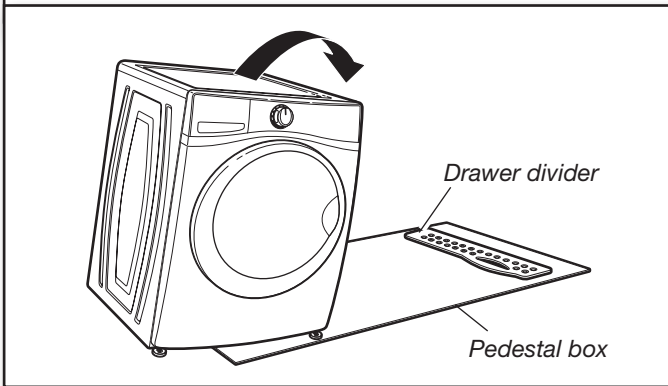
# ⚠ WARNING

## Excessive Weight Hazard

Use two or more people to move and install washer/dryer.

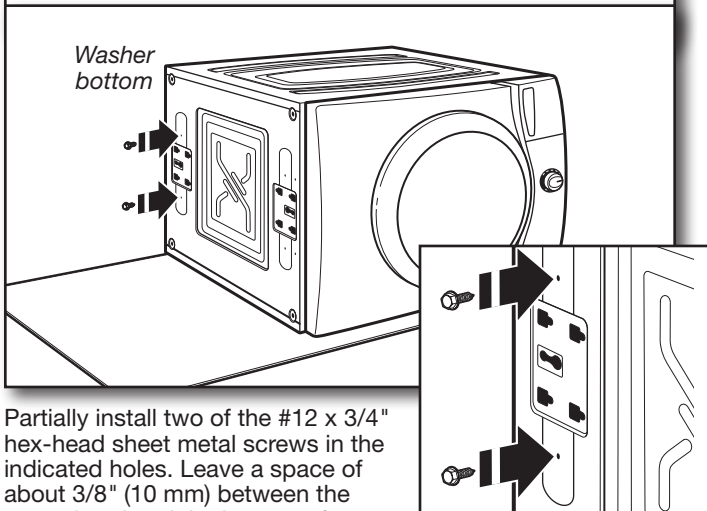
Failure to do so can result in back or other injury.

### 1. Place washer on its side



To avoid floor damage and ease installation and handling, unfold the empty pedestal box flat and place it next to the washer. Position the drawer divider so that it will be near the top of the washer, as shown. Gently tip the washer on its side so the washer is resting on the drawer divider.

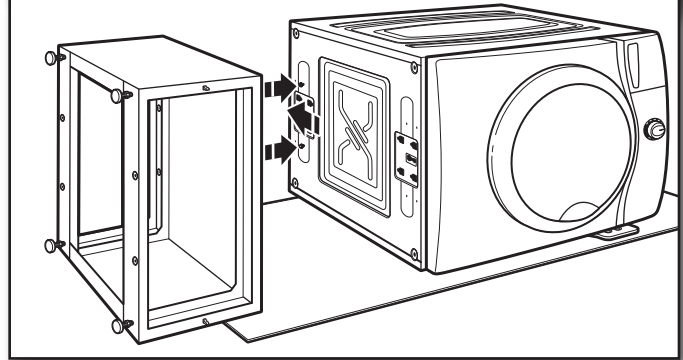
### 2. Prepare the washer



Partially install two of the #12 x 3/4" hex-head sheet metal screws in the indicated holes. Leave a space of about 3/8" (10 mm) between the screw head and the bottom of the washer.

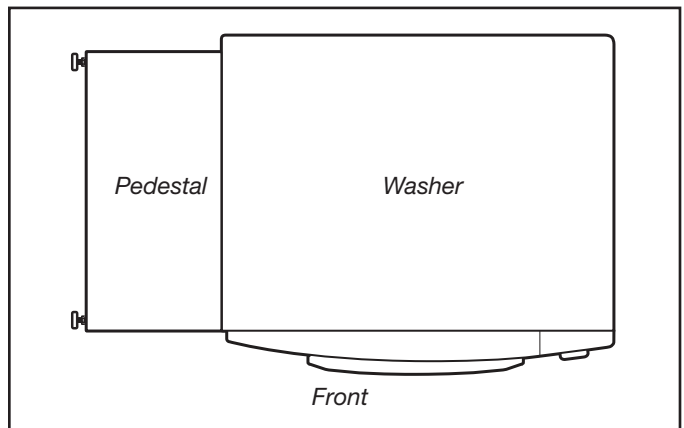
**NOTE:** If your washer has leveling feet installed, remove them.

### 3. Attach pedestal to washer



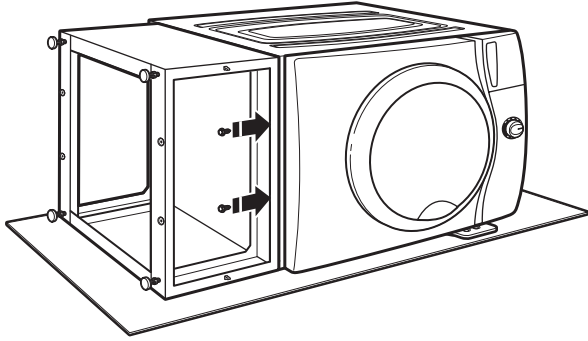
Move the pedestal against the washer bottom. The front of the pedestal cabinet should align with the washer cabinet as shown below.

Slide the pedestal's keyhole slots over the lower two partially installed screws.



View from above

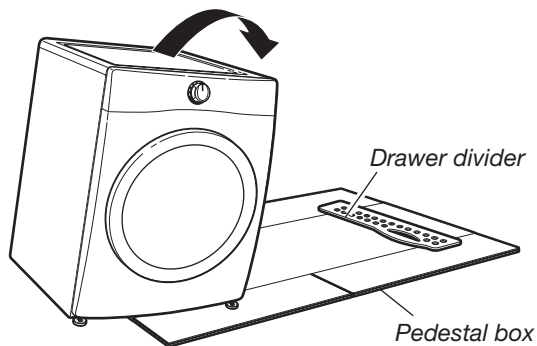
## 4. Secure pedestal to washer



Position the pedestal toward the front of the washer and install the two remaining hex-head sheet metal screws. Do not tighten completely. Now proceed to "Complete the pedestal installation".

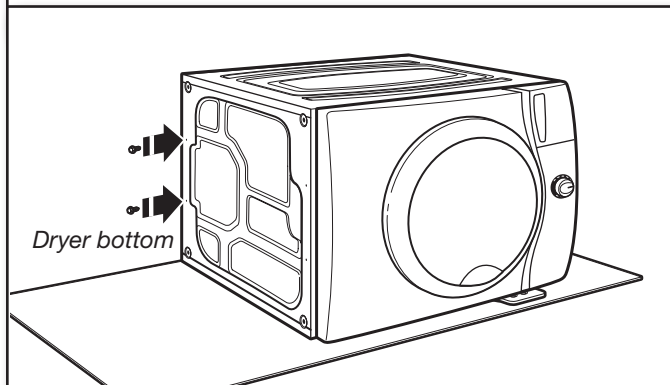
### Installing the pedestal on the dryer

## 1. Place dryer on its side



To avoid floor damage and ease installation and handling, unfold the empty pedestal box flat and place it next to the dryer. Position the drawer divider so that it will be near the top of the dryer, as shown. Gently tip the dryer on its side so the dryer is resting on the drawer divider.

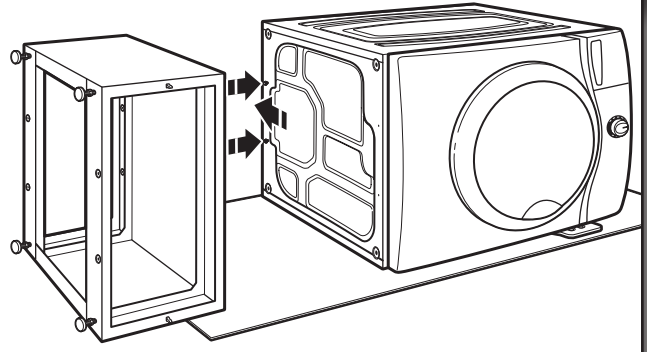
## 2. Prepare the dryer



Partially install two of the #12 x 3/4" hex-head sheet metal screws in the indicated holes. Leave a space of about 3/8" (10 mm) between the screw head and the bottom of the dryer.

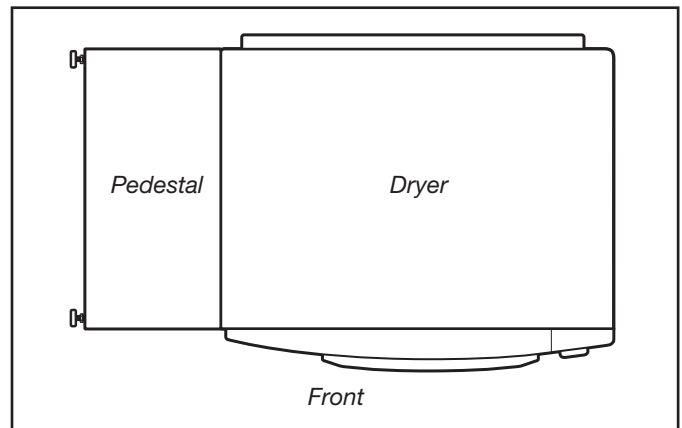
**NOTE:** If your dryer has leveling feet installed, remove them. Do not install the feet that came with the new dryer.

## 3. Attach pedestal to dryer



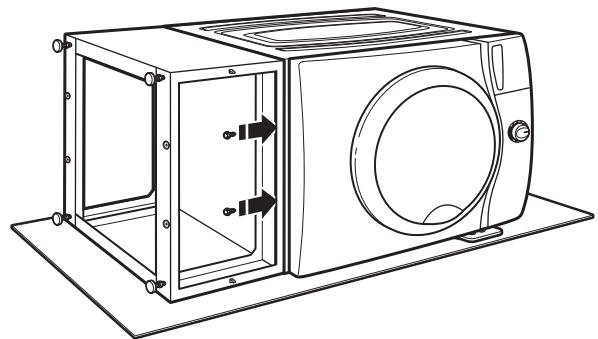
Move the pedestal against the dryer bottom. The front of the pedestal cabinet should align with the dryer cabinet as shown below.

Slide the pedestal's keyhole slots over the lower two partially installed screws.



View from above

## 4. Secure pedestal to dryer

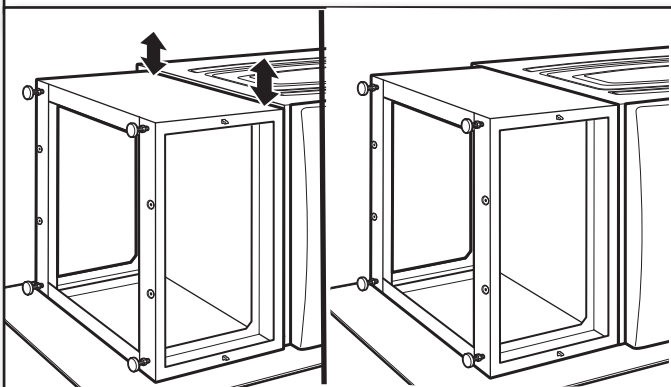


Position the pedestal toward the front of the dryer and install the two remaining hex-head sheet metal screws. Do not tighten completely. Now proceed to "Complete the pedestal installation".



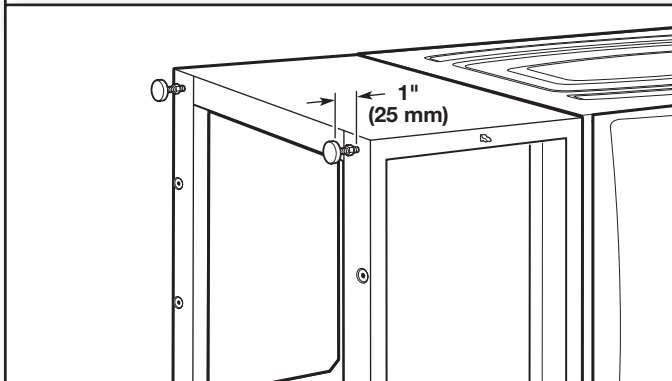
## COMPLETE THE INSTALLATION

### 1. Align sides of pedestal



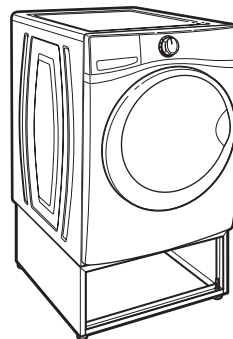
Align the sides of the pedestal so that they are even with the sides of the washer/dryer. Reach inside the pedestal opening and securely tighten all four pedestal screws.

### 2. Prepare pedestal feet



Using a 1/4" hex head ratchet or open-end wrench, lower the feet approximately 1" (25 mm) away from the bottom of the pedestal.

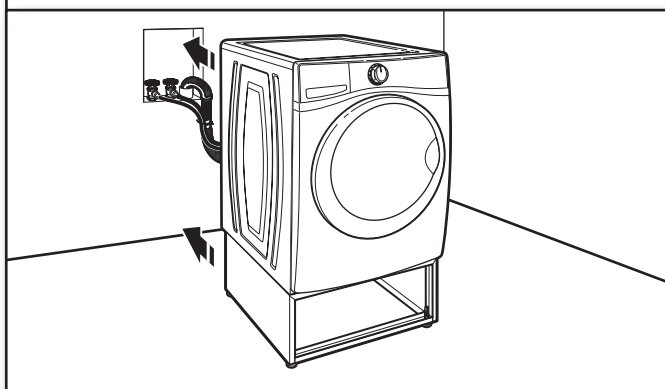
### 3. Stand the washer/dryer upright



Tip the washer/dryer back to its upright position. Remove any remaining packaging material. Set the pedestal box aside for use if installing another pedestal. Once both the washer and dryer have been installed, dispose of/recycle all packaging material.

### Level the washer/dryer

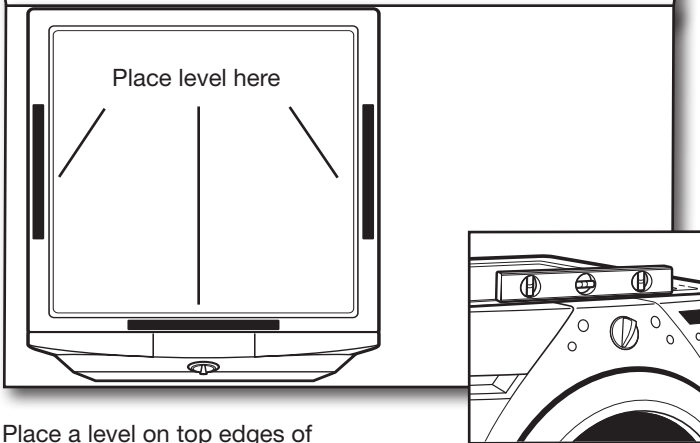
#### 1. Move close to final location



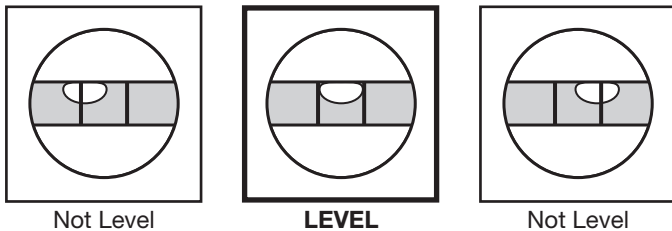
Follow the installation instructions that came with your model to finish installing or reinstalling your washer/dryer (i.e., hoses, vents, etc.).

**NOTE:** Be sure to remove the transport bolts from the back of the washer.

## 2. Check levelness of washer/dryer

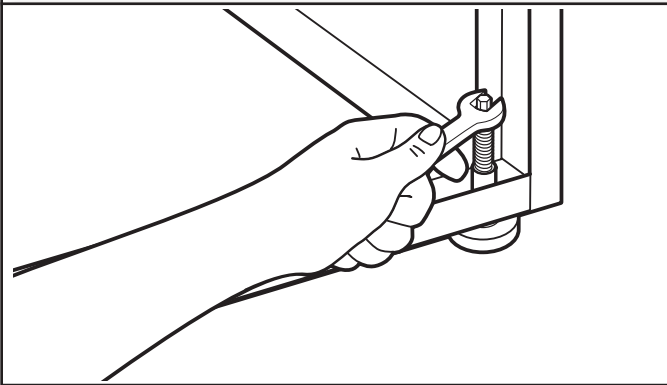


Place a level on top edges of washer/dryer, checking each side and front. Rock washer/dryer back and forth to make sure all four feet make solid contact with floor.



If not level, adjust pedestal feet up or down, repeating as necessary.

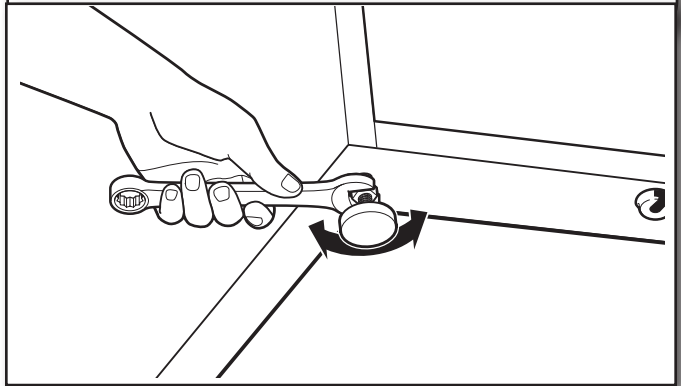
## 3. Adjust pedestal feet



Locate the 1/4" hex-head screws on the top of each pedestal foot. Reach inside the pedestal and use a 1/4" hex-head ratchet or open-end wrench to adjust the feet up or down as needed, to level the washer/dryer.

**NOTE:** Make sure all four pedestal feet are in solid contact with the floor.

## 4. Securely tighten jam nuts

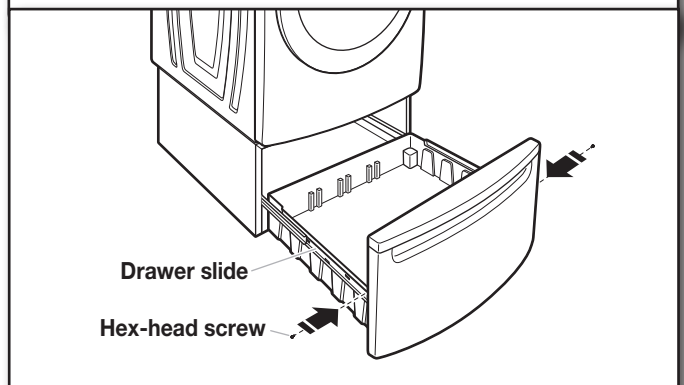


When the washer/dryer is level, use a 9/16" open-end wrench to securely tighten all four jam nuts against the pedestal.

**IMPORTANT:** The jam nuts must be tightened to avoid vibration.

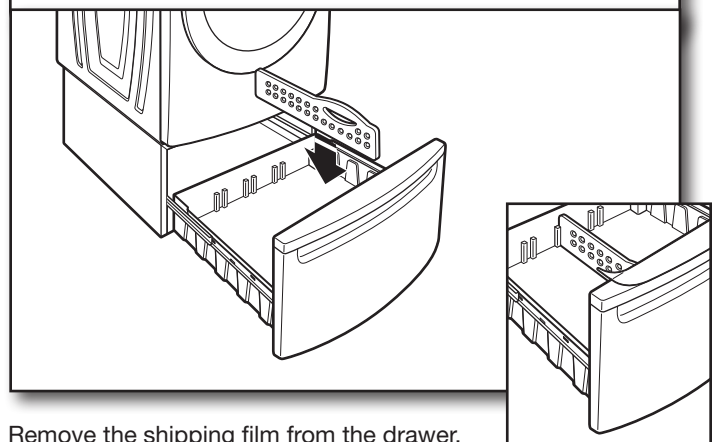
### Reinstall pedestal drawer

## 1. Reassemble pedestal drawer



Pull both drawer slides out and reassemble the drawer to the drawer slides with the two hex-head screws.

## 2. Place drawer divider in drawer



Remove the shipping film from the drawer. Place the divider in the drawer at the desired location. Close the drawer.

**NOTE:** Use of the divider is optional.

# SÉCURITÉ DU PIÉDESTAL

## Votre sécurité et celle des autres est très importante.

Nous donnons de nombreux messages de sécurité importants dans ce manuel et sur votre appareil ménager. Assurez-vous de toujours lire tous les messages de sécurité et de vous y conformer.



Voici le symbole d'alerte de sécurité.

Ce symbole d'alerte de sécurité vous signale les dangers potentiels de décès et de blessures graves à vous et à d'autres.

Tous les messages de sécurité suivront le symbole d'alerte de sécurité et le mot "DANGER" ou "AVERTISSEMENT". Ces mots signifient :

**⚠ DANGER**

Risque possible de décès ou de blessure grave si vous ne suivez pas immédiatement les instructions.

**⚠ AVERTISSEMENT**

Risque possible de décès ou de blessure grave si vous ne suivez pas les instructions.

Tous les messages de sécurité vous diront quel est le danger potentiel et vous disent comment réduire le risque de blessure et ce qui peut se produire en cas de non-respect des instructions.

## EXIGENCES D'INSTALLATION

### EXIGENCES D'EMPLACEMENT

**⚠ AVERTISSEMENT**



#### Risque d'explosion

Garder les matières et les vapeurs inflammables, telle que l'essence, loin de la sècheuse.

Placer la sècheuse au moins 460 mm (18 po) au-dessus du plancher pour une installation dans un garage.

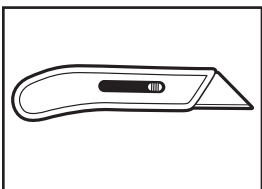
Le non-respect de ces instructions peut causer un décès, une explosion ou un incendie.

**REMARQUE :** Si l'ensemble de laveuse/sècheuse et du piédestal se trouve dans un garage, il faut ajouter 3" (76 mm) en dessous du piédestal pour que l'ensemble de laveuse/sècheuse soit à 18" (458 mm) au-dessus du plancher du garage.

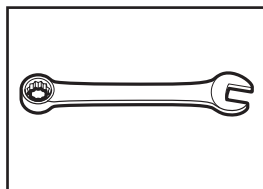
### OUTILLAGE ET PIÈCES

Rassembler les outils et pièces nécessaires avant de commencer l'installation.

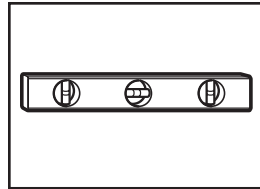
#### Outillage nécessaire :



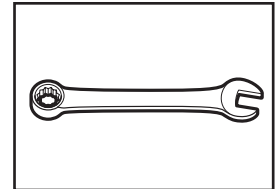
Couteau utilitaire



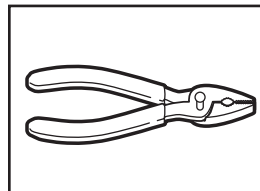
Clé à cliquet à tête hexagonale de 1/4" ou clé plate



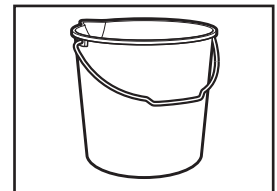
Niveau



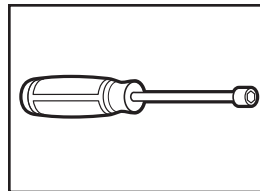
Clé plate 9/16"



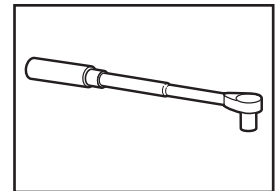
Pince ou pince articulée



Seau

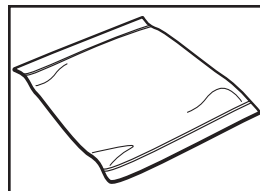


Tourne-écrou de 1/4"

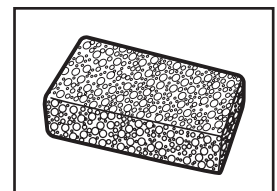


Cliquet ou tourne-écrou à tête hexagonale de 5/16"

#### Autres articles nécessaires :

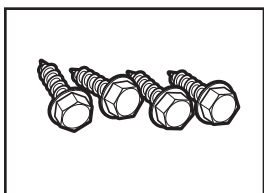


Serviette

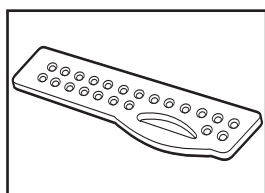


Éponge

## Pièces fournies :



Quatre vis de tôlerie n°  
12 x 3/4" à tête hexagonale



Cloison du tiroir

## DESEMBALLAGE DU PIÉDESTAL

### Préparation du piédestal pour l'installation

## **⚠** AVERTISSEMENT

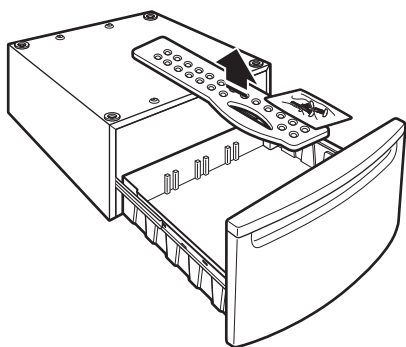
### Risque du poids excessif

Utiliser deux ou plus de personnes pour déplacer et installer le piédestal.

Le non-respect de cette instruction peut causer une blessure au dos ou d'autre blessure.

**IMPORTANT:** Mettre la boîte du piédestal de côté pour pouvoir l'utiliser pendant l'installation.

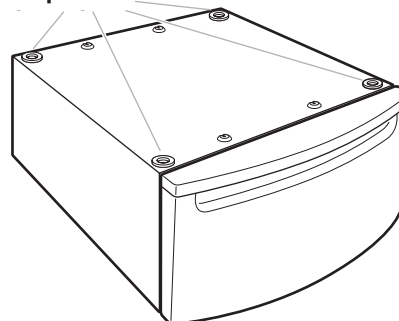
## 1. Vider le tiroir du piédestal



Ouvrir le tiroir du piédestal aussi loin que possible et vider son contenu. L'emballage contient quatre vis de tôlerie à tête hexagonale n° 12 x 3/4" et une cloison du tiroir.

## 2. Identifier les cales d'espacement

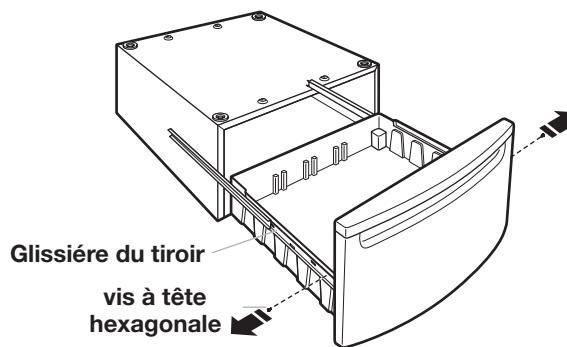
### Cales d'espacement



Les quatre cales d'espacement sont installées sur le dessus du piédestal. Les cales réduisent les vibrations entre le piédestal et la laveuse/sécheuse.

**REMARQUE :** Si des pieds sont installés sur la laveuse/sécheuse, les retirer.

## 3. Retirer le tiroir du piédestal



À l'aide d'un tourne-écrou de 1/4", retirer les vis à tête hexagonale des deux glissières de tiroir et conserver les vis. Retirer le tiroir des glissières et le mettre de côté. Réinsérer les glissières dans le piédestal.

## AVANT L'INSTALLATION DU PIÉDESTAL

**IMPORTANT:** Si l'ensemble de laveuse et sècheuse est déjà installé, on doit le désinstaller.

### Désinstallation de la laveuse

Afin d'éviter d'endommager la laveuse, les boulons de transport à l'arrière de l'appareil doivent être en place avant l'installation du piédestal. Pour plus d'informations concernant les boulons de transport, voir "Élimination des accessoires de transport" dans le Guide d'utilisation et d'entretien de la laveuse.

## ⚠ AVERTISSEMENT

### Risque du poids excessif

**Utiliser deux ou plus de personnes pour déplacer et désinstaller la laveuse.**

**Le non-respect de cette instruction peut causer une blessure au dos ou d'autre blessure.**

**REMARQUE :** Si la laveuse doit être transportée, appeler le centre de service local. Afin d'éviter tout endommagement de la suspension et de la structure, votre laveuse doit d'abord être correctement installé pour être ensuite réinstallé par un technicien certifié.

1. Fermer les robinets d'arrivée d'eau chaude et d'eau froide.
2. Débrancher le cordon d'alimentation électrique.
3. Desserrer doucement les tuyaux d'alimentation sur les robinets pour libérer la pression de l'eau. Utiliser une éponge ou une serviette pour absorber l'eau libérée.
4. Déconnecter les tuyaux d'arrivée d'eau chaude et d'eau froide portant les mentions "HOT" (chaud) et "COLD" (froid) de l'arrière de la laveuse. Laisser l'eau dans les tuyaux s'écouler dans un seau.
5. Enlever le tuyau de vidange du tuyau de rejet à l'égout ou de l'évier de buanderie et vidanger l'eau qui reste dans un seau.
6. Dégager la laveuse du mur pour avoir suffisamment d'espace pour l'installation.

### Désinstallation de la sècheuse électrique

## ⚠ AVERTISSEMENT



### Risque de choc électrique

**Déconnecter la source de courant électrique avant l'entretien.**

**Replacer pièces et panneaux avant de faire la remise en marche.**

**Le non-respect de ces instructions peut causer un décès ou un choc électrique.**

## ⚠ AVERTISSEMENT

### Risque du poids excessif

**Utiliser deux ou plus de personnes pour déplacer et désinstaller la sècheuse.**

**Le non-respect de cette instruction peut causer une blessure au dos ou d'autre blessure.**

1. Débrancher le cordon d'alimentation électrique ou éteindre le câblage si la sècheuse comporte un raccordement direct.
2. Écarter la sècheuse du mur suffisamment pour pouvoir desserrer la bride du conduit d'évacuation. Desserrer la bride et retirer doucement le conduit d'évacuation de la bouche de décharge de la sècheuse.
3. Dégager la sècheuse du mur pour avoir suffisamment d'espace pour l'installation.

### Désinstallation de la sècheuse à gaz

## ⚠ AVERTISSEMENT

### Risque du poids excessif

**Utiliser deux ou plus de personnes pour déplacer et désinstaller la sècheuse.**

**Le non-respect de cette instruction peut causer une blessure au dos ou d'autre blessure.**

1. Débrancher le cordon d'alimentation électrique.
2. Fermer l'arrivée de gaz.
3. Écarter la sècheuse du mur suffisamment pour pouvoir desserrer la bride du conduit d'évacuation. Desserrer la bride et retirer doucement le conduit d'évacuation de la bouche de décharge de la sècheuse.
4. Déconnecter le conduit flexible de la canalisation de gaz de la sècheuse. Obturer avec du ruban adhésif l'ouverture de chaque raccord de la canalisation de gaz.
5. Dégager la sècheuse du mur pour avoir suffisamment d'espace pour l'installation.

## ⚠ AVERTISSEMENT

### Risque du poids excessif

Utiliser deux ou plus de personnes pour déplacer et installer la laveuse/sécheuse.

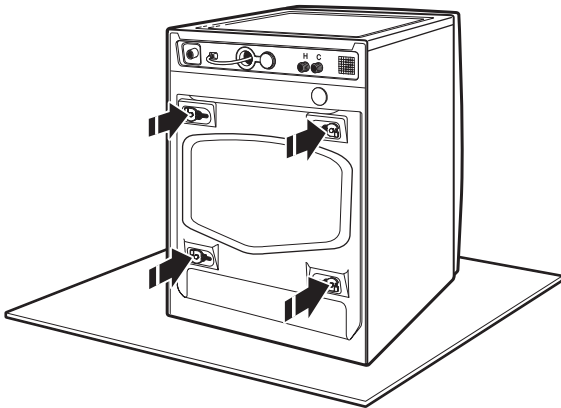
Le non-respect de cette instruction peut causer une blessure au dos ou d'autre blessure.

1. Déballez la laveuse/sécheuse et les placer à proximité de l'emplacement d'installation prévu.

## INSTALLATION DU PIÉDESTAL

### Installation du piédestal sur la laveuse

### Vérifier que les boulons de transport sont en place



Repérer les boulons de transport à l'arrière de la laveuse. Les boulons de transport doivent rester sur la laveuse avant que le piédestal puisse être installé. Pour plus d'informations concernant les boulons de transport, voir "Élimination des accessoires de transport" dans le Guide d'utilisation et d'entretien de la laveuse.

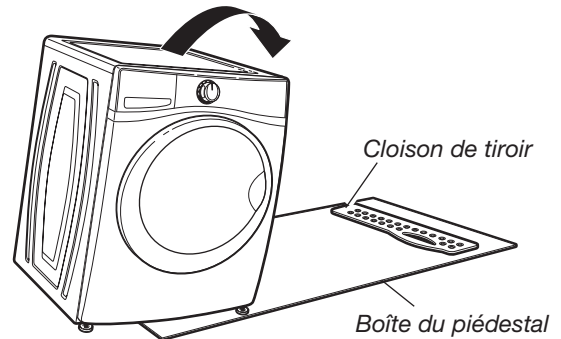
## ⚠ AVERTISSEMENT

### Risque du poids excessif

Utiliser deux ou plus de personnes pour déplacer et installer la laveuse/sécheuse.

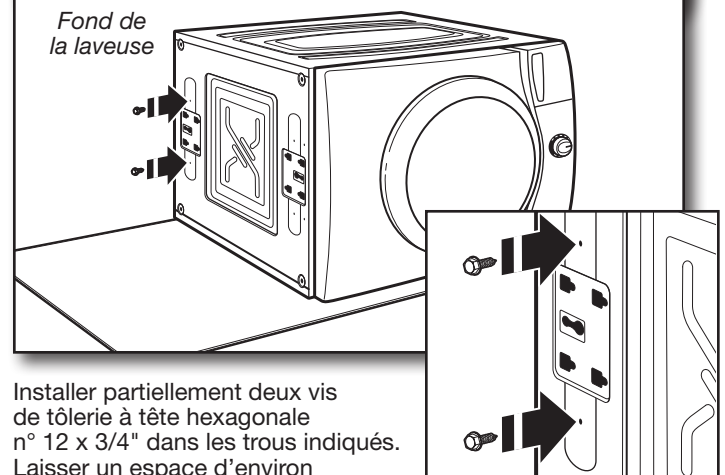
Le non-respect de cette instruction peut causer une blessure au dos ou d'autre blessure.

## 1. Placer la laveuse sur le côté



Pour éviter d'endommager le plancher et pour faciliter l'installation et la manipulation, déplier et aplatir la boîte du piédestal et la placer à proximité de la laveuse. Positionner la cloison de tiroir de façon à ce qu'elle se trouve à proximité du dessus de la laveuse, tel qu'indiqué. Mettre la laveuse sur le côté avec précaution de façon à ce qu'elle repose sur la cloison de tiroir.

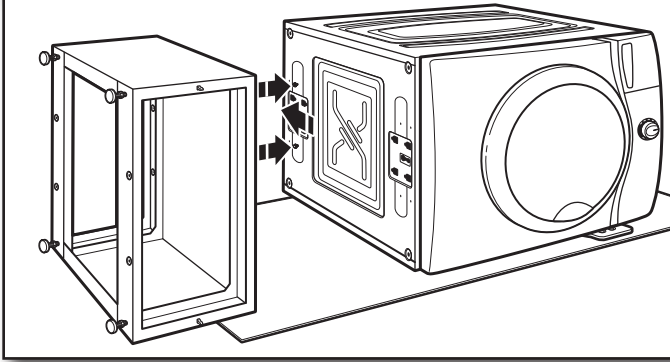
## 2. Préparation de la laveuse



Installer partiellement deux vis de tôle à tête hexagonale n° 12 x 3/4" dans les trous indiqués. Laisser un espace d'environ 3/8" (10 mm) entre la tête des vis et le fond de la laveuse.

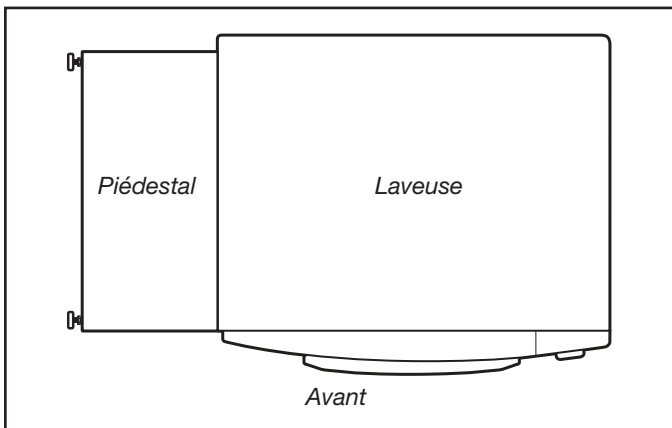
**REMARQUE :** Si des pieds de nivellement sont installés sur la laveuse, les enlever.

### 3. Fixation du piédestal à la laveuse



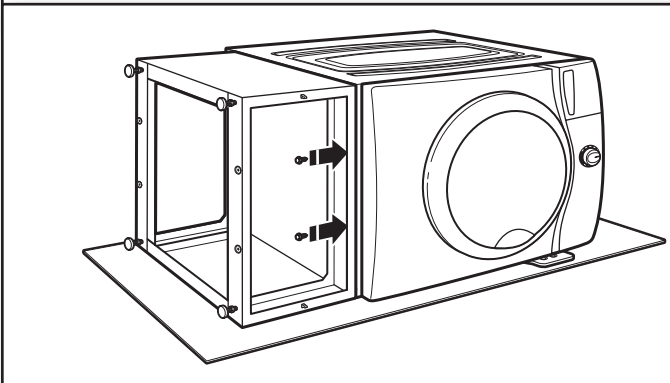
Placer le piédestal contre le fond de la laveuse. L'avant de la caisse du piédestal doit être aligné avec la caisse de la laveuse, tel qu'illustré ci-dessous.

Faire glisser les trous en poire du piédestal sur les deux vis inférieures partiellement vissées.



Vue du dessus

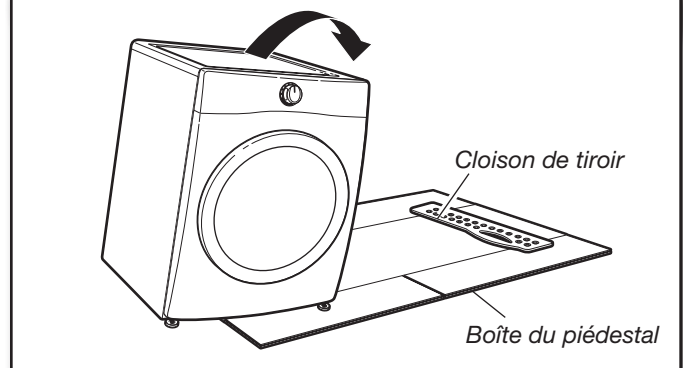
### 4. Fixation du piédestal à la laveuse



Positionner le piédestal vers l'avant de la laveuse et installer les deux vis de tôlerie à tête hexagonale restantes. Ne pas visser complètement. Passer maintenant à "Achever l'installation du piédestal".

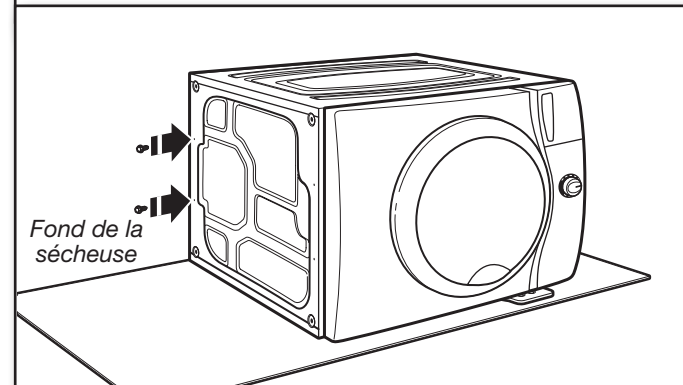
### Installation du piédestal sur la sécheuse

#### 1. Placer la sécheuse sur le côté



Pour éviter d'endommager le plancher et pour faciliter l'installation et la manipulation, déplier et aplatir la boîte du piédestal et la placer à proximité de la sécheuse. Positionner la cloison de tiroir de façon à ce qu'elle se trouve à proximité du dessus de la sécheuse, tel qu'indiqué. Mettre la sécheuse sur le côté avec précaution de façon à ce qu'elle repose sur la cloison de tiroir.

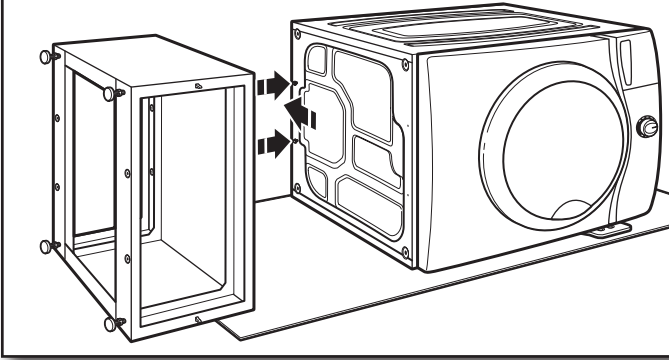
#### 2. Préparer la sécheuse



Installer partiellement deux vis de tôlerie à tête hexagonale n° 12 x 3/4" dans les trous indiqués. Laisser un espace d'environ 3/8" (10 mm) entre la tête des vis et le fond de la sécheuse.

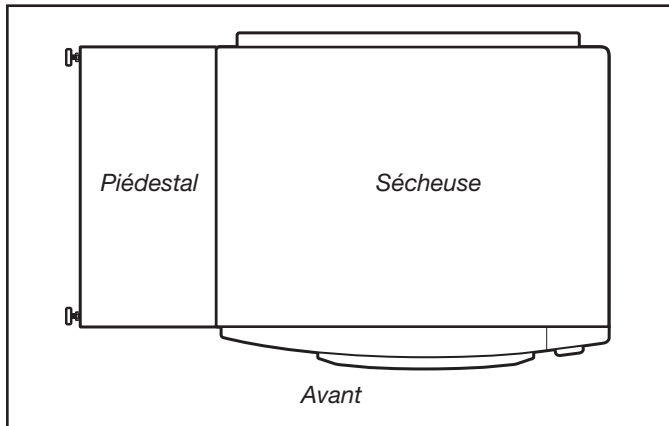
**REMARQUE :** Si des pieds de nivellement sont installés sur la sécheuse, les enlever. Ne pas installer les pieds livrés avec la sécheuse neuve.

### 3. Fixation du piédestal à la sècheuse



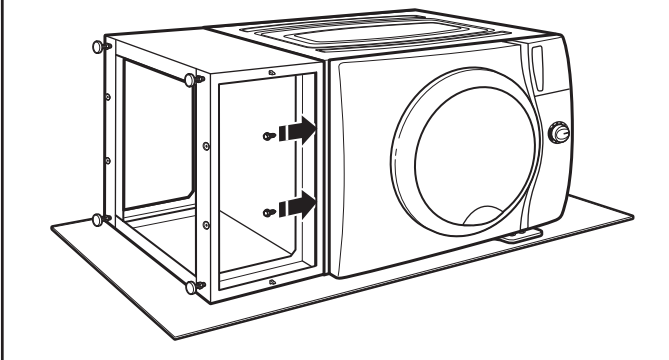
Placer le piédestal contre le fond de la sècheuse. L'avant de la caisse du piédestal doit être aligné avec la caisse de la sècheuse, tel qu'illustré ci-dessous.

Faire glisser les trous en poire du piédestal sur les 2 vis inférieures partiellement vissées.



Vue du dessus

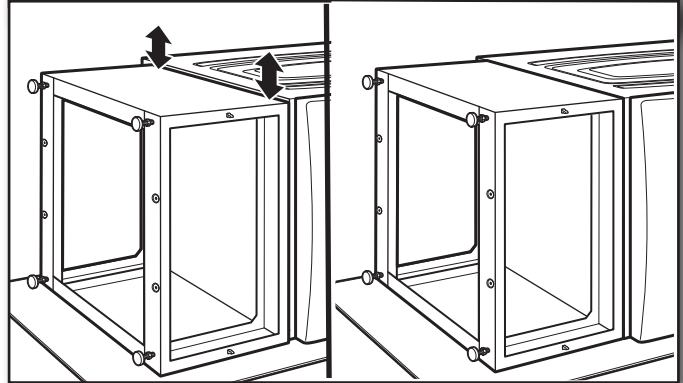
### 4. Fixation du piédestal à la sècheuse



Positionner le piédestal vers l'avant de la sècheuse et installer les deux vis de tôle à tête hexagonale restantes. Ne pas visser complètement. Passer maintenant à "Achever l'installation du piédestal".

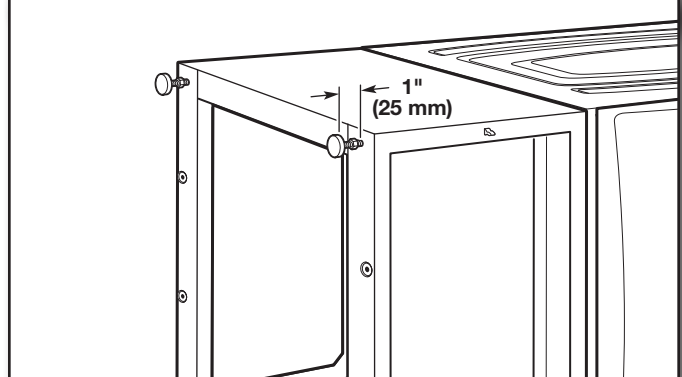
## ACHEVER L'INSTALLATION

### 1. Aligner les côtés du piédestal



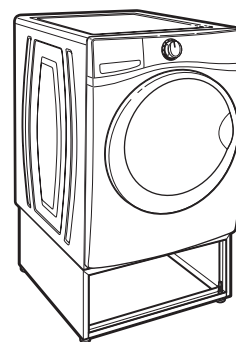
Aligner les côtés du piédestal pour qu'ils soient de niveau avec les côtés de la laveuse/sècheuse. Atteindre l'intérieur de l'ouverture du piédestal et serrer solidement les quatre vis du piédestal.

### 2. Préparer les pieds du piédestal



À l'aide d'un cliquet à tête hexagonale de 1/4" ou d'une clé plate, abaisser les pieds jusqu'à environ 1" (25 mm) du bas du piédestal.

### 3. Ramener la laveuse/sècheuse en position verticale

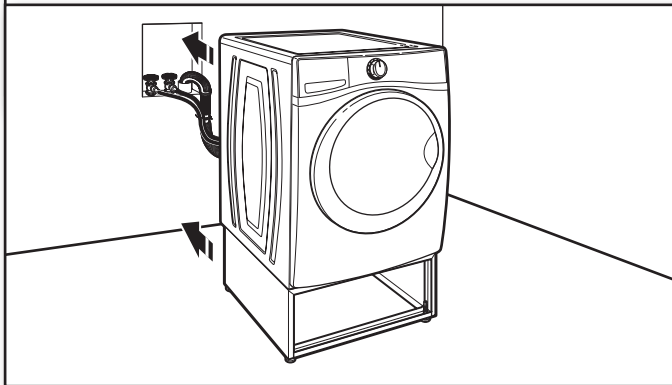


Incliner la laveuse/sècheuse pour la ramener à sa position verticale initiale. Retirer tous les matériaux d'emballage encore présents. Mettre la boîte du piédestal de côté pour l'utiliser lors de l'installation d'un autre piédestal. Une fois la laveuse et la sècheuse installées, jeter/recycler tous les matériaux d'emballage.



## Nivellement de la laveuse/sécheuse

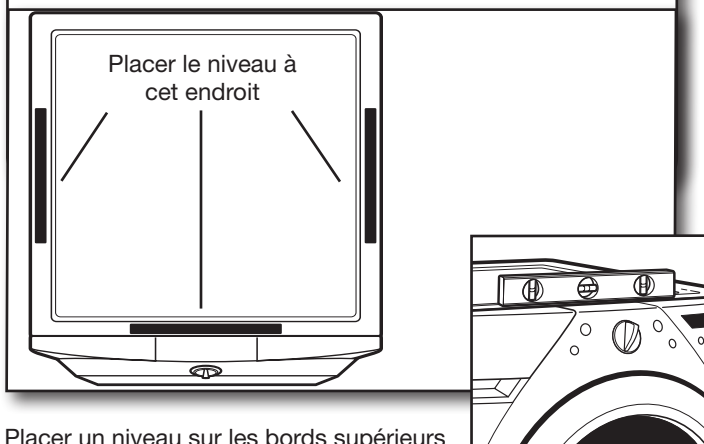
### 1. Déplacer l'appareil près de son emplacement définitif



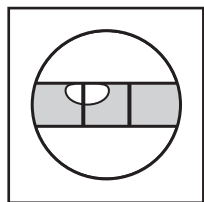
Suivre les Instructions d'installation fournies avec votre laveuse/sécheuse pour terminer l'installation ou la réinstallation de la laveuse/sécheuse (tuyaux, évacuation, etc.)

**REMARQUE :** Veiller à retirer les boulons de transport de l'arrière de la laveuse.

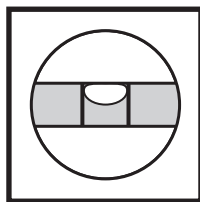
### 2. Vérifier l'aplomb de la laveuse/sécheuse



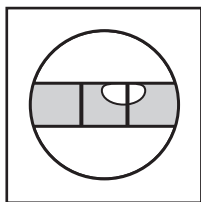
Placer un niveau sur les bords supérieurs de la laveuse/sécheuse en contrôlant chaque côté et l'avant. Faire bouger la laveuse/sécheuse d'avant en arrière pour s'assurer que les quatre pieds sont bien en contact avec le plancher.



Pas d'aplomb



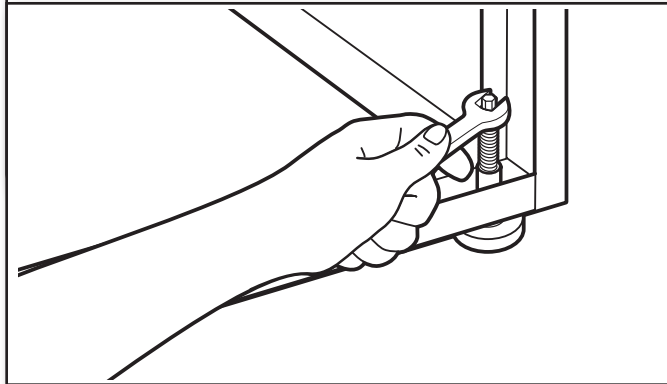
D'aplomb



Pas d'aplomb

Si la laveuse/sécheuse n'est pas d'aplomb, relever ou abaisser les pieds du piédestal, recommencer si nécessaire.

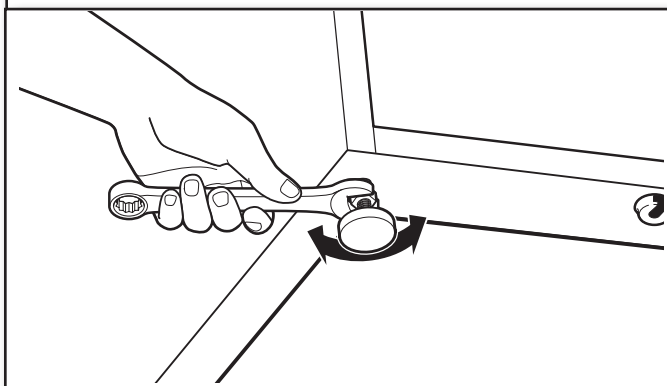
### 3. Ajuster les pieds du piédestal



Insérer les vis de 1/4" à tête hexagonale en haut de chaque pied du piédestal. Atteindre l'intérieur du piédestal et utiliser un cliquet de 1/4" à tête hexagonale ou une clé plate pour ajuster les pieds vers le haut ou vers le bas de façon à établir l'aplomb de la laveuse ou de la sécheuse.

**REMARQUE :** S'assurer que les quatre pieds de piédestal sont bien en contact avec le plancher.

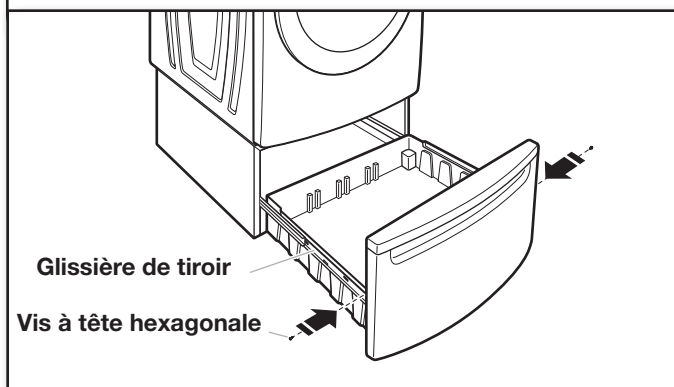
### 4. Bien serrer les contre-écrous



Une fois la laveuse ou la sécheuse d'aplomb et les quatre pieds sont bien en contact avec le plancher, utiliser une clé plate de 9/16" pour fixer solidement les quatre contre-écrous contre le piédestal.

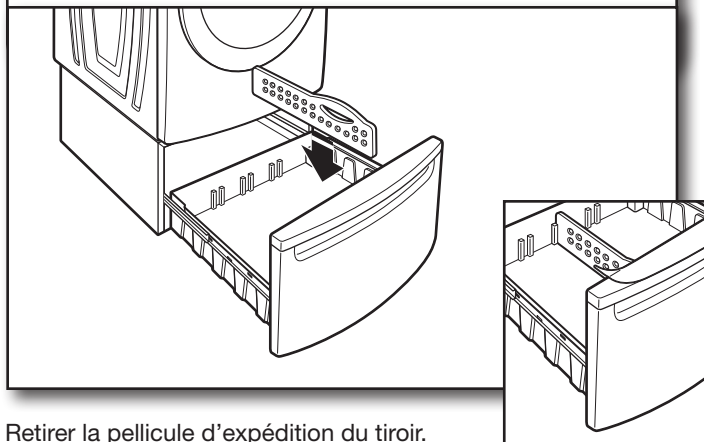
**IMPORTANT :** Les contre-écrous doivent être serrés pour éviter les vibrations.

## 1. Réinstaller le tiroir de piédestal



Tirer sur les deux glissières de tiroir pour les extraire et réinstaller le tiroir sur les glissières de tiroir à l'aide des deux vis à tête hexagonale.

## 2. Placer la cloison du tiroir dans le tiroir



Retirer la pellicule d'expédition du tiroir. Placer la cloison dans le tiroir à l'emplacement souhaité. Fermer le tiroir.

**REMARQUE :** L'utilisation de la cloison est facultative.

**W10347252B**  
**W10348602B - SP**

©2010  
Whirlpool Corporation.  
All rights reserved.  
Tous droits réservés.

WHIRLPOOL is a trademark of Whirlpool, U.S.A.  
WHIRLPOOL est une marque de commerce de Whirlpool, U.S.A.

12/2010  
Printed in U.S.A.  
Imprimé aux É.-U.