

WASHER INSTALLATION INSTRUCTIONS

INSTRUCTIONS D'INSTALLATION DE LA LAVEUSE

Table of Contents

WASHER SAFETY	1
INSTALLATION REQUIREMENTS.....	2
Tools and Parts.....	2
Location Requirements	3
Drain System	4
Electrical Requirements	5
INSTALLATION INSTRUCTIONS.....	5
Connect Drain Hose.....	6
Connect Inlet Hoses.....	7
Level Washer	8
Complete Installation Checklist.....	9

Table des matières

SÉCURITÉ DE LA LAVEUSE	10
EXIGENCES D'INSTALLATION	10
Outillage et pièces	10
Exigences d'emplacement	11
Système de vidange.....	14
Spécifications électriques.....	14
INSTRUCTIONS D'INSTALLATION	15
Raccordement du tuyau de vidange.....	16
Raccordement des tuyaux d'arrivée d'eau	17
Établissement de l'aplomb de la laveuse.....	19
Liste de vérification pour l'achèvement de l'installation	20

Para obtener acceso al instrucciones de instalación en español,
o para obtener información adicional acerca de su producto, visite: www.whirlpool.com.

INSTALLATION NOTES

Date of purchase: _____
Date of installation: _____
Installer: _____
Model number: _____
Serial number: _____

NOTES SUR L'INSTALLATION

Date d'achat : _____
Date d'installation : _____
Installateur : _____
Numéro de modèle : _____
Numéro de série : _____

WASHER SAFETY

Your safety and the safety of others are very important.

We have provided many important safety messages in this manual and on your appliance. Always read and obey all safety messages.



This is the safety alert symbol.

This symbol alerts you to potential hazards that can kill or hurt you and others.

All safety messages will follow the safety alert symbol and either the word "DANGER" or "WARNING."

These words mean:

⚠ DANGER

You can be killed or seriously injured if you don't immediately follow instructions.

⚠ WARNING

You can be killed or seriously injured if you don't follow instructions.

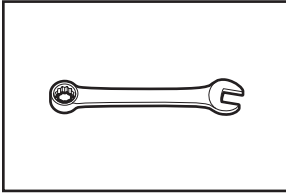
All safety messages will tell you what the potential hazard is, tell you how to reduce the chance of injury, and tell you what can happen if the instructions are not followed.

INSTALLATION REQUIREMENTS

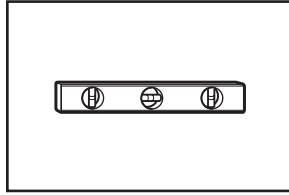
TOOLS AND PARTS

Gather required tools and parts before starting installation.

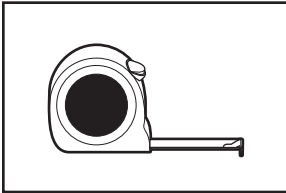
Tools needed:



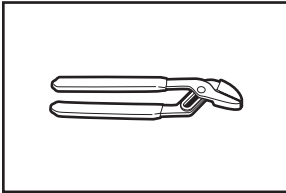
Adjustable or open-end wrenches 1/2" (13 mm), 5/8" (16 mm) and 9/16" (14 mm)



Level

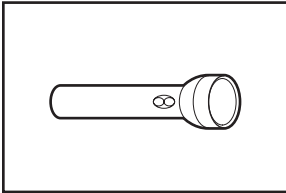


Ruler or measuring tape

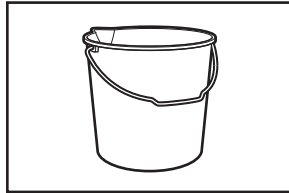


Pliers that open to 1 5/16" (39.5 mm)

Optional tools:

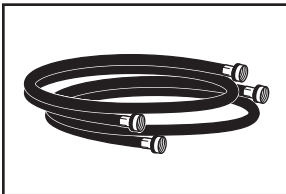


Flashlight

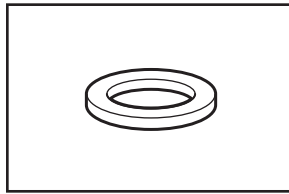


Bucket

Parts needed (not supplied with washer):



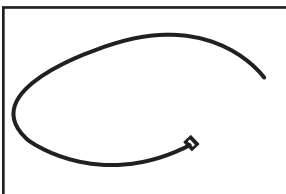
Water inlet hoses (2)



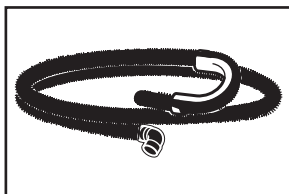
Flat inlet hose washers (4)

Parts supplied:

NOTE: All parts supplied for installation are in the washer basket.



Cable tie



Drain hose with clamp and form (may be shipped unassembled)

Available accessories:

An optional matching pedestal is available for your washer. Please contact your retailer for ordering information, or see the "Assistance or Service" page on the back of your Use and Care Guide.

Alternate parts (not supplied with washer):

Your installation may require additional parts. To order, please refer to toll-free numbers on the back page of your Use and Care Guide.

If you have:

Overhead sewer

You will need:

Standard 20 gallon (76 L) 39" (990 mm) tall drain tub or utility sink, sump pump and connectors (available from local plumbing suppliers)

Alternate inlet hoses (may be required for some installations, not supplied with washer):

- 8212656RP 10 ft (3.0 m) Inlet hose, Black EPDM (2 pack)
- 8212641RP 5 ft (1.5 m) Inlet hose, Black EPDM (2 pack)
- 8212546RP 4 ft (1.2 m) Inlet hose, Black EPDM (2 pack)
- 8212545RP 5 ft (1.5 m) Inlet hose, Red and Blue EPDM (2 pack)
- 8212487RP 5 ft (1.5 m) Nylon braided inlet hose (2 pack)
- 8212638RP 6 ft (1.8 m) Nylon braided inlet hose, space-saving 90° elbow, hypro-blue steel couplings (2 pack)

LOCATION REQUIREMENTS

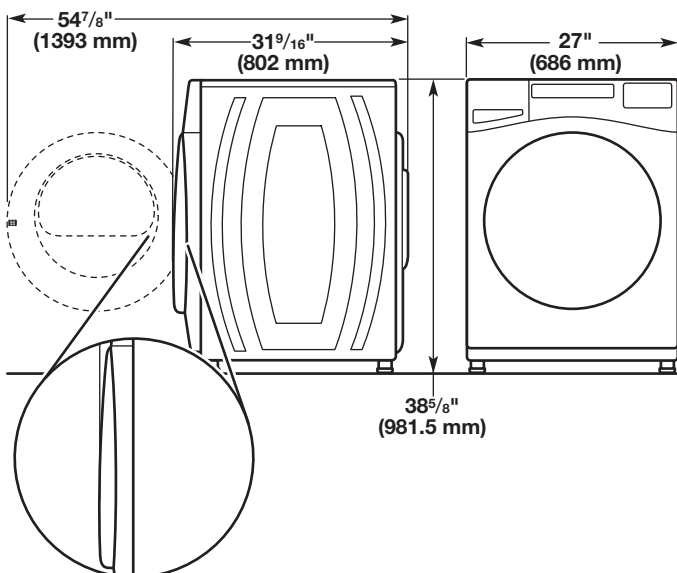
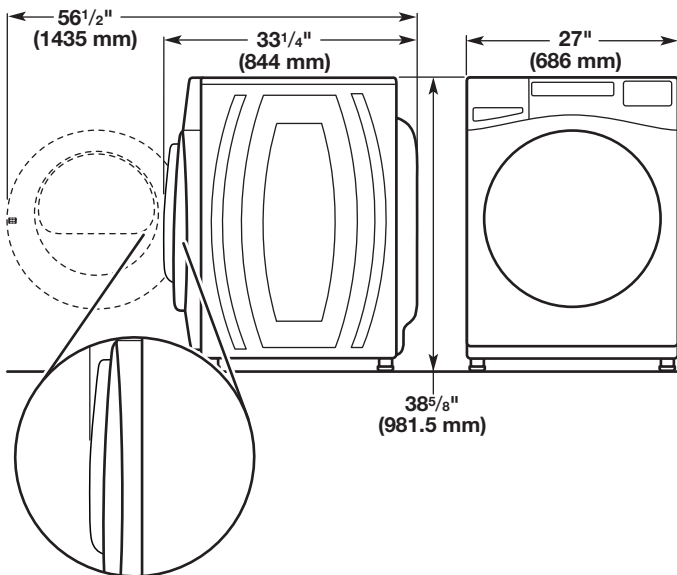
Proper installation is your responsibility.

You will need:

- A water heater set to 120°F (49°C).
- A grounded electrical outlet located within 6 ft (1.8 m) of power cord on back of washer.
- Hot and cold water faucets located within 4 ft (1.2 m) of hot and cold water fill valves on washer, and water pressure of 20 psi–100 psi (137.9 kPa–689.6 kPa).
- A level floor with maximum slope of 1" (25 mm) under entire washer. Installing on carpet or surfaces with foam backing is not recommended.
- Floor must support washer's total weight (with water and load) of 315 lbs (143 kgs).

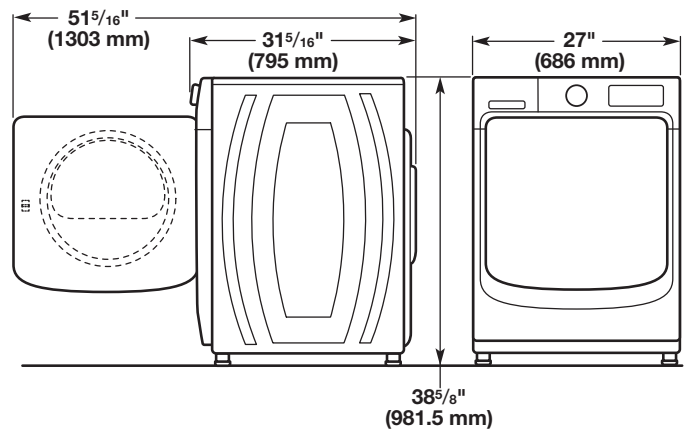
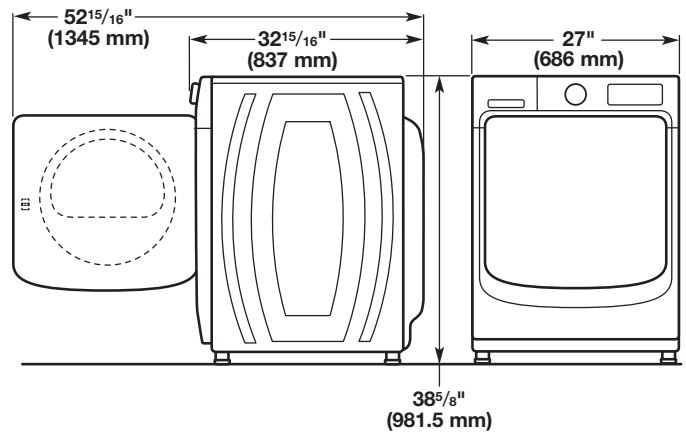
IMPORTANT: Do not install, store, or operate washer where it will be exposed to weather or in temperatures below 32°F (0°C). Water remaining in washer after use may cause damage in low temperatures. See "Washer Care" in your Use and Care Guide for winterizing information.

Whirlpool®, Inglis, and Amana Models*



*For additional details (or information) specific to your model, refer to the 'Dimensions' listed for your model at www.whirlpool.com.

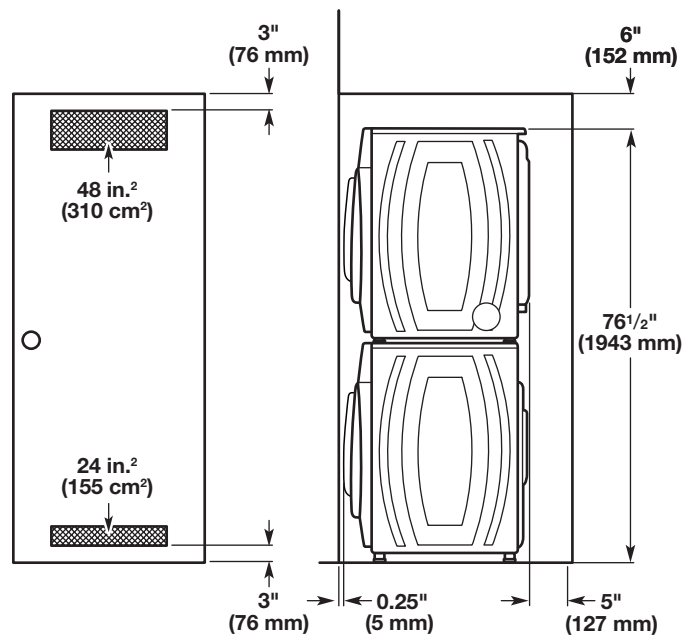
Maytag® Models



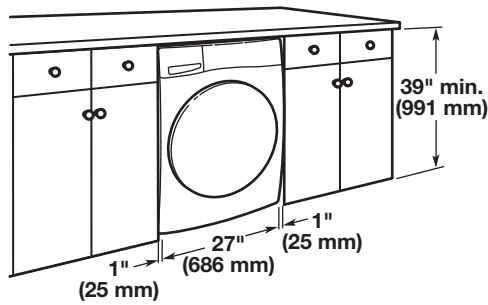
All dimensions show minimum spacing allowed. For each arrangement, consider allowing more space for ease of installation and servicing, and spacing for companion appliances and clearances for walls, doors, and floor moldings.

Space must be large enough to allow door to fully open. Add spacing of 1" (25 mm) on all sides of washer to reduce noise transfer. If a closet door or louvered door is installed, top and bottom air openings in door are required.

Recessed area or closet installation (stacked washer and dryer):



Custom under-counter installation:

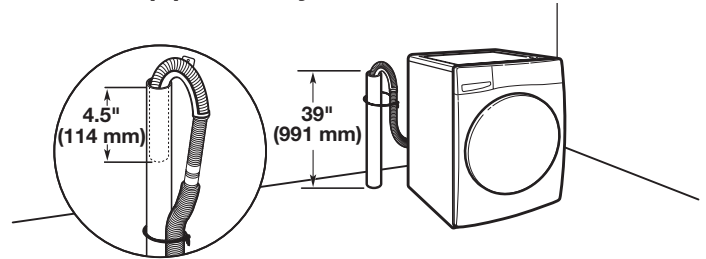


DRAIN SYSTEM

The drain system can be installed using a floor drain, wall standpipe, floor standpipe, or laundry tub. Select the method you need.

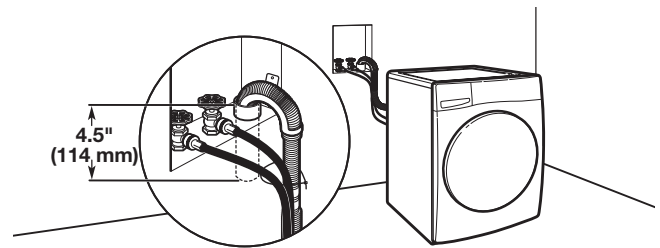
IMPORTANT: To avoid siphoning, only 4.5" (114 mm) of drain hose should be inside standpipe. Always secure drain hose with cable tie.

Floor standpipe drain system



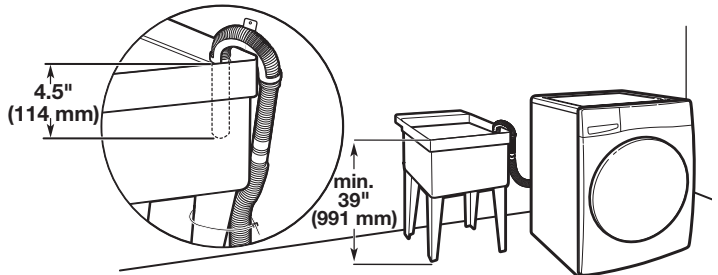
Minimum diameter for a standpipe drain: 2" (51 mm). Minimum carry-away capacity: 17 gallon (64 L) per minute. A 1/4" (6 mm) diameter to 1" (25 mm) diameter Standpipe Adapter Kit is available (Part Number 3363920). Top of standpipe must be at least 39" (991 mm) from the floor; install no higher than 96" (2.44 m) from bottom of washer. If you have an overhead sewer and need to pump higher than 96" (2.44 m), a sump pump and associated hardware are needed. See "Alternate parts."

Wall standpipe drain system

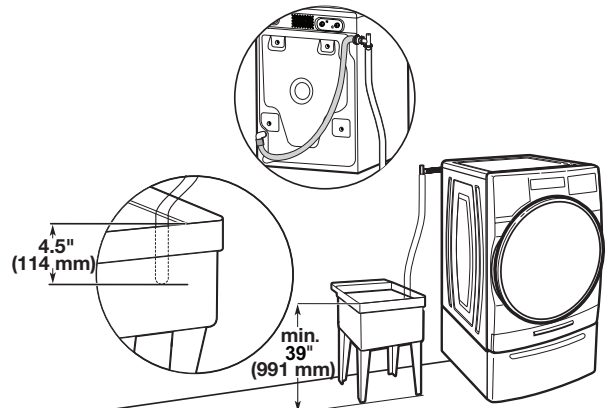


See requirements for floor standpipe drain system.

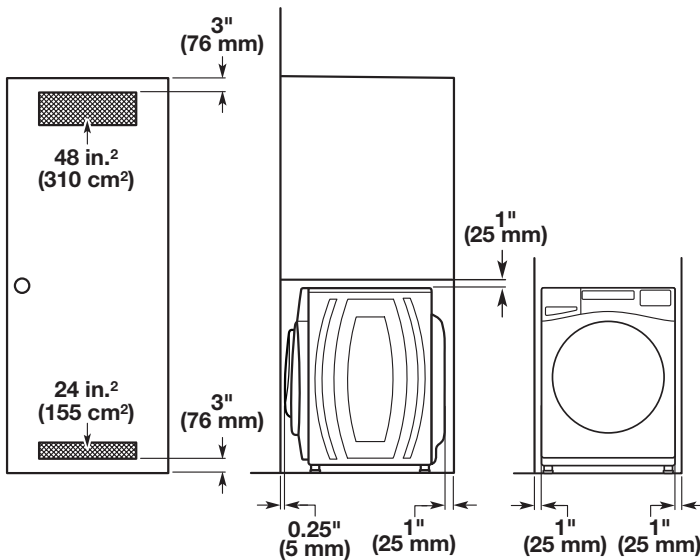
Laundry tub drain system



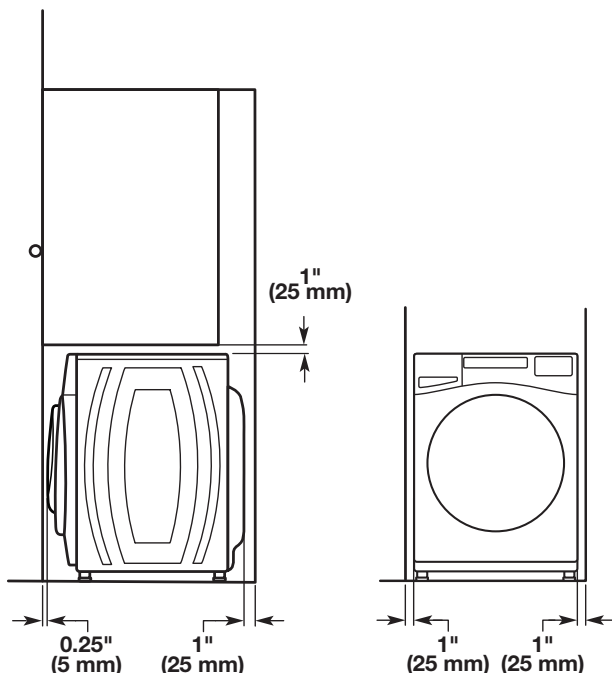
Minimum capacity: 20 gallon (76 L). Top of laundry tub must be at least 39" (991 mm) from the floor; install no higher than 96" (2.44 m) from bottom of washer.



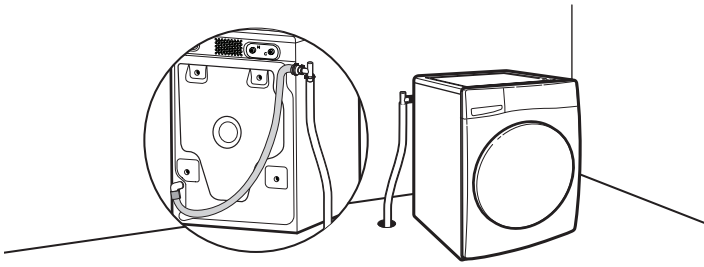
Recessed area or closet installation:



Custom cabinet installation:



Floor drain system



Floor drain system requires a Siphon Break Kit, two Connector Kits, and an Extension Drain Hose that may be purchased separately. Please contact your retailer for ordering information, or see the "Assistance or Service" page on the back of your Use and Care Guide. Minimum siphon break height: 28" (710 mm) from bottom of washer. (Additional hoses may be needed.)

ELECTRICAL REQUIREMENTS

⚠ WARNING



Electrical Shock Hazard

Plug into a grounded 3 prong outlet.

Do not remove ground prong.

Do not use an adapter.

Do not use an extension cord.

Failure to follow these instructions can result in death, fire, or electrical shock.

- A 120 V, 60 Hz., AC only, 15 A or 20 A, fused electrical supply is required. A time-delay fuse or circuit breaker is recommended. It is recommended that a separate circuit breaker serving only this appliance be provided.
- This washer is equipped with a power supply cord having a 3 prong grounding plug.
- To minimize possible shock hazard, the cord must be plugged into a mating, 3 prong, grounding-type outlet, grounded in accordance with local codes and ordinances. If a mating outlet is not available, it is the personal responsibility and obligation of the customer to have the properly grounded outlet installed by a qualified electrician.
- If codes permit and a separate ground wire is used, it is recommended that a qualified electrician determine that the ground path is adequate.
- Do not ground to a gas pipe.
- Check with a qualified electrician if you are not sure the washer is properly grounded.
- Do not have a fuse in the neutral or ground circuit.

GROUNDING INSTRUCTIONS

For a grounded, cord-connected washer:

This washer must be grounded. In the event of a malfunction or breakdown, grounding will reduce the risk of electrical shock by providing a path of least resistance for electric current. This washer is equipped with a cord having an equipment-grounding conductor and a grounding plug. The plug must be plugged into an appropriate outlet that is properly installed and grounded in accordance with all local codes and ordinances.

WARNING: Improper connection of the equipment-grounding conductor can result in a risk of electric shock. Check with a qualified electrician or serviceman if you are in doubt as to whether the appliance is properly grounded.

Do not modify the plug provided with the appliance – if it will not fit the outlet, have a proper outlet installed by a qualified electrician.

INSTALLATION INSTRUCTIONS

⚠ WARNING

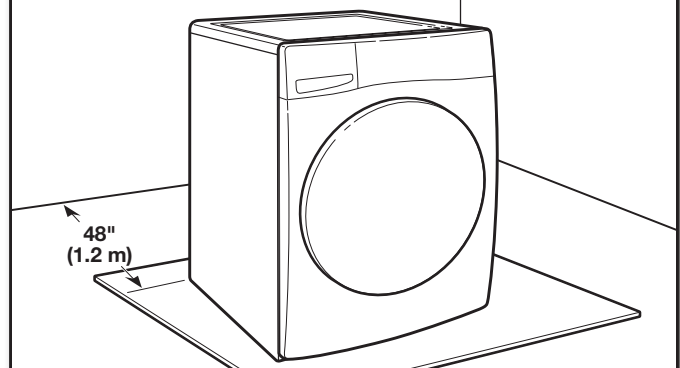
Excessive Weight Hazard

Use two or more people to move and install washer.

Failure to do so can result in back or other injury.

NOTE: To avoid floor damage, set washer onto cardboard before moving it.

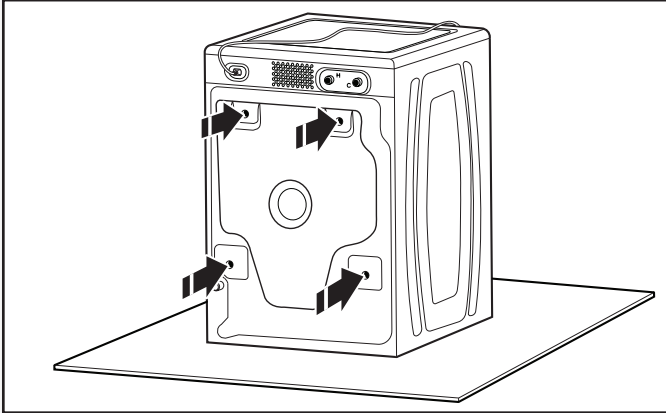
1. Move washer



It is necessary to remove all shipping materials for proper operation and to avoid excessive noise from washer.

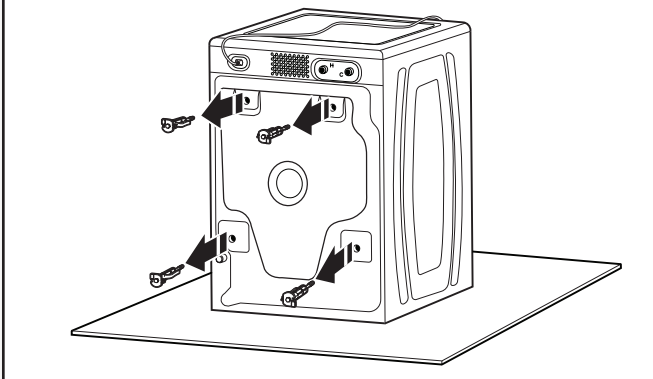
Move washer to within 4 ft (1.2 m) of its final location. It must be in a fully upright position.

2. Locate transport bolts



Locate four transport bolts on rear of washer.

3. Remove transport bolts from washer

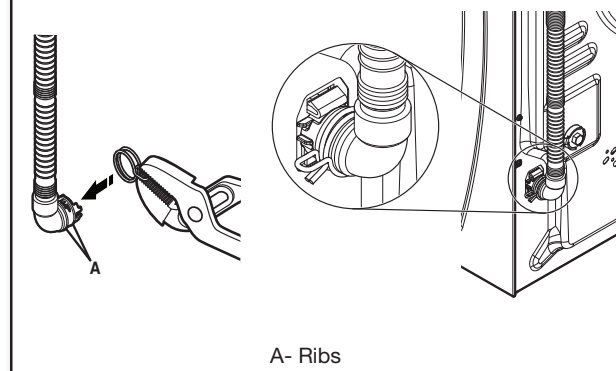


Loosen bolts with a 5/8" (16 mm) wrench. Slide each bolt and spacer to center of hole. Pull bolts and plastic spacers from back of washer. Discard bolts and spacers.

IMPORTANT: Do not plug washer in until installation has been completed.

CONNECT DRAIN HOSE

4. Attach drain hose to drain port



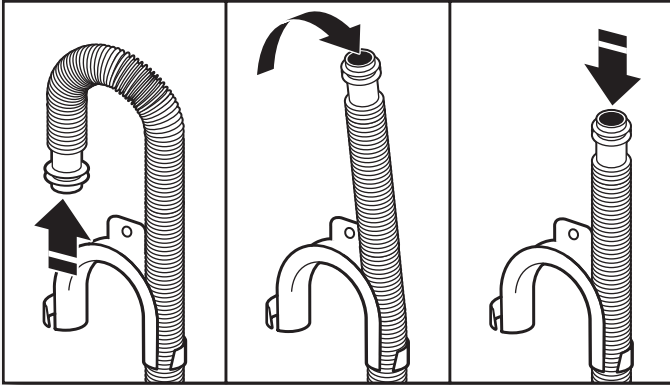
If clamp is not already in place on elbow end of drain hose, squeeze clamp with pliers and slide it over end of hose, centering it between the ribs, as shown. Squeeze clamp with pliers and slide elbow end of drain hose onto drain port and secure with clamp.

For a laundry tub or standpipe drain, go to step 6.

For a floor drain, remove the preinstalled drain hose form as shown in Step 5. You may need additional parts with separate directions. See "Alternate Parts."

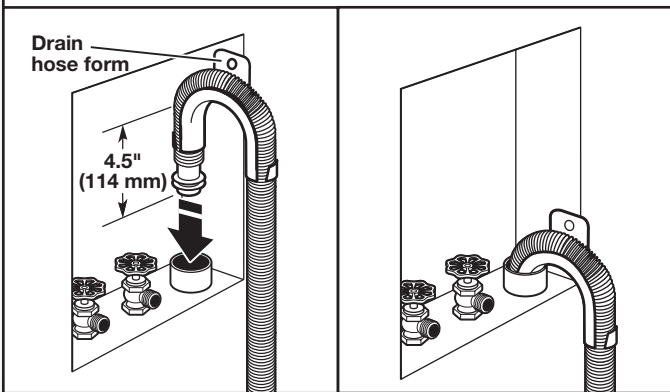
It is the responsibility of the installer to install and secure the drain hose into the provided plumbing/drain in a manner that will avoid the drain hose coming out of or leaking from the plumbing/drain.

5. Remove drain hose form (floor drain installations only)



For floor drain installations, you will need to remove the drain hose form from the end of the drain hose. You may need additional parts with separate directions. See "Alternate Parts".

6. Place drain hose in standpipe

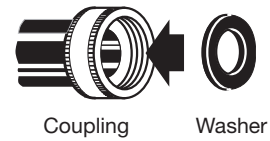


Place hose into standpipe (shown in picture) or over side of laundry tub.

IMPORTANT: Only 4.5" (114 mm) of drain hose should be inside standpipe; do not force excess hose into standpipe or lay on bottom of laundry tub. Drain hose form must be used.

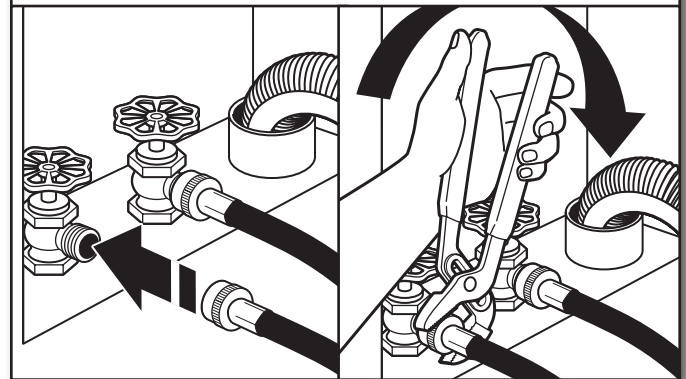
CONNECT INLET HOSES

7. Insert new flat washers



IMPORTANT: To avoid leaks, check that your water inlet hoses have flat washers at both ends. Washer must be connected to water faucets with new inlet hoses with flat washers (not provided). Do not use old hoses. Do not use hoses without washers.

8. Connect inlet hoses to water faucets

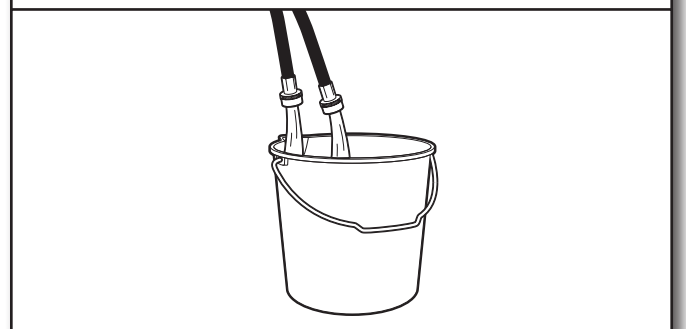


Attach the hose labeled hot to hot water faucet. Screw on coupling by hand until it is seated on washer. Use pliers to tighten couplings an additional two-thirds turn. Repeat this step with the hose labeled cold for the cold water faucet. Both hoses must be connected for washer to work properly.

IMPORTANT: Do not overtighten or use tape or sealants on valve when attaching to faucets or washer. Damage can result.

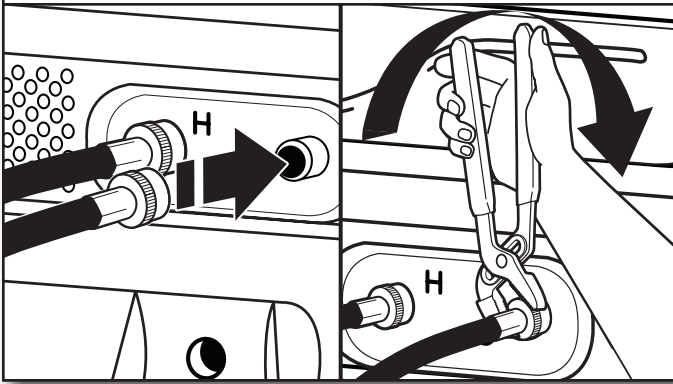
HELPFUL TIP: Make note of which hose is connected to hot water to help in attaching hoses to washer correctly. In most standard configurations, hoses will cross over each other when attached correctly.

9. Clear water lines



Run water for a few seconds through hoses into a laundry tub, drainpipe, or bucket to avoid clogs. Water should run until clear.

10. Connect inlet hoses to washer



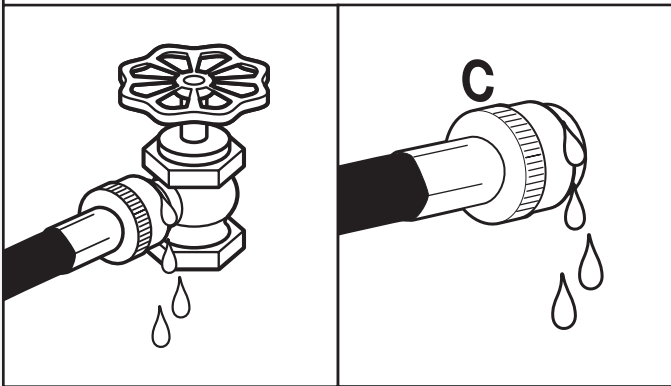
Attach hot water hose to hot water inlet valve. Screw coupling by hand until it is snug. Use pliers to tighten couplings an additional two-thirds turn. Repeat with cold water inlet valve.

IMPORTANT: Do not overtighten or use tap or sealants on valve when attaching to faucets or washer. Damage can result.

NOTE: To reduce risk of hose failure, replace the hoses every 5 years. Record hose installation or replacement dates for future reference.

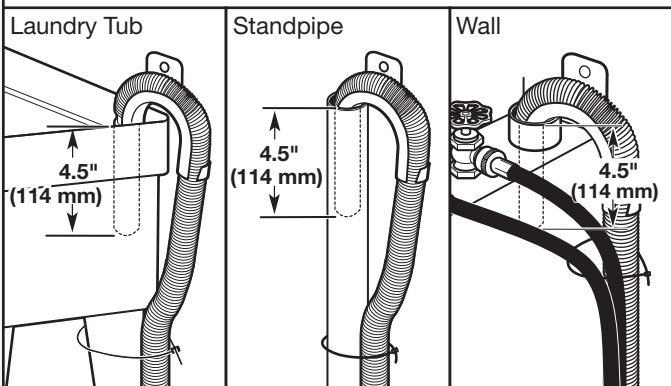
- Periodically inspect and replace hoses if bulges, kinks, cuts, wear, or leaks are found.

11. Check for leaks



Slowly turn on water faucets to check for leaks. A small amount of water may enter washer. It will drain later.

12. Secure drain hose

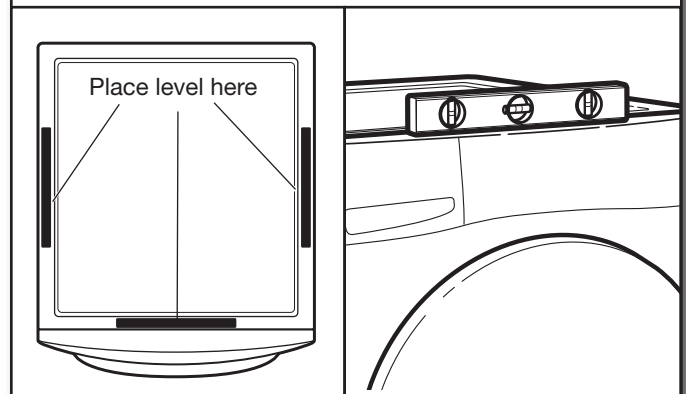


Secure drain hose to laundry tub leg, drain standpipe, or inlet hoses for wall standpipe with cable tie.

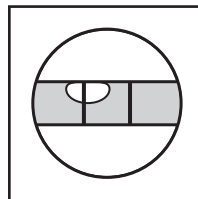
LEVEL WASHER

IMPORTANT: Leveling your washer properly reduces excess noise and vibration.

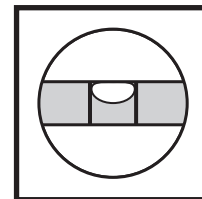
13. Check levelness of washer



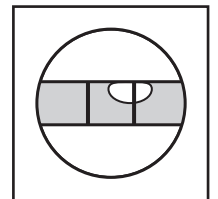
Remove cardboard from beneath washer. Place a level on top edges of washer, checking each side and front. If not level, tip washer and adjust feet up or down as shown in steps 15 and 16, repeating as necessary.



Not Level

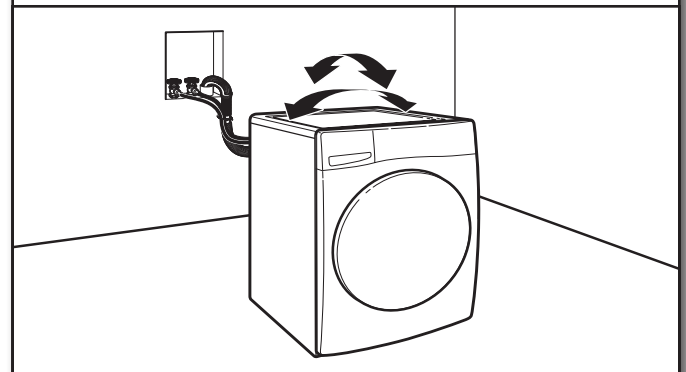


LEVEL



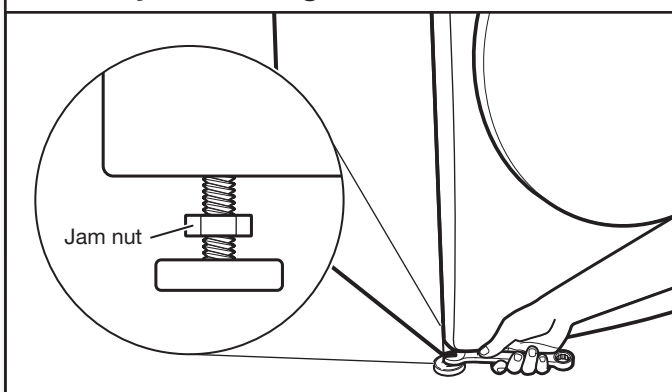
Not Level

14. Rock washer to test foot contact



Grip washer from top and rock back and forth, making sure all four feet are firmly on floor. Repeat, rocking washer from side to side. If washer rocks, go to step 15 and adjust leveling feet. If all four feet are in firm contact with floor, go to Step 16.

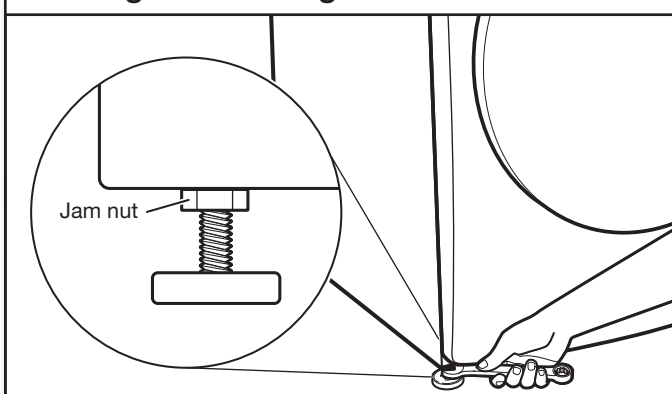
15. Adjust leveling feet



If washer is not level, use a 9/16" (14 mm) open-end or adjustable wrench to turn jam nuts clockwise on feet until they are about 1/2" (13 mm) from the washer cabinet. Then turn the leveling foot clockwise to lower the washer or counterclockwise to raise the washer. Do not exceed 2" (50 mm) from bottom of foot to bottom of cabinet. Recheck levelness of washer and that all four feet are firmly in contact with the floor. Repeat as needed.

HELPFUL TIP: You may want to prop up front of washer about 4" (102 mm) with a wood block or similar object that will support weight of washer.

16. Tighten leveling feet



When washer is level and all four feet are firmly in contact with the floor, use a 9/16" (14 mm) open-end or adjustable wrench to turn jam nuts counterclockwise on leveling feet tightly against washer cabinet.

HELPFUL TIP: You may want to prop washer with wooden block.

⚠ WARNING



Electrical Shock Hazard

Plug into a grounded 3 prong outlet.

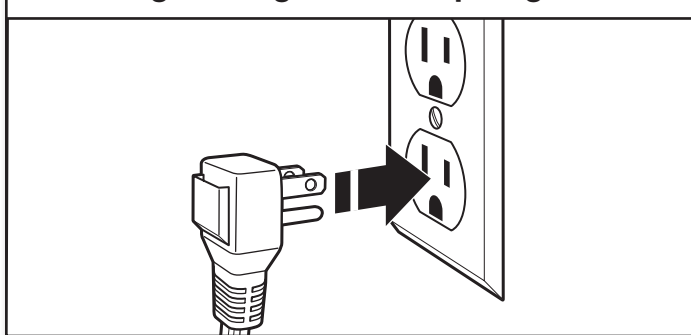
Do not remove ground prong.

Do not use an adapter.

Do not use an extension cord.

Failure to follow these instructions can result in death, fire, or electrical shock.

17. Plug into a grounded 3 prong outlet



COMPLETE INSTALLATION CHECKLIST

- Check electrical requirements. Be sure you have correct electrical supply and recommended grounding method.
- Check that all parts are now installed. If there is an extra part, go back through steps to see what was skipped.
- Check that you have all of your tools.
- Check that transport materials were completely removed from back of washer.
- Check that both hot and cold hoses are attached and water faucets are on.
- Check for leaks around faucets, valves, and inlet hoses.
- Remove protective film from console and any tape remaining on washer.
- Check that washer is plugged into a grounded 3 prong outlet.
- Dispose of/recycle all packaging materials.
- Read "Using Your Washer" in your Washer Use and Care Guide.
- To test and clean your washer, press POWER and choose the Quick cycle and run it without clothes. Use only HE detergent. Use 1/2 the manufacturer's recommended amount for a medium-size load.

SÉCURITÉ DE LA LAVEUSE

Votre sécurité et celle des autres est très importante.

Nous donnons de nombreux messages de sécurité importants dans ce manuel et sur votre appareil ménager. Assurez-vous de toujours lire tous les messages de sécurité et de vous y conformer.



Voici le symbole d'alerte de sécurité.

Ce symbole d'alerte de sécurité vous signale les dangers potentiels de décès et de blessures graves à vous et à d'autres.

Tous les messages de sécurité suivront le symbole d'alerte de sécurité et le mot "DANGER" ou "AVERTISSEMENT". Ces mots signifient :

⚠ DANGER

Risque possible de décès ou de blessure grave si vous ne suivez pas immédiatement les instructions.

⚠ AVERTISSEMENT

Risque possible de décès ou de blessure grave si vous ne suivez pas les instructions.

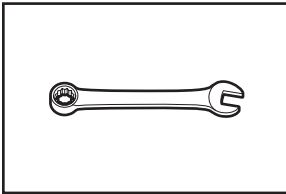
Tous les messages de sécurité vous diront quel est le danger potentiel et vous disent comment réduire le risque de blessure et ce qui peut se produire en cas de non-respect des instructions.

EXIGENCES D'INSTALLATION

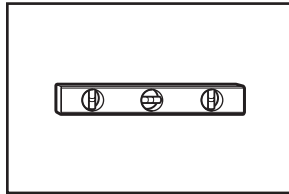
OUTILLAGE ET PIÈCES

Rassembler les outils et pièces nécessaires avant de commencer l'installation.

Outillage nécessaire :

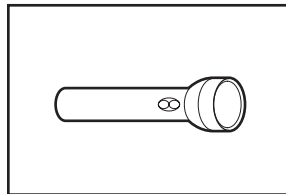


Clés plates ou clés à molette de 1/2" (13 mm), 5/8" (16 mm) et 9/16" (14 mm)

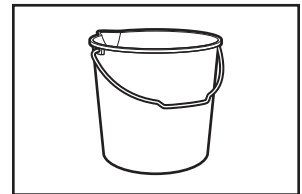


Niveau

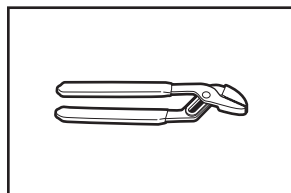
Outillage facultatif :



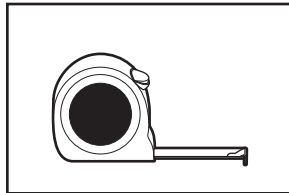
Lampe de poche



Seau

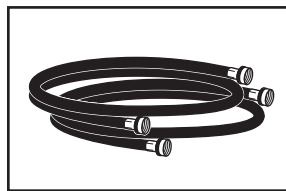


Pince avec ouverture jusqu'à 1⁹/₁₆" (39,5 mm)

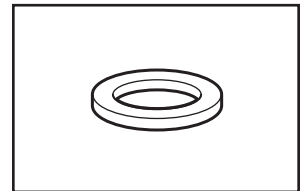


Règle ou mètre ruban

Pièces nécessaires : (Non fournies avec la laveuse)



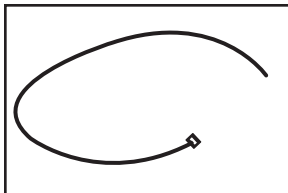
Tuyaux d'arrivée d'eau (2)



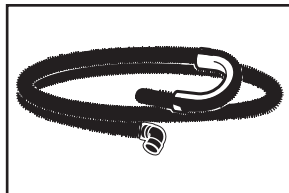
Rondelles plates pour tuyau d'arrivée d'eau (4)

Pièces fournies :

REMARQUE : Toutes les pièces fournies pour l'installation se trouvent dans le panier de la laveuse.



Attache-câble



Tuyau de vidange avec bride et bride de retenue (peuvent être livrés non montés)

Accessoires disponibles :

Vous pouvez obtenir un piédestal facultatif assorti pour la laveuse. Contacter le revendeur pour effectuer la commande ou voir la page "Assistance ou service" au dos du Guide d'utilisation et d'entretien.

Autres pièces : (Non fournies avec la laveuse)

Il se peut que l'installation nécessite des pièces supplémentaires. Pour commander, consulter les numéros d'appel sans frais figurant sur la page de couverture du Guide d'utilisation et d'entretien.

Si vous avez :

Un égout surélevé

Il vous faudra :

Tuyau de vidange standard de 20 gallon (76 L) de 39" (990 mm) de haut ou évier de décharge, pompe de puisard et connecteurs (disponibles chez les vendeurs de matériel de plomberie locaux)

Tuyaux d'arrivée d'eau alternatifs :

(peuvent être nécessaires pour certaines installations; ne sont pas fournis avec la laveuse)

- 8212656RP Tuyau d'arrivée d'eau de 10 pi. (3 m), EPDM noir (lot de 2)
- 8212641RP Tuyau d'arrivée d'eau de 5 pi. (1,5 m), EPDM noirs (lot de 2)
- 8212546RP Tuyau d'arrivée d'eau de 4 pi. (1,2 m), EPDM noirs (lot de 2)
- 8212545RP Tuyau d'arrivée d'eau de 5 pi. (1,5 m), EPDM rouge et bleu (lot de 2)
- 8212487RP Tuyau d'arrivée d'eau en nylon tressé de 5 pi. (1,5 m) (lot de 2)
- 8212638RP Tuyau d'arrivée d'eau en nylon tressé de 6 pi (1,8 m), coude compact à 90°, raccords hypro-blue en acier (lot de 2)

EXIGENCES D'EMPLACEMENT

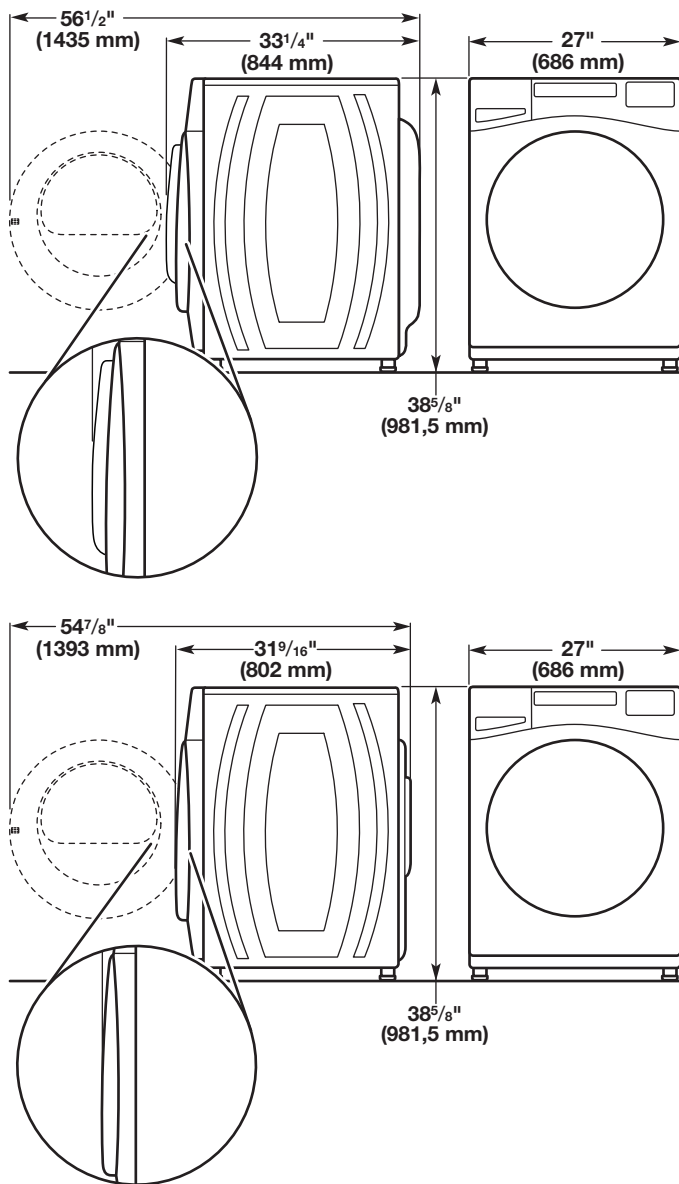
C'est à l'utilisateur qu'incombe la responsabilité de réaliser une installation correcte.

Il vous faudra :

- Un chauffe-eau réglé à 120 °F (49 °C).
- Une prise électrique reliée à la terre et située à moins de 6 pi (1,8 m) du cordon d'alimentation situé à l'arrière de la laveuse.
- Des robinets d'eau chaude et d'eau froide situés à moins de 4 pi (1,2 m) des électrovannes de remplissage d'eau chaude et d'eau froide situées sur la laveuse et une pression d'eau de 20 à 100 lb/po² (137,9 à 689,6 kPa).
- Un plancher de niveau avec une pente maximale de 1" (25 mm) sous l'ensemble de la laveuse. Il n'est pas recommandé de l'installer sur un tapis, de la moquette ou des surfaces avec endos en mousse.
- Un plancher capable de supporter le poids total de 315 lb (143 kg) de la laveuse (eau et charge comprises).

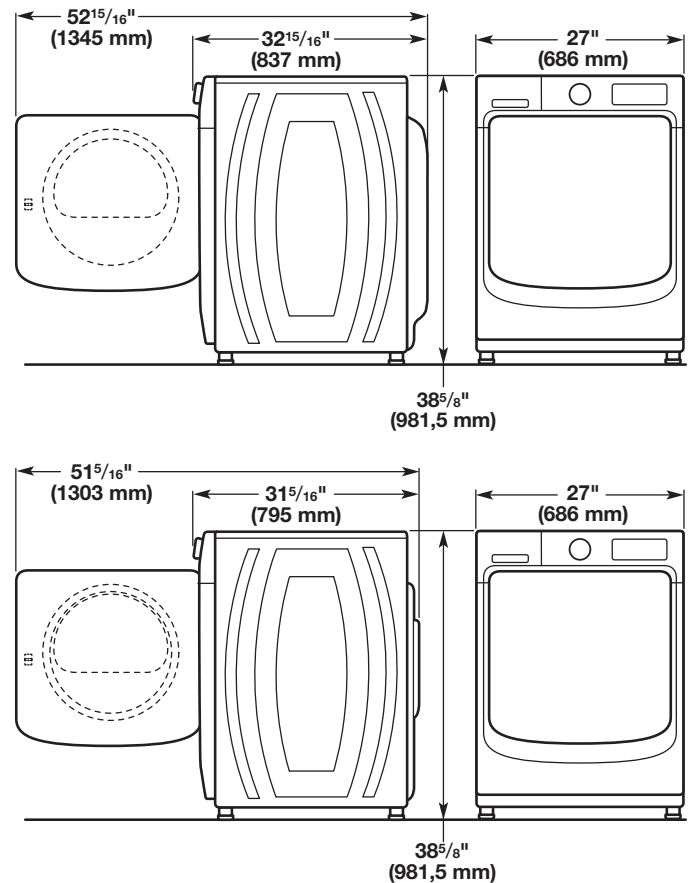
IMPORTANT : Ne pas installer, remiser ou faire fonctionner la laveuse à un emplacement où elle sera exposée aux intempéries ou à des températures inférieures à 32 °F (0 °C). De l'eau restée dans la laveuse après utilisation peut causer des dommages à basse température. Voir "Entretien de la laveuse" dans le Guide d'utilisation et d'entretien de la laveuse pour des renseignements sur l'hivernisation.

Modèles Whirlpool®, Inglis et Amana*



*Pour plus de détails (ou de renseignements) relatifs à votre modèle, voir le 'Dimensions' indiquées pour ce modèle à www.whirlpool.com.

Modèles Maytag®

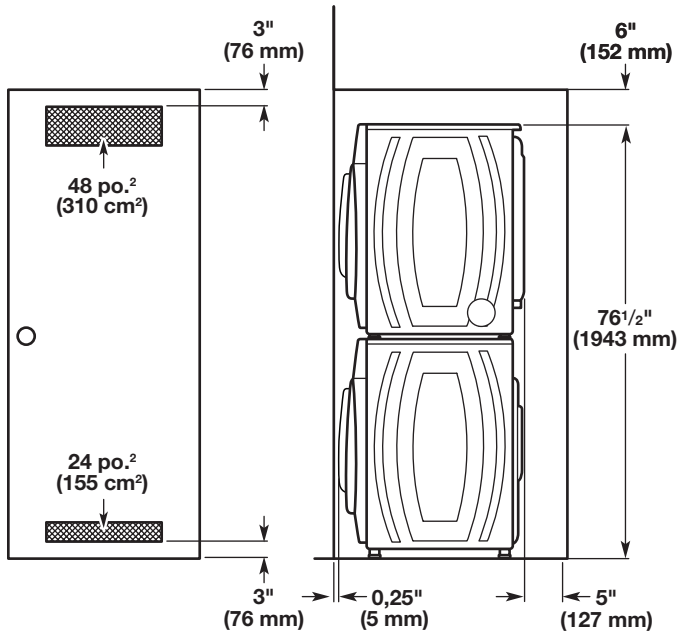


Toutes les dimensions représentent les dégagements le minimum permis.

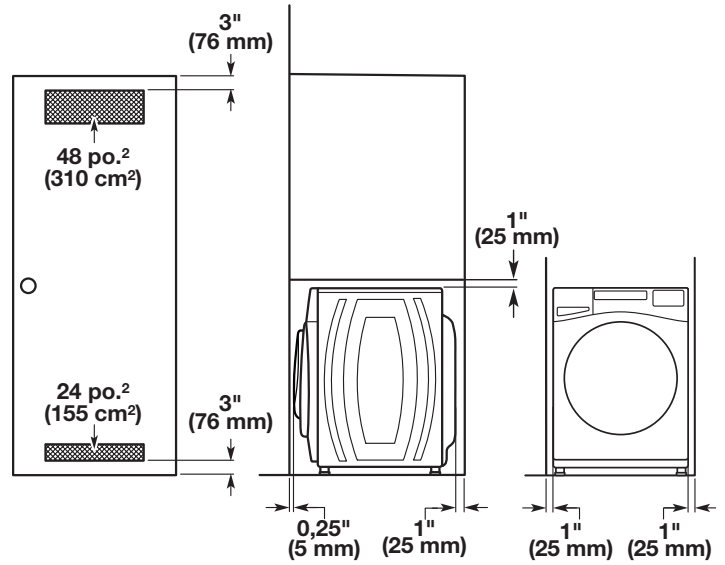
Pour chaque configuration, on peut éventuellement laisser davantage de dégagement pour faciliter l'installation et l'entretien; des distances de séparation pur les appareils ménagers voisins et des dégagements pour les murs, les portes et les moulures de plancher.

Le dégagement octroyé doit permettre à la porte de s'ouvrir complètement. Ajouter un espace supplémentaire de 1" (25 mm) de tous les côtés de la laveuse pour réduire le transfert de bruit. Si l'on installe une porte de placard ou une porte à persiennes, des ouvertures d'aération au sommet et au bas de la porte sont nécessaires.

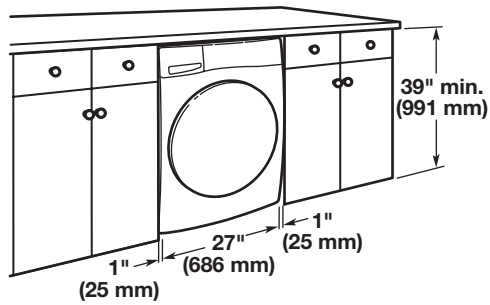
Installation dans un encastrement ou un placard (laveuse et sècheuse superposées) :



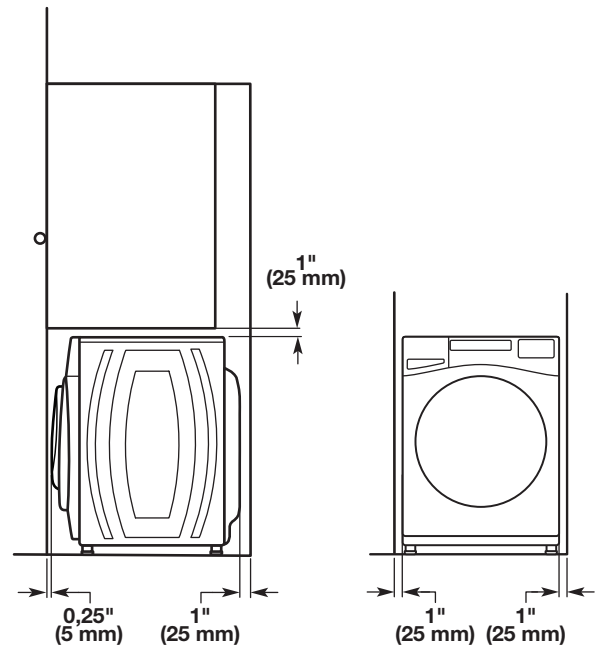
Installation dans un encastrement ou un placard (laveuse uniquement) :



Installation sous comptoir personnalisée :



Installation dans un placard personnalisée :

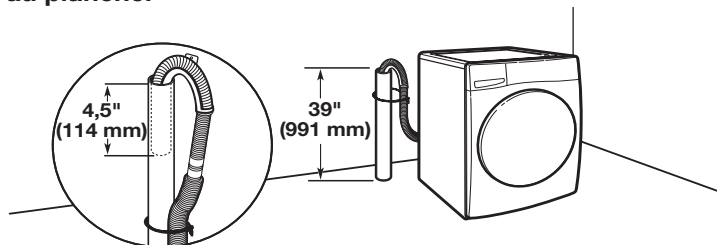


SYSTÈME DE VIDANGE

Le système de vidange de la laveuse peut être installé à l'aide d'un conduit d'évacuation au plancher, un tuyau de rejet à l'égout au plancher ou mural ou un évier de buanderie. Sélectionner la méthode à utiliser.

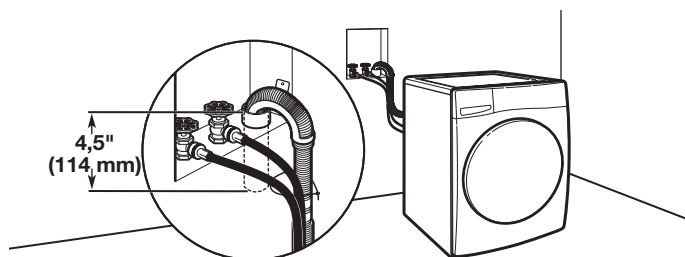
IMPORTANT : Pour éviter un effet de siphon, ne pas introduire plus de 4,5" (114 mm) de tuyau de vidange à l'intérieur du tuyau rigide de rejet à l'égout. Toujours immobiliser le tuyau de vidange avec un attache-câble.

Système de vidange avec tuyau de rejet à l'égout au plancher



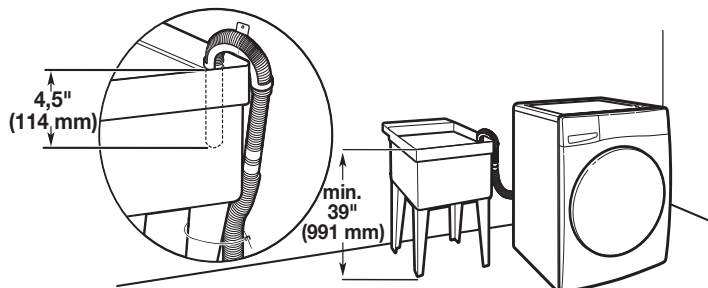
Diamètre minimal pour un tuyau de rejet à l'égout : 2" (51 mm). Capacité minimale d'acheminement : 17 gal (64 L) par minute. Un ensemble d'adaptation pour tuyau de rejet à l'égout pour diamètre de 1/4" (6 mm) vers diamètre de 1" (25 mm) est offert (numéro de pièce 3363920). Le haut du tuyau de rejet à l'égout doit être à au moins 39" (991 mm) du sol, mais pas à plus de 96" (2,44 m) du bas de la laveuse. Si la canalisation de vidange est au-dessus de la tête et que l'eau doit être pompée à plus de 96" (2,44 m), une pompe de puisard et sa quincaillerie seront nécessaires. Consulter le point "pièces facultatives".

Système de vidange avec tuyau de rejet à l'égout mural

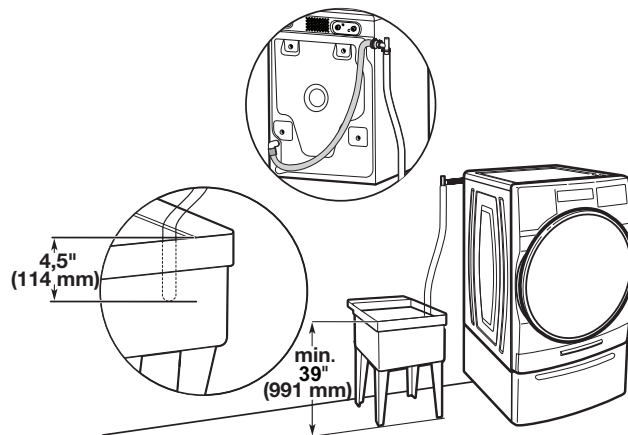


Voir les exigences pour le système de vidange avec tuyau rigide de rejet à l'égout au plancher.

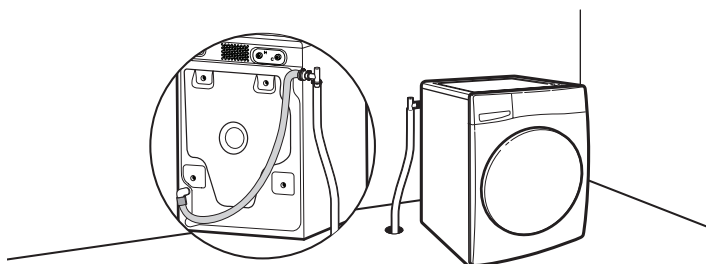
Système de vidange dans un évier de buanderie



Capacité minimale : 20 gal (76 L). Le haut de l'évier de buanderie doit être à au moins 39" (991 mm) du sol, mais pas à plus de 96" (2,44 m) du bas de la laveuse.



Système de vidange au plancher



Le système de vidange au plancher nécessite un ensemble de brise-siphon, deux ensembles de raccordement et une rallonge de tuyau de vidange qui peuvent être achetés séparément. Contacter le revendeur pour effectuer la commande ou voir la page "Assistance ou service" au dos du guide d'utilisation et d'entretien. Hauteur minimale du brise-siphon : 28" (710 mm) à partir du fond de la laveuse. (Des tuyaux supplémentaires peuvent être requis).

SPÉCIFICATIONS ÉLECTRIQUES

⚠ AVERTISSEMENT



Risque de choc électrique

- Brancher sur une prise à 3 alvéoles reliée à la terre.**
- Ne pas enlever la broche de liaison à la terre.**
- Ne pas utiliser un adaptateur.**
- Ne pas utiliser un câble de rallonge.**
- Le non-respect de ces instructions peut causer un décès, un incendie ou un choc électrique.**

- Une alimentation de 120 V, 60 Hz, CA seulement, de 15 A ou 20 A, protégée par un fusible est requise. On recommande l'emploi d'un fusible ou d'un disjoncteur temporisé. Il est recommandé de raccorder l'appareil sur un circuit distinct exclusif à cet appareil.
- Cette laveuse comporte un cordon d'alimentation électrique à 3 broches pour liaison à la terre.

INSTRUCTIONS D'INSTALLATION

⚠ AVERTISSEMENT

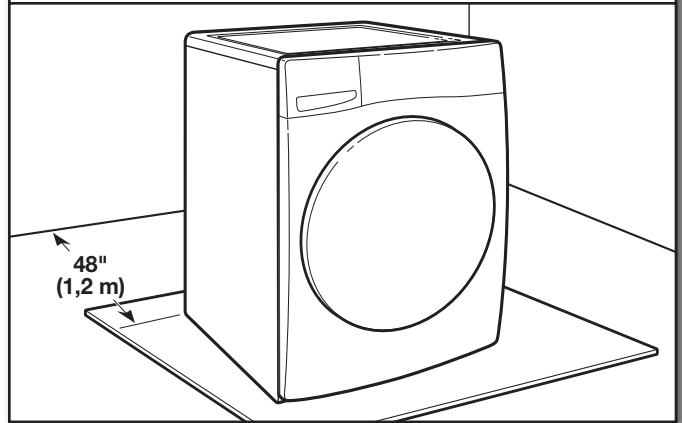
Risque du poids excessif

Utiliser deux ou plus de personnes pour déplacer et installer la laveuse.

Le non-respect de cette instruction peut causer une blessure au dos ou d'autre blessure.

REMARQUE : Pour éviter d'endommager le plancher, installer la laveuse sur un carton avant de la déplacer.

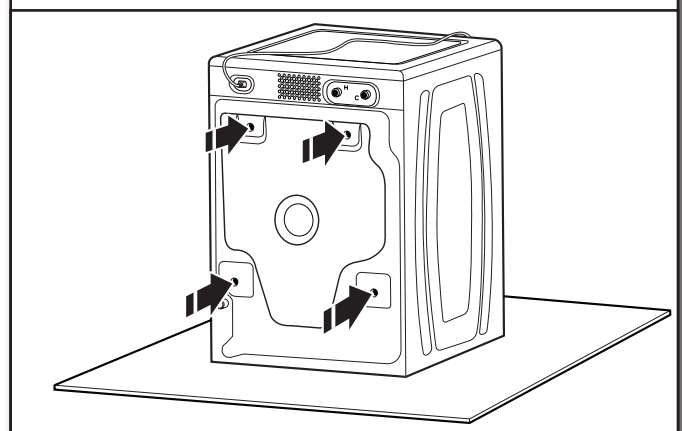
1. Déplacer la laveuse



Il est nécessaire de retirer tout le matériel d'expédition pour un fonctionnement correct et pour éviter que la laveuse ne fasse trop de bruit.

Déplacer la laveuse à moins de 4 pi (1,2 m) de son emplacement final. Elle doit être en position complètement verticale.

2. Localiser les boulons de transport



Localiser quatre boulons de transport situés l'arrière de la laveuse.

- Une alimentation de 120 V, 60 Hz, CA seulement, de 15 ou 20 A, protégée par un fusible est requise. On recommande l'emploi d'un fusible ou d'un disjoncteur temporisé. Il est recommandé de raccorder l'appareil sur un circuit distinct exclusif à cet appareil.
- Cette laveuse comporte un cordon d'alimentation électrique à 3 broches pour liaison à la terre.
- Pour minimiser les risques de choc électrique, on doit brancher le cordon sur une prise de courant de configuration correspondante, à 3 alvéoles, reliée à la terre et installée conformément aux codes et règlements locaux. Si une prise de courant de configuration correspondante n'est pas disponible, le client a la responsabilité et l'obligation de faire installer par un électricien qualifié une prise de courant correctement reliée à la terre.
- Si les codes le permettent et si l'on utilise un conducteur distinct de liaison à la terre, il est recommandé qu'un électricien qualifié vérifie la qualité de la liaison à la terre.
- Ne pas utiliser une tuyauterie de gaz pour le raccordement à la terre.
- En cas de doute quant à la qualité de la liaison à la terre de la laveuse, consulter un électricien qualifié.
- Ne pas installer un fusible dans le conducteur neutre ou le circuit de liaison à la terre.

INSTRUCTIONS DE LIAISON À LA TERRE

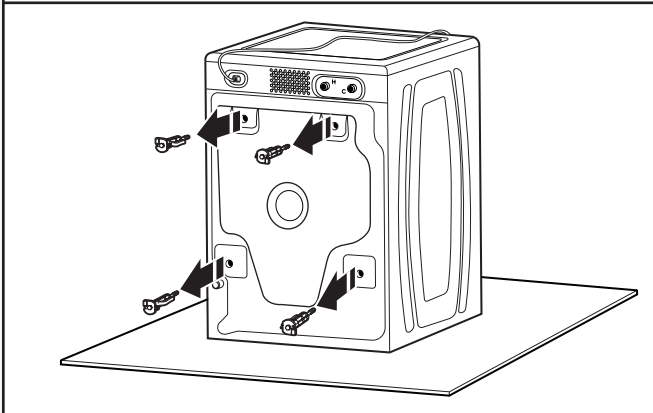
Pour une laveuse reliée à la terre et connectée par un cordon :

Cette laveuse doit être reliée à la terre. En cas d'anomalie de fonctionnement ou de panne, la liaison à la terre réduira le risque de choc électrique en offrant au courant électrique un itinéraire d'évacuation de moindre résistance. Cette laveuse est alimentée par un cordon électrique comportant un conducteur relié à la terre et une fiche de branchement munie d'une broche de liaison à la terre. La fiche doit être branchée sur une prise de courant appropriée qui est bien installée et reliée à la terre conformément à tous les codes et règlements locaux.

AVERTISSEMENT : Le raccordement incorrect de cet appareil au conducteur de liaison à la terre peut susciter un risque de choc électrique. En cas de doute quant à la qualité de la liaison à la terre de l'appareil, consulter un électricien ou technicien d'entretien qualifié.

Ne pas modifier la fiche de branchement fournie avec l'appareil – si la fiche ne correspond pas à la configuration de la prise de courant, demander à un électricien qualifié d'installer une prise de courant convenable.

3. Retirer les boulons de transport de la laveuse

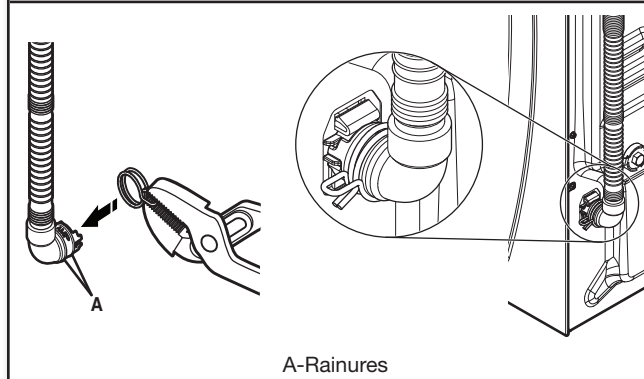


Desserrer les boulons avec une clé de 5/8" (16 mm). Déplacer chaque boulon et cale vers le centre du trou. Retirer les boulons et les cales en plastique de l'arrière de la laveuse. Jeter les boulons et cales d'espacement.

IMPORTANT : Ne pas brancher la laveuse avant d'avoir terminé l'installation.

RACCORDEMENT DU TUYAU DE VIDANGE

4. Fixation du tuyau de vidange à l'orifice de vidange



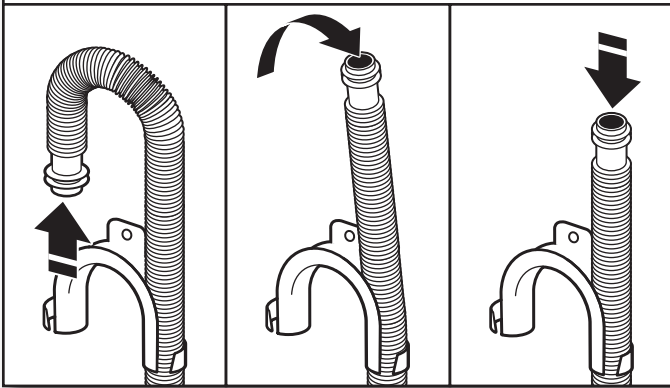
Si la bride n'est pas déjà installée sur l'extrémité coudée du tuyau de vidange, serrer la bride avec une pince et la faire glisser sur l'extrémité du tuyau en la centrant entre les rainures tel qu'illustré. Serrer la bride avec une pince et faire glisser à nouveau l'extrémité coudée du tuyau de vidange sur l'orifice de vidange, puis fixer avec la bride.

Pour un évier de buanderie ou un tuyau rigide de rejet à l'égout rigide, passer à l'étape 6.

Pour une vidange au plancher, retirer la bride de retenue pour tuyau de vidange préinstallée tel qu'indiqué à l'étape 5. Des pièces supplémentaires avec des instructions distinctes s'avèreront peut-être nécessaires. Voir "Autres pièces".

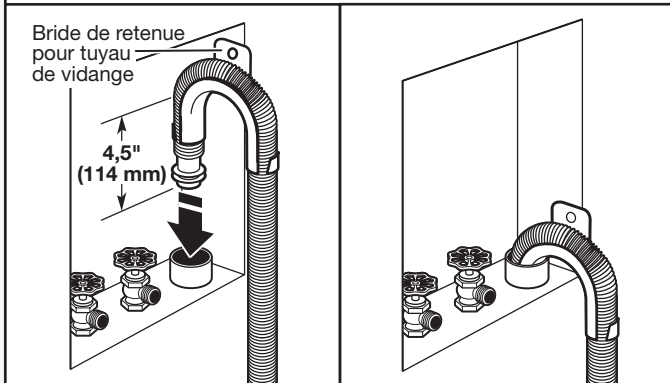
Il incombe à l'installateur d'installer et fixer solidement le tuyau de vidange à la canalisation d'évacuation de manière que le tuyau de vidange ne puisse sortir et causer d'éventuelles fuites de la canalisation d'évacuation.

5. Retrait de la bride de retenue pour tuyau de vidange (installations avec vidange au plancher uniquement)



Pour les installations avec vidange au plancher, il faut retirer la bride de retenue pour tuyau de vidange de l'extrémité du tuyau de vidange. Des pièces supplémentaires avec des directives distinctes seront peut-être nécessaires. Voir "Autres pièces".

6. Placer le tuyau de vidange dans le tuyau rigide de rejet à l'égout

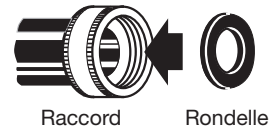


Placer le tuyau dans le tuyau rigide de rejet à l'égout (illustré sur l'image) ou par-dessus le côté de l'évier de buanderie.

IMPORTANT : 4,5" (114 mm) du tuyau de vidange doit être à l'intérieur du tuyau de rejet à l'égout; ne pas forcer l'excédent de tuyau dans le tuyau rigide de rejet à l'égout ni le placer dans l'évier de buanderie. On doit utiliser la bride de retenue pour tuyau de vidange.

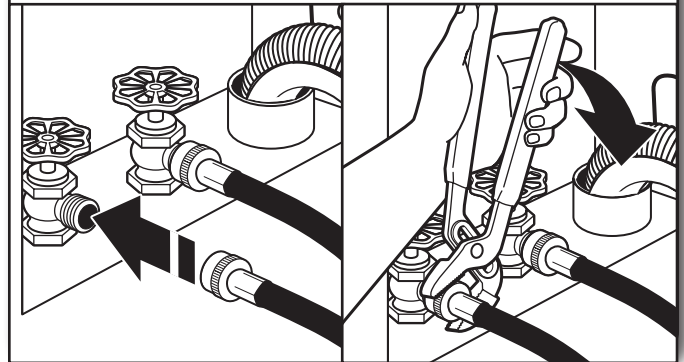
RACCORDEMENT DES TUYAUX D'ARRIVÉE D'EAU

7. Insérer les rondelles plates neuves



IMPORTANT : Afin d'éviter toute fuite, vérifier que les tuyaux d'arrivée d'eau comportent des rondelles d'étanchéité plates aux deux extrémités. La laveuse doit être raccordée aux robinets d'eau à l'aide des tuyaux d'arrivée d'eau et des rondelles neuves (non compris). Ne pas utiliser de tuyaux usagés. Ne pas utiliser de tuyaux sans installer de rondelles d'étanchéité.

8. Connecter les tuyaux d'arrivée d'eau aux robinets

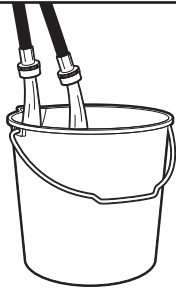


Fixer le tuyau dont l'étiquette porte la mention "hot" (chaud) au robinet d'eau chaude. Visser le raccord à la main pour qu'il repose sur la rondelle. Serrer les raccords de deux tiers de tour supplémentaires à l'aide d'une pince. Répéter cette étape avec le tuyau portant la mention "cold" (froide) pour le robinet d'eau froide. Les deux tuyaux doivent être raccordés pour que la laveuse fonctionne correctement.

IMPORTANT : Ne pas serrer excessivement ni utiliser de ruban adhésif ou de dispositifs d'étanchéité lors de la fixation des robinets ou de la laveuse. Cela pourrait entraîner des dommages.

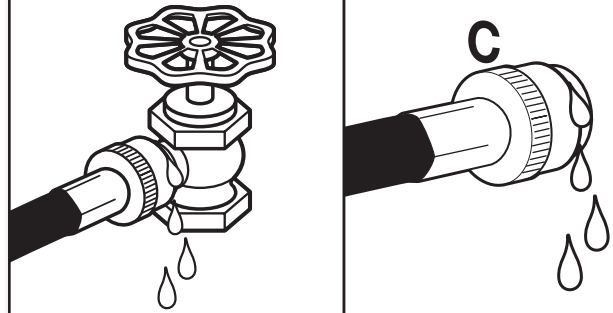
CONSEIL UTILE : Repérer quel tuyau est raccordé à l'eau chaude pour permettre une fixation correcte des tuyaux à la laveuse. Dans la plupart des configurations standard, les tuyaux se croisent lorsque fixés correctement.

9. Purger les canalisations d'eau



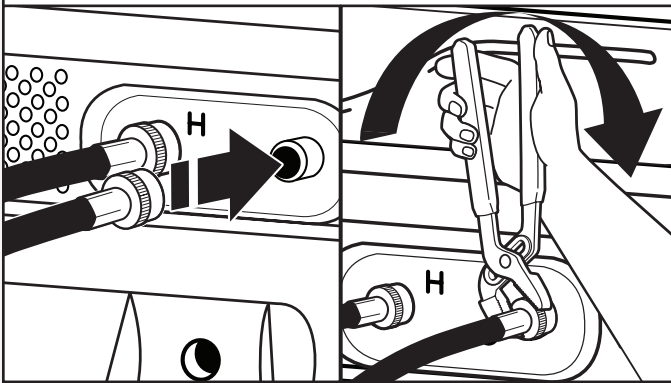
Faire couler pendant quelques secondes l'eau par les tuyaux dans l'évier de buanderie, le tuyau rigide de rejet à l'égout ou le seau pendant quelques secondes pour éviter toute obstruction. On doit laisser couler l'eau jusqu'à ce qu'elle soit limpide.

11. Rechercher les fuites éventuelles



Ouvrir lentement les robinets d'eau pour vérifier qu'il n'y a pas de fuite. Une petite quantité d'eau peut entrer dans la laveuse. Elle s'évacuera plus tard.

10. Connecter les tuyaux d'arrivée d'eau à la laveuse



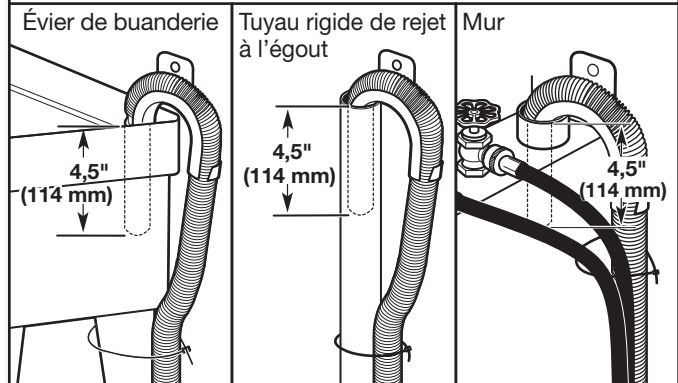
Fixer le tuyau d'eau chaude au robinet d'arrivée d'eau chaude. Visser le raccord à la main jusqu'à ce qu'il soit bien serré. Serrer les raccords de deux tiers de tour supplémentaires à l'aide d'une pince. Répéter pour le robinet d'eau froide.

IMPORTANT : Ne pas serrer excessivement ni utiliser de ruban adhésif ou de dispositifs d'étanchéité sur la valve lors de la fixation des robinets ou de la laveuse. Cela pourrait entraîner des dommages.

REMARQUE : Pour réduire le risque de défaillance des tuyaux, remplacer les tuyaux tous les 5 ans. Inscrire la date d'installation ou de remplacement des tuyaux pour référence ultérieure.

- Inspecter périodiquement les tuyaux et les remplacer en cas de renflement, de déformation, de coupure, d'usure ou si une fuite se manifeste.

12. Immobiliser le tuyau de vidange

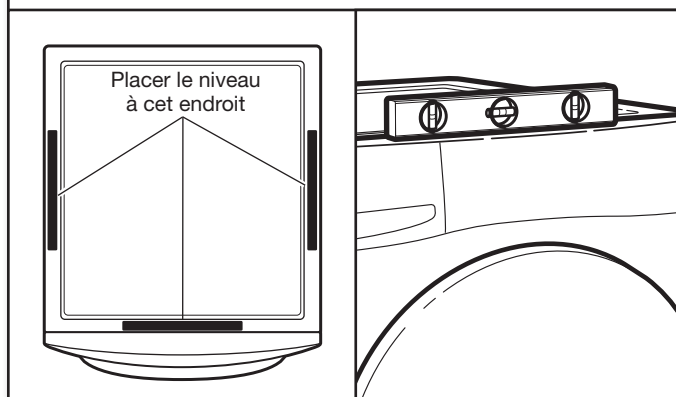


Fixer le tuyau de vidange au pied de l'évier de buanderie, au tuyau de rejet à l'égout ou aux tuyaux d'arrivée d'eau pour le tuyau de rejet à l'égout mural avec l'attache-câble.

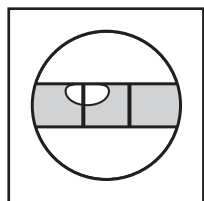
ÉTABLISSEMENT DE L'APLOMB DE LA LAVEUSE

IMPORTANT : L'établissement correct de l'aplomb de la laveuse permet de réduire les nuisances sonores et de limiter les vibrations.

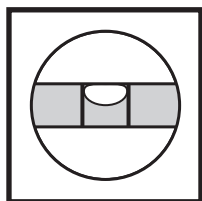
13. Contrôler l'aplomb de la laveuse



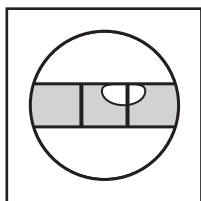
Enlever le morceau de carton placé sous la laveuse. Placer un niveau sur les bords supérieurs de la laveuse en contrôlant chaque côté et l'avant. Si elle n'est pas d'aplomb, faire basculer la laveuse et régler les pieds vers le haut ou vers le bas tel qu'indiqué dans les étapes 15 et 16, et recommencer si nécessaire.



Pas d'aplomb

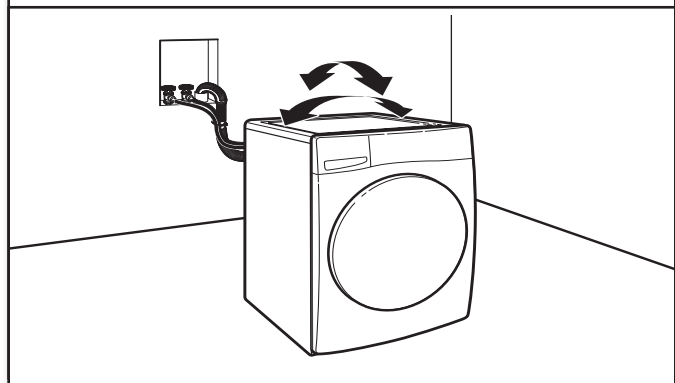


APLOMB



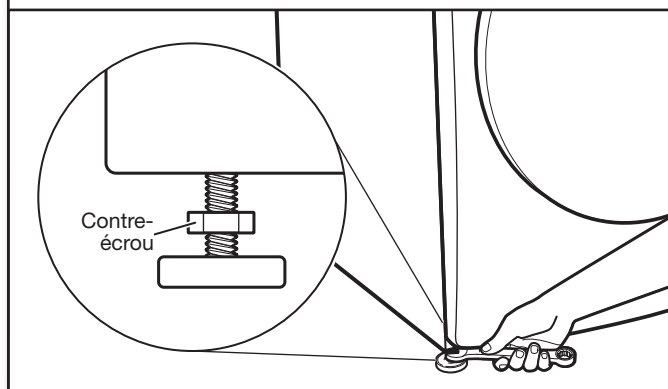
Pas d'aplomb

14. Faire basculer la laveuse pour tester la stabilité des pieds sur le plancher



Saisir la laveuse par le dessus et la faire basculer d'avant en arrière tout en s'assurant que les quatre pieds sont en contact ferme avec le plancher. Faire de nouveau basculer la laveuse, transversalement. Si la laveuse bascule, passer à l'étape 15 et ajuster les pieds de nivellement. Si les quatre pieds sont en contact ferme avec le plancher, passer à l'étape 16.

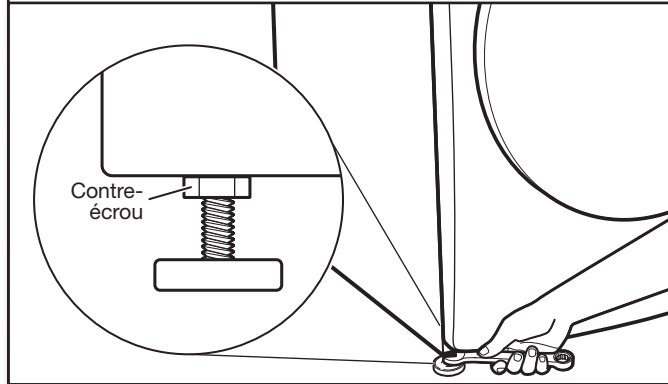
15. Ajuster les pieds de nivellement



Si la laveuse n'est pas d'aplomb, utiliser une clé plate ou une clé à molette de 9/16" (14 mm) pour tourner les contre-écrous dans le sens horaire jusqu'à ce qu'ils se trouvent à environ 1/2" (13 mm) de la caisse de la laveuse. Tourner ensuite le pied de nivellement dans le sens horaire pour abaisser la laveuse ou antihoraire pour la soulever. Ne dépassez pas 2" (50 mm) du bas du pied au bas de l'armoire. Contrôler à nouveau l'aplomb de la laveuse et vérifier que les quatre pieds sont bien au contact du plancher. Répéter au besoin.

CONSEIL UTILE : Il serait judicieux de soulever l'avant de la laveuse d'environ 4" (102 mm) à l'aide d'une cale en bois ou d'un objet similaire qui soutiendra le poids de la laveuse.

16. Serrer les pieds de nivellement



Une fois que la laveuse est d'aplomb et que les quatre pieds sont bien au contact du plancher, de la laveuse établi, utiliser une clé plate ou une clé à molette de 9/16" (14 mm) pour tourner les contre-écrous sur les pieds de nivellement dans le sens anti-horaire et les serrer fermement contre la caisse de la laveuse.

CONSEIL UTILE : Il serait judicieux d'étayer la laveuse à l'aide d'une cale en bois.

⚠ AVERTISSEMENT



Risque de choc électrique

Brancher sur une prise à 3 alvéoles reliée à la terre.

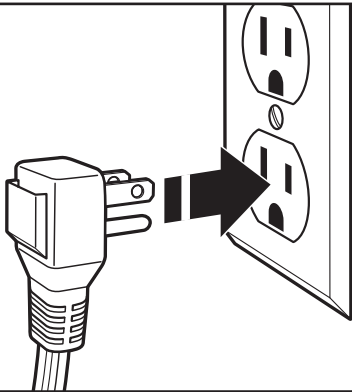
Ne pas enlever la broche de liaison à la terre.

Ne pas utiliser un adaptateur.

Ne pas utiliser un câble de rallonge.

Le non-respect de ces instructions peut causer un décès, un incendie ou un choc électrique.

17. Brancher sur une prise à 3 alvéoles reliée à la terre



LISTE DE VÉRIFICATION POUR L'ACHÈVEMENT DE L'INSTALLATION

- Consulter les spécifications électriques. S'assurer de disposer d'une source d'électricité appropriée et d'une liaison à la terre conforme à la méthode recommandée.
- Vérifier que toutes les pièces sont maintenant installées. S'il reste une pièce, passer en revue les différentes étapes pour découvrir laquelle aurait été oubliée.
- Vérifier la présence de tous les outils.
- Vérifier que tout le matériel d'expédition a été retiré de l'arrière de la laveuse.
- Vérifier que les tuyaux d'arrivée d'eau chaude et d'eau froide sont bien fixés et que les robinets d'eau sont ouverts.
- Vérifier qu'il n'y a pas de fuite autour des robinets et des tuyaux d'arrivée d'eau.
- Ôter la pellicule protectrice de la console et tout ruban adhésif resté sur la laveuse.
- Vérifier que la laveuse est branchée sur une prise de courant à 3 alvéoles reliée à la terre.
- Éliminer/recycler tous les matériaux d'emballage.
- Lire "Utilisation de la laveuse" dans le Guide d'utilisation et d'entretien de la laveuse.
- Pour tester la laveuse et la nettoyer, appuyer sur POWER (mise sous tension), sélectionner le programme Quick (rapide) et la faire fonctionner sans vêtements. Utiliser uniquement un détergent HE. Utiliser la moitié de la quantité recommandée par le fabricant pour une charge de taille moyenne.

WHIRLPOOL® DRYER RACK OFFER

A dryer rack is included as part of your purchase of this front load washer match dryer. It will ship separately upon completion of the steps below, at no additional cost:

1. Register your dryer online at register.whirlpool.com. Be sure to enter a valid email address.
2. Once registered, you will receive an email with a unique promo code to be used at checkout on the Whirlpool Accessories page.

Dryer Rack Part # W10322470



Whirlpool®

This offer is valid in the U.S. & Canada only.

©2020 Whirlpool. All rights reserved. Insert No. W11476230A. 09/20. WPX9180

WHIRLPOOL® OFFRE DE GRILLE DE SÉCHEUSE

Une grille de séchage est incluse dans le cadre de votre achat de cette laveuse à chargement frontal. Elle sera expédiée séparément après avoir complété les étapes ci-dessous, sans frais supplémentaires :

1. Enregistrez votre sécheuse en ligne sur **register.whirlpool.com**. Veuillez entrer une adresse de courriel valide.
2. Après l'enregistrement, vous recevrez un courriel avec un code promotionnel unique à utiliser lors du paiement sur la page Accessoires Whirlpool.

Grille de sécheuse pièce no W10322470



Whirlpool®

Cette offre n'est valable qu'aux États-Unis et au Canada.

©2020 Whirlpool. Tous droits réservés. No d'insertion W11476230A. 09/20. WPX9180

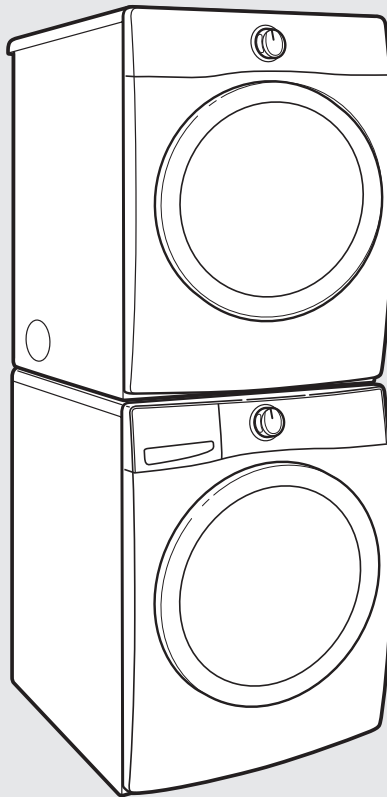


Installation Instructions Instrucciones de instalación Instructions d'installation

Stack Kit

Juego para lavadora y secadora

Ensemble superposé



Kit Number W10869845
Número de juego W10869845
Ensemble numéro W10869845

For use only with front-load washers and dryers
Para uso sólo con lavadoras y secadoras de carga frontal
Pour utilisation avec laveuses et sécheuses à chargement
par l'avant seulement

If you have any problems or questions, visit us at www.whirlpool.com
Si tiene cualquier problema o duda, visítenos en www.whirlpool.com
Pour tout problème ou toute question, consulter www.whirlpool.ca

Table of Contents

STACK KIT SAFETY	2
INSTALLATION REQUIREMENTS	2
Tools and Parts	2
Location Requirements.....	3
Uninstall Washer and Dryer	4
If Your Washer or Dryer Is Still in Its Packaging.....	4
INSTALLATION INSTRUCTIONS	5
Complete Installation	6

Índice

SEGURIDAD DEL JUEGO PARA LAVADORA Y SECADORA SUPERPUSTAS	7
REQUISITOS DE INSTALACIÓN	7
Herramientas y piezas	7
Requisitos de ubicación	8
Como desinstalar la lavadora y la secadora	9
Si su lavadora o secadora está aún en su empaque	9
INSTRUCCIONES DE INSTALACIÓN	10
Complete la instalación	11

Table des matières

SÉCURITÉ DE L'ENSEMBLE SUPERPOSÉ	12
EXIGENCES D'INSTALLATION	12
Outillage et pièces	12
Exigences d'emplacement	13
Désinstallation de la laveuse et de la sécheuse.....	14
Si la laveuse ou la sécheuse est encore dans son emballage..	14
INSTRUCTIONS D'INSTALLATION	15
Achever l'installation.....	16

STACK KIT SAFETY

Your safety and the safety of others are very important.

We have provided many important safety messages in this manual and on your appliance. Always read and obey all safety messages.



This is the safety alert symbol.

This symbol alerts you to potential hazards that can kill or hurt you and others.

All safety messages will follow the safety alert symbol and either the word "DANGER" or "WARNING."

These words mean:

⚠ DANGER

You can be killed or seriously injured if you don't immediately follow instructions.

⚠ WARNING

You can be killed or seriously injured if you don't follow instructions.

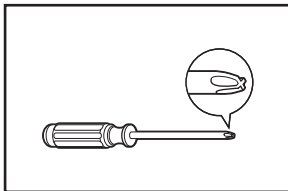
All safety messages will tell you what the potential hazard is, tell you how to reduce the chance of injury, and tell you what can happen if the instructions are not followed.

INSTALLATION REQUIREMENTS

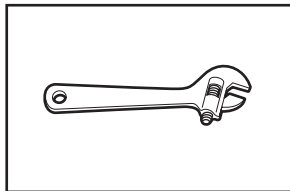
TOOLS AND PARTS

Gather the required tools and parts before starting installation.

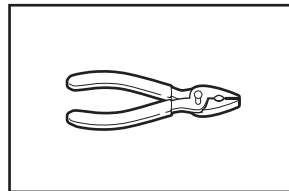
Tools needed:



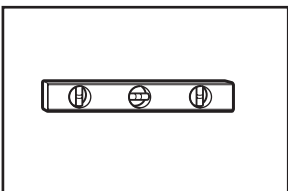
#2 Phillips screwdriver



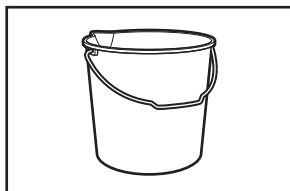
Adjustable wrench that opens to 2" (51 mm)



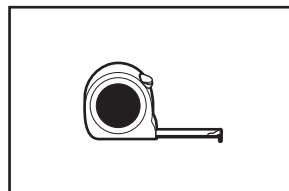
Pliers or slip-joint pliers (for drain and inlet hoses)



Level

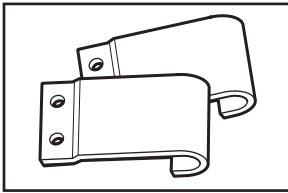


Bucket

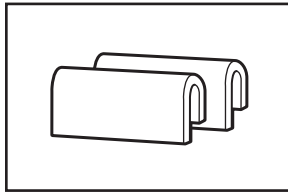


Tape measure

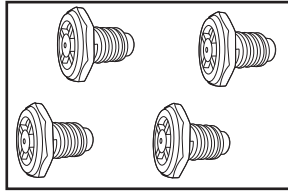
Parts supplied:



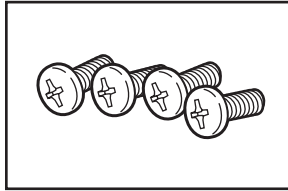
Hooked brackets (2)



Plastic clips (2)



Feet (4)

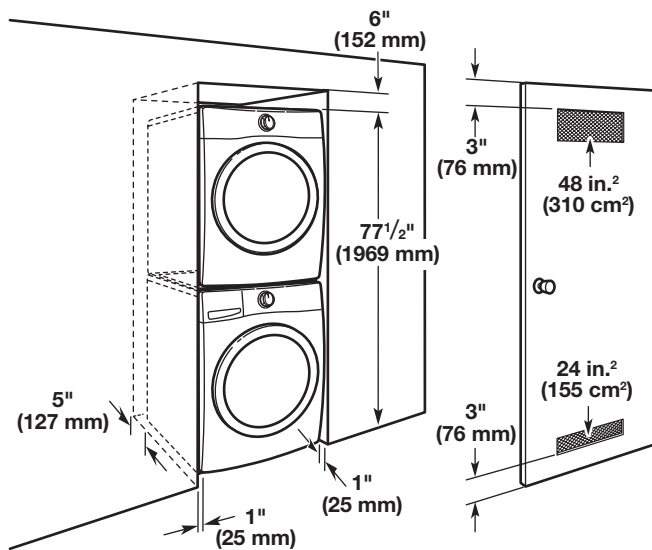


Pan-head screws (4)

LOCATION REQUIREMENTS

Recessed Area and Closet Installation Instructions

IMPORTANT: The stacked washer/dryer can be installed in an enclosure. Check the locations of the water supply faucets, grounded electrical outlets, and gas supply line connection (gas dryer only). Depending on your application, longer washer fill hoses, longer electric power supply cords, and a longer flexible stainless steel gas connector line than that supplied with the washer/dryer may be needed.



If the water supply faucets, electrical outlets, gas supply line, or power cord need modification, have a qualified plumber, electrician, or gas technician make the changes.

Mobile home – Additional installation requirements

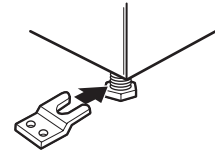
This dryer is suitable for mobile home installations. The installation must conform to the Manufactured Home Construction and Safety Standard, Title 24 CFR, Part 3280 (formerly the Federal Standard for Mobile Home Construction and Safety, Title 24, HUD Part 280) or the Canadian Manufactured Home Standard CAN/CSA-Z240 MH.

Mobile home installations require special parts (listed following), which are available for purchase from your local dealer or service center.

Stacked pair must be securely fastened to the floor.

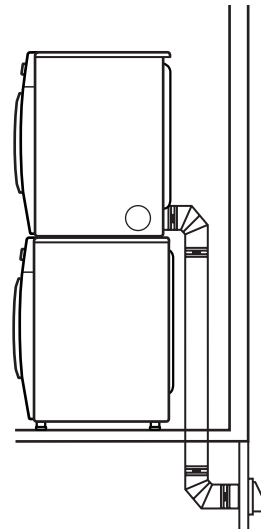
Parts Needed:

- Mobile Home Installation Kit, Part Number 346764, needs to be purchased to accomplish this. Order 2 kits to enable you to secure both the front and the back of the unit to the floor.
- Metal exhaust system hardware.



Special provisions must be made in mobile homes to introduce outside air into the dryer. The opening (such as a nearby window) should be at least twice as large as the dryer exhaust opening.

The exhaust vent must be securely fastened to a noncombustible portion of the mobile home structure and must not terminate beneath the mobile home. Terminate the exhaust vent outside.



UNINSTALL WASHER AND DRYER

IMPORTANT: If your washer and dryer are already installed, they must be uninstalled.

If you need to uninstall your washer or dryer, see the Installation Instructions that came with your model for tools required.

WARNING

Excessive Weight Hazard

Use two or more people to move washer or dryer.

Failure to do so can result in back or other injury.

Uninstalling Your Washer

1. Turn off the hot and cold water faucets.
2. Unplug the power supply cord.
3. Slowly loosen the fill hoses at the faucets to relieve the water pressure. Use a sponge or towel to absorb the released water.
4. Remove the "HOT" and "COLD" fill hoses from the back of the washer. Drain water in the hoses into a bucket.
5. Remove the drain hose from the wall drain pipe or utility sink and drain any water in the hose into a bucket.

Uninstalling Your Electric Dryer

1. Unplug the power supply cord.
2. Pull the dryer away from the wall enough to loosen the vent clamp. Loosen the clamp and gently remove the exhaust vent from the dryer exhaust outlet.

Steam Models Only:

3. Turn off water faucet.
4. Disconnect the water inlet hose from faucet, then drain the hose into a bucket.

Uninstalling Your Gas Dryer

1. Unplug the power supply cord.
2. Turn off the gas supply.
3. Pull the dryer away from the wall enough to loosen the vent clamp. Loosen the clamp and gently remove the exhaust vent from the dryer exhaust outlet.
4. Disconnect the flexible gas supply line from the dryer. Put a piece of tape over the open ends of the gas line connection fittings.

Steam Models Only:

5. Turn off water faucet.
6. Disconnect the water inlet hose from faucet, then drain the hose into a bucket.

IF YOUR WASHER OR DRYER IS STILL IN ITS PACKAGING

WARNING

Excessive Weight Hazard

Use two or more people to move washer or dryer.

Failure to do so can result in back or other injury.

Position the packaged washer or dryer close to its final position. Cut the packaging as follows:

- **Washer:** Cut plastic film along dotted cut line around the base. Remove the packaging. Do not remove the shipping bolts.
- **Dryer:** Cut around top and down corners along dotted cut lines. Discard carton top, corner posts, and sides. Leave carton bottom underneath dryer.

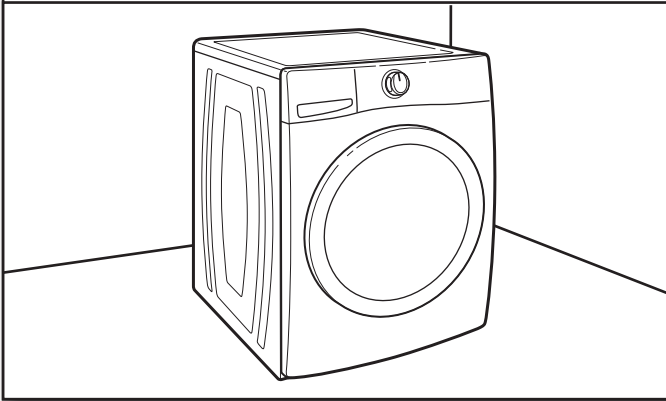
INSTALLATION INSTRUCTIONS

⚠ WARNING

Excessive Weight Hazard

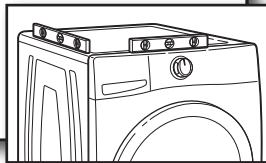
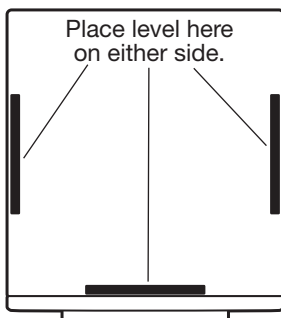
Use two or more people to move washer or dryer.
Failure to do so can result in back or other injury.

1. Move washer to its final location

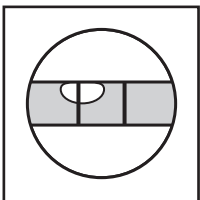


Leave room to work behind washer. Do not remove the shipping bolts.

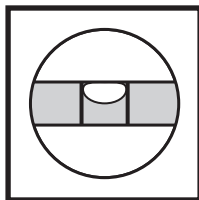
2. Check levelness of washer



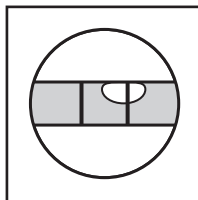
Place a level on top edges of washer, checking each side and front. If not level, tip washer and adjust feet up or down as shown in Installation Instructions, repeating as necessary.



Not Level

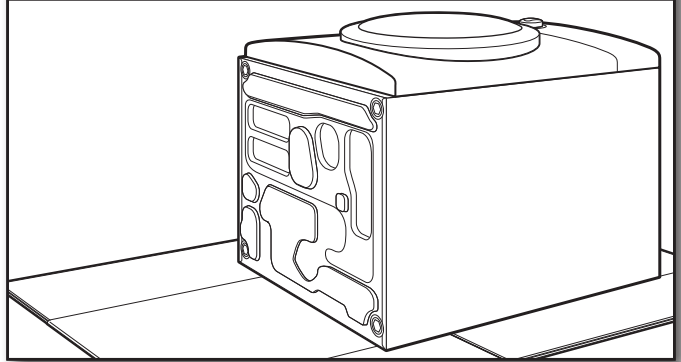


LEVEL



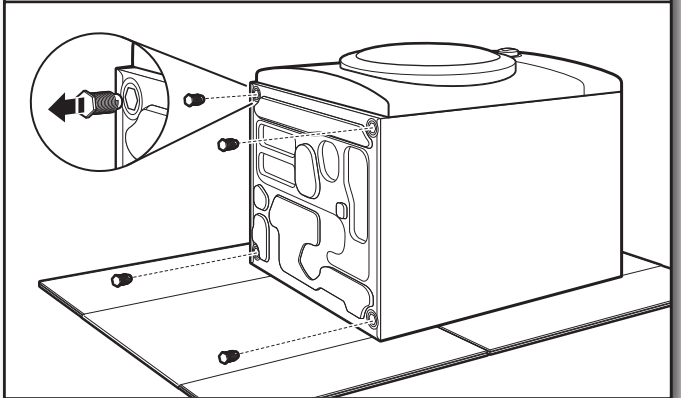
Not Level

3. On covering, lay dryer on side or back



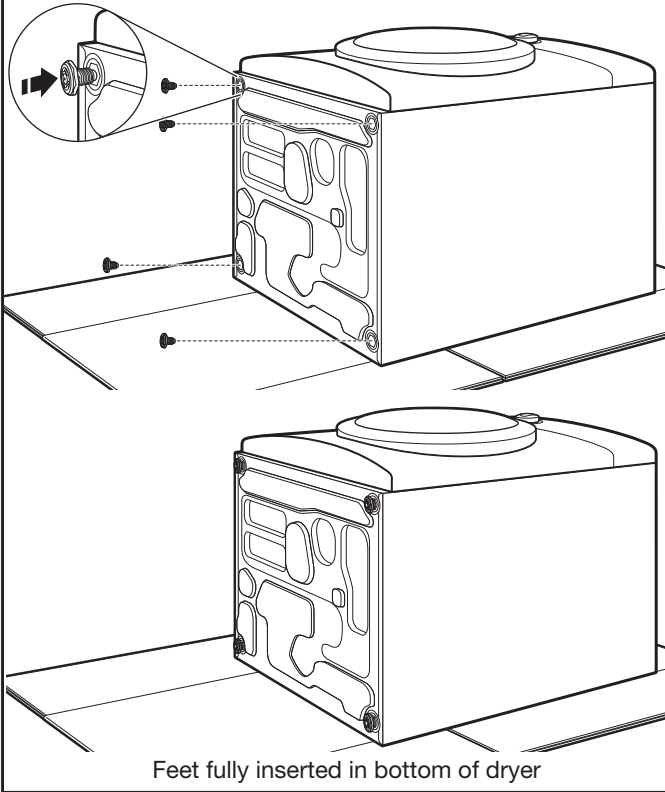
Place a covering, such as cardboard or a blanket, on the floor to avoid damage. Gently lay the dryer down with its side or back on the covering.

4. Remove existing feet, if present



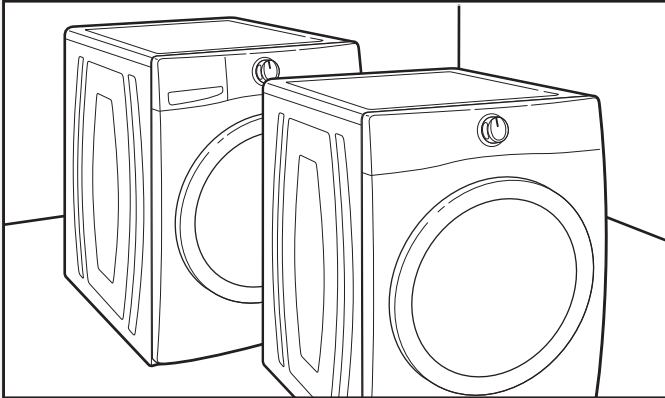
Using a wrench or slip-joint pliers, remove the existing feet if present.

5. Install feet on dryer



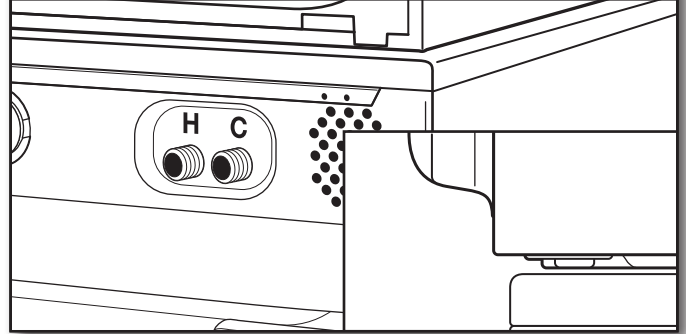
Using a wrench or slip-joint pliers, install the new feet, turning them fully into the bottom of the dryer.

6. Stand dryer up and slide to front of washer



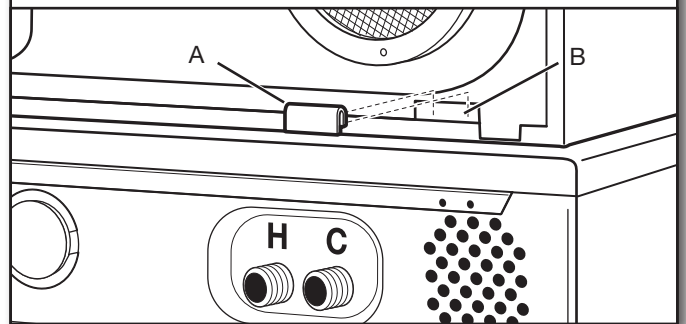
Lift the dryer back to an upright position, keeping it on the cardboard (or carton bottom). Use the cardboard to slide the dryer to the front of the washer to avoid damaging the rubber feet.

7. Place dryer on washer



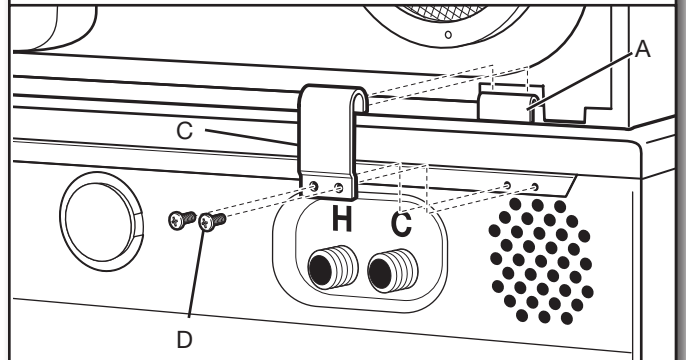
Lift the dryer up and set securely on top of washer. Position dryer to slightly overhang the back of the washer – too much overhang will allow the rear feet to slip off the back of the washer top.

8. Install plastic clips



Remove the plastic clips (2), brackets (2), and pan-head screws (4) from the parts bag. Take a plastic clip (A) and, with the flat side facing out, push it down onto the lower edge of the slot (B) in the dryer back. A flat-blade screwdriver may help to open the plastic clip slightly. Repeat on other side.

9. Install brackets



Push the hooked end of the bracket (C) down over the plastic clip (A). A flat-blade screwdriver may help to seat the bracket over the plastic clip. Slide the dryer forward as needed and attach bracket (C) to washer with pan-head screws (D). Tighten screws securely. Repeat on other side.

COMPLETE INSTALLATION

Follow the Installation Instructions that came with your washer and dryer to remove the shipping bolts and complete the installation.

SEGURIDAD DEL JUEGO PARA LAVADORA Y SECADORA SUPERPUESTAS

Su seguridad y la seguridad de los demás es muy importante.

Hemos incluido muchos mensajes importantes de seguridad en este manual y en su electrodoméstico. Lea y obedezca siempre todos los mensajes de seguridad.



Este es el símbolo de alerta de seguridad.

Este símbolo le llama la atención sobre peligros potenciales que pueden ocasionar la muerte o una lesión a usted y a los demás.

Todos los mensajes de seguridad irán a continuación del símbolo de advertencia de seguridad y de la palabra "PELIGRO" o "ADVERTENCIA". Estas palabras significan:

⚠ PELIGRO

Si no sigue las instrucciones de inmediato, usted puede morir o sufrir una lesión grave.

⚠ ADVERTENCIA

Si no sigue las instrucciones, usted puede morir o sufrir una lesión grave.

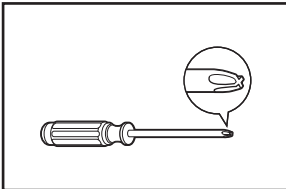
Todos los mensajes de seguridad le dirán el peligro potencial, le dirán cómo reducir las posibilidades de sufrir una lesión y lo que puede suceder si no se siguen las instrucciones.

REQUISITOS DE INSTALACIÓN

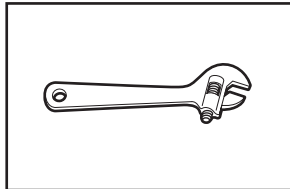
HERRAMIENTAS Y PIEZAS

Reúna las herramientas y piezas necesarias antes de comenzar la instalación.

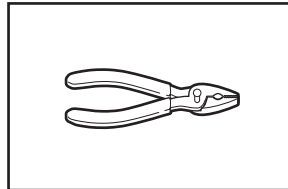
Herramientas necesarias:



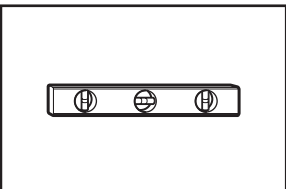
Destornillador Phillips # 2



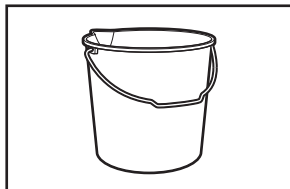
Llave de tuercas ajustable de 2" (51 mm)



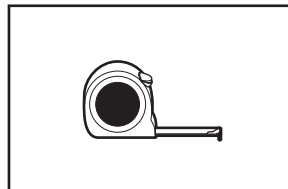
Pinzas o pinzas de junta movediza (para las mangueras de desagüe y de entrada)



Nivel

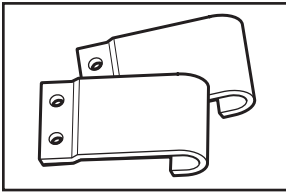


Balde

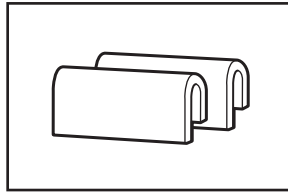


Cinta para medir

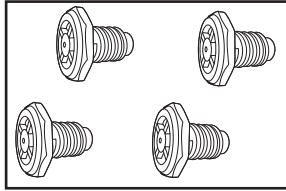
Piezas suministradas:



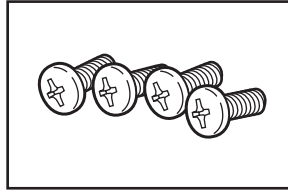
Soporte en forma de gancho (2)



Sujetador de plástico (2)



Patas (4)

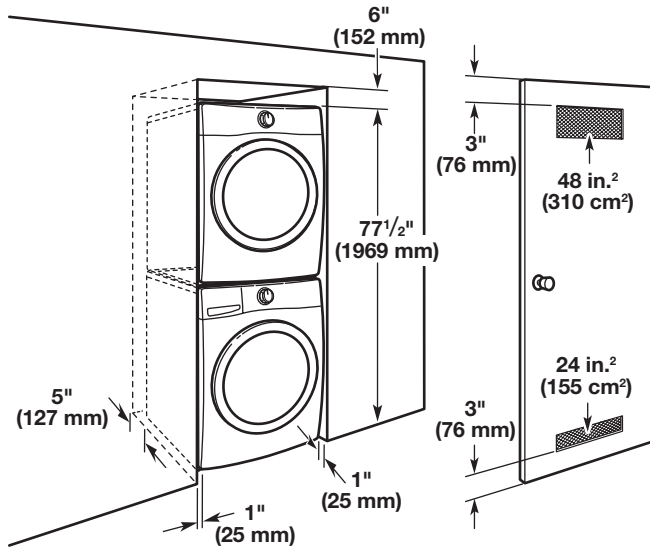


Tornillos de cabeza de cono achatado (4)

REQUISITOS DE UBICACIÓN

Instrucciones para la instalación empotrada o en clóset

IMPORTANTE: La lavadora/secadora superpuestas pueden ser instaladas en un lugar encerrado. Verifique la ubicación de las llaves de suministro de agua, las instalaciones eléctricas a tierra y la línea de conexión del suministro de gas (sólo para secadora a gas). Según el modo de empleo, puede necesitar mangueras de llenado, cables de suministro de energía y una línea de conexión de gas de acero inoxidable flexible más largos que los suministrados con la lavadora/secadora.



Si necesita modificar las llaves de suministro de agua, las instalaciones eléctricas, la línea de suministro de gas o el cable de alimentación eléctrica, haga que un plomero calificado, un electricista o un técnico de gas hagan los cambios.

Casas rodantes – Requisitos adicionales de instalación

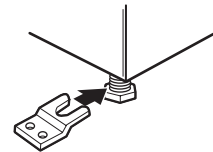
Esta secadora es adecuada para su instalación en casas rodantes. La instalación deberá cumplir con el Estándar de Construcción y Seguridad de Casas Prefabricadas, Título 24 CFR, Sección 3280 (anteriormente el Estándar Federal de Construcción y Seguridad de Casas Rodantes, Título 24, HUD Sección 280).

Las instalaciones en casas rodantes requieren de piezas especiales (listadas a continuación), las cuales están a la disposición para su compra por medio de su distribuidor o centro de servicio local.

Las unidades apiladas de lavadora y secadora deberán estar fijadas al piso de manera segura.

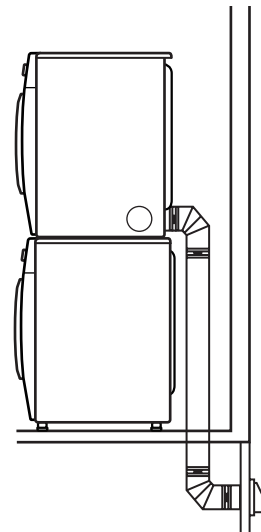
Partes Necesarias:

- Habrá que comprar el juego de instalación para casas rodantes, pieza número 346764, para llevar esto a cabo. Pida 2 juegos para permitirle asegurar al piso tanto la sección delantera como trasera de la unidad.
- Accesorios para el sistema de salida de aire de metal.



Habrà que hacer modificaciones especiales en las casas rodantes para introducir el aire exterior en la secadora. La abertura (tal como una ventana cercana) deberá ser de al menos dos veces el tamaño de la abertura del tubo de salida de aire de la secadora.

Habrà que fijar el ducto de escape de manera segura a una sección no combustible de la estructura de la casa rodante y no deberá terminar debajo de la casa rodante. Termine el ducto de escape en un área exterior.



CÓMO DESINSTALAR LAVADORA Y LA SECADORA

IMPORTANTE: Si su lavadora y secadora ya están instaladas, deben ser desinstaladas.

Si necesita desinstalar su lavadora o secadora, vea las herramientas necesarias en las “Instrucciones de Instalación” que vinieron con su modelo.

ADVERTENCIA

Peligro de Peso Excesivo

Use dos o más personas para mover la lavadora o la secadora.

No seguir esta instrucción puede ocasionar una lesión en la espalda u otro tipo de lesiones.

Cómo desinstalar su lavadora

1. Cierre las llaves de agua caliente y fría.
2. Desenchufe el cable de alimentación eléctrica.
3. Afloje lentamente las mangueras de llenado en las llaves para aliviar la presión del agua. Use una esponja o una toalla para absorber el agua derramada.
4. Retire las mangueras de llenado “HOT” (Caliente) y “COLD” (Fría) de la parte posterior de la lavadora. Drene el agua de las mangueras en un balde.
5. Quite la manguera de desagüe del tubo de desagüe o del lavadero utilitario y drene en un balde el agua que pueda haber en la manguera.

Cómo desinstalar su secadora eléctrica

1. Desenchufe el cable de alimentación eléctrica.
2. Retire la secadora de la pared lo necesario para aflojar la abrazadera de ventilación. Afloje la abrazadera y retire con cuidado la salida de aire del escape de la secadora.

Modelos con vapor únicamente:

3. Cierre la llave del agua.
4. Desconecte la manguera de entrada de agua del grifo y desagüe la manguera en una cubeta.

Cómo desinstalar su secadora a gas

1. Desenchufe el cordón de alimentación eléctrica.
2. Corte el suministro de gas.
3. Retire la secadora de la pared lo necesario para aflojar la abrazadera de ventilación. Afloje la abrazadera y retire con cuidado la salida de aire del escape de la secadora.
4. Desconecte el suministro flexible de gas de la secadora. Coloque un pedazo de cinta adhesiva sobre los extremos de las conexiones de la tubería de gas.

Modelos con vapor únicamente:

5. Cierre la llave del agua.
6. Desconecte la manguera de entrada de agua del grifo y desagüe la manguera en una cubeta.

SI SU LAVADORA O SECADORA ESTÁ AÚN EN SU EMPAQUE

ADVERTENCIA

Peligro de Peso Excesivo

Use dos o más personas para mover la lavadora o la secadora.

No seguir esta instrucción puede ocasionar una lesión en la espalda u otro tipo de lesiones.

Coloque la lavadora/secadora con su embalaje cerca de su posición final. Corte el embalaje de la siguiente manera:

- Lavadora: Corte la película de plástico a lo largo de la línea de corte punteada alrededor de la base. Quite el embalaje. No quite los pernos de empaque.
- Secadora: Corte el cartón alrededor de la parte superior y de las esquinas hacia abajo a lo largo de las líneas de corte punteadas. Descarte la parte superior, los postes de cartón esquineros y los laterales. Deje el piso de cartón debajo de la secadora.

INSTRUCCIONES DE INSTALACIÓN

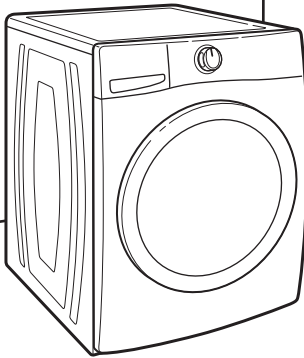
⚠️ ADVERTENCIA

Peligro de Peso Excesivo

Use dos o más personas para mover la lavadora o la secadora.

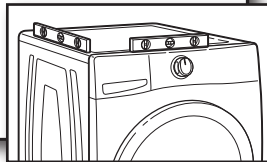
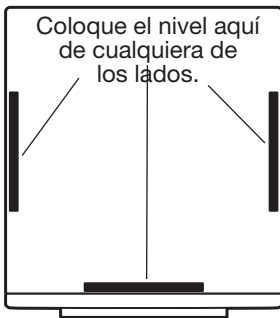
No seguir esta instrucción puede ocasionar una lesión en la espalda u otro tipo de lesiones.

1. Traslade la lavadora hacia su ubicación final

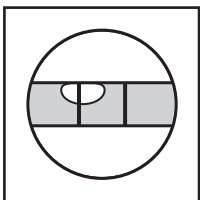


Deje espacio para trabajar detrás de la lavadora. No quite los pernos de empaque.

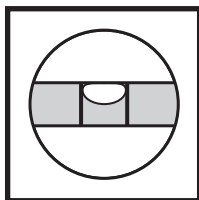
2. Revise la nivelación de la lavadora



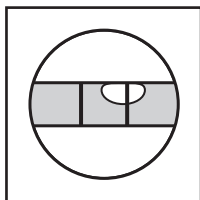
Coloque un nivel en los bordes superiores de la lavadora, revisando cada lado y el frente. Si la lavadora no está nivelada, inclínala y ajuste las patas hacia arriba o hacia abajo, como se muestra en las Instrucciones de instalación, repitiendo si es necesario.



No está nivelada

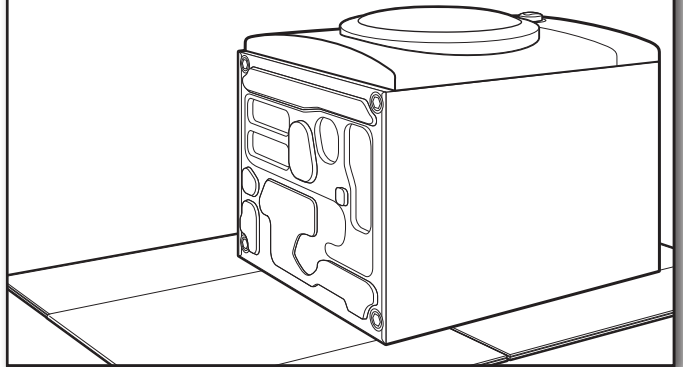


NIVELADA



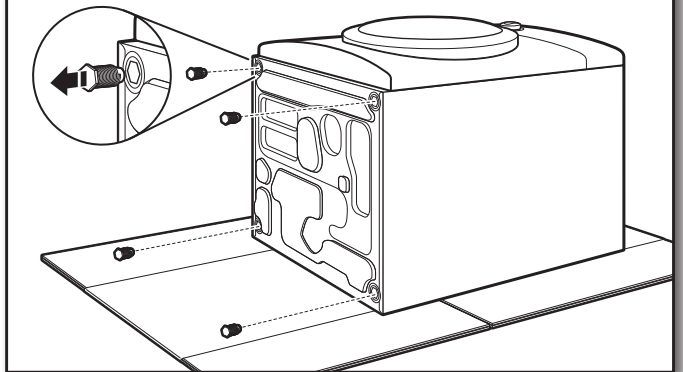
No está nivelada

3. Sobre una cubierta, coloque la secadora sobre el lado o la parte posterior



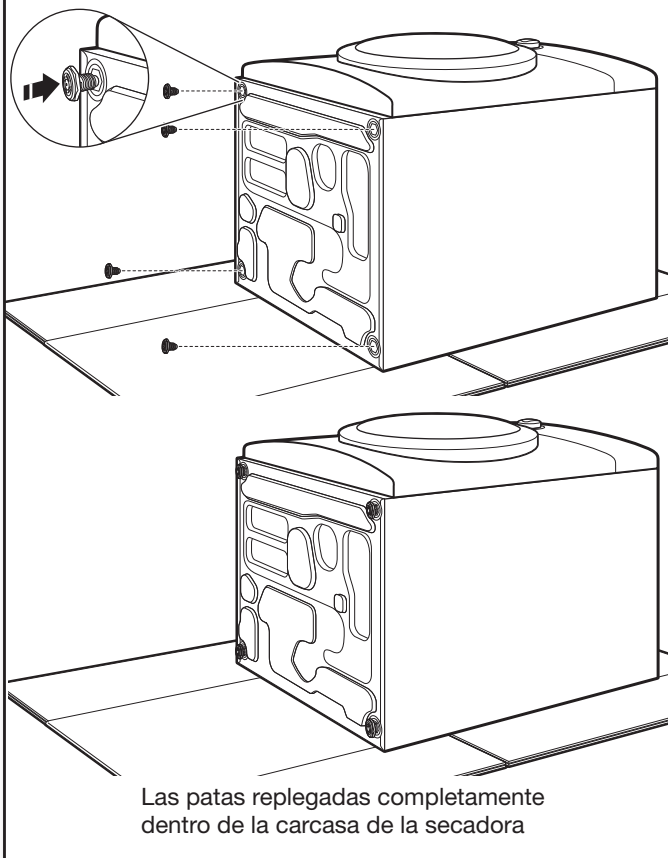
Coloque una cubierta sobre el piso, como un trozo de cartón o una cobija, para evitar daños. Coloque la secadora con cuidado, con el costado o la parte posterior sobre la cubierta.

4. Retire las patas existentes, (si están presentes)



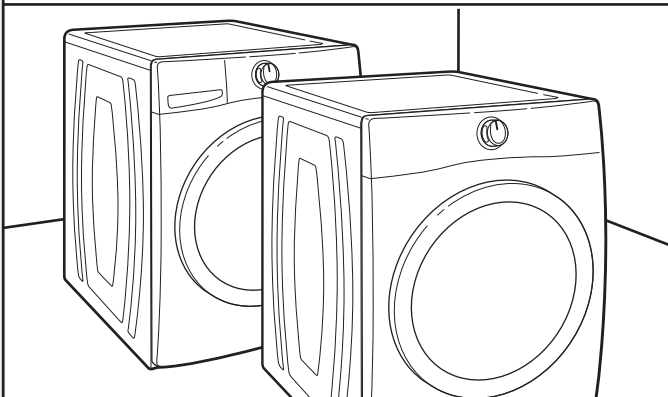
Usando una llave de tuercas o una pinzas de junta movediza, retire las patas existentes, (si están presentes).

5. Instale las patas en la secadora.



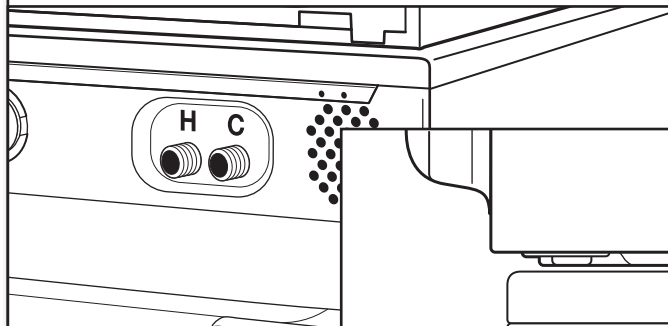
Usando una llave de tuercas o una pinzas de junta movediza, instale las nuevas patas, girándolas completamente dentro de la carcasa de la secadora.

6. Coloque la secadora en posición vertical y deslícela hacia el frente de la lavadora



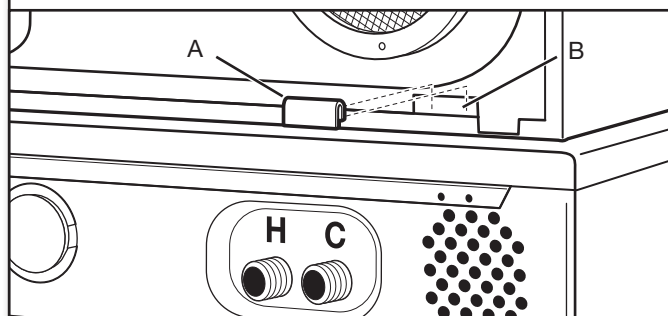
Levante la secadora de manera que quede en posición vertical, mántengalo en el pedazo de cartón (o en el piso de cartón). Use el pedazo de cartón para deslizar la secadora al frente de la lavadora, para evitar daños en las patas de goma.

7. Coloque la secadora en la lavadora



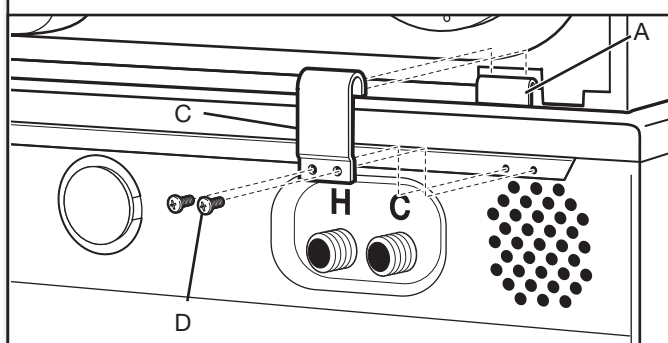
Levante la secadora y fíjela firmemente sobre la lavadora. Ubique la secadora para que sobresalga ligeramente de la parte posterior de la lavadora – si sobresale demasiado podría resbalarse la pata trasera de la parte posterior de la cubierta de la lavadora.

8. Instale los sujetadores de plástico



Quite los sujetadores de plástico (2), los soportes (2), y los tornillos de metal de cabeza de cono atachado (4) de la bolsa de partes. Tome un sujetador de plástico (A) y con el lado plano mirando hacia afuera, empujelo hacia abajo sobre el borde inferior de la ranura (B) en la parte posterior de la secadora. Repita en el otro lado.

9. Instale los soportes



Coloque el extremo en forma de gancho del soporte (C) sobre el sujetador de plástico (A). Un destornillador de hoja plana puede ayudar a sujetar el soporte sobre el sujetador de plástico. Ajuste la secadora hacia adelante, según sea necesario, y sujete el soporte (C) a la lavadora con tornillos de cabeza de cono achatado (D). Apriete los tornillos hasta que queden seguros. Repita en el otro lado.

COMPLETE LA INSTALACIÓN

Siga las Instrucciones de instalación que vinieron con su lavadora y su secadora para quitar los pernos de empaque y completar la instalación.

SÉCURITÉ DE L'ENSEMBLE SUPERPOSÉ

Votre sécurité et celle des autres est très importante.

Nous donnons de nombreux messages de sécurité importants dans ce manuel et sur votre appareil ménager. Assurez-vous de toujours lire tous les messages de sécurité et de vous y conformer.



Voici le symbole d'alerte de sécurité.

Ce symbole d'alerte de sécurité vous signale les dangers potentiels de décès et de blessures graves à vous et à d'autres.

Tous les messages de sécurité suivront le symbole d'alerte de sécurité et le mot "DANGER" ou "AVERTISSEMENT". Ces mots signifient :

⚠ DANGER

Risque possible de décès ou de blessure grave si vous ne suivez pas immédiatement les instructions.

⚠ AVERTISSEMENT

Risque possible de décès ou de blessure grave si vous ne suivez pas les instructions.

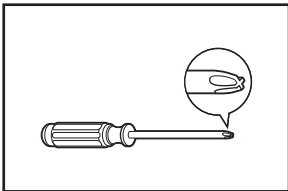
Tous les messages de sécurité vous diront quel est le danger potentiel et vous disent comment réduire le risque de blessure et ce qui peut se produire en cas de non-respect des instructions.

EXIGENCES D'INSTALLATION

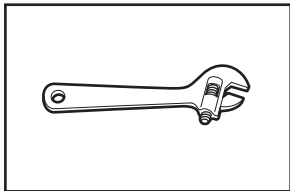
OUTILLAGE ET PIÈCES

Rassembler les outils et pièces nécessaires avant de commencer l'installation.

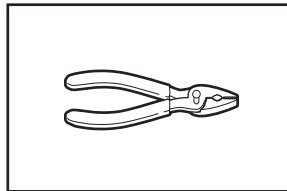
Outillage nécessaire :



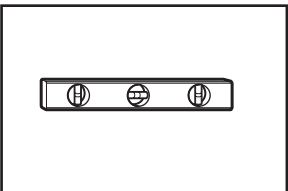
Tournevis Phillips #2



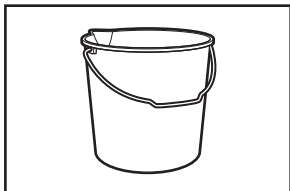
Clé à molette de 2"
(51 mm)



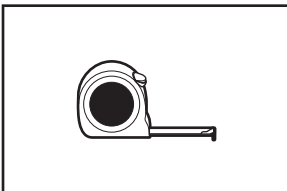
Pince ou pince articulée (pour tuyaux d'alimentation et de vidange)



Niveau

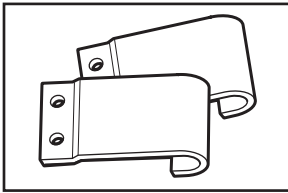


Seau

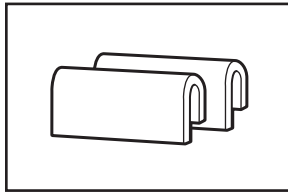


Règle ou mètre ruban

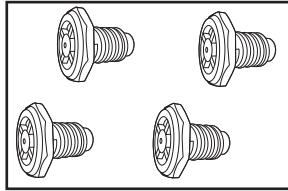
Pièces fournies :



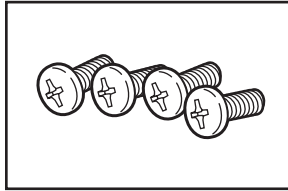
Brides avec extrémité en crochet (2)



Attaches en plastique (2)



Peds (4)

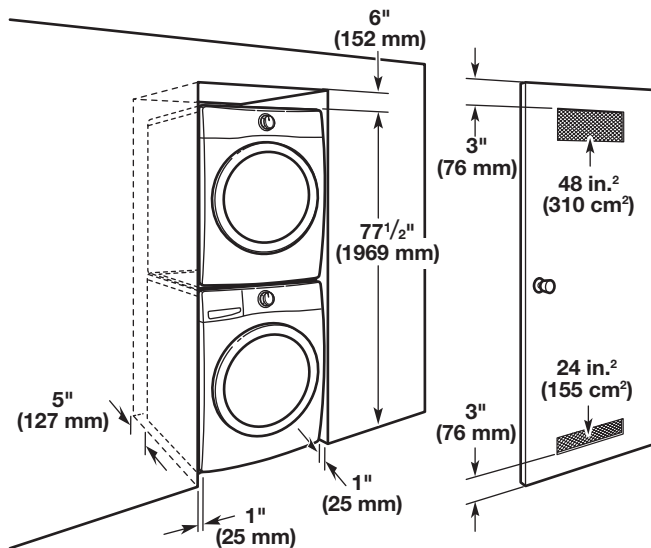


Vis à tête bombée (4)

EXIGENCES D'EMPLACEMENT

Instructions d'installation dans un encastrement ou un placard

IMPORTANT : On peut installer l'ensemble superposé laveuse/sécheuse dans un encastrement. Identifier la position des robinets d'arrivée d'eau, des prises de courant électriques reliées à la terre et de la canalisation d'arrivée de gaz (sécheuse à gaz seulement). Selon l'application, il peut être nécessaire d'utiliser des tuyaux d'arrivée d'eau, des cordons d'alimentation électrique et un conduit flexible d'acier inoxydable pour le raccordement de canalisation de gaz plus longs que ceux qui sont fournis avec l'ensemble laveuse/sécheuse.



Si des modifications sont nécessaires sur les robinets d'arrivée d'eau, prises de courant électriques, canalisation d'arrivée de gaz ou cordons d'alimentation, demander à un plombier, un électricien ou un technicien du gaz d'exécuter ces modifications.

Installation dans une résidence mobile - Exigences additionnelles à respecter

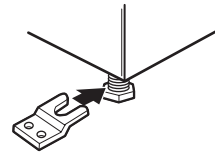
Cette sècheuse peut être installée et utilisée dans une résidence mobile. L'installation doit satisfaire aux critères de la norme Manufactured Home Construction and Safety Standard / Normes de construction et sécurité pour résidences préfabriquées, Titre 24 CFR, Partie 3280 (anciennement la norme fédérale Standard for Mobile Home Construction and Safety, Titre 24, HUD Partie 280) ou de la norme Canadian Manufactured Home Standard CAN/CSA-Z240 MH.

L'installation dans une résidence mobile implique l'emploi de composants spéciaux (voir la liste plus bas) que l'on peut acquérir dans un commerce local ou auprès d'un centre de service.

Un ensemble laveuse/sécheuse superposées doit être solidement fixé au sol.

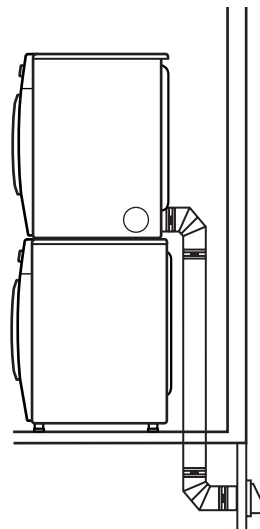
Pièces nécessaires :

- On doit acquérir l'ensemble d'installation en résidence mobile - pièce n° 346764. Commander 2 ensembles pour pouvoir fixer au sol l'avant et l'arrière de l'appareil.
- Matériel pour circuit d'évacuation (conduits métalliques).



Dans le cas de l'installation dans que résidence mobile, on doit tenir compte des besoins d'admission d'air extérieur jusqu'à la sècheuse. La taille de l'ouverture utilisée à cette fin (par exemple une fenêtre voisine) doit être au moins le double de la taille de l'orifice de la sècheuse.

Le conduit d'évacuation de l'air humide doit être solidement fixé à la partie non combustible de la charpente structurale de la résidence mobile. Le point de décharge du conduit d'évacuation doit se trouver à l'extérieur.



DÉSINSTALLATION DE LA LAVEUSE ET DE LA SÉCHEUSE

IMPORTANT : Si l'ensemble de laveuse et sècheuse est déjà installé, on doit le désinstaller.

S'il est nécessaire de désinstaller la laveuse ou la sècheuse, consulter les "Instructions d'installation" fournies avec l'appareil, au sujet des outils nécessaires.

⚠ AVERTISSEMENT

Risque du poids excessif

Utiliser deux ou plus de personnes pour déplacer la laveuse ou la sècheuse.

Le non-respect de cette instruction peut causer une blessure au dos ou d'autre blessure.

Désinstallation de la laveuse

1. Fermer les robinets d'arrivée d'eau chaude et d'eau froide.
2. Débrancher le cordon d'alimentation électrique.
3. Desserrer doucement les raccords des tuyaux d'alimentation sur les robinets pour libérer la pression de l'eau. Utiliser une éponge ou une serviette pour absorber l'eau libérée.
4. Déconnecter les tuyaux d'arrivée d'eau chaude et d'eau froide de l'arrière de la laveuse. Laisser l'eau dans les tuyaux s'écouler dans un seau.
5. Retirer le tuyau d'évacuation flexible du tuyau rigide raccordé à l'égout ou de l'évier adjacent, et vider dans un seau toute l'eau présente dans le tuyau.

Désinstallation de la sècheuse électrique

1. Débrancher le cordon d'alimentation électrique.
2. Écarter la sècheuse du mur suffisamment pour pouvoir desserrer la bride du conduit d'évacuation. Desserrer la bride et déconnecter délicatement le conduit d'évacuation de la bouche de décharge de la sècheuse.

Modèles vapeur uniquement :

3. Fermer le robinet d'eau.
4. Retirer le tuyau d'arrivée d'eau du robinet, et vider dans un seau, l'eau présente dans le tuyau.

Désinstallation de la sècheuse à gaz

1. Débrancher le cordon d'alimentation électrique.
2. Fermer l'arrivée de gaz.
3. Écarter la sècheuse du mur suffisamment pour pouvoir desserrer la bride du conduit d'évacuation. Desserrer la bride et déconnecter délicatement le conduit d'évacuation de la bouche de décharge de la sècheuse.
4. Déconnecter le conduit flexible de la canalisation de gaz de la sècheuse. Obturer avec du ruban adhésif l'ouverture de chaque raccord de la canalisation de gaz.

Modèles vapeur uniquement :

5. Fermer le robinet d'eau
6. Retirer le tuyau d'arrivée d'eau du robinet, et vider dans un seau, l'eau présente dans le tuyau.

SI LA LAVEUSE OU LA SÉCHEUSE EST ENCORE DANS SON EMBALLAGE

⚠ AVERTISSEMENT

Risque du poids excessif

Utiliser deux ou plus de personnes pour déplacer la laveuse ou la sècheuse.

Le non-respect de cette instruction peut causer une blessure au dos ou d'autre blessure.

Positionner l'appareil emballé à proximité de l'emplacement d'installation final. Découper l'emballage comme suit :

- Laveuse : couper le film de plastique le long de la ligne pointillée autour de la base. Enlever l'emballage. Ne pas enlever les vis de calage.
- Sècheuse : Découper l'emballage de carton autour du sommet et sur les angles en descendant le long des lignes de découpage pointillées. Jeter le sommet de l'emballage de carton, les garnitures d'angle et les côtés. Laisser le fond de l'emballage de carton sous la sècheuse.

INSTRUCTIONS D'INSTALLATION

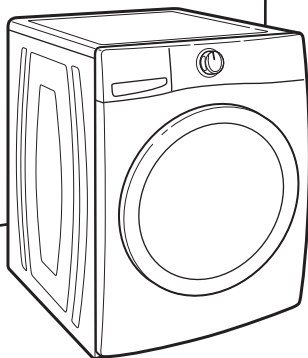
⚠ AVERTISSEMENT

Risque du poids excessif

Utiliser deux ou plus de personnes pour déplacer la laveuse ou la sécheuse.

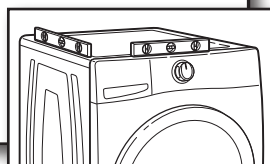
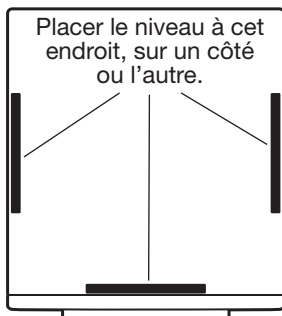
Le non-respect de cette instruction peut causer une blessure au dos ou d'autre blessure.

1. Déplacer la laveuse à son emplacement final

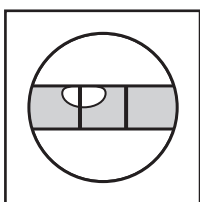


Laisser un espace pour pouvoir travailler derrière la laveuse. Ne pas enlever les vis de calage.

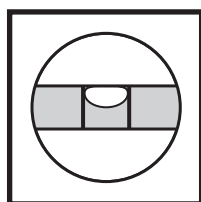
2. Vérifier le bon aplomb de la laveuse



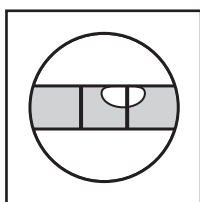
Placer un niveau sur les bords supérieurs de la laveuse en contrôlant chaque côté et l'avant. Si elle n'est pas d'aplomb, faire basculer la laveuse et régler les pieds vers le haut ou vers le bas tel qu'indiqué dans les Instructions d'installation, et recommencer si nécessaire.



N'est pas d'aplomb

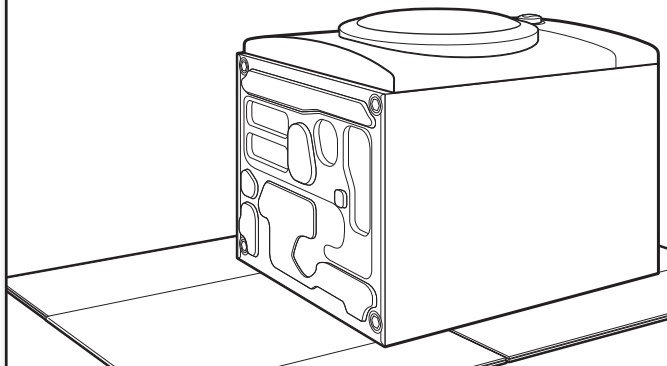


D'APLOMB



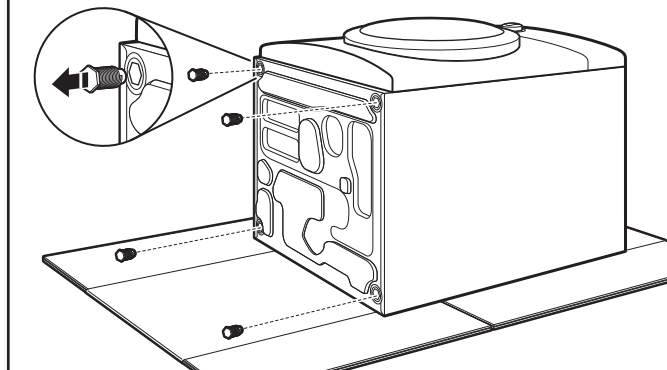
N'est pas d'aplomb

3. Sur un matériau de protection, coucher la sécheuse sur le côté ou sur le dos



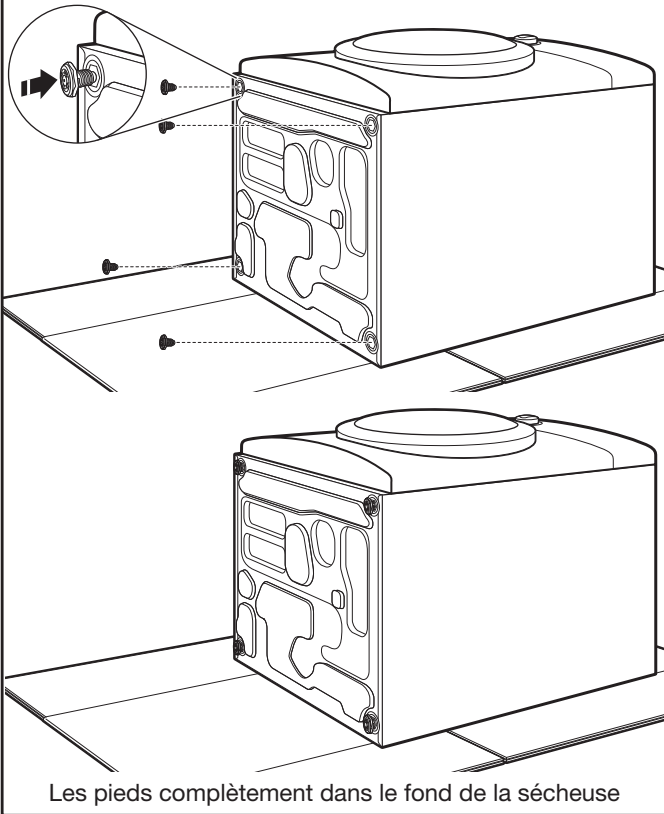
Afin d'éviter tout dommage, placer un matériau de protection sur le sol – telle une feuille de carton ou une couverture. Coucher la sécheuse sur le côté ou le dos avec précaution, sur le matériau de protection.

4. Retirer les pieds existants le cas échéant



À l'aide d'une clé ou d'une pince articulée, retirer les pieds existants le cas échéant.

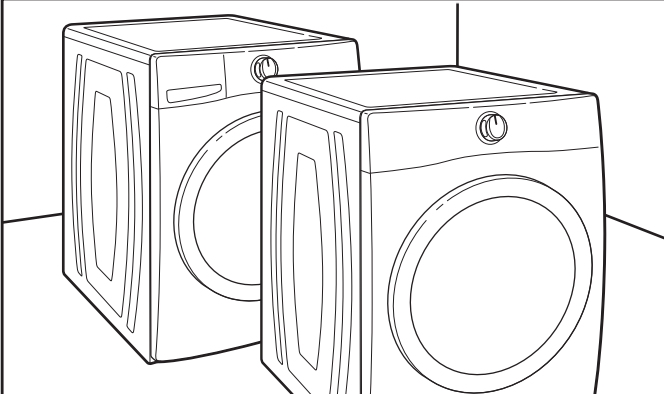
5. Installer les pieds sur la sécheuse



Les pieds complètement dans le fond de la sécheuse

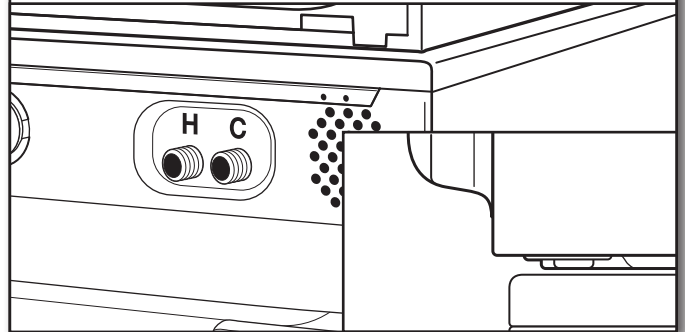
À l'aide d'une clé ou d'une pince articulée, installer les pieds nouveaux, en les tournant complètement dans le fond de la sécheuse.

6. Soulever la sécheuse pour la remettre en position verticale et faire glisser à l'avant de la laveuse



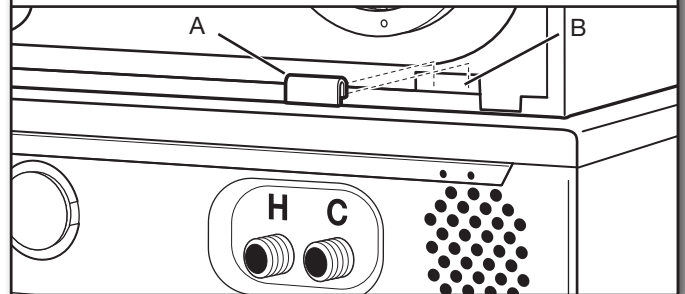
Soulever la sécheuse pour la remettre en position verticale en la maintenant sur le carton (ou le fond de la boîte en carton). Faire glisser la sécheuse à l'avant de la laveuse à l'aide du carton, pour éviter d'endommager les pieds de caoutchouc.

7. Placer la sécheuse sur la laveuse



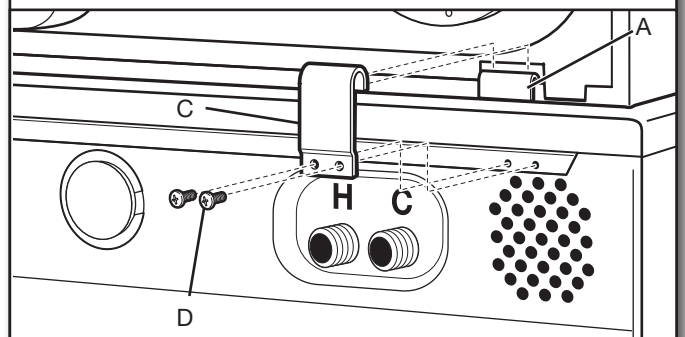
Soulever la sécheuse et l'installer solidement au sommet de la laveuse. Faire légèrement déborder la sécheuse par rapport à l'arrière de la laveuse. Si la sécheuse déborde excessivement, les pieds arrière pourraient glisser du sommet arrière de la laveuse.

8. Installer les attaches en plastique



Prendre les attaches en plastique (2), les brides (2), et les vis de tôlerie à tête bombée (4) dans le sachet de pièces. Prendre une attache en plastique (A) et avec le côté plat vers l'extérieur, la pousser vers le bas sur le bord inférieur de la fente (B) à l'arrière de la sécheuse. Un tournevis à lame plate peut être utile pour entrouvrir l'attache en plastique. Faire de même de l'autre côté.

9. Installer les brides



Introduire l'extrémité en crochet (E) de la bride sur l'attache en plastique (A). Un tournevis à lame utile peut être utile pour engager la bride sur l'attache en plastique. Ajuster la position de la sécheuse vers l'avant selon le besoin et fixer la bride (C) sur la laveuse avec les vis de tête bombée (D). Bien serrer les vis. Faire de même de l'autre côté.

ACHEVER L'INSTALLATION

Suivre les instructions d'installation fournies avec la laveuse et la sécheuse pour enlever les vis de calage et terminer l'installation.

©/™ © 2016. All rights reserved. Used under license in Canada.

©/™ © 2016. Todos los derechos reservados. Usada en Canadá bajo licencia.

©/™ © 2016. Tous droits réservés. Emploi sous licence au Canada.