



5.0 cu. ft. Front Load Washer

WFW8620H



Chrome Shadow
WFW8620HC

Also available in:

White

WFW8620HW

Capacity

Total 5.0 cu. ft.

General Features & Properties

12-Hour FanFresh® Option

Steam Clean Option

Sanitize Cycle

Quick Wash Cycle

Cold Wash Cycle

Presoak Option

Single Load Dispenser

Smooth Wave Stainless Steel Wash Basket

Clean Washer with Affresh® Cycle

Electrical Details

Amps 15 or 20

Volts 120

Technical Details

Drum Material Stainless Steel

Control Location Front

Control Type Tap Touch

Number of Cycles 37

Washer Cycle Selections
Bulky Items
Clean Washer with affresh®
Cold Wash
Colors
Delicates
Drain & Spin
Heavy Duty
Normal
Quick
Regular
Sanitize
Towels
Whites
Wrinkle Control

Number of Options 11

Dimensions

Product Dimensions (H x W x D)
38-5/8" x
27" x
33-1/4"

Depth with Door Open 90° 54-7/8"

Reference Material

[Install Guide](#)

[Use & Care Guide](#)

[Energy Guide](#)

[Warranty](#)

Key Features & Benefits

Load & Go™ XL Dispenser

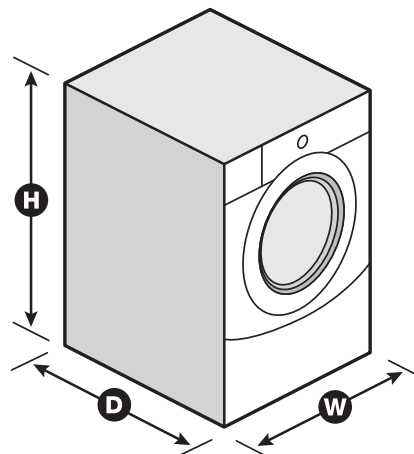
Skip steps with the Load & Go™ XL dispenser. Simply add detergent once and skip refills for 40 load.*

5.0 cu. ft. Capacity

Fit more in a single load with our largest capacity front load washer at 5.0 cu. ft.

Intuitive Controls

Let the washer guide you to the right cycle combinations or customize up to 35 of your own to get the right type of fabric care for whatever you're washing.



*Based on an 8-lb load. NOTE: Dimensions are for planning purposes only. For complete details, see Installation Instructions packed with product. Specifications subject to change without notice.



7.4 cu. ft. Front Load Gas Dryer

WGD8620H



Chrome Shadow
WGD8620HC

Also available in:

White

WGD8620HW

Capacity

Total 7.4 cu. ft.

General Features & Properties

Wrinkle Shield™ Plus Option with Steam

Steam Refresh Cycle

Sanitize Cycle

Advanced Moisture Sensing

Static Reduce Option

EcoBoost™ Option

Quad Baffles

Stainless Steel Dryer Drum

Dryer Rack

Electrical Details

Hz 60

Amps 15 or 20

Volts 120

Certifications

ADA Compliant Yes

ENERGY STAR® Certified Yes

Technical Details

Drum Material Stainless Steel

Fuel Type Gas

Door Style Side Swing

Reversible Door Yes

Number of Dryer Cycles 37

Selection of Drying Cycles
Bulky Items
Colors
Delicates
Heavy Duty
Normal
Quick Dry
Regular
Sanitize
Steam Refresh
Timed Dry
Towels
Whites
Wrinkle Control

Dryer Option Selections
Control Lock
Cycle Signal
Damp Dry
Signal
Eco Boost™
Reduce Static
Wrinkle Shield™
Wrinkle Shield™ with Steam

Dimensions

Product Dimensions (H x W x D) 38-1/8" x 27" x 31"

Depth with Door Open 90° 54-5/16"

Maximum Vent Length 64'

Venting Direction Left, Right, Bottom, Rear

Ventless No

Reference Material

[Install Guide](#)

[Use & Care Guide](#)

[Warranty](#)

Key Features & Benefits

7.4 cu. ft. Capacity

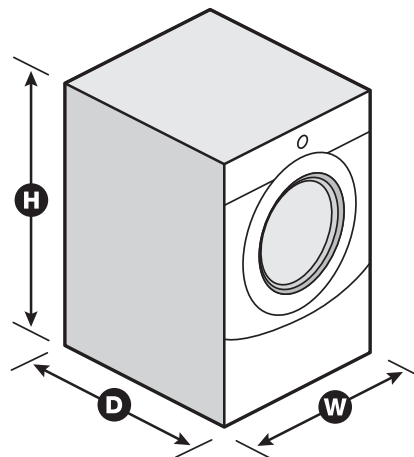
Get plenty of room to dry the large loads you washed in the matching front load washer. This 7.4 cu. ft. dryer easily handles bulky items like comforters and sleeping bags.

ENERGY STAR® Certified

ENERGY STAR® certified models exceed government standards to help conserve natural resources and save money on your utility bills.

Intuitive Controls

Let the dryer guide you to the right cycle combinations or customize up to 36 of your own to get the right type of fabric care for whatever you're drying.



NOTE: Dimensions are for planning purposes only. For complete details, see Installation Instructions packed with product. Specifications subject to change without notice.

®/™ © 2020. All rights reserved. Printed in the U.S.A. D200104XXD. WGD8620HSpecSheetV01.

FRONT LOAD WASHER AND DRYER PEDESTAL

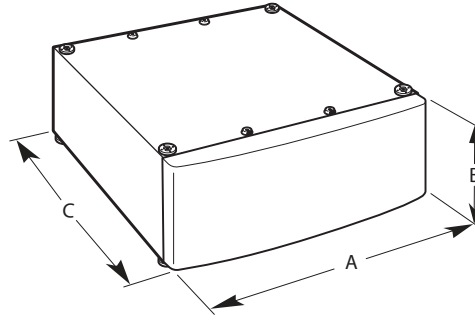
PRODUCT MODEL NUMBERS

XHP1000XQ XHP1000WR
XHP1000XW XHP1000WW

LOCATION REQUIREMENTS

If the washer/dryer and pedestal assembly are located in a garage, 3" (76 mm) must be added under the pedestal so that the washer/dryer is 18" (458 mm) above the garage floor.

PRODUCT DIMENSIONS



Width "A"	Height - "B"	Depth - "C"
27" (686 mm)	9¼" (235 mm)	27" (686 mm)