



# 5.0 cu. ft. Front Load Washer

WFW8620H



Chrome Shadow  
WFW8620HC

### Also available in:

White

WFW8620HW

Capacity	
Total	5.0 cu. ft.
General Features & Properties	
12-Hour FanFresh® Option	
Steam Clean Option	
Sanitize Cycle	
Quick Wash Cycle	
Cold Wash Cycle	
Presoak Option	
Single Load Dispenser	
Smooth Wave Stainless Steel Wash Basket	
Clean Washer with Affresh® Cycle	
Electrical Details	
Amps	15 or 20
Volts	120

Technical Details	
Drum Material	Stainless Steel
Control Location	Front
Control Type	Tap Touch
Number of Cycles	37
Washer Cycle Selections	Bulky Items Clean Washer with affresh® Cold Wash Colors Delicates Drain & Spin Heavy Duty Normal Quick Regular Sanitize Towels Whites Wrinkle Control
Number of Options	11

Dimensions	
Product Dimensions (H x W x D)	38-5/8" x 27" x 33-1/4"
Depth with Door Open 90°	54-7/8"

- Reference Material**
- [Install Guide](#)
  - [Use & Care Guide](#)
  - [Energy Guide](#)
  - [Warranty](#)

## Key Features & Benefits

### Load & Go™ XL Dispenser

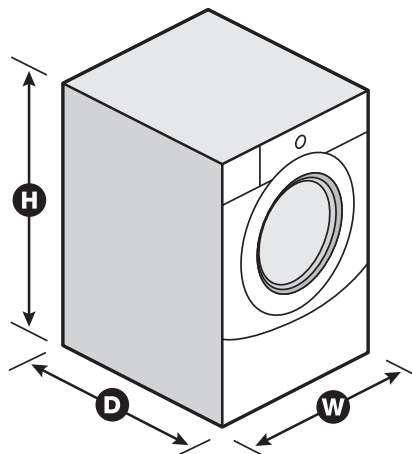
Skip steps with the Load & Go™ XL dispenser. Simply add detergent once and skip refills for 40 load.\*

### 5.0 cu. ft. Capacity

Fit more in a single load with our largest capacity front load washer at 5.0 cu. ft.

### Intuitive Controls

Let the washer guide you to the right cycle combinations or customize up to 35 of your own to get the right type of fabric care for whatever you're washing.



\*Based on an 8-lb load. NOTE: Dimensions are for planning purposes only. For complete details, see Installation Instructions packed with product. Specifications subject to change without notice.



# 7.4 cu. ft. Front Load Electric Dryer

WED8620H



Chrome Shadow  
WED8620HC

### Also available in:

White

WED8620HW

### Capacity

Total 7.4 cu. ft.

### General Features & Properties

Wrinkle Shield™ Plus Option with Steam

Steam Refresh Cycle

Sanitize Cycle

Advanced Moisture Sensing

Static Reduce Option

EcoBoost™ Option

Quad Baffles

Stainless Steel Dryer Drum

Dryer Rack

### Electrical Details

Hz 60

Amps 30

Volts 240

### Certifications

ADA Compliant Yes

ENERGY STAR® Certified Yes

### Technical Details

Drum Material Stainless Steel

Fuel Type Electric

Door Style Side Swing

Reversible Door Yes

Number of Dryer Cycles 37

Selection of Drying Cycles  
Bulky Items  
Colors  
Delicates  
Heavy Duty  
Normal  
Quick Dry  
Regular  
Sanitize  
Steam Refresh  
Timed Dry  
Towels  
Whites  
Wrinkle Control

Dryer Option Selections  
Control Lock  
Cycle Signal  
Damp Dry  
Signal  
Eco Boost™  
Reduce Static  
Wrinkle Shield™  
Wrinkle Shield™ with Steam

### Dimensions

Product Dimensions (H x W x D) 38-1/8" x 27" x 31"

Depth with Door Open 90° 54-5/16"

Maximum Vent Length 64'

Venting Direction Left, Right, Bottom, Rear

Ventless No

### Reference Material

[Install Guide](#)

[Use & Care Guide](#)

[Warranty](#)

### Key Features & Benefits

#### 7.4 cu. ft. Capacity

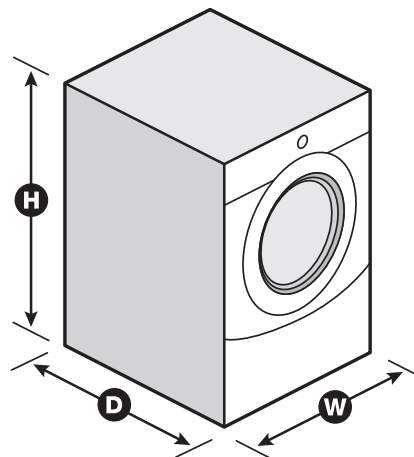
Get plenty of room to dry the large loads you washed in the matching front load washer. This 7.4 cu. ft. dryer easily handles bulky items like comforters and sleeping bags.

#### ENERGY STAR® Certified

ENERGY STAR® certified models exceed government standards to help conserve natural resources and save money on your utility bills.

#### Intuitive Controls

Let the dryer guide you to the right cycle combinations or customize up to 36 of your own to get the right type of fabric care for whatever you're drying.



NOTE: Dimensions are for planning purposes only. For complete details, see Installation Instructions packed with product. Specifications subject to change without notice.

®/™ © 2020. All rights reserved. Printed in the U.S.A. D200104XXD. WED8620HSpecSheetV01.