



4.3 cu. ft. Front Load Washer

WFW560CH



White
WFW560CHW

Capacity

Total 4.3 cu. ft.

General Features & Properties

Sanitize Cycle with Oxi

Quick Wash Cycle

Cold Wash Cycle

Presoak Option

Single Load Dispenser

Closet-Depth Fit

Smooth Wave Stainless Steel Wash Basket

Clean Washer with Affresh® Cycle

Laundry Pedestals

Electrical Details

Amps 15 or 20

Volts 120

Certifications

ADA Compliant Yes

ENERGY STAR® Certified Yes

Technical Details

Drum Material Stainless Steel

Control Location Front

Control Type Tap Touch

Number of Cycles 37

Washer Cycle Selections
Bulky Items
Clean Washer with affresh®
Cold Wash
Colors
Delicates
Heavy Duty
Normal
Quick Wash
Regular
Sanitize with Oxi
Towels
Whites
Wrinkle Control

Number of Options 7

Washer Option Selections
Control Lock
Extra Rinse

Dimensions

Product Dimensions (H x W x D) 38-5/8" x 27" x 31-9/16"

Depth with Door Open 90° 56-1/2"

Reference Material

[Install Guide](#)

[Use & Care Guide](#)

[Energy Guide](#)

[Warranty](#)

Key Features & Benefits

4.3 cu. ft. Capacity

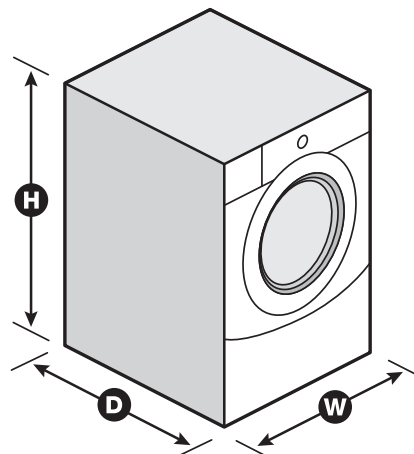
Get plenty of room for bulky items with 4.3 cu. ft. capacity.

ENERGY STAR® Certified

ENERGY STAR® certified models exceed government standards to help conserve natural resources and save money on your utility bills

Intuitive Controls

Let the washer guide you to the right cycle combinations or customize up to 35 of your own to get the right type of fabric care for whatever you're washing.



NOTE: Dimensions are for planning purposes only. For complete details, see Installation Instructions packed with product. Specifications subject to change without notice.

®/™ © 2020. All rights reserved. Printed in the U.S.A. D200104XXD. WFW560CHSpecSheetV01.



7.4 cu. ft. Front Load Long Vent Gas Dryer

WGD560LH



White
WGD560LHW

Capacity

Total	7.4 cu. ft.
-------	-------------

General Features & Properties

Intuitive Controls

Sanitize Cycle

Advanced Moisture Sensing

EcoBoost™ Option

Quad Baffles

Closet-Depth Fit

Laundry Pedestals

An American Company for Over 100 Years

Electrical Details

Hz	60
----	----

Amps	15 or 20
------	----------

Volts	120
-------	-----

Certifications

ADA Compliant	Yes
---------------	-----

ENERGY STAR® Certified	Yes
------------------------	-----

Technical Details

Drum Material	Powder Coat
---------------	-------------

Fuel Type	Gas
-----------	-----

Door Style	Side Swing
------------	------------

Reversible Door	Yes
-----------------	-----

Number of Dryer Cycles	36
------------------------	----

Selection of Drying Cycles	Bulky Items
	Colors
	Delicates
	Heavy Duty
	Normal
	Quick Dry
	Regular
	Sanitize
	Towels
	Whites
Wrinkle Control	

Dryer Option Selections	Control Lock
	Cycle Signal
	Damp Dry
	Signal
	Eco Boost™
	Wrinkle Shield™

Dimensions

Product Dimensions (H x W x D)	38-1/8" x 27" x 30-11/16"
--------------------------------	---------------------------

Depth with Door Open 90°	50-11/16"
--------------------------	-----------

Maximum Vent Length	160'
---------------------	------

Venting Direction	Right, Bottom, Rear
-------------------	---------------------

Ventless	No
----------	----

Reference Material

[Install Guide](#)

[Use & Care Guide](#)

[Warranty](#)

Key Features & Benefits

Wrinkle Shield™ Option

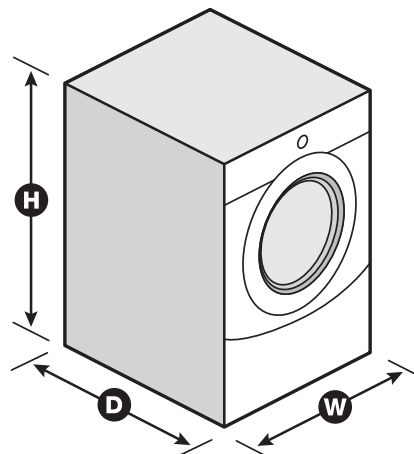
Help keep wrinkles from setting into clean, dry fabrics with the Wrinkle Shield™ option. It keeps clothes tumbling for up to 150 minutes after the cycle ends or until you open the door.

7.4 cu. ft. Capacity

Get plenty of room to dry the large loads you washed in the matching front load washer. This 7.4 cu. ft. dryer easily handles bulky items like comforters and sleeping bags.

ENERGY STAR® Certified

ENERGY STAR® certified models exceed government standards to help conserve natural resources and save money on your utility bills.



NOTE: Dimensions are for planning purposes only. For complete details, see Installation Instructions packed with product. Specifications subject to change without notice.

®/™ © 2020. All rights reserved. Printed in the U.S.A. D200104XXD. WGD560LHSpecSheetV01.