

WASHER INSTALLATION INSTRUCTIONS

INSTRUCTIONS D'INSTALLATION DE LA LAVEUSE

Table of Contents

WASHER SAFETY	1
INSTALLATION REQUIREMENTS.....	2
Tools and Parts.....	2
Location Requirements	3
Drain System	4
Electrical Requirements	5
INSTALLATION INSTRUCTIONS.....	5
Connect Drain Hose.....	6
Connect Inlet Hoses.....	7
Level Washer	8
Complete Installation Checklist.....	9

Table des matières

SÉCURITÉ DE LA LAVEUSE	10
EXIGENCES D'INSTALLATION	10
Outillage et pièces	10
Exigences d'emplacement	11
Système de vidange.....	14
Spécifications électriques.....	14
INSTRUCTIONS D'INSTALLATION	15
Raccordement du tuyau de vidange.....	16
Raccordement des tuyaux d'arrivée d'eau	17
Établissement de l'aplomb de la laveuse.....	19
Liste de vérification pour l'achèvement de l'installation	20

Para obtener acceso al instrucciones de instalación en español,
o para obtener información adicional acerca de su producto, visite: www.whirlpool.com.

INSTALLATION NOTES

Date of purchase: _____
Date of installation: _____
Installer: _____
Model number: _____
Serial number: _____

NOTES SUR L'INSTALLATION

Date d'achat : _____
Date d'installation : _____
Installateur : _____
Numéro de modèle : _____
Numéro de série : _____

WASHER SAFETY

Your safety and the safety of others are very important.

We have provided many important safety messages in this manual and on your appliance. Always read and obey all safety messages.



This is the safety alert symbol.

This symbol alerts you to potential hazards that can kill or hurt you and others.

All safety messages will follow the safety alert symbol and either the word "DANGER" or "WARNING."

These words mean:

⚠ DANGER

You can be killed or seriously injured if you don't immediately follow instructions.

⚠ WARNING

You can be killed or seriously injured if you don't follow instructions.

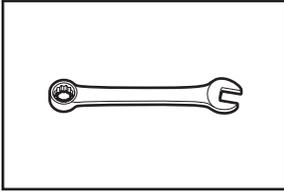
All safety messages will tell you what the potential hazard is, tell you how to reduce the chance of injury, and tell you what can happen if the instructions are not followed.

INSTALLATION REQUIREMENTS

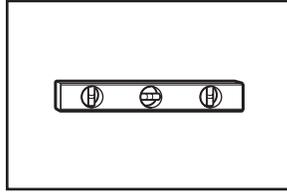
TOOLS AND PARTS

Gather required tools and parts before starting installation.

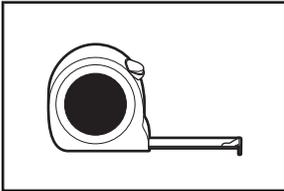
Tools needed:



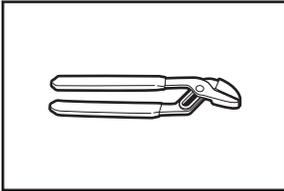
Adjustable or open-end wrenches 1/2" (13 mm), 5/8" (16 mm) and 9/16" (14 mm)



Level

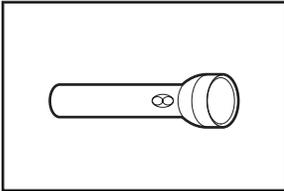


Ruler or measuring tape

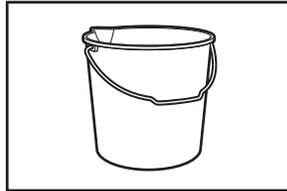


Pliers that open to 1 5/16" (39.5 mm)

Optional tools:

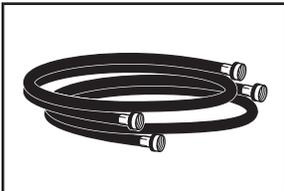


Flashlight

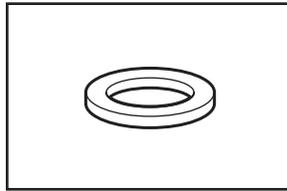


Bucket

Parts needed (not supplied with washer):



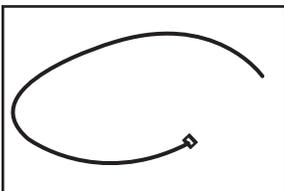
Water inlet hoses (2)



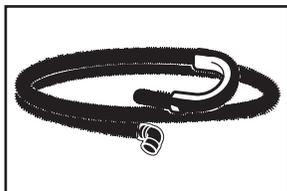
Flat inlet hose washers (4)

Parts supplied:

NOTE: All parts supplied for installation are in the washer basket.



Cable tie



Drain hose with clamp and form (may be shipped unassembled)

Available accessories:

An optional matching pedestal is available for your washer. Please contact your retailer for ordering information, or see the "Assistance or Service" page on the back of your Use and Care Guide.

Alternate parts (not supplied with washer):

Your installation may require additional parts. To order, please refer to toll-free numbers on the back page of your Use and Care Guide.

If you have:

Overhead sewer

You will need:

Standard 20 gal. (76 L) 39" (990 mm) tall drain tub or utility sink, sump pump and connectors (available from local plumbing suppliers)

Alternate inlet hoses (may be required for some installations, not supplied with washer):

- 8212656RP 10 ft. (3.0 m) Inlet hose, Black EPDM (2 pack)
- 8212641RP 5 ft. (1.5 m) Inlet hose, Black EPDM (2 pack)
- 8212546RP 4 ft. (1.2 m) Inlet hose, Black EPDM (2 pack)
- 8212545RP 5 ft. (1.5 m) Inlet hose, Red and Blue EPDM (2 pack)
- 8212487RP 5 ft. (1.5 m) Nylon braided inlet hose (2 pack)
- 8212638RP 6 ft. (1.8 m) Nylon braided inlet hose, space-saving 90° elbow, hypro-blue steel couplings (2 pack)

LOCATION REQUIREMENTS

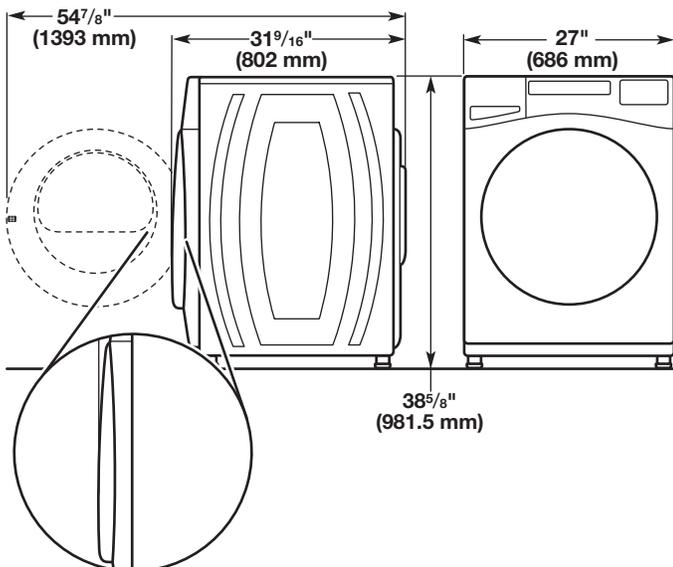
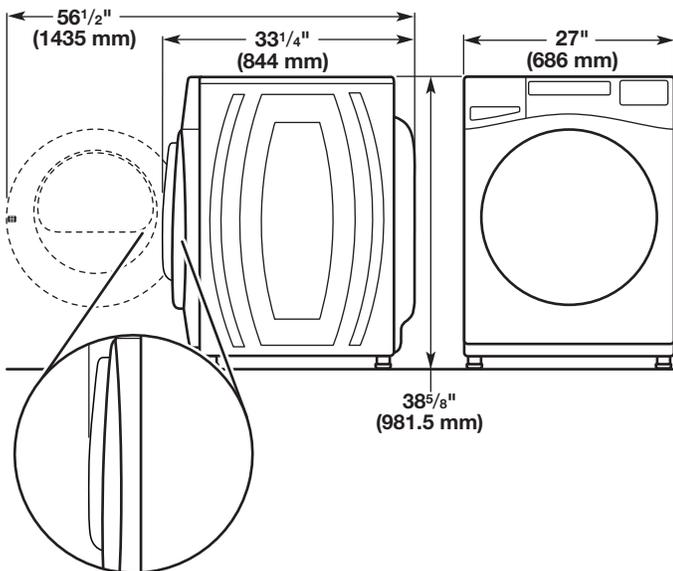
Proper installation is your responsibility.

You will need:

- A water heater set to 120°F (49°C).
- A grounded electrical outlet located within 6 ft (1.8 m) of power cord on back of washer.
- Hot and cold water faucets located within 4 ft (1.2 m) of hot and cold water fill valves on washer, and water pressure of 20–100 psi (137.9–689.6 kPa).
- A level floor with maximum slope of 1" (25 mm) under entire washer. Installing on carpet or surfaces with foam backing is not recommended.
- Floor must support washer's total weight (with water and load) of 315 lbs (143 kgs).

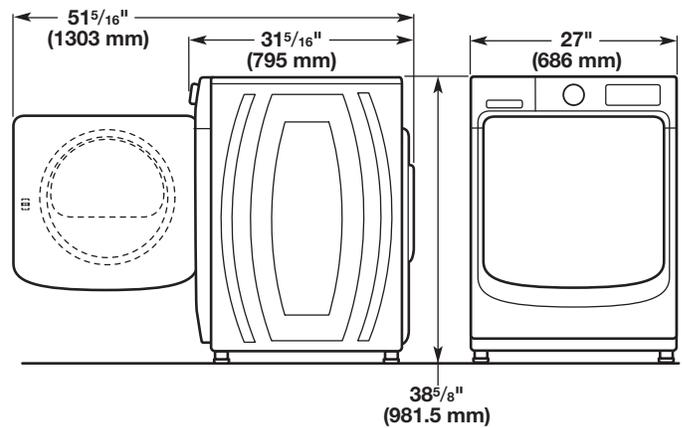
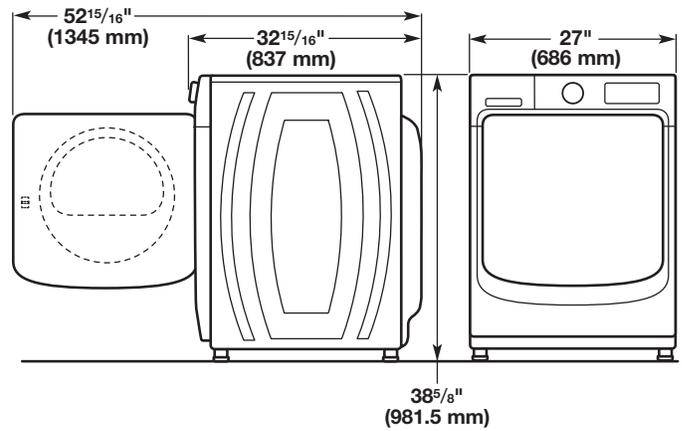
IMPORTANT: Do not install, store, or operate washer where it will be exposed to weather or in temperatures below 32°F (0°C). Water remaining in washer after use may cause damage in low temperatures. See "Washer Care" in your Use and Care Guide for winterizing information.

Whirlpool Models*



*For additional details (or information) specific to your model, refer to the 'Dimensions' listed for your model at www.whirlpool.com.

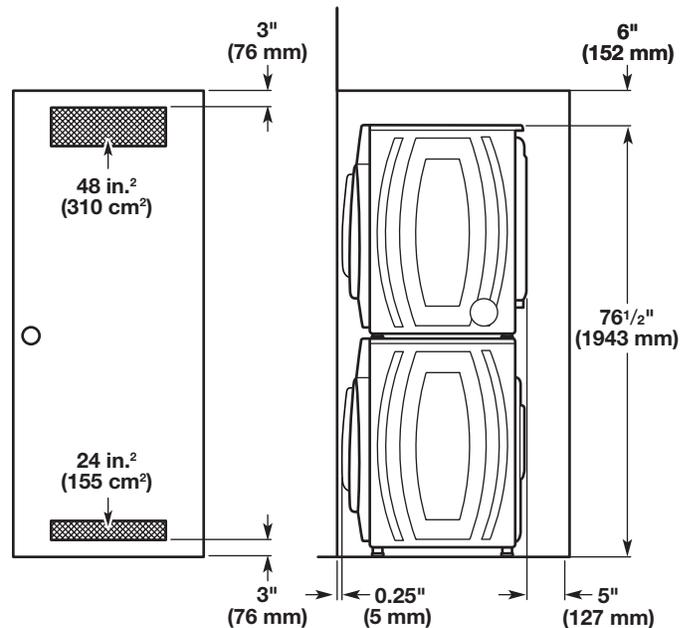
Maytag Models



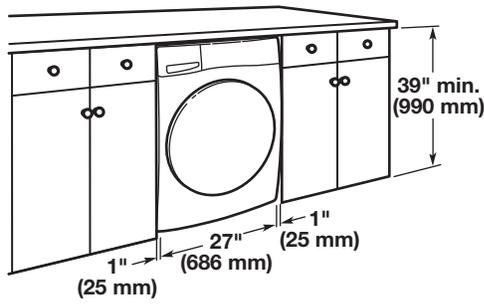
All dimensions show minimum spacing allowed. For each arrangement, consider allowing more space for ease of installation and servicing, and spacing for companion appliances and clearances for walls, doors, and floor moldings.

Space must be large enough to allow door to fully open. Add spacing of 1" (25 mm) on all sides of washer to reduce noise transfer. If a closet door or louvered door is installed, top and bottom air openings in door are required.

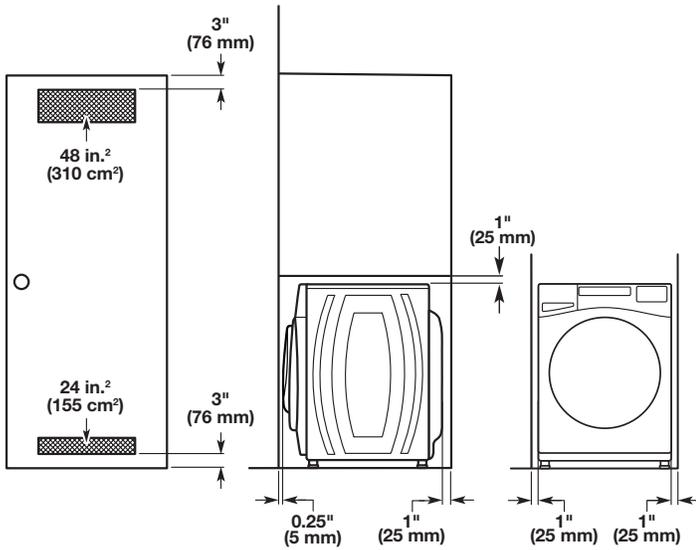
Recessed area or closet installation (stacked washer and dryer):



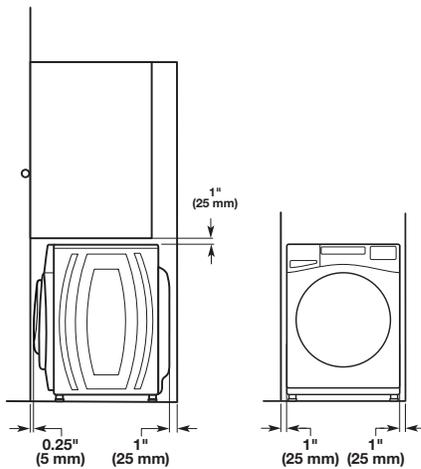
Custom under-counter installation:



Recessed area or closet installation:



Custom cabinet installation:

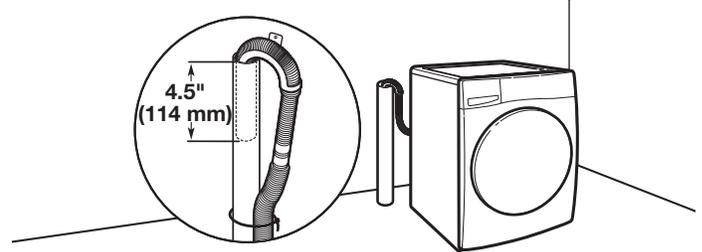


DRAIN SYSTEM

The drain system can be installed using a floor drain, wall standpipe, floor standpipe, or laundry tub. Select the method you need.

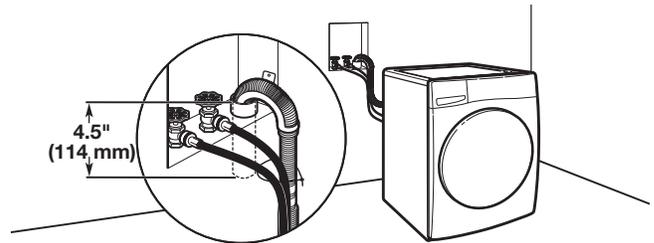
IMPORTANT: To avoid siphoning, only 4.5" (114 mm) of drain hose should be inside standpipe. Always secure drain hose with cable tie.

Floor standpipe drain system



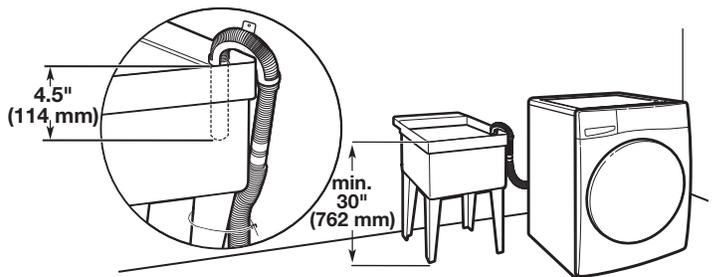
Minimum diameter for a standpipe drain: 2" (51 mm). Minimum carry-away capacity: 17 gal. (64 L) per minute. A 1/4" (6 mm) diameter to 1" (25 mm) diameter Standpipe Adapter Kit is available (Part Number 3363920). Top of standpipe must be at least 30" (762 mm) high; install no higher than 96" (2.44 m) from bottom of washer. If you have an overhead sewer and need to pump higher than 96" (2.44 m), a sump pump and associated hardware are needed. See "Alternate parts."

Wall standpipe drain system



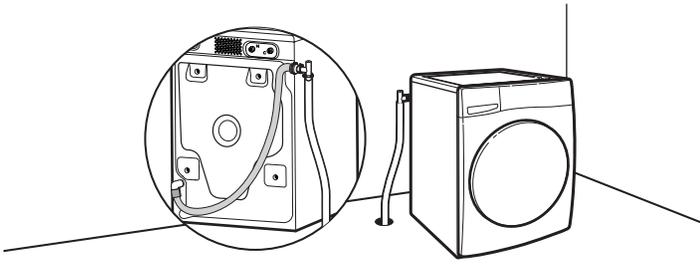
See requirements for floor standpipe drain system.

Laundry tub drain system



Minimum capacity: 20 gal. (76 L). Top of laundry tub must be at least 30" (762 mm) above floor; install no higher than 96" (2.44 m) from bottom of washer.

Floor drain system



Floor drain system requires a Siphon Break Kit, two Connector Kits, and an Extension Drain Hose that may be purchased separately. Please contact your retailer for ordering information, or see the "Assistance or Service" page on the back of your Use and Care Guide. Minimum siphon break height: 28" (710 mm) from bottom of washer. (Additional hoses may be needed.)

ELECTRICAL REQUIREMENTS

⚠ WARNING



Electrical Shock Hazard

Plug into a grounded 3 prong outlet.

Do not remove ground prong.

Do not use an adapter.

Do not use an extension cord.

Failure to follow these instructions can result in death, fire, or electrical shock.

- A 120 V, 60 Hz., AC only, 15 or 20 A, fused electrical supply is required. A time-delay fuse or circuit breaker is recommended. It is recommended that a separate circuit breaker serving only this appliance be provided.
- This washer is equipped with a power supply cord having a 3 prong grounding plug.
- To minimize possible shock hazard, the cord must be plugged into a mating, 3 prong, grounding-type outlet, grounded in accordance with local codes and ordinances. If a mating outlet is not available, it is the personal responsibility and obligation of the customer to have the properly grounded outlet installed by a qualified electrician.
- If codes permit and a separate ground wire is used, it is recommended that a qualified electrician determine that the ground path is adequate.
- Do not ground to a gas pipe.
- Check with a qualified electrician if you are not sure the washer is properly grounded.
- Do not have a fuse in the neutral or ground circuit.

GROUNDING INSTRUCTIONS

For a grounded, cord-connected washer:

This washer must be grounded. In the event of a malfunction or breakdown, grounding will reduce the risk of electrical shock by providing a path of least resistance for electric current. This washer is equipped with a cord having an equipment-grounding conductor and a grounding plug. The plug must be plugged into an appropriate outlet that is properly installed and grounded in accordance with all local codes and ordinances.

WARNING: Improper connection of the equipment-grounding conductor can result in a risk of electric shock. Check with a qualified electrician or serviceman if you are in doubt as to whether the appliance is properly grounded.

Do not modify the plug provided with the appliance – if it will not fit the outlet, have a proper outlet installed by a qualified electrician.

INSTALLATION INSTRUCTIONS

⚠ WARNING

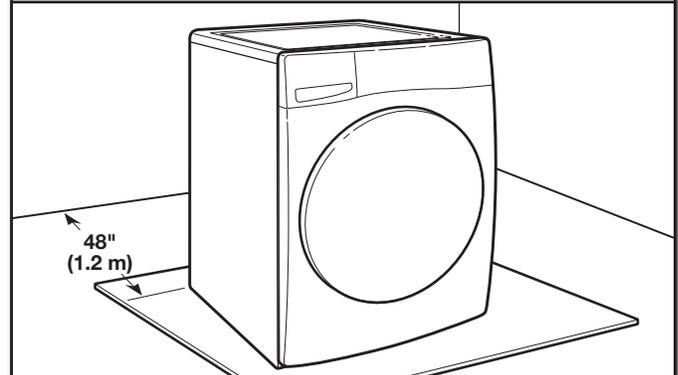
Excessive Weight Hazard

Use two or more people to move and install washer.

Failure to do so can result in back or other injury.

NOTE: To avoid floor damage, set washer onto cardboard before moving it.

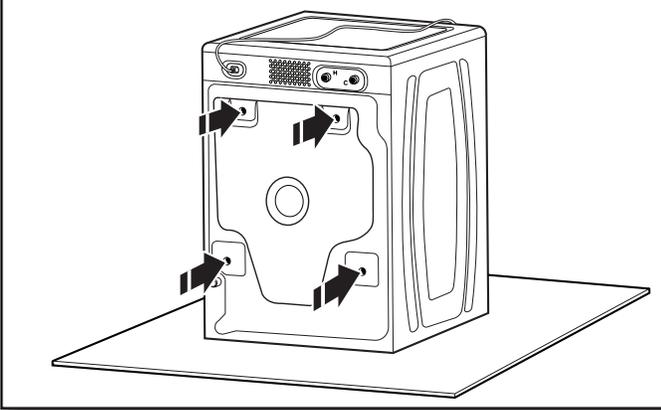
1. Move washer



It is necessary to remove all shipping materials for proper operation and to avoid excessive noise from washer.

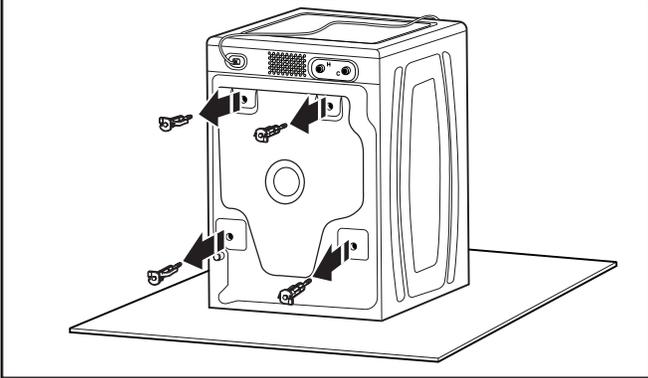
Move washer to within 4 ft (1.2 m) of its final location. It must be in a fully upright position.

2. Locate transport bolts



Locate four transport bolts on rear of washer.

3. Remove transport bolts from washer

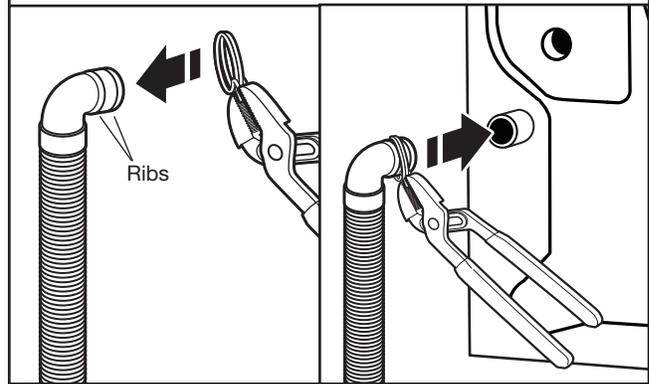


Loosen bolts with a 5/8" (16 mm) wrench. Slide each bolt and spacer to center of hole. Pull bolts and plastic spacers from back of washer. Discard bolts and spacers.

IMPORTANT: Do not plug washer in until installation has been completed.

CONNECT DRAIN HOSE

4. Attach drain hose to drain port



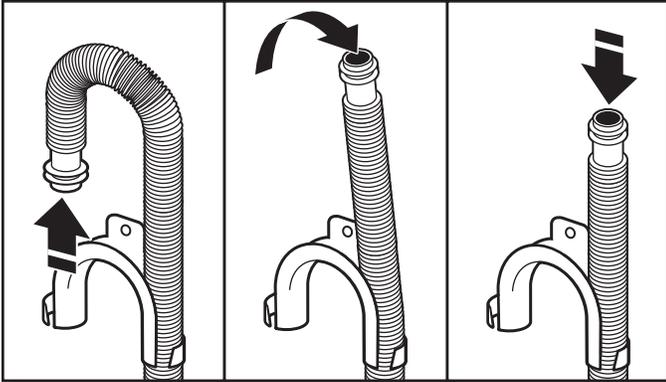
If clamp is not already in place on elbow end of drain hose, squeeze clamp with pliers and slide it over end of hose, centering it between the ribs, as shown. Squeeze clamp with pliers and slide elbow end of drain hose onto drain port and secure with clamp.

For a laundry tub or standpipe drain, go to step 6.

For a floor drain, remove the preinstalled drain hose form as shown in Step 5. You may need additional parts with separate directions. See "Alternate Parts."

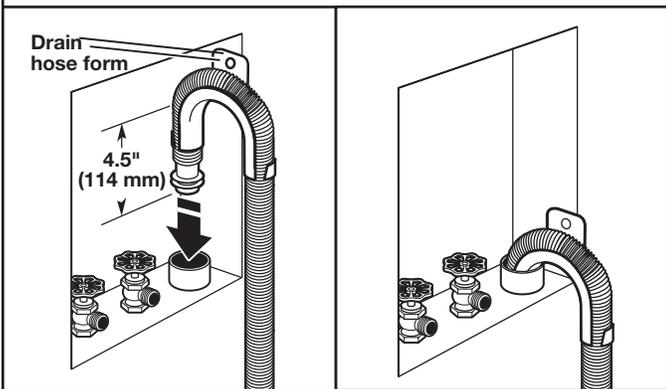
It is the responsibility of the installer to install and secure the drain hose into the provided plumbing/drain in a manner that will avoid the drain hose coming out of or leaking from the plumbing/drain.

5. Remove drain hose form (floor drain installations only)



For floor drain installations, you will need to remove the drain hose form from the end of the drain hose. You may need additional parts with separate directions. See "Alternate Parts".

6. Place drain hose in standpipe

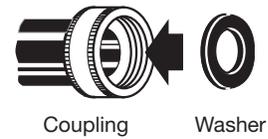


Place hose into standpipe (shown in picture) or over side of laundry tub.

IMPORTANT: Only 4.5" (114 mm) of drain hose should be inside standpipe; do not force excess hose into standpipe or lay on bottom of laundry tub. Drain hose form must be used.

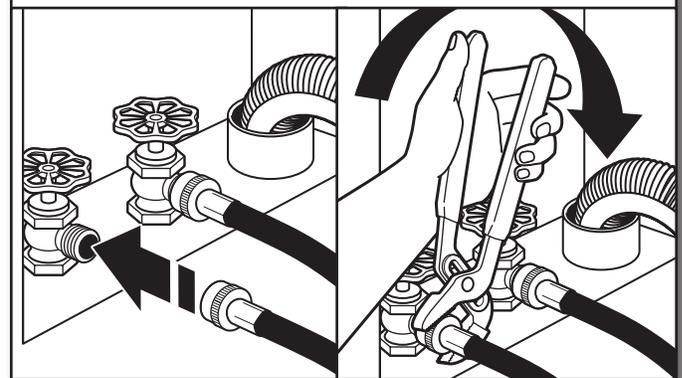
CONNECT INLET HOSES

7. Insert new flat washers



IMPORTANT: To avoid leaks, check that your water inlet hoses have flat washers at both ends. Washer must be connected to water faucets with new inlet hoses with flat washers (not provided). Do not use old hoses. Do not use hoses without washers.

8. Connect inlet hoses to water faucets

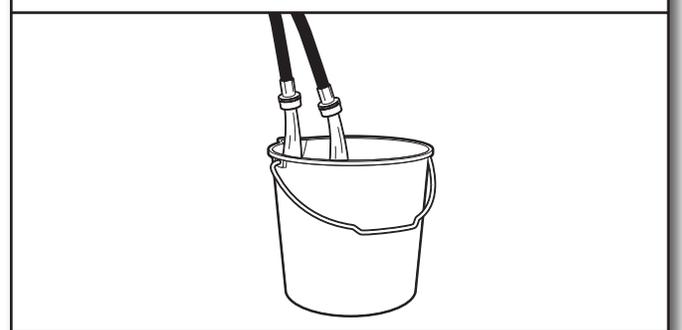


Attach the hose labeled hot to hot water faucet. Screw on coupling by hand until it is seated on washer. Use pliers to tighten couplings an additional two-thirds turn. Repeat this step with the hose labeled cold for the cold water faucet. Both hoses must be connected for washer to work properly.

IMPORTANT: Do not overtighten or use tape or sealants on valve when attaching to faucets or washer. Damage can result.

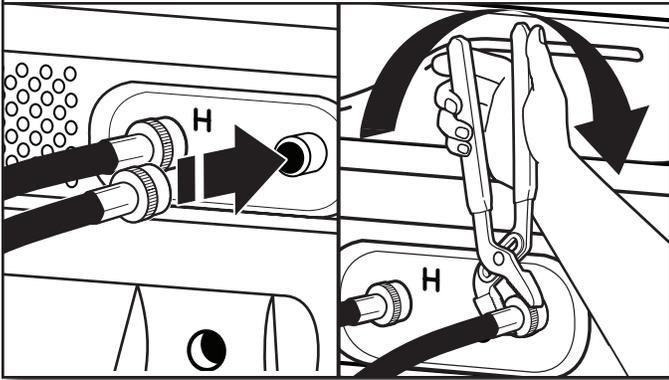
HELPFUL TIP: Make note of which hose is connected to hot water to help in attaching hoses to washer correctly. In most standard configurations, hoses will cross over each other when attached correctly.

9. Clear water lines



Run water for a few seconds through hoses into a laundry tub, drainpipe, or bucket to avoid clogs. Water should run until clear.

10. Connect inlet hoses to washer



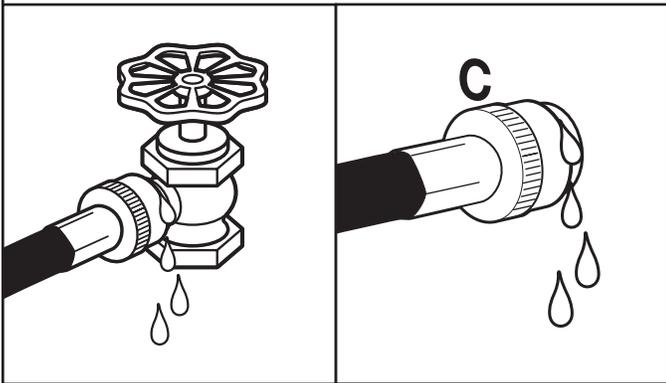
Attach hot water hose to hot water inlet valve. Screw coupling by hand until it is snug. Use pliers to tighten couplings an additional two-thirds turn. Repeat with cold water inlet valve.

IMPORTANT: Do not overtighten or use tap or sealants on valve when attaching to faucets or washer. Damage can result.

NOTE: To reduce risk of hose failure, replace the hoses every 5 years. Record hose installation or replacement dates for future reference.

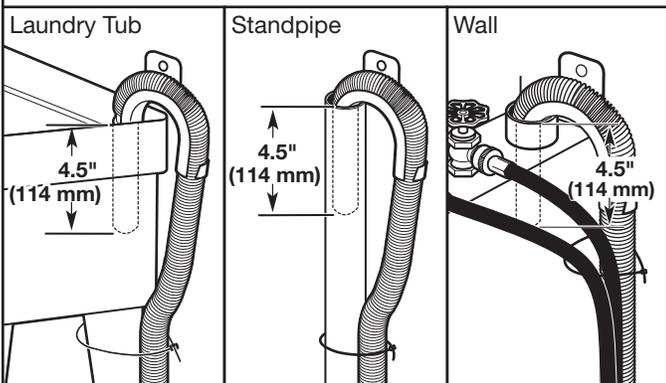
- Periodically inspect and replace hoses if bulges, kinks, cuts, wear, or leaks are found.

11. Check for leaks



Slowly turn on water faucets to check for leaks. A small amount of water may enter washer. It will drain later.

12. Secure drain hose

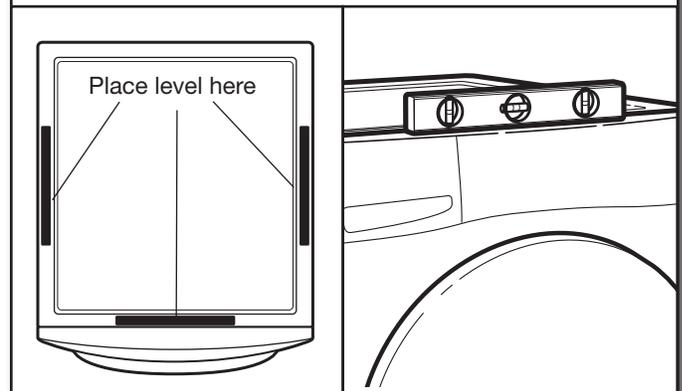


Secure drain hose to laundry tub leg, drain standpipe, or inlet hoses for wall standpipe with cable tie.

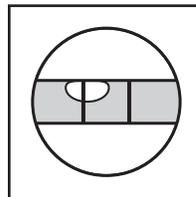
LEVEL WASHER

IMPORTANT: Leveling your washer properly reduces excess noise and vibration.

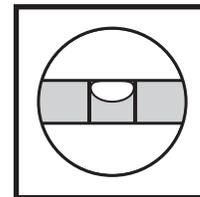
13. Check levelness of washer



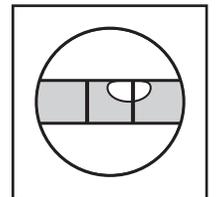
Remove cardboard from beneath washer. Place a level on top edges of washer, checking each side and front. If not level, tip washer and adjust feet up or down as shown in steps 15 and 16, repeating as necessary.



Not Level

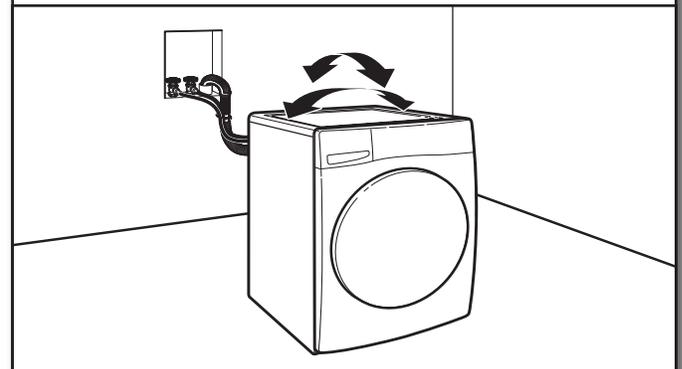


LEVEL



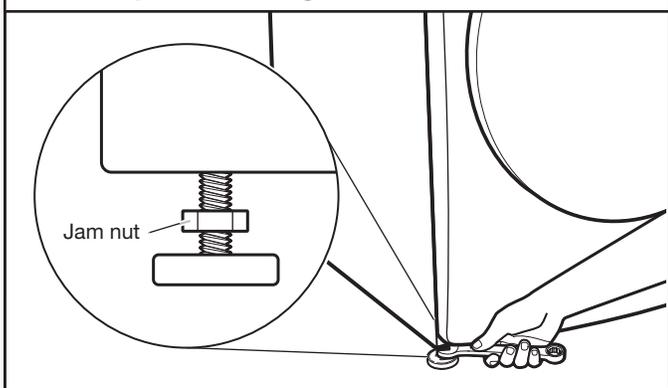
Not Level

14. Rock washer to test foot contact



Grip washer from top and rock back and forth, making sure all four feet are firmly on floor. Repeat, rocking washer from side to side. If washer rocks, go to step 15 and adjust leveling feet. If all four feet are in firm contact with floor, go to Step 16.

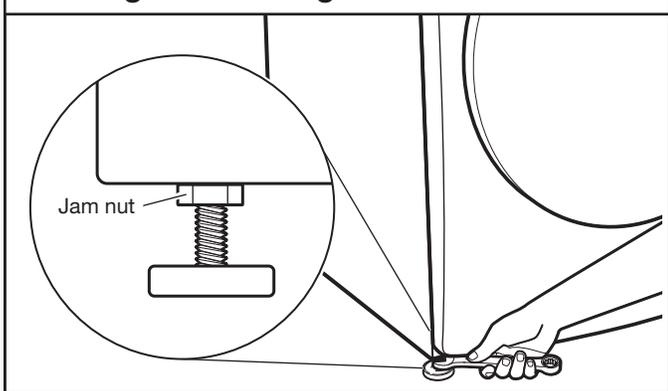
15. Adjust leveling feet



If washer is not level, use a 9/16" (14 mm) open-end or adjustable wrench to turn jam nuts clockwise on feet until they are about 1/2" (13 mm) from the washer cabinet. Then turn the leveling foot clockwise to lower the washer or counterclockwise to raise the washer. Do not exceed 2" (50 mm) from bottom of foot to bottom of cabinet. Recheck levelness of washer and that all four feet are firmly in contact with the floor. Repeat as needed.

HELPFUL TIP: You may want to prop up front of washer about 4" (102 mm) with a wood block or similar object that will support weight of washer.

16. Tighten leveling feet



When washer is level and all four feet are firmly in contact with the floor, use a 9/16" (14 mm) open-end or adjustable wrench to turn jam nuts counterclockwise on leveling feet tightly against washer cabinet.

HELPFUL TIP: You may want to prop washer with wooden block.

⚠ WARNING



Electrical Shock Hazard

Plug into a grounded 3 prong outlet.

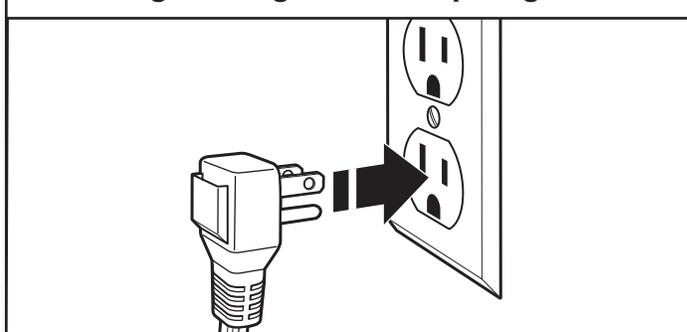
Do not remove ground prong.

Do not use an adapter.

Do not use an extension cord.

Failure to follow these instructions can result in death, fire, or electrical shock.

17. Plug into a grounded 3 prong outlet



COMPLETE INSTALLATION CHECKLIST

- Check electrical requirements. Be sure you have correct electrical supply and recommended grounding method.
- Check that all parts are now installed. If there is an extra part, go back through steps to see what was skipped.
- Check that you have all of your tools.
- Check that transport materials were completely removed from back of washer.
- Check that both hot and cold hoses are attached and water faucets are on.
- Check for leaks around faucets, valves, and inlet hoses.
- Remove protective film from console and any tape remaining on washer.
- Check that washer is plugged into a grounded 3 prong outlet.
- Dispose of/recycle all packaging materials.
- Read "Using Your Washer" in your Washer Use and Care Guide.
- To test and clean your washer, press POWER and choose the Quick cycle and run it without clothes. Use only HE detergent. Use 1/2 the manufacturer's recommended amount for a medium-size load.

SÉCURITÉ DE LA LAVEUSE

Votre sécurité et celle des autres est très importante.

Nous donnons de nombreux messages de sécurité importants dans ce manuel et sur votre appareil ménager. Assurez-vous de toujours lire tous les messages de sécurité et de vous y conformer.



Voici le symbole d'alerte de sécurité.

Ce symbole d'alerte de sécurité vous signale les dangers potentiels de décès et de blessures graves à vous et à d'autres.

Tous les messages de sécurité suivront le symbole d'alerte de sécurité et le mot "DANGER" ou "AVERTISSEMENT". Ces mots signifient :

⚠ DANGER

Risque possible de décès ou de blessure grave si vous ne suivez pas immédiatement les instructions.

⚠ AVERTISSEMENT

Risque possible de décès ou de blessure grave si vous ne suivez pas les instructions.

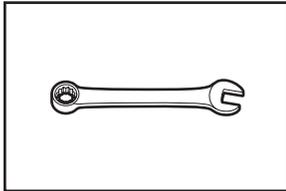
Tous les messages de sécurité vous diront quel est le danger potentiel et vous disent comment réduire le risque de blessure et ce qui peut se produire en cas de non-respect des instructions.

EXIGENCES D'INSTALLATION

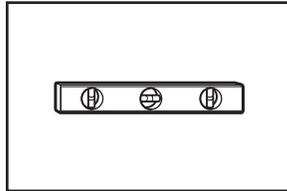
OUTILLAGE ET PIÈCES

Rassembler les outils et pièces nécessaires avant de commencer l'installation.

Outillage nécessaire :

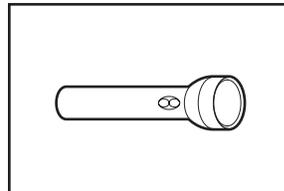


Clés plates ou clés à molette de 1/2" (13 mm), 5/8" (16 mm) et 9/16" (14 mm)

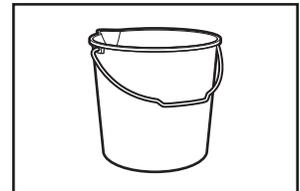


Niveau

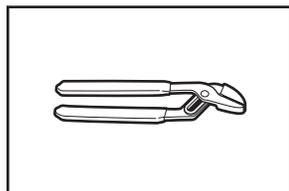
Outillage facultatif :



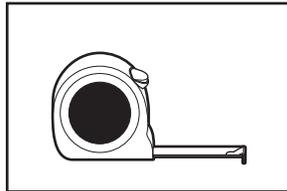
Lampe de poche



Seau

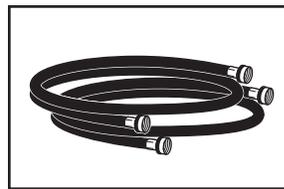


Pince avec ouverture jusqu'à 1⁹/₁₆" (39,5 mm)

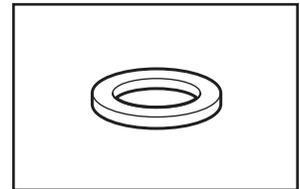


Règle ou mètre ruban

Pièces nécessaires : (Non fournies avec la laveuse)



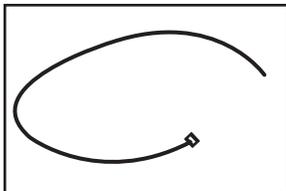
Tuyaux d'arrivée d'eau (2)



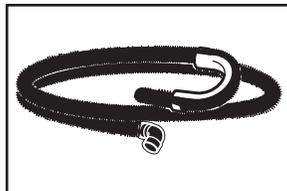
Rondelles plates pour tuyau d'arrivée d'eau (4)

Pièces fournies :

REMARQUE : Toutes les pièces fournies pour l'installation se trouvent dans le panier de la laveuse.



Attache-câble



Tuyau de vidange avec bride et bride de retenue (peuvent être livrés non montés)

Accessoires disponibles :

Vous pouvez obtenir un piédestal facultatif assorti pour la laveuse. Contacter le revendeur pour effectuer la commande ou voir la page "Assistance ou service" au dos du Guide d'utilisation et d'entretien.

Autres pièces : (Non fournies avec la laveuse)

Il se peut que l'installation nécessite des pièces supplémentaires. Pour commander, consulter les numéros d'appel sans frais figurant sur la page de couverture du Guide d'utilisation et d'entretien.

Si vous avez :

Un égout surélevé

Il vous faudra :

Tuyau de vidange standard de 20 gal. (76 L) de 39" (990 mm) de haut ou évier de décharge, pompe de puisard et connecteurs (disponibles chez les vendeurs de matériel de plomberie locaux)

Tuyaux d'arrivée d'eau alternatifs :

(peuvent être nécessaires pour certaines installations; ne sont pas fournis avec la laveuse)

- 8212656RP Tuyau d'arrivée d'eau de 10 pi. (3 m), EPDM noir (lot de 2)
- 8212641RP Tuyau d'arrivée d'eau de 5 pi. (1,5 m), EPDM noirs (lot de 2)
- 8212546RP Tuyau d'arrivée d'eau de 4 pi. (1,2 m), EPDM noirs (lot de 2)
- 8212545RP Tuyau d'arrivée d'eau de 5 pi. (1,5 m), EPDM rouge et bleu (lot de 2)
- 8212487RP Tuyau d'arrivée d'eau en nylon tressé de 5 pi. (1,5 m) (lot de 2)
- 8212638RP Tuyau d'arrivée d'eau en nylon tressé de 6 pi (1,8 m), coude compact à 90°, raccords hydro-blue en acier (lot de 2)

EXIGENCES D'EMPLACEMENT

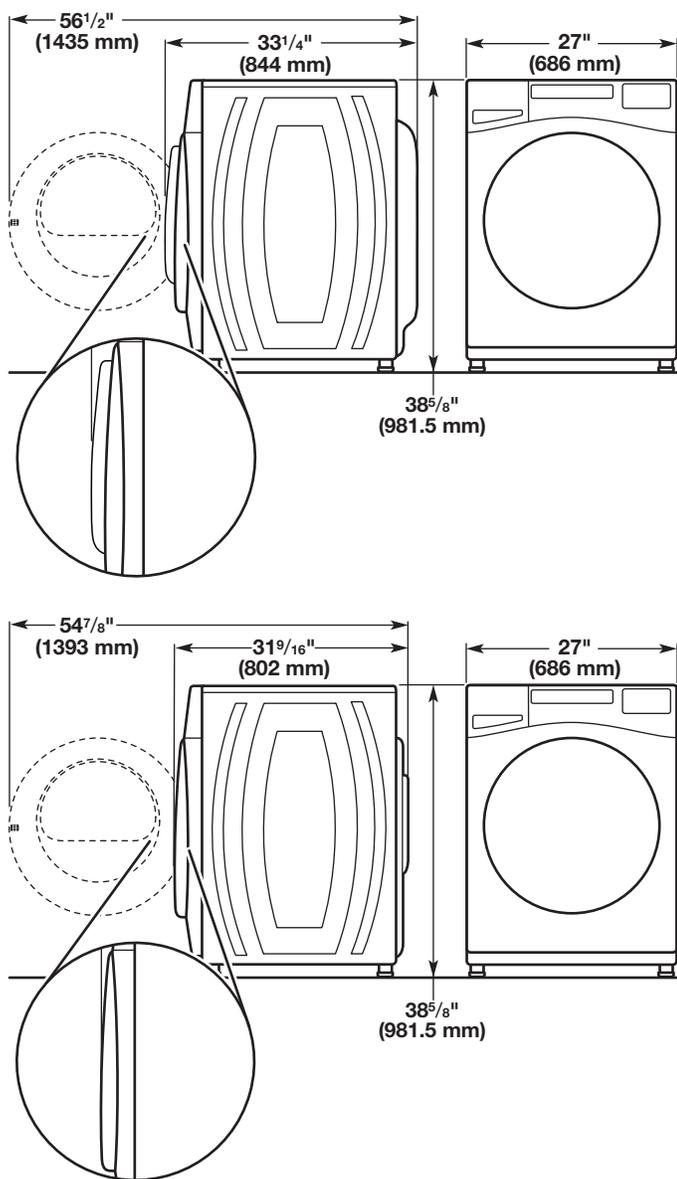
C'est à l'utilisateur qu'incombe la responsabilité de réaliser une installation correcte.

Il vous faudra :

- Un chauffe-eau réglé à 120 °F (49 °C).
- Une prise électrique reliée à la terre et située à moins de 6 pi (1,8 m) du cordon d'alimentation situé à l'arrière de la laveuse.
- Des robinets d'eau chaude et d'eau froide situés à moins de 4 pi (1,2 m) des électrovannes de remplissage d'eau chaude et d'eau froide situées sur la laveuse et une pression d'eau de 20 à 100 lb/po² (137,9 à 689,6 kPa).
- Un plancher de niveau avec une pente maximale de 1" (25 mm) sous l'ensemble de la laveuse. Il n'est pas recommandé de l'installer sur un tapis, de la moquette ou des surfaces avec endos en mousse.
- Un plancher capable de supporter le poids total de 315 lb (143 kg) de la laveuse (eau et charge comprises).

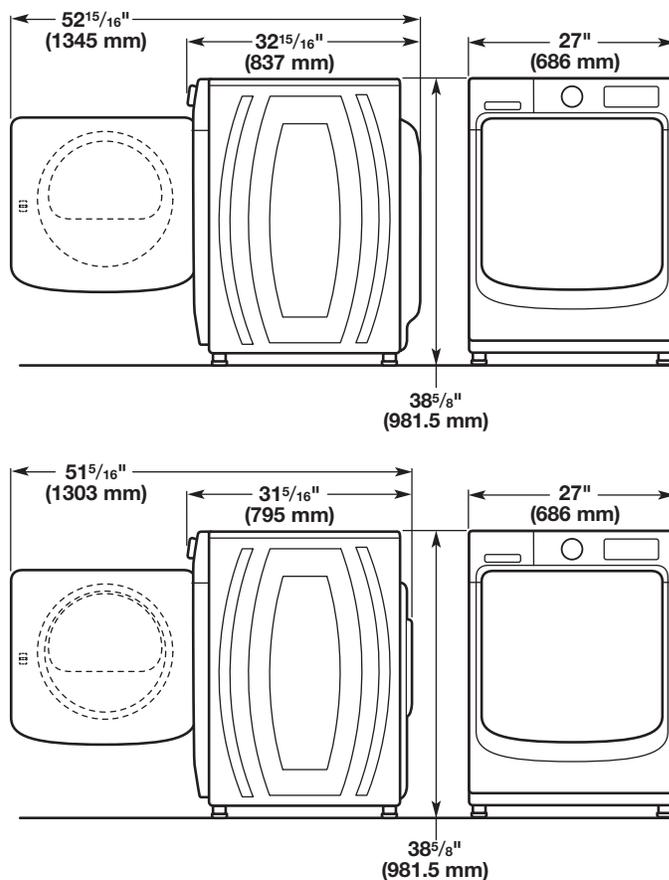
IMPORTANT : Ne pas installer, remiser ou faire fonctionner la laveuse à un emplacement où elle sera exposée aux intempéries ou à des températures inférieures à 32 °F (0 °C). De l'eau restée dans la laveuse après utilisation peut causer des dommages à basse température. Voir "Entretien de la laveuse" dans le Guide d'utilisation et d'entretien de la laveuse pour des renseignements sur l'hivernisation.

Modèles Whirlpool*



*Pour plus de détails (ou de renseignements) relatifs à votre modèle, voir le 'Dimensions' indiquées pour ce modèle à www.whirlpool.com.

Modèles Maytag

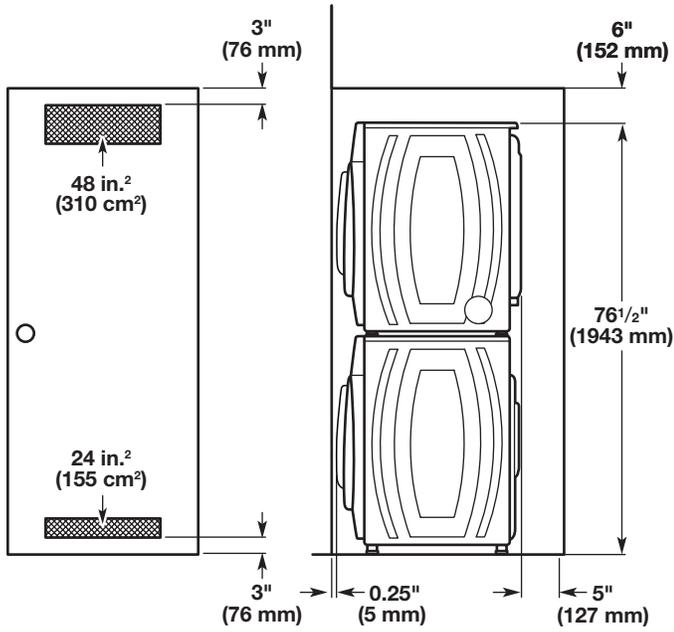


Toutes les dimensions représentent les dégagements le minimum permis.

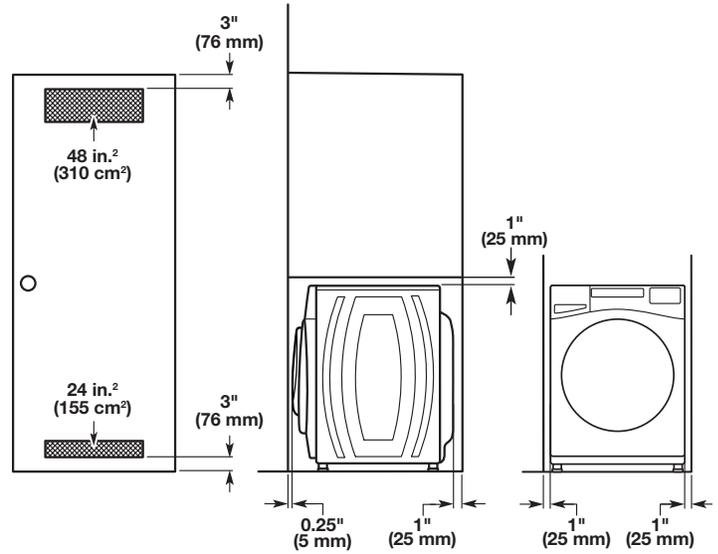
Pour chaque configuration, on peut éventuellement laisser davantage de dégagement pour faciliter l'installation et l'entretien; des distances de séparation pur les appareils ménagers voisins et des dégagements pour les murs, les portes et les moulures de plancher.

Le dégagement octroyé doit permettre à la porte de s'ouvrir complètement. Ajouter un espace supplémentaire de 1" (25 mm) de tous les côtés de la laveuse pour réduire le transfert de bruit. Si l'on installe une porte de placard ou une porte à persiennes, des ouvertures d'aération au sommet et au bas de la porte sont nécessaires.

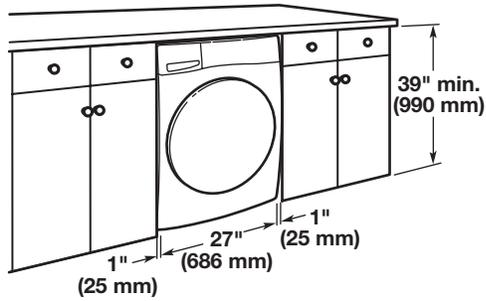
Installation dans un encastrement ou un placard (laveuse et sècheuse superposées) :



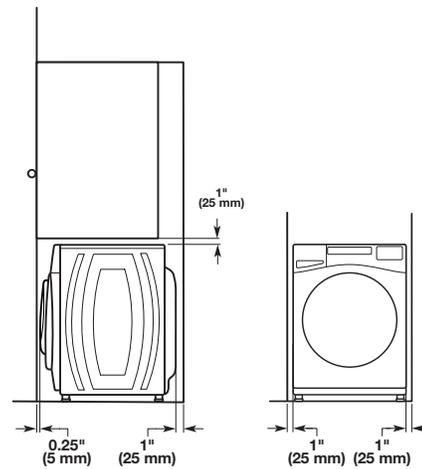
Installation dans un encastrement ou un placard (laveuse uniquement) :



Installation sous comptoir personnalisée :



Installation dans un placard personnalisée :

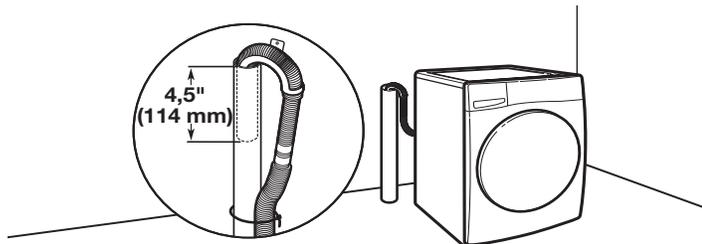


SYSTÈME DE VIDANGE

Le système de vidange de la laveuse peut être installé à l'aide d'un conduit d'évacuation au plancher, un tuyau de rejet à l'égout au plancher ou mural ou un évier de buanderie. Sélectionner la méthode à utiliser.

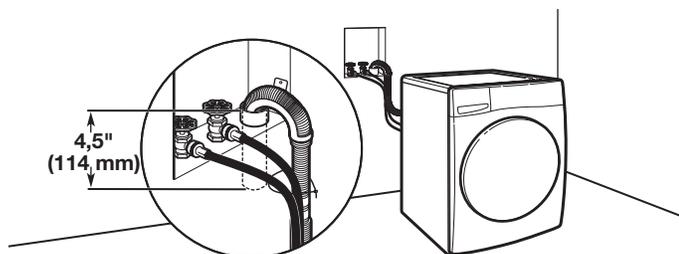
IMPORTANT : Pour éviter un effet de siphon, ne pas introduire plus de 4,5" (114 mm) de tuyau de vidange à l'intérieur du tuyau rigide de rejet à l'égout. Toujours immobiliser le tuyau de vidange avec un attache-câble.

Système de vidange avec tuyau de rejet à l'égout au plancher



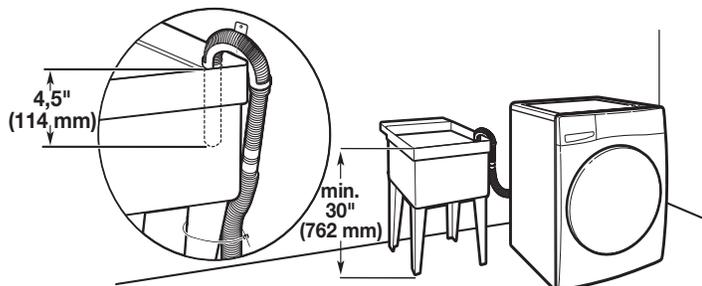
Diamètre minimal pour un tuyau rigide de rejet à l'égout : 2" (51 mm). Capacité minimale d'acheminement : 17 gal. (64 L) par minute. Un ensemble d'adaptateur de tuyau rigide de rejet à l'égout de 1/4" (6 mm) à 1" (25 mm) de diamètre est disponible (pièce numéro 3363920). Le sommet du tuyau de rejet à l'égout doit avoir une hauteur d'au moins 30" (762 mm); ne pas l'installer à plus de 96" (2,44 m) du fond de la laveuse. Si l'on possède un égout surélevé et que l'on doit l'installer à plus de 96" (2,44 m) de hauteur, un système de pompe de puisard (avec tout le matériel en rapport) est nécessaire. Voir "Autres pièces".

Système de vidange avec tuyau de rejet à l'égout mural



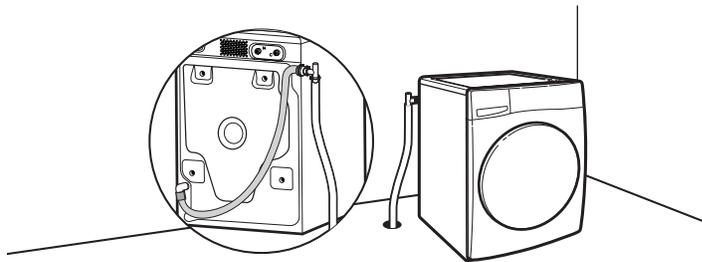
Voir les exigences pour le système de vidange avec tuyau rigide de rejet à l'égout au plancher.

Système de vidange dans un évier de buanderie



Capacité minimale : 20 gal. (76 L). Le sommet de l'évier de buanderie doit se trouver à au moins 30" (762 mm) du plancher; ne pas l'installer à plus de 96" (2,44 m) du fond de la laveuse.

Système de vidange au plancher



Le système de vidange au plancher nécessite un ensemble de brise-siphon, deux ensembles de raccordement et une rallonge de tuyau de vidange qui peuvent être achetés séparément. Contacter le revendeur pour effectuer la commande ou voir la page "Assistance ou service" au dos du guide d'utilisation et d'entretien. Hauteur minimale du brise-siphon : 28" (710 mm) à partir du fond de la laveuse. (Des tuyaux supplémentaires peuvent être requis).

SPÉCIFICATIONS ÉLECTRIQUES

⚠ AVERTISSEMENT



Risque de choc électrique

- Brancher sur une prise à 3 alvéoles reliée à la terre.
- Ne pas enlever la broche de liaison à la terre.
- Ne pas utiliser un adaptateur.
- Ne pas utiliser un câble de rallonge.
- Le non-respect de ces instructions peut causer un décès, un incendie ou un choc électrique.

- Une alimentation de 120 V, 60 Hz, CA seulement, de 15 ou 20 A, protégée par un fusible est requise. On recommande l'emploi d'un fusible ou d'un disjoncteur temporisé. Il est recommandé de raccorder l'appareil sur un circuit distinct exclusif à cet appareil.
- Cette laveuse comporte un cordon d'alimentation électrique à 3 broches pour liaison à la terre.
- Pour minimiser les risques de choc électrique, on doit brancher le cordon sur une prise de courant de configuration correspondante, à 3 alvéoles, reliée à la terre et installée conformément aux codes et règlements locaux. Si une prise de courant de configuration correspondante n'est pas disponible, le client a la responsabilité et l'obligation de faire installer par un électricien qualifié une prise de courant correctement reliée à la terre.
- Si les codes le permettent et si l'on utilise un conducteur distinct de liaison à la terre, il est recommandé qu'un électricien qualifié vérifie la qualité de la liaison à la terre.
- Ne pas utiliser une tuyauterie de gaz pour le raccordement à la terre.
- En cas de doute quant à la qualité de la liaison à la terre de la laveuse, consulter un électricien qualifié.
- Ne pas installer un fusible dans le conducteur neutre ou le circuit de liaison à la terre.

INSTRUCTIONS DE LIAISON À LA TERRE

Pour une laveuse reliée à la terre et connectée par un cordon :

Cette laveuse doit être reliée à la terre. En cas d'anomalie de fonctionnement ou de panne, la liaison à la terre réduira le risque de choc électrique en offrant au courant électrique un itinéraire d'évacuation de moindre résistance. Cette laveuse est alimentée par un cordon électrique comportant un conducteur relié à la terre et une fiche de branchement munie d'une broche de liaison à la terre. La fiche doit être branchée sur une prise de courant appropriée qui est bien installée et reliée à la terre conformément à tous les codes et règlements locaux.

AVERTISSEMENT : Le raccordement incorrect de cet appareil au conducteur de liaison à la terre peut susciter un risque de choc électrique. En cas de doute quant à la qualité de la liaison à la terre de l'appareil, consulter un électricien ou technicien d'entretien qualifié.

Ne pas modifier la fiche de branchement fournie avec l'appareil – si la fiche ne correspond pas à la configuration de la prise de courant, demander à un électricien qualifié d'installer une prise de courant convenable.

INSTRUCTIONS D'INSTALLATION

⚠ AVERTISSEMENT

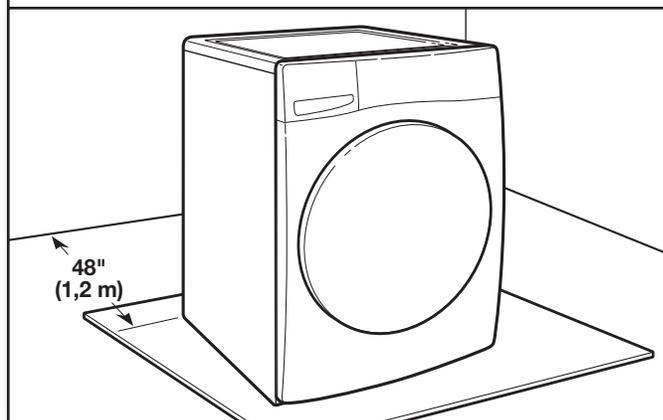
Risque du poids excessif

Utiliser deux ou plus de personnes pour déplacer et installer la laveuse.

Le non-respect de cette instruction peut causer une blessure au dos ou d'autre blessure.

REMARQUE : Pour éviter d'endommager le plancher, installer la laveuse sur un carton avant de la déplacer.

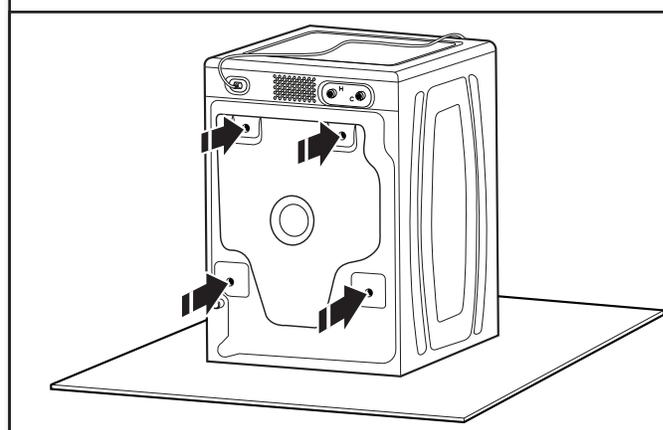
1. Déplacer la laveuse



Il est nécessaire de retirer tout le matériel d'expédition pour un fonctionnement correct et pour éviter que la laveuse ne fasse trop de bruit.

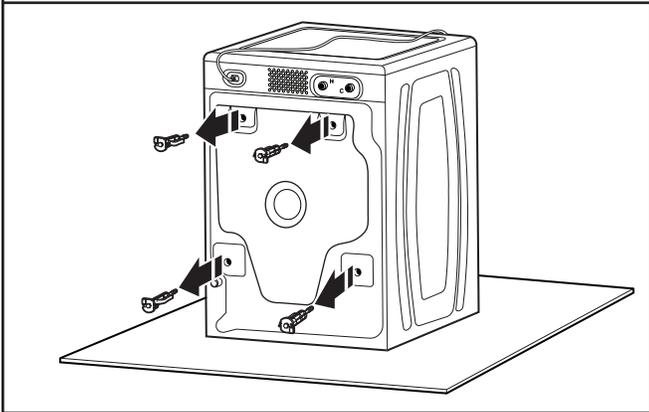
Déplacer la laveuse à moins de 4 pi (1,2 m) de son emplacement final. Elle doit être en position complètement verticale.

2. Localiser les boulons de transport



Localiser quatre boulons de transport situés l'arrière de la laveuse.

3. Retirer les boulons de transport de la laveuse

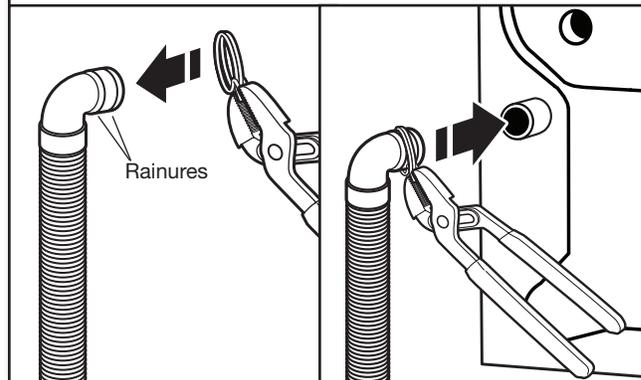


Desserrer les boulons avec une clé de 5/8" (16 mm). Déplacer chaque boulon et cale vers le centre du trou. Retirer les boulons et les cales en plastique de l'arrière de la laveuse. Jeter les boulons et cales d'espacement.

IMPORTANT : Ne pas brancher la laveuse avant d'avoir terminé l'installation.

RACCORDEMENT DU TUYAU DE VIDANGE

4. Fixation du tuyau de vidange à l'orifice de vidange



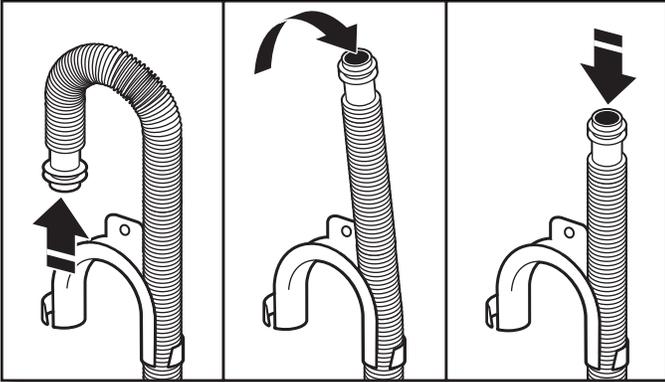
Si la bride n'est pas déjà installée sur l'extrémité coudée du tuyau de vidange, serrer la bride avec une pince et la faire glisser sur l'extrémité du tuyau en la centrant entre les rainures tel qu'illustré. Serrer la bride avec une pince et faire glisser à nouveau l'extrémité coudée du tuyau de vidange sur l'orifice de vidange, puis fixer avec la bride.

Pour un évier de buanderie ou un tuyau rigide de rejet à l'égout rigide, passer à l'étape 6.

Pour une vidange au plancher, retirer la bride de retenue pour tuyau de vidange préinstallée tel qu'indiqué à l'étape 5. Des pièces supplémentaires avec des instructions distinctes s'avèreront peut-être nécessaires. Voir "Autres pièces".

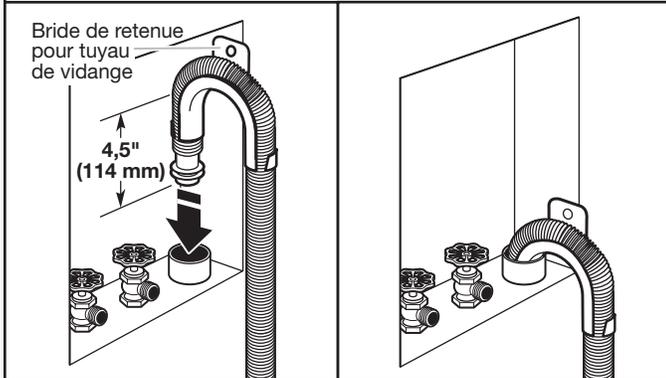
Il incombe à l'installateur d'installer et fixer solidement le tuyau de vidange à la canalisation d'évacuation de manière que le tuyau de vidange ne puisse sortir et causer d'éventuelles fuites de la canalisation d'évacuation.

5. Retrait de la bride de retenue pour tuyau de vidange (installations avec vidange au plancher uniquement)



Pour les installations avec vidange au plancher, il faut retirer la bride de retenue pour tuyau de vidange de l'extrémité du tuyau de vidange. Des pièces supplémentaires avec des directives distinctes seront peut-être nécessaires. Voir "Autres pièces".

6. Placer le tuyau de vidange dans le tuyau rigide de rejet à l'égout

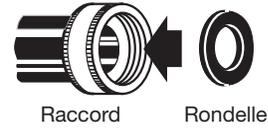


Placer le tuyau dans le tuyau rigide de rejet à l'égout (illustré sur l'image) ou par-dessus le côté de l'évier de buanderie.

IMPORTANT : 4,5" (114 mm) du tuyau de vidange doit être à l'intérieur du tuyau de rejet à l'égout; ne pas forcer l'excédent de tuyau dans le tuyau rigide de rejet à l'égout ni le placer dans l'évier de buanderie. On doit utiliser la bride de retenue pour tuyau de vidange.

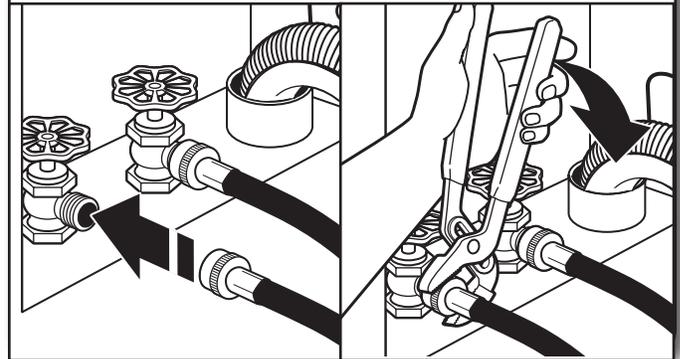
RACCORDEMENT DES TUYAUX D'ARRIVÉE D'EAU

7. Insérer les rondelles plates neuves



IMPORTANT : Afin d'éviter toute fuite, vérifier que les tuyaux d'arrivée d'eau comportent des rondelles d'étanchéité plates aux deux extrémités. La laveuse doit être raccordée aux robinets d'eau à l'aide des tuyaux d'arrivée d'eau et des rondelles neuves (non compris). Ne pas utiliser de tuyaux usagés. Ne pas utiliser de tuyaux sans installer de rondelles d'étanchéité.

8. Connecter les tuyaux d'arrivée d'eau aux robinets



Fixer le tuyau dont l'étiquette porte la mention "hot" (chaud) au robinet d'eau chaude. Visser le raccord à la main pour qu'il repose sur la rondelle. Serrer les raccords de deux tiers de tour supplémentaires à l'aide d'une pince. Répéter cette étape avec le tuyau portant la mention "cold" (froide) pour le robinet d'eau froide. Les deux tuyaux doivent être raccordés pour que la laveuse fonctionne correctement.

IMPORTANT : Ne pas serrer excessivement ni utiliser de ruban adhésif ou de dispositifs d'étanchéité lors de la fixation des robinets ou de la laveuse. Cela pourrait entraîner des dommages.

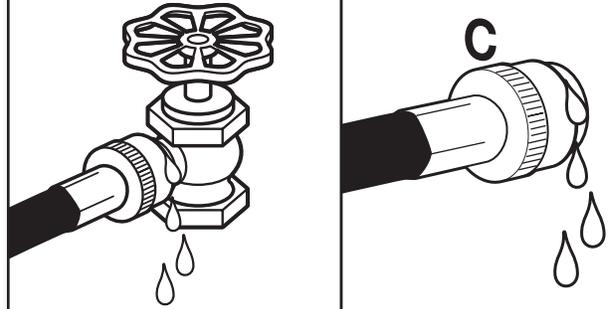
CONSEIL UTILE : Repérer quel tuyau est raccordé à l'eau chaude pour permettre une fixation correcte des tuyaux à la laveuse. Dans la plupart des configurations standard, les tuyaux se croisent lorsque fixés correctement.

9. Purger les canalisations d'eau



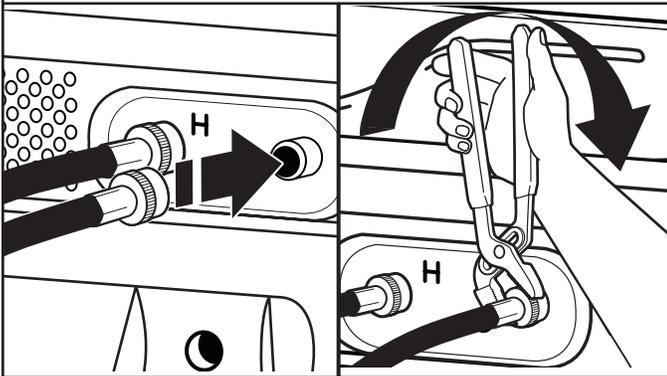
Faire couler pendant quelques secondes l'eau par les tuyaux dans l'évier de buanderie, le tuyau rigide de rejet à l'égout ou le seau pendant quelques secondes pour éviter toute obstruction. On doit laisser couler l'eau jusqu'à ce qu'elle soit limpide.

11. Rechercher les fuites éventuelles



Ouvrir lentement les robinets d'eau pour vérifier qu'il n'y a pas de fuite. Une petite quantité d'eau peut entrer dans la laveuse. Elle s'évacuera plus tard.

10. Connecter les tuyaux d'arrivée d'eau à la laveuse



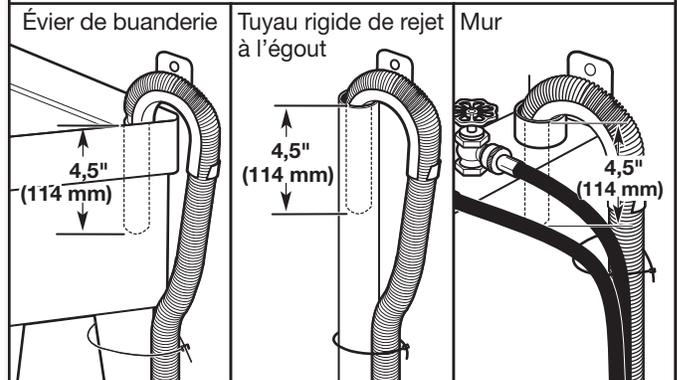
Fixer le tuyau d'eau chaude au robinet d'arrivée d'eau chaude. Visser le raccord à la main jusqu'à ce qu'il soit bien serré. Serrer les raccords de deux tiers de tour supplémentaires à l'aide d'une pince. Répéter pour le robinet d'eau froide.

IMPORTANT : Ne pas serrer excessivement ni utiliser de ruban adhésif ou de dispositifs d'étanchéité sur la valve lors de la fixation des robinets ou de la laveuse. Cela pourrait entraîner des dommages.

REMARQUE : Pour réduire le risque de défaillance des tuyaux, remplacer les tuyaux tous les 5 ans. Inscrire la date d'installation ou de remplacement des tuyaux pour référence ultérieure.

- Inspecter périodiquement les tuyaux et les remplacer en cas de renflement, de déformation, de coupure, d'usure ou si une fuite se manifeste.

12. Immobiliser le tuyau de vidange

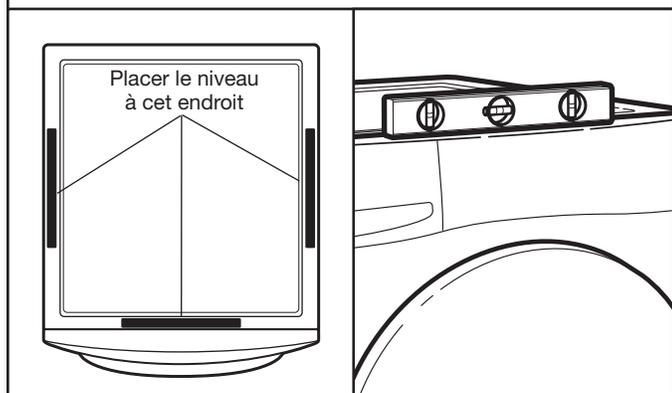


Fixer le tuyau de vidange au pied de l'évier de buanderie, au tuyau de rejet à l'égout ou aux tuyaux d'arrivée d'eau pour le tuyau de rejet à l'égout mural avec l'attache-câble.

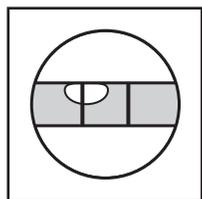
ÉTABLISSEMENT DE L'APLOMB DE LA LAVEUSE

IMPORTANT : L'établissement correct de l'aplomb de la laveuse permet de réduire les nuisances sonores et de limiter les vibrations.

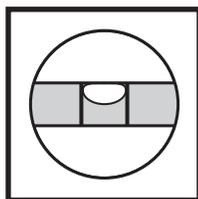
13. Contrôler l'aplomb de la laveuse



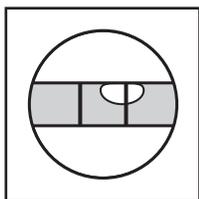
Enlever le morceau de carton placé sous la laveuse. Placer un niveau sur les bords supérieurs de la laveuse en contrôlant chaque côté et l'avant. Si elle n'est pas d'aplomb, faire basculer la laveuse et régler les pieds vers le haut ou vers le bas tel qu'indiqué dans les étapes 15 et 16, et recommencer si nécessaire.



Pas d'aplomb

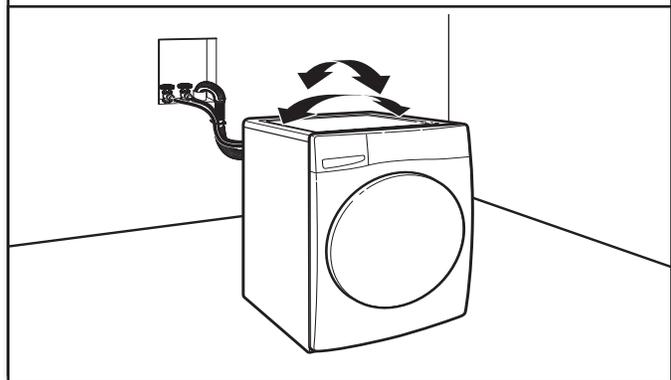


APLOMB



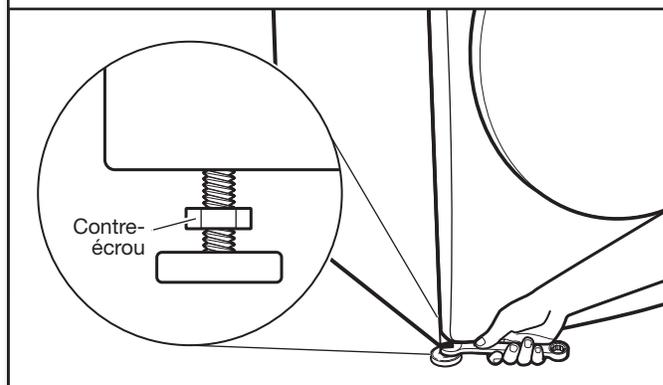
Pas d'aplomb

14. Faire basculer la laveuse pour tester la stabilité des pieds sur le plancher



Saisir la laveuse par le dessus et la faire basculer d'avant en arrière tout en s'assurant que les quatre pieds sont en contact ferme avec le plancher. Faire de nouveau basculer la laveuse, transversalement. Si la laveuse bascule, passer à l'étape 15 et ajuster les pieds de nivellement. Si les quatre pieds sont en contact ferme avec le plancher, passer à l'étape 16.

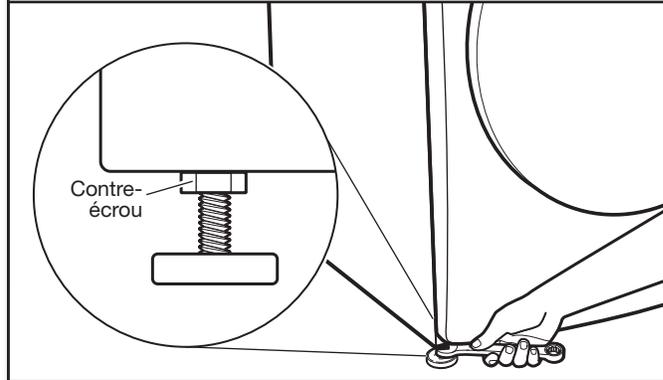
15. Ajuster les pieds de nivellement



Si la laveuse n'est pas d'aplomb, utiliser une clé plate ou une clé à molette de 9/16" (14 mm) pour tourner les contre-écrous dans le sens horaire jusqu'à ce qu'ils se trouvent à environ 1/2" (13 mm) de la caisse de la laveuse. Tourner ensuite le pied de nivellement dans le sens horaire pour abaisser la laveuse ou antihoraire pour la soulever. Ne dépassez pas 2" (50 mm) du bas du pied au bas de l'armoire. Contrôler à nouveau l'aplomb de la laveuse et vérifier que les quatre pieds sont bien au contact du plancher. Répéter au besoin.

CONSEIL UTILE : Il serait judicieux de soulever l'avant de la laveuse d'environ 4" (102 mm) à l'aide d'une cale en bois ou d'un objet similaire qui soutiendra le poids de la laveuse.

16. Serrer les pieds de nivellement



Une fois que la laveuse est d'aplomb et que les quatre pieds sont bien au contact du plancher, de la laveuse établi, utiliser une clé plate ou une clé à molette de 9/16" (14 mm) pour tourner les contre-écrous sur les pieds de nivellement dans le sens anti-horaire et les serrer fermement contre la caisse de la laveuse.

CONSEIL UTILE : Il serait judicieux d'étayer la laveuse à l'aide d'une cale en bois.

⚠ AVERTISSEMENT



Risque de choc électrique

Brancher sur une prise à 3 alvéoles reliée à la terre.

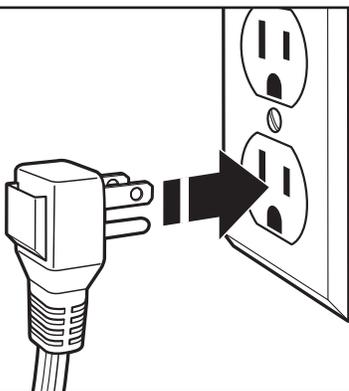
Ne pas enlever la broche de liaison à la terre.

Ne pas utiliser un adaptateur.

Ne pas utiliser un câble de rallonge.

Le non-respect de ces instructions peut causer un décès, un incendie ou un choc électrique.

17. Brancher sur une prise à 3 alvéoles reliée à la terre



LISTE DE VÉRIFICATION POUR L'ACHÈVEMENT DE L'INSTALLATION

- Consulter les spécifications électriques. S'assurer de disposer d'une source d'électricité appropriée et d'une liaison à la terre conforme à la méthode recommandée.
- Vérifier que toutes les pièces sont maintenant installées. S'il reste une pièce, passer en revue les différentes étapes pour découvrir laquelle aurait été oubliée.
- Vérifier la présence de tous les outils.
- Vérifier que tout le matériel d'expédition a été retiré de l'arrière de la laveuse.
- Vérifier que les tuyaux d'arrivée d'eau chaude et d'eau froide sont bien fixés et que les robinets d'eau sont ouverts.
- Vérifier qu'il n'y a pas de fuite autour des robinets et des tuyaux d'arrivée d'eau.
- Ôter la pellicule protectrice de la console et tout ruban adhésif resté sur la laveuse.
- Vérifier que la laveuse est branchée sur une prise de courant à 3 alvéoles reliée à la terre.
- Éliminer/recycler tous les matériaux d'emballage.
- Lire "Utilisation de la laveuse" dans le Guide d'utilisation et d'entretien de la laveuse.
- Pour tester la laveuse et la nettoyer, appuyer sur POWER (mise sous tension), sélectionner le programme Quick (rapide) et la faire fonctionner sans vêtements. Utiliser uniquement un détergent HE. Utiliser la moitié de la quantité recommandée par le fabricant pour une charge de taille moyenne.

DRYER DOOR REVERSAL INSTRUCTIONS

Round Doors with Electrical Wiring:

Tools Needed

Minimum 8" (203 mm) long TORX®, T20®, and T25® star drivers

#2 Phillips screwdriver



⚠ WARNING



Electrical Shock Hazard

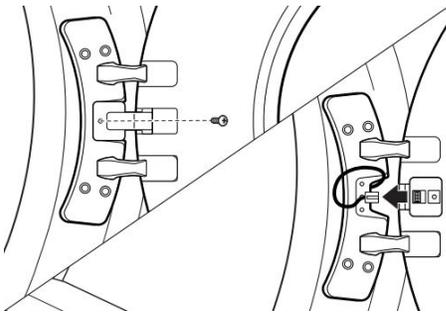
Disconnect power before servicing.

Replace all parts and panels before operating.

Failure to do so can result in death or electrical shock.

1. Disconnect wiring from door

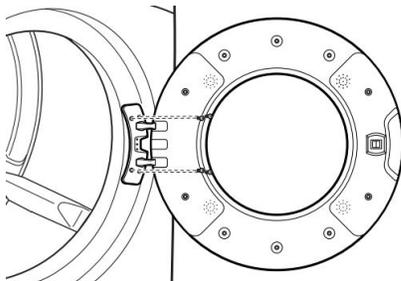
Using a Phillips screwdriver, remove middle screw in hinge. Disconnect wiring. Tuck wiring into opening.



2. Remove door from dryer

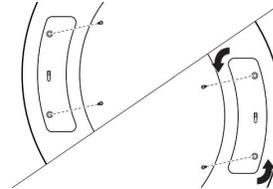
IMPORTANT: If the protective film has not yet been removed from the dryer, peel the film from the dryer door before proceeding.

Using a T25® screwdriver, remove the four screws securing the door hinge to the dryer and lift the door up and out to remove. Place the door on a soft towel or other non-scratch surface.



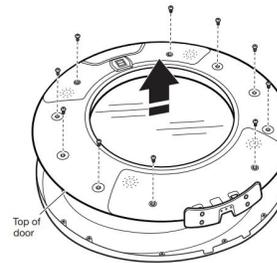
3. Move the door strike

Using a T25® screwdriver, remove the two screws securing the door strike to the door frame of the dryer. Rotate the strike 180° and attach to the opposite side of dryer door frame with the two screws removed earlier, as shown.



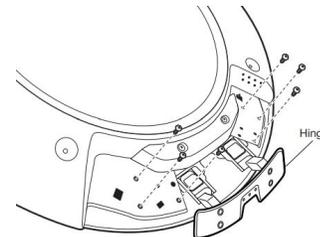
4. Remove inner door from outer door

Position the door with the inside of the door facing up. Using a Phillips screwdriver, remove the 10 screws securing the inner door to the outer door.



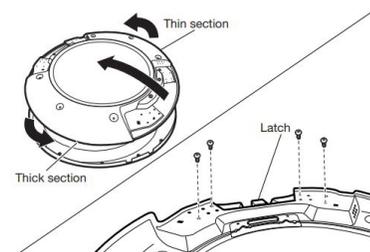
5. Remove hinge

Remove cover plate to reveal hinge assembly. Then, using a T20® screwdriver, remove the six screws holding the hinge assembly in place.



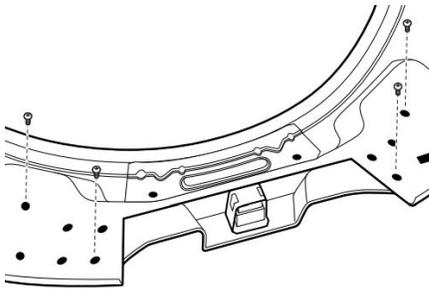
6. Remove latch

Flip and rotate the inner door 180° so that the thin section is at the top and the thick section is at the bottom. Using a T25® screwdriver, remove the four screws securing the latch plate in place.



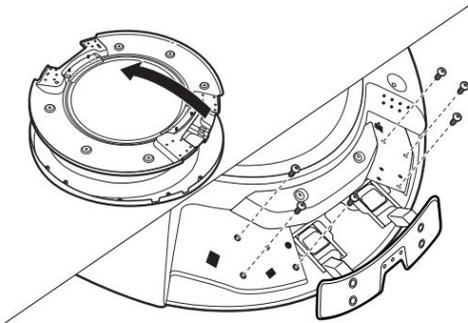
7. Reinstall latch on opposite side

Using a T25® screwdriver, reinstall the latch plate on the opposite side from which it was removed with the four screws removed earlier.



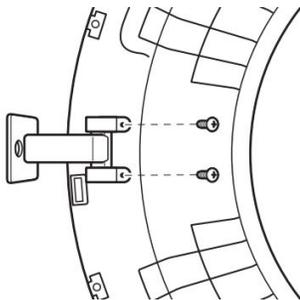
8. Reinstall hinge assembly on opposite side

Flip over the inner door to the left. Using a T20® screwdriver, reinstall the hinge assembly on the opposite side from which it was removed.



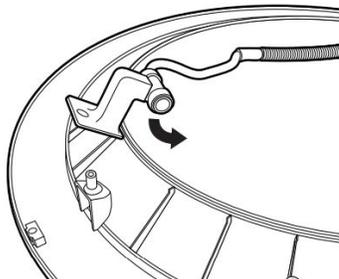
9. Remove rotating assembly

Lift off inner door assembly. Using a Phillips screwdriver, remove the two screws securing the rotating assembly to the door.



10. Reposition rotating assembly and tubing

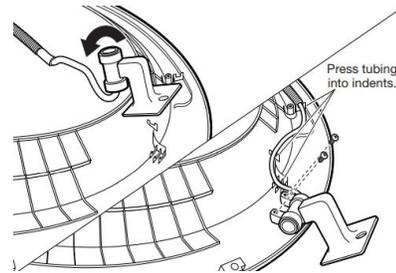
Reposition rotating assembly and tubing 180° to opposite side of the door.



11. Rotate assembly bottom and fasten

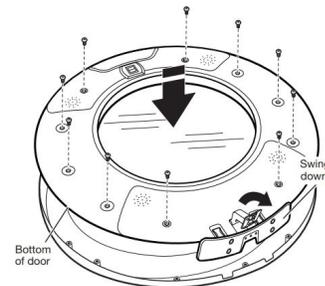
IMPORTANT: Make sure to swing hinge down in front of rotating assembly (see Step 12).

Rotate bottom of assembly 180° towards you and secure assembly with the two screws removed earlier, using a Phillips screwdriver. Press tubing into indents and reinstall hinge assembly cover plate.



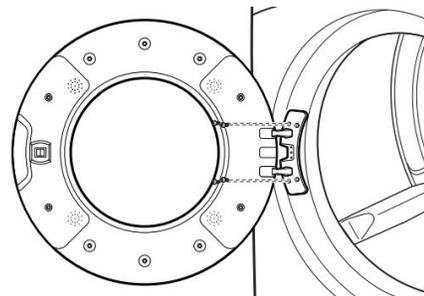
12. Reinstall inner door assembly

Position the door with the inside of the door facing up. Using a Phillips screwdriver, reinstall the 10 screws removed earlier, securing the inner door to the outer door.



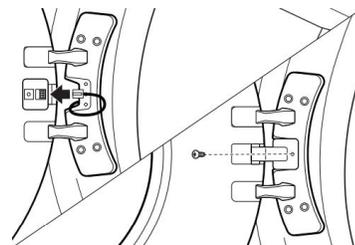
13. Reinstall door on dryer

Doors with electrical wiring: Pull the wire through the front panel opening before reinstalling the door. Insert the tabs on the hinge into the mounting slot and slide down to engage the top tab. Secure in place with the four T25® screws removed earlier.



14. Reconnect wiring (doors with electrical wiring)

Plug in wire. Using a Phillips screwdriver, secure the rotating assembly to the hinge with the screw removed earlier.



Troubleshooting

See your Owner's Manual or visit our website and reference Frequently Asked Questions to possibly avoid the cost of a service call.

INSTRUCTIONS POUR INVERSION DE PORTE DE SÉCHEUSE

Portes rondes avec câblage électrique :

Outils nécessaires

Tournevis mm) long TORX®, T20® et Tournevis Phillips n° 2 T25®† Tournevis cruciforme no 2 de 8" (203 mm) min. de long



⚠ AVERTISSEMENT



Risque de choc électrique

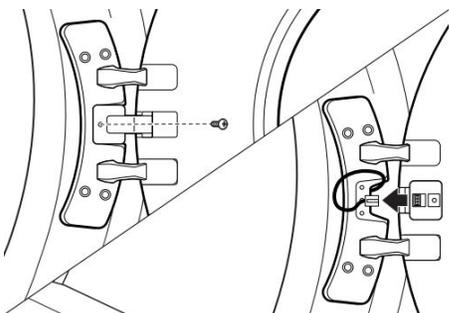
Déconnecter la source de courant électrique avant l'entretien.

Replacer pièces et panneaux avant de faire la mise en marche.

Le non-respect de ces instructions peut causer un décès ou un choc électrique.

1. Déconnecter le câblage de la porte

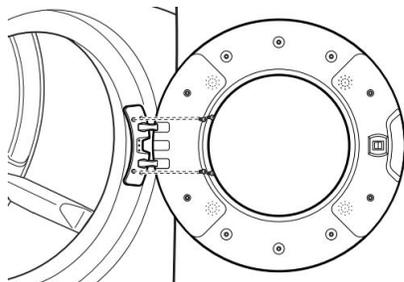
À l'aide d'un tournevis cruciforme, retirer la vis centrale de la charnière. Débrancher le câblage. Passer le câblage dans l'ouverture.



2. Retirer la porte de la sècheuse

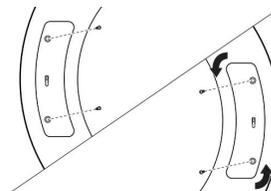
IMPORTANT : Si l'on n'a pas encore retiré la pellicule protectrice de la sècheuse, la décoller de la porte de la sècheuse avant de continuer.

À l'aide d'un tournevis T25®, retirer les quatre vis fixant la charnière de porte à la sècheuse et soulever la porte vers le haut et l'extérieur pour l'enlever. Placer la porte sur une serviette douce ou sur une surface lisse.



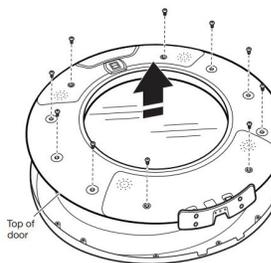
3. Déplacer la gâche de la porte

À l'aide d'un tournevis T25®, retirer les deux vis fixant la gâche de la porte au châssis de la porte de la sècheuse. Faire pivoter la gâche de 180° et la fixer au côté opposé du châssis de la porte de la sècheuse à l'aide des deux vis enlevées précédemment, comme indiqué.



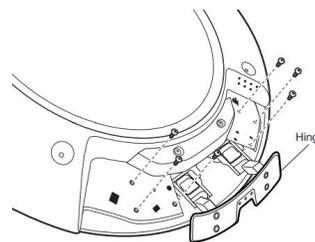
4. Dégager la porte interne de la porte externe

Positionner la porte de façon à ce que l'intérieur de la porte soit orienté vers le haut. À l'aide d'un tournevis cruciforme, retirer les 10 vis fixant l'intérieur de porte à l'extérieur de porte.



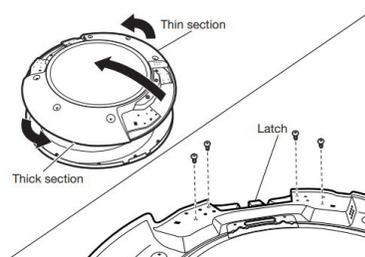
5. Enlever la charnière

Retirer la plaque de couvercle pour révéler la charnière. À l'aide d'un tournevis T20®, retirer les six vis maintenant en place la charnière.



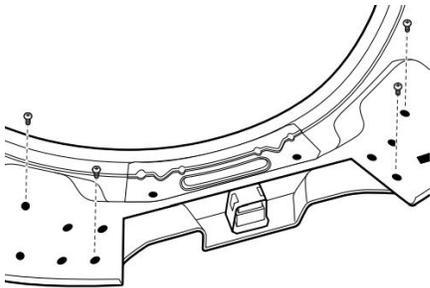
6. Enlever le loquet

Inverser et faire pivoter l'intérieur de porte de 180° pour que la section mince se situe en haut et la section épaisse en bas. À l'aide d'un tournevis T25®, retirer les quatre vis maintenant en place la plaque du loquet.



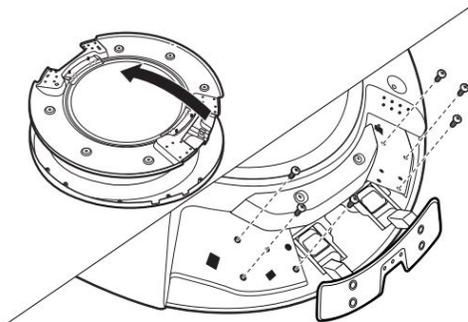
7. Réinstaller le loquet sur l'autre côté

À l'aide d'un tournevis T25®, réinstaller la plaque du loquet sur le côté opposé (par rapport à celui d'où il a été enlevé) en utilisant les quatre vis enlevées précédemment.



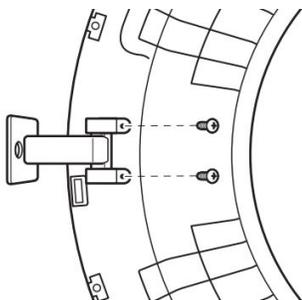
8. Réinstaller la charnière sur l'autre côté

Inverser l'intérieur de porte vers la gauche. À l'aide d'un tournevis T20®, réinstaller la charnière sur le côté opposé (par rapport à celui d'où il a été enlevé).



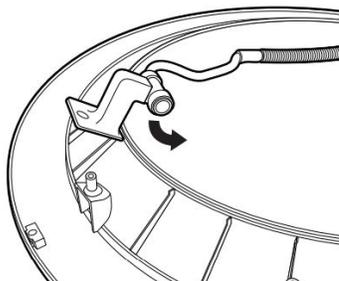
9. Enlever l'ensemble de rotation

Soulever le panneau interne de porte. À l'aide d'un tournevis cruciforme, retirer les deux vis fixant l'ensemble de rotation à la porte.



10. Replacer l'ensemble de rotation et le tube

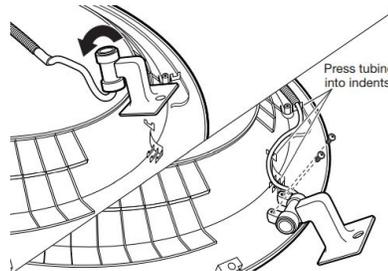
Replacer l'ensemble de rotation et le tube de 180°, du côté opposé de la porte.



11. Faire tourner la base de l'ensemble et serrer

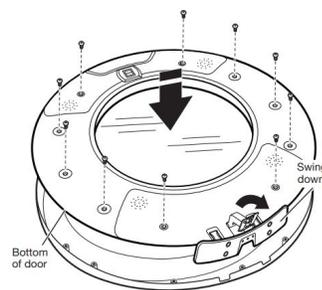
IMPORTANT : S'assurer d'ouvrir la charnière vers le bas en avant de l'ensemble de rotation (voir l'étape 12).

Faire tourner la base de l'ensemble de 180° vers vous et le fixer à l'aide des deux vis enlevées précédemment à l'aide d'un tournevis cruciforme. Insérer la canalisation dans les fentes et réinstaller la plaque de couvercle de la charnière.



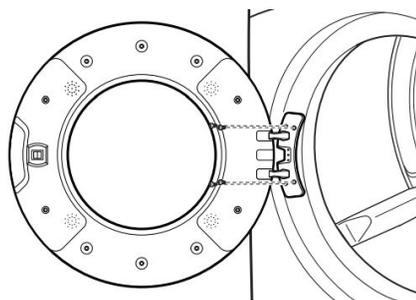
12. Réinstaller l'intérieur de porte

Positionner la porte de façon à ce que l'intérieur de la porte soit orienté vers le haut. À l'aide d'un tournevis cruciforme, retirer les 10 vis fixant l'intérieur de porte à l'extérieur de porte.



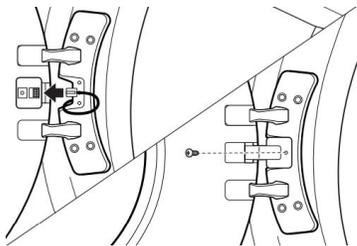
13. Réinstaller la porte sur la sècheuse

Portes avec câblage électrique : Passer le câblage par l'ouverture du panneau avant, avant de réinstaller la porte. Insérer les onglets sur la charnière dans l'encoche de montage et les faire glisser vers le bas pour engager l'onglet supérieur. Fixer avec les quatre vis T25® enlevées précédemment.



14. Rebrancher le câblage (portes avec câblage électrique)

Brancher le câblage. À l'aide d'un tournevis cruciforme, fixer l'ensemble de rotation à la charnière en utilisant la vis enlevée précédemment.



Dépannage

Voir le manuel d'utilisation ou consulter notre site Web et la Foire aux questions pour éventuellement éviter le coût d'une intervention de réparation.

INSTRUCCIONES PARA INVERTIR EL SENTIDO DE ABERTURA DE LA PUERTA DE LA SECADORA

Puertas redondas con cableado eléctrico:

Herramientas necesarias

Destornillador TORX®, T20® y T25® † de 8" (203 mm) de largo como mínimo

Tournevis cruciforme no 2



⚠ ADVERTENCIA



Peligro de Choque Eléctrico

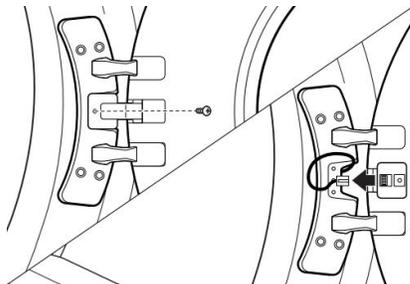
Desconecte el suministro de energía antes de darle servicio.

Vuelva a colocar todas las piezas y paneles antes de ponerlo a funcionar.

No seguir esta instrucción puede ocasionar la muerte o choque eléctrico.

1. Desconecte el cableado de la puerta

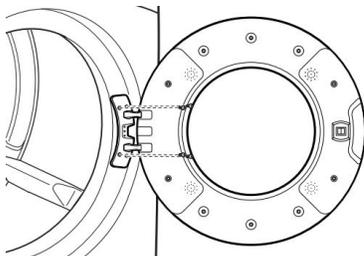
Use un destornillador Phillips para quitar el tornillo del medio de la bisagra. Desconecte el cableado. Pliegue el cableado al abrir.



2. Quite la puerta de la secadora

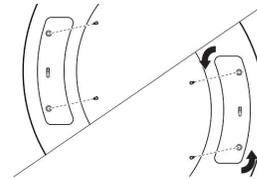
IMPORTANTE: Si aún no se ha retirado la película protectora de la secadora, quítela de la puerta de la secadora antes de seguir.

Con un destornillador T25®, quite los cuatro tornillos que aseguran la bisagra de la puerta a la secadora, levante y saque la puerta. Coloque la puerta sobre una toalla suave u otra superficie que no raye.



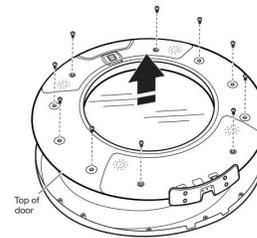
3. Mueva el tope de la puerta

Con un destornillador T25®, quite los dos tornillos que fijan el tope de la puerta al marco de la puerta de la secadora. Gire el tope 180° y asegúrelo al lado opuesto del marco de la puerta de la secadora, como se muestra.



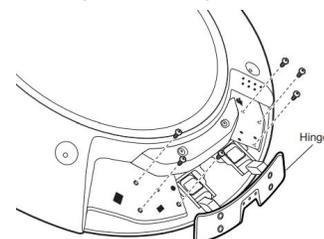
4. Quite la puerta interior de la puerta exterior

Coloque la puerta con el lado interior mirando hacia arriba. Con un destornillador Phillips, vuelva a colocar los 10 tornillos que retiró anteriormente y asegure la puerta interior con la exterior.



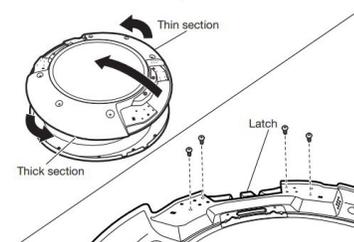
5. Quite la bisagra

Quite la placa de la tapa para ver el ensamblaje de la bisagra. Luego, con un destornillador T20® retire los seis tornillos que fijan el ensamblaje de la bisagra en su lugar.



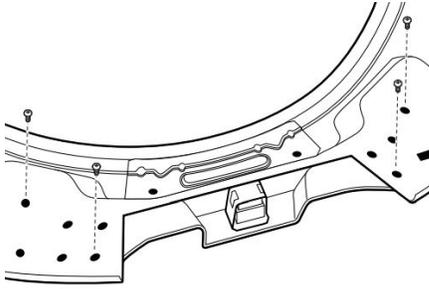
6. Retire el cierre

Coloque y gire la puerta interior 180° de modo que la sección delgada quede en la parte superior y la sección gruesa en la inferior. Con un destornillador T25®, retire los cuatro tornillos que fijan la placa del pestillo en su lugar.



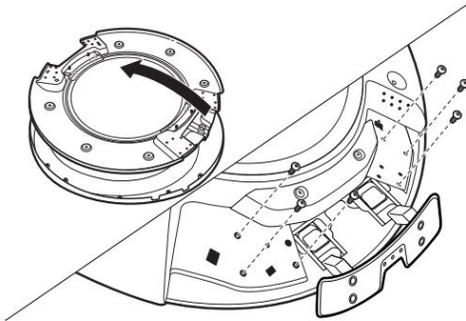
7. Vuelva a instalar el cierre en el lado opuesto

Con un destornillador T25®, vuelva a instalar la placa del pestillo en el lado opuesto desde el cual se retiró con los cuatro tornillos retirados anteriormente.



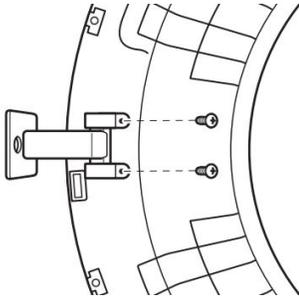
8. Vuelva a instalar el conjunto de la bisagra en el lado opuesto

Dé la vuelta a la puerta interior hacia la izquierda. Con un destornillador T20®, vuelva a instalar el ensamblaje de la bisagra en el lado opuesto del que se retiró.



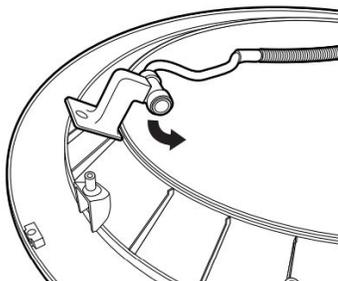
9. Retire el conjunto giratorio

Levante y saque el conjunto interior de la puerta. Con un destornillador Phillips, quite los dos tornillos que aseguran el ensamblaje giratorio a la puerta.



10. Vuelva a colocar el ensamblaje giratorio y la tubería

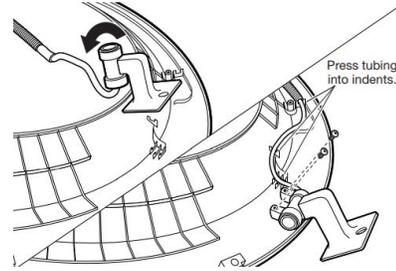
Vuelva a colocar el ensamblaje giratorio y la tubería 180° al lado opuesto de la puerta.



11. Gire la parte inferior del conjunto y asegúrelo en su lugar

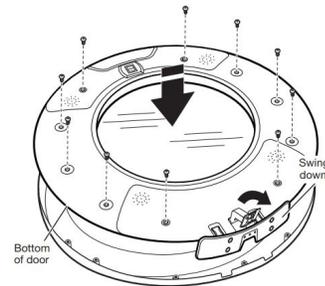
IMPORTANTE: Asegúrese de oscilar la bisagra hacia abajo frente al ensamblaje giratorio (ver paso 12).

Gire la parte inferior del ensamblaje 180° hacia usted y asegure el ensamblaje con los dos tornillos retirados anteriormente, con un destornillador Phillips. Presione la tubería en las hendiduras y vuelva a instalar la placa de la tapa del ensamblaje de la bisagra.



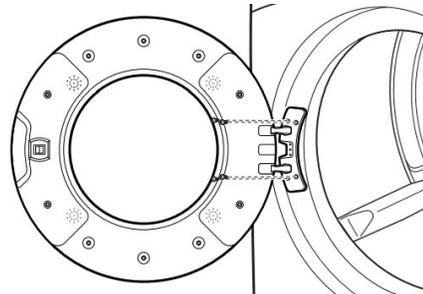
12. Vuelva a instalar el conjunto de la puerta interior

Coloque la puerta con el lado interior mirando hacia arriba. Con un destornillador Phillips, vuelva a colocar los 10 tornillos que retiró anteriormente y asegure la puerta interior con la exterior.



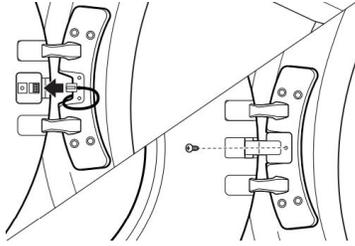
13. Vuelva a instalar la puerta en la secadora

Puertas con cableado eléctrico: Tire el cable a través de la abertura del panel frontal antes de volver a instalar la puerta. Inserte las lengüetas de la bisagra en la ranura de montaje y deslícela hacia abajo para enganchar la lengüeta superior. Asegúrela en su lugar con los cuatro tornillos T25® retirados anteriormente.



14. Vuelva a conectar el cableado (puertas con cableado eléctrico)

Conecte el cable. Con un destornillador Phillips, fije el ensamblaje a la bisagra con el tornillo retirado anteriormente.



Solución de problemas

Consulte el Manual del usuario o visite nuestro sitio web y consulte la sección de "Preguntas frecuentes", para evitar posiblemente el costo de una visita de servicio técnico.

PEDESTAL INSTALLATION INSTRUCTIONS

For use only with front load washers and dryers

INSTRUCTIONS D'INSTALLATION DU PIÉDESTAL

Pour utilisation avec les laveuses et sècheuses à chargement frontal

Para una versión de estas instrucciones en español, visite www.whirlpool.com

Table of Contents

PEDESTAL SAFETY	1
INSTALLATION REQUIREMENTS.....	2
Location Requirements	2
Tools and Parts.....	2
INSTALLATION INSTRUCTIONS.....	3
Before Installing Pedestal	3
INSTALLING THE PEDESTAL.....	4
COMPLETE THE INSTALLATION.....	5
WARRANTY	7

Table des matières

SÉCURITÉ DU PIÉDESTAL	9
EXIGENCES D'INSTALLATION	9
Exigences d'emplacement.....	9
Outillage et pièces.....	9
INSTRUCTIONS D'INSTALLATION.....	10
Avant l'installation du piédestal.....	10
INSTALLATION DU PIÉDESTAL.....	11
ACHEVER L'INSTALLATION.....	13
GARANTIE	15

INSTALLATION NOTES

Date of purchase: _____

Date of installation: _____

Installer: _____

Model number: _____

Serial number: _____

NOTES CONCERNANT L'INSTALLATION

Date d'achat : _____

Date d'installation : _____

Installateur : _____

Numéro de modèle : _____

Numéro de série : _____

PEDESTAL SAFETY

Your safety and the safety of others are very important.

We have provided many important safety messages in this manual and on your appliance. Always read and obey all safety messages.



This is the safety alert symbol.

This symbol alerts you to potential hazards that can kill or hurt you and others.

All safety messages will follow the safety alert symbol and either the word "DANGER" or "WARNING."

These words mean:

⚠ DANGER

You can be killed or seriously injured if you don't immediately follow instructions.

⚠ WARNING

You can be killed or seriously injured if you don't follow instructions.

All safety messages will tell you what the potential hazard is, tell you how to reduce the chance of injury, and tell you what can happen if the instructions are not followed.

INSTALLATION REQUIREMENTS

LOCATION REQUIREMENTS

⚠ WARNING



Explosion Hazard

Keep flammable materials and vapors, such as gasoline, away from dryer.

Place dryer at least 18 inches (460 mm) above the floor for a garage installation.

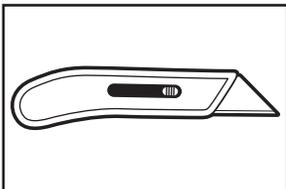
Failure to do so can result in death, explosion, or fire.

NOTE: If the washer/dryer and pedestal assembly are located in a garage, 8" (203 mm) must be added under the pedestal so that the washer/dryer is 18" (458 mm) above the garage floor.

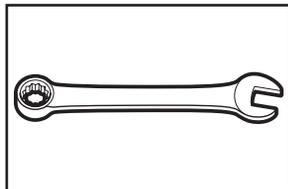
TOOLS AND PARTS

Gather the required tools and parts before starting installation.

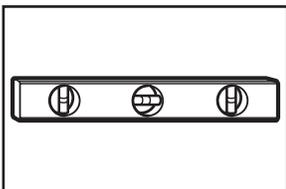
Tools needed:



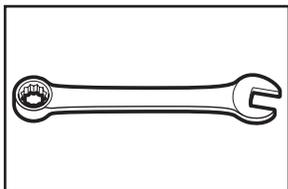
Utility knife



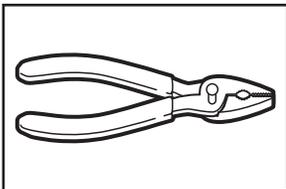
1/4" hex-head ratchet or open-end wrench



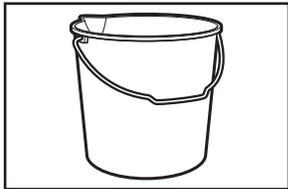
Level



9/16" open-end wrench

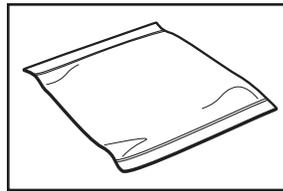


Pliers or slip-joint pliers

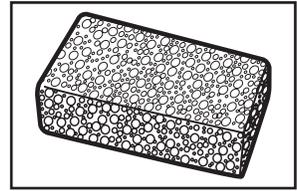


Bucket

Additional items needed:

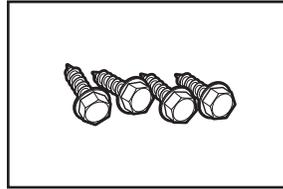


Towel

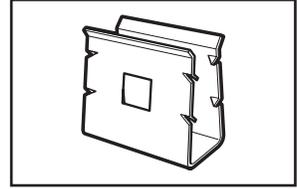


Sponge

Parts supplied:



Four #12 x 5/8" hex-head sheet metal screws (in parts bag)



Two retainer clips (in parts bag)

INSTALLATION INSTRUCTIONS

BEFORE INSTALLING PEDESTAL

IMPORTANT: If your washer and dryer are already installed, they must be uninstalled.

Uninstalling your washer

To avoid possible damage to the washer, the transport bolts on the back of the washer must be in place before installing the pedestal. For more information on transport bolts, see "Remove Transport System" in washer Use and Care Guide.

⚠ WARNING

Excessive Weight Hazard

Use two or more people to move and uninstall washer.

Failure to do so can result in back or other injury.

NOTE: If the washer is to be transported, call your local service center. To avoid suspension and structural damage, your washer must be properly set up for relocation by a certified technician.

1. Turn off the hot and cold water faucets.
2. Unplug the power supply cord.
3. Slowly loosen the fill hoses at the faucets to relieve the water pressure. Use a sponge or towel to absorb the released water.
4. Remove the "HOT" and "COLD" fill hoses from the back of the washer. Drain the water from the hoses into a bucket.
5. Remove the drain hose from the standpipe or laundry tub and drain any water remaining in the hose into a bucket.
6. Pull the washer away from the wall so it can be tipped on its back.
7. To avoid floor damage and ease installation and handling, unfold the empty pedestal box flat and place it next to the washer. Lay the washer on its back (make sure that the power supply cord is not under the washer) so that the cardboard is under the entire lower back edge of the washer.
8. An additional small amount of water will drain out of the washer when it is tipped back. Go to "Installing the Pedestal".

Uninstalling your electric dryer

⚠ WARNING

Excessive Weight Hazard

Use two or more people to move and uninstall dryer.

Failure to do so can result in back or other injury.

1. Unplug the power supply cord.
2. Pull the dryer away from the wall enough to loosen the vent clamp. Loosen the clamp and gently remove the exhaust vent from the dryer exhaust outlet.
3. Pull the dryer away from the wall so that it can be tipped on its back.
4. To avoid floor damage and ease installation and handling, unfold the empty pedestal box flat and place it next to the dryer. Lay the dryer on its back (make sure that the power supply cord is not under the dryer) so that the cardboard is under the entire lower back edge of the dryer. Go to "Installing the Pedestal".

Uninstalling your gas dryer

⚠ WARNING

Excessive Weight Hazard

Use two or more people to move and uninstall dryer.

Failure to do so can result in back or other injury.

1. Unplug the power supply cord.
2. Turn off the gas supply.
3. Pull the dryer away from the wall enough to loosen the vent clamp. Loosen the clamp and gently remove the exhaust vent from the dryer exhaust outlet.
4. Disconnect the flexible gas supply line from the dryer. Put a piece of tape over the open ends of the gas line connection fittings.
5. Pull the dryer away from the wall so that it can be tipped on its back.
6. To avoid floor damage and ease installation and handling, unfold the empty pedestal box flat and place it next to the dryer. Lay the dryer on its back (make sure that the power supply cord is not under the dryer) so that the cardboard is under the entire lower back edge of the dryer. Go to "Installing the Pedestal".

Installation of new washer/dryer

⚠ WARNING

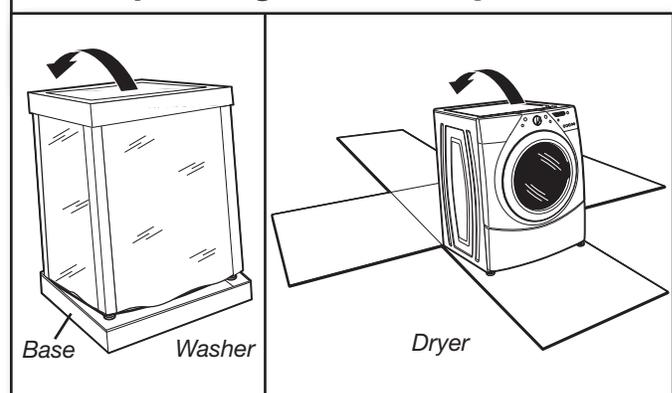
Excessive Weight Hazard

Use two or more people to move and install washer/dryer.

Failure to do so can result in back or other injury.

If your washer/dryer is still in the packaging:

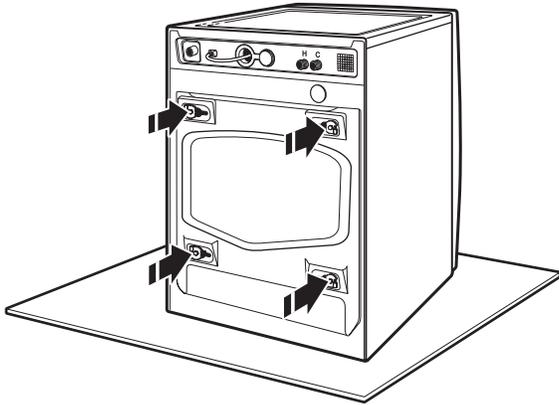
1. Unpacking Washer/Dryer



Washer: Cut plastic film along dotted cut line around the base. Do not remove the packaging.

Dryer: Cut carton around top and down corners along dotted cut lines. Lay all four carton sides on floor. Discard carton top and corner posts.

2. Washer transport bolts



Locate the transport bolts on rear of washer. Transport bolts must remain in washer while pedestal is installed. When laying the washer on its back, hold the base down on the floor. Do not remove the plastic film, corner posts, or top cap.

INSTALLING THE PEDESTAL

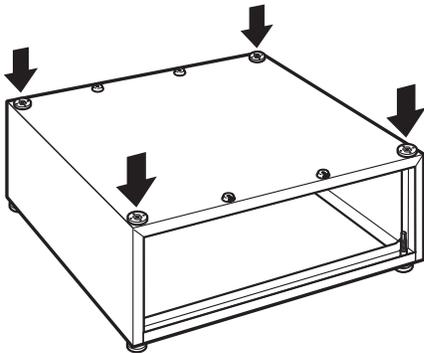
⚠ WARNING

Excessive Weight Hazard

**Use two or more people to move and install pedestal.
Failure to do so can result in back or other injury.**

Follow these instructions to install the pedestal on a washer or dryer.

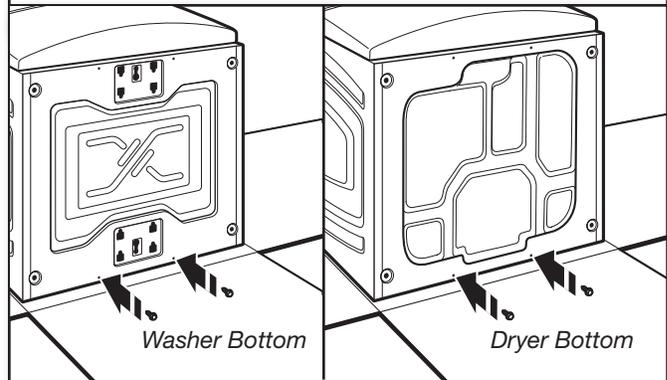
1. Locate spacer pads



Make sure that all four spacer pads are in place on the top of the pedestal. Spacer pads reduce vibration between the pedestal and the washer/dryer.

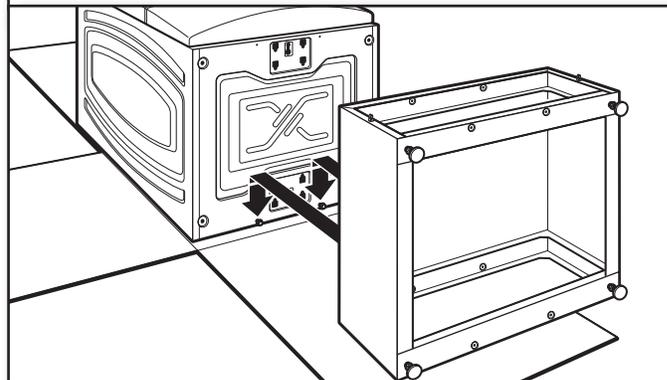
NOTE: If your washer/dryer has feet installed, remove them.

2. Prepare the washer/dryer



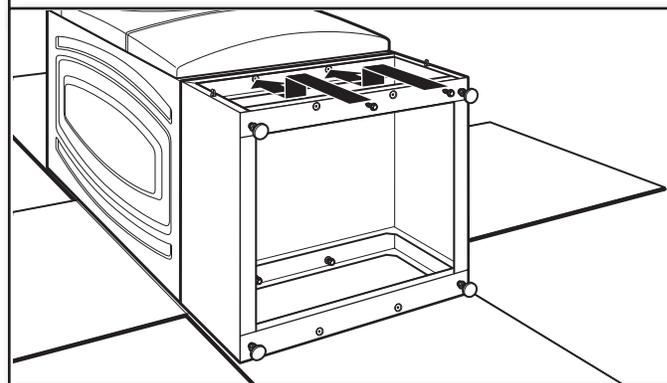
Partially install two of the #12 x 5/8" hex-head sheet metal screws in the lower holes. Leave a space of about 3/8" (10 mm) between the screw head and the bottom of the washer/dryer.

3. Attach the pedestal



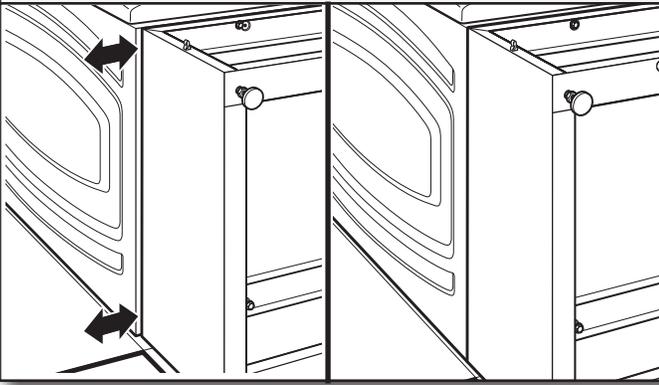
Move the pedestal against the washer/dryer bottom. Slide the pedestal's keyhole slots over the lower two partially installed screws.

4. Secure the pedestal



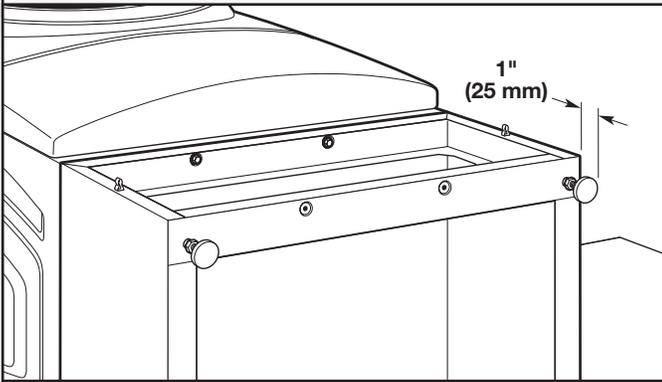
Position the pedestal toward the front of the washer/dryer and install the two remaining hex-head sheet metal screws. Do not tighten completely.

5. Align sides of pedestal



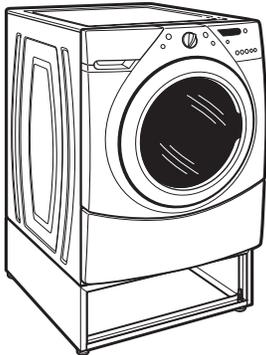
Align the sides of the pedestal so that they are even with the sides of the washer/dryer. Reach inside the pedestal opening and securely tighten all four pedestal screws.

6. Prepare pedestal feet



The pedestal arrives with the feet tight against the bottom of the unit. Using a 1/4" hex-head ratchet or open-end wrench, lower the feet approximately 1" (25 mm) away from the bottom of the pedestal.

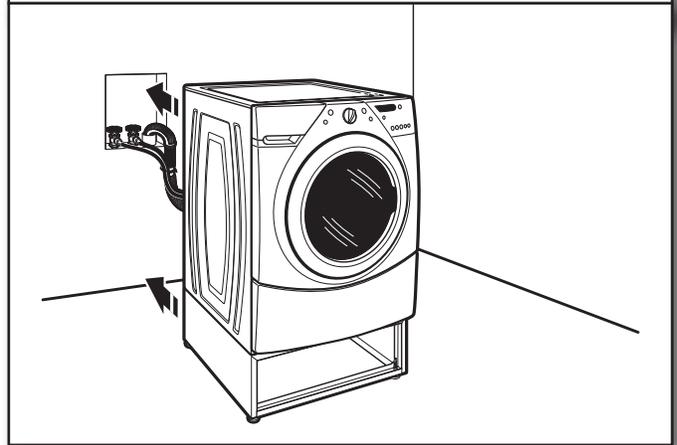
7. Stand the washer/dryer upright



Tip the washer/dryer back to its upright position. Remove and discard any remaining packaging material.

COMPLETE THE INSTALLATION

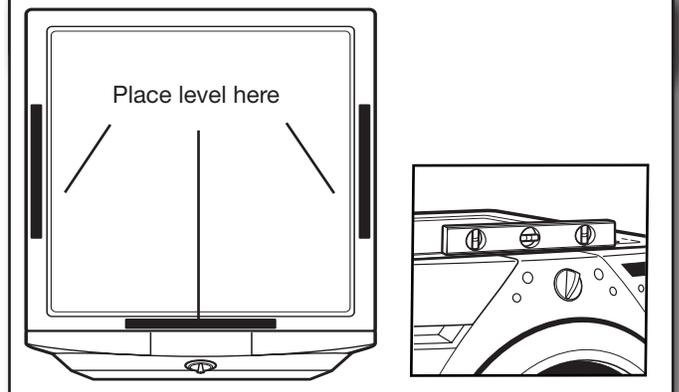
8. Move close to final location



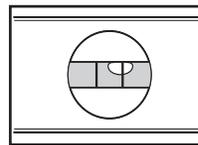
Follow the installation instructions that came with your model to finish installing or reinstalling your washer/dryer (i.e., hoses, vents, etc.).

NOTE: Be sure to remove the transport bolts from the back of the washer.

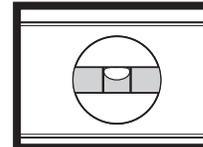
9. Check levelness of washer/dryer



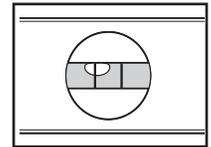
Place a level on top edges of washer/dryer, checking each side and front. Rock washer/dryer back and forth to make sure all four feet make solid contact with floor.



Not Level



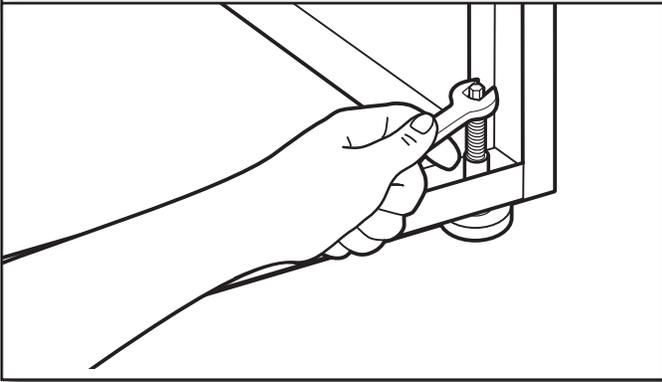
LEVEL



Not Level

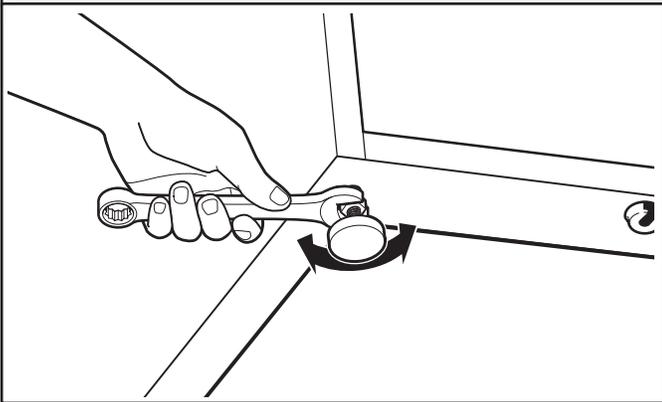
If not level, adjust pedestal feet up or down, repeating as necessary.

10. Adjust pedestal feet



Locate the 1/4" hex-head screws on the top of each pedestal foot. Reach inside the pedestal and use a 1/4" hex-head ratchet or open-end wrench to adjust the feet up or down as needed to level the washer/dryer.

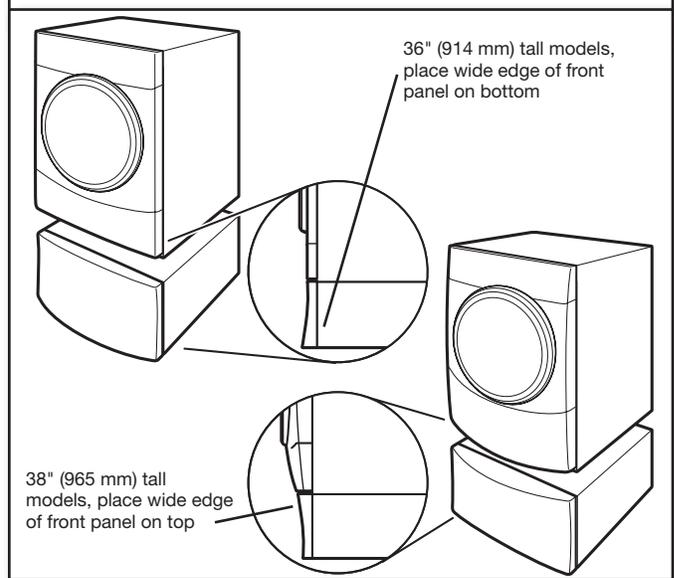
11. Securely tighten jam nuts



When the washer/dryer is level, use a 9/16" open-end wrench to securely tighten all four jam nuts against the pedestal.

IMPORTANT: The jam nuts must be tightened to avoid vibration.

12. Install pedestal front panel



36" (914 mm) tall models,
place wide edge of front
panel on bottom

38" (965 mm) tall
models, place wide edge
of front panel on top

Align the front panel with the pedestal and snap in place.

NOTE: Follow the "Showroom Display Kit Installation Instructions" if you wish to use the two retainer clips included in the parts bag. Discard the retainer clips if not used.

Before you call for Service

This pedestal must be installed only with the appropriate Whirlpool® or Maytag® front-load washer or dryer. This pedestal must be operated according to the instructions provided with your Whirlpool or Maytag front-load washer or dryer's Owner's manual or Use and Care Guide. Before you call for service, please locate your model and serial number for both the pedestal and the corresponding Whirlpool or Maytag front-load washer or dryer.

For any pedestal purchased for use with a Whirlpool or Maytag front-load washer or dryer, the Whirlpool Corporation Pedestal Warranty applies.

WHIRLPOOL CORPORATION PEDESTAL WARRANTY

ONE-YEAR LIMITED WARRANTY

For one year from the date of purchase, when this appliance is operated and maintained according to instructions attached to or furnished with the product and is used with the appropriate Whirlpool Corporation front-load washer or dryer, Whirlpool or Whirlpool Canada (hereafter "Whirlpool") will pay for factory specified replacement parts and repair labor to correct defects in materials or workmanship. Service must be provided by a Whirlpool designated service company.

ITEMS WHIRLPOOL WILL NOT PAY FOR

1. Service calls to correct the installation of your appliance, to instruct you how to use your appliance, to replace or repair house fuses or to correct house wiring or plumbing.
2. Repairs when your appliance is used for other than normal, single-family household use.
3. Damage resulting from accident, alteration, misuse, abuse, fire, flood, acts of God, improper installation, installation not in accordance with electrical or plumbing codes, or use of products not approved by Whirlpool.
4. Replacement parts or repair labor costs for units operated outside the United States or Canada.
5. Pickup and delivery. This appliance is designed to be repaired in the home.
6. Repairs to parts or systems resulting from unauthorized modifications made to the appliance.
7. Expenses for travel and transportation for product service in remote locations.
8. The removal and reinstallation of your appliance if it is installed in an inaccessible location or is not installed in accordance with published installation instructions.

DISCLAIMER OF IMPLIED WARRANTIES; LIMITATION OF REMEDIES

DISCLAIMER OF IMPLIED WARRANTIES; LIMITATION OF REMEDIES
CUSTOMER'S SOLE AND EXCLUSIVE REMEDY UNDER THIS LIMITED WARRANTY SHALL BE PRODUCT REPAIR AS PROVIDED HEREIN. IMPLIED WARRANTIES, INCLUDING WARRANTIES OF MERCHANTABILITY OR FITNESS FOR A PARTICULAR PURPOSE, ARE LIMITED TO ONE YEAR OR THE SHORTEST PERIOD ALLOWED BY LAW. WHIRLPOOL SHALL NOT BE LIABLE FOR INCIDENTAL OR CONSEQUENTIAL DAMAGES. SOME STATES AND PROVINCES DO NOT ALLOW THE EXCLUSION OR LIMITATION OF INCIDENTAL OR CONSEQUENTIAL DAMAGES, OR LIMITATIONS ON THE DURATION OF IMPLIED WARRANTIES OF MERCHANTABILITY OR FITNESS, SO THESE EXCLUSIONS OR LIMITATIONS MAY NOT APPLY TO YOU. THIS WARRANTY GIVES YOU SPECIFIC LEGAL RIGHTS AND YOU MAY ALSO HAVE OTHER RIGHTS, WHICH VARY FROM STATE TO STATE OR PROVINCE TO PROVINCE.

Outside the 50 United States and Canada, this warranty does not apply. Contact your authorized Whirlpool dealer to determine if another warranty applies. If you need service, in the U.S.A., call 1-800-422-1230. In Canada, call 1-800-807-6777.

4/06

Keep this book and your sales slip together for future reference. You must provide proof of purchase or installation date for in-warranty service.

Write down the following information about your major appliance to better help you obtain assistance or service if you ever need it. You will need to know your complete model number and serial number. You can find this information on the model and serial number label located on the product.

Dealer name _____
Address _____
Phone number _____
Model number _____
Serial number _____
Purchase date _____

SÉCURITÉ DU PIÉDESTAL

Votre sécurité et celle des autres est très importante.

Nous donnons de nombreux messages de sécurité importants dans ce manuel et sur votre appareil ménager. Assurez-vous de toujours lire tous les messages de sécurité et de vous y conformer.



Voici le symbole d'alerte de sécurité.

Ce symbole d'alerte de sécurité vous signale les dangers potentiels de décès et de blessures graves à vous et à d'autres.

Tous les messages de sécurité suivront le symbole d'alerte de sécurité et le mot "DANGER" ou "AVERTISSEMENT". Ces mots signifient :

⚠ DANGER

Risque possible de décès ou de blessure grave si vous ne suivez pas immédiatement les instructions.

⚠ AVERTISSEMENT

Risque possible de décès ou de blessure grave si vous ne suivez pas les instructions.

Tous les messages de sécurité vous diront quel est le danger potentiel et vous disent comment réduire le risque de blessure et ce qui peut se produire en cas de non-respect des instructions.

EXIGENCES D'INSTALLATION

EXIGENCES D'EMPLACEMENT

⚠ AVERTISSEMENT



Risque d'explosion

Garder les matières et les vapeurs inflammables, telle que l'essence, loin de la sècheuse.

Placer la sècheuse au moins 460 mm (18 po) au-dessus du plancher pour une installation dans un garage.

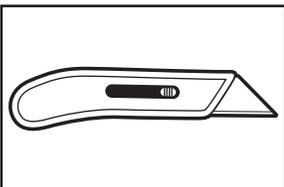
Le non-respect de ces instructions peut causer un décès, une explosion ou un incendie.

REMARQUE : Si l'ensemble de laveuse/sècheuse et du piédestal se trouve dans un garage, il faut ajouter 8" (203 mm) en dessous du piédestal pour que l'ensemble de laveuse/sècheuse soit à 18" (458 mm) au-dessus du plancher du garage.

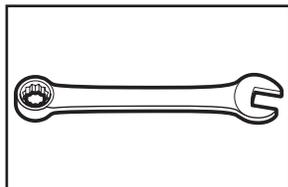
OUTILLAGE ET PIÈCES

Rassembler les outils et pièces nécessaires avant de commencer l'installation.

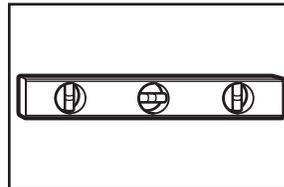
Outillage nécessaire :



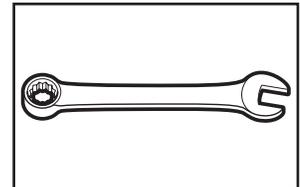
Couteau utilitaire



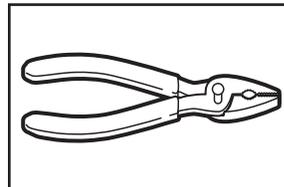
Clé à cliquet à tête hexagonale de 1/4" ou clé plate



Niveau



Clé plate 9/16"

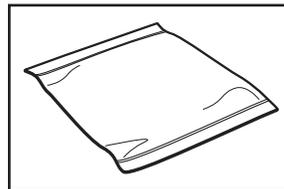


Pince ou pince articulée

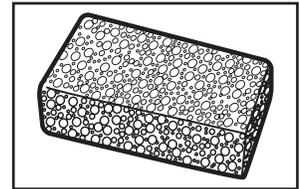


Seau

Autres articles nécessaires :

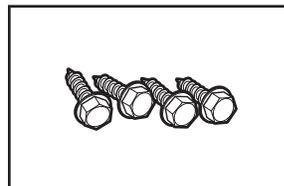


Serviette

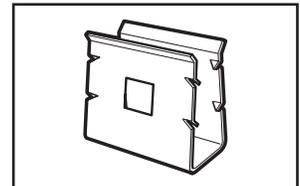


Éponge

Pièces fournies :



Quatre vis de tôle n° 12 x 5/8" à tête hexagonale (sachet de pièces)



Deux attaches de retenue (sachet de pièces)

INSTRUCTIONS D'INSTALLATION

AVANT L'INSTALLATION DU PIÉDESTAL

IMPORTANT : Si l'ensemble de laveuse et sècheuse est déjà installé, on doit le désinstaller.

Désinstallation de la laveuse

Afin d'éviter d'endommager la laveuse, les boulons de transport à l'arrière de l'appareil doivent être en place avant l'installation du piédestal. Pour plus d'informations concernant les boulons de transport, voir "Élimination des accessoires de transport" dans le Guide d'utilisation et d'entretien de la laveuse.

AVERTISSEMENT

Risque du poids excessif

Utiliser deux ou plus de personnes pour déplacer et désinstaller la laveuse.

Le non-respect de cette instruction peut causer une blessure au dos ou d'autre blessure.

REMARQUE : Si la laveuse doit être transportée, appeler le centre de service local. Afin d'éviter tout endommagement de la suspension et de la structure, votre laveuse doit d'abord être correctement installée pour être ensuite réinstallée par un technicien certifié.

1. Fermer les robinets d'arrivée d'eau chaude et d'eau froide.
2. Débrancher le cordon d'alimentation électrique.
3. Desserrer doucement les tuyaux d'alimentation sur les robinets pour libérer la pression de l'eau. Utiliser une éponge ou une serviette pour absorber l'eau libérée.
4. Déconnecter les tuyaux d'arrivée d'eau chaude et d'eau froide portant les mentions "HOT" (chaud) et "COLD" (froid) de l'arrière de la laveuse. Laisser l'eau dans les tuyaux s'écouler dans un seau.
5. Enlever le tuyau de vidange du tuyau de rejet à l'égout ou de l'évier de buanderie et vidanger l'eau qui reste dans un seau.
6. Écarter la laveuse du mur pour pouvoir la faire basculer et la faire reposer sur la face arrière.
7. Pour éviter d'endommager le plancher et pour faciliter l'installation et la manipulation, aplatir la boîte vide du piédestal et la placer à proximité de la laveuse. Coucher la laveuse sur sa partie arrière (s'assurer que le cordon d'alimentation ne se trouve pas sous la laveuse) de manière à ce que le carton se trouve sous la totalité de l'arête inférieure arrière de la laveuse.
8. Une petite quantité d'eau supplémentaire peut s'écouler de la laveuse lorsqu'elle est en appui sur la face arrière. Consulter la section "Installation du piédestal".

Désinstallation de la sècheuse électrique

AVERTISSEMENT

Risque du poids excessif

Utiliser deux ou plus de personnes pour déplacer et désinstaller la sècheuse.

Le non-respect de cette instruction peut causer une blessure au dos ou d'autre blessure.

1. Débrancher le cordon d'alimentation électrique.
2. Écarter la sècheuse du mur suffisamment pour pouvoir desserrer la bride du conduit d'évacuation. Desserrer la bride et retirer doucement le conduit d'évacuation de la bouche de décharge de la sècheuse.
3. Écarter la sècheuse du mur pour pouvoir la faire basculer et la faire reposer sur la face arrière.
4. Pour éviter d'endommager le plancher et pour faciliter l'installation et la manipulation, aplatir la boîte vide du piédestal et la placer à proximité de la laveuse. Coucher la sècheuse sur sa partie arrière (s'assurer que le cordon d'alimentation ne se trouve pas sous la laveuse) de manière à ce que le carton se trouve sous la totalité de l'arête inférieure arrière de la sècheuse. Consulter la section "Installation du piédestal".

Désinstallation de la sècheuse à gaz

AVERTISSEMENT

Risque du poids excessif

Utiliser deux ou plus de personnes pour déplacer et désinstaller la sècheuse.

Le non-respect de cette instruction peut causer une blessure au dos ou d'autre blessure.

1. Débrancher le cordon d'alimentation électrique.
2. Fermer l'arrivée de gaz.
3. Écarter la sècheuse du mur suffisamment pour pouvoir desserrer la bride du conduit d'évacuation. Desserrer la bride et retirer doucement le conduit d'évacuation de la bouche de décharge de la sècheuse.
4. Déconnecter le conduit flexible de la canalisation de gaz de la sècheuse. Obturer avec du ruban adhésif l'ouverture de chaque raccord de la canalisation de gaz.
5. Écarter la sècheuse du mur pour pouvoir la faire basculer et la faire reposer sur la face arrière.
6. Pour éviter d'endommager le plancher et pour faciliter l'installation et la manipulation, aplatir la boîte vide du piédestal et la placer à proximité de la sècheuse. Coucher la sècheuse sur sa partie arrière (s'assurer que le cordon d'alimentation ne se trouve pas sous la sècheuse) de manière à ce que le carton se trouve sous la totalité de l'arête inférieure arrière de la sècheuse. Consulter la section "Installation du piédestal".

⚠ AVERTISSEMENT

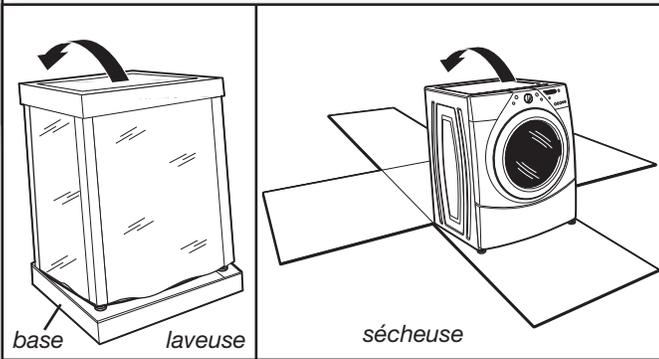
Risque du poids excessif

Utiliser deux ou plus de personnes pour déplacer et installer la laveuse/sécheuse.

Le non-respect de cette instruction peut causer une blessure au dos ou d'autre blessure.

La laveuse/sécheuse est encore dans son emballage :

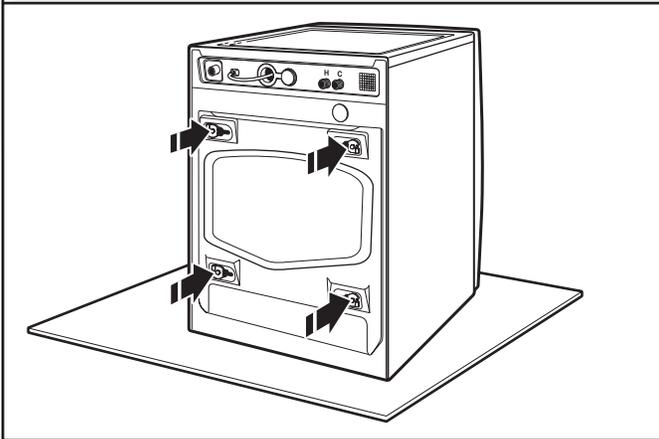
1. Déballez la laveuse/sécheuse



Laveuse : Découper la pellicule de plastique le long de la ligne de pointillés autour de la base. Ne pas enlever l'emballage.

Sécheuse : Découper le carton le long du dessus jusqu'aux coins inférieurs le long de la ligne de pointillés. Disposer les 4 côtés du carton sur le sol. Jeter le dessus du carton et les coins de protection.

2. Boulons de transport de la laveuse



Repérer les boulons de transport à l'arrière de la laveuse. Les boulons de transport doivent rester dans la laveuse pendant l'installation du piedestal. Lorsqu'on couche la laveuse sur le dos, maintenir l'embout inférieur sur le sol. Ne pas enlever la pellicule de plastique, les coins protecteurs, ni l'embout supérieur.

⚠ AVERTISSEMENT

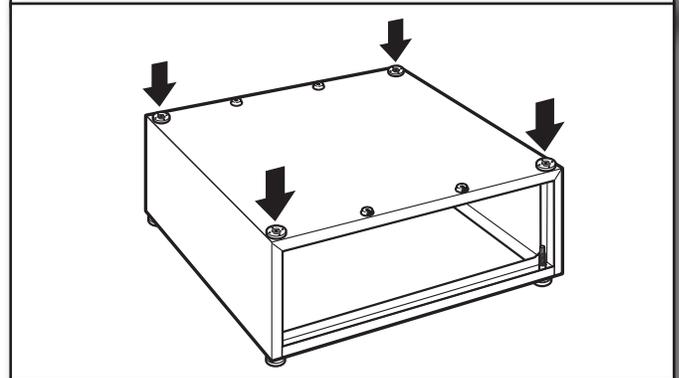
Risque du poids excessif

Utiliser deux ou plus de personnes pour déplacer et installer le piedestal.

Le non-respect de cette instruction peut causer une blessure au dos ou d'autre blessure.

Pour l'installation du piedestal sur une laveuse ou une sécheuse, suivre les instructions qui suivent.

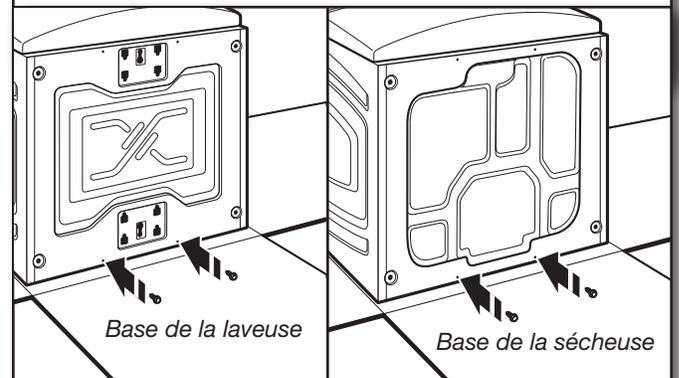
1. Identifier les cales d'espacement



Veiller à placer les quatre cales d'espacement au sommet du piedestal. Les cales d'espacement réduisent les vibrations entre le piedestal et la laveuse/sécheuse.

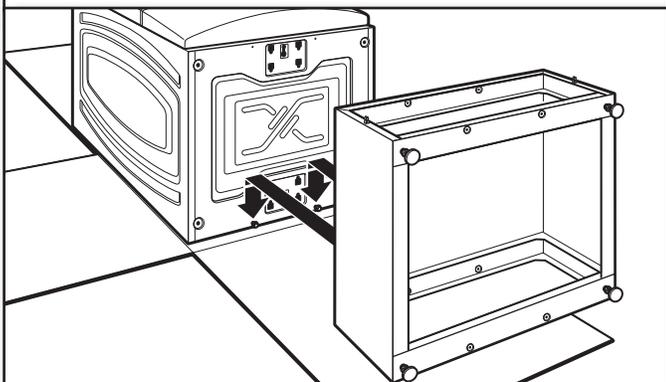
REMARQUE : Si des pieds sont installés sur la laveuse/sécheuse, les enlever.

2. Préparer l'ensemble de laveuse/sécheuse



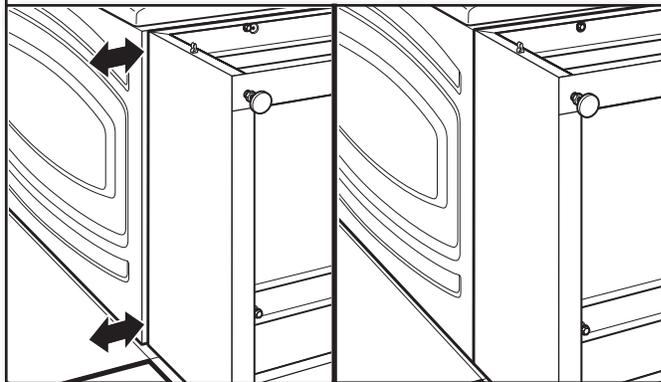
Insérer partiellement les deux vis de tôlerie à tête hexagonale n° 12 x 5/8" dans les trous inférieurs et laisser un espace d'environ 3/8" (10 mm) entre la tête de vis et le fond de la laveuse/sécheuse.

3. Rapprocher le piédestal



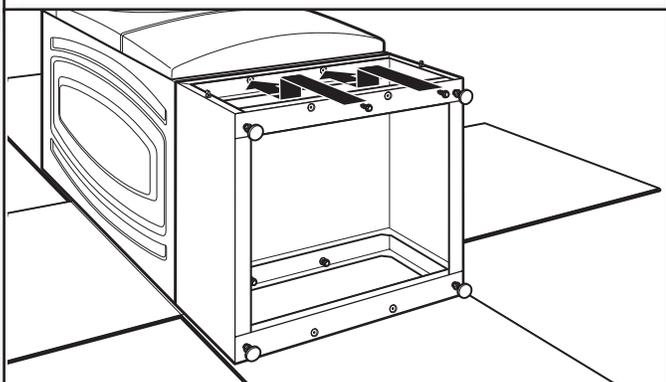
Placer le piédestal en contact avec la base de la laveuse/sécheuse. Engager les ouvertures en trou de serrure du piédestal sur les deux vis inférieures partiellement enfoncées.

5. Aligner les bords du piédestal



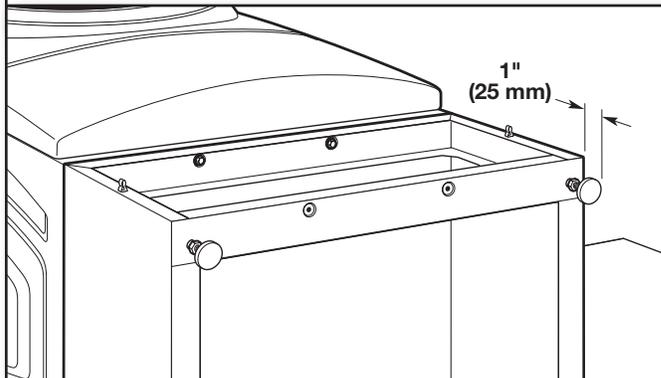
Aligner les bords du piédestal pour qu'ils soient en affleurement avec les bords de la laveuse/sécheuse. Bien serrer les quatre vis du piédestal (introduire le bras dans l'ouverture de passage du tiroir).

4. Fixer le piédestal



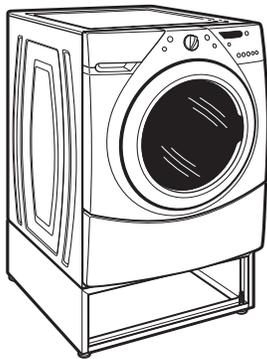
Positionner le piédestal vers l'avant de la laveuse/sécheuse et installer les deux autres vis de tôlerie à tête hexagonale. Ne pas visser complètement.

6. Préparer les pieds du piédestal



Le piédestal est fourni avec les pieds serrés contre la base de l'unité. À l'aide d'une clé à tête hexagonale de 1/4", ou d'une clé à molette, abaisser le pied d'environ 1" (25 mm) de la base du piédestal.

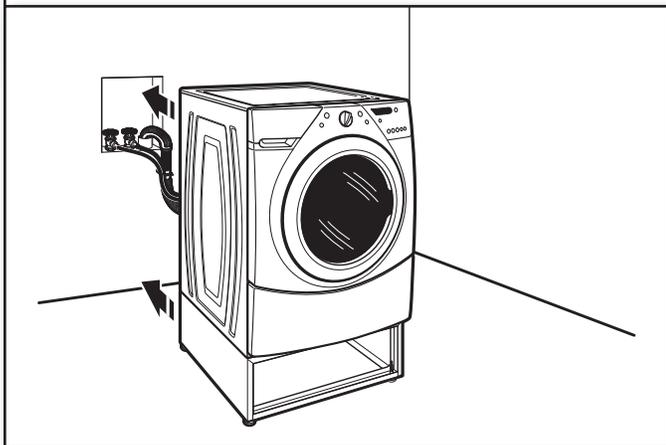
7. Relever verticalement la laveuse/sécheuse



Redresser la laveuse/sécheuse. Retirer et jeter tous les matériaux d'emballage restants.

ACHEVER L'INSTALLATION

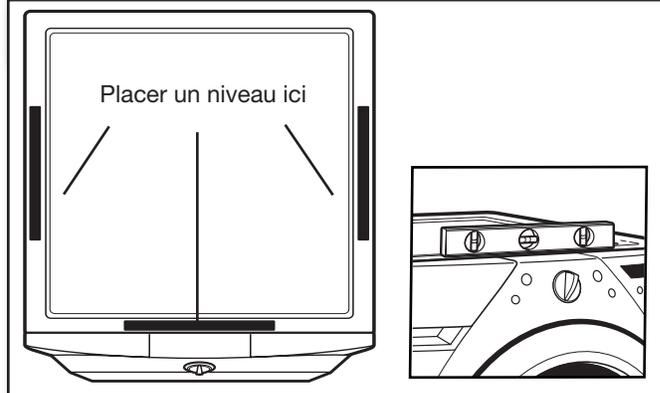
8. Placer près de l'emplacement final



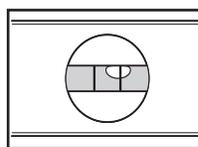
Exécuter les instructions d'installation fournies avec l'appareil pour terminer l'installation ou la réinstallation de la laveuse ou de la sécheuse (tuyaux d'eau, événements, etc.).

REMARQUE : Veiller à retirer les boulons de transport de l'arrière de la laveuse.

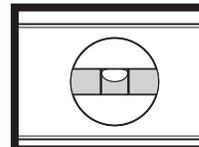
9. Vérifier l'aplomb de la laveuse/sécheuse



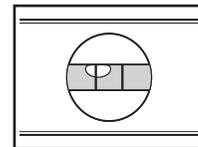
Placer un niveau aux bords supérieurs de la laveuse/sécheuse, en vérifiant chaque côté et le l'avant. Faire basculer l'appareil d'arrière en avant pour s'assurer que les quatre pieds sont fermement en contact avec le sol.



Non d'aplomb



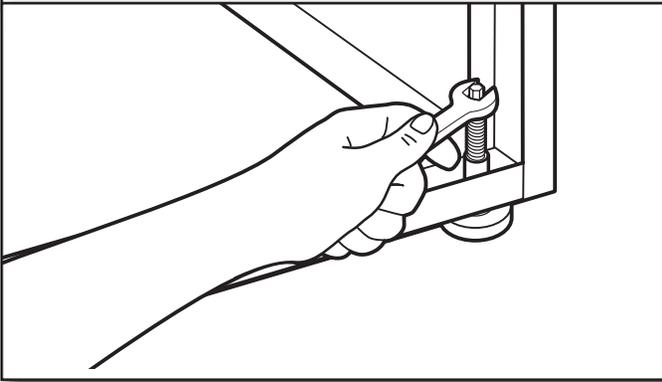
D'APLOMB



Non d'aplomb

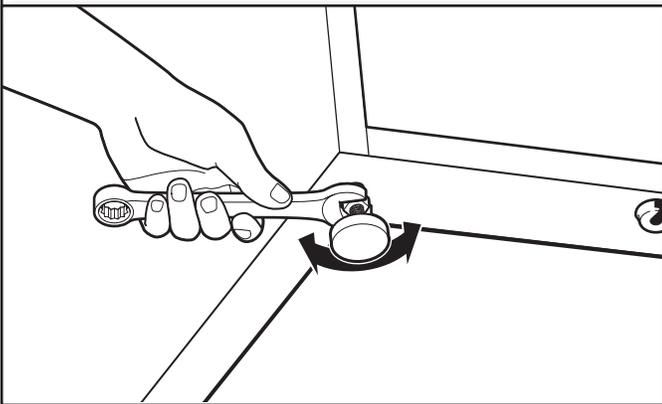
Si non d'aplomb, ajuster les pieds du piédestal vers le haut ou le bas en répétant au besoin.

10. Ajuster les pieds du piédestal



Localiser les vis à tête hexagonale de 1/4" au-dessus de chaque pied du piédestal. Pour mettre la laveuse/sécheuse d'aplomb, passer le bras à l'intérieur du piédestal et utiliser un cliquet à tête hexagonale ou une clé plate de 1/4" pour abaisser ou rehausser les pieds selon le besoin.

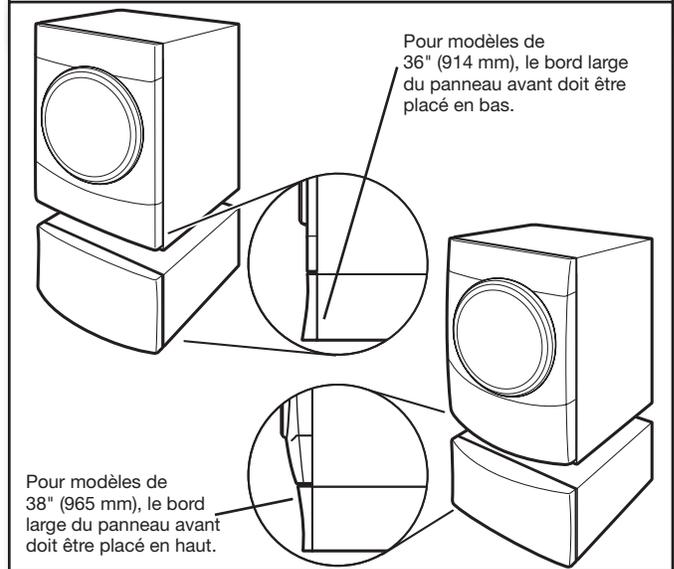
11. Bien serrer les contre-écrous



Une fois la laveuse ou la sécheuse d'aplomb et les quatre pieds sont bien en contact avec le plancher, utiliser une clé plate de 9/16" pour fixer solidement les quatre contre-écrous contre le piédestal.

IMPORTANT : Les contre-écrous doivent être serrés pour éviter les vibrations.

12. Installer le panneau avant du piédestal



Pour modèles de 36" (914 mm), le bord large du panneau avant doit être placé en bas.

Pour modèles de 38" (965 mm), le bord large du panneau avant doit être placé en haut.

Aligner le panneau avant avec le piédestal et emboîter l'ensemble.

REMARQUE : Suivre les "Instructions d'installation de la trousse d'étalage en magasin" si vous désirez utiliser les deux attaches de retenue incluses dans le sachet de pièces. Jeter les attaches de retenue si elles ne sont pas utilisées.

Avant de faire un appel de service

Ce piédestal doit être installé seulement avec la laveuse ou sècheuse à chargement frontal appropriée de marque Whirlpool® ou Maytag®. Ce piédestal doit être utilisé conformément aux instructions du Manuel du propriétaire ou du Guide d'utilisation et d'entretien de votre laveuse ou sècheuse à chargement frontal de marque Whirlpool ou Maytag. Avant de faire un appel de service, veuillez repérer les numéros de modèle et de série pour le piédestal et la laveuse ou sècheuse correspondante à chargement frontal de marque Whirlpool ou Maytag.

Pour tout piédestal acheté pour utilisation avec une laveuse ou sècheuse à chargement frontal de marque Whirlpool ou Maytag, c'est la garantie du piédestal Whirlpool Corporation qui s'applique.

GARANTIE DU PIÉDESTAL WHIRLPOOL CORPORATION

GARANTIE LIMITÉE DE UN AN

Pendant un an à compter de la date d'achat, lorsque cet appareil ménager est utilisé et entretenu conformément aux instructions jointes à ou fournies avec le produit et utilisé avec la laveuse ou sècheuse à chargement frontal Whirlpool Corporation appropriée, Whirlpool ou Whirlpool Canada (ci-après désignées "Whirlpool") paiera pour les pièces de rechange spécifiées par l'usine et la main-d'œuvre pour corriger les vices de matériaux ou de fabrication. Le service doit être fourni par une compagnie de service désignée par Whirlpool.

WHIRLPOOL NE PRENDRA PAS EN CHARGE

1. Les visites de service pour rectifier l'installation de l'appareil, montrer à l'utilisateur comment utiliser l'appareil, remplacer ou réparer des fusibles ou rectifier le câblage ou la plomberie du domicile.
2. Les réparations lorsque l'appareil est utilisé à des fins autres que l'usage unifamilial normal.
3. Les dommages imputables à : accident, modification, usage impropre ou abusif, incendie, inondation, actes de Dieu, installation fautive ou installation non conforme aux codes d'électricité ou de plomberie, ou l'utilisation de produits non approuvés par Whirlpool.
4. Le coût des pièces de rechange et de la main-d'œuvre pour les appareils utilisés hors des États-Unis ou du Canada.
5. Le ramassage et la livraison. Cet appareil est conçu pour être réparé à domicile.
6. Les réparations aux pièces ou systèmes résultant d'une modification non autorisée faite à l'appareil.
7. Les frais de voyage et de transport pour le service d'un produit dans les régions éloignées.
8. La dépose et la réinstallation de votre appareil si celui-ci est installé dans un endroit inaccessible ou n'est pas installé conformément aux instructions d'installation fournies.

CLAUSE D'EXONÉRATION DE RESPONSABILITÉ AU TITRE DES GARANTIES IMPLICITES; LIMITATION DES RECOURS

CLAUSE D'EXONÉRATION DE RESPONSABILITÉ AU TITRE DES GARANTIES IMPLICITES; LIMITATION DES RECOURS
LE SEUL ET EXCLUSIF RECOURS DU CLIENT DANS LE CADRE DE LA PRÉSENTE GARANTIE LIMITÉE CONSISTE EN LA RÉPARATION PRÉVUE CI-DESSUS. LES GARANTIES IMPLICITES, Y COMPRIS LES GARANTIES APPLICABLES DE QUALITÉ MARCHANDE ET D'APTITUDE À UN USAGE PARTICULIER, SONT LIMITÉES À UN AN OU À LA PLUS COURTE PÉRIODE AUTORISÉE PAR LA LOI. WHIRLPOOL N'ASSUME AUCUNE RESPONSABILITÉ POUR LES DOMMAGES FORTUITS OU INDIRECTS. CERTAINES JURIDICTIONS NE PERMETTENT PAS L'EXCLUSION OU LA LIMITATION DES DOMMAGES FORTUITS OU INDIRECTS, OU LES LIMITATIONS DE LA DURÉE DES GARANTIES IMPLICITES DE QUALITÉ MARCHANDE OU D'APTITUDE À UN USAGE PARTICULIER, DE SORTE QUE CES EXCLUSIONS OU LIMITATIONS PEUVENT NE PAS S'APPLIQUER DANS VOTRE CAS. CETTE GARANTIE VOUS CONFÈRE DES DROITS JURIDIQUES SPÉCIFIQUES ET VOUS POUVEZ ÉGALEMENT JOUIR D'AUTRES DROITS QUI PEUVENT VARIER D'UNE JURIDICTION À UNE AUTRE.

À l'extérieur du Canada et des 50 États des États-Unis, cette garantie ne s'applique pas. Contacter votre marchand Whirlpool autorisé pour déterminer si une autre garantie s'applique. Pour le service aux États-Unis, composer le 1-800-422-1230.

Au Canada, composer le 1-800-807-6777.

4/06

Conservez ce manuel et votre reçu de vente pour référence ultérieure. Pour l'entretien sous garantie, vous devez présenter un document prouvant la date d'achat ou d'installation.

Inscrivez les renseignements suivants au sujet de votre gros appareil ménager pour mieux vous aider à obtenir assistance ou réparation en cas de besoin. Vous devrez connaître le numéro de modèle et le numéro de série au complet. Vous trouverez ces renseignements sur la plaque signalétique située sur le produit.

Nom du marchand _____

Adresse _____

Numéro de téléphone _____

Numéro de modèle _____

Numéro de série _____

Date d'achat _____

GARANTIE DES APPAREILS DE BUANDERIE

Avant de faire un appel de service

Si cet appareil de buanderie a été acheté chez Sears, la "Garantie des appareils de buanderie Kenmore" s'applique (voir les dispositions qui suivent).

Si cet appareil de buanderie a été acheté ailleurs, la "Garantie des appareils de buanderie Whirlpool Corporation" s'applique (voir les dispositions qui suivent). Veuillez avoir votre reçu de vente à disposition lorsque vous appelez Whirlpool Corporation pour un service dans le cadre de la "Garantie des appareils de buanderie Whirlpool Corporation".

GARANTIE DES APPAREILS DE BUANDERIE KENMORE®

GARANTIE LIMITÉE DE UN AN

Lorsqu'il est installé, utilisé et entretenu conformément à toutes les instructions fournies avec le produit, si cet appareil de buanderie fait défaut par suite d'un vice de matériau ou de fabrication au cours de l'année qui suit la date d'achat, composer le 1-800-4-MY-HOME pour obtenir une réparation gratuite. Si l'appareil de buanderie fonctionne à toute autre fin que l'utilisation familiale privée, la présente garantie ne s'appliquera que pendant 90 jours à partir de la date d'achat.

LA PRÉSENTE GARANTIE COUVRE UNIQUEMENT LES VICES DE MATÉRIAUX ET DE FABRICATION. SEARS NE PRENDRA PAS EN CHARGE :

1. Les pièces courantes qui peuvent s'user suite à une utilisation normale, notamment les filtres, courroies, ampoules et sacs.
2. L'intervention d'un technicien pour montrer à l'utilisateur comment installer, utiliser et entretenir correctement le produit.
3. L'intervention d'un technicien pour nettoyer ou entretenir ce produit.
4. L'endommagement ou les défauts du produit si celui-ci n'est pas installé, utilisé ou entretenu conformément à toutes les instructions fournies avec le produit.
5. L'endommagement ou les défauts du produit résultant d'accident, usage impropre ou abusif ou utilisation autre que pour laquelle il est destiné.
6. L'endommagement ou les défauts du produit causés par l'utilisation de détergents, agents de nettoyage, produits chimiques ou ustensiles autres que ceux recommandés dans toutes les instructions fournies avec le produit.
7. L'endommagement ou les défauts des pièces ou systèmes résultant d'une modification non autorisée faite au produit.

CLAUSE D'EXONÉRATION DE RESPONSABILITÉ AU TITRE DES GARANTIES IMPLICITES; LIMITATION DES RECOURS

Le seul et exclusif recours du client dans le cadre de la présente garantie limitée consiste en la réparation prévue ci-dessus. Les garanties implicites, y compris les garanties applicables de qualité marchande et d'aptitude à un usage particulier, sont limitées à un an ou à la plus courte période autorisée par la loi. Sears n'assume aucune responsabilité pour les dommages fortuits ou indirects. Certains États ou certaines provinces ne permettent pas l'exclusion ou la limitation des dommages fortuits ou indirects, ou la limitation de la durée des garanties implicites de qualité marchande ou d'aptitude à un usage particulier, de sorte que cette exclusion ou limitation peut ne pas être applicable dans votre cas.

Cette garantie s'applique seulement lorsque cet appareil de buanderie est utilisé aux États-Unis et au Canada.

Cette garantie vous confère des droits juridiques spécifiques et vous pouvez également jouir d'autres droits qui peuvent varier d'un État à l'autre.

**Sears, Roebuck and Co.
Hoffman Estates, IL 60179**

**Sears Canada Inc.
Toronto, Ontario, Canada M5B 2B8**

ENREGISTREMENT DU PRODUIT

Dans l'espace ci-dessous, inscrire les numéros de modèle et de série complets et la date d'achat. Vous trouverez ces renseignements sur la plaque signalétique située sur le produit.

Gardez ces renseignements à disposition pour obtenir plus rapidement assistance ou service lorsque vous communiquez avec Sears au sujet de votre appareil de buanderie.

Numéro de modèle _____

Numéro de série _____

Date d'achat _____

Conservez ces instructions et votre reçu de vente pour référence ultérieure.

**W10178072B
W10348604B-SP**

© 2010 Whirlpool Corporation.
All rights reserved
Tous droits réservés

KENMORE, KENMORE ELITE, are trademarks of Sears, Roebuck and Co.

® Registered Trademark/TM Trademark of Whirlpool, U.S.A.,
Whirlpool Canada LP Licensee in Canada

KENMORE, KENMORE ELITE, sont des marques de commerce de Sears, Roebuck and Co.

® Marque déposée/TM Marque de commerce de Whirlpool, U.S.A.,
emploi sous licence par Whirlpool Canada LP au Canada

12/10
Printed in U.S.A.
Imprimé aux É.-U.