

FREESTANDING GAS RANGE OWNER'S MANUAL

CUISINIÈRE À GAZ AUTOPORTANTE MANUEL DU PROPRIÉTAIRE

Table of Contents/Table des matières

RANGE SAFETY	2	SÉCURITÉ DE LA CUISINIÈRE	26
Range Safety.....	2	Sécurité de la cuisinière.....	26
RANGE MAINTENANCE AND CARE	6	ENTRETIEN ET RÉPARATION DE LA CUISINIÈRE	30
General Cleaning.....	6	Nettoyage général.....	30
Clean Cycle.....	7	Programme de nettoyage.....	31
INSTALLATION INSTRUCTIONS	8	INSTRUCTIONS D'INSTALLATION	32
REQUIREMENTS	8	EXIGENCE	32
Tools and Parts.....	8	Outils et pièces.....	32
Location Requirements.....	8	Exigences d'emplacement.....	33
Electrical Requirements.....	9	Spécifications électriques.....	34
Gas Supply Requirements.....	10	Spécifications de l'alimentation en gaz.....	34
INSTALLATION	11	INSTALLATION	35
Unpack Range.....	11	Déballage de la cuisinière.....	35
Install Anti-Tip Bracket.....	12	Installation de la bride antibasculement.....	36
Make Gas Connection.....	13	Raccordement au gaz.....	37
Verify Anti-Tip Bracket Is Installed and Engaged.....	14	Vérifier que la bride antibasculement est bien installée et engagée.....	39
Level Range.....	15	Réglage de l'aplomb de la cuisinière.....	40
Electronic Ignition System.....	16	Système d'allumage électronique.....	40
Warming Drawer or Premium Storage Drawer (on some models).....	17	Tiroir-réchaud ou tiroir de remisage de qualité supérieure (sur certains modèles).....	42
Storage Drawer (on some models).....	18	Tiroir de remisage (sur certains modèles).....	43
Oven Door.....	18	Porte du four.....	43
Complete Installation.....	18	Achever l'installation.....	44
GAS CONVERSIONS	19	CONVERSIONS POUR CHANGEMENT DE GAZ	44
Propane Gas Conversion.....	19	Conversion pour l'alimentation au propane.....	45
Natural Gas Conversion.....	22	Conversion pour l'alimentation au gaz naturel.....	48
Moving the Range.....	25	Déplacement de la cuisinière.....	51

IMPORTANT:

Installer: Leave installation instructions with the homeowner.

Homeowner: Keep installation instructions for future reference.

IMPORTANT :

Installateur : Remettre les instructions d'installation au propriétaire

Propriétaire : Conserver les instructions d'installation pour référence ultérieure.

RANGE SAFETY

WARNING: If the information in these instructions is not followed exactly, a fire or explosion may result causing property damage, personal injury or death.

- Do not store gasoline or other flammable vapors and liquids in the vicinity of this or any other appliance.
- **WHAT TO DO IF YOU SMELL GAS**
 - Do not try to light any appliance.
 - Do not touch any electrical switch.
 - Do not use any phone in your building.
 - Immediately call your gas supplier from a neighbor's phone. Follow the gas suppliers instructions.
 - If you cannot reach your gas supplier, call the fire department.
- Installation and service must be performed by a qualified installer, service agency or the gas supplier.

⚠ WARNING:

Never Operate the Top Surface Cooking Section of this Appliance Unattended

- Failure to follow this warning statement could result in fire, explosion, or burn hazard that could cause property damage, personal injury, or death.
- If a fire should occur, keep away from the appliance and immediately call your fire department.

DO NOT ATTEMPT TO EXTINGUISH AN OIL/GREASE FIRE WITH WATER.

The range will not tip during normal use. However, the range can tip if you apply too much force or weight to the open door without the anti-tip bracket fastened down properly.



⚠ WARNING

Tip Over Hazard

A child or adult can tip the range and be killed.

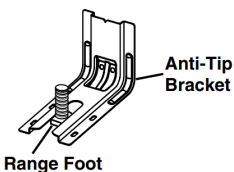
Install anti-tip bracket to floor or wall per installation instructions.

Slide range back so rear range foot is engaged in the slot of the anti-tip bracket.

Re-engage anti-tip bracket if range is moved.

Do not operate range without anti-tip bracket installed and engaged.

Failure to follow these instructions can result in death or serious burns to children and adults.



To verify the anti-tip bracket is properly installed and engaged:

- Slide range forward.
- Look for the anti-tip bracket securely attached to floor or wall.
- Slide range back so rear range foot is under the anti-tip bracket.
- See Installation Instructions for details.

WARNING: Gas leaks cannot always be detected by smell.

Gas suppliers recommend that you use a gas detector approved by UL or CSA.

For more information, contact your gas supplier.

If a gas leak is detected, follow the “What to do if you smell gas” instructions.

Your safety and the safety of others are very important.

We have provided many important safety messages in this manual and on your appliance. Always read and obey all safety messages.



This is the safety alert symbol.

This symbol alerts you to potential hazards that can kill or hurt you and others.

All safety messages will follow the safety alert symbol and either the word “DANGER” or “WARNING.” These words mean:

▲ DANGER

You can be killed or seriously injured if you don't immediately follow instructions.

▲ WARNING

You can be killed or seriously injured if you don't follow instructions.

All safety messages will tell you what the potential hazard is, tell you how to reduce the chance of injury, and tell you what can happen if the instructions are not followed.

IMPORTANT: Do not install a ventilation system that blows air downward toward this gas cooking appliance. This type of ventilation system may cause ignition and combustion problems with this gas cooking appliance resulting in personal injury or unintended operation.

In the State of Massachusetts, the following installation instructions apply:

- Installation and repairs must be performed by a qualified or licensed contractor, plumber, or gas fitter qualified or licensed by the State of Massachusetts.
- Acceptable Shut-off Devices: Gas Cocks and Ball Valves installed for use shall be listed.
- A flexible gas connector, when used, must not exceed 4 feet (121.9 cm).

IMPORTANT SAFETY INSTRUCTIONS

WARNING: To reduce the risk of fire, electric shock, or injury to persons when using the appliance, follow basic precautions, including the following:

- **WARNING:** TO REDUCE THE RISK OF TIPPING OF THE RANGE, THE RANGE MUST BE SECURED BY PROPERLY INSTALLED ANTI-TIP DEVICES. TO CHECK IF THE DEVICES ARE INSTALLED PROPERLY, SLIDE RANGE FORWARD, LOOK FOR ANTI-TIP BRACKET SECURELY ATTACHED TO FLOOR OR WALL, AND SLIDE RANGE BACK SO REAR RANGE FOOT IS UNDER ANTI-TIP BRACKET.

WARNING

NEVER use this appliance as a space heater to heat or warm the room. Doing so may result in carbon monoxide poisoning and overheating of the oven.

WARNING

NEVER cover any slots, holes or passages in the oven bottom or cover an entire rack with materials such as aluminum foil. Doing so blocks air flow through the oven and may cause carbon monoxide poisoning. Aluminum foil linings may also trap heat, causing a fire hazard.

- **CAUTION:** Do not store items of interest to children in cabinets above an appliance or on the backguard of an appliance - children climbing on the appliance to reach items could be seriously injured.
- Do Not Leave Children Alone - Children should not be left alone or unattended in area where appliance is in use. They should never be allowed to sit or stand on any part of the appliance.
- Wear Proper Apparel – Loose-fitting or hanging garments should never be worn while using the appliance.
- User Servicing – Do not repair or replace any part of the appliance unless specifically recommended in the manual. All other servicing should be referred to a qualified technician.
- Storage in or on Appliance – Flammable materials should not be stored in an oven or near surface units.
- This appliance is not intended for storage.
- Do Not Use Water on Grease Fires – Smother fire or flame or use dry chemical or foam-type extinguisher.
- Use Only Dry Potholders – Moist or damp potholders on hot surfaces may result in burns from steam. Do not let potholder touch hot surface units. Do not use a towel or other bulky cloth.
- Never Leave Surface Units Unattended at High Heat Settings – Boilover causes smoking and greasy spillovers that may ignite.
- Glazed Cooking Utensils – Only certain types of glass, glass/ceramic, ceramic, earthenware, or other glazed utensils are suitable for range-top service without breaking due to the sudden change in temperature.
- Utensil Handles Should Be Turned Inward and Not Extend Over Adjacent Surface Units – To reduce the risk of burns, ignition of flammable materials, and spillage due to unintentional contact with the utensil, the handle of a utensil should be positioned so that it is turned inward, and does not extend over adjacent surface units.
- Disconnect power before servicing.
- This appliance is equipped with a three-prong grounding plug for your protection against shock hazard and should be plugged directly into a properly grounded receptacle. Do not cut or remove the grounding prong from this plug.
- Proper Installation - The appliance, when installed, must be electrically grounded in accordance with local codes, or in the absence of local codes, with the *National Electrical Code, ANSI/NFPA 70* or the *Canadian Electrical Code, CSA C22.1-02*. In Canada, the appliance must be electrically grounded in accordance with Canadian Electrical Code. Be sure your appliance is properly installed and grounded by a qualified technician.
- Injuries may result from the misuse of appliance doors or drawers such as stepping, leaning, or sitting on the doors or drawers.
- Maintenance – Keep range area clear and free from combustible materials, gasoline, and other flammable vapors and liquids.
- Top burner flame size should be adjusted so it does not extend beyond the edge of the cooking utensil. This instruction is based on safety considerations.
- Do not use replacement parts that have not been recommended by the manufacturer (e.g. parts made at home using a 3D printer).
- Clean Cooktop With Caution – If a wet sponge or cloth is used to wipe spills on a hot cooking area, be careful to avoid steam burn. Some cleaners can produce noxious fumes if applied to a hot surface.
- Use Care When Opening Door – Let hot air or steam escape before removing or replacing food.
- Do Not Heat Unopened Food Containers – Build-up of pressure may cause container to burst and result in injury.
- Keep Oven Vent Ducts Unobstructed.
- DO NOT TOUCH HEATING ELEMENTS OR INTERIOR SURFACES OF OVEN – Heating elements may be hot even though they are dark in color. Interior surfaces of an oven become hot enough to cause burns. During and after use, do not touch, or let clothing or other flammable materials contact heating elements or interior surfaces of oven until they have had sufficient time to cool. Other surfaces of the appliance may become hot enough to cause burns – among these surfaces are oven vent openings and surfaces near these openings, oven doors, and windows of oven doors.

SAVE THESE INSTRUCTIONS

IMPORTANT SAFETY INSTRUCTIONS

- Care must be taken to prevent aluminum foil and meat probes from contacting heating elements.

For self-cleaning ranges –

- Do Not Clean Door Gasket – The door gasket is essential for a good seal. Care should be taken not to rub, damage, or move the gasket.
- Do Not Use Oven Cleaners – No commercial oven cleaner or oven liner protective coating of any kind should be used in or around any part of the oven.
- Clean Only Parts Listed in Manual.
- Before Self-Cleaning the Oven – Remove broiler pan and other utensils. Wipe off all excessive spillage before initiating the cleaning cycle.

For units with ventilating hood –

- Clean Ventilating Hoods Frequently – Grease should not be allowed to accumulate on hood or filter.
- When flaming foods under the hood, turn the fan on.

For smart enabled ranges and ovens

- Remote operation – This appliance is configurable to allow remote operation at any time. Do not store any flammable materials or temperature sensitive items inside, on top or near surface units of the appliance.

SAVE THESE INSTRUCTIONS

RANGE MAINTENANCE AND CARE

General Cleaning

IMPORTANT: Before cleaning, make sure all controls are OFF and the oven and cooktop are cool. Always follow label instructions on cleaning products.

Soap, water, and a soft cloth or sponge are suggested first, unless otherwise noted.

EXTERIOR PORCELAIN ENAMEL SURFACES (on some models)

Food spills containing acids, such as vinegar and tomato, should be cleaned as soon as the entire range is cool. These spills may affect the finish.

Cleaning Method:

- Glass cleaner, mild liquid cleaner, or nonabrasive scrubbing pad: Gently clean around the model/serial/rating plate because scrubbing may remove numbers.
- Affresh®+ Kitchen and Appliance Cleaner Part Number W10355010 (not included):
See the Quick Start Guide for ordering information.

STAINLESS STEEL (on some models)

NOTE: To avoid damage to stainless steel surfaces, do not use soap-filled scouring pads, abrasive cleaners, Cooktop Cleaner, steel-wool pads, gritty washcloths, or abrasive paper towels. Damage may occur to stainless steel surfaces, even with one-time or limited use.

Cleaning Method:

- Rub in direction of grain to avoid damaging.
- Affresh® Stainless Steel Cleaner Part Number W10355016 (not included):
See the Quick Start Guide for ordering information.

METALLIC PAINT (on some models)

Do not use abrasive cleaners, cleaners with bleach, rust removers, ammonia, or sodium hydroxide (lye) because paint surface may stain.

PORCELAIN-COATED GRATES AND CAPS

Food spills containing acids, such as vinegar and tomato, should be cleaned as soon as the cooktop, grates and caps are cool. These spills may affect the finish.

To avoid chipping, do not bang grates, and caps against each other or hard surfaces such as cast iron cookware.

Do not reassemble caps on burners while wet. Do not clean in the Self-Cleaning cycle.

Cleaning Method:

- Nonabrasive plastic scrubbing pad and mildly abrasive cleanser: Clean as soon as cooktop, grates, and caps are cool.
- Dishwasher (grates only, not caps):
Use the most-aggressive cycle. Cooked-on soils should be soaked or scrubbed before going into a dishwasher. Although the burner grates are durable, they may lose their shine and/or discolor when washed in a dishwasher.
- Gas Grate and Drip Pan Cleaner Part Number 31617 (not included):
See the Quick Start Guide for ordering information.

SURFACE BURNERS

Food spills containing acids, such as vinegar and tomato, should be cleaned as soon as the cooktop, grates, and caps are cool. These spills may affect the finish.

To avoid chipping, do not bang grates and caps against each other or hard surfaces such as cast iron cookware.

Do not reassemble caps on burners while wet.

Do not clean in the Self-Cleaning cycle.

Do not clean in dishwasher.

Cleaning Method:

- Nonabrasive plastic scrubbing pad and mildly abrasive cleanser:
Clean as soon as cooktop, grates, burners, and caps are cool.
- Gas Grate and Drip Pan Cleaner (not included).

COOKTOP CONTROLS

To avoid damage to the cooktop controls, do not use steel wool, abrasive cleansers, or oven cleaner.

To avoid damage, do not soak knobs. When replacing knobs, make sure knobs are in the Off position.

On some models, do not remove seals under knobs.

Cleaning Method:

- Soap and water: Pull knobs straight away from control panel to remove

CONTROL PANEL AND OVEN DOOR EXTERIOR

To avoid damage to the control panel, do not use abrasive cleaners, steel-wool pads, gritty washcloths, or abrasive paper towels.

Cleaning Method:

- Glass cleaner and soft cloth or sponge: Apply glass cleaner to soft cloth or sponge, not directly on panel.
- Affresh® Kitchen and Appliance Cleaner Part Number W10355010 (not included):
See the Quick Start Guide for ordering information.

OVEN RACKS

Cleaning Method:

- Steel-wool pad
- For racks that have discolored and are harder to slide, a light coating of vegetable oil applied to the rack guides will help them slide.
- Dishwasher (steam rack water reservoir only, not racks):
Although the water reservoir is durable, it may lose its shine and/or discolor when washed in a dishwasher.

STORAGE/WARMING DRAWER (on some models)

Check that storage/warming drawer is cool and empty before cleaning.

Cleaning Method:

- Mild detergent

OVEN CAVITY

Do not use oven cleaners.

Food spills should be cleaned when oven cools. At high temperatures, foods react with porcelain. Staining, etching, pitting, or faint white spots can result.

Cleaning Method:

- Self-Cleaning cycle: See the "Self-Cleaning Cycle" or "Clean Cycle" section first.

†®Affresh is a registered trademark of Whirlpool, U.S.A.

Clean Cycle

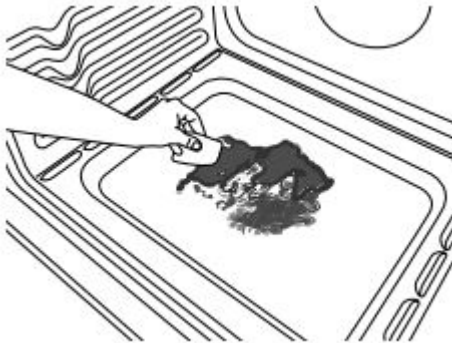


AquaLift® Technology is an innovative cleaning solution that utilizes heat and water to release baked-on spills from the oven in less than 1 hour. This new cleaning technology is a low-heat, odor-free alternative to traditional self-cleaning options.

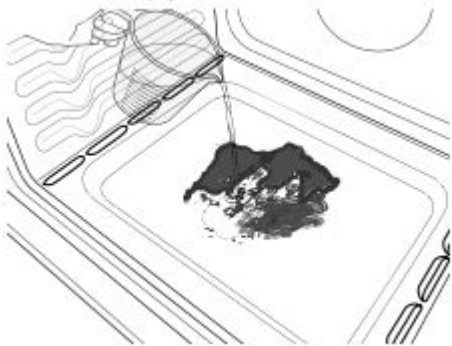
Allow the oven to cool to room temperature before using the Clean cycle. If your oven cavity is above 200°F (93°C), it will appear in the display, and the Clean cycle will not be activated until the oven cavity cools down.

To Clean:

1. Remove all racks and accessories from the oven cavity, and wipe excess soil. Use a plastic scraper to remove easily removed soils



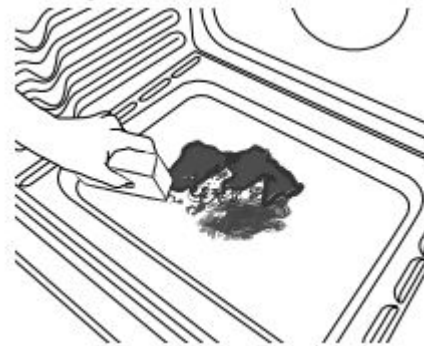
2. Pour 1³/₄ cups (14 oz [414 mL]) of distilled or filtered water onto the bottom of the empty oven, and close the oven door.



IMPORTANT: Do not use chemicals or other additives with the water. Do not open the oven door during the Clean cycle. The water on the oven bottom is hot.

3. Press CLEAN/AQUALIFT SELF CLEAN and then START on the oven control panel.
4. Allow 40 minutes for cleaning and cooldown. A beep will sound when the Clean cycle is complete.
5. Press OFF/CANCEL/CANCEL UPPER at the end of the cycle. Off/Cancel/Cancel Upper may be pressed at any time to stop the Clean cycle.

6. Remove the residual water and loosened soils with a sponge or cloth immediately after the Clean cycle is complete. Much of the initial 1³/₄ cups (14 oz [414 mL]) of water will remain in the oven after the cycle is completed. If additional soils remain, leave a small amount of water in the oven bottom to assist with the cleaning.



7. If any soils remain, remove them with a nonscratch scrubbing sponge or plastic scraper. Additional Clean cycles may be run to help remove the stubborn soils.

IMPORTANT: Do not use oven cleaners. The use of chemicals, including commercial oven cleaners or metal scouring pads, may cause permanent damage to the porcelain surface of the oven interior.

NOTE:

- The range should be level to ensure that the entire surface of the bottom of the oven cavity is covered by water at the beginning of the Clean cycle.
- For best results, use distilled or filtered water. Tap water may leave mineral deposits on the oven bottom.
- Before removing the residual water and loosened soils at the end of the Clean cycle, insert a cloth or paper towel between the lower edge of the oven door and the front frame to keep water from spilling onto the front of the range and the floor.
- Soil baked on through several cooking cycles will be more difficult to remove with the Clean cycle.
- Nonabrasive scrub sponges or eraser-style cleaning pads (without cleaners) can be effective for cleaning the oven cavity walls, oven door, and oven bottom for difficult soils. For best results, moisten the pads and sponges before use.
- Run an additional Clean cycle for stubborn soils
- Affresh® Kitchen Appliance Cleaner and affresh® Cooktop Cleaner may be used to clean the oven bottom, walls, and door when the oven has finished the cycle and returned to room temperature. If affresh® Cooktop Cleaner is used, it is recommended to wipe out the cavity with distilled water as well. Refer to the Quick Start Guide for ordering information.
- Additional AquaLift® Technology Cleaning Kits may be obtained by ordering Part Number W10423113RP. Refer to the Quick Start Guide for ordering information.

INSTALLATION INSTRUCTIONS

REQUIREMENTS

Tools and Parts

Gather the required tools and parts before starting installation. Read and follow the instructions provided with any tools listed here.

Tools Needed

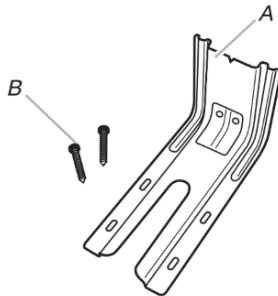
- Tape measure
- Flat-blade screwdriver
- Phillips screwdriver
- 1/8" (3.2 mm) flat-blade screwdriver
- Level
- Hand or electric drill
- Hammer
- Wrench or pliers
- Pipe wrench
- 15/16" combination wrench
- 1/4" drive ratchet
- 3/8" nut driver
- 1/8" drill bit (for wood floors)
- Marker or pencil
- Pipe-joint compound resistant to Propane gas
- Noncorrosive leak-detection solution
- 3/16" (4.8 mm) carbide-tipped masonry drill bit (for concrete/ceramic floors) (For Slide-in/Front Control Ranges)

For Propane/Natural Gas Conversions

- 3/8" combination wrench
- 1/2" combination wrench
- 5/8" combination wrench
- 9/32" nut driver
- Quadrex®+ or Phillips screwdriver
- Masking tape
- 3/8" nut driver (For Slide-in/Front Control Ranges)

Parts Supplied

Check that all parts are included.



- A. Anti-tip bracket
- B. #12 x 1⁵/₈" (4.1 cm) screws (2)

Anti-tip bracket must be securely mounted to floor or wall. Thickness of flooring may require longer screws to anchor bracket to floor.

Parts needed

Check local codes and consult gas supplier. Check existing gas supply and electrical supply. See "Electrical Requirements" and "Gas Supply Requirements" sections.

NOTE: Be sure to purchase only whirlpool factory-certified parts and accessories for your appliance. Your installation may require additional parts. To order, refer to the contact information referenced in your Quick Start Guide.

Location Requirements

IMPORTANT: Observe all governing codes and ordinances. Do not obstruct flow of combustion and ventilation air.

- It is the installer's responsibility to comply with installation clearances specified on the model/serial/rating plate. The model/serial/rating plate is located behind the oven door on the top right/left-hand side of the oven frame.
- The range should be located for convenient use in the kitchen.
- Recessed installations must provide complete enclosure of the sides and rear of the range.
- All openings in the wall or floor where range is to be installed must be sealed.
- Cabinet opening dimensions that are shown must be used. Given dimensions are minimum clearances.
- The anti-tip bracket must be installed. To install the anti-tip bracket shipped with the range, see "Install Anti-Tip Bracket" section.
- Grounded electrical supply is required. See "Electrical Requirements" section.
- Proper gas supply connection must be available. See "Gas Supply Requirements" section.
- Contact a qualified floor covering installer to check that the floor covering can withstand at least 200°F (93°C).
- Use an insulated pad or 1/4" (6.4 mm) plywood under range if installing range over carpeting.

IMPORTANT: To avoid damage to your cabinets, check with your builder or cabinet supplier to make sure that the materials used will not discolor, delaminate or sustain other damage. This oven has been designed in accordance with the requirements of UL and CSA International and complies with the maximum allowable wood cabinet temperatures of 194°F (90°C).

Mobile Home - Additional Installation Requirements

The installation of this range must conform to the Manufactured Home Construction and Safety Standard, Title 24 CFR, Part 3280 (formerly the Federal Standard for Mobile Home Construction and Safety, Title 24, HUD Part 280). When such standard is not applicable, use the Standard for Manufactured Home Installations, ANSI A225.1/NFPA 501A or with local codes. In Canada, the installation of this range must conform with the current standards CAN/CSA-Z240.1 - latest edition, or with local codes.

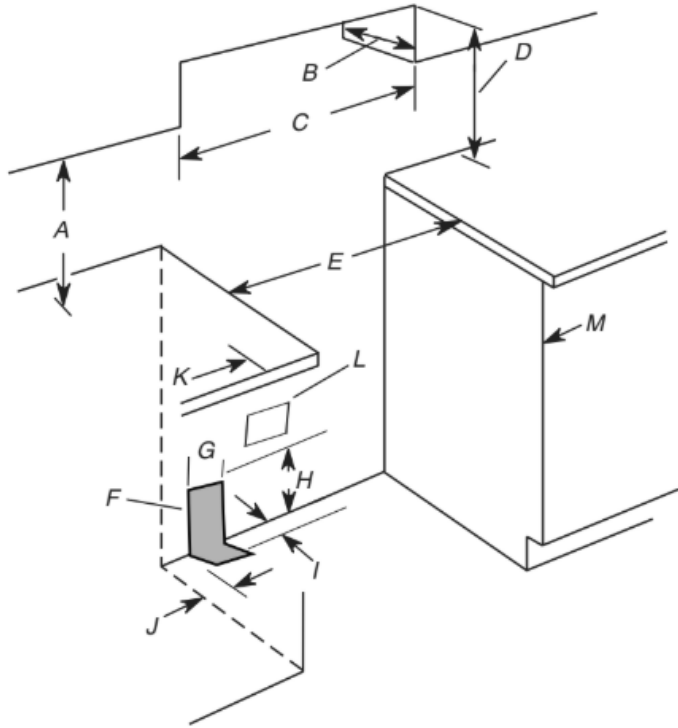
Mobile Home Installations Require:

- When this range is installed in a mobile home, it must be secured according to the instructions in this document.

Cabinet Dimensions

Cabinet opening dimensions shown are for 25" (64.0 cm) countertop depth, 24" (61.0 cm) base cabinet depth and 36" (91.4 cm) countertop height.

IMPORTANT: If installing a range hood or microwave hood combination above the range, follow the range hood or microwave hood combination installation instructions for dimensional clearances above the cooktop surface.



- A. 18" (45.7 cm) upper side cabinet to countertop
- B. 13" (33 cm) maximum upper cabinet depth
- C. 30" (76.2 cm) minimum opening width
- D. For minimum clearance to top of cooktop, see NOTE*.
- E. In U.S.A.: 30" (76.2 cm) minimum opening width
- F. The shaded areas are recommended for installation of rigid gas pipe.
- G. 11" (27.9 cm)
- H. 17" (43.2 cm)
- I. 2" (5.1 cm)
- J. 4½" (11.4 cm)
- K. 3" (7.6 cm) minimum clearance from both sides of range to side wall or other combustible material.
- L. Grounded outlet
- M. Cabinet door or hinges should not extend into the cutout.

***NOTE:** 24" (61.0 cm) minimum when bottom of wood or metal cabinet is covered by not less than 1/4" (6.4 mm) flame retardant millboard covered with not less than No. 28 MSG sheet steel, 0.015" (0.4 mm) stainless steel, 0.024" (0.6 mm) aluminum or 0.020" (0.5 mm) copper. 30" (76.2 cm) minimum clearance between the top of the cooking platform and the bottom of an uncovered wood or metal cabinet.

Electrical Requirements

⚠ WARNING



Electrical Shock Hazard

Plug into a grounded 3 prong outlet.

Do not remove ground prong.

Do not use an adapter.

Do not use an extension cord.

Failure to follow these instructions can result in death, fire, or electrical shock.

IMPORTANT: The range must be electrically grounded in accordance with local codes and ordinances, or in the absence of local codes, with the National Electrical Code, ANSI/NFPA 70 or Canadian Electrical Code, CSA C22.1.

This range is equipped with an electronic ignition system that will not operate if plugged into an outlet that is not properly polarized.

If codes permit and a separate ground wire is used, it is recommended that a qualified electrical installer determine that the ground path is adequate.

A copy of the above code standards can be obtained from:

National Fire Protection Association
1 Batterymarch Park
Quincy, MA 02169-7471

CSA International
8501 East Pleasant Valley Road
Cleveland, OH 44131-5575

- A 120 V, 60 Hz, AC only, 15 A fused, ground and polarized electrical circuit is required. A time-delay fuse or circuit breaker is also recommended. It is recommended that a separate circuit serving only this range be provided.
- Electronic ignition systems operate within wide voltage limits, but proper grounding and polarity are necessary. Check that the outlet provides 120 V power and is correctly grounded.
- This gas range is not required to be plugged into a GFCI (Ground-Fault Circuit Interrupter) outlet. It is recommended that you not plug an electric spark ignition gas range or any other major appliance into a GFCI wall outlet as it may cause the GFCI to trip during normal cycling.
- Performance of this range will not be affected if operated on a GFCI-protected circuit. However, occasional nuisance tripping of the GFCI breaker is possible due to the normal operating nature of electronic gas ranges.
- The tech sheet and wiring diagram are located on the back of the range in a plastic bag.

NOTE: The metal chassis of the range must be grounded in order for the control panel to work. If the metal chassis of the range is not grounded, no keypads will operate. Check with a qualified electrician if you are in doubt as to whether the metal chassis of the range is grounded.

Gas Supply Requirements

⚠WARNING



Explosion Hazard

Use a new CSA International approved gas supply line.

Install a shut-off valve.

Securely tighten all gas connections.

If connected to propane, have a qualified person make sure gas pressure does not exceed 14" (36 cm) water column.

Examples of a qualified person include: licensed heating personnel, authorized gas company personnel, and authorized service personnel.

Failure to do so can result in death, explosion, or fire.

Observe all governing codes and ordinances.

IMPORTANT: This installation must conform with all local codes and ordinances. In the absence of local codes, installation must conform with the National Fuel Gas Code ANSI Z223.1/NFPA 54 or, in Canada, the Natural Gas and Propane Installation Code, CSA B149.1- latest edition.

IMPORTANT: Leak testing of the range must be conducted according to the manufacturer's instructions. Refer to the "Complete Connection" in the "Make gas connection" section for the leak testing instructions.

Type of Gas

Natural Gas:

- This range is factory set for use with Natural gas. See "Gas Conversions" section. The model/serial rating plate located on the oven frame behind of the oven door has information on the types of gas that can be used. If the types of gas listed do not include the type of gas available, check with the local gas supplier.

Propane Gas Conversion:

Conversion must be done by a qualified service technician.

No attempt shall be made to convert the appliance from the gas specified on the model/serial rating plate for use with a different gas without consulting the serving gas supplier. See "Gas Conversions" section.

Gas Supply Line

- Provide a gas supply line of 3/4" (1.9 cm) rigid pipe to the range location. A smaller size pipe on longer runs may result in insufficient gas supply. With Propane gas, piping or tubing size can be 1/2" (1.3 cm) minimum. Usually, Propane gas suppliers determine the size and materials used in the system.
- **NOTE:** Pipe-joint compounds that resist the action of Propane gas must be used. Do not use TEFLON[†] tape.

[†]TEFLON is a registered trademark of Chemours.

Flexible Metal Appliance Connector:

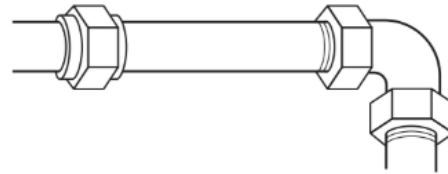
- If local codes permit, a new CSA design-certified, 4 to 5 ft (122 to 152.4 cm) long, 1/2" (13 mm) or 3/4" (19 mm) I.D., flexible metal appliance connector may be used for connecting range to the gas supply line.



- A 1/2" (13 mm) male pipe thread is needed for connection to the female pipe threads of the inlet to the appliance pressure regulator.
- Do not kink or damage the flexible metal tubing when moving the range.

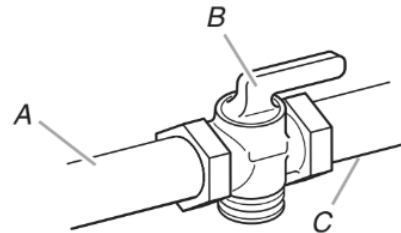
Rigid pipe connection:

The rigid pipe connection requires a combination of pipe fittings to obtain an in-line connection to the range. The rigid pipe must be level with the range connection. All strains must be removed from the supply and fuel lines so range will be level and in line.



- Must include a shut-off valve:

Install a manual gas line shut-off valve in an easily accessible location. Do not block access to shut-off valve. The valve is for turning on or shutting off gas to the cooktop.



A. Gas supply line
B. Shut-off valve "open" position
C. To range

Gas Pressure Regulator

The gas pressure regulator supplied with this range must be used. The inlet pressure to the regulator should be as follows for proper operation:

Natural Gas:

Minimum pressure: 5" (12.7 cm) WCP

Maximum pressure: 14" (35.5 cm) WCP

Propane Gas:

Minimum pressure: 11" (27.9 cm) WCP

Maximum pressure: 14" (35.5 cm) WCP

Contact local gas supplier if you are not sure about the inlet pressure.

Burner Input Requirements

Input ratings shown on the model/serial/rating plate are for elevations up to 2,000 ft (609.6 m).

For elevations above 2,000 ft (609.6 m), ratings are reduced at a rate of 4% for each 1,000 ft (304.8 m) above sea level (not applicable for Canada).

Gas Supply Pressure Testing

Gas supply pressure for testing regulator must be at least 1" (2.5 cm) water column pressure above the manifold pressure shown on the model/serial rating plate.

Line pressure testing above 1/2 psi (3.5 kPa) gauge 14" (35.5 cm) WCP

The range and its individual shutoff valve must be disconnected from the gas supply piping system during any pressure testing of that system at test pressures in excess of 1/2 psi (3.5 kPa).

Line pressure testing at 1/2 psi (3.5 kPa) gauge 14" (35.5 cm) WCP or lower

The range must be isolated from the gas supply piping system by closing its individual manual shutoff valve during any pressure testing of the gas supply piping system at test pressures equal to or less than 1/2 psi (3.5 kPa).

INSTALLATION

Unpack Range

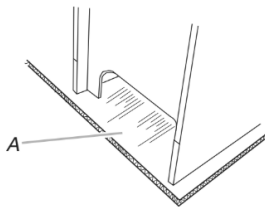
⚠ WARNING

Excessive Weight Hazard

Use two or more people to move and install or uninstall appliance.

Failure to do so can result in back or other injury.

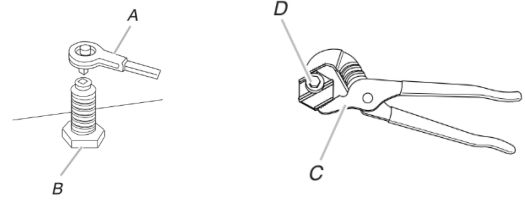
1. Remove shipping materials, tape and film from range.
2. Remove oven racks and parts package from inside oven.
3. Do not remove the shipping base at this time.



A. Shipping base

4. On Ranges Equipped with a Storage Drawer:

Remove the storage drawer. See the "Storage Drawer" section. Use a 1/4" (6.4 mm) drive ratchet to lower the rear leveling legs one-half turn. Use a wrench or pliers to lower front leveling legs one-half turn.

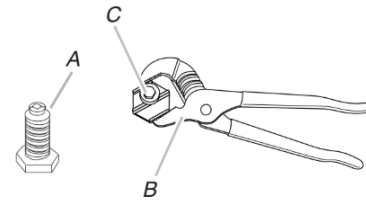


A. 1/4" (6.4 mm) drive ratchet
B. Rear leveling leg

C. Wrench or pliers
D. Front leveling leg

On Ranges Equipped with a Warming Drawer or Premium Storage Drawer:

On ranges equipped with a warming drawer or premium storage drawer, the rear legs cannot be accessed by removing the warming drawer or premium storage drawer. It will be necessary to adjust the rear legs from outside the range. Use wrench or pliers to lower the front and rear leveling legs one-half turn.



A. Rear leveling leg
B. Wrench or pliers
C. Front leveling leg

Install Anti-Tip Bracket

⚠ WARNING



Tip Over Hazard

A child or adult can tip the range and be killed.

Install anti-tip bracket to floor or wall per installation instructions.

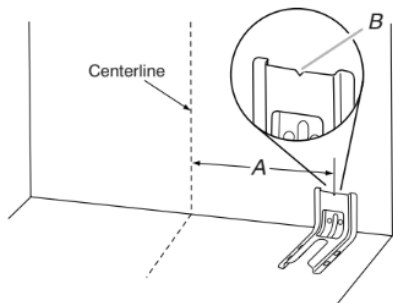
Slide range back so rear range foot is engaged in the slot of the anti-tip bracket.

Re-engage anti-tip bracket if range is moved.

Do not operate range without anti-tip bracket installed and engaged.

Failure to follow these instructions can result in death or serious burns to children and adults.

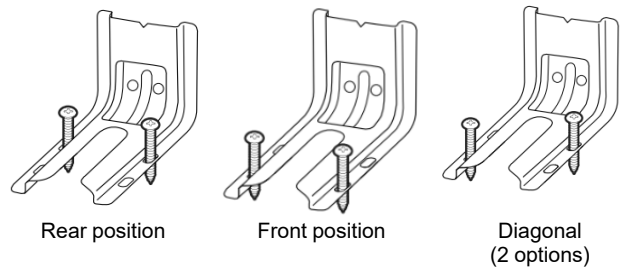
1. Remove the anti-tip bracket from where it is taped inside the storage drawer, warming drawer, or premium storage drawer
2. Determine which mounting method to use: floor or wall. If you have a stone or masonry floor, you can use the wall mounting method. If you are installing the range in a mobile home, you must secure the range to the floor.
3. Determine and mark centerline of the cutout space. The mounting can be installed on either the left side or right side of the cutout. Position mounting bracket against the wall in the cutout so that the V-notch of the bracket is $12\frac{9}{16}$ " (31.9 cm) from centerline as shown.



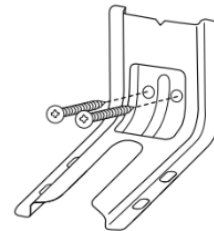
- A. $12\frac{9}{16}$ " (31.9 cm)
 B. Bracket V-notch

4. Drill two $\frac{1}{8}$ " (3 mm) holes that correspond to the bracket holes of the determined mounting method. See the following illustrations.

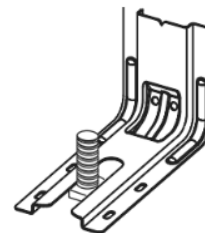
Floor Mounting



Wall Mounting



5. Using the Phillips screwdriver, mount anti-tip bracket to the wall or floor with the two #12 x $1\frac{5}{8}$ " (4.1 cm) screws provided, mount anti-tip bracket to the wall or floor.
6. Move range close enough to opening to allow for final gas and electrical connections. Remove shipping base, cardboard or hardboard from under range.
7. Move range into its final location, making sure rear leveling leg slides into anti-tip bracket.



8. Move range forward onto shipping base, cardboard or hardboard to continue installing the range using the following installation instructions.

Make Gas Connection

⚠️ WARNING



Explosion Hazard

Use a new CSA International approved gas supply line.

Install a shut-off valve.

Securely tighten all gas connections.

If connected to propane, have a qualified person make sure gas pressure does not exceed 14" (36 cm) water column.

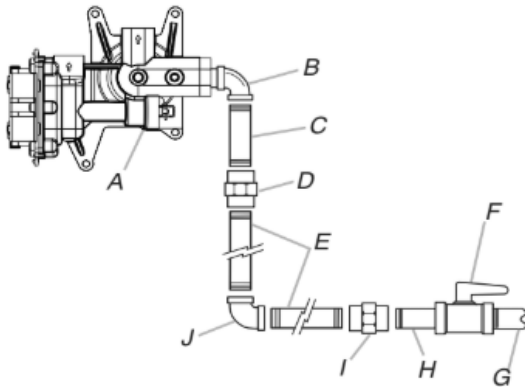
Examples of a qualified person include: licensed heating personnel, authorized gas company personnel, and authorized service personnel.

Failure to do so can result in death, explosion, or fire.

Typical rigid pipe connection

A combination of pipe fittings must be used to connect the range to the existing gas line. Your connections may be different, according to the supply line type, size and location.

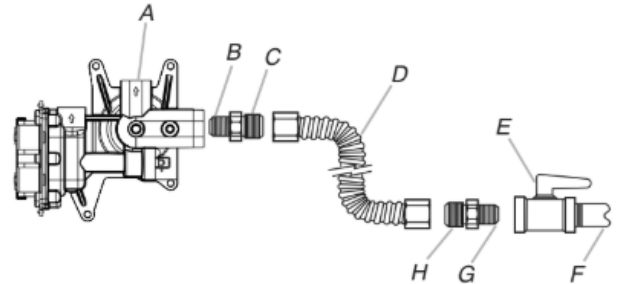
1. Apply pipe-joint compound made for use with Propane gas to all pipe thread connections.
2. Using a pipe wrench to tighten, connect the gas supply to the range.



- | | |
|---|--|
| A. Gas pressure regulator | F. Manual gas shutoff valve |
| B. 90° elbow (must have 1/3" [1.2 cm] male pipe thread) | G. 1/2" (1.3 cm) or 3/4" (1.9 cm) gas pipe |
| C. Nipple | H. Nipple |
| D. Union | I. Union |
| E. Black iron pipe | J. 90° elbow |

Typical flexible connection

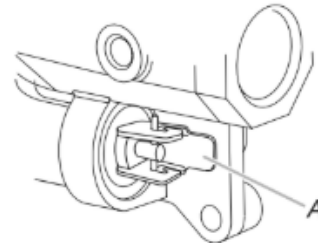
1. Apply pipe-joint compound made for use with propane gas to the smaller thread ends of the flexible connector adapters (see B and G in the following illustration).
2. Attach one adapter to the gas pressure regulator and the other adapter to the gas shut-off valve. Tighten both adapters.
3. Use a 15/16" (23.8 mm) combination wrench and channel lock pliers to attach the flexible connector to the adapters. Check that connector is not kinked.



- | | |
|--|--|
| A. Gas pressure regulator | E. Manual gas shutoff valve |
| B. Use pipe-joint compound. | F. 1/2" (12.7 mm) or 3/4" (19.1 mm) gas pipe |
| C. Adapter (must have 1/3" [12.7 mm] male pipe thread) | G. Use pipe-joint compound. |
| D. Flexible connector | H. Adapter |

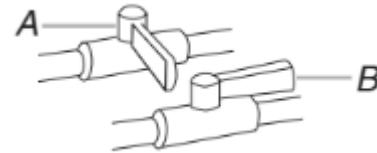
Complete Connection

1. Check that the gas pressure regulator shut-off valve is in the "on" position.



A. Gas pressure regulator shut-off valve shown in the "on" position

2. Open the manual shut-off valve in the gas supply line. The valve is open when the handle is parallel to the gas pipe.

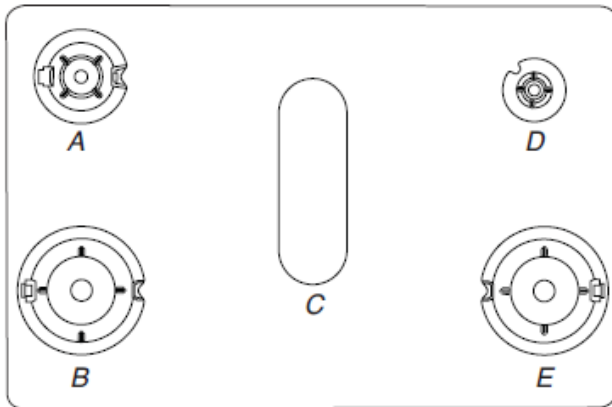


A. Closed valve
B. Open valve

3. Test all connections by brushing on an approved noncorrosive leak-detection solution. If bubbles appear, a leak is indicated. Correct any leak found.

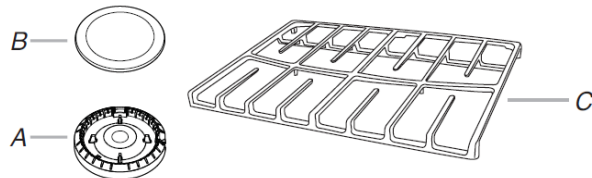
- Remove cooktop burner caps and bases from package containing parts. Place the burner bases as indicated by the following illustration for your model:

For Select Model:



- A. Medium (Semi Rapid) D. Small (Auxiliary)
 B. Large (Ultra Rapid) 5. Large (Ultra Rapid)
 C. Oval (OV)

5. Burner caps should be level when properly positioned. If burner caps are not properly positioned, surface burners will not light. Place burner grates over burners and caps.



- A. Burner base
 B. Burner cap
 C. Burner grate

6. Place the burner caps on the appropriate burner bases.

IMPORTANT: The bottom of the small and medium caps are different. Do not put the wrong size burner cap on the burner base. Each round burner cap is marked with an AUX, SR, UR, or ST to match with a letter on the burner base.



⚠ WARNING



Electrical Shock Hazard

Plug into a grounded 3 prong outlet.

Do not remove ground prong.

Do not use an adapter.

Do not use an extension cord.

Failure to follow these instructions can result in death, fire, or electrical shock.

7. Plug into a grounded 3-prong outlet.
8. Slide range into final location, making sure the rear leveling leg slides into the slot of the anti-tip bracket.

Verify Anti-Tip Bracket Is Installed and Engaged

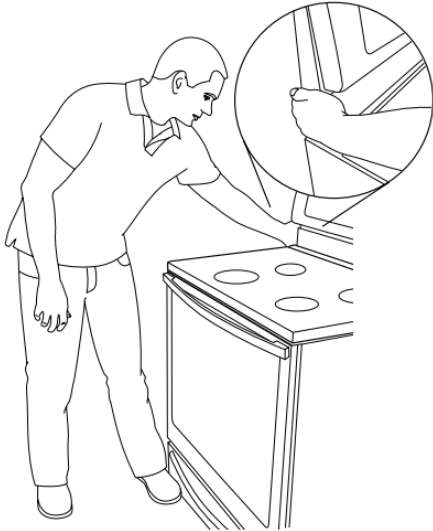
On Ranges Equipped with a Storage Drawer:

1. Remove the storage drawer. See the "Storage Drawer" section.
2. Use a flashlight to look underneath the bottom of the range.
3. Visually check that the rear range foot is inserted into the slot of the anti-tip bracket.

On Ranges Equipped with a Warming Drawer or Premium Storage Drawer:

1. Place the outside of your foot against the bottom front of the warming drawer or premium storage drawer, and grasp the lower right or left side of the control panel as shown.

NOTE: If your countertop is mounted with a backsplash, it may be necessary to grasp the range higher than is shown in the illustration.



2. Slowly attempt to tilt the range forward.
If you encounter immediate resistance, the range foot is engaged in the anti-tip bracket.
3. If the rear of the range lifts more than 1/2" (1.3 cm) off the floor without resistance, stop tilting the range and lower it gently back to the floor. The range foot is not engaged in the anti-tip bracket.

IMPORTANT: If there is a snapping or popping sound when lifting the range, the range may not be fully engaged in the bracket. Check to see if there are obstructions keeping the range from sliding to the wall or keeping the range foot from sliding into the bracket. Verify that the bracket is held securely in place by the mounting screws.

4. Slide the range forward, and verify that the anti-tip bracket is securely attached to the floor or wall.
5. Slide range back so the rear range foot is inserted into the slot of the anti-tip bracket.

IMPORTANT: If the back of the range is more than 2" (5.1 cm) from the mounting wall, the rear range foot may not engage the bracket. Slide the range forward and determine if there is an obstruction between the range and the mounting wall. Changes to the gas supply must be performed by a qualified service technician. If you need assistance or service, refer to the Quick Start Guide for contact information.

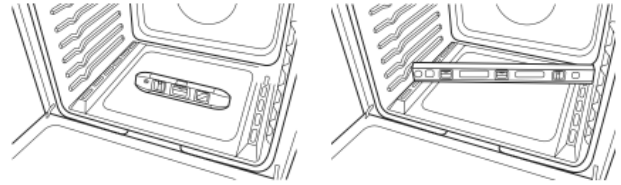
6. Repeat steps 1 and 2 to ensure that the range foot is engaged in the anti-tip bracket.
If the rear of the range lifts more than 1/2" (1.3 cm) off the floor without resistance, the anti-tip bracket may not be installed correctly. Do not operate the range without anti-tip bracket installed and engaged. If you need assistance or service, refer to the Quick Start Guide for contact information.

Level Range

Determine if you have AquaLift® Technology or Steam Clean by referring to the "Range Maintenance and Care" section.

For Ranges with AquaLift® Technology or Steam Clean:

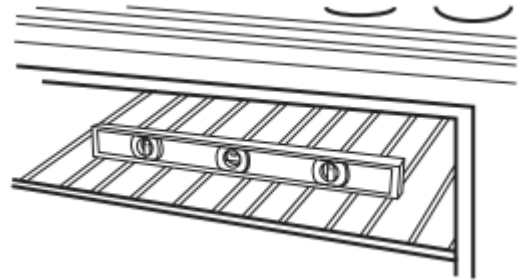
1. Place level on the oven bottom as indicated in one of the two figures below depending on the size of the level. Check with the level side to side and front to back.



2. If range is not level, pull range forward until rear leveling leg is removed from the anti-tip bracket.
3. Follow the directions in Style 1 or Style 2, depending on the style of drawer supplied with the range.

For Ranges without AquaLift® Technology or Steam Clean:

1. Place a standard flat rack in oven.
2. Place level on the rack and check levelness of the range, first side to side; then front to back.



3. If range is not level, pull range forward until rear leveling leg is removed from the anti-tip bracket.
4. Follow the directions in Style 1 or Style 2, depending on the style of drawer supplied with the range.

Style 1: Ranges Equipped with a Storage Drawer:

Use a 1/4" (6.4 mm) drive ratchet, wrench or pliers to adjust leveling legs up or down until the range is level. Push range back into position. Check that rear leveling leg is engaged in the anti-tip bracket.

Style 2: Ranges Equipped with a Warming Drawer or Premium Storage Drawer:

Use a wrench or pliers to adjust leveling legs up or down until the range is level. Push range back into position. Check that rear leveling leg is engaged in the anti-tip bracket.

NOTE: Range must be level for satisfactory baking performance and best cleaning results using AquaLift® Technology and Steam Clean functions.

Electronic Ignition System

Initial Lighting and Gas Flame Adjustments

Cooktop and oven burners use electronic igniters in place of standing pilots. When the cooktop control knob is turned to the "LITE" position, the system creates a spark to light the burner. This sparking continues, as long as the control knob is turned to "LITE."

When the oven control is turned to the desired setting, sparking occurs and ignites the gas.

Check Operation of Cooktop Burners

Standard Surface Burners

Push in and turn each control knob to the "LITE" position.

The flame should light within 4 seconds. The first time a burner is lit, it may take longer than 4 seconds to light because of air in the gas line.

If Burners Do Not Light Properly:

- Turn cooktop control knob to the "OFF" position.
- Check that the range is plugged in. Check that the circuit breaker has not tripped or the household fuse has not blown.
- Check that the gas shutoff valves are set to the "open" position.
- Check that burner caps are properly positioned on burner bases.

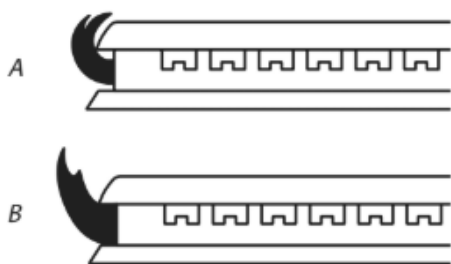
Repeat start-up. If a burner does not light at this point, turn the control knobs to the "OFF" position and contact your dealer or authorized service company for assistance.

Power Failure

In case of prolonged power failure, the surface burners can be lit manually. Hold a lit match near a burner, and turn knob counterclockwise to LITE. After the burner lights, turn knob to desired setting.

Adjust Flame Height

Adjust the height of top burner flames. The cooktop "low" burner flame should be a steady blue flame approximately 1/4" (6.4 mm) high.

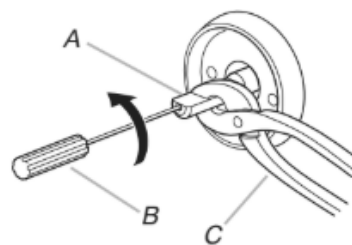


A. Low flame
B. High flame

To adjust standard burner:

The flame can be adjusted using the adjustment screw in the center of the valve stem. The valve stem is located directly underneath the control knob.

If the "low" flame needs to be adjusted:

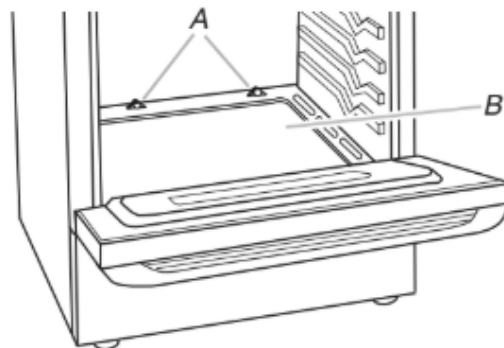


A. Control knob stem
B. Screwdriver
C. Pliers

1. Light 1 burner and turn to lowest setting.
2. Remove the control knob.
Hold the knob stem with a pair of pliers. Use a small flat blade screwdriver to turn the screw located in the center of the control knob stem until the flame is the proper size.
3. Replace the control knob.
4. Test the flame by turning the control from "LO" to "HI," checking the flame at each setting.
5. Repeat the previous steps for each burner.

Check Operation of Oven Bake Burner

1. Remove the oven rack.
2. To remove the oven bottom: Remove 2 screws at the rear of the oven bottom. Lift the rear of the oven bottom up and back until the front of the panel is away from the front frame. Remove it from oven and place on a covered surface.



A. Screws
B. Oven bottom

3. You can check the burner flame by using a mirror. Insert a mirror to one side of the burner. Look into the mirror to check flame.
4. Push the BAKE pad.
5. Press the START pad.

The oven bake burner should light within 8 seconds. Under certain conditions, it may take the burner up to 50 to 60 seconds to light.

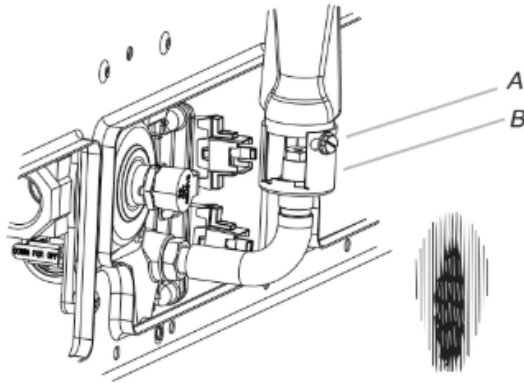
Electronic igniters are used to light the bake and broil burners.

Refer to the Quick Start Guide and online Control Guide for proper operation of the oven controls.

Adjust Oven Bake Burner Flame (if needed)

1. On models with a warming drawer, remove access cover plate (1 screw) located at the back of the warming drawer compartment.
2. Check the oven bake burner for proper flame.
This flame should have a 1/2" (1.3 cm) long inner cone of bluish-green, with an outer mantle of dark blue, and should be clean and soft in character. No yellow tips, blowing or lifting of flame should occur.

- If the oven bake flame needs to be adjusted, locate the air shutter near the center rear of the range. Loosen the locking screw and rotate the air shutter until the proper flame appears. Tighten locking screw.



A. Locking screw
B. Air shutter

- Push CANCEL/OFF when finished.
- Reinstall flame spreader and oven bake burner cover.

Check Operation of Oven Broil Burner

- Close the oven door.
- Press the BROIL pad.
- Press the START pad.

The oven burner should light within 8 seconds. Under certain conditions, it may take the burner up to 50 to 60 seconds to light.

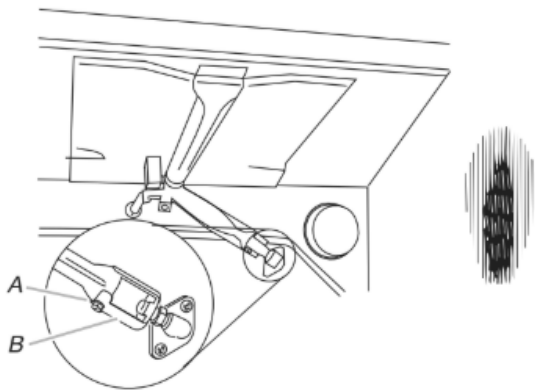
Refer to the Quick Start Guide and online Control Guide for proper operation of the oven controls.

Adjust Oven Broil Burner Flame (if needed)

Look through oven window to check broil burner for proper flame. This flame should have a 1/2" (1.3 cm) long inner cone of bluish-green, with an outer mantle of dark blue, and should be clean and soft in character. No yellow tips, blowing or lifting of flame should be present.

If flame needs to be adjusted:

- Loosen the lock screw on the air shutter located at the rear of the broil burner.
- Adjust the air shutter as needed.
- Tighten lock screw.



A. Lock screw
B. Air shutter

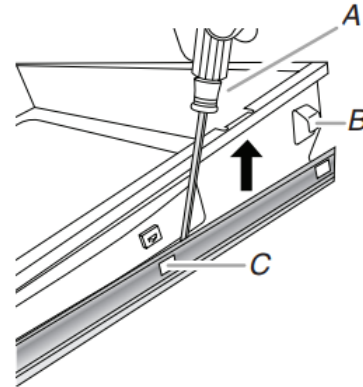
- Press CANCEL/OFF when finished.

Warming Drawer or Premium Storage Drawer (on some models)

Remove all items from inside the baking drawer, warming drawer or premium storage drawer, and then allow the range to cool completely before attempting to remove the drawer.

To Remove:

- Open the drawer to its fully open position.
- Using a flat-blade screwdriver, gently loosen the drawer from the glide alignment notch, and then lift up the drawer alignment tab from the glide.

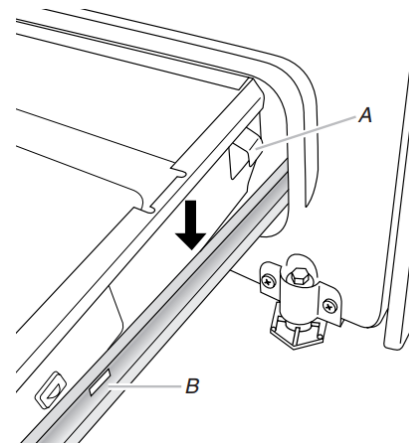


A. Flat-blade screwdriver
B. Drawer alignment tab
C. Drawer glide notch

- Repeat Step 2 on the other side. The drawer is no longer attached to the drawer glides. Using both hands, pick up the drawer to complete the removal.

To Replace:

- Align the forward drawer notches with the notches in the drawer glides on both sides. Place the rear alignment tabs into the drawer glides on both sides.



A. Drawer alignment tab
B. Drawer glide notch

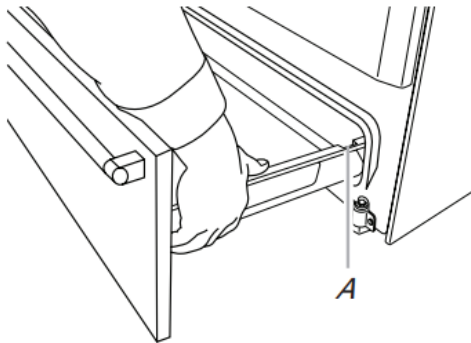
- Push the warming drawer or premium storage drawer in all the way.
- Gently open and close the warming drawer or premium storage drawer to ensure it is seated properly on the glides on both sides.

Storage Drawer (on some models)

The storage drawer can be removed. Before removing, make sure drawer is cool and empty.

To Remove:

1. Pull the storage drawer straight back to the drawer stop.

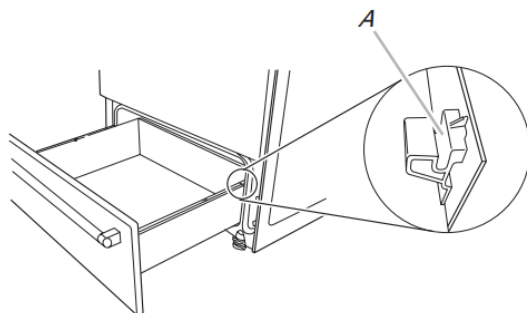


A. Drawer stop notch

2. Lift up the front of the drawer and pull the drawer out.

To Replace:

1. Lift up the front of the drawer and place the rear of the drawer inside the range so that the drawer stop notch is behind the drawer glide.
2. Lower the drawer so that the edge of the slide rail drops into the slot in the drawer glide.
3. Slowly push the drawer into the range.



A. Engage drawer glide

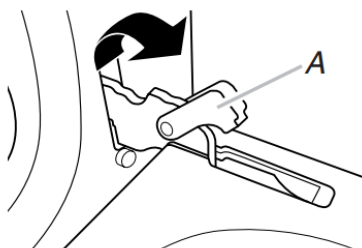
NOTE: When properly installed, the rear slides on the bottom of the drawer will engage the base rails and the drawer will not tip when items are placed in the drawer.

Oven Door

For normal range use, it is not suggested to remove the oven door. However, if removal is necessary, make sure the oven is OFF and cool. Then, follow these instructions. The oven door is heavy.

To Remove:

1. Open oven door all the way.
2. Pinch the hinge latch between two fingers and pull forward. Repeat on other side of oven door.



A. Hinge Latch

3. Close the oven door as far as it will shut.
4. Lift the oven door while holding both sides. Continue to push the oven door closed and pull it away from the oven door frame.



To Replace:

1. Insert both hanger arms into the door.



2. Open the oven door. You should hear a click as the door is set into place.
3. Move the hinge levers back to the locked position. Check that the door is free to open and close. If it is not, repeat the removal and installation procedures.

Complete Installation

1. Check that all parts are now installed. If there is an extra part, go back through the steps to see which step was skipped.
2. Check that you have all of your tools.
3. Dispose of/recycle all packaging materials.
4. Check that the range is level. See the "Level Range" section.
5. Use a mild solution of liquid household cleaner and warm water to remove waxy residue caused by shipping material. Dry thoroughly with a soft cloth. For more information, read the "Range Maintenance and Care" section.
6. Read the Quick Start Guide and online Control Guide.
7. Turn on surface burners and oven. See the Quick Start Guide and online Control Guide for specific instruction on range operation.

If Range Does Not Operate, Check the Following:

- Household fuse is intact and tight; or circuit breaker has not tripped.
 - Range is plugged into a grounded 3-prong outlet.
 - Gas pressure regulator shutoff valve is in the "on" position.
 - Electrical supply is connected.
 - See the online "Troubleshooting" section.
8. When the range has been on for 5 minutes, check for heat. If the range is cold, turn off the range and check that the gas supply line shut-off valve is open.
- If the gas supply line shut-off valve is closed, open it, and then repeat the 5 minute test as outlined above.
 - If the gas supply line shutoff valve is open, press the CANCEL button on the oven control panel and contact a qualified technician.

If You Need Assistance or Service:

Please reference the Quick Start Guide for contact information.

GAS CONVERSIONS

Gas conversions from Natural gas to propane gas or from propane gas to Natural gas must be done by a qualified installer.

⚠WARNING



Explosion Hazard

Use a new CSA International approved gas supply line.

Install a shut-off valve.

Securely tighten all gas connections.

If connected to propane, have a qualified person make sure gas pressure does not exceed 14" (36 cm) water column.

Examples of a qualified person include: licensed heating personnel, authorized gas company personnel, and authorized service personnel.

Failure to do so can result in death, explosion, or fire.

⚠WARNING:

This conversion kit shall be installed by a qualified service agency in accordance with the manufacturer's instructions and all applicable codes and requirements of the authority having jurisdiction. If the information in these instructions is not followed exactly, a fire, explosion or production of carbon monoxide may result causing property damage, personal injury or loss of life. The qualified service agency is responsible for the proper installation of this kit. The installation is not proper and complete until the operation of the converted appliance is checked as specified in the manufacturer's instructions supplied with the kit.

Propane Gas Conversion

⚠WARNING



Tip Over Hazard

A child or adult can tip the range and be killed.

Install anti-tip bracket to floor or wall per installation instructions.

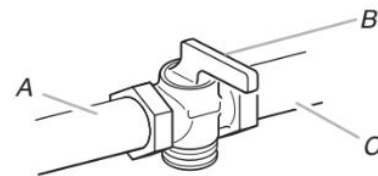
Slide range back so rear range foot is engaged in the slot of the anti-tip bracket.

Re-engage anti-tip bracket if range is moved.

Do not operate range without anti-tip bracket installed and engaged.

Failure to follow these instructions can result in death or serious burns to children and adults.

1. Turn manual shutoff valve to the closed position.



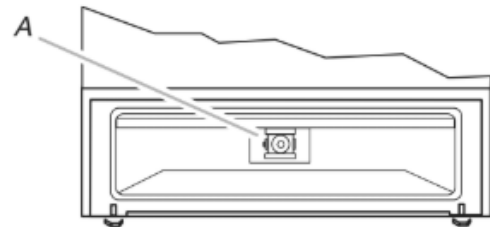
- A. To range
- B. Manual shut-off valve closed position
- C. Gas supply line

2. Unplug range or disconnect power.

To Convert Gas Pressure Regulator (Natural gas to Propane)

1. Remove the premium storage drawer, warming drawer or baking drawer. See the "Remove/Replace Drawer", "Storage Drawer" or "Warming Drawer or Premium Storage Drawer" section.
2. Locate gas pressure regulator at rear of the drawer compartment.

NOTE: On models with a warming drawer or baking drawer, an access cover must be removed to access the gas pressure regulator.



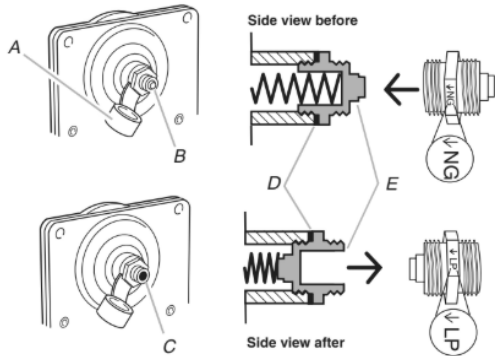
- A. Gas pressure regulator

IMPORTANT: Do not remove the gas pressure regulator.

3. Remove plastic cover from gas pressure regulator cap.

- Turn gas pressure regulator cap counterclockwise with a 5/8" (1.6 cm) combination wrench to remove.

NOTE: Do not remove the spring beneath the cap.

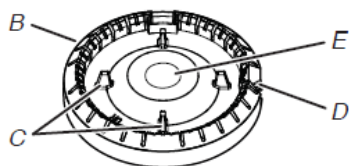
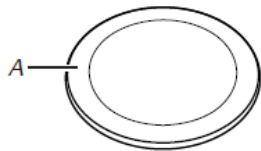


- A. Plastic cover
- B. Gas pressure regulator cap with solid end facing out
- C. Gas pressure regulator cap with hollow end facing out
- D. Washer
- E. Gas pressure regulator cap

- Turn over the gas pressure regulator cap and reinstall on regulator so that the hollow end faces out and the marking "↓LP" is facing the direction shown in the above drawing.
- Replace plastic cover over gas pressure regulator cap.

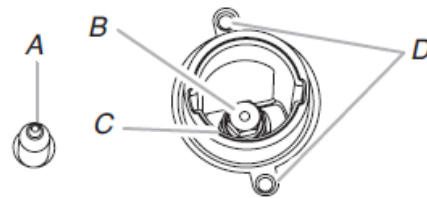
To Convert Surface Burners (Natural Gas to Propane Gas)

- Remove burner cap.
- Remove the burner base.



- A. Burner cap
- B. Burner base
- C. Alignment pins
- D. Igniter electrode
- E. Gas tube opening

- Apply masking tape to the end of a 9/32" (7 mm) nut driver to help hold the gas orifice spud in the nut driver while changing it. Press nut driver down onto the gas orifice spud and remove by turning it counterclockwise and lifting out. Set gas orifice spud aside.



- A. Igniter electrode
- B. Orifice spud
- C. Orifice spud holder
- D. Screws

- Remove the orifice spuds shipped in the literature package in the oven. Gas orifice spuds are stamped with a number and have a groove in the hex area. Replace the Natural gas orifice spud with the correct propane gas orifice spud.



- A. Propane groove

Refer to the following chart for correct Propane gas orifice spud placement.

Propane Gas Orifice Spud Chart for Surface Burner

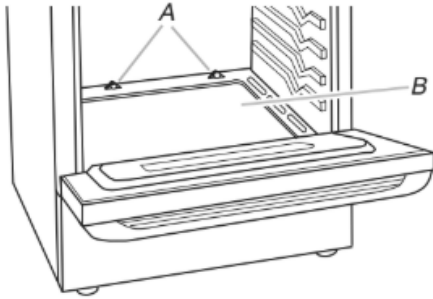
Placement	Burner Rating / Type	Size (mm)	ID Number
LF	14,200 BTU	1.08	108AM
LR	8,000 BTU	0.84	084AM
RF	14,200 BTU	1.08	108AM
RR	5,000 BTU	0.64	064AM
CTR	8,000 BTU	0.84	084AM

NOTE: Refer to the model/serial/rating plate located on the oven frame behind the top left side of the oven door for proper sizing of spuds for each burner location.

- Place Natural gas orifice spuds in the orifice spud bag.
IMPORTANT: Keep the Natural gas orifice spuds in case of reinstallation with Natural gas.
- Replace the burner base.
- Replace burner cap.
- Repeat steps 1-7 for the remaining burners.

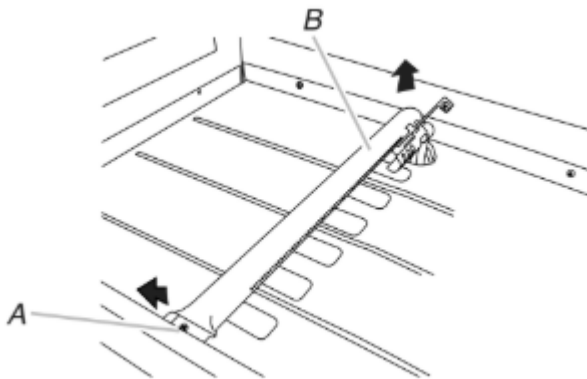
To Convert Oven Bake Burner (Natural Gas to Propane Gas)

1. Remove the oven racks.
2. Remove 2 screws at the rear of the oven bottom.
3. Lift the rear of the oven bottom up and back until the front of the panel is away from the front frame. Remove from oven and set it aside on a covered surface.



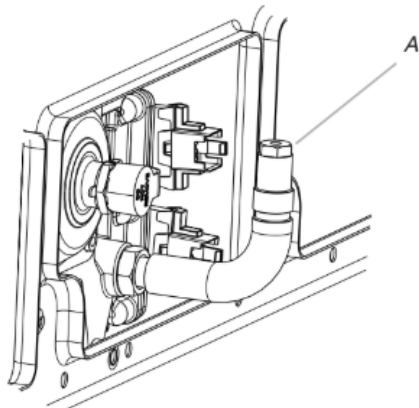
A. Screws
B. Oven bottom

4. Remove 1 screw from the bake burner.
5. Slide the front of the bake burner to the side to remove tab from front of oven. Lift the back of the bake burner off the oven orifice, and set the bake burner aside.



A. Screws
B. Bake burner

6. Use a 3/8" (1cm) nut driver or combination wrench and turn the Natural gas bake burner orifice spud counterclockwise to remove. The spud will be stamped with a "47."
7. Replace the "47" spud with a "56" spud. Install the Propane gas bake burner orifice spud, turning it clockwise until snug. **IMPORTANT:** Do not overtighten.



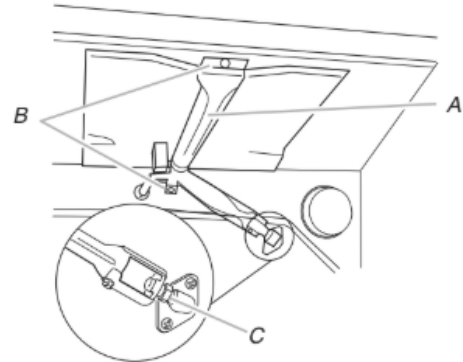
A. Orifice spud

8. Position the back of the bake burner over the oven orifice, and slide the tab on front of the bake burner into the front of the oven.
9. Reattach the bake burner with 2 screws.
10. Position the front of the oven bottom panel toward the front frame and lower the rear of the oven bottom panel into the oven.
11. Reattach the oven bottom panel with screws.

To Convert Oven Broil Burner (Natural Gas to Propane Gas)

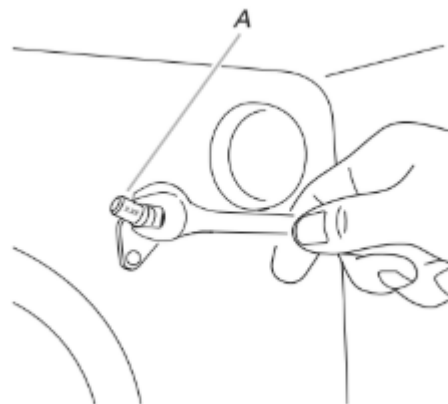
1. Remove the screw from the broil burner
2. Remove the flame spreader.
3. Remove the broil burner from the broil burner orifice hood.

NOTE: The broil burner will hang in the back of the oven while changing the orifice hood.



A. Broil burner
B. Screws
C. Orifice hood

4. Use a 3/8" (1 cm) combination wrench and turn the Natural gas broil burner orifice hood counterclockwise to remove. The hood will be stamped with a "155."
5. Replace the "155" hood with a "100" hood. Install the Propane gas broiler burner orifice hood, turning it clockwise until snug. **IMPORTANT:** Do not overtighten.
6. Place the broil burner on the broil burner orifice hood and insert the broil burner ceramic igniter in the hole in the rear of the oven.



A. Orifice hood

7. Position the broil burner against the top of the oven and attach it with 2 screws.
8. Replace storage drawer, warming drawer or premium storage drawer. See the "Storage Drawer" or "Warming Drawer or Premium Storage Drawer" section.

9. Replace the oven door if it has been removed. See the "Oven Door" section.
10. Replace the oven racks

Complete Installation (Natural Gas to Propane Gas)

1. Refer to the "Make Gas Connection" section for properly connecting the range to the gas supply.
2. Refer to the "Electronic Ignition System" section for proper burner ignition, operation and burner flame adjustments.
IMPORTANT: You may have to adjust the "LO" setting for each cooktop burner.
Checking for proper cooktop, bake and broil burner flame is very important. The small inner cone should have a very distinct blue flame 1/4" (6.4 mm) to 1/2" (1.3 cm) long. The outer cone is not as distinct as the inner cone. Propane gas flames have a slightly yellow tip.
3. Refer to "Complete Installation" in the "Installation Instructions" section of this manual to complete this procedure.
NOTE: Make sure to save the orifices that have just been replaced in the conversion.

Natural Gas Conversion

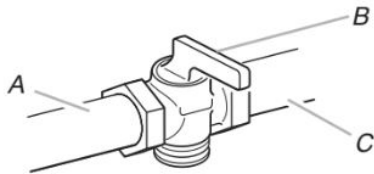
⚠WARNING



Tip Over Hazard

A child or adult can tip the range and be killed.
Install anti-tip bracket to floor or wall per installation instructions.
Slide range back so rear range foot is engaged in the slot of the anti-tip bracket.
Re-engage anti-tip bracket if range is moved.
Do not operate range without anti-tip bracket installed and engaged.
Failure to follow these instructions can result in death or serious burns to children and adults.

1. Turn manual shutoff valve to the closed position.

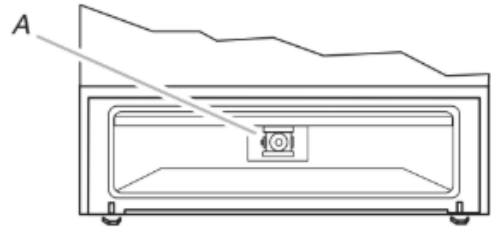


- A. To range
- B. Manual shut-off valve closed position
- C. Gas supply line

2. Unplug range or disconnect power.

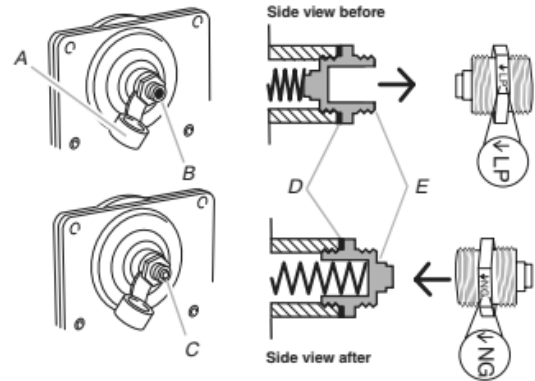
To Convert Gas Pressure Regulator (Propane Gas to Natural Gas)

1. Remove the premium storage drawer, warming drawer or baking drawer or premium storage drawer. See the Remove/Replace Drawer, Storage Drawer or Warming Drawer or Premium Storage Drawer section.
2. Locate gas pressure regulator at rear of the drawer compartment.
NOTE: On models with a warming drawer or baking drawer, an access cover must be removed to access the gas pressure regulator.



A. Gas pressure regulator

- IMPORTANT:** Do not remove the gas pressure regulator.
3. Remove plastic cover from gas pressure regulator cap.
 4. Turn gas pressure regulator cap counterclockwise with a 5/8" (1.6 cm) combination wrench to remove.
NOTE: Do not remove the spring beneath the cap.

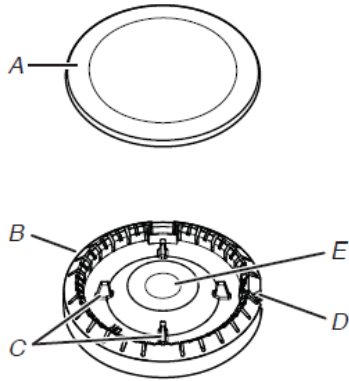


- A. Plastic cover
- B. Gas pressure regulator cap with hollow end facing out
- C. Gas pressure regulator cap with solid end facing out
- D. Washer
- E. Gas pressure regulator cap

5. Turn over the gas pressure regulator cap and reinstall on regulator so that the solid end faces out and the marking "↓NG" is facing the direction shown in the above drawing.
6. Replace plastic cover over gas pressure regulator cap.

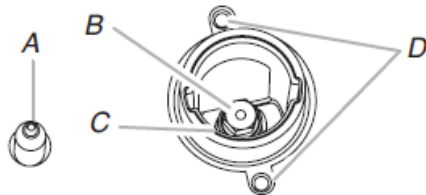
To Convert Surface Burners (Propane Gas to Natural Gas)

1. Remove burner cap.
2. Remove the burner base.



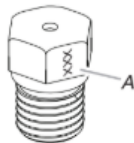
- A. Burner cap
- B. Burner base
- C. Alignment pins
- D. Igniter electrode
- E. Gas tube opening

3. Apply masking tape to the end of a 9/32" (7 mm) nut driver to help hold the gas orifice spud in the nut driver while changing it. Press nut driver down onto the gas orifice spud and remove by turning it counterclockwise and lifting out. Set gas orifice spud aside.



- A. Igniter electrode
- B. Orifice spud
- C. Orifice spud holder
- D. Screws

4. Gas orifice spuds are stamped with a number on the side. Replace the propane gas orifice spud with the correct Natural gas orifice spud.



A. Stamped number

Refer to the following chart for the correct Natural gas orifice spud placement.

Natural Gas Orifice Spud Chart

Burner Rating	Size (mm)	ID Number
18,000 BTU	2.00	200AM
17,000 BTU	1.96	196AM
15,000 BTU	1.80	180AM
9,500 BTU	1.40	140AM

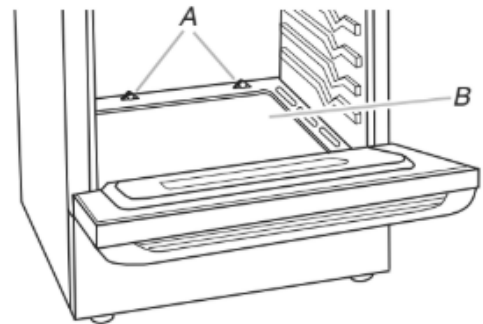
8,000 BTU	1.30	130AM
5,000 BTU	1.00	100AM

NOTE: Refer to the model/serial/rating plate located on the oven frame behind the top right-hand side of the oven door for proper sizing of spuds for each burner location.

5. Place propane gas orifice spuds in the orifice spud bag.
 - IMPORTANT:** Keep the propane gas orifice spuds in case of reinstallation with propane gas.
6. Replace the burner base using both screws.
7. Replace burner cap.
8. Repeat steps 1 through 7 for the remaining burners.

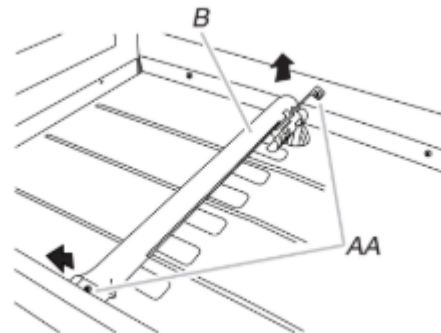
To Convert Oven Bake Burner (Propane Gas to Natural Gas)

1. Remove the oven racks.
2. Remove 2 screws at the rear of the oven bottom.
3. Lift the rear of the oven bottom up and back until the front of the panel is away from the front frame. Remove from oven and set it aside on a covered surface.



- A. Screws
- B. Oven bottom

4. Remove 1 screw from the bake burner.
5. Slide the front of the bake burner to the side to remove tab from front of oven. Lift the back of the bake burner off the oven orifice, and set the bake burner aside.

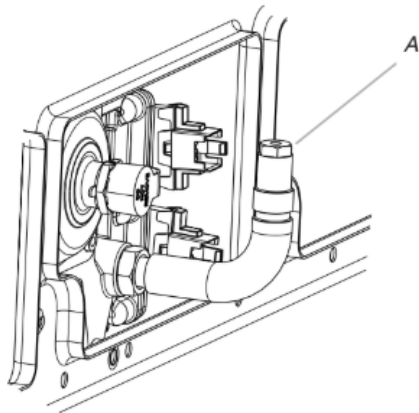


- A. Screws
- B. Bake burner

6. Using a 3/8" (9.5 mm) nut driver or combination wrench, turn the Propane gas bake burner orifice spud counterclockwise to remove. The spud will be stamped with a "56."

- Replace the “56” spud with a “47” spud. Install the Natural gas bake burner orifice spud, turning it clockwise until snug.

IMPORTANT: Do not overtighten.



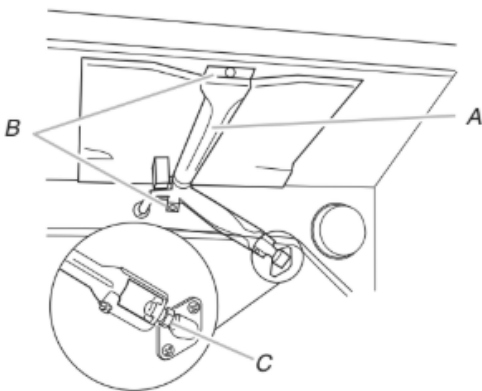
A. Orifice spud

- Position the back of the bake burner over the oven orifice, and slide the tab on front of the bake burner into the front of the oven.
- Reattach the bake burner with 1 screw.
- Position the front of the oven bottom panel toward the front frame, and then lower the rear of the oven bottom panel into the oven.
- Reattach the oven bottom panel with 2 screws.

To Convert Oven Broil Burner (Propane Gas to Natural Gas)

- Remove the screw from the broil burner
- Remove the broil burner from the broil burner orifice hood.

NOTE: The broil burner will hang in the back of the oven while changing the orifice hood.

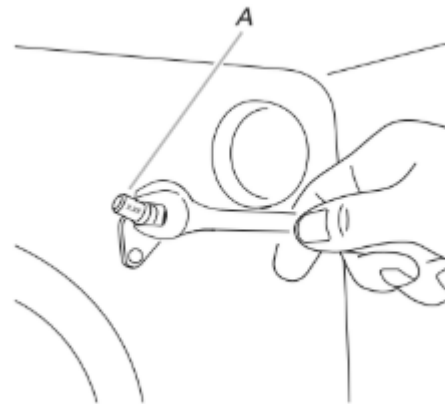


A. Broil burner
B. Screws
C. Orifice hood

- Using a 3/8" (9.5 mm) combination wrench, turn the Propane gas broil burner orifice hood counterclockwise to remove. The hood will be stamped with a “100”.

- Replace the “100” hood with a “155” hood. Install the Natural gas broiler burner orifice hood, turning it clockwise until snug.

IMPORTANT: Do not overtighten.



A. Orifice hood

- Place the broil burner on the broil burner orifice hood and insert the broil burner ceramic igniter in the hole in the rear of the oven.
- Position the broil burner against the top of the oven and attach it with 2 screws.
- Replace storage drawer or warming drawer. See the “Storage Drawer” or “Warming Drawer or Premium Storage Drawer” section.
- Replace the oven door. See the “Oven Door” section.
- Replace the oven racks.

Complete Installation (Propane Gas to Natural Gas)

- Refer to the “Make Gas Connection” section for properly connecting the range to the gas supply.
- Refer to the “Electronic Ignition System” section for proper burner ignition, operation and burner flame adjustments.
IMPORTANT: You may have to adjust the “LO” setting for each cooktop burner.
Checking for proper cooktop, bake and broil burner flame is very important. The small inner cone should have a very distinct blue flame 1/4" (6.4 cm) to 1/2" (1.3 cm) long. The outer cone is not as distinct as the inner cone. Propane gas flames have a slightly yellow tip.
- Refer to “Complete Installation” in the “Installation Instructions” section of this manual to complete this procedure.
NOTE: Make sure to save the orifices that have just been replaced in the conversion.

Moving the Range

!WARNING



Tip Over Hazard

A child or adult can tip the range and be killed.

Install anti-tip bracket to floor or wall per installation instructions.

Slide range back so rear range foot is engaged in the slot of the anti-tip bracket.

Re-engage anti-tip bracket if range is moved.

Do not operate range without anti-tip bracket installed and engaged.

Failure to follow these instructions can result in death or serious burns to children and adults.

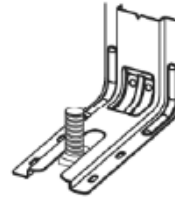
When moving range, slide range onto cardboard or hardboard to avoid damaging the floor covering.

If removing the range is necessary for cleaning or maintenance:

For power supply cord-connected ranges:

1. Slide range forward.
2. Turn manual shutoff valve to the closed position.
3. Unplug the power supply cord.
4. Disconnect the gas supply tubing.
5. Complete cleaning or maintenance.

6. Reconnect the gas supply tubing.
7. Open the manual shutoff valve in the gas supply line.
8. Plug in power supply cord.
9. Slide range back so rear range foot is under anti-tip bracket.



10. Refer to the “Verify Anti-Tip Bracket Is Installed and Engaged” section to verify engagement.
11. Check that range is level.

SÉCURITÉ DE LA CUISINIÈRE

AVERTISSEMENT : Si les renseignements dans ces instructions ne sont pas exactement observés, un incendie ou une explosion peut survenir, causant des dommages au produit, des blessures ou un décès.

- Ne pas entreposer ni utiliser de l'essence ou d'autres vapeurs ou liquides inflammables à proximité de cet appareil ou de tout autre appareil électroménager.
- **QUE FAIRE DANS LE CAS D'UNE ODEUR DE GAZ :**
 - Ne pas tenter d'allumer un appareil.
 - Ne pas toucher à un commutateur électrique.
 - Ne pas utiliser le téléphone se trouvant sur les lieux.
 - Appeler immédiatement le fournisseur de gaz à partir du téléphone d'un voisin. Suivre ses instructions.
 - À défaut de joindre votre fournisseur de gaz, appeler les pompiers.
- L'installation et l'entretien doivent être effectués par un installateur qualifié, une agence de service ou le fournisseur de gaz.

 **AVERTISSEMENT :**

Ne jamais faire fonctionner la surface de cuisson de la partie supérieure de cet appareil sans surveillance.

- Ne pas respecter cet énoncé de mise en garde peut provoquer un risque d'incendie, d'explosion ou de brûlure pouvant causer des dommages à la propriété, des blessures ou un décès.
- Si un incendie se produit, rester à distance de l'appareil et appeler immédiatement les pompiers.

NE JAMAIS ESSAYER D'ÉTEINDRE UN FEU D'HUILE/DE GRAISSE AVEC DE L'EAU.

La cuisinière ne basculera pas pendant une utilisation normale. Cependant, la cuisinière peut basculer, si vous appliquez trop de force ou de poids à la porte de la cuisinière, sans avoir adéquatement fixé le pied antibasculément.

⚠ AVERTISSEMENT

Risque de basculement

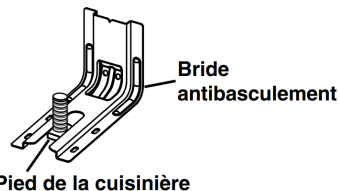
Une personne, enfant ou adulte, peut faire basculer la cuisinière et subir des blessures mortelles. Fixer la bride antibasculément au plancher ou au mur, conformément aux instructions d'installation.

Faire glisser de nouveau la cuisinière de façon à ce que son pied arrière se trouve dans la fente de la bride antibasculément.

Joindre de nouveau la bride antibasculément si la cuisinière est déplacée.

Ne pas faire fonctionner la cuisinière si la bride antibasculément n'est pas installée et engagée.

Le non-respect de ces instructions peut causer un décès ou des brûlures graves aux enfants et aux adultes.



Pour vérifier que la bride antibasculément est bien installée et engagée :

- Faire glisser la cuisinière vers l'avant.
- Vérifier que la bride antibasculément est bien fixée au plancher ou au mur.
- Faire glisser de nouveau la cuisinière de façon à ce que le pied arrière de la cuisinière se trouve sous la bride antibasculément.
- Voir les directives d'installation pour obtenir de plus amples renseignements.

AVERTISSEMENT : L'odorat ne permet pas toujours la détection d'une fuite de gaz.

Les distributeurs de gaz recommandent l'emploi d'un détecteur de gaz (homologation UL ou CSA).

Pour d'autre information, contacter le fournisseur de gaz local.

En cas de détection d'une fuite de gaz, exécuter les instructions "Que faire dans le cas d'une odeur de gaz".

Votre sécurité et celle des autres est très importante

Nous donnons de nombreux messages de sécurité importants dans ce manuel et sur votre appareil ménager. Assurez-vous de toujours lire tous les messages de sécurité et de vous y conformer .



Voici le symbole d'alerte de sécurité.

Ce symbole d'alerte de sécurité vous signale les dangers potentiels de décès et de blessures graves à vous et à d'autres.

Tous les messages de sécurité suivront le symbole d'alerte de sécurité et le mot "DANGER" ou "AVERTISSEMENT". Ces mots signifient :

⚠ DANGER

Risque possible de décès ou de blessure grave si vous ne suivez pas immédiatement les instructions.

⚠ AVERTISSEMENT

Risque possible de décès ou de blessure grave si vous ne suivez pas les instructions.

Tous les messages de sécurité vous diront quel est le danger potentiel et vous disent comment réduire le risque de blessure et ce qui peut se produire en cas de non-respect des instructions.

IMPORTANT : Ne pas installer un système de ventilation avec évacuation de l'air vers le bas, qui évacuerait l'air vers cet appareil de cuisson à gaz. Ce type de système de ventilation peut causer des problèmes d'allumage et de combustion avec cet appareil de cuisson à gaz et entraîner des blessures corporelles ou le fonctionnement non désiré de cet appareil.

Dans l'État du Massachusetts, les instructions d'installation suivantes sont applicables :

- Les travaux d'installation et réparation doivent être exécutés par un plombier ou tuyauteur qualifié ou licencié, ou par le personnel qualifié d'une entreprise licenciée par l'État du Massachusetts.
- Remplacer par des dispositifs de fermeture acceptables : Les robinets de gaz et robinets à bille installés pour l'utilisation devraient être indiqués.
- Si un conduit de raccordement flexible est utilisé, sa longueur ne doit pas dépasser 4 pi (121,9 cm).

IMPORTANTES INSTRUCTIONS DE SÉCURITÉ

AVERTISSEMENT : Afin de réduire le risque d'incendie, de décharge électrique ou de blessures lors de l'utilisation de l'appareil, il convient d'observer certaines précautions fondamentales, notamment :

- **AVERTISSEMENT** : POUR MINIMISER LE RISQUE DE BASCULEMENT DE LA CUISINIÈRE, ELLE DOIT ÊTRE BIEN IMMOBILISÉE PAR DES DISPOSITIFS ANTIBASCULEMENT CORRECTEMENT INSTALLÉS. POUR VÉRIFIER SI LES DISPOSITIFS SONT CORRECTEMENT INSTALLÉS, GLISSER LA CUISINIÈRE VERS L'AVANT ET VÉRIFIER SI LA BRIDE ANTIBASCULEMENT EST BIEN FIXÉE AU PLANCHER OU AU MUR, ET GLISSER LA CUISINIÈRE VERS L'ARRIÈRE POUR QUE LE PIED ARRIÈRE DE LA CUISINIÈRE SOIT SOUS LA BRIDE ANTIBASCULEMENT.
- **AVERTISSEMENT**
NE JAMAIS utiliser cet appareil comme dispositif de chauffage de la pièce. Le non-respect de cette instruction peut entraîner une intoxication au monoxyde de carbone et une surchauffe du four.
- **AVERTISSEMENT**
NE JAMAIS couvrir les fentes, trous ou passages d'air au fond du four ou couvrir entièrement une grille avec des matériaux tels que du papier d'aluminium. Le non-respect de cette instruction empêche la circulation de l'air dans le four et peut entraîner une intoxication au monoxyde de carbone. Les feuilles de papier d'aluminium peuvent également retenir la chaleur et créer un risque d'incendie.
- **MISE EN GARDE** : Ne pas ranger d'articles pouvant intéresser les enfants dans les armoires situées au-dessus d'un appareil ou sur dossier de la appareil – les enfants grimpan sur la appareil pour atteindre des articles peuvent gravement se blesser.
- Ne pas laisser les enfants seuls – Les enfants ne doivent pas être laissés seuls ou sans surveillance dans la zone où la appareil est utilisé. Ils ne doivent jamais être autorisés à s'asseoir ou à se tenir debout sur une partie quelconque de la appareil.
- Porter des vêtements adaptés – Les vêtements pendants ou non ajustés ne doivent jamais être portés lorsqu'on utilise la cuisinière.
- Entreposage dans ou sur la appareil – Les matières inflammables ne doivent pas être entreposées dans un four ou près de la surface de la table.
- Cet appareil n'est pas conçu pour servir d'espace de rangement.
- Ne pas utiliser d'eau sur les feux de friture – Éteindre le feu ou la flamme ou utiliser un extincteur avec agent chimique sec ou mousseux.
- Entretien par l'utilisateur – Ne pas réparer ou remplacer une quelconque pièce de la appareil sans recommandation spécifique du manuel. Toutes les autres tâches d'entretien doivent être effectuées par un technicien qualifié.
- Utiliser uniquement des mitaines sèches – Les mitaines humides ou trempées sur les surfaces chaudes peuvent provoquer des brûlures dues à la vapeur. Ne pas laisser les mitaines toucher des unités de surface et chauds. Ne pas utiliser un chiffon ou tout autre tissu encombrant.
- Ne jamais laisser les surfaces de cuisson sans surveillance à des réglages de chaleur élevée – Les ébullitions provoquent de la fumée et des éclaboussures grasses qui peuvent s'enflammer.
- Ustensiles de cuisson émaillés – seuls certains types d'ustensiles en verre, vitrocéramique, céramique, terre cuite ou autre émaillage peuvent être utilisés sur la surface de la cuisinière sans briser en raison du changement de température soudain.
- Les poignées des ustensiles doivent être tournées vers l'intérieur et ne doivent pas dépasser au-dessus des unités de surface de cuisson – Pour éviter le risque de brûlures, d'inflammation des matières inflammables et d'éclaboussures dues à un contact non intentionnel avec l'ustensile, la poignée d'un ustensile doit toujours être positionnée vers l'intérieur et ne doit pas dépasser au-dessus des surfaces de cuisson adjacentes.
- Déconnecter la source de courant électrique avant l'entretien.
- Cet appareil est pourvu d'une fiche à trois broches don't une mise à la terre assurant une protection contre les chocs électriques. La prise dans laquelle elle est branchée doit être correctement mise à la terre. Ne pas couper ni enlever la broche de mise à la terre de la fiche.
- Installation conforme – L'appareil, lors de son installation, doit être correctement relié à la terre en conformité avec les codes locaux en vigueur, ou en l'absence de tels codes, avec le National Electrical Code, ANSI/NFPA 70 ou le Code canadien des installations électriques, CSA C22.1-02. Au Canada, l'appareil doit être relié à la terre en respectant le Code canadien de l'électricité. S'assurer que l'appareil est bien installé et que la mise à la terre est réalisée par un technicien qualifié.
- Des blessures peuvent résulter d'un mauvais usage des portes ou tiroirs de l'appareil – par exemple, marcher, s'appuyer ou s'asseoir sur les portes ou tiroirs.
- Entretien – Maintenir la zone de la cuisinière à l'abri des matériaux combustibles, essence ou autres vapeurs ou liquides inflammables.

CONSERVEZ CES INSTRUCTIONS

IMPORTANTES INSTRUCTIONS DE SÉCURITÉ

- La taille de la flamme du brûleur supérieur doit être ajustée de façon à ne pas dépasser du bord de l'ustensile de cuisson. Cette instruction est basée sur des considérations de sécurité.
 - Ne pas utiliser de pièces de remplacement qui n'ont pas été recommandées par le fabricant (c.-à-d., des pièces fabriquées à la maison à l'aide d'une imprimante 3D).
 - Nettoyer la table de cuisson avec précaution – Si une éponge ou un linge humide est utilisé pour nettoyer les éclaboussures sur une zone de cuisson chaude, faire attention aux brûlures dues à la vapeur. Certains nettoyants peuvent produire des fumées toxiques si appliqués sur une surface chaude.
 - Ouvrir la porte lentement – Laisser la chaleur ou la vapeur s'échapper avant de retirer ou de remettre en place un plat.
 - Ne pas faire chauffer un contenant qui n'a pas été ouvert – L'accumulation de pression pourrait faire éclater le contenant et causer des blessures.
 - Garder dégagés les conduits de ventilation du four.
 - **NE PAS TOUCHER LES ÉLÉMENTS CHAUFFANTS OU LES SURFACES INTÉRIEURES DU FOUR** – Les éléments chauffants peuvent être chauds même s'ils sont de couleur foncée. Les surfaces intérieures du four peuvent être suffisamment chaudes pour provoquer des brûlures. Pendant et après l'utilisation, ne pas toucher ou laisser des vêtements ou d'autres matériaux inflammables en contact avec les éléments chauffants ou les surfaces intérieures tant qu'ils n'ont pas suffisamment refroidi. Les autres surfaces de l'appareil peuvent devenir suffisamment chaudes pour causer des brûlures – les ouvertures de ventilation et les surfaces autour de ces ouvertures, les portes du four et les hublots de portes font partie de ces surfaces.
 - Il faut faire attention de ne pas laisser le papier aluminium et la sonde de cuisson entrer en contact avec les éléments chauffants.
- Pour les cuisinières autonettoyantes –**
- Ne pas nettoyer le joint – Le joint est essentiel pour une bonne étanchéité. Faire attention à ne pas frotter, endommager ou déplacer le joint.
 - Ne pas utiliser de nettoyants à four – Aucun nettoyant commercial ou revêtement de protection pour four d'aucune sorte ne devrait être utilisé dans le four ou près de ses parties.
 - Ne nettoyer que les pièces indiquées dans le manuel.
 - Avant de mettre en marche l'autonettoyage – Enlever la lèchefrite et les autres ustensiles. Essuyer tout excès de renversement avant de commencer un programme de nettoyage.
- Pour les appareils avec hotte de ventilation –**
- Nettoyer régulièrement les hottes de ventilation – Ne pas laisser la graisse s'accumuler dans la hotte ou le filtre.
 - Lorsque des aliments sont flambés sous la hotte, mettre le ventilateur en marche.
- Pour les cuisinières et fours intelligents :**
- Utilisation à distance – cet appareil peut être configuré pour permettre l'utilisation à distance en tout temps. Ne pas ranger de matériaux inflammables ou sensibles à la température sur le dessus ou près de la surface de l'appareil.

CONSERVEZ CES INSTRUCTIONS

ENTRETIEN ET RÉPARATION DE LA CUISINIÈRE

Nettoyage général

IMPORTANT : Avant le nettoyage, s'assurer que toutes les commandes sont éteintes et que le four et la table de cuisson sont froids. Toujours suivre les instructions figurant sur les étiquettes des produits de nettoyage.

Du savon, de l'eau et un chiffon doux ou une éponge sont recommandés, à moins d'indications contraires.

SURFACES EN ÉMAIL VITRIFIÉ UNIQUEMENT (sur certains modèles)

Les éclaboussures alimentaires acides, telles que vinaigre et tomate, doivent être nettoyées dès que la cuisinière a refroidi. Ces salissures peuvent endommager le fini.

Méthode de nettoyage :

- Nettoyant à vitre, nettoyant doux liquide ou tampon à récurer non abrasif : Nettoyer doucement autour de la plaque signalétique car le frottement pourrait en effacer les chiffres.
- Nettoyant pour cuisine et appareils ménagers affresh®[†] référence W10355010 (non fourni) : Consulter le Guide de démarrage rapide pour les informations de commande.

ACIER INOXYDABLE (sur certains modèles)

REMARQUE : Afin d'éviter d'endommager les surfaces en acier inoxydable, ne pas utiliser de tampons à récurer savonneux, de nettoyants abrasifs, de crème à polir pour table de cuisson, de tampons en laine d'acier, de chiffons de lavage rêches ou d'essuie-tout abrasifs. Ils peuvent endommager les surfaces en acier inoxydable, même après usage unique ou limité.

Méthode de nettoyage :

- Frotter dans la direction du grain pour éviter les dommages.
- Nettoyant pour acier inoxydable affresh® référence W10355016 (non fourni) : Consulter le Guide de démarrage rapide pour les informations de commande.

PEINTURE MÉTALLIQUE (sur certains modèles)

Ne pas utiliser de nettoyants abrasifs, de nettoyants avec agent de blanchiment, de produits antirouille, d'ammoniaque ou d'hydroxyde de sodium (soude), car la surface peinte pourrait se tacher.

GRILLES ET CHAPEAUX ÉMAILLÉS

Les renversements d'aliments contenant des produits acides, tels que vinaigre et tomates, doivent être nettoyés dès que la table de cuisson, les grilles et les chapeaux ont refroidi. Ces salissures peuvent endommager le fini.

Pour éviter l'écaillage, ne pas entrechoquer les grilles et les chapeaux ni les frapper contre des surfaces dures telles que les ustensiles en fonte.

Ne pas réinstaller les chapeaux sur les brûleurs lorsqu'ils sont mouillés. Ne pas utiliser le programme d'autonettoyage pour les nettoyer.

Méthode de nettoyage :

- Ustensile de récurage en plastique non abrasif et nettoyant légèrement abrasif : Nettoyer dès que la table de cuisson, les grilles et les chapeaux ont refroidi.

- Lave-vaisselle (grilles seulement, pas les chapeaux) : Utiliser le programme le plus intensif. Les saletés cuites doivent être trempées ou frottées avant d'être placées au lave-vaisselle.

Bien que les grilles de brûleurs soient durables, elles perdront progressivement de leur lustre et (ou) se décoloreront lorsqu'on les lave au lave-vaisselle.

- Nettoyant pour grille et plateau d'égouttement – Pièce n° 31617 (non fourni) : Consulter le Guide de démarrage rapide pour les informations de commande.

BRÛLEURS DE SURFACE

Les renversements d'aliments contenant des produits acides, tels que vinaigre et tomates, doivent être nettoyés dès que la table de cuisson, les grilles et les chapeaux ont refroidi. Ces salissures peuvent endommager le fini.

Pour éviter l'écaillage, ne pas entrechoquer les grilles et les chapeaux ni les frapper contre des surfaces dures telles que les ustensiles en fonte.

Ne pas réinstaller les chapeaux sur les brûleurs lorsqu'ils sont mouillés.

Ne pas utiliser le programme d'autonettoyage pour les nettoyer.

Ne pas nettoyer au lave-vaisselle.

Méthode de nettoyage :

- Ustensile de récurage en plastique non abrasif et nettoyant légèrement abrasif : Nettoyer dès que la table de cuisson, les grilles, les brûleurs et les chapeaux ont refroidi.
- Nettoyant pour plateau d'égouttement et grille de cuisinière à gaz (non fourni).

COMMANDES DE LA TABLE DE CUISSON

Afin d'éviter d'endommager les commandes de la table de cuisson, ne pas utiliser de laine d'acier, de nettoyants abrasifs ou de nettoyant pour four.

Afin d'éviter tout dommage, ne pas immerger les boutons de commande. Lors de la réinstallation des boutons, s'assurer que chaque bouton est à la position OFF (arrêt).

Sur certains modèles, ne pas enlever les joints sous les boutons.

Méthode de nettoyage :

- Savon et eau : Tirer les boutons directement hors du tableau de commande pour les enlever.

TABLEAU DE COMMANDE ET EXTÉRIEUR DE LA PORTE DU FOUR

Afin d'éviter d'endommager le tableau de commande, ne pas utiliser de nettoyants abrasifs, de tampons en laine d'acier, de chiffons de lavage rêches ou d'essuie-tout abrasifs.

Méthode de nettoyage :

- Nettoyant à vitre et chiffon doux ou éponge : Appliquer le nettoyant à vitre sur un chiffon doux ou une éponge, et non pas directement sur le tableau.
- Nettoyant pour cuisine et appareils ménagers affresh® – Pièce n° W10355010 (non fournie) : Consulter le Guide de démarrage rapide pour les informations de commande.

[†] Affresh est une marque déposée de Whirlpool, É.-U.

GRILLES DU FOUR

Méthode de nettoyage :

- Tampon en laine d'acier
- Pour les grilles ternies qui glissent difficilement, appliquer une légère couche d'huile végétale sur les glissières; cela facilitera leur glissement.
- Lave-vaisselle (réservoir à eau de la grille d'étuvage uniquement, pas les grilles) : Bien que le réservoir à eau soit résistant, il peut perdre de son lustre et/ou décolorer s'il est lavé au lave-vaisselle.

TIROIR DE REMISAGE OU TIROIR-RÉCHAUD (sur certains modèles)

S'assurer que le tiroir est froid et vide avant le nettoyage.

Méthode de nettoyage :

- Détergent doux

CAVITÉ DU FOUR

Ne pas utiliser de nettoyants à four.

Les renversements alimentaires doivent être nettoyés lorsque le four a refroidi. À des températures élevées, les aliments réagissent avec la porcelaine et cette réaction peut entraîner la formation de taches, d'un film de silice, de piqûres ou de légères taches blanches.

Méthode de nettoyage :

- Programme de nettoyage : Voir la section "Programme de nettoyage".

Programme de nettoyage

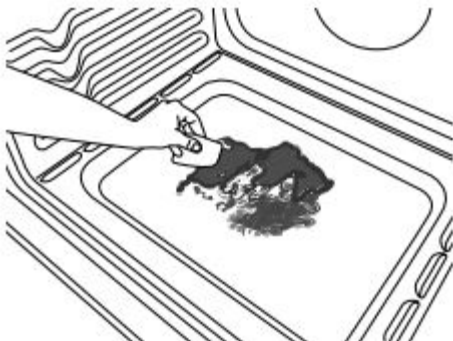


La technologie AquaLift® est une solution de nettoyage novatrice qui utilise la chaleur et l'eau pour débarrasser le four des produits renversés cuits en moins d'une heure. Cette nouvelle technologie de nettoyage est une alternative à basse température et sans odeurs aux options traditionnelles de nettoyage automatique.

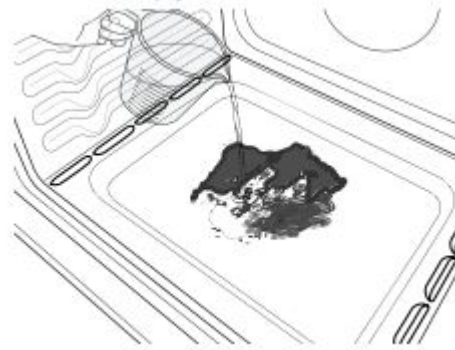
Laisser le four refroidir et atteindre la température ambiante avant d'utiliser le programme de nettoyage. Si la température de la cavité du four est supérieure à 200 °F (93 °C), "Oven Cooling" (refroidissement du four) apparaît sur l'afficheur et le programme de nettoyage ne s'activera pas avant que la cavité ait refroidi.

Nettoyage :

1. Retirer toutes les grilles et tous les accessoires de la cavité du four et essuyer l'excès de saleté. Utiliser un grattoir en plastique pour enlever les saletés faciles à enlever.

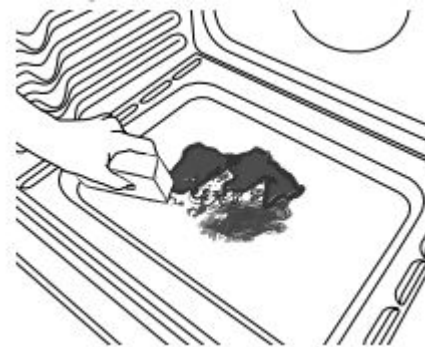


2. Verser 1 3/4 (14 oz [414 mL]) d'eau distillée ou filtrée dans le fond du four vide et fermer la porte du four.



IMPORTANT : Ne pas utiliser des produits chimiques ou d'autres additifs avec l'eau. Ne pas ouvrir la porte du four au cours du programme de nettoyage. L'eau au fond du four est chaude.

3. Appuyer sur CLEAN (nettoyage)/AQUALIFT SELF CLEAN (autonettoyage Aqualift) et ensuite sur START (mise en marche) sur le tableau de commande du four.
4. Accorder 40 minutes pour le nettoyage et le refroidissement. Un signal sonore vous avertit lorsque le programme de nettoyage est terminé.
5. Appuyer sur OFF (annulation)/CANCEL (annulation)/CANCEL UPPER (annulation du four supérieur) à la fin du programme. On peut appuyer sur Off (annulation)/Cancel (annulation)/Cancel Upper (annulation du four supérieur) à tout moment pour arrêter le programme d'autonettoyage.
6. Enlever l'eau résiduelle et les saletés délogées avec une éponge ou un chiffon immédiatement après la fin du programme de nettoyage. La plupart de l'eau initiale contenue dans 1 3/4 tasse (14 oz [414 mL]) restera dans le four après la fin du programme de nettoyage. S'il reste encore des saletés, laisser une petite quantité d'eau au fond du four pour aider le nettoyage.



7. S'il reste des saletés, les enlever avec une éponge à gratter douce ou un grattoir en plastique. Des programmes de nettoyage supplémentaires peuvent être lancés pour aider à se débarrasser des saletés tenaces.

IMPORTANT : Ne pas utiliser de nettoyants à four. L'utilisation de produits chimiques, y compris les nettoyants à four qu'on trouve sur le marché, ou des tampons à récurer métalliques, pourrait causer des dommages permanents à la surface en porcelaine qui se trouve à l'intérieur du four.

REMARQUE :

- La cuisinière doit être d'aplomb de façon à s'assurer que la surface du fond de la cavité du four est couverte par l'eau au début du programme de nettoyage.
- Pour des résultats optimaux, utiliser de l'eau distillée ou filtrée. L'eau du robinet pourrait laisser des dépôts minéraux sur le fond du four.
- Avant d'enlever l'eau résiduelle et les saletés délogées à la fin du programme de nettoyage, insérer un chiffon ou un essuie-tout entre l'extrémité inférieure de la porte du four et l'avant du châssis, afin d'empêcher l'eau de se déverser sur le devant de la cuisinière et le plancher.
- Les saletés cuites à travers plusieurs programmes de cuisson seront plus difficiles à enlever avec le programme de nettoyage.
- Les éponges à gratter non abrasives ou les tampons nettoyeurs en gomme (sans nettoyant) peuvent être efficaces pour le nettoyage des parois de la cavité du four, de la porte du four et du fond du four pour les saletés difficiles. Pour de meilleurs résultats, mouiller les tampons et les éponges avant de les utiliser.
- Exécuter un programme de nettoyage supplémentaire pour les saletés tenaces.
- Le nettoyant pour cuisine et appareils ménagers affresh® et le nettoyant pour table de cuisson affresh® peuvent être utilisés pour nettoyer le fond du four, ses parois et sa porte lorsque le four a terminé le programme de nettoyage et que sa température est redevenue ambiante. Si l'on utilise le nettoyant pour table de cuisson affresh®, il est recommandé d'essuyer aussi la cavité avec de l'eau distillée. Consulter le Guide de démarrage rapide pour les informations de commande.
- Des ensembles de nettoyage de technologie AquaLift® supplémentaires peuvent être obtenus en commandant la pièce numéro W10423113RP. Consulter le Guide de démarrage rapide pour les informations de commande.

INSTRUCTIONS D'INSTALLATION

EXIGENCE

Outils et pièces

Avant d'entreprendre l'installation, rassembler tous les outils et le matériel nécessaires. Lire et suivre les instructions fournies avec les outils indiqués ici.

Outils nécessaires

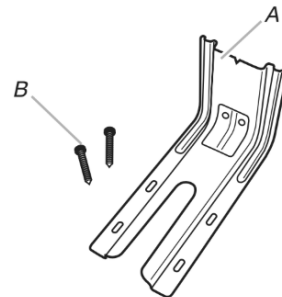
- Ruban à mesurer
- Tournevis à lame plate
- Tournevis Phillips
- Tournevis à lame plate de 1/8 po (3 mm)
- Niveau
- Perceuse manuelle ou électrique
- Marteau
- Clé ou pince
- Clé à tuyauterie
- Clé mixte de 15/16 po
- Clé à cliquet de 1/4 po
- Tourne-écrou de 3/8 po
- Foret de 1/8 po (pour plancher de bois)
- Crayon ou marqueur
- Composé d'étanchéité des raccords filetés résistant au propane
- Solution non corrosive de détection des fuites
- Foret à maçonnerie à pointe carburée de 3/16 po (4,8 mm)
(pour planchers en béton/céramique)
(Pour les cuisinières avec commandes encastrées/à l'avant)

Pour la conversion pour l'alimentation au gaz propane/ gaz naturel

- Clé mixte de 3/8 po
- Clé mixte de 1/2 po
- Clé mixte de 5/8 po
- Tourne-écrou 9/32 po
- Tournevis Quadrex®+ ou Phillips
- Ruban adhésif de masquage
- Tourne-écrou 3/8 po
(Pour les cuisinières avec commandes encastrées/à l'avant)

Pièces fournies

Vérifier la présence de toutes les pièces.



A. Bride antibasculement
B. #12 x 1 5/8 po (4,1 cm) Vis (2)

La bride antibasculement doit être bien fixée au plancher ou au mur. L'épaisseur du plancher peut nécessiter des vis plus longues pour l'ancrage de la bride au plancher.

Pièces nécessaires

Consulter les codes locaux en vigueur et le fournisseur de gaz. Déterminer les caractéristiques des sources disponibles d'électricité et gaz. Voir "Spécifications électriques" et "Spécifications de l'alimentation en gaz".

REMARQUE: S'assurer d'acheter uniquement des pièces et des accessoires Whirlpool certifiés par le fabricant de l'appareil. Il se peut que l'installation nécessite des pièces supplémentaires. Pour commander, consulter les coordonnées indiquées dans le guide de démarrage rapide.

†® QUADREX est une marque enregistrée de NLW Holdings, Inc.

Exigences d'emplacement

IMPORTANT : Observer les dispositions de tous les codes et règlements en vigueur. Ne pas obstruer le flux de combustion et de ventilation.

- C'est à l'installateur qu'incombe la responsabilité de respecter les distances de séparation exigées, spécifiées sur la plaque signalétique de l'appareil. La plaque signalétique se trouve sur le châssis du four, derrière le côté supérieur droit de la porte du four.
- La cuisinière doit être installée à un endroit pratique dans la cuisine.
- Dans le cas d'une cuisinière encastrée, l'enceinte doit recouvrir complètement les côtés et l'arrière de la cuisinière.
- Toutes les ouvertures dans le mur ou le plancher de l'emplacement d'installation de la cuisinière doivent être scellées.
- Respecter les dimensions indiquées pour les ouvertures à découper dans les placards. Ces dimensions constituent les valeurs minimales des dégagements.
- Pour l'installation de la bride antibasculement fournie avec la cuisinière, voir la section "Installation de la bride antibasculement".
- Une source d'électricité avec liaison à la terre est nécessaire. Voir la section "Spécifications électriques".
- Un raccordement adéquat à l'alimentation en gaz doit être disponible. Voir la section "Spécifications de l'alimentation en gaz".
- Contacter un installateur de revêtement de sol qualifié, qui pourra déterminer si le revêtement de sol peut résister à une température d'au moins 200 °F (93 °C).
- Dans le cas de l'installation de la cuisinière sur une moquette, placer sous la cuisinière un tapis isolant ou une plaque de contreplaqué de 1/4 po (6,4 mm).

IMPORTANT : Afin d'éviter d'endommager les placards, consulter le constructeur de la maison ou le fabricant des placards pour déterminer si les matériaux utilisés peuvent subir un changement de couleur, une déstratification ou d'autres dommages. Ce four a été conçu conformément aux exigences des normes UL et CSA International et respecte les températures maximales permises de 194 °F (90 °C) pour les placards en bois.

Résidence mobile – Spécifications additionnelles à respecter lors de l'installation

L'installation de cette cuisinière doit être conforme aux dispositions de la norme Manufactured Home Construction and Safety Standard, Title 24 CFR, Part 3280 (anciennement Federal Standard for Mobile Home Construction and Safety, Title 24, HUD Part 280). Lorsque cette norme n'est pas applicable, l'installation doit satisfaire aux critères de la norme Standard for Manufactured Home Installations, ANSI A225.1/NFPA 501A ou aux dispositions des codes locaux.

Au Canada, l'installation de cette cuisinière doit satisfaire aux stipulations de la version la plus récente de la norme CAN/CSA-Z240.1 ou des codes locaux en vigueur.

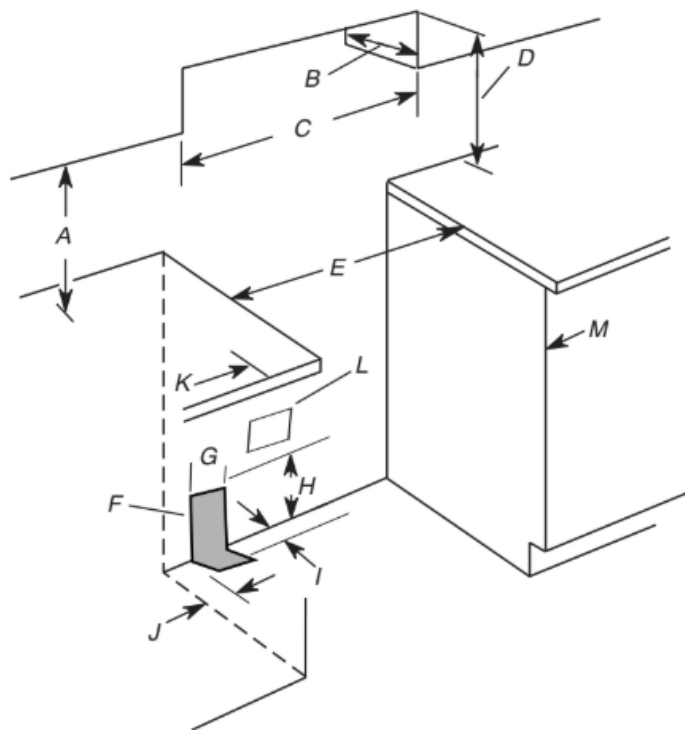
Autres critères à respecter pour une installation en résidence mobile :

- Dans le cas de l'installation de cette cuisinière dans une résidence mobile, toute méthode de fixation de la cuisinière est adéquate dans la mesure où elle respecte les instructions du présent manuel.

Dimensions du placard

Les dimensions de l'espace d'installation entre les placards sont valides pour l'installation entre des placards de 25 po (64,0 cm) de profondeur avec plan de travail de 24 po (61,0 cm) de profondeur et 36 po (91,4 cm) de hauteur.

IMPORTANT : En cas d'installation d'une hotte ou d'un ensemble hotte/micro-ondes au-dessus de la cuisinière, suivre les instructions d'installation fournies avec la hotte concernant les dimensions de dégagement à respecter au-dessus de la surface de la table de cuisson.



- A. 18 po (45,7 cm) entre le placard latéral supérieur et le plan de travail
- B. Profondeur maximale des placards supérieurs : 13 po (33 cm)
- C. Largeur de l'ouverture 30 po (76,2 cm) minimale
- D. Pour le dégagement minimal vers la partie supérieure de la table de cuisson, voir la REMARQUE*
- E. Largeur minimale de l'ouverture : 30 po (76,2 cm)
- F. Il est recommandé d'effectuer l'installation de la canalisation de gaz rigide dans les zones grisées.
- G. 11 po (27,9 cm)
- H. 17 po (43,2 cm)
- I. 2 po (5,1 cm)
- J. 4 1/2 po (11,4 cm)
- K. Dégagement minimal de 3 po (7,6 cm) entre les deux côtés de la cuisinière et la paroi latérale ou d'autres matériaux combustibles.
- L. Prise reliée à la terre
- M. Ni la porte, ni les charnières du placard ne doivent dépasser à l'intérieur de l'ouverture.

***REMARQUE :** Distance de séparation minimale de 24 po (61 cm) lorsque le fond d'un placard de bois ou de métal est protégé par une planche ignifugée d'au moins 1/4 po (0,64 cm) recouverte d'une feuille métallique d'épaisseur égale ou supérieure à : acier calibre 28 MSG, acier inoxydable 0,015 po (0,4 mm), aluminium 0,024 po (0,6 mm), ou cuivre 0,020 po (0,5 mm).

Distance de séparation minimale de 30 po (76,2 cm) entre le dessus de la table de cuisson et le fond d'un placard de bois ou de métal non protégé.

Spécifications électriques

AVERTISSEMENT



Risque de choc électrique

Brancher l'appareil sur une prise à 3 alvéoles reliée à la terre.

Ne pas enlever la prise de liaison à la terre.

Ne pas utiliser d'adaptateur.

Ne pas utiliser de rallonge.

Le non-respect de ces instructions peut causer un décès, un incendie ou un choc électrique.

IMPORTANT : La cuisinière doit être électriquement reliée à la terre conformément aux prescriptions des codes et règlements locaux; en l'absence de code local, respecter les prescriptions du code national en vigueur : National Electrical Code, ANSI/ NFPA 70, ou Code canadien de l'électricité, CSA C22.1.

Cette cuisinière est dotée d'un système d'allumage électronique qui ne fonctionnera pas en cas de branchement dans une prise qui n'est pas correctement polarisée.

Si un conducteur distinct de liaison à la terre est utilisé (lorsque le code en vigueur le permet), on recommande qu'un électricien qualifié vérifie la qualité de la liaison à la terre.

On peut obtenir un exemplaire des normes du code national en vigueur à l'adresse suivante :

National Fire Protection Association
1 Batterymarch Park
Quincy, MA 02169-7471

CSA International
8501 East Pleasant Valley Road
Cleveland, OH 44131-5575

- L'appareil doit être alimenté uniquement par un circuit électrique de 120 V, CA seulement, de 60 Hz, 15 A protégé par fusibles. On recommande également l'emploi de fusibles temporisés ou disjoncteurs. On recommande que la cuisinière soit alimentée par un circuit indépendant.
- Les dispositifs d'allumage électronique peuvent fonctionner correctement dans une plage de tension d'alimentation étendue, mais il est nécessaire de respecter la polarité stipulée et d'établir une liaison à la terre adéquate. Vérifier que la prise de courant fournit une tension de 120 V et qu'elle est correctement reliée à la terre.
- Il n'est pas nécessaire de brancher cette cuisinière à gaz à une prise équipée d'un disjoncteur différentiel. Il est recommandé de ne pas brancher une cuisinière à gaz ou tout autre gros appareil électroménager à allumage électrique par étincelle dans une prise murale à disjoncteur différentiel, car ce dernier peut se déclencher lors de l'utilisation normale de l'allumeur.
- La performance de cette cuisinière ne change pas si elle est branchée à un circuit protégé par disjoncteur différentiel. Toutefois, le déclenchement intempestif du disjoncteur différentiel en utilisation normale peut se produire du fait de la nature des cuisinières à gaz à allumage électronique.
- Le schéma de câblage est situé à l'arrière de la cuisinière, dans un sachet plastique transparent.

REMARQUE : Le châssis métallique de la cuisinière doit être relié à la terre pour que le tableau de commande puisse fonctionner correctement. Si le châssis métallique de la cuisinière n'est pas relié à la terre, aucune touche du tableau de commande ne peut fonctionner. En cas de doute quant à la qualité de la liaison à la terre du châssis en métal de la cuisinière, consulter un électricien qualifié.

Spécifications de l'alimentation en gaz

AVERTISSEMENT



Risque d'explosion

Utiliser une canalisation neuve d'arrivée de gaz approuvée par la CSA International.

Installer un robinet d'arrêt.

Bien serrer chaque organe de connexion de la canalisation de gaz.

En cas de connexion au gaz propane, demander à une personne qualifiée de s'assurer que la pression de gaz ne dépasse pas 14 po (36 cm) dans la colonne d'eau.

Par personnel qualifié, on entend : personnel agréé de chauffage, personnel agréé d'une compagnie de gaz, et personnel d'entretien agréé.

Le non-respect de ces instructions peut causer un décès, une explosion ou un incendie.

Observer toutes les prescriptions des codes et règlements en vigueur.

IMPORTANT : L'installation doit satisfaire aux critères de tous les codes et règlements locaux. En l'absence de code local, l'installation doit satisfaire aux prescriptions de la plus récente édition du : National Fuel Gas Code ANSI Z223.1 (American National Standard), ou, en Canada, el Código de instalación de gas natural y propano, CSA B149.1. plus récente édition.

IMPORTANT : Les tests de fuite de la cuisinière doivent être effectués selon les instructions du fabricant. Voir la section « Achever l'installation » des « Raccordement au gaz » pour les instructions du tests de fuite.

Type de gaz

Gaz naturel :

- Cette cuisinière a été configurée à l'usine pour l'alimentation au gaz naturel. Voir la section "Conversions pour changement de gaz". La plaque signalétique située sur le châssis du four, derrière le côté supérieur droit de la porte du four indique les types de gaz utilisables. Si le type de gaz disponible n'est pas mentionné, consulter le fournisseur de gaz local.

Conversion pour l'alimentation au propane :

L'opération de conversion doit être exécutée par un technicien qualifié.

Consulter le fournisseur de gaz avant toute conversion de l'appareil pour l'utilisation d'un type de gaz qui n'est pas mentionné sur la plaque signalétique. Voir la section "Conversions pour changement de gaz".

Canalisation d'alimentation en gaz

- Installer une canalisation d'alimentation en gaz rigide de 3/4 po (1,9 cm) jusqu'à l'emplacement d'installation de la cuisinière. L'emploi d'une canalisation de plus petit diamètre ou plus longue peut susciter une déficience du débit d'alimentation. Pour l'alimentation au propane, le diamètre des canalisations doit être de 1/2 po (1,3 cm) ou plus. Généralement, le fournisseur de gaz propane détermine les matériaux à utiliser et la dimension appropriée.
- **REMARQUE :** On doit utiliser un composé d'étanchéité pour tuyauteries résistant à l'action du gaz propane. Ne pas utiliser de ruban TEFLON[†].

Raccord métallique flexible pour appareil ménager :

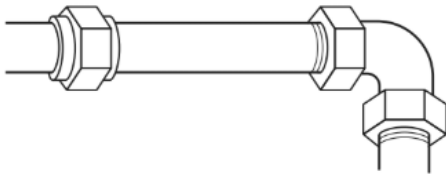
- Si les codes locaux le permettent, pour raccorder la cuisinière à la canalisation de gaz, on peut utiliser un raccord métallique flexible pour appareil ménager neuf (homologation CSA) de 4 à 5 pi (122 à 152,4 cm) de longueur, de diamètre interne de 1/2 po ou 3/4 po (1,3 ou 1,9 cm).



- Un raccord avec filetage mâle de 1/2 po (1,3 cm) est nécessaire pour la connexion sur le raccord à filetage femelle à l'entrée du détendeur de l'appareil.
- Veiller à ne pas déformer ou endommager le tube métallique flexible lors d'un déplacement de la cuisinière.

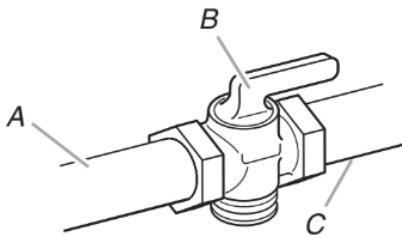
Raccordement par une canalisation rigide :

On doit utiliser une combinaison de raccords pour réaliser un raccordement rigide entre la cuisinière et la canalisation de gaz. La canalisation rigide doit se trouver au même niveau que le raccord de connexion de la cuisinière. On doit veiller à ne soumettre les sections de canalisation d'alimentation et de combustible à aucun effort de traction ou flexion, pour que la cuisinière soit d'aplomb et correctement alignée.



- Robinet d'arrêt nécessaire :

Installer un robinet d'arrêt manuelle à un emplacement facile d'accès. Ne pas bloquer l'accès au robinet d'arrêt. Le robinet permet d'alimenter et de couper l'alimentation en gaz à la cuisinière.



- A. Canalisation d'alimentation en gaz
- B. Robinet d'arrêt en position d'ouverture
- C. Vers la cuisinière

Détendeur

Le détendeur fourni avec cette cuisinière doit être utilisé. Pour un fonctionnement correct, la pression d'alimentation du détendeur doit être comme suit :

Gaz naturel :

Pression minimum : 5 po (12,7 cm) (colonne d'eau)

Pression maximum : 14 po (35,5 cm) (colonne d'eau)

Gaz propane :

Pression minimum : 11 po (27,9 cm) (colonne d'eau)

Pression maximum : 14 po (35,5 cm) (colonne d'eau)

En cas d'incertitude quant à la pression d'alimentation à établir, contacter le fournisseur de gaz local.

Débit thermique des brûleurs

Les débits thermiques indiqués sur la plaque signalétique correspondent à une altitude d'utilisation inférieure ou égale à 2000 pi (609,6 m).

Lorsque l'appareil est utilisé à une altitude supérieure à 2000 pi (609,6 m), on doit réduire le débit thermique indiqué de 4 % pour chaque tranche de 1000 pi (304,8 m) au-dessus du niveau de la mer (pas applicable au Canada).

Tests de pressurisation de la canalisation de gaz

On doit tester le détendeur sous une pression supérieure d'au moins 1 po (colonne d'eau) à la pression de la tubulure de distribution indiquée sur la plaque signalétique.

Pressurisation à une pression supérieure à 1/2 lb/po² (3,5 Kpa) (14 po [35,5 cm] - colonne d'eau)

Lors de tout test de pressurisation de ce système à une pression supérieure à 1/2 lb/po² (3,5 kPa), on doit déconnecter la cuisinière et son robinet d'arrêt individuel de la canalisation de gaz.

Pressurisation à une pression égale ou inférieure à 1/2 lb/po² (3,5 Kpa) (14 po [35,5 cm] de colonne d'eau ou moins)

Lors de tout test de pressurisation de la canalisation de gaz à une pression égale ou inférieure à 1/2 lb/po² (3,5 kPa), on doit isoler la cuisinière de la canalisation de gaz par fermeture de son robinet d'arrêt manuel individuel.

INSTALLATION

Déballage de la cuisinière

⚠ AVERTISSEMENT

Risque du poids excessif

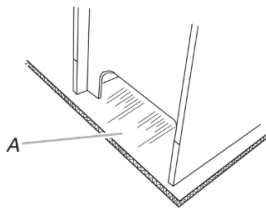
Utiliser deux personnes ou plus pour déplacer et installer ou désinstaller l'appareil.

Le non-respect de cette instruction peut causer une blessure au dos ou d'autre blessure.

1. Ôter les matériaux d'emballage, le ruban adhésif et le film protecteur de la cuisinière.
2. Retirer les grilles de four et le sachet de pièces de l'intérieur du four.

[†]TEFLON es una marca comercial registrada de Chemours.

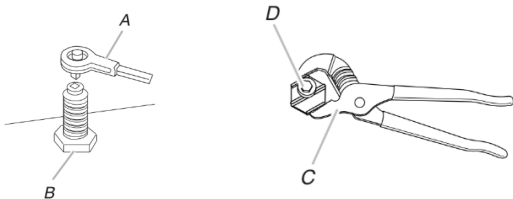
3. Ne pas enlever la base d'expédition pour l'instant.



A. Base d'expédition

4. Sur les cuisinières équipées d'un tiroir de remisage :

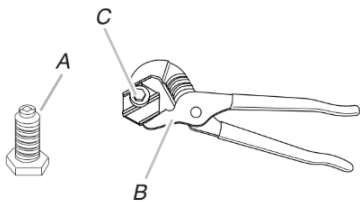
Retirer le tiroir de remisage. Voir la section "Tiroir de remisage". Déployer les pieds de nivellement arrière d'un demi-tour; utiliser une clé à cliquet de 1/4 po (6,35 cm). Déployer les pieds de nivellement avant d'un demi-tour; utiliser une clé ou une pince.



A. Clé à cliquet de 1/4 po (6,35 cm)
 B. Pied de nivellement arrière
 C. Clé ou pince
 D. Pied de nivellement avant

Sur les cuisinières équipées d'un tiroir-réchaud ou tiroir de remisage de qualité supérieure :

Sur les cuisinières équipées d'un tiroir-réchaud ou d'un tiroir de remisage de qualité supérieure, on ne peut pas accéder aux pieds arrière en retirant le tiroir-réchaud ou tiroir de remisage de qualité supérieure. Les pieds arrière doivent être réglés depuis l'extérieur de la cuisinière. Déployer les pieds de nivellement avant et arrière d'un demi-tour; utiliser une clé ou une pince.



A. Pied de nivellement arrière
 B. Clé ou pince
 C. Pied de nivellement avant

Installation de la bride antibascullement

⚠ AVERTISSEMENT



Risque de basculement

Une personne, enfant ou adulte, peut faire basculer la cuisinière et subir des blessures mortelles.

Fixer la bride antibascullement au plancher ou au mur, conformément aux instructions d'installation.

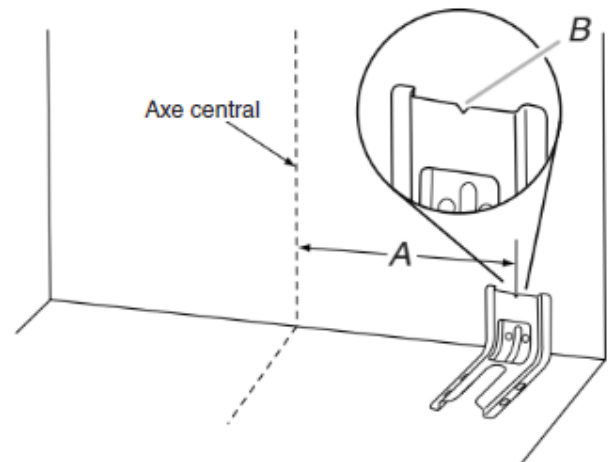
Faire glisser de nouveau la cuisinière de façon à ce que le pied arrière de la cuisinière se trouve dans la fente de la bride antibascullement.

Réengager la bride antibascullement si la cuisinière a été déplacée.

Ne pas faire fonctionner la cuisinière si la bride antibascullement n'est pas installée et engagée.

Le non-respect de ces instructions peut causer un décès ou des brûlures graves aux enfants et aux adultes.

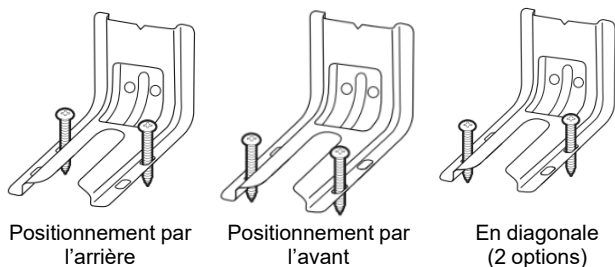
1. Ôter la bride antibascullement fixée par du ruban adhésif à l'intérieur du tiroir de remisage ou du tiroir-réchaud ou tiroir de remisage de qualité supérieure.
2. Déterminer la méthode de montage à utiliser : au plancher ou au mur. Pour un plancher en pierre ou en briquetage, on peut utiliser la méthode de montage au mur. En cas d'installation de la cuisinière dans une résidence mobile, il est impératif de fixer la cuisinière au sol.
3. Déterminer et marquer l'axe central de l'espace à découper. La bride de montage peut être installée du côté gauche ou droit de la découpe. Positionner la bride de montage contre le mur dans l'ouverture à découper de façon à ce que l'encoche en V de la bride se trouve à 12 9/16 po (3,9 cm) de l'axe central, tel qu'illustré.



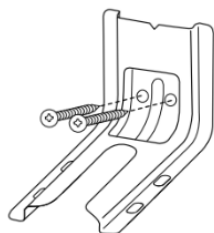
A. 12 9/16 po (31,9 cm)
 B. Encoche en V de la bride

4. Percer deux trous de 1/8 po (3 mm) qui correspondent aux trous de la bride selon la méthode de montage déterminée. Voir les illustrations suivantes.

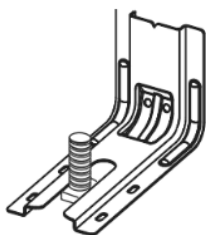
Montage au plancher



Montage mural



5. À l'aide du tournevis cruciforme, monter la bride antibasculement sur le mur ou sur le plancher avec les deux vis n° #12 x 1 5/8 po (4,1 cm) fournies.
6. Rapprocher suffisamment la cuisinière de l'ouverture pour permettre le raccordement électrique et le raccordement final au gaz. Retirer la base d'expédition, le carton ou le panneau de fibres dur de sous la cuisinière.
7. Placer la cuisinière dans son emplacement final en s'assurant que le pied de nivellement arrière glisse dans la bride antibasculement.



8. Déplacer la cuisinière vers l'avant sur la base de sa boîte d'expédition, sur une planche en carton ou en matériau de fibres dur pour poursuivre l'installation de la cuisinière à l'aide des instructions d'installation suivantes.

Raccordement au gaz

⚠ AVERTISSEMENT



Risque d'explosion

Utiliser une canalisation neuve d'arrivée de gaz approuvée par la CSA International.

Installer un robinet d'arrêt.

Bien serrer chaque organe de connexion de la canalisation de gaz.

En cas de connexion au gaz propane, demander à une personne qualifiée de s'assurer que la pression de gaz ne dépasse pas 14 po (36 cm) dans la colonne d'eau.

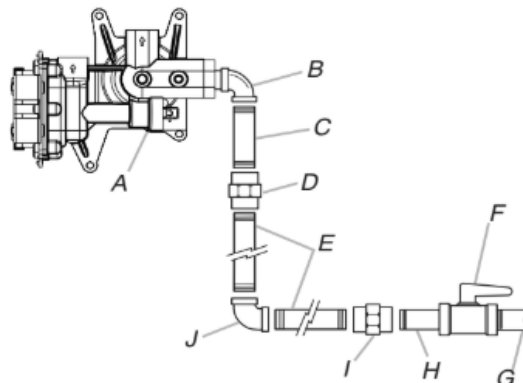
Par personnel qualifié, on entend : personnel agréé de chauffage, personnel agréé d'une compagnie de gaz, et personnel d'entretien agréé.

Le non-respect de ces instructions peut causer un décès, une explosion ou un incendie.

Raccordement typique à une canalisation rigide

On doit utiliser une combinaison de raccords pour raccorder la cuisinière à la canalisation de gaz existante. La configuration de connexion sera variable, selon les caractéristiques de la canalisation d'alimentation (type, taille et position).

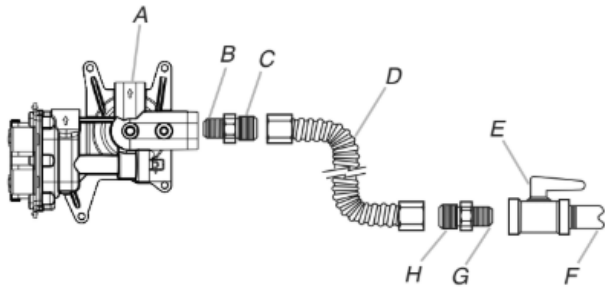
1. Sur chaque connexion filetée, appliquer un composé d'étanchéité résistant au propane.
2. Utiliser une clé pour serrer tous les raccords entre la cuisinière et la canalisation de gaz.



- | | |
|--|--|
| A. Détendeur | F. Robinet d'arrêt manuel |
| B. Coude à 90° (avec filetage mâle de 1/2 po (1,3 cm)) | G. Tuyau de gaz 1/2 po (1,3 cm) ou 3/4 po (1,9 cm) |
| C. Raccord droit | H. Raccord droit |
| D. Raccord | I. Raccord |
| E. Tuyau de fer noir | J. Coude à 90° |

Raccordement typique par raccord flexible

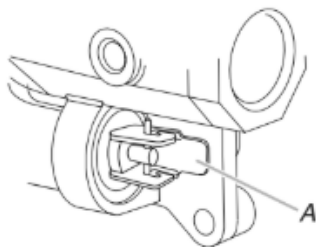
1. Appliquer un composé d'étanchéité de filetage résistant au propane sur l'extrémité filetée la plus petite des adaptateurs de raccord flexible (voir B et G dans l'illustration ci-dessous).
2. Fixer un raccord d'adaptation sur le détendeur et l'autre raccord d'adaptation sur le robinet d'arrêt de la canalisation de gaz. Serrer les deux raccords d'adaptation en s'assurant de ne pas déplacer le détendeur.
3. À l'aide d'une clé mixte de 15/16 po (2,4 cm) et d'une clé à molette, visser le raccord flexible sur les raccords d'adaptation.



- | | |
|---|---|
| A. Détendeur | E. Robinet d'arrêt manuel |
| B. Appliquer un composé d'étanchéité | F. Tuyau de gaz de 1/2 po (1,3 cm) ou 3/4 po (1,9 cm) |
| C. Raccord d'adaptation (avec filetage mâle de 1/2 po (1,3 cm)) | G. Appliquer un composé d'étanchéité |
| D. Raccord flexible | H. Raccord d'adaptation |

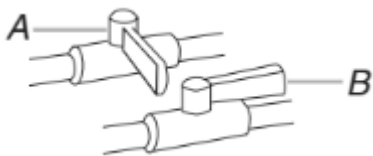
Achever le raccordement

1. Vérifier que le robinet d'arrêt du détendeur est à la position "ON" (ouvert).



A. Le robinet d'arrêt du détendeur est illustré en position ouverte.

2. Ouvrir le robinet d'arrêt manuel sur la canalisation d'alimentation en gaz. Le robinet est ouvert lorsque la manette est parallèle au conduit d'alimentation en gaz.

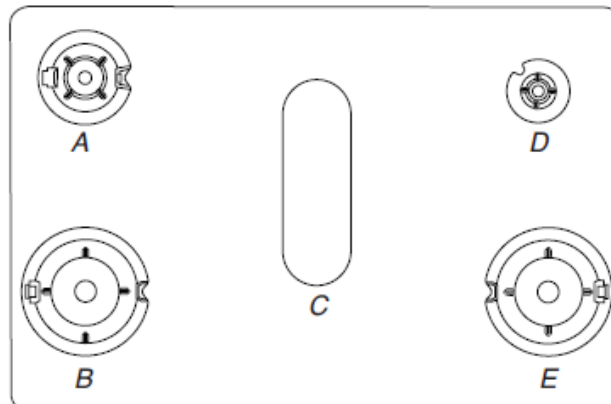


A. Robinet fermé
B. Robinet ouvert

3. Vérifier tous les raccordements en les badigeonnant d'une solution de détection des fuites non corrosive approuvée. L'apparition de bulles indique une fuite. Réparer toutes les fuites.

4. Ôter les chapeaux et grilles de brûleur de la table de cuisson du sachet de pièces.

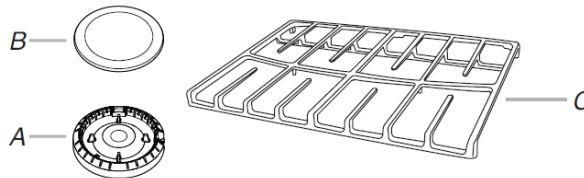
Pour certains modèles



- | | |
|-------------------------|-------------------------|
| A. Moyen (Semi-rapide) | D. Petit (Auxiliaire) |
| B. Grand (Ultra rapide) | 5. Grand (Ultra rapide) |
| C. Ovale (OV) | |

REMARQUE : Chaque base de brûleur rond porte une des marques suivantes : AUX, SR, UR.

5. Un chapeau de brûleur correctement placé doit être horizontal. Si les chapeaux de brûleur ne sont pas correctement installés, les brûleurs de surface ne s'allumeront pas. Placer les grilles de brûleur sur les brûleurs et chapeaux.



- | |
|-----------------------|
| A. Base du brûleur |
| B. Chapeau de brûleur |
| C. Grille du brûleur |

- Placer les chapeaux de brûleur sur les bases de brûleurs appropriées.

IMPORTANT : Les dessous des chapeaux petit et moyen sont différents. Ne pas placer un chapeau de la taille incorrecte sur la base du brûleur. Chaque chapeau de brûleur rond porte la marque AUX, SR, UR pour correspondre avec la marque sur la base du brûleur.



Petit chapeau
(Auxiliaire)



Chapeau moyen
(Semi-rapide)



Grand chapeau (Ultra
rapide)

⚠ AVERTISSEMENT



Risque de choc électrique

Brancher l'appareil sur une prise à 3 alvéoles reliée à la terre.

Ne pas enlever la prise de liaison à la terre.

Ne pas utiliser d'adaptateur.

Ne pas utiliser de rallonge.

Le non-respect de ces instructions peut causer un décès, un incendie ou un choc électrique.

- Brancher l'appareil sur une prise à 3 alvéoles reliée à la terre.
- Déplacer la cuisinière vers son emplacement définitif en s'assurant que le pied de nivellement arrière glisse dans les fentes de la bride antibasculement.

Vérifier que la bride antibasculement est bien installée et engagée

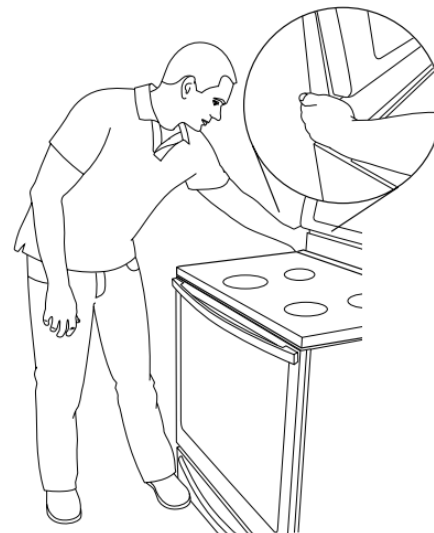
Sur les modèles avec tiroir de remisage :

- Retirer le tiroir de remisage. Voir la section "Tiroir de remisage".
- Au moyen d'une torche électrique, inspecter le dessous de la cuisinière.
- Inspecter la cuisinière pour vérifier que le pied arrière de la cuisinière se trouve dans la fente de la bride antibasculement.

Sur les modèles avec tiroir-réchaud ou tiroir de remisage de qualité supérieure :

- Placer l'extérieur du pied contre la partie inférieure avant du tiroir-réchaud ou tiroir de remisage de qualité supérieure et saisir le côté inférieur droit ou gauche du tableau de commande tel qu'indiqué.

REMARQUE : Si le plan de travail comporte un dosseret, il faudra peut-être saisir la cuisinière plus haut que ce qu'indique l'illustration.



- Tenter d'incliner la cuisinière vers l'avant avec précaution. Si vous rencontrez une résistance immédiate, cela signifie que le pied de la cuisinière est engagé dans la bride antibasculement.
- Si l'arrière de la cuisinière se soulève de plus de 1/2 po (1,3 cm) du plancher sans opposer de résistance, cesser d'incliner la cuisinière et la reposer doucement sur le plancher. Le pied de la cuisinière n'est pas engagé dans la bride antibasculement.
- IMPORTANT :** Si l'on entend un claquement ou un bruit d'éclatement lorsqu'on soulève la cuisinière, cela signifie peut-être que la cuisinière n'est pas bien engagée dans la bride. Vérifier qu'aucune obstruction n'empêche la cuisinière de glisser vers le mur ou le pied de la cuisinière de glisser dans la bride. Vérifier que la bride est fermement maintenue en place par les vis de montage.
- Glisser la cuisinière vers l'avant et vérifier que la bride antibasculement est bien fixée au plancher ou au mur.
- Faire glisser de nouveau la cuisinière de façon à ce que le pied arrière de la cuisinière se trouve dans la fente de la bride antibasculement.

IMPORTANT : Si l'arrière de la cuisinière se trouve à plus de 2 po (5,1 cm) du mur de montage, cela signifie que le pied arrière de la cuisinière n'est pas engagé dans la bride. Glisser la cuisinière vers l'avant et déterminer si un objet fait obstruction entre la cuisinière et la paroi de montage. Les modifications apportées à l'alimentation en gaz doivent être effectuées par un dépanneur qualifié. Si vous avez besoin d'aide ou d'un entretien, consulter le Guide de démarrage rapide pour obtenir les coordonnées.

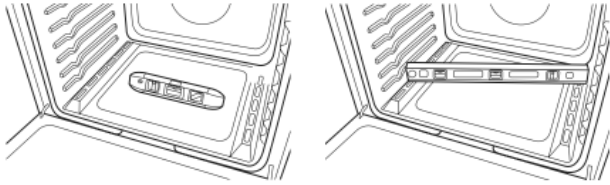
- Répéter les étapes 1 et 2 pour s'assurer que le pied de la cuisinière est bien engagé dans la bride antibasculement. Si l'arrière de la cuisinière se soulève de plus de 1/2 po (1,3 cm) du plancher sans opposer de résistance, cela peut signifier que la bride antibasculement n'est pas correctement installée. Ne pas faire fonctionner la cuisinière si la bride antibasculement n'est pas installée et engagée. Si vous avez besoin d'aide ou d'un entretien, consulter le Guide de démarrage rapide pour obtenir les coordonnées.

Réglage de l'aplomb de la cuisinière

Déterminer si vous possédez la technologie AquaLift® ou Steam Clean (nettoyage à la vapeur) en consultant la section "Entretien de la cuisinière"

Pour les cuisinières équipées de la technologie AquaLift® ou Steam Clean

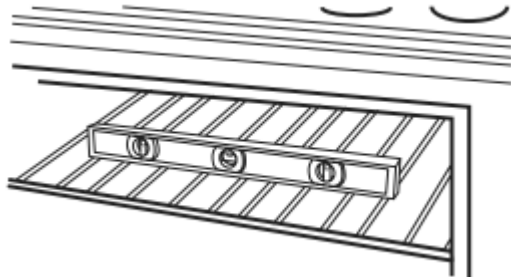
1. En fonction de la taille du niveau, placer le niveau sur le bas du four tel qu'indiqué dans l'une des deux figures ci-dessous. Contrôler l'aplomb transversal et dans le sens avant/arrière.



2. Si la cuisinière n'est pas d'aplomb, la tirer vers l'avant jusqu'à ce que le pied de nivellement arrière se dégage de la bride antibasculement.
3. Suivre les instructions fournies pour le type 1 ou 2, en fonction du type de tiroir fourni avec la cuisinière.

Pour les cuisinières dépourvues de la technologie AquaLift® ou Steam Clean

1. Placer une grille standard dans le four.
2. Placer un niveau sur la grille et contrôler l'aplomb de la cuisinière, d'abord transversalement, puis dans le sens avant/arrière.



3. Si la cuisinière n'est pas d'aplomb, la tirer vers l'avant jusqu'à ce que le pied de nivellement arrière se dégage de la bride antibasculement.
4. Suivre les instructions fournies pour le type 1 ou 2, en fonction du type de tiroir fourni avec la cuisinière.

Style 1 : Sur les cuisinières équipées d'un tiroir de remisage :

Utiliser une clé à cliquet de 1/4 po (6,3 mm), une clé ou une pince pour régler les pieds de nivellement vers le haut ou vers le bas jusqu'à ce que la cuisinière soit d'aplomb. Repousser la cuisinière pour la remettre en place. Vérifier que le pied de nivellement arrière est engagé dans la bride antibasculement.

Style 2 : Sur les cuisinières équipées d'un tiroir-réchaud ou tiroir de remisage de qualité supérieure :

Utiliser une clé ou une pince pour régler les pieds de nivellement vers le haut ou vers le bas jusqu'à ce que la cuisinière soit d'aplomb. Repousser la cuisinière pour la remettre en place. Vérifier que le pied de nivellement arrière est engagé dans la bride antibasculement.

REMARQUE : La cuisinière doit être d'aplomb pour que les résultats de cuisson au four soient satisfaisants et les résultats de nettoyage idéaux avec les fonctions de technologie AquaLift® et Steam Clean .

Système d'allumage électronique

Allumage initial et réglage des flammes de gaz

Un système d'allumage électronique est utilisé à la place des flammes de veille pour l'allumage des brûleurs (table de cuisson et four). Lorsqu'on place le bouton de commande d'un brûleur de la table de cuisson à la position "Lite" (allumage), le système génère des étincelles pour l'allumage du brûleur. La génération d'étincelles se poursuit aussi longtemps que le bouton de commande est laissé à la position "LITE".

Lorsqu'on place le bouton de commande du brûleur du four à la position désirée, les étincelles générées provoquent l'inflammation du gaz. Il n'y a pas de génération d'étincelles. La barre lumineuse reste allumée pendant le fonctionnement des brûleurs.

Contrôle du fonctionnement des brûleurs de la table de cuisson

Brûleurs de surface ordinaires

Enfoncer et tourner chaque bouton de commande à la position "LITE".

La flamme doit s'allumer sur le brûleur en moins de 4 secondes. Lors de l'allumage initial du brûleur, le délai d'allumage peut être supérieur à 4 secondes du fait de la présence d'air dans la canalisation de gaz.

Si les brûleurs ne s'allument pas correctement :

- Tourner le bouton de commande de la table de cuisson à la position Off (arrêt).
- Vérifier que la cuisinière est branchée. Vérifier que le disjoncteur ne s'est pas déclenché, et qu'aucun fusible du domicile n'a grillé.
- Vérifier que les robinets d'arrêt de gaz sont en position ouverts.
- Vérifier que les chapeaux de brûleur sont correctement placés sur la base des brûleurs.

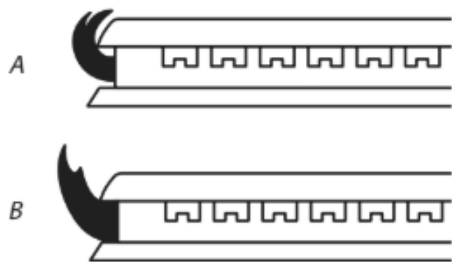
Répéter le processus de mise en marche. Si un brûleur ne s'allume pas à ce stade, tourner les boutons de commande sur Off (arrêt) et contacter le revendeur ou le service de maintenance agréé.

Panne de courant

En cas de panne de courant prolongée, les brûleurs de surface peuvent être allumés manuellement. Tenir une allumette allumée près d'un brûleur et tourner le bouton dans le sens antihoraire à LITE (allumage). Une fois le brûleur allumé, tourner le bouton au réglage souhaité.

Réglage de la taille des flammes

Régler la taille des flammes sur les brûleurs de la table de cuisson. Pour le réglage au débit thermique minimum, on doit observer des flammes stables bleues de 1/4 po (6,4 mm).

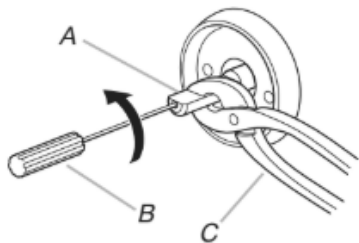


A. Débit thermique minimum
B. Débit thermique maximum

Réglage des brûleurs standard :

La vis de réglage au centre de la tige de commande du robinet permet de régler la taille des flammes. La tige de commande est située directement au-dessous du bouton de commande.

S'il est nécessaire de régler la taille des flammes pour le débit thermique minimum :

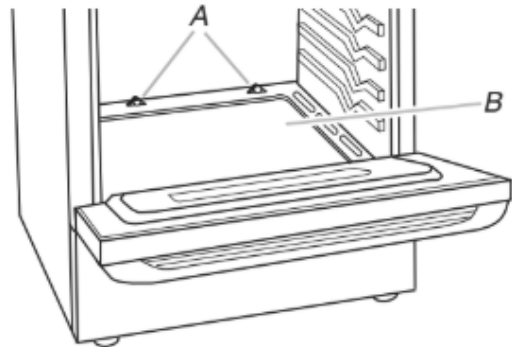


A. Tige du bouton de commande
B. Tournevis
C. Pince

1. Allumer 1 brûleur et le tourner au réglage le plus bas.
2. Ôter le bouton de commande.
Immobiliser la tige de commande avec une pince. Utiliser un petit tournevis à lame plate pour faire tourner la vis située au centre de la tige de commande; ajuster les flammes à la taille désirée.
3. Réinstaller le bouton de commande.
4. Tester la flamme en tournant le bouton de commande pour le faire passer de "LO" (basse) à "HI" (élevée) et observer les flammes pour chaque réglage.
5. Répéter les étapes ci-dessus pour chaque brûleur.

Contrôle du fonctionnement du brûleur de cuisson au four

1. Ôter la grille du four.
2. Pour retirer la partie inférieure du four : Ôter deux vis à l'arrière de la partie inférieure du four. Soulever l'arrière de la partie inférieure du four vers le haut et l'arrière jusqu'à dégager l'avant du panneau hors du cadre avant. Le retirer du four et le poser sur une surface couverte.



A. Vis
B. Partie inférieure du four

3. Il est possible de vérifier la flamme à l'aide d'un miroir. Insérer un miroir sur un côté du brûleur. Regarder dans le miroir pour vérifier la flamme.
4. Appuyer sur la touche BAKE (cuisson au four).
5. Appuyer sur la touche START (mise en marche).

Le brûleur du four devrait s'allumer en moins de 8 secondes; dans certaines conditions, l'allumage peut ne survenir qu'après 50 à 60 secondes.

Un dispositif d'allumage électronique est utilisé pour l'allumage des brûleurs du four et du gril.

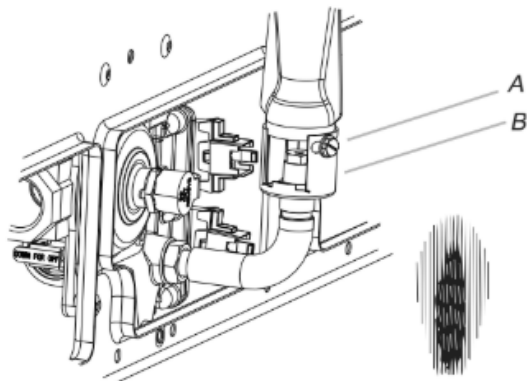
Consulter le Guide de démarrage rapide et le Guide de commande en ligne pour connaître le bon fonctionnement des commandes du four.

Réglage de la taille des flammes sur le brûleur du four (le cas échéant)

1. Sur les modèles avec tiroir-réchaud, retirer la plaque de fermeture de l'ouverture d'accès (1 vis) située à l'arrière du compartiment du tiroir-réchaud.
2. Observer les flammes sur le brûleur du four pour déterminer si un réglage est nécessaire.

Il doit y avoir sur le brûleur des flammes comportant un cône interne bleu vert de 1/2 po (1,3 cm) et une zone externe bleu foncé; la forme des flammes doit être nette et douce. On ne doit pas observer de pointes jaunes, ni d'effet de soufflage ou de séparation entre les flammes et le brûleur.

3. S'il est nécessaire de régler la taille des flammes, identifier la virole de réglage de l'admission d'air près du centre/à l'arrière de la cuisinière. Desserrer la vis de blocage et faire tourner la virole pour établir des flammes de configuration correcte. Resserrer la vis de blocage de la virole.



A. Vis de blocage
B. Virole de réglage de l'admission d'air

4. Appuyer sur CANCEL/OFF (annulation/arrêt) une fois terminé.
5. Réinstaller le répartiteur de flammes et la plaque de couverture du brûleur de four.

Contrôle du fonctionnement du brûleur du grill

1. Fermer la porte du four.
2. Appuyer sur la touche BROIL (gril).
3. Appuyer sur le bouton START (mise en marche).

Le brûleur du four devrait s'allumer en moins de 8 secondes; dans certaines conditions, l'allumage peut ne survenir qu'après 50 à 60 secondes.

Consulter le Guide de démarrage rapide et le Guide de commande en ligne pour connaître le bon fonctionnement des commandes du four.

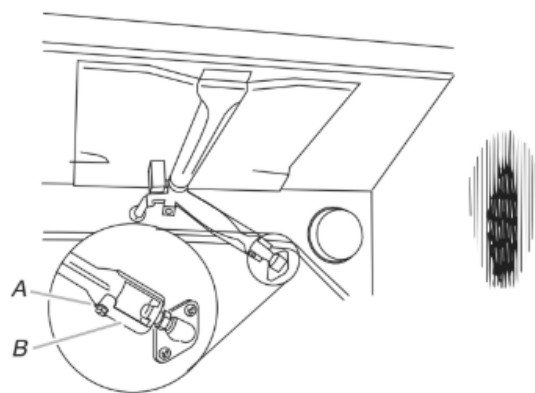
Réglage de la taille des flammes sur le brûleur du grill (le cas échéant)

Examiner les flammes sur le brûleur du grill à travers le hublot du four. Il doit y avoir sur le brûleur des flammes comportant un cône interne bleu vert de 1/2 po (1,3 cm) et une zone externe bleu foncé; la forme des flammes doit être nette et douce. On ne doit pas observer de pointes jaunes, ni d'effet de soufflage ou de séparation entre les flammes et le brûleur.

S'il est nécessaire de régler la taille des flammes :

1. Desserrer la vis de blocage de la virole de réglage de l'admission d'air, à l'arrière du brûleur du grill.
2. Régler l'admission d'air selon le besoin.

3. Resserrer la vis de blocage.



A. Vis de blocage
B. Virole de réglage de l'admission d'air

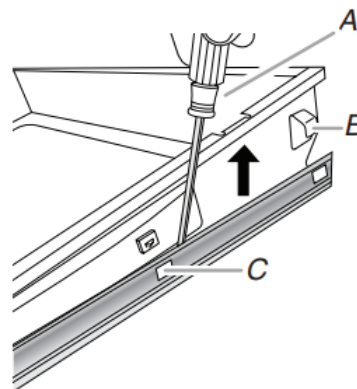
4. Appuyer sur CANCEL/OFF (annulation/arrêt) après avoir terminé.

Tiroir-réchaud ou tiroir de remisage de qualité supérieure (sur certains modèles)

Enlever tous les articles de l'intérieur du tiroir de cuisson au four, tiroir-réchaud ou tiroir de remisage de qualité supérieure et laisser la cuisinière refroidir complètement avant d'essayer d'enlever le tiroir.

Dépose :

1. Ouvrir complètement le tiroir.
2. À l'aide d'un tournevis à lame plate, desserrer doucement le tiroir pour le dégager de l'encoche d'alignement de glissière et soulever l'onglet d'alignement du tiroir pour le dégager de la glissière.

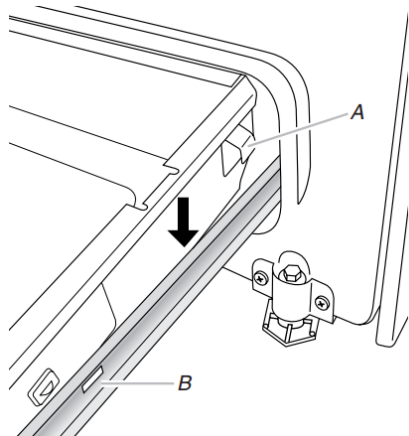


A. Tournevis à lame plate
B. Onglet d'alignement du tiroir
C. Encoche de glissière du tiroir

3. Répéter l'étape 2 pour l'autre côté. Le tiroir n'est plus fixé aux glissières de tiroir. Avec les deux mains, saisir le tiroir pour le retirer complètement.

Réinstallation :

1. Aligner les encoches de l'avant du tiroir avec les encoches des glissières latérales à l'intérieur du tiroir (de chaque côté). Placer les onglets d'alignement arrière dans les glissières de tiroir (de chaque côté).



A. Onglet d'alignement du tiroir
B. Encoche de glissière du tiroir

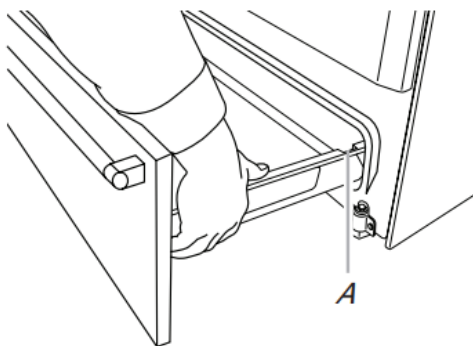
2. Pousser le tiroir complètement.
3. Ouvrir et fermer délicatement le tiroir pour s'assurer qu'il est bien engagé dans les glissières (de chaque côté).

Tiroir de remisage (sur certains modèles)

Le tiroir de remisage peut être enlevé. Avant de l'enlever, s'assurer que le tiroir est froid et vide.

Dépose :

1. Tirer le tiroir de remisage en ligne droite vers l'arrière jusqu'à la butée du tiroir.



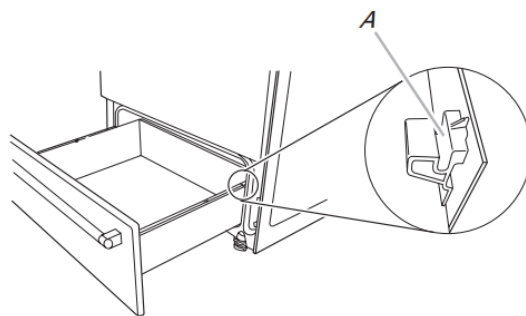
A. Encoche de la butée du tiroir

2. Soulever l'avant du tiroir et retirer ce dernier.

Réinstallation :

1. Soulever l'avant du tiroir et placer l'arrière du tiroir dans la cuisinière de façon à ce que l'encoche de butée du tiroir se trouve derrière la glissière du tiroir.
2. Abaisser le tiroir de façon à ce que le bord de la glissière s'insère dans l'encoche de la glissière de tiroir.

3. Enfoncer lentement le tiroir dans la cuisinière.



A. Engager la glissière du tiroir.

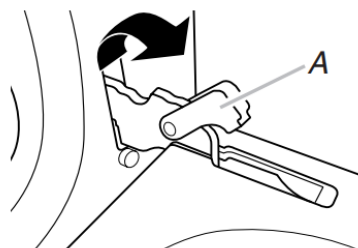
REMARQUE : Lorsque le tiroir est correctement installé, les glissières de la base s'engagent dans les glissières arrière du fond du tiroir et le tiroir lui-même ne s'incline pas lorsqu'on place des objets à l'intérieur.

Porte du four

Il n'est pas recommandé d'enlever la porte du four pour une utilisation normale. Toutefois, si la dépose est nécessaire, s'assurer que le four est éteint et froid. Puis, suivre ces instructions. La porte du four est lourde.

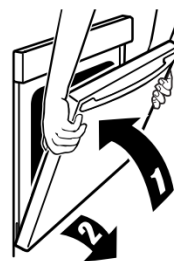
Dépose :

1. Ouvrir la porte du four complètement.
2. Pincer le loquet de charnière entre les deux doigts et tirer vers l'avant. Répéter ces opérations pour l'autre côté de la porte du four.



A. Loquet de charnière

3. Fermer la porte du four aussi loin qu'elle peut aller.
4. Soulever la porte du four en la retenant de chaque côté. Continuer de maintenir la porte du four fermée et la dégager du châssis de la porte du four.



Réinstallation :

1. Insérer les deux bras de suspension dans la porte.



2. Ouvrir la porte du four.
Vous devriez entendre un déclic lors de la mise en place de la porte.
3. Remettre les leviers des charnières à la position verrouillée. Effectuer quelques manoeuvres d'ouverture/fermeture de la porte du four pour vérifier le bon fonctionnement. En cas d'impossibilité d'ouverture ou de fermeture parfaite de la porte, répéter le processus de dépose et d'installation de la porte.

Achever l'installation

1. Vérifier que toutes les pièces sont maintenant installées. S'il reste une pièce inutilisée, passer en revue les différentes étapes pour découvrir laquelle aurait été oubliée.
2. Vérifier la présence de tous les outils.
3. Jeter ou recycler tous les matériaux d'emballage.
4. Contrôler l'aplomb de la cuisinière. Voir "Réglage de l'aplomb de la cuisinière".
5. Utiliser une solution d'eau tiède et de nettoyant ménager liquide doux pour éliminer tout résidu de cire laissé par les matériaux de protection de l'emballage. Sécher parfaitement avec un linge doux. Pour obtenir plus d'informations, consulter la section « Entretien et réparation de la cuisinière »
6. Lire le Guide de démarrage rapide et le Guide de commande en ligne.
7. Mettre en marche les brûleurs de surface et le four. Consulter le Guide de démarrage rapide et le Guide de commande pour obtenir des instructions précises sur le fonctionnement de la cuisinière

Si la cuisinière ne fonctionne pas, contrôler ce qui suit :

- Le fusible du domicile est intact et bien serré, ou le disjoncteur ne s'est pas déclenché.
 - La cuisinière est branchée directement sur une prise de courant à 3 alvéoles, reliée à la terre.
 - Le robinet d'arrêt du détendeur est à la position "marche".
 - Le raccordement de l'alimentation électrique a été effectué.
 - Consulter la section « Dépannage » en ligne.
8. Après 5 minutes de fonctionnement de la cuisinière, évaluer le niveau de chaleur. Si la cuisinière est froide, arrêter la cuisinière et déterminer si le robinet d'arrêt d'alimentation en gaz est ouvert.
 - Si le robinet d'arrêt de l'alimentation en gaz est fermé, l'ouvrir, puis répéter le test de 5 minutes décrit ci-dessus.
 - Si le robinet d'arrêt de l'alimentation en gaz est ouvert, appuyer sur le bouton CANCEL (annulation) sur le tableau de commande du four et contacter un technicien qualifié.

Si vous avez besoin d'assistance ou de service :

Consulter le Guide de démarrage rapide pour obtenir les coordonnées.

CONVERSIONS POUR CHANGEMENT DE GAZ

Les conversions pour changement du gaz naturel au propane ou du propane au gaz naturel doivent être effectuées par un installateur qualifié.

⚠ AVERTISSEMENT



Risque d'explosion

Utiliser une canalisation neuve d'arrivée de gaz approuvée par la CSA International.

Installer un robinet d'arrêt.

Bien serrer chaque organe de connexion de la canalisation de gaz.

En cas de connexion au gaz propane, demander à une personne qualifiée de s'assurer que la pression de gaz ne dépasse pas 14 po (36 cm) dans la colonne d'eau.

Par personnel qualifié, on entend : personnel agréé de chauffage, personnel agréé d'une compagnie de gaz, et personnel d'entretien agréé.

Le non-respect de ces instructions peut causer un décès, une explosion ou un incendie.

⚠ AVERTISSEMENT:

Cet ensemble de conversion doit être installé par un organisme de service qualifié, conformément aux directives du fabricant ainsi qu'à tous les codes applicables et à toutes les exigences des autorités compétentes. Si les directives ne sont pas suivies à la lettre, un incendie, une explosion ou une émission de monoxyde de carbone pourrait se produire et entraîner des dommages matériels et des blessures graves ou mortelles. L'organisme de service qualifié est responsable de l'installation appropriée de cet ensemble de conversion. L'installation n'est pas considérée adéquate et complète tant que le fonctionnement de l'appareil converti n'a pas été vérifié, conformément aux directives du fabricant fournies avec l'ensemble de conversion.

Conversion pour l'alimentation au propane

⚠ AVERTISSEMENT



Risque de basculement

Une personne, enfant ou adulte, peut faire basculer la cuisinière et subir des blessures mortelles.

Fixer la bride antibasculement au plancher ou au mur, conformément aux instructions d'installation.

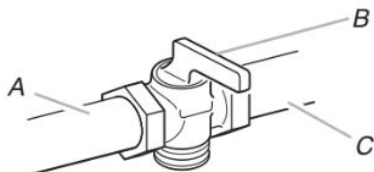
Faire glisser de nouveau la cuisinière de façon à ce que le pied arrière de la cuisinière se trouve dans la fente de la bride antibasculement.

Réengager la bride antibasculement si la cuisinière a été déplacée.

Ne pas faire fonctionner la cuisinière si la bride antibasculement n'est pas installée et engagée.

Le non-respect de ces instructions peut causer un décès ou des brûlures graves aux enfants et aux adultes.

1. Tourner le robinet d'arrêt manuel pour le placer à la position de fermeture.



- A. Vers la cuisinière
- B. Robinet d'arrêt manuel à la position "fermée".
- C. Canalisations d'alimentation en gaz

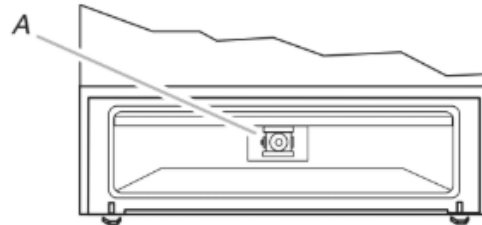
2. Débrancher la cuisinière ou déconnecter la source de courant électrique.

Conversion du détendeur de gaz (du gaz naturel au gaz propane)

1. Retirer le tiroir de remisage de qualité supérieure, le tiroir-réchaud, ou le tiroir de cuisson. Voir la section "Dépose et repose du tiroir", "Tiroir de remisage" ou "Tiroir-réchaud ou tiroir de remisage de qualité supérieure".

2. Identifier le détendeur à l'arrière du compartiment du tiroir.

REMARQUE : Pour les modèles avec tiroir-réchaud ou tiroir de cuisson, on doit enlever le couvercle d'accès au détendeur.

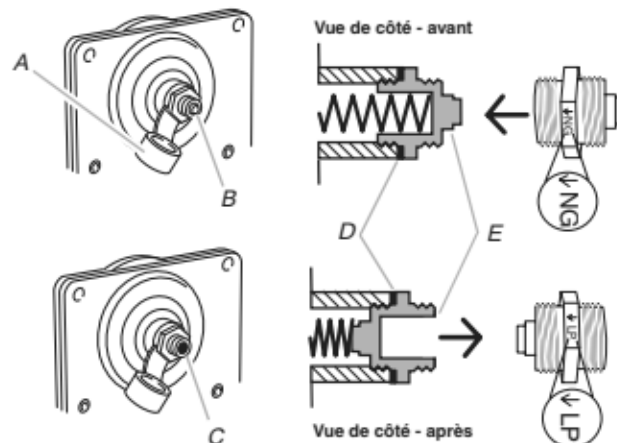


A. Détendeur

IMPORTANT : Ne pas enlever le détendeur.

3. Ôter le couvercle de plastique du capuchon du détendeur.
4. Avec une clé mixte de 5/8 po (1,6 cm), tourner le chapeau du détendeur dans le sens antihoraire pour l'enlever.

REMARQUE : Ne pas enlever le ressort situé sous le capuchon.

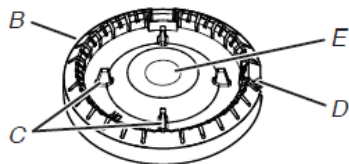
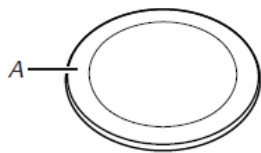


- A. Capuchon en plastique
- B. Capuchon du détendeur; extrémité borgne vers l'extérieur
- C. Capuchon du détendeur; extrémité creuse ouverte vers l'extérieur
- D. Rondelle
- E. Capuchon du détendeur

5. Retourner le chapeau du détendeur et le réinstaller sur le détendeur de façon à ce que l'extrémité creuse soit orientée vers l'extérieur et que l'indication "↓LP" soit orientée de la manière indiquée à l'illustration ci-dessus.
6. Réinstaller le couvercle de plastique par-dessus le capuchon du détendeur.

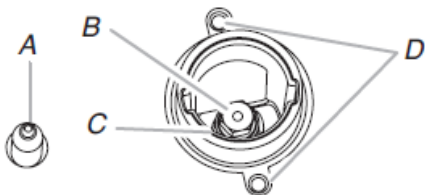
Conversion des brûleurs de surface (du gaz naturel au gaz propane)

1. Ôter le chapeau de brûleur.
2. Ôter la base du brûleur.



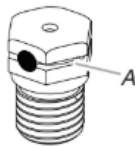
- A. Chapeau du brûleur
- B. Base du brûleur
- C. Tiges d'alignement
- D. Électrode d'allumage
- E. Ouverture du tube d'arrivée de gaz

3. Appliquer du ruban adhésif de masquage à l'extrémité d'un tourne-écrou de 9/32 po (7 mm) pour retenir l'injecteur à orifice du brûleur dans le tourne-écrou durant l'extraction. Placer le tourne-écrou sur l'injecteur; tourner dans le sens antihoraire et soulever pour enlever l'injecteur. Conserver à part l'injecteur à orifice du brûleur.



- A. Électrode d'allumage
- B. Gicleur
- C. Support du gicleur
- D. Vis

4. Retirer le porte-injecteur à orifice de carton livré dans le sachet de documentation dans le four. Chaque injecteur à orifice est marqué d'un code d'identification gravé et d'un point coloré, et comporte une rainure dans la zone hexagonale. Remplacer l'injecteur à orifice pour gaz naturel par l'injecteur à orifice pour propane correct.



- A. Rainure pour gaz propane

Consulter le tableau suivant pour connaître le bon positionnement de l'injecteur à orifice pour gaz propane.

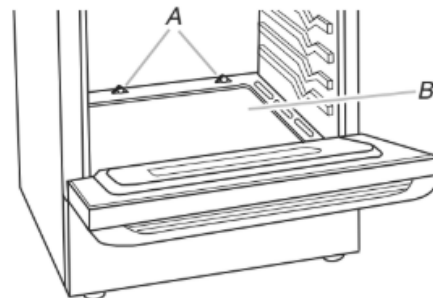
Tableau pour les injecteurs à orifice pour gaz propane des brûleurs de surface

Emplacement	Capacité/type de brûleur	Taille (mm)	Identifiant
GAV	14,200 BTU	1.08	108AM
GAR	8,000 BTU	0.84	084AM
DAV	14,200 BTU	1.08	108AM
DAR	5,000 BTU	0.64	064AM
CD	8,000 BTU	0.84	084AM

5. Placer l'injecteur à orifice pour gaz naturel sur le porte-injecteur à orifice de carton.
6. Réinstaller la base du brûleur – utiliser les deux vis.
7. Réinstaller le chapeau de brûleur.
8. Répéter les étapes 1 à 7 pour les autres brûleurs.

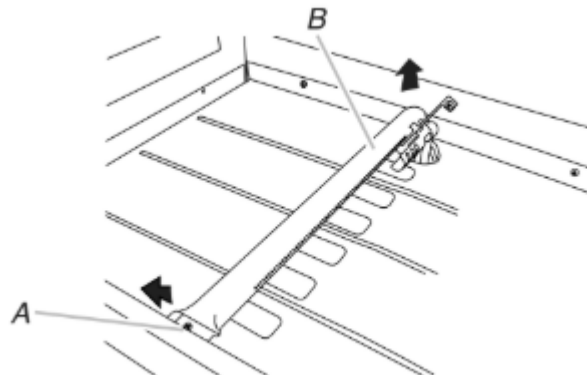
Conversion du brûleur de cuisson au four (du gaz naturel au gaz propane)

1. Retirer les grilles du four.
2. Ôter 2 vis à l'arrière de la partie inférieure du four.
3. Soulever l'arrière de la partie inférieure du four vers le haut et l'arrière jusqu'à ce que l'avant du panneau se trouve hors du cadre avant. Le retirer du four et le mettre de côté sur une surface couverte.



- A. Vis
- B. Partie inférieure du four

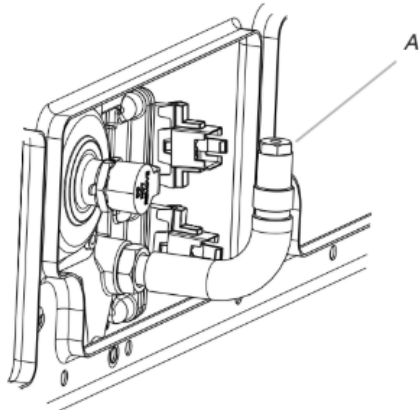
4. Ôter 1 vis du brûleur de cuisson au four.
5. Faire glisser l'avant du brûleur de cuisson au four sur le côté pour retirer l'onglet de l'avant du four. Retirer l'arrière du brûleur de cuisson au four de l'orifice du four, et mettre le brûleur de cuisson au four de côté.



- A. Vis
- B. Brûleur de cuisson

6. Utiliser un tourne-écrou de 3/8 po (9,5 mm) ou une clé mixte et tourner l'injecteur à orifice du brûleur pour gaz naturel dans le sens antihoraire pour l'enlever. L'injecteur à orifice portera la mention "47".
7. Remplacer l'injecteur à orifice "47" par un injecteur à orifice "56". Installer l'injecteur à orifice pour gaz propane du brûleur de cuisson au four en le tournant dans le sens horaire jusqu'à ce qu'il soit serré.

IMPORTANT : Ne pas serrer excessivement.



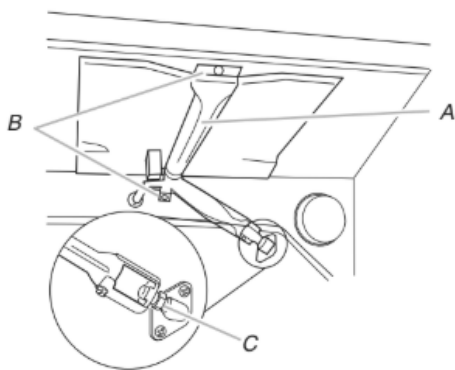
A. Injecteur à orifice

8. Positionner l'arrière du brûleur de cuisson au four sur l'orifice du four et insérer l'onglet situé à l'avant du brûleur de cuisson au four dans l'avant du four.
9. Réinstaller le brûleur de cuisson au four avec 2 vis.
10. Positionner l'avant du panneau inférieur du four vers le châssis avant et abaisser l'arrière du panneau du fond du four pour l'insérer dans le four.
11. Réinstaller le panneau du fond du four avec vis.

Conversion du brûleur de grill (du gaz naturel au gaz propane)

1. Ôter 1 vis du brûleur de cuisson au grill.
2. Ôter le répartiteur de flammes.
3. Retirer le brûleur de cuisson au grill de son injecteur femelle.

REMARQUE : Le brûleur de cuisson au grill pend à l'arrière du four pendant que l'on change l'injecteur femelle.



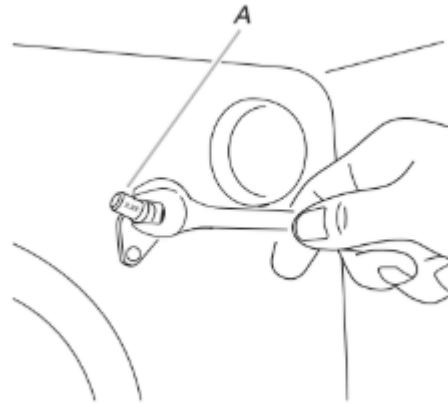
A. Brûleur de cuisson au grill
B. Vis
C. Injecteur femelle

4. Utiliser une clé mixte de 3/8 po (9,5 mm) pour tourner l'injecteur femelle du brûleur de cuisson au grill pour gaz naturel dans le sens antihoraire pour l'enlever. L'injecteur à orifice portera la mention "155".

5. Remplacer l'injecteur femelle "155" par un injecteur femelle "100". Installer l'injecteur femelle du brûleur de cuisson au grill pour gaz propane en le tournant dans le sens horaire jusqu'à ce qu'il soit serré.

IMPORTANT : Ne pas serrer excessivement.

6. Placer le brûleur de cuisson au grill sur l'injecteur femelle du brûleur de cuisson au grill et insérer l'allumeur en céramique du brûleur de cuisson au grill dans le trou situé à l'arrière du four.



A. Capot d'injecteur.

7. Positionner le brûleur de cuisson au grill contre la partie supérieure du four et le fixer avec 2 vis.
8. Réinstaller le tiroir de remisage ou le tiroir-réchaud. Voir la section "Tiroir de remisage" ou "Tiroir-réchaud ou tiroir de remisage de qualité supérieure".
9. Réinstaller la porte du four si elle a été retirée. Voir la section "Porte du four".
10. Réinstaller les grilles du four.

Achever l'installation (du gaz naturel au propane)

1. Pour le raccordement correct de la cuisinière à l'alimentation en gaz, se reporter à la section "Raccordement au gaz".
2. Pour l'allumage et l'utilisation corrects du brûleur ainsi que le réglage des flammes sur le brûleur, voir la section "Système d'allumage électronique".

IMPORTANT : Il peut être nécessaire de modifier le réglage des flammes à la position du débit thermique minimum "LO" pour chaque brûleur de la table de cuisson.

Il est très important de vérifier l'établissement de flammes correctes sur les brûleurs de la table de cuisson, le brûleur de cuisson au four et le brûleur de cuisson au grill. Le petit cône interne doit comporter une flamme bleue très distincte de 1/4 po (6,4 mm) à 1/2 po (1,3 cm) de longueur. Le cône externe n'est pas aussi distinct que le cône interne. Les flammes d'un brûleur alimenté au propane comportent une pointe légèrement jaune.

3. Voir le paragraphe "Achever l'installation" de la section "Instructions d'installation" du présent manuel pour achever cette procédure.

REMARQUE : S'assurer de bien conserver les injecteurs à orifice qui ont été remplacés au cours de la conversion.

Conversion pour l'alimentation au gaz naturel

⚠ AVERTISSEMENT



Risque de basculement

Une personne, enfant ou adulte, peut faire basculer la cuisinière et subir des blessures mortelles.

Fixer la bride antibasculement au plancher ou au mur, conformément aux instructions d'installation.

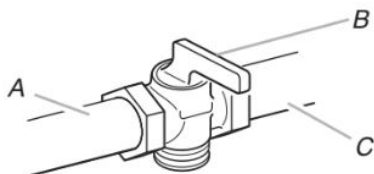
Faire glisser de nouveau la cuisinière de façon à ce que le pied arrière de la cuisinière se trouve dans la fente de la bride antibasculement.

Réengager la bride antibasculement si la cuisinière a été déplacée.

Ne pas faire fonctionner la cuisinière si la bride antibasculement n'est pas installée et engagée.

Le non-respect de ces instructions peut causer un décès ou des brûlures graves aux enfants et aux adultes.

1. Tourner le robinet d'arrêt manuel pour le placer à la position de fermeture.



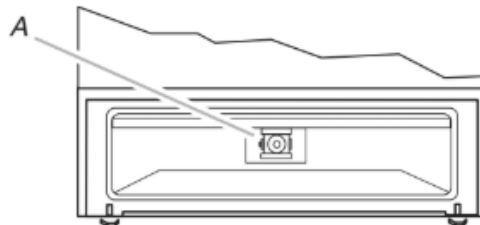
- A. Vers la cuisinière
- B. Robinet d'arrêt manuel à la position "fermée".
- C. Canalisations d'alimentation en gaz

2. Débrancher la cuisinière ou déconnecter la source de courant électrique.

Conversion du détendeur de gaz (du gaz propane au gaz naturel)

1. Retirer le tiroir de remisage de qualité supérieure, le tiroir-réchaud, ou le tiroir de cuisson. Voir la section "Dépose et repose du tiroir", "Tiroir de remisage" ou "Tiroir-réchaud ou tiroir de remisage de qualité supérieure".
2. Identifier le détendeur à l'arrière du compartiment du tiroir.

REMARQUE : Pour les modèles avec tiroir-réchaud ou tiroir de cuisson, on doit enlever le couvercle d'accès au détendeur.

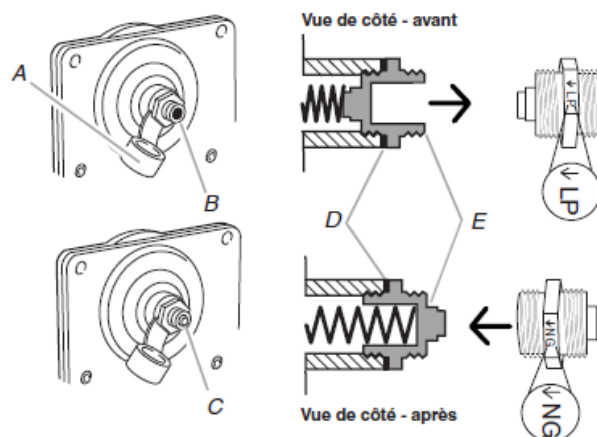


A. Détendeur

IMPORTANT : Ne pas enlever le détendeur.

3. Ôter le couvercle de plastique du capuchon du détendeur.
4. Avec une clé mixte de 5/8 po (1,6 cm), tourner le chapeau du détendeur dans le sens antihoraire pour l'enlever.

REMARQUE : Ne pas enlever le ressort situé sous le capuchon.

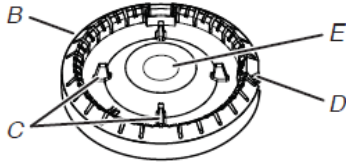
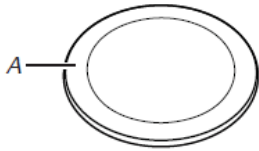


- A. Capuchon en plastique
- B. Capuchon du détendeur; extrémité creuse ouverte vers l'extérieur
- C. Capuchon du détendeur; extrémité borgne vers l'extérieur
- D. Rondelle
- E. Capuchon du détendeur

5. Retourner le chapeau du détendeur et le réinstaller sur le détendeur de façon à ce que l'extrémité borgne soit orientée vers l'extérieur et que l'indication "↓NG" soit orientée de la manière indiquée à l'illustration ci-dessus.
6. Réinstaller le couvercle de plastique par-dessus le capuchon du détendeur.

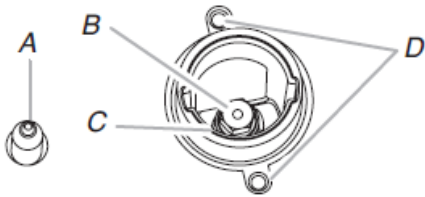
Conversion des brûleurs de surface (du gaz propane au gaz naturel)

1. Ôter le chapeau de brûleur.
2. Ôter la base du brûleur.



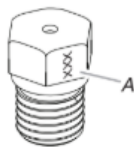
- A. Chapeau du brûleur
- B. Base du brûleur
- C. Tiges d'alignement
- D. Électrode d'allumage
- E. Ouverture du tube d'arrivée de gaz

3. Appliquer du ruban adhésif de masquage à l'extrémité d'un tourne-écrou de 9/32 po (7 mm) pour retenir l'injecteur à orifice du brûleur dans le tourne-écrou durant l'extraction. Placer le tourne-écrou sur l'injecteur; tourner dans le sens antihoraire et soulever pour enlever l'injecteur. Conserver à part l'injecteur à orifice du brûleur.



- A. Électrode d'allumage
- B. Gicleur
- C. Support du gicleur
- D. Vis

4. Chaque injecteur est marqué d'un code d'identification gravé sur le côté. Remplacer l'injecteur à orifice pour gaz propane par le bon injecteur pour gaz naturel.



- A. Chiffre gravé

Le tableau qui suit permet de sélectionner l'injecteur à orifice pour gaz naturel correct pour chaque brûleur.

Tableau de sélection des injecteurs pour gaz naturel

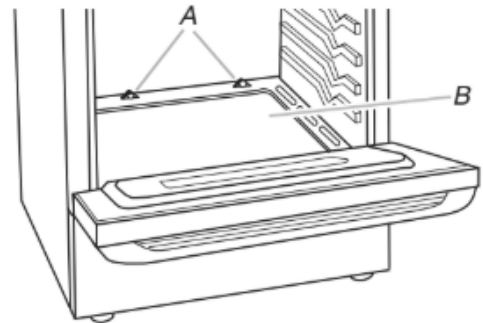
Puissance thermique	Taille (mm)	Identifiant
18,000 BTU	2.00	200AM
17,000 BTU	1.96	196AM
15,000 BTU	1.80	180AM
9,500 BTU	1.40	140AM
8,000 BTU	1.30	130AM
5,000 BTU	1.00	100AM

REMARQUE : Voir la plaque signalétique située sur le cadre du four, derrière le coin supérieur droit de la porte du four pour connaître la taille d'injecteur à utiliser pour chaque brûleur (selon sa position).

5. Placer l'injecteur pour gaz propane dans le sachet à injecteur.
 - IMPORTANT :** Conserver les injecteurs pour gaz propane au cas où la cuisinière devrait être reconvertie au gaz propane.
6. Réinstaller la base du brûleur à l'aide des deux vis.
7. Réinstaller le chapeau de brûleur.
8. Répéter les étapes 1 à 7 pour les autres brûleurs.

Conversion du brûleur de cuisson au four (du gaz propane au gaz naturel)

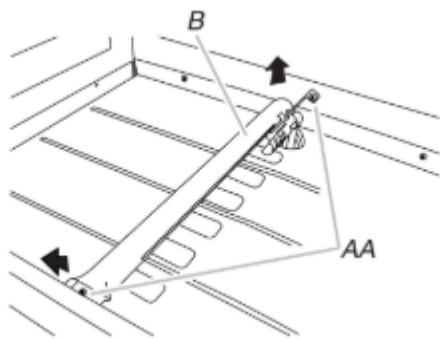
1. Retirer les grilles du four.
2. Ôter 2 vis à l'arrière de la partie inférieure du four.
3. Soulever l'arrière de la partie inférieure du four vers le haut et l'arrière jusqu'à ce que l'avant du panneau se trouve hors du cadre avant. Le retirer du four et le mettre de côté sur une surface couverte.



- A. Vis
- B. Partie inférieure du four

4. Ôter 1 vis du brûleur de cuisson au four.

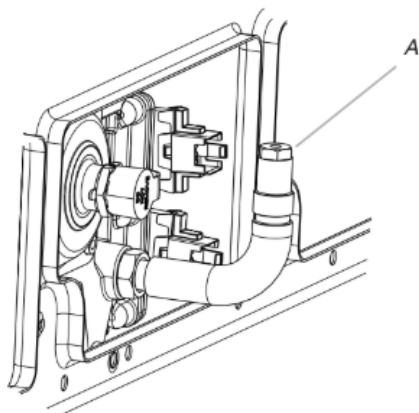
- Faire glisser l'avant du brûleur de cuisson au four sur le côté pour retirer l'onglet de l'avant du four. Retirer l'arrière du brûleur de cuisson au four de l'orifice du four, et mettre le brûleur de cuisson au four de côté.



A. Vis
B. Brûleur de cuisson au four

- Utiliser un tourne-écrou de 3/8 po (9,65 mm) ou une clé mixte et tourner l'injecteur à orifice du brûleur de cuisson au four pour gaz propane dans le sens antihoraire pour l'enlever. L'injecteur à orifice portera la mention "56".
- Remplacer l'injecteur à orifice "56" par un injecteur à orifice "47". Installer l'injecteur à orifice pour gaz naturel du brûleur de cuisson au four en le tournant dans le sens horaire jusqu'à ce qu'il soit serré.

IMPORTANT : Ne pas serrer excessivement.



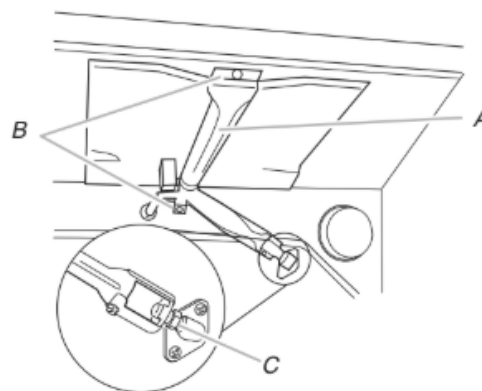
A. Injecteur à orifice

- Positionner l'arrière du brûleur de cuisson au four sur l'orifice du four et insérer l'onglet situé à l'avant du brûleur de cuisson au four dans l'avant du four.
- Réinstaller le brûleur de cuisson au four avec 1 vis.
- Positionner l'avant du panneau inférieur du four vers le châssis avant et abaisser l'arrière du panneau du fond du four pour l'insérer dans le four.
- Réinstaller le panneau du fond du four avec 2 vis.

Conversion du brûleur de cuisson au grill (du gaz propane au gaz naturel)

- Ôter la vis du brûleur de cuisson au grill.
- Retirer le brûleur de cuisson au grill de l'injecteur femelle du brûleur de cuisson au grill.

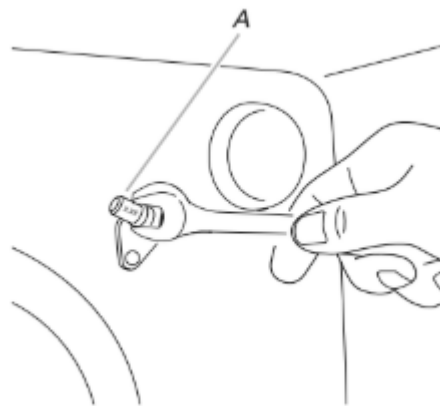
REMARQUE: Le brûleur de cuisson au grill pend à l'arrière du four pendant que l'on change l'injecteur femelle.



A. Brûleur de cuisson au grill
B. Vis
C. Injecteur femelle

- Utiliser une clé mixte de 3/8 po (9,5 mm) pour tourner l'injecteur femelle du brûleur de cuisson au grill pour gaz propane dans le sens antihoraire pour l'enlever. L'injecteur portera la mention "100".
- Remplacer l'injecteur femelle "100" par un injecteur femelle "155". Installer l'injecteur femelle du brûleur du grill pour gaz naturel en le tournant dans le sens horaire jusqu'à ce qu'il soit serré.

IMPORTANT: Ne pas serrer excessivement.



A. Injecteur femelle

- Placer le brûleur de cuisson au grill sur l'injecteur femelle du brûleur de cuisson au grill et insérer l'allumeur en céramique du brûleur de cuisson au grill dans le trou situé à l'arrière du four.
- Positionner le brûleur de cuisson au grill contre la partie supérieure du four et le fixer avec 2 vis.
- Réinstaller le tiroir de remisage ou le tiroir-réchaud. Voir la section "Tiroir de remisage" ou "Tiroir-réchaud ou tiroir de remisage de qualité supérieure".
- Réinstaller la porte du four. Voir la section "Porte du four".
- Réinstaller les grilles du four.

Achever l'installation (du gaz propane au gaz naturel)

1. Pour le raccordement correct de la cuisinière à l'alimentation en gaz, se reporter à la section "Raccordement au gaz".
2. Pour l'allumage et l'utilisation corrects du brûleur ainsi que le réglage des flammes sur le brûleur, voir la section "Système d'allumage électronique".

IMPORTANT : Il peut être nécessaire de modifier le réglage des flammes à la position du débit thermique minimum "LO" pour chaque brûleur de la table de cuisson.

Il est très important de vérifier l'établissement de flammes correctes sur la table de cuisson. Le petit cône interne doit comporter une flamme bleue très distincte de 1/4 po à 1/2 po (0,64 à 1,3 cm) de longueur. Le cône externe n'est pas aussi distinct que le cône interne. Les flammes d'un brûleur alimenté au propane comportent une pointe légèrement

3. Voir le paragraphe "Achever l'installation" de la section "Instructions d'installation" du présent manuel pour achever cette procédure.

REMARQUE : S'assurer de bien conserver les injecteurs à orifice qui ont été remplacés au cours de la conversion.

Déplacement de la cuisinière

⚠ AVERTISSEMENT



Risque de basculement

Une personne, enfant ou adulte, peut faire basculer la cuisinière et subir des blessures mortelles.

Fixer la bride antibasculement au plancher ou au mur, conformément aux instructions d'installation.

Faire glisser de nouveau la cuisinière de façon à ce que le pied arrière de la cuisinière se trouve dans la fente de la bride antibasculement.

Réengager la bride antibasculement si la cuisinière a été déplacée.

Ne pas faire fonctionner la cuisinière si la bride antibasculement n'est pas installée et engagée.

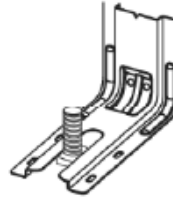
Le non-respect de ces instructions peut causer un décès ou des brûlures graves aux enfants et aux adultes.

Lorsqu'on déplace la cuisinière, la faire glisser sur une planche de carton ou un panneau de fibres dur pour éviter d'endommager le revêtement du sol.

Si le déplacement de la cuisinière est nécessaire pour le nettoyage ou l'entretien :

Cuisinières alimentées par cordon d'alimentation :

1. Faire glisser la cuisinière vers l'avant.
2. Fermer le robinet d'arrêt manuel.
3. Débrancher le cordon d'alimentation électrique.
4. Débrancher le conduit d'alimentation en gaz.
5. Effectuer le nettoyage ou l'entretien.
6. Rebrancher le conduit d'alimentation en gaz.
7. Ouvrir le robinet d'arrêt manuel sur la canalisation de gaz.
8. Brancher le cordon d'alimentation électrique.
9. Faire glisser la cuisinière vers l'arrière de sorte que le pied arrière de la cuisinière soit sous la bride antibasculement.



10. Voir la section "Vérifier que la bride antibasculement est bien installée et engagée" pour vérifier que la bride est bien engagée.
11. Vérifier que la cuisinière est d'aplomb.