



# 4.5 cu. ft. Front Load Washer

WFW5620H



White  
WFW5620HW

## Capacity

Total	4.5 cu. ft.
-------	-------------

## General Features & Properties

Intuitive Controls

Steam Clean Option

Sanitize Cycle

Quick Wash Cycle

Cold Wash Cycle

Presoak Option

Single Load Dispenser

Closet-Depth Fit

Smooth Wave Stainless Steel Wash Basket

## Electrical Details

Amps	15 or 20
------	----------

Volts	120
-------	-----

## Certifications

ADA Compliant	Yes
---------------	-----

ENERGY STAR® Certified	Yes
------------------------	-----

## Technical Details

Drum Material	Stainless Steel
---------------	-----------------

Control Location	Front
------------------	-------

Control Type	Tap Touch
--------------	-----------

Number of Cycles	37
------------------	----

Washer Cycle Selections	Bulky Items Clean Washer with affresh® Cold Wash Colors Delicates Drain & Spin Heavy Duty Normal Quick Wash Regular Sanitize with Oxi Towels Whites Wrinkle Control
-------------------------	--

Number of Options	9
-------------------	---

Washer Option Selections	Extra Rinse Steam Clean
--------------------------	----------------------------

## Dimensions

Product Dimensions (H x W x D)	38-5/8" x 27" x 31-9/16"
--------------------------------	--------------------------------

Depth with Door Open 90°	56-1/2"
--------------------------	---------

## Reference Material

[Install Guide](#)

[Use & Care Guide](#)

[Energy Guide](#)

[Warranty](#)

## Key Features & Benefits

### Load & Go™ Dispenser

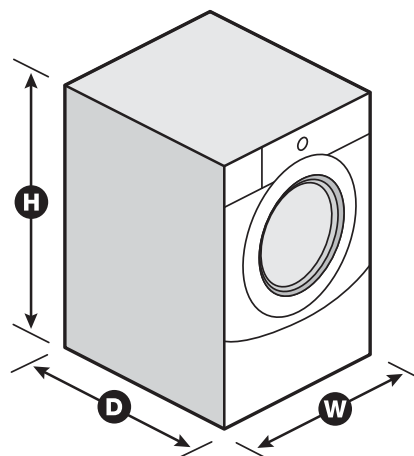
Skip steps with the Load & Go™ dispenser. Simply add detergent once and skip refills for 20 loads.\*

### 4.5 cu. ft. Capacity

Wash over three baskets of clothing in a single load and finish laundry fast with 4.5 cu. ft. washer capacity that offers enough space to handle larger loads.

### ENERGY STAR® Certified

ENERGY STAR® certified models exceed government standards to help conserve natural resources and save money on your utility bills.



\*Based on an 8-lb load. NOTE: Dimensions are for planning purposes only. For complete details, see Installation Instructions packed with product. Specifications subject to change without notice.