



# 2.2 cu. ft. Countertop Microwave

## UMC5225G



Fingerprint Resistant Stainless Steel  
UMC5225GZ

### Also available in:

- White **UMC5225GW**
- Black **UMC5225GB**

### Capacity

|       |             |
|-------|-------------|
| Total | 2.2 cu. ft. |
|-------|-------------|

### General Features & Properties

Built-In Trim Kit (Optional)

Sensor Cooking

Control Lockout Option

Add 30 Seconds Option

Variable Cooking Power

Popcorn Button

Mesh Grease Filter

ADA Compliant

### Electrical Details

|      |    |
|------|----|
| Amps | 15 |
|------|----|

|       |     |
|-------|-----|
| Volts | 120 |
|-------|-----|

### Certifications

|               |     |
|---------------|-----|
| ADA Compliant | Yes |
|---------------|-----|

### Technical Details

|                |            |
|----------------|------------|
| Microwave Type | Countertop |
|----------------|------------|

|               |              |
|---------------|--------------|
| Lighting Type | Incandescent |
|---------------|--------------|

### Dimensions

|                                   |                                |
|-----------------------------------|--------------------------------|
| Product Dimensions<br>(H x W x D) | 12-9/16" x<br>24" x<br>19-5/8" |
|-----------------------------------|--------------------------------|

### Reference Material

[Install Guide](#)

[Use & Care Guide](#)

[Warranty](#)

## Key Features & Benefits

### Fingerprint Resistant Stainless Steel

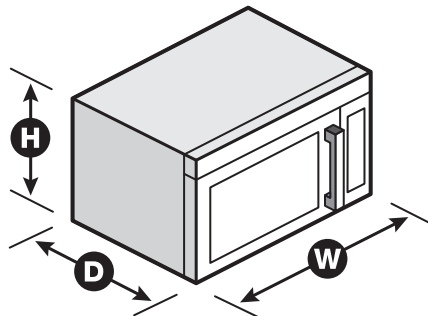
Easy-to-clean, fingerprint resistant stainless steel keeps your microwave looking as good on the outside as it works on the inside.

### 2.2 cu. ft. Capacity

With 2.2 cu. ft. capacity, you can enjoy the space to heat or cook in your large casserole dishes and pans that are usually left to the oven.

### Countertop Design

Built tough to take on your cooking needs, this countertop microwave brings powerful features that are an easy reach away.



NOTE: Dimensions are for planning purposes only. For complete details, see Installation Instructions packed with product. Specifications subject to change without notice.

®/™ © 2020. All rights reserved. Printed in the U.S.A. D200104XXE. UMC5225GSpecSheetV01.