



5.2 cu. ft. Undercounter Beverage Center

WUB50X24H



Fingerprint-Resistant Stainless
WUB50X24HZ

Capacity

Total Capacity 5.2 cu. ft

General Features & Properties

Reversible Glass Door

Temperature Sensor Alert

Fingerprint Resistant

Electronic Temperature Controls

Electrical Details

Amps 15 or 20

Volts 115

Certifications

ENERGY STAR® Certified Yes

Technical Details

Refrigerator Type Undercounter

Number of Shelves 1 Adjustable, 1 Fixed

Number of Racks 2

Lighting Type LED

Control Location Center Divider

Installation Option Freestanding or Built-In

Dimensions

Product Dimensions (H x W x D) 34-1/2" x 23-15/16" x 25-5/8"

Depth with Door Open 90° 46-1/4"

Cutout Dimensions (H x W) 34-1/2" x 24"

Reference Material


[Dimension Guide](#)

[Use & Care Guide](#)

[Energy Guide](#)

[Warranty](#)

Also available in:

-  Fingerprint-Resistant Black Stainless **WUB50X24HV**

Key Features & Benefits

LED Interior Lighting

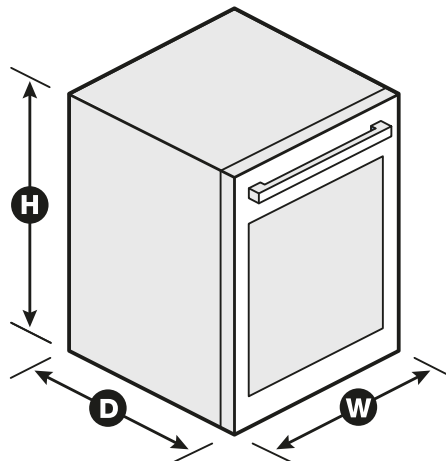
Keep drinks looking as good as they taste. Light is cast inside so everything looks like it's supposed to.

Wine Storage

Conveniently store up to 14 bottles of wine in a designated area.

Dual-Temperature Controlled Zone

Customize up to two different temperatures to accommodate whatever beverages you're storing.



NOTE: Dimensions are for planning purposes only. For complete details, see Installation Instructions packed with product. Specifications subject to change without notice.

®/™ © 2020. All rights reserved. Printed in the U.S.A. D200052XXC. WUB50X24HSPECSHEETV01.