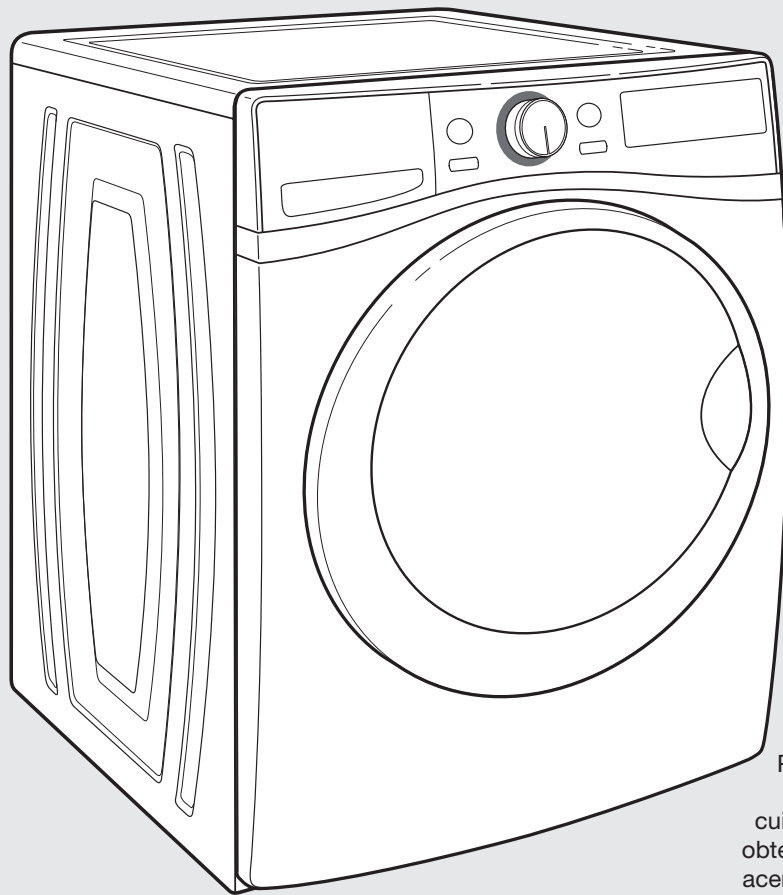




Use & Care Guide Guide d'utilisation et d'entretien

Front-Loading Automatic Washer Laveuse automatique à chargement frontal



Para obtener acceso al Manual de uso y cuidado en español, o para obtener información adicional acerca de su producto, visite: www.whirlpool.com

If you have any problems or questions, visit us at www.whirlpool.com
Pour tout problème ou toute question, consulter www.whirlpool.ca

W10891955A
W10891956A – SP



Designed to use only HE High Efficiency detergents.
Conçue pour l'utilisation d'un détergent haute efficacité seulement.

Table of Contents

WASHER SAFETY	3
ACCESSORIES.....	4
CONTROL PANEL AND FEATURES	5
CYCLE GUIDE	9
CHOOSING THE RIGHT DETERGENT	12
USING THE DISPENSER DRAWER	12
USING THE LOAD & GO™ DISPENSER DRAWER	13
USING YOUR WASHER.....	14
WASHER MAINTENANCE	19
TROUBLESHOOTING	23
WARRANTY	32
ASSISTANCE OR SERVICE	Back Cover

Table de matières

SÉCURITÉ DE LA LAVEUSE	33
ACCESSOIRES.....	34
TABLEAU DE COMMANDE ET CARACTÉRISTIQUES.....	35
GUIDE DE PROGRAMMES	39
CHOIX DU DÉTERGENT APPROPRIÉ.....	42
UTILISATION DU TIROIR DU DISTRIBUTEUR	42
UTILISATION DU TIROIR DISTRIBUTEUR LOAD & GO™ ...	43
UTILISATION DE LA LAVEUSE	44
ENTRETIEN DE LA LAVEUSE	49
DÉPANNAGE	53
GARANTIE	64
ASSISTANCE OU SERVICE.....	Couverture arrière

Washer Safety

Your safety and the safety of others are very important.

We have provided many important safety messages in this manual and on your appliance. Always read and obey all safety messages.



This is the safety alert symbol.

This symbol alerts you to potential hazards that can kill or hurt you and others.

All safety messages will follow the safety alert symbol and either the word "DANGER" or "WARNING." These words mean:

⚠ DANGER

You can be killed or seriously injured if you don't immediately follow instructions.

⚠ WARNING

You can be killed or seriously injured if you don't follow instructions.

All safety messages will tell you what the potential hazard is, tell you how to reduce the chance of injury, and tell you what can happen if the instructions are not followed.

IMPORTANT SAFETY INSTRUCTIONS

WARNING: To reduce the risk of fire, electric shock, or injury to persons when using the washer, follow basic precautions, including the following:

- Read all instructions before using the washer.
- Do not wash articles that have been previously cleaned in, washed in, soaked in, or spotted with gasoline, dry-cleaning solvents, other flammable, or explosive substances as they give off vapors that could ignite or explode.
- Do not add gasoline, dry-cleaning solvents, or other flammable, or explosive substances to the wash water. These substances give off vapors that could ignite or explode.
- Under certain conditions, hydrogen gas may be produced in a hot water system that has not been used for 2 weeks or more. HYDROGEN GAS IS EXPLOSIVE. If the hot water system has not been used for such a period, before using the washing machine, turn on all hot water faucets and let the water flow from each for several minutes. This will release any accumulated hydrogen gas. As the gas is flammable, do not smoke or use an open flame during this time.
- Do not allow children to play on or in the washer. Close supervision of children is necessary when the washer is used near children.
- Before the washer is removed from service or discarded, remove the door or lid.
- Do not reach into the washer if the drum, tub or agitator is moving.
- Do not install or store the washer where it will be exposed to the weather.
- Do not tamper with controls.
- Do not repair or replace any part of the washer or attempt any servicing unless specifically recommended in this manual or in published user-repair instructions that you understand and have the skills to carry out.
- See "Electrical Requirements" for grounding instructions.

SAVE THESE INSTRUCTIONS

State of California Proposition 65 Warnings:

WARNING: This product contains one or more chemicals known to the State of California to cause cancer.

WARNING: This product contains one or more chemicals known to the State of California to cause birth defects or other reproductive harm.

Accessories

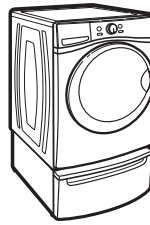
INSTALLATION & MAINTENANCE ACCESSORIES

FACTORY CERTIFIED PARTS – these three words represent quality parts and accessories designed specifically for your appliance. Time tested engineering that meets our strict quality specifications.

FACTORY CERTIFIED PARTS

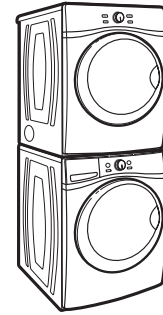
Accessories designed for your appliance:

Customize your new washer and dryer with the following genuine Whirlpool accessories. For more information on options and ordering, call **1-866-698-2538** or visit us at: www.whirlpool.com/accessories. In Canada, call **1-800-688-2002** or visit us at www.whirlpool.ca.



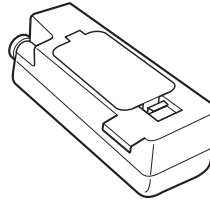
15" Pedestal

Color-matched pedestals raise the washer and dryer to a more comfortable working height. The large drawer provides convenient storage.



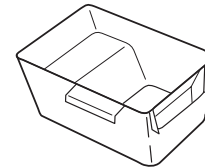
Stack Kit

If space is at a premium, the stack kit allows the dryer to be installed on top of the washer.



Load & Go™ Liquid HE Detergent Cartridge (on some models)

If you frequently alternate between two different liquid HE detergents, you may also purchase an additional cartridge.



Single-Dose Liquid HE Detergent Cup (on some models)

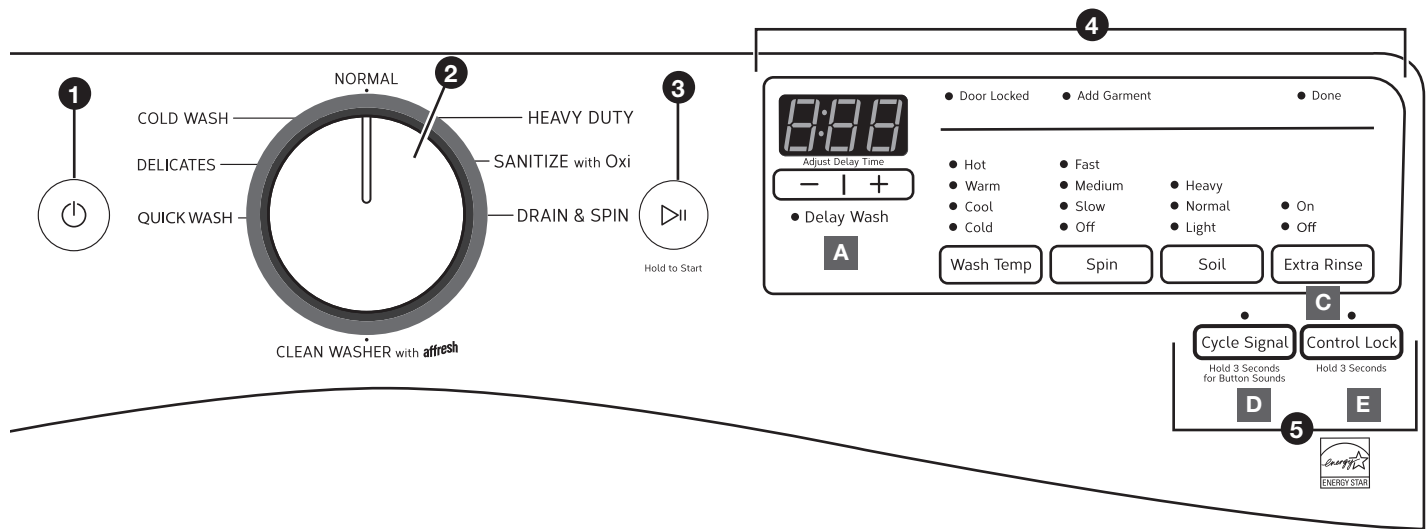
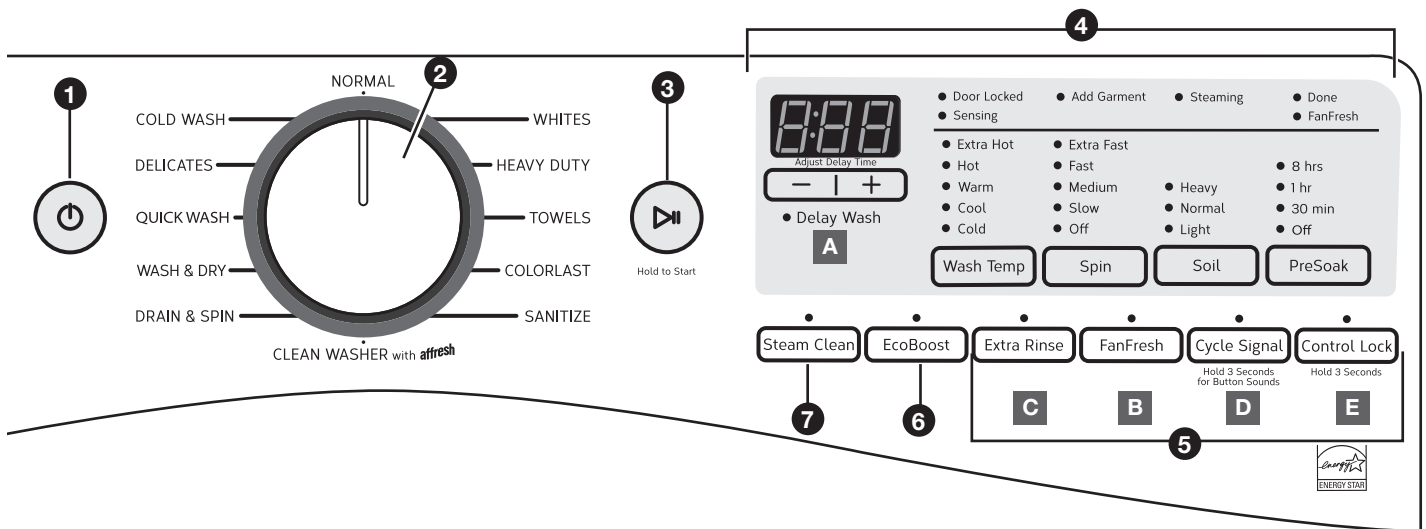
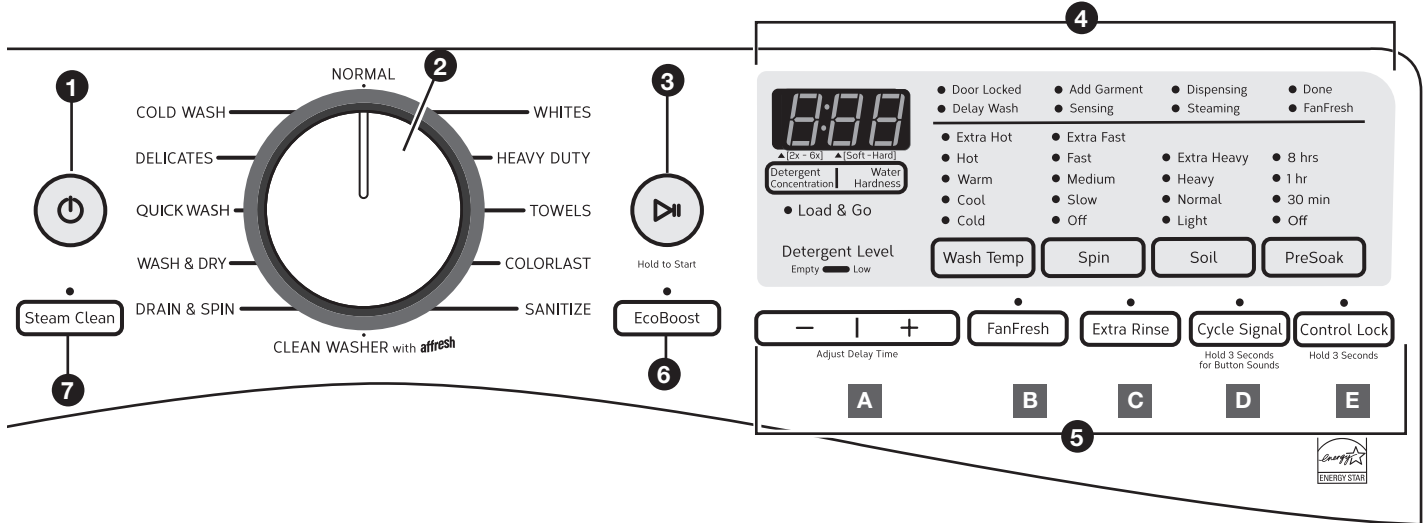
The cup provides a way to dispense a single dose of liquid detergent.

Control Panel and Features

Not all features and cycles are available on all models.

NOTES:

- The control panel features a sensitive surface that responds to a light touch of your finger. To ensure your selections are registered, touch the control panel with your fingertip, not your fingernail. When selecting a setting or option, simply touch its name.
- At cycle completion, your setting and option choices will be remembered for your next use of that cycle. However, if power is lost to the washer, the settings and options will go back to the factory defaults.



1 POWER

Touch to turn the washer on and off. Touch to stop/cancel a cycle at any time.

NOTE: Turning the Wash Cycle knob will also turn the washer on.

2 WASH CYCLE KNOB

Turn the knob to select a cycle for your laundry load. An LED will light up for the cycle selected.

NOTE: The Clean Washer with affresh® LED will flash when the washer has run 30 wash cycles as a reminder to run the Clean Washer with affresh® cycle.

See “Cycle Guide” for detailed descriptions of cycles.

NOTE: For best results when using the Wash & Dry cycle, use for loads weighing 2 lbs and less, such as a soccer uniform or a running tank and shorts. Allow the cycle to run the full duration of 12 hours.

3 START

Touch and hold for 3 seconds until the light above Start comes on to start a cycle, or touch once while a cycle is in process to pause it. If you want to add a garment, you can touch START when the “Add Garment” LED is on.

4 LED DISPLAY AND SETTINGS

When you select a cycle, its default settings will light up and the Estimated Time Remaining will be displayed. Factors such as load size, wash temperature, and water pressure may affect the time shown in the display. Tightly packing, unbalanced loads, or excessive suds may cause the washer to lengthen the cycle time, as well.

Touch the desired setting along the bottom of the display to adjust. See “Cycle Guide” for available settings on each cycle. Not all settings are available with all cycles.

Cycle Status Lights

For details, see “Cycle Status Lights” section.

Load & Go™ – Detergent Concentration and Water Hardness (on some models)

Touch DETERGENT CONCENTRATION to set detergent concentration from 2x to 6x. Touch WATER HARDNESS to set water hardness (normal, hard, or soft). For details, see “About Detergent Concentration” section.

IMPORTANT: When using the dispenser cartridge with concentrated liquid detergent, be sure to change the detergent concentration settings in the control if the detergent used is different than factory preset of 2x concentration.

Wash Temp

The recommended wash temperature is preset for each cycle. You may also select a wash temperature based on the type of fabric and soils being washed. For best results, use the warmest wash water safe for your fabric, following the garment label instructions. All wash temperatures feature a cold rinse.

Spin

This washer automatically selects the spin speed based on the cycle selected. Some preset speeds can be changed.

- Faster spin speeds mean shorter dry times, but may increase wrinkling in your load.
- Slower spin speeds reduce wrinkling, but will leave your load more damp.

Soil

Soil level (wash time) is preset for each wash cycle. When you change the soil setting, the cycle time will increase or decrease in the Estimated Time Remaining display.

For most loads, use the soil level that is preset with the cycle you have chosen. For heavily soiled and sturdy fabrics, use the Soil setting to select more wash time. For lightly soiled and delicate fabrics, use the Soil setting to select less wash time. Lower soil level settings will help reduce tangling and wrinkling.

Presoak

Touch to add a Presoak time of your choice to a wash cycle. Items will gently tumble through the detergent and water for the selected time to help loosen tough stains.

5 OPTIONS

Touch to activate additional wash options or additional features on the washer before touching START. Additional wash options or additional features selected after touching Start may not activate.

Once a wash option or additional feature is selected, it is saved for the cycle selected. To return to factory default cycle settings, unplug washer for 30 seconds; then plug back in.

A Adjust Delay Time

Touch – or + to delay the start of the wash cycle by up to 8 to 12 hours depending on your model.

B FanFresh® Option (on some models)

The FanFresh® option will periodically tumble the load after the end of the cycle for up to 12 hours, while the integrated fan circulates air through the washer to reduce humidity. To turn on the FanFresh® option, touch FanFresh. If, however, the FanFresh® option is turned on, it will stay on for all future cycles until turned back off – the washer remembers the last on/off status set. To turn off the FanFresh® option, touch FANFRESH.

You may also activate the FanFresh® option without running a cycle by touching and holding POWER for one second, then touching and holding FANFRESH for 3 seconds, then touching and holding START for 3 seconds.

To turn off the FanFresh® option when it is running, touch POWER.

NOTE: The door will lock while the FanFresh® option is active. To cancel the option and unlock the door, touch POWER.

C Extra Rinse

Activate this option to add an extra rinse to most cycles.

NOTE: Extra Rinse can also be used to turn on the Drum Light (on some models). Simply touch and hold EXTRA RINSE for 3 seconds.

D Cycle Signal

Use this option to set the volume level or turn off the signal that sounds at end of cycle.

With each touch of the Cycle Signal, a number is displayed for the sound level selected: 0 = off, 1 = low, 2 = medium, 3 = high.

NOTE: Touch-tone volume does not change.

To turn off the tones that sound when a setting is touched: Touch and hold CYCLE SIGNAL for about 3 seconds. Repeat to turn them on.

E Control Lock

Touch and hold for 3 seconds to lock the controls to avoid unwanted changes or operation. Touch and hold 3 seconds again to unlock. For each second CONTROL LOCK is held down, the display will count down one second: you will see “3,” then “2,” then “1.” You may still touch START to pause the cycle, or touch POWER to turn off the washer.

ADDITIONAL OPTION

Drum Light (on some models)

Touch and hold EXTRA RINSE for 3 seconds to turn on the Drum Light.

6 ECOBOOST™ OPTION

Touch to activate the EcoBoost™ option. The EcoBoost™ option provides additional energy savings through reduced hot water usage and maintains cleaning performance by lengthening the wash time on some cycles.

NOTE: Energy savings may vary across loads and cycles.

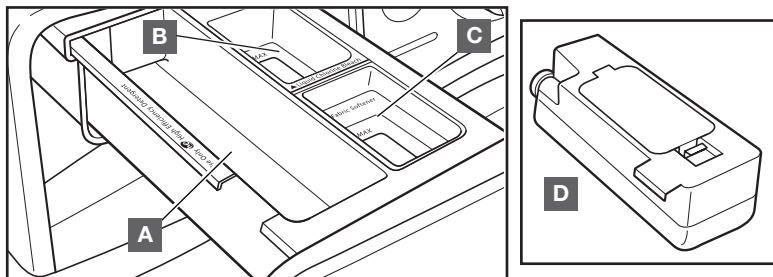
7 STEAM CLEAN OPTION

The Steam Clean option adds additional soak and wash time to many cycles to help remove tough stains, as well as a steam boost for added cleaning power. An integrated heater helps to maintain optimal wash temperatures. See the “Cycle Guide” for cycles that allow the Steam Clean option.

8 DISPENSERS

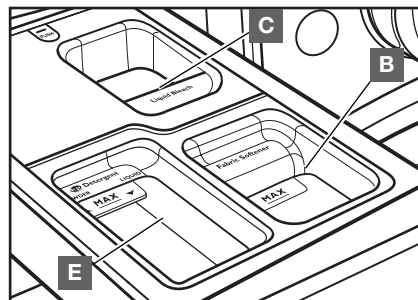
Load & Go™ Dispenser Drawer (on some models)

The Load & Go™ dispenser drawer gives you the convenience of automatically adding HE detergent, liquid chlorine bleach, and liquid fabric softener to the wash load at the proper time. See “Using the Load & Go™ Dispenser Drawer” for information on using the dispenser drawer.



Dispenser Drawer (on some models)

The dispenser drawer gives you the convenience of adding HE detergent, liquid chlorine bleach, and liquid fabric softener to the wash load at the proper time. See “Using the Dispenser Drawer” for information on using the dispenser drawer.



A Powdered High Efficiency “HE” detergent compartment

This compartment holds powdered HE detergent for a single load.

B Liquid fabric softener compartment

Automatically dilutes and dispenses liquid fabric softener at the optimum time in the cycle.

■ Use only liquid fabric softener in this dispenser.

C Liquid chlorine bleach compartment

Automatically dilutes and dispenses liquid chlorine bleach at the optimum time during the first rinse after the wash cycle. This compartment cannot dilute powdered bleach.

D Load & Go™ Liquid High Efficiency “HE” detergent cartridge

Each dispenser cartridge holds up to 18.5 oz. (550 ml) of liquid HE detergent, enough for up to 36[†] loads, depending on cycle and detergent concentration. The cartridge fits into compartment (B) of the dispenser drawer for convenient loading.

■ Change detergent concentration setting if detergent used is different than factory preset of 2x concentration. See “About Detergent Concentration” section.



■ Change water hardness setting if desired level is different than factory preset of Normal.



E Liquid High Efficiency “HE” detergent compartment

This compartment holds liquid or powdered HE detergent for your main wash cycle.





[†]The number of loads will vary, depending on detergent concentration, load size, cycle used, and soil level. The maximum capacity of up to 36 loads requires use of 6x concentration detergent.






Cycle Guide

Settings and options shown in **bold** are default settings for that cycle. For best fabric care, choose the cycle, options, and settings that best fit the load being washed. Not all settings are available with each cycle, and some options cannot be used together. Not all cycles and options are available on all models.

Load Size Recommendations

For best results, follow the load size recommendations noted for each cycle.

- 
Small load: Fill the washer drum with 3–4 items, not more than ¼ full.
- 
Large load: Fill the washer drum up to about ¾ full.
- 
Medium load: Fill the washer drum up to about ½ full.
- 
Extra-large load: Fill the washer drum, but make sure clothes can tumble freely. For best results, avoid packing tightly.

Items to wash using default cycle settings:	Cycle:	Wash Temperature:*	Spin Speed:***	Soil Level:	Available Options:	Cycle Details:
Normally soiled cottons, linens, sheets, and mixed garment loads	Normal	Extra Hot Hot Warm Cool Cold	Extra Fast Fast Medium Off	Extra Heavy Heavy Normal Light	Steam Clean** FanFresh® Extra Rinse PreSoak Delay Wash	 This cycle combines medium-speed tumbling and an extra-fast-speed spin. This cycle is designed to provide the most energy efficiency.
Heavily soiled white fabrics and garments	Whites	Extra Hot Hot Warm Cool Cold	Extra Fast Fast Medium Slow Off	Extra Heavy Heavy Normal Light	Steam Clean** EcoBoost™ FanFresh® Extra Rinse PreSoak Delay Wash	 Uses a longer wash time with fast-speed tumbling, extra rinsing, and an extra fast-speed spin to provide optimal cleaning and rinsing when bleach is used.
Sturdy colorfast fabrics and heavily soiled garments	Heavy Duty	Extra Hot Hot Warm Cool Cold	Extra Fast Fast Medium Slow Off	Extra Heavy Heavy Normal Light	Steam Clean** EcoBoost™ FanFresh® Extra Rinse PreSoak Delay Wash	 Fast-speed tumbling and an extra-fast-speed final spin help provide optimal cleaning and reduce drying times.
Sturdy towels and wash cloths	Towels	Extra Hot Hot Warm Cool Cold	Extra Fast Fast Medium Slow Off	Extra Heavy Heavy Normal Light	Steam Clean** EcoBoost™ FanFresh® Extra Rinse PreSoak Delay Wash	 Provides fast-speed tumbling, longer wash time, normal rinsing, and an extra fast-speed spin to shorten drying time.
Bright or darkly colored cottons, linens, casual and mixed loads	Colorlast	Extra Hot Hot Warm Cool Cold	Extra Fast Fast Medium Slow Off	Extra Heavy Heavy Normal Light		 This cycle combines gentle tumbling and soaking to protect colors and provide a gentle cleaning.

*All temperature selections feature a Cold rinse.

**The Steam Clean option is only available when a Warm, Hot, or Extra Hot water temperature is selected.

***Spin speed varies by model.

Continued on next page






Items to wash using default cycle settings:	Cycle:	Wash Temperature:*	Spin Speed:***	Soil Level:	Available Options:	Cycle Details:
Clothing, bedding, and towels requiring sanitization	Sanitize	Extra Hot	Extra Fast Fast Medium Slow Off	Extra Heavy Heavy Normal Light	Steam Clean** FanFresh® Extra Rinse Delay Wash	● This cycle eliminates 99.99% of the most common bacteria found in clothes, sheets, and towels. The extra hot wash temperature ensures sanitization. Check recommended wash temperature of your items. Bacteria tested were K. pneumonia, P. aureginosa, and S. aureus.
	Eco Sanitize with Oxi	Hot	Fast Medium Slow Off	Heavy Normal Light	FanFresh® Extra Rinse Delay Wash	● This cycle eliminates 99.99% of the most common bacteria found in clothes, sheets, and towels. Using the highest wash temperature available and adding a powdered Oxi product in the drum ensures sanitization. Check recommended wash temperature of your items and use the amount of Oxi recommended by the manufacturer. Bacteria tested were K. pneumonia, P. aureginosa, and S. aureus.
No clothes in washer	Clean Washer with affresh®					Use this cycle every 30 washes to keep the inside of your washer fresh and clean. This cycle uses a higher water level. Use with affresh® washer cleaner tablet or regular liquid chlorine bleach to thoroughly clean the inside of your washer. This cycle should not be interrupted. See "Washer Care." IMPORTANT: Do not place garments or other items in the washer during the Clean Washer with affresh® cycle. Use this cycle with an empty wash tub. Do not use thickened, easy-pour, or no-splash bleach when running the Clean Washer with affresh® cycle as excess suds may occur. See "Washer Care" in "Washer Maintenance."
Wet load of clothes	Drain & Spin	N/A	Extra Fast Fast Medium Slow Off	N/A	FanFresh® Delay Wash	● Use Drain & Spin to remove excess water from the load. Spin speed can be set to a slower setting.

*All temperature selections feature a Cold rinse.

**The Steam Clean option is only available when a Warm, Hot, or Extra Hot water temperature is selected.

***Spin speed varies by model.

Continued on next page

Items to wash using default cycle settings:	Cycle:	Wash Temperature:*	Spin Speed:***	Soil Level:	Available Options:	Cycle Details:
Swimwear, items that need rinsing	Drain & Spin with Extra Rinse	Extra Hot Hot Warm Cool Cold	Extra Fast Fast Medium Slow Off	Extra Heavy Heavy Normal Light	FanFresh® Delay Wash	 Select Drain & Spin; then select Extra Rinse to add water. The cycle includes an extra-fast-speed spin. For some fabrics, you may wish to set the spin speed to a slower setting.
2–4 lightly soiled synthetic garments, athletic uniforms, or workout wear	Wash & Dry	Extra Hot Hot Warm Cool Cold	Extra Fast	Extra Heavy Heavy Normal Light	Steam Clean** FanFresh® Extra Rinse PreSoak Delay Wash	 This short wash cycle has an extra-fast-speed spin followed by intermittent tumbling and fan activation to circulate air through the clothes.
Small loads of 2–4 lightly soiled garments	Quick Wash	Extra Hot Hot Warm Cool Cold	Extra Fast Fast Medium Slow Off	Extra Heavy Heavy Normal Light	Steam Clean** FanFresh® Extra Rinse PreSoak Delay Wash	 For small loads (2–4 items) needed quickly. This cycle combines fast-speed tumbling, a shortened wash time, and an extra-fast-speed spin for reduced drying times.
Sheer fabrics, lingerie, sweaters, and lightly soiled shirts, blouses, trousers, pants, and skirts	Delicates	Extra Hot Hot Warm Cool Cold	Extra Fast Fast Medium Slow Off	Extra Heavy Heavy Normal Light	Steam Clean** FanFresh® Extra Rinse PreSoak Delay Wash	 This cycle combines slow-speed tumbling and slow-speed spin for gentle fabric care and reduced wrinkling.
Bright or darkly colored cottons, linens, casual and mixed loads	Cold Wash	Cold	Extra Fast Fast Medium Off	Extra Heavy Heavy Normal Light	FanFresh® Extra Rinse Delay Wash	 This cycle uses a concentrated detergent solution along with cold water throughout the cycle to gently lift out stains and care for fabrics.

*All temperature selections feature a Cold rinse.

**The Steam Clean option is only available when a Warm, Hot, or Extra Hot water temperature is selected.

***Spin speed varies by model.

Choosing the Right Detergent

Use only High Efficiency detergents. The package will be marked "HE" or "High Efficiency." Low-water washing creates excessive sudsing with a non-HE detergent. Using non-HE detergent will likely result in longer cycle times and reduced rinsing performance. It may also result in component malfunction and, over time, buildup of mold or mildew. HE detergents should be low-sudsing and quick-dispersing to produce the right amount of suds for the best performance. They should hold soil in suspension so it is not redeposited onto clean clothes. Not all detergents labeled as High Efficiency are identical in formulation and their ability to reduce suds. For example, natural, organic, or homemade HE detergents may generate a high level of suds. If you use one of these and see a "SUD" error code appear in the display, consider using a different HE detergent. Always follow the detergent manufacturer's instructions to determine the amount of detergent to use.



Use only High Efficiency (HE) detergent.

About Detergent Concentration

Today's liquid HE detergents are concentrated. Most brands of concentrated HE detergent will show the level of concentration on the bottle. If so, simply set the concentration level in the Load & Go™ menu to match the level shown on the bottle.

However, if the detergent bottle does not give the concentration, it can be easily calculated. Just divide the package size in fluid ounces by the number of loads. Then refer to the chart below to find the concentration.

If you do not get your desired cleaning results, try using a lower concentration number. If you have excess suds, try using a higher concentration number.

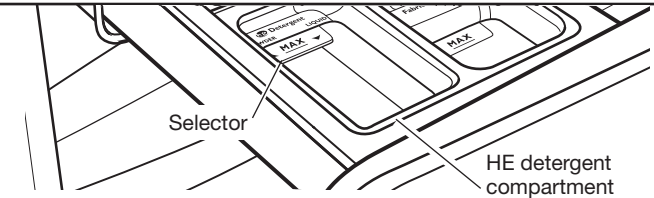
Concentration	Number of ounces ÷ number of loads
2X	1.5–2.49
3X	0.9–1.49
4X	0.7–0.89
5X	0.5–0.69
6X	0.3–0.49

Using the Dispenser Drawer (on some models)

1. Open the dispenser drawer.
2. Add laundry products as described in steps 4–6 in the "Using Your Washer" section.
3. Slowly close the dispenser drawer. Make sure it is completely closed.

NOTE: A small amount of water may remain in the dispensers from the previous wash cycle. This is normal.

Adding HE detergent to dispenser

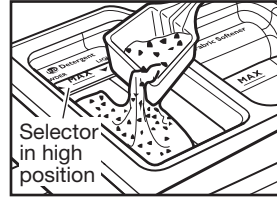


Pour a measured amount of HE detergent into detergent compartment. For powdered detergent, lift the selector to the high position. For liquid detergent, push down the selector to the low position.

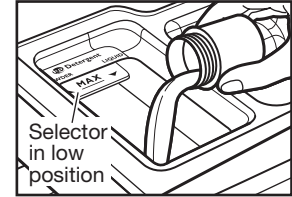


Use only High Efficiency (HE) detergent.

Do not overfill; adding too much detergent may cause detergent to be dispensed into the washer too early.



Powdered detergent:
Lift the selector to the high position.



Liquid detergent:
Push down the selector to the low position.

IMPORTANT:

- Do not add single-dose laundry packet to dispenser drawer.
- Use powdered detergent when using the Delay Wash option. Liquid detergent may seep out before the wash begins.

Using the Load & Go™ Dispenser Drawer (on some models)

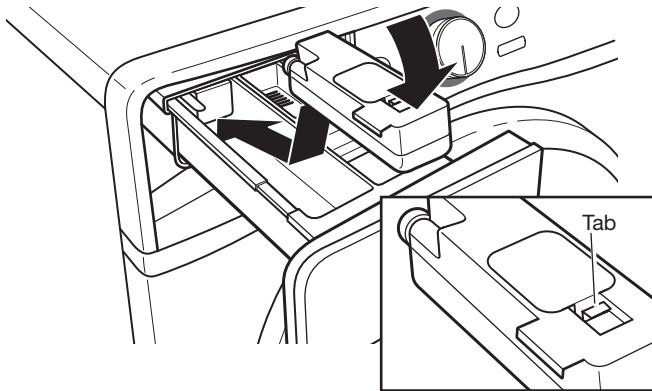
1. Open the dispenser drawer.
2. Add laundry products as described in steps 4–6 in the “Using Your Washer” section.
3. Slowly close the dispenser drawer. Make sure it is completely closed.

NOTES:

- A small amount of water may remain in the dispensers from the previous wash cycle. This is normal.
- See “About Detergent Concentration” for information on detergent concentration.
- To ensure you have enough detergent in the dispenser, the display will show the detergent level (Low or Empty).
- Add single-dose and Oxi-type boosters, see “Using Your Washer” section.

Adding HE detergent to dispenser

Load & Go™ cartridge



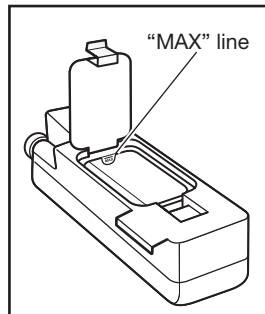
Use only HE High Efficiency liquid detergents. The dispenser cartridge will hold about 18.5 oz. (550 ml) of HE liquid detergent, or enough for up to 36 loads.[†]



Use only High Efficiency (HE) detergent.

To Fill:

Push back on the tab and lift the fill door. Fill to the “MAX” line (see illustration at right) with HE liquid detergent. Close fill door. It will click into place.



To Install the Dispenser Cartridge:

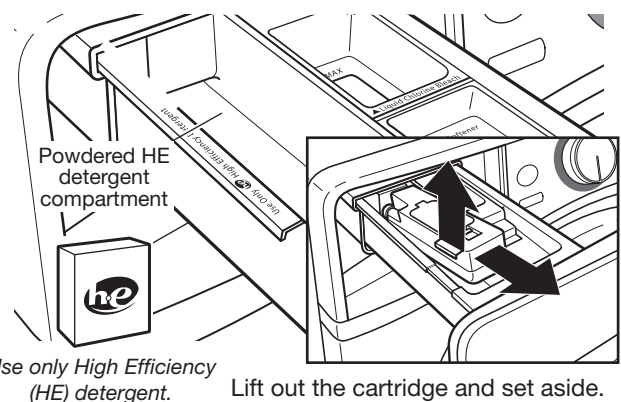
1. Pull out the dispenser drawer.
2. Insert the dispenser cartridge completely in detergent compartment as shown. It should click into position.
3. Slowly slide the dispenser drawer in until it is completely closed. The washer will automatically detect the dispenser cartridge.

NOTE:

- The dispenser cartridge should be rinsed out when changing detergents or when the washer will not be used for extended periods. For instructions on cleaning the dispenser cartridge, see “Washer Maintenance.”

[†]The number of loads will vary, depending on detergent concentration, load size, cycle used, soil level, and water hardness. The maximum capacity of up to 36 loads requires use of 6x concentration detergent.

Adding detergent for a single load

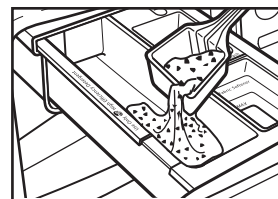


Use only High Efficiency (HE) detergent.

Lift out the cartridge and set aside.

Powdered HE detergent

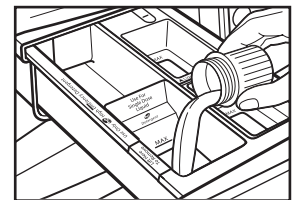
Place a measured amount of detergent in the powdered HE detergent compartment.



Powdered detergent:
Add directly to the compartment.

Liquid HE detergent

A single dose of liquid detergent can be added to the Single-Dose Liquid HE Detergent Cup, which you can purchase (see “Accessories” section).



Liquid detergent:
Add to detergent cup.

IMPORTANT:

- Do not use liquid detergents in the single-load compartment; liquid detergents may seep out of the detergent compartment before the main wash begins.
- Do not add single-dose laundry packet to dispenser drawer.
- If you are using the Delay Wash option, use of the dispenser cartridge is recommended, or powdered detergent may be used in the HE powdered detergent compartment.

Using two liquid HE detergents

If you frequently alternate between two different liquid HE detergents, you can purchase an additional Load & Go™ cartridge.

See “Accessories” for ordering information.

Using Your Washer

⚠️ WARNING



Fire Hazard

Never place items in the washer that are dampened with gasoline or other flammable fluids.

No washer can completely remove oil.

Do not dry anything that has ever had any type of oil on it (including cooking oils).

Doing so can result in death, explosion, or fire.

⚠️ WARNING



Electrical Shock Hazard

Plug into a grounded 3 prong outlet.

Do not remove ground prong.

Do not use an adapter.

Do not use an extension cord.

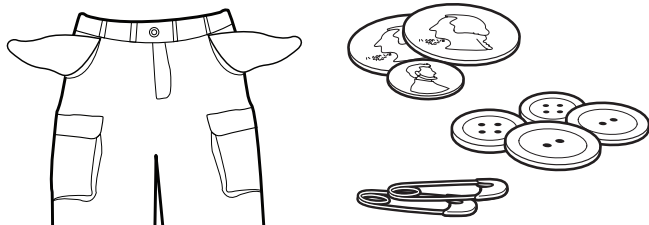
Failure to follow these instructions can result in death, fire, or electrical shock.

First wash cycle without laundry

Before washing clothes for the first time, add liquid or powdered HE detergent to the detergent dispenser. Choose the QUICK WASH cycle and run it without clothes. Use only HE detergent. This initial cycle serves to ensure the interior is clean and the dispenser drawer is ready for use before washing clothes.

- Turn knits inside out to prevent pilling. Separate lint-takers from lint-givers. Synthetics, knits, and corduroy fabrics will pick up lint from towels, rugs, and chenille fabrics.
- Do not dry garments if stains remain after washing because heat can set stains into fabric.
- Always read and follow fabric care labels and laundry product instructions. Improper usage may cause damage to your garments.

1. Sort and prepare your laundry

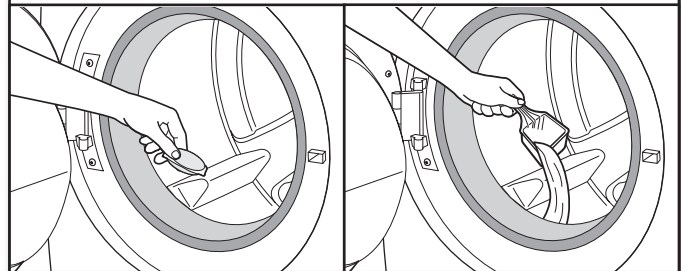


Sort items by recommended cycle, water temperature, and colorfastness. Separate heavily soiled items from lightly soiled. Separate delicate items from sturdy fabrics. Treat stains promptly and check for colorfastness by testing stain remover products on an inside seam.

IMPORTANT:

- Empty pockets. Loose change, buttons, or any small object can plug pumps and may require a service call.
- Close zippers, fasten hooks, tie strings and sashes, and remove non-washable trim and ornaments.
- Mend rips and tears to avoid further damage to items during washing.

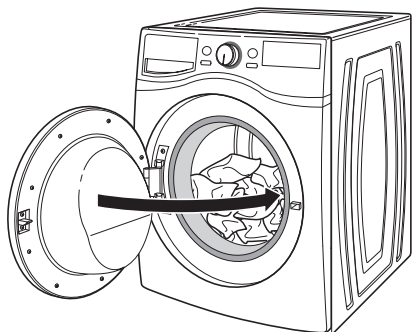
2. Add laundry products (if desired)



Single-dose laundry packets, Oxi-type boosters, color-safe bleach, or fabric softener crystals can be added to the drum prior to adding laundry.

NOTE: Always follow manufacturer's instructions.

3. Load laundry into washer

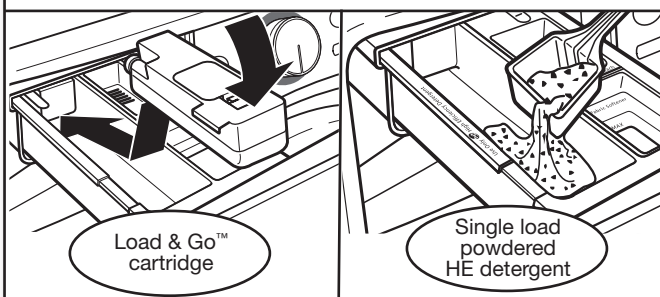


Place a load of sorted items loosely in the washer. Items need to move freely for best cleaning and to reduce wrinkling and tangling. Close the washer door by pushing it firmly until the latch clicks.

- Depending on load type and cycle, the washer can be fully loaded, but not tightly packed. Washer door should close easily. See “Cycle Guide” for loading suggestions.
- Mix large and small items and avoid washing single items. Load evenly.
- Wash small items in mesh garment bags. For multiple items, use more than one bag and fill bags equally.

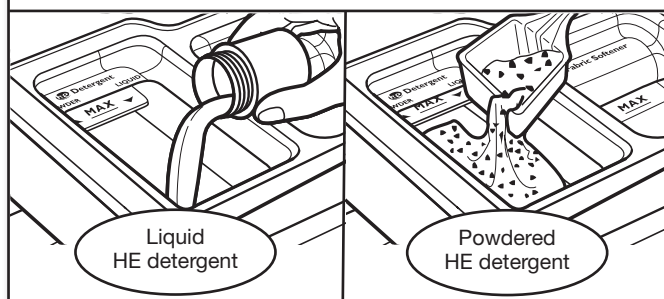
4. Add HE detergent

Load & Go™ Dispenser Drawer



Select detergent dispenser, based on type of HE detergent used (either liquid or powdered). See “Using the Load & Go™ Dispenser Drawer” instructions on how to use the dispenser.

Dispenser Drawer

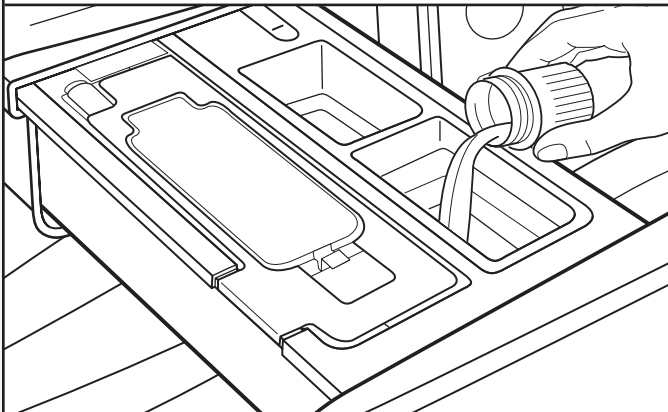


Adjust the selector, based on type of HE detergent used (either liquid or powdered). See “Using the Dispenser Drawer” instructions on how to use the dispenser.

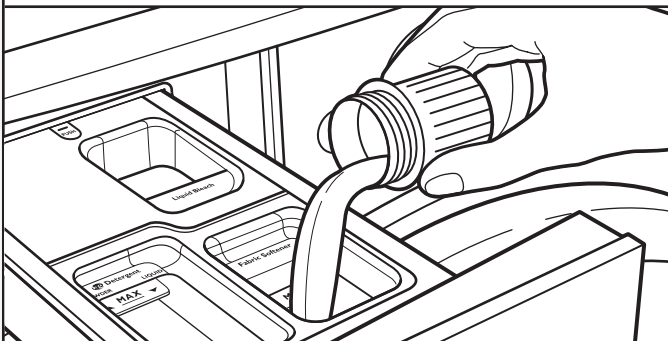
NOTE: Do not add single-dose laundry packets, Oxi-type boosters, color-safe bleach, or fabric softener crystals to dispensers. They will not dispense correctly.

5. Add liquid fabric softener to dispenser (if desired)

Load & Go™ Dispenser Drawer



Dispenser Drawer



Pour a measured amount of liquid fabric softener into liquid fabric softener compartment. Always follow manufacturer's directions for correct amount of fabric softener based on your load size.

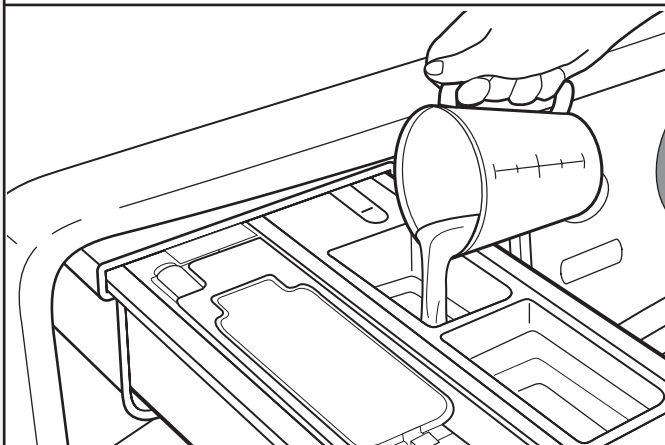
Fabric softener is always dispensed in the last rinse, even if Extra Rinse is selected.

IMPORTANT: Do not overfill, dilute, or use more than ¼ cup (60 mL) of fabric softener. Do not fill past the Max line. Overfilling dispenser will cause fabric softener to immediately dispense into washer.

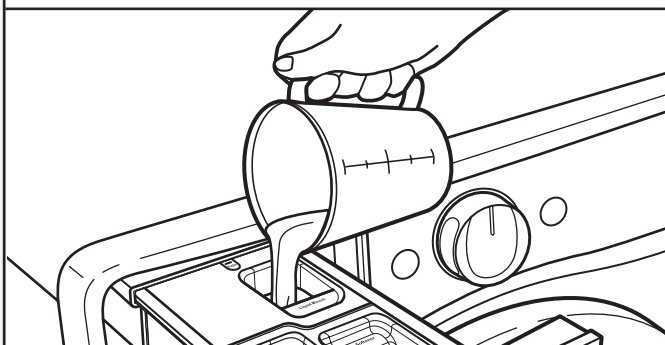
- Do not spill or drip any fabric softener onto the clothes.
- Do not use liquid fabric softener dispenser balls in this washer. They will not dispense correctly.

6. Add liquid chlorine bleach to dispenser (if desired)

Load & Go™ Dispenser Drawer



Dispenser Drawer



Add liquid chlorine bleach to the bleach compartment. Do not overfill, dilute, or use more than ⅓ cup (165 mL). Do not use color-safe bleach or Oxi in the same cycle with liquid chlorine bleach.

IMPORTANT:

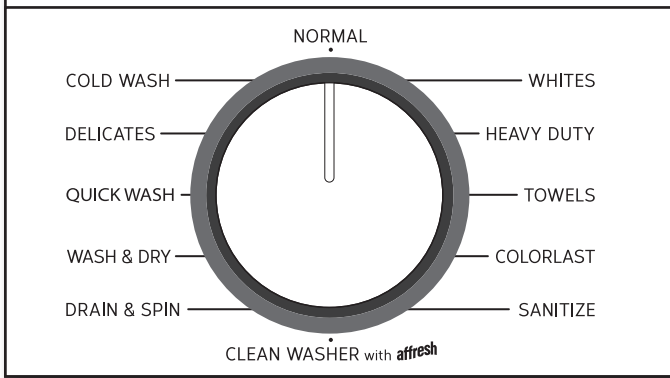
- Always measure liquid chlorine bleach. Use a measuring cup with a pour spout; do not guess.
- Do not fill beyond the Max level. Overfilling could cause garment damage.
- Do not use thickened, easy-pour, or no-splash bleach when running the Clean Washer with affresh® cycle as excess suds may occur.

7. Touch POWER to turn on washer



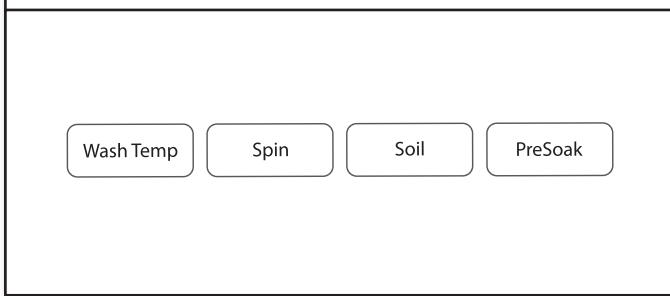
Slowly close the Load & Go™ Dispenser drawer. Make sure the drawer is closed completely, then touch POWER to turn on the washer or go to Step 8.

8. Select CYCLE*



Turn cycle knob to select your wash cycle. See “Cycle Guide” for details on cycle features.

9. Adjust settings, if desired*



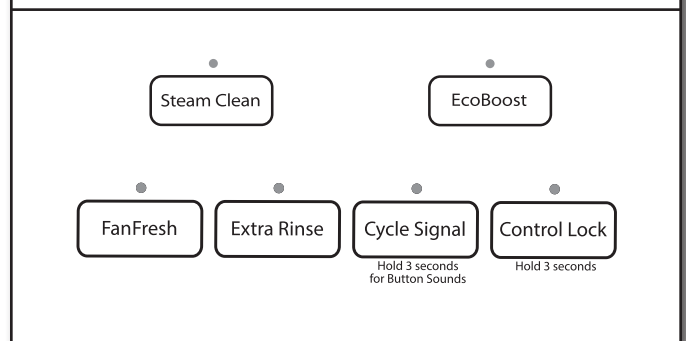
The display will show the default settings for the selected cycle. To adjust a setting, touch its name – Wash Temp, Spin, Soil, or PreSoak. Adjusting settings will change the Estimated Time Remaining. Tightly packing the load, unbalanced loads, or excessive suds may also cause the washer to increase the cycle time.

You can also adjust the detergent concentration and water hardness settings, if needed. Default settings are 2x detergent concentration and normal water hardness. If the detergent concentration is not listed on the package, see “About Detergent Concentration” to calculate the concentration.

To Adjust Dispenser Settings:

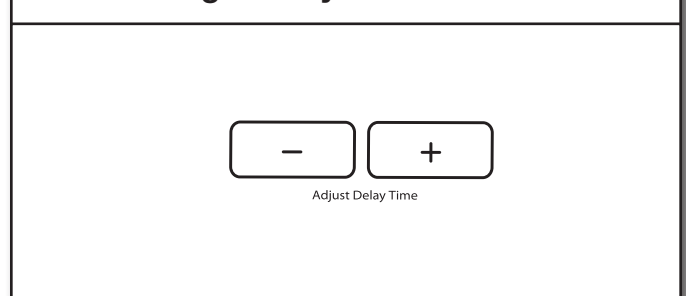
1. Touch DETERGENT CONCENTRATION until the desired concentration appears on the time display.
2. Touch WATER HARDNESS until the desired water hardness appears on the time display.

10. Select any additional options*



To add an option to the cycle, touch its name – Steam Clean, EcoBoost™, FanFresh®, Extra Rinse, Cycle Signal, or Control Lock. To remove an option from the selected cycle, touch the option again.

11. Setting a delayed wash



If you do not want to begin a cycle immediately, you may choose the Delay Wash option. This will delay the start of the wash cycle by up to 8 to 12 hours, depending on your model.

To set a Delayed Start:

1. Touch ADJUST DELAY TIME + or – to set the desired delay time.
2. Touch START to start the delay countdown. The countdown stops blinking.

*Not all options and settings are available with all cycles. See “Cycle Guide” for available options and settings.

12. Touch and hold START to begin wash cycle



Hold to Start

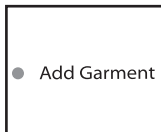
Touch and hold START for 3 seconds to start the wash cycle. To pause a cycle in progress, touch START once, then touch and hold again to continue the cycle. To cancel a cycle, touch POWER.

Once you touch and hold START, you will hear the door lock, unlock, and lock again. The washer door will remain locked during the wash cycle.

Unlocking the door to add garments:

If you need to open the door to add 1 or 2 missed garments, you may do so while the “Add Garment” light is lit. The time allowed to add a garment will vary based on cycle selection and load size.

Touch START once; the door will unlock once the washer movement has stopped. This may take several minutes. Then close door and touch and hold START again to restart the cycle.



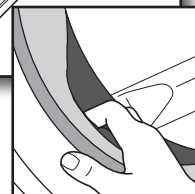
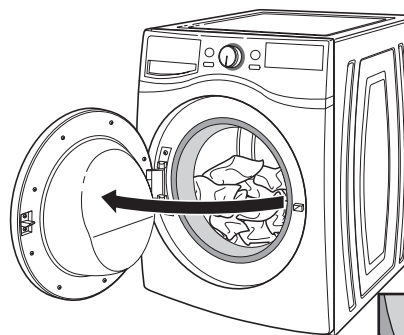
Hold to Start

Adding items after “Add Garment” light is off:

Cancel current cycle. Water will drain and you will need to reselect cycle and restart.

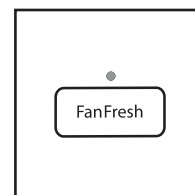
For wash performance and optimal energy savings, add garments only when the “Add Garment” light is on.

13. Remove garments promptly after cycle is finished



Promptly remove garments after cycle has completed to avoid odor and rusting of metal objects on garments. When unloading garments, pull back the door seal and check for small items between the tub and the washer drum.

If you will be unable to remove the load promptly, use the FanFresh® option. If the FanFresh® option is selected, the washer will automatically activate the fan and tumble the load periodically for up to 12 hours. To turn off the FanFresh® option, touch POWER. To set the washer so that the FanFresh® option does not come on for future cycles, touch FANFRESH.



NOTE:

- The door will remain locked while the FanFresh® option is active. To cancel the option and unlock the door, touch POWER.
- A small amount of water may remain in the dispensers after the wash cycle is complete. This is normal.
- This washer has a tight seal to avoid water leaks. To avoid odors, leave the door open to allow the washer to dry between uses.

Washer Maintenance

WATER INLET HOSES

Replace inlet hoses after 5 years of use to reduce the risk of hose failure. Periodically inspect and replace inlet hoses if bulges, kinks, cuts, wear, or leaks are found.

When replacing your inlet hoses:

- Mark the date of replacement on the label with a permanent marker.
- Check that the old washers are not stuck on the washer inlet valves.
- Use new washers in the new inlet hoses to ensure a proper seal.

WASHER CARE

Recommendations to Help Keep Your Washer Clean and Performing at Its Best

1. Always use High Efficiency (HE) detergents and follow the HE detergent manufacturer's instructions regarding the amount of HE detergent to use. Never use more than the recommended amount because that may increase the rate at which detergent and soil residue accumulate inside your washer which, in turn, may result in undesirable odor.
2. Use warm or hot water washes sometimes (not exclusively cold water washes) because they do a better job of controlling the rate at which soils and detergent accumulate.
3. Always leave the washer door slightly ajar between uses to help dry out the washer and avoid the buildup of odor-causing residue.
4. Periodically clean residue from all interior surfaces of the glass window. For better care, wipe the entire inside of the glass door with a damp cloth.

Cleaning Your Front Loading Washer

Read these instructions completely before beginning the routine cleaning processes recommended below. This Washer Maintenance Procedure should be performed, at a minimum, once per month or every 30 wash cycles, whichever occurs sooner, to control the rate at which soils and detergent may otherwise accumulate in your washer.

Cleaning the Door Seal

1. Open the washer door and remove any clothing or items from the washer.
2. Inspect the gray colored seal between the door opening and the drum for stained areas or soil buildup. Pull back the seal to inspect all areas under the seal and to check for foreign objects.

WASHER CARE (cont.)

3. If stained areas or soil buildup are found, wipe down these areas of the seal using either of the following two procedures:
 - a. **affresh® Machine Cleaning Wipes Procedure:**
 - i. When the cycle is complete, gently pull back the rubber door seal and clean the entire surface with the textured side of an affresh® Machine Cleaning Wipe.
 - b. **Dilute Liquid Chlorine Bleach Procedure:**
 - i. Mix a dilute bleach solution, using $\frac{3}{4}$ cup (177 mL) of liquid chlorine bleach and 1 gallon (3.8 L) of warm tap water.
 - ii. Wipe the seal area with the dilute solution, using a damp cloth.
 - iii. Let stand 5 minutes.
 - iv. Wipe down area thoroughly with a dry cloth and let washer interior air dry with door open.

IMPORTANT:

- Wear rubber gloves when cleaning with bleach.
- Refer to the bleach manufacturer's instructions for proper use.

Cleaning the Inside of the Washer

This washer has a special cycle that uses higher water volumes in combination with affresh® Washer Cleaner or regular liquid chlorine bleach to thoroughly clean the inside of the washer. Steam washer models also utilize steam to enhance cleaning in this special cycle.

IMPORTANT: Do not use thickened, easy-pour, or no-splash bleach when running the Clean Washer with affresh® cycle as excess suds may occur.

NOTE: Read these instructions completely before beginning the cleaning process.

Begin procedure

1. Clean Washer with affresh® Cycle Procedure (Recommended for Best Performance):

- a. Open the washer door and remove any clothing or items.
- b. Use an affresh® Machine Cleaning Wipe or a soft, damp cloth or sponge to clean the inside door glass.
- c. Add an affresh® Washer Cleaner tablet to the washer drum.
- d. Do not add the affresh® Washer Cleaner tablet to the dispenser drawer.
- e. Do not add any detergent or other chemical to the washer when following this procedure.
- f. Close the washer door.
- g. Select the Clean Washer with affresh® cycle.
- h. **On some models:** Select the FanFresh® option to help dry the washer interior after the cycle is complete.
NOTE: The washer remembers your last option selection and will use it for future wash cycles until you deselect that option. While the fan is on, the washer door will lock. To unlock the door, touch POWER.
- i. Touch and hold START to begin the cycle. The Clean Washer with affresh® Cycle Operation is described below.

WASHER CARE (cont.)

2. Chlorine Bleach Procedure:

- a. Open the washer door and remove any clothing or items.
- b. Open the dispenser drawer and add regular liquid chlorine bleach to the MAX level in both the bleach compartment and the fabric softener compartment. Either traditional or HE chlorine bleach can be used.

IMPORTANT: Do not use thickened, easy-pour, or no-splash bleach as excess suds may occur.

NOTE: Use of more liquid chlorine bleach than is recommended above could cause washer damage over time.

- c. Close the washer door and the dispenser drawer.
- d. Do not add any detergent or other chemicals to the washer when following this procedure.
- e. Close the washer door.
- f. Select the Clean Washer with affresh® cycle.
- g. **On some models:** Select the FanFresh® option to help dry the washer interior after the cycle is complete.
NOTE: The washer remembers your last option selection and will use it for future wash cycles until you deselect that option. While the fan is on, the washer door will lock. To unlock the door, touch POWER.
- h. Touch and hold START to begin the cycle. The Clean Washer with affresh® Cycle Operation is described below.

NOTE: For best results, do not interrupt cycle.

Description of Clean Washer with affresh® Cycle Operation:

1. The Clean Washer with affresh® cycle will determine whether clothing or other items are in the washer.
2. If no items are detected in the washer, it will proceed with the cycle.
 - a. If any items are detected in the washer, “rL” (remove load) will be displayed. The door will unlock. Open washer and remove any garments from the washer drum.
 - b. Touch POWER to clear the “rL” code.
 - c. Touch and hold START to restart the cycle.
3. **Steam models only:** During the first 20 minutes of the cycle, it will activate the steamer but the drum will not spin or fill with water. You may see condensation on the door glass during this initial phase. If you are using an affresh® Washer Cleaner tablet, it will not dissolve completely during the steam phase. This is normal.

After the cycle is complete, leave the door open slightly to allow for better ventilation and drying of the washer interior.

Cleaning the Dispensers

After a period of using your washer, you may find some residue buildup in the washer's dispensers. To remove residue from the dispensers, remove the drawer and wipe the surfaces with an affresh® Machine Cleaning Wipe or a damp cloth and towel dry either before or after you run the Clean Washer with affresh® cycle. Use an all-purpose surface cleaner, if needed.

IMPORTANT: Dispenser is not dishwasher safe.

Cleaning the Outside of the Washer

Use an affresh® Machine Cleaning Wipe or a soft, damp cloth or sponge to wipe up any spills. Occasionally wipe the outside of your washer to help keep it looking new. Use an affresh® Machine Cleaning Wipe or mild soap and water.

IMPORTANT: To avoid damaging the washer's finish, do not use abrasive products.

CLEAN WASHER CYCLE REMINDER

NOTE: Not all models have the Clean Washer with affresh® cycle reminder light.

The Clean Washer with affresh® LED will flash at the end of a wash cycle when the washer has run 30 wash cycles. This is a reminder to run the Clean Washer with affresh® cycle.



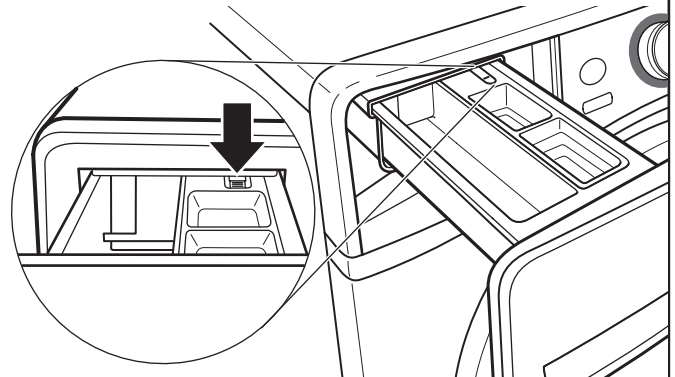
If the Clean Washer with affresh® cycle is not turned on, the LED will stop flashing at the end of a wash cycle after running 3 more regular wash cycles. After 30 more wash cycles are completed, the Clean Washer with affresh® LED will again flash at the end of a wash cycle as a reminder.

REMOVING THE DISPENSER

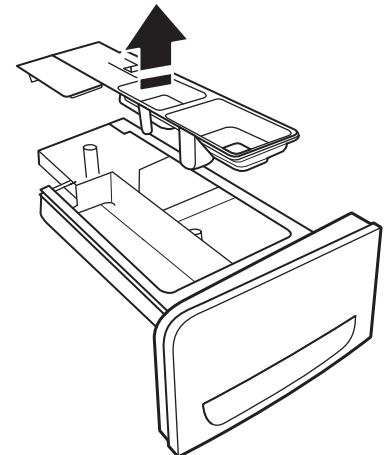
Load & Go™ Dispenser Drawer

To remove:

1. Pull dispenser drawer out until it stops.
2. Press down on the release tab and pull straight out to remove the dispenser.

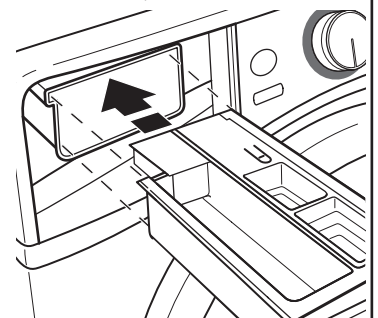


3. Lift off cover panel by pulling straight up.



To replace:

1. Slide cover panel back onto posts on dispenser.
2. Align edges of dispenser with guides in washer; then slide dispenser back into slot.



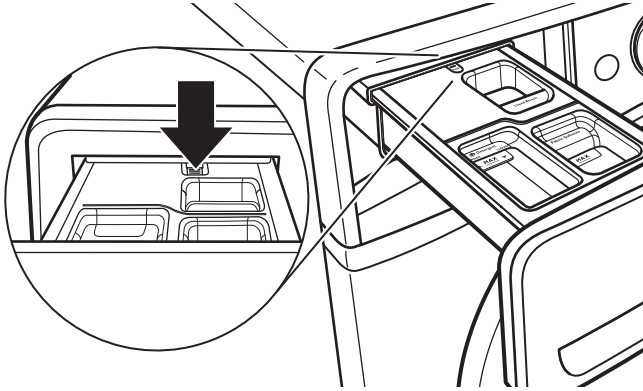
REMOVING THE DISPENSER (cont.)

Dispenser Drawer

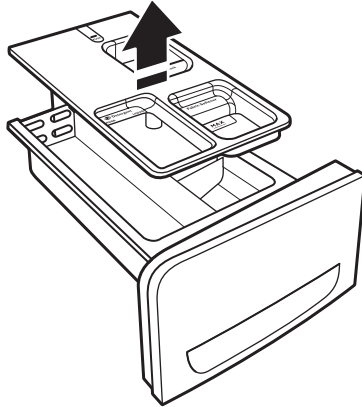
Removing the Dispenser

To remove:

1. Pull dispenser drawer out until it stops.
2. Press down on the release tab and pull straight out to remove the dispenser.

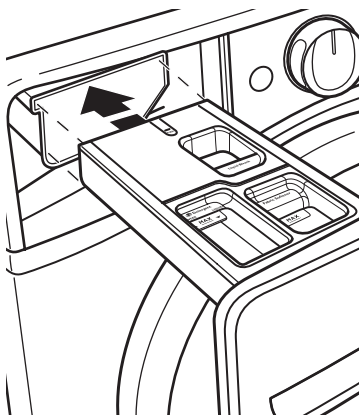


3. Lift off cover panel by pulling straight up.



To replace:

1. Slide cover panel back onto posts on dispenser.
2. Align edges of dispenser with guides in washer, then slide dispenser back into slot.

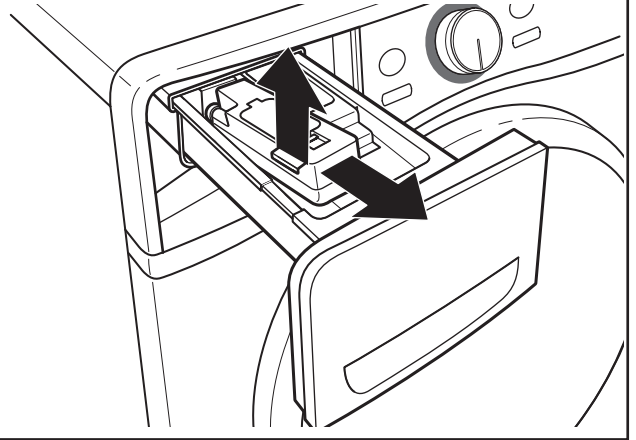


CLEANING LOAD & GO™ CARTRIDGE (on some models)

It is recommended that you rinse out the Load & Go™ cartridge when changing detergent types or concentrations, or when the washer will not be used for an extended period.

1. Pull dispenser out until it stops.
2. Lift out the Load & Go™ cartridge.
3. Lift cover on cartridge, wipe out interior with an affresh® Machine Cleaning Wipe or a damp cloth, and flush interior thoroughly with warm water.
4. Allow to air dry or wipe with a clean, soft towel.

IMPORTANT: Cartridge is not dishwasher safe.



NON-USE AND VACATION CARE

Operate your washer only when you are home. If moving or not using your washer for a period of time, follow these steps:

1. Unplug or disconnect power to washer.
2. Turn off water supply to washer to avoid flooding due to water pressure surges.

HELPFUL TIP: Attach a reminder note to the washer to turn the water back on before washer's next use.

3. Clean the dispensers. See "Cleaning the Dispensers."

WINTER STORAGE CARE

IMPORTANT: To avoid damage, install and store washer where it will not freeze. Because some water may stay in hoses, freezing can damage washer. If storing or moving during freezing weather, winterize your washer.

To winterize washer:

1. Shut off both water faucets, then disconnect and drain water inlet hoses.

HELPFUL TIP: Attach a reminder note to the washer to turn the water back on before washer's next use.

2. Put 1 qt. (1 L) of R.V.-type antifreeze in washer drum and run washer on Normal cycle for about 2 minutes to mix antifreeze and remaining water.
3. Unplug washer or disconnect power.

TRANSPORTING YOUR WASHER

1. Shut off both water faucets. Disconnect and drain water inlet hoses.
2. If washer will be moved during freezing weather, follow "Winter Storage Care" directions before moving.
3. Disconnect drain hose from drain system and from back of washer.
4. Unplug power cord.
5. Place inlet hoses and drain hose inside washer drum.
6. Bundle power cord with a rubber band or cable tie to keep it from hanging onto the ground.

IMPORTANT: Call for service to install new transport bolts. Do not reuse transport bolts. Washer must be transported in the upright position. To avoid structural damage to your washer, it must be properly set up for relocation by a certified technician.

REINSTALLING/USING WASHER AGAIN

To reinstall washer after non-use, vacation, winter storage, or moving:

1. Refer to Installation Instructions to locate, level, and connect washer.
2. Before using again, run washer through the following recommended procedure:

To use washer again:

1. Flush water pipes and hoses. Reconnect water inlet hoses. Turn on both water faucets.

⚠ WARNING



Electrical Shock Hazard

Plug into a grounded 3 prong outlet.

Do not remove ground prong.

Do not use an adapter.

Do not use an extension cord.

Failure to follow these instructions can result in death, fire, or electrical shock.

2. Plug in washer or reconnect power.
3. Run washer through Heavy Duty cycle to clean washer and remove antifreeze, if used. Use only HE detergent. Use half the manufacturer's recommended amount for a medium-size load.

Troubleshooting

First try the solutions suggested here or visit our website at www.whirlpool.com/product_help –
In Canada www.whirlpool.ca for assistance and to possibly avoid a service call.


If you experience	Possible Causes	Solution
Error Code Appears in Display (for 2 and 3 digit displays)		
Once any possible issues are corrected, touch POWER once to clear the code. Reselect and restart the cycle.		
"Sd" or "Sud" (excess suds) appears in display	Excessive suds in washer. Washer is running a suds reduction routine.	Allow the washer to continue. Use only HE detergent. Always follow the detergent manufacturer's instructions to determine the amount of detergent to use, and base detergent quantity on load size. Not all detergents labeled as High Efficiency are identical in formulation and their ability to reduce suds. For example, natural, organic, or homemade HE detergents may generate a high level of suds. If you use one of these and see a "SUD" error code appear in the display, consider using a different HE detergent. Touch WATER HARDNESS to change water hardness to "soft."
"dEt" (Detergent) appears in display (on some models)	The dispenser cartridge is not detected.	Ensure the dispenser cartridge is inserted correctly and the dispenser drawer is shut completely. For single-load doses of detergent when cartridge has been removed, ignore this message.
Lo followed by FL or F8 followed by E1 or Lo followed by FL or F08 followed by E01 (water supply error) appears in display	Check for proper water supply.	Unit will drain for 8 minutes while door remains locked. The drain cycle must be allowed to complete or the error code cannot reset. When complete, touch POWER once to clear the code. Then touch POWER again to restart washer. If code appears again, call for service. Both hoses must be attached and have water flowing to the inlet valve. Both hot and cold water faucets must be on. Inlet valve screens on washer may be clogged. Remove any kinks in the inlet hose. If used, auto shut-off connectors and hoses must be properly installed and in working order.
F9 followed by E1 or F09 followed by E01 (drain pump system error) appears in display	Check plumbing for correct drain hose installation. Drain hose extends into standpipe farther than 4½" (114 mm). Not using HE detergent or using too much HE detergent.	Check drain hose for proper installation. Make sure the drain hose is not kinked, pinched, or blocked. Remove any clogs from drain hose. Use drain hose form and securely attach to drainpipe or tub. Lower drain hose if the end is higher than 96" (2.4 m) above the floor. Use only manufacturer's recommended inlet hoses.
F5 followed by E2 or F05 followed by E02 (door will not lock) appears in display	Washer door not locking.	Touch POWER to cancel the cycle. Check that the door is closed completely and latching. Check for items in the washer drum that may be keeping the door from closing completely.
"rL" (remove load) appears in display	Load detected in drum during Clean Washer with affresh® cycle.	Remove items from washer drum and restart Clean Washer with affresh® cycle.

Troubleshooting

First try the solutions suggested here or visit our website at www.whirlpool.com/product_help –
In Canada www.whirlpool.ca for assistance and to possibly avoid a service call.

If you experience	Possible Causes	Solution
Error Code Appears in Display (for 2 and 3 digit displays) (cont.)		
All detergent level status lights are lit (on some models)	Detergent dispenser is not securely in place.	Pull out the dispenser, fill with detergent, and slide it back in place.

⚠ WARNING



Electrical Shock Hazard

Plug into a grounded 3 prong outlet.

Do not remove ground prong.

Do not use an adapter.

Do not use an extension cord.

Failure to follow these instructions can result in death, fire, or electrical shock.

All detergent level status lights are lit (on some models) (cont.)	Detergent Level sensor error.	Touch POWER to reset system. If all detergent status LEDs remain lit, unplug washer for 30 seconds; then plug back in. If problem remains, remove cartridge and use single-load dispensing until problem can be resolved.
F# E# or F## E## code other than as described above appears in display	System error code.	Touch POWER once to clear the code. Then touch POWER again to restart washer. If code appears again, call for service. Unplug washer for 30 seconds; then plug back in.
Washer making error beeps	Door has not been opened and closed for at least 3 cycles.	This code may occur when the washer is first turned on. Open and close the door to clear the display.
Washer beeps when START is touched	Door not closed.	Close the door completely.
Clean Washer LED flashing at end of wash cycle (on some models)	The washer has run 30 wash cycles and is indicating a reminder to run the Clean Washer with affresh® cycle.	Run the Clean Washer with affresh® cycle. If the Clean Washer with affresh® cycle is not turned on, the LED will stop flashing at the end of a wash cycle after running 3 more regular wash cycles. After 30 more wash cycles are completed, the Clean Washer with affresh® LED will again flash at the end of a wash cycle as a reminder.

Troubleshooting

First try the solutions suggested here or visit our website at www.whirlpool.com/product_help –
In Canada www.whirlpool.ca for assistance and to possibly avoid a service call.

If you experience	Possible Causes	Solution
Vibration or Off-Balance		
Vibration, rocking, or “walking”	Feet may not be in contact with the floor and locked.	Front and rear feet must be in firm contact with floor, and washer must be level to operate properly. Jam nuts must be tight against the bottom of the cabinet.
	Washer may not be level.	Check floor for flexing or sagging. If flooring is uneven, a ¾" (19 mm) piece of plywood under your washer will reduce sound. Do not install washer on a raised wooden platform. See “Level the Washer” in Installation Instructions.
	Load could be unbalanced or too large.	Avoid tightly packing the load. Avoid washing single items. Balance a single item such as a rug or jeans jacket with a few extra items. Item or load not suitable for selected cycle. See “Cycle Guide” and “Using Your Washer.”
	The shipping bolts are still in the back of the washer.	See “Remove transport bolts from washer” in the Installation Instructions.
Noises		
Clicking or metallic noises	Door locking or unlocking.	The door will lock unlock and lock again. You will hear 3 clicks after touching and holding START. This is normal.
	Objects caught in washer drain system.	Empty pockets before washing. Loose items such as coins could fall between washer drum and tub or may block pump. It may be necessary to call for service to remove items. It is normal to hear metal items on clothing such as metal snaps, buckles, or zippers touch against the stainless steel drum.
Gurgling or humming	Washer may be draining water.	The pump may make a humming sound with periodic gurgling or surging as final amounts of water are removed during the spin/drain cycles. This is normal at certain stages of the cycle.
Rolling or sloshing and occasional clicking (on slow-speed spin)	Steel balls in the balancing system are balancing the load.	This is normal at certain stages of the cycle.
Water Leaks		
Check the following for proper installation	Fill hoses not attached tightly.	Tighten fill-hose connection.
	Fill hose washers.	Properly seat all four fill-hose flat washers.
	Drain hose connection.	Check that the drain hose is properly secured to drainpipe or laundry tub.
	Check household plumbing for leaks or clogged sink or drain.	Water can back up out of a clogged sink or drainpipe. Check all household plumbing for leaks (laundry tubs, drain pipe, water pipes, and faucets.)
	Strainer (or nylon stocking) on end of drain hose is clogged.	Remove strainer/stocking from drain hose.

Troubleshooting

First try the solutions suggested here or visit our website at www.whirlpool.com/product_help –
In Canada www.whirlpool.ca for assistance and to possibly avoid a service call.

If you experience	Possible Causes	Solution
Water Leaks (cont.)		
Water or suds leaking from door or rear of cabinet	Not using HE detergent or using too much HE detergent.	Only use HE detergent. Suds from regular detergents can cause leaking from the door or rear of cabinet. Always measure detergent and follow manufacturer's directions based on your load requirements.
	Using thickened, easy-pour, or no-splash bleach when running the Clean Washer with affresh® cycle.	Use affresh® tablet or regular, non-thickened chlorine bleach when running the Clean Washer with affresh® cycle.
	Residue on door glass.	Periodically clean the underside of the glass window to avoid potential leaks.
	Door opened during "Add Garment."	Water can drip off the inside of the door when the door is opened after the start of a cycle.
Leaking around door	Hair, lint, or other debris on inner door glass preventing proper seal with rubber door seal.	Clean inner door glass and seal. See "Cleaning the Door Seal" in the "Washer Maintenance" section.
Washer not performing as expected		
Load not completely covered in water	Water level not visible on door or does not cover clothes.	This is normal for an HE front-load washer. The washer senses load sizes and adds the correct amount of water for optimal cleaning.
Washer won't run or fill; washer stops working	Check for proper water supply.	Both hoses must be attached and have water flowing to the inlet valve.
		Both hot and cold water faucets must be turned on.
		Check that inlet valve screens have not become clogged.
		Check for any kinks in inlet hoses, which can restrict water flow.

⚠ WARNING



Electrical Shock Hazard

Plug into a grounded 3 prong outlet.

Do not remove ground prong.

Do not use an adapter.

Do not use an extension cord.

Failure to follow these instructions can result in death, fire, or electrical shock.

Washer won't run or fill; washer stops working (cont.)	Check proper electrical supply.	Plug power cord into a grounded 3 prong outlet.
		Do not use an extension cord.
		Ensure there is power to outlet.
		Do not plug into a GFI (Ground Fault Circuit Interrupter).
		Check electrical source or call an electrician to check if voltage is low.
		Reset a tripped circuit breaker. Replace any blown fuses.
		NOTE: If problems continue, contact an electrician.

Troubleshooting

First try the solutions suggested here or visit our website at www.whirlpool.com/product_help –
In Canada www.whirlpool.ca for assistance and to possibly avoid a service call.

If you experience	Possible Causes	Solution
Washer not performing as expected (cont.)		
Washer won't run or fill; washer stops working (cont.)	Normal washer operation.	Door must be completely closed and latched for washer to run.
		Washer will pause during certain phases of cycle. Do not interrupt cycle.
		The washer pauses for about 2 minutes during certain cycles. Allow the cycle to continue. Some cycles feature periods of tumbling and soak.
		Washer may be stopped to reduce suds. Use only a proper amount of HE detergent.
		Cold Wash uses less water in the beginning of the cycle to provide a high concentration of detergent for optimal cleaning action. Following this concentrated tumbling, more water is used to complete the wash.
		During the first 20 minutes of the Clean Washer with affresh® cycle, it will activate the steamer but the drum will not spin or fill with water. You may see condensation on the door glass during this initial phase. If you are using an affresh® Washer Cleaner tablet, it will not dissolve completely during the steam phase. This is normal.
	The washer door is not firmly shut.	The door must be closed during operation.
	Washer not loaded as recommended.	Remove several items and rearrange load evenly in washer drum. Close door; then touch and hold START.
		Do not add more than 1 or 2 additional items after cycle has started to avoid tightly packing or unbalancing.
		Do not add more water to the washer.
Not using HE detergent or using too much HE detergent.	Only use HE detergent. Suds from regular detergents can slow or stop the washer. Always measure detergent, following manufacturer's directions based on your load requirements.	
	To remove suds, cancel cycle. Select DRAIN & SPIN with Extra Rinse. Touch START. Do not add more detergent.	
Door not opened between cycles.	After any wash cycle is completed, the door must be opened and then closed before a new cycle can begin.	
Washer not draining/spinning; loads are still wet	Drain hose extends into standpipe farther than 4.5" (114 mm).	Check drain hose for proper installation. Use drain hose form and securely attach to drainpipe or tub. Do not tape over drain opening.
	The drain hose is clogged, or the end of the drain hose more than 96" (2.4 m) above the floor.	Lower drain hose if the end is higher than 96" (2.4 m) above the floor. Remove any clogs from drain hose. See "Installation Requirements" in Installation Instructions.
	Strainer/stocking on end of drain hose.	Remove strainer/stocking from drain hose.
	The drain hose fits too tightly in the standpipe, or it is taped to the standpipe.	The drain hose should be loose yet fit securely. Do not seal the drain hose with tape. The hose needs an air gap. See "Secure the Drain Hose" in Installation Instructions.

Troubleshooting

First try the solutions suggested here or visit our website at www.whirlpool.com/product_help –
In Canada www.whirlpool.ca for assistance and to possibly avoid a service call.

If you experience	Possible Causes	Solution
Washer not performing as expected (cont.)		
Washer not draining/spinning; loads are still wet (cont)	Using cycles with a slower spin speed.	Cycles with slower spin speeds remove less water than cycles with fast spin speeds. Use the recommended cycle/speed spin for your garment.
	Washer not loaded as recommended.	A tightly packed or unbalanced load may not allow the washer to spin correctly, leaving the load wetter than normal. See “Cycle Guide” for load size recommendation for each cycle.
	The load may be out of balance.	Avoid washing single items. Balance a single item, such as a rug or jeans jacket with a few extra items.
	Not using HE detergent or using too much HE detergent.	Use only HE detergent. Suds from regular detergent or using too much detergent can slow or stop draining or spinning. Always measure and follow manufacturer’s directions for your load. To remove extra suds, select DRAIN & SPIN with EXTRA RINSE. Do not add detergent.
	Small items may have been caught in the pump or stuck between the washer drum and the outer tub.	Check the drum for any items sticking through the drum holes. Empty pockets and use garment bags when washing small items.
	There are too many clothes in the Wash & Dry cycle.	Only use the Wash & Dry cycle for 2–4 lightly soiled synthetic garments, athletic uniforms, or workout wear.
Door locked at end of wash cycle	Water remaining in washer after cycle.	Select DRAIN & SPIN to remove any water remaining in the washer. The washer door will unlock at the end of the drain.
	FanFresh® option is on.	While this option is on, the fan blows and the load is tumbled periodically for up to 12 hours. The door remains locked during this time. To unlock the door, cancel the FanFresh® option by touching POWER.
Door will not unlock	Door locks when cycle has started.	If the “Add Garment” light is lit, touch START once. The door will unlock.
Incorrect or wrong wash or rinse temperatures	Check for proper water supply.	Make sure hot and cold inlet hoses are not reversed.
		Both hoses must be attached to both washer and faucet, and have both hot and cold water flowing to inlet valve.
		Check that inlet valve screens are not clogged.
	Remove any kinks in hoses.	
Washing many loads.	Your hot water tank may not have enough hot water to keep up with the number of hot or warm washes. This is normal.	
Desired setting or option does not light	For best performance, not all settings are available with each cycle, and some options cannot be used together.	See the “Cycle Guide” for the available settings and options for each cycle.
Load not rinsed	Check for proper water supply.	Make sure hot and cold inlet hoses are not reversed.
		Both hoses must be attached and have water flowing to the inlet valve.
		Both hot and cold water faucets must be on.
		Inlet valve screens on washer may be clogged.
		Remove any kinks in the inlet hose.
	Not using HE detergent or using too much HE detergent.	The suds from non-HE detergent can cause the washer to operate incorrectly.
Use only HE detergent. Always measure detergent and follow manufacturer’s directions based on load size and soil level.		

Troubleshooting

First try the solutions suggested here or visit our website at www.whirlpool.com/product_help –
In Canada www.whirlpool.ca for assistance and to possibly avoid a service call.

If you experience	Possible Causes	Solution
Washer not performing as expected (cont.)		
Load not rinsed (cont.)	Washer not loaded as recommended.	<p>Avoid tightly packing the washer. The washer will not rinse well if tightly packed. Load with dry items only. See the “Cycle Guide” for load size recommendations for each cycle.</p> <p>Use cycle designed for the fabrics being washed.</p> <p>Add only 1 or 2 garments after washer has started.</p>
	The load may be out of balance.	When load unbalance occurs, a washing process will start to redistribute the load. This may lengthen the cycle time. Avoid washing single items. Balance a single item, such as a rug or jeans jacket with a few extra items.
Load is wrinkled, twisted, or tangled	Washer not loaded as recommended.	<p>Add load loosely. Items need to move freely to reduce wrinkling and tangling. See the “Cycle Guide” for load size recommendations for each cycle.</p> <p>Reduce tangling by mixing types of load items. Use the recommended cycle for the type of garments being washed.</p>
	Wash action too long for load.	Select a lower soil level. Note that items will not be cleaned as deeply as when using a higher soil level.
	Spin speed too fast for load.	Select a slower spin speed. Note that items will be wetter than when using a faster spin speed.
	The washer is not unloaded promptly.	Unload the washer as soon as it stops or use FanFresh® option if you will not be able to unload the washer at the end of the cycle.
	Not choosing the right cycle for the load being washed.	Use the Delicates cycle or another cycle with a slow spin speed to reduce wrinkling.
	The wash water was not warm enough to relax wrinkles.	If safe for load, use warm or hot wash water.
Not cleaning or removing stains	Washer not loaded as recommended.	<p>Add load loosely. Items need to move freely for best cleaning. See the “Cycle Guide” for load size recommendations for each cycle.</p> <p>Add only 1 or 2 garments after washer has started.</p>
	Not using HE detergent or using too much HE detergent.	Use only HE detergent. Always measure detergent and follow manufacturer’s directions based on load size and soil level.
	Hard water or high level of iron (rust) in water.	You may need to install a water softener and/or iron filter.
	Fabric softener dispensing ball used.	Dispensing balls will not operate correctly with this washer. Add liquid fabric softener to the fabric softener compartment.
	Powdered detergent used for slow-speed cycle.	Consider using liquid detergent.

Troubleshooting

First try the solutions suggested here or visit our website at www.whirlpool.com/product_help –
In Canada www.whirlpool.ca for assistance and to possibly avoid a service call.

If you experience	Possible Causes	Solution
Washer not performing as expected (cont.)		
Not cleaning or removing stains (cont.)	Not using correct cycle for fabric type.	Use a higher soil level setting and warmer wash temperature to improve cleaning.
		If using Quick Wash cycle, wash only a few items.
		Use Whites and Heavy Duty cycles for tough cleaning.
		Add an extra rinse for heavily soiled loads.
	Not using dispensers.	Use dispensers to avoid chlorine bleach and fabric softener staining.
		Load dispensers before starting a cycle.
		Avoid overfilling.
Do not add products other than those specified directly to load.		
Dispense cartridge is empty.	Fill dispense cartridge to the “MAX” line with HE liquid detergent.	
Not washing like colors together.	Wash like colors together and remove promptly after the cycle is complete to avoid dye transfer.	
Not enough detergent used, or hard water.	Use more detergent for washing heavy soils in cold or hard water.	
	Touch WATER HARDNESS to change water hardness to “hard.”	
Odors	Monthly maintenance not done as recommended.	Run the Clean Washer with affresh® cycle monthly or every 30 wash cycles. See “Washer Care” in “Washer Maintenance.”
		Unload washer as soon as cycle is complete. Use the FanFresh® option if load cannot be removed immediately after the wash is complete.
	Not using HE detergent or using too much HE detergent.	Use only HE detergent. Be sure to measure correctly. Always follow the manufacturer’s directions.
		See “Washer Care” section.
Door not left open after use.	This washer has a tight seal to avoid water leaks. To avoid odors, leave the door open to allow the washer to dry between uses.	
Fabric damage	Sharp items were in pockets during wash cycle.	Empty pockets, zip zippers, and snap or hook fasteners before washing to avoid snags and tears.
	Strings and straps could have tangled.	Tie all strings and straps before starting wash load.
	Items may have been damaged before washing.	Mend rips and broken threads in seams before washing.
	Fabric damage can occur if washer is tightly packed.	Avoid tightly packing the washer. Load with dry items only.
		Use cycle designed for the fabrics being washed.
		Add only 1 or 2 garments after washer has started.
	Fabric damage can occur if washer door is closed on an item, trapping it between the door glass and the rubber seal.	Do not overfill the washer.
Push wash load fully into the washer.		

Troubleshooting

First try the solutions suggested here or visit our website at www.whirlpool.com/product_help –
In Canada www.whirlpool.ca for assistance and to possibly avoid a service call.

If you experience	Possible Causes	Solution
Washer not performing as expected (cont.)		
Fabric damage (cont.)	Liquid chlorine bleach may have been added incorrectly.	Do not pour liquid chlorine bleach directly onto load. Wipe up bleach spills.
		Undiluted bleach will damage fabrics. Do not use more than recommended by manufacturer.
Gray whites, dingy colors	Load not sorted properly.	The transfer of dye can occur when mixing whites and colors in a load. Sort dark clothes from whites and lights.
	Wash temperatures too low.	Use hot or warm temperatures if safe for the load. Make sure your hot water system is adequate to provide a hot water wash.
	Not enough detergent used, or hard water.	Use more detergent for washing heavy soils in cold or hard water. Touch WATER HARDNESS to change water hardness to “hard.”
Incorrect dispenser operation	Clogged dispensers or laundry products dispensing too soon.	Do not overfill dispenser. Overfilling causes immediate dispensing.
		Load dispensers before starting a cycle.
		Homes with low water pressure may result in residual powder in the dispenser. To avoid, select a warmer wash temperature if possible, depending on your load.
	Liquid chlorine bleach not used in bleach compartment.	Use only liquid chlorine bleach in the bleach compartment.
Water in dispenser after cycle has finished.	It is normal for small amounts of water to remain in dispenser at the end of the cycle.	
Single-dose laundry packet not dissolving	Adding laundry packet incorrectly.	Be sure laundry packet is added to washer drum before adding clothes. Do not add packet to dispenser. Follow the manufacturer's instructions to avoid damage to your garments.
Cycle time changes or cycle time too long	Normal washer operation.	The cycle times vary automatically based on your water pressure, water temperature, detergent, and clothes load. The options you select will also affect the cycle times.
	Excessive suds in washer.	When excessive suds are detected, a special suds routine automatically starts to remove extra suds and ensure proper rinsing of your garments. This routine will add time to the original cycle.
	Load may be out of balance.	When load unbalance occurs, a washing process will start to redistribute the load. This extends the cycle time. Avoid washing single items. Balance a single item such as a rug or jeans jacket with a few extra items.
	Not using correct cycle for load type.	The Quick Wash cycle is designed for smaller load sizes (2–4 items) of lightly soiled garments. If larger loads are washed in this cycle, cycle time will be increased. When using the Quick Wash or Delicates cycle, you should wash small loads. This ensures a gentle wash for your garments without increasing cycle time.
The controls are not responding	Control Lock is On.	Touch and hold CONTROL LOCK for 3 seconds to turn off Control Lock. For each second CONTROL LOCK is held down, the display will count down one second: you will see “3,” then “2,” then “1.”
Liquid detergent on door glass prior to beginning of cycle	Detergent is free to flow from the single-dose dispenser.	Do not add liquid detergent until laundry is loaded.

WHIRLPOOL® LAUNDRY LIMITED WARRANTY

ATTACH YOUR RECEIPT HERE. PROOF OF PURCHASE IS REQUIRED TO OBTAIN WARRANTY SERVICE.

Please have the following information available when you call the Customer eXperience Center:

- Name, address, and telephone number
- Model number and serial number
- A clear, detailed description of the problem
- Proof of purchase including dealer or retailer name and address

IF YOU NEED SERVICE:

1. Before contacting us to arrange service, please determine whether your product requires repair. Some questions can be addressed without service. Please take a few minutes to review the Troubleshooting or Problem Solver section of the Use and Care Guide, scan the QR code on the right to access additional resources, or visit https://www.whirlpool.com/product_help.

2. All warranty service is provided exclusively by our authorized Whirlpool Service Providers. In the U.S. and Canada, direct all requests for warranty service to:

Whirlpool Customer eXperience Center

In the U.S.A. call 1-800-253-1301. In Canada call 1-800-807-6777.

If outside the 50 United States and Canada, contact your authorized Whirlpool dealer to determine if another warranty applies.



https://www.whirlpool.com/product_help

ONE YEAR LIMITED WARRANTY

WHAT IS COVERED

For one year from the date of purchase, when this major appliance is installed, operated, and maintained according to instructions attached to or furnished with the product, Whirlpool Corporation or Whirlpool Canada LP (hereafter "Whirlpool") will pay for Factory Specified Replacement Parts and repair labor to correct defects in materials or workmanship that existed when this major appliance was purchased, or at its sole discretion replace the product. In the event of product replacement, your appliance will be warranted by the remaining term of the original unit's warranty period.

YOUR SOLE AND EXCLUSIVE REMEDY UNDER THIS LIMITED WARRANTY SHALL BE PRODUCT REPAIR AS PROVIDED HEREIN. Service must be provided by a Whirlpool designated service company. This limited warranty is valid only in the United States or Canada and applies only when the major appliance is used in the country in which it was purchased. This limited warranty is effective from the date of original consumer purchase. Proof of original purchase date is required to obtain service under this limited warranty.

WHAT IS NOT COVERED

1. Commercial, non-residential, multiple-family use, or use inconsistent with published user, operator, or installation instructions.
2. In-home instruction on how to use your product.
3. Service to correct improper product maintenance or installation, installation not in accordance with electrical or plumbing codes, or correction of household electrical or plumbing (i.e. house wiring, fuses, or water inlet hoses).
4. Consumable parts (i.e. light bulbs, batteries, air or water filters, preservation solutions, etc.).
5. Defects or damage caused by the use of non-genuine Whirlpool parts or accessories.
6. Conversion of your product from natural gas or L.P. gas or reversal of appliance doors.
7. Damage from accident, misuse, abuse, fire, floods, acts of God, or use with products not approved by Whirlpool.
8. Repairs to parts or systems to correct product damage or defects caused by unauthorized service, alteration, or modification of the appliance.
9. Cosmetic damage including scratches, dents, chips, and other damage to appliance finishes unless such damage results from defects in materials and workmanship and is reported to Whirlpool within 30 days.
10. Discoloration, rust, or oxidation of surfaces resulting from caustic or corrosive environments, including but not limited to, high salt concentrations, high moisture or humidity, or exposure to chemicals.
11. Pick-up or delivery. This product is intended for in-home repair.
12. Travel or transportation expenses for service in remote locations where an authorized Whirlpool servicer is not available.
13. Removal or reinstallation of inaccessible appliances or built-in fixtures (i.e. trim, decorative panels, flooring, cabinetry, islands, countertops, drywall, etc.) that interfere with servicing, removal, or replacement of the product.
14. Service or parts for appliances with original model/serial numbers removed, altered, or not easily determined.

The cost of repair or replacement under these excluded circumstances shall be borne by the customer.

DISCLAIMER OF IMPLIED WARRANTIES

IMPLIED WARRANTIES, INCLUDING ANY IMPLIED WARRANTY OF MERCHANTABILITY OR IMPLIED WARRANTY OF FITNESS FOR A PARTICULAR PURPOSE, ARE LIMITED TO ONE YEAR OR THE SHORTEST PERIOD ALLOWED BY LAW. Some states and provinces do not allow limitations on the duration of implied warranties of merchantability or fitness, so this limitation may not apply to you. This warranty gives you specific legal rights, and you also may have other rights that vary from state to state or province to province.

DISCLAIMER OF REPRESENTATIONS OUTSIDE OF WARRANTY

Whirlpool makes no representations about the quality, durability, or need for service or repair of this major appliance other than the representations contained in this Warranty. If you want a longer or more comprehensive warranty than the limited warranty that comes with this major appliance, you should ask Whirlpool or your retailer about buying an extended warranty.

LIMITATION OF REMEDIES; EXCLUSION OF INCIDENTAL AND CONSEQUENTIAL DAMAGES

YOUR SOLE AND EXCLUSIVE REMEDY UNDER THIS LIMITED WARRANTY SHALL BE PRODUCT REPAIR AS PROVIDED HEREIN. WHIRLPOOL SHALL NOT BE LIABLE FOR INCIDENTAL OR CONSEQUENTIAL DAMAGES. Some states and provinces do not allow the exclusion or limitation of incidental or consequential damages, so these limitations and exclusions may not apply to you. This warranty gives you specific legal rights, and you also may have other rights that vary from state to state or province to province.

Sécurité de la laveuse

Votre sécurité et celle des autres est très importante.

Nous donnons de nombreux messages de sécurité importants dans ce manuel et sur votre appareil ménager. Assurez-vous de toujours lire tous les messages de sécurité et de vous y conformer.



Voici le symbole d'alerte de sécurité.

Ce symbole d'alerte de sécurité vous signale les dangers potentiels de décès et de blessures graves à vous et à d'autres.

Tous les messages de sécurité suivront le symbole d'alerte de sécurité et le mot "DANGER" ou "AVERTISSEMENT". Ces mots signifient :

! DANGER

Risque possible de décès ou de blessure grave si vous ne suivez pas immédiatement les instructions.

! AVERTISSEMENT

Risque possible de décès ou de blessure grave si vous ne suivez pas les instructions.

Tous les messages de sécurité vous diront quel est le danger potentiel et vous disent comment réduire le risque de blessure et ce qui peut se produire en cas de non-respect des instructions.

IMPORTANTES INSTRUCTIONS DE SÉCURITÉ

AVERTISSEMENT : Pour réduire les risques d'incendie, de choc électrique ou de blessures lors de l'utilisation de la laveuse, suivre les précautions fondamentales dont les suivantes :

- Lire toutes les instructions avant d'utiliser la laveuse.
- Ne pas laver des articles qui ont été nettoyés ou lavés avec de l'essence ou imbibés d'essence, solvants de nettoyage à sec, ou autres substances inflammables ou explosives; ces substances peuvent émettre des vapeurs susceptibles de s'enflammer ou d'exploser.
- Ne pas ajouter d'essence, solvant de nettoyage à sec ou autre produit inflammable ou explosif dans l'eau de lavage. Ces substances peuvent émettre des vapeurs susceptibles de s'enflammer ou d'exploser.
- Dans certaines conditions, de l'hydrogène gazeux peut se former dans un circuit d'eau chaude qui n'a pas été utilisé pendant 2 semaines ou plus. LE GAZ HYDROGÈNE EST EXPLOSIBLE. Si le circuit d'eau chaude n'a pas été utilisé pendant une telle période, avant d'utiliser la laveuse, ouvrir tous les robinets d'eau chaude et laisser l'eau s'écouler pendant plusieurs minutes par chaque robinet. Ceci permettra l'évacuation de l'hydrogène gazeux accumulé. Comme ce gaz est inflammable, ne pas fumer ou utiliser une flamme nue au cours de cette période.
- Ne pas laisser des enfants jouer sur ou à l'intérieur de la laveuse. Bien surveiller les enfants lorsque la laveuse est utilisée à proximité d'enfants.
- Avant de mettre la laveuse au rebut ou hors de service, enlever la porte ou le couvercle.
- Ne pas tenter d'atteindre un article à l'intérieur de la cuve de la laveuse lorsque le tambour, la cuve ou l'agitateur est en mouvement.
- Ne pas installer ou remiser cette laveuse à un endroit où elle serait exposée aux intempéries.
- Ne pas modifier les organes de commande.
- Ne pas réparer ou remplacer un composant quelconque de la laveuse, ni entreprendre une opération de service, si ce n'est spécifiquement recommandé dans ce manuel ou dans un manuel d'instructions de réparations destiné à l'utilisateur; il est alors essentiel que la personne concernée comprenne ces instructions et soit compétente pour les exécuter.
- Pour les instructions de liaison à la terre, voir "Spécifications électriques" dans les instructions d'installation.

CONSERVEZ CES INSTRUCTIONS

Avertissements de la proposition 65 de l'État de Californie :

AVERTISSEMENT : Ce produit contient au moins un produit chimique connu par l'État de Californie pour être à l'origine de cancers.

AVERTISSEMENT : Ce produit contient au moins un produit chimique connu par l'État de Californie pour être à l'origine de malformations et autres déficiences de naissance.

Accessoires

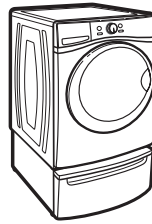
ACCESSOIRES D'INSTALLATION ET D'ENTRETIEN

PIÈCES AGRÉÉES PAR LE FABRICANT – Ces mots désignent des pièces de qualité et des accessoires conçus spécialement pour votre appareil. Une ingénierie qui a fait ses preuves, pour répondre à nos normes de qualité les plus strictes.

PIÈCES AGRÉÉES PAR LE FABRICANT

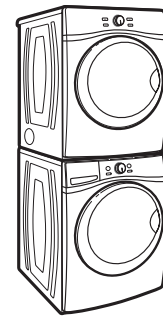
Accessoires conçus pour votre appareil :

Personnaliser votre nouvelle laveuse et sècheuse grâce aux authentiques accessoires Whirlpool suivants. Pour plus d'informations sur les options et sur les possibilités de commande, appeler **1-800-688-2002** ou consulter www.whirlpool.ca.



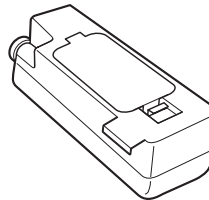
Piédestal de 15"

Les piédestaux aux coloris assortis surélèvent la laveuse et la sècheuse pour les amener à une hauteur d'utilisation plus confortable. Le grand tiroir offre une capacité de rangement pratique.



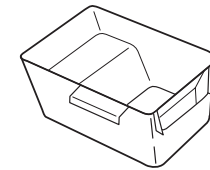
Ensemble de superposition

Si l'espace disponible est restreint, l'ensemble de superposition permet à la sècheuse d'être installée par dessus la laveuse.



Cartouche de détergent HE de distributeur de Load & Go™ (sur certains modèles)

Si vous alternez fréquemment l'utilisation de deux détergents liquides HE, vous pouvez vous procurer une cartouche supplémentaire.



Dosette unique à détergent HE liquide (sur certains modèles)

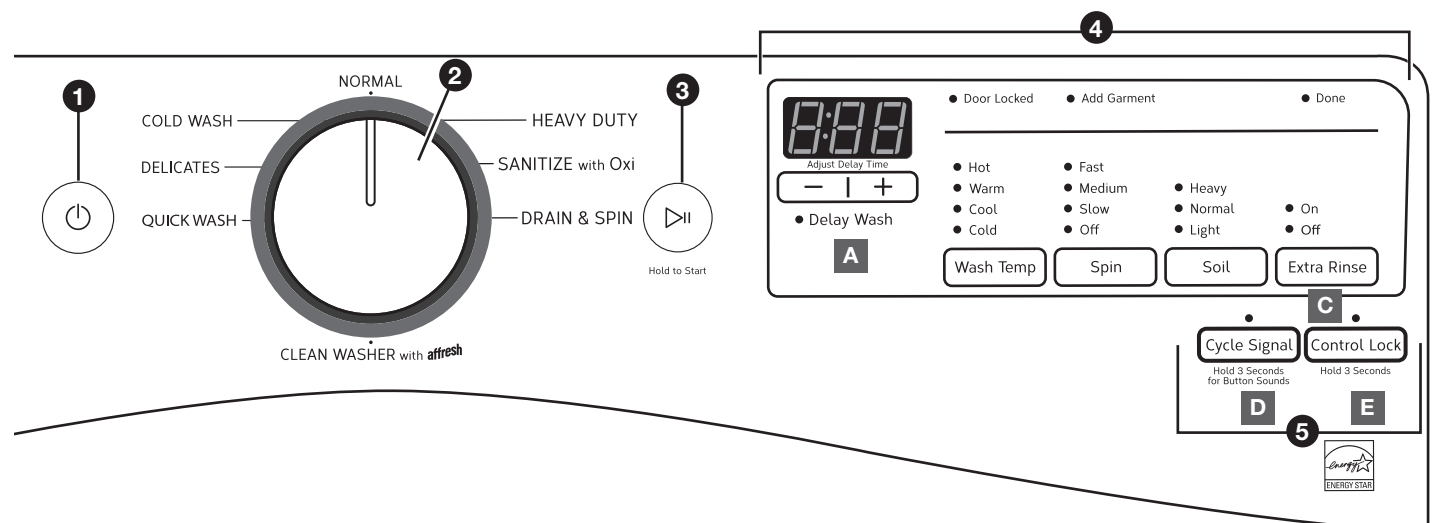
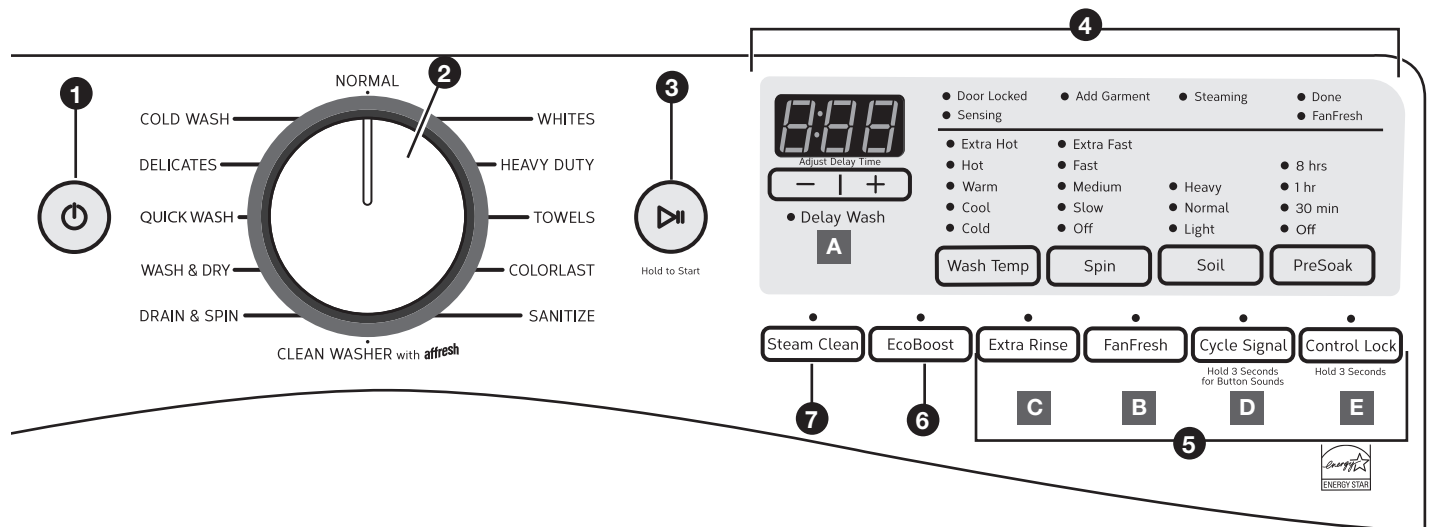
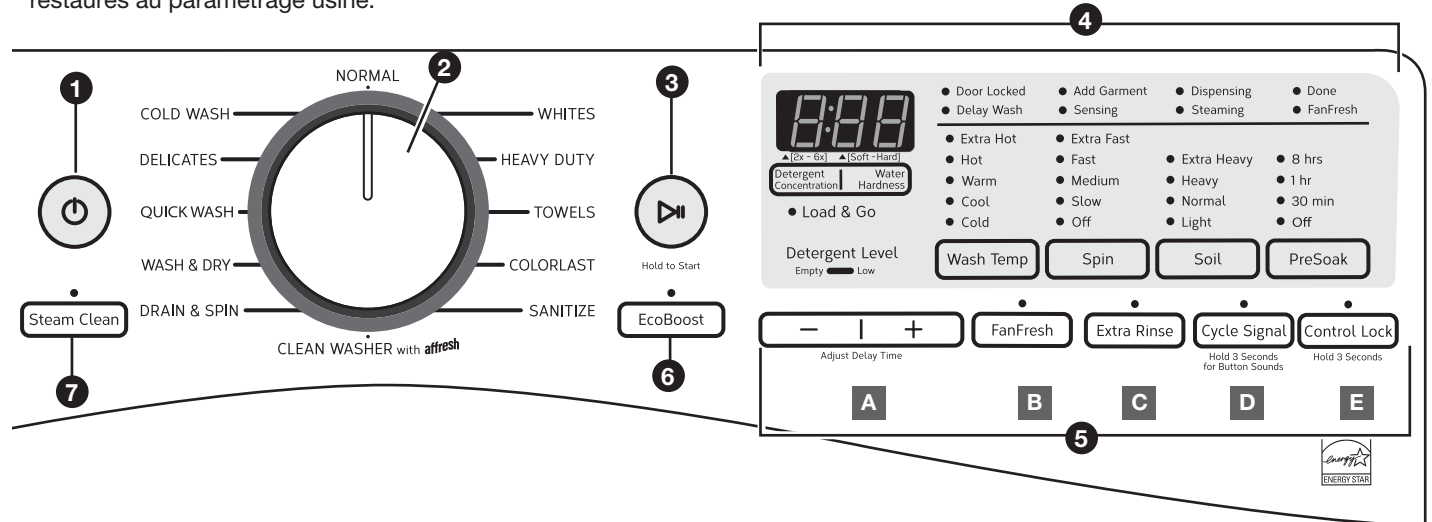
La dosette permet de verser une seule dose de détergent liquide.

Tableau de commande et caractéristiques

Certains programmes et certaines caractéristiques ne sont pas disponibles sur certains modèles.

REMARQUES :

- La surface du tableau de commande est très sensible et il suffit d'un léger toucher pour l'activer. Pour s'assurer que vos sélections ont été sauvegardées, toucher le tableau de commande du bout du doigt et non avec l'ongle. Pour sélectionner un réglage ou une option, il suffit de toucher le nom qui lui correspond.
- À la fin du programme, la laveuse garde en mémoire vos choix de réglages et d'options pour une utilisation ultérieure de ce programme. Cependant, si la laveuse est affectée par une coupure de courant, les réglages et les options seront restaurés au paramétrage usine.



1 MISE SOUS TENSION

Appuyer pour mettre la laveuse en marche et pour l'éteindre. Appuyer pour arrêter/annuler un programme à tout moment.

REMARQUE : Tourner le bouton de sélection programme de lavage permet également d'allumer la laveuse.

2 BOUTON DE PROGRAMME DE LAVAGE

Tourner le bouton de programme pour sélectionner un programme correspondant à la charge de linge. Le témoin DEL correspondant au programme sélectionné s'allume.

REMARQUE : Le témoin DEL Clean Washer with affresh® (nettoyage de la laveuse avec affresh®) clignote après que la laveuse a effectué 30 programmes de lavage pour rappeler à l'utilisateur qu'il doit lancer le programme Clean Washer with affresh®.

Voir "Guide de programmes" pour des descriptions de programmes détaillées.

REMARQUE : Pour de meilleurs résultats, utiliser le programme Wash & Dry (lavage et séchage) pour des charges de 2 livres maximum, comme une tenue de soccer ou un débardeur ou un short de sport. Laisser le programme fonctionner pendant sa durée complète, soit 12 heures.

3 START (mise en marche)

Appuyer sans relâcher pendant 3 secondes jusqu'à ce que le témoin au-dessus de START (mise en marche) s'allume, pour démarrer un programme ou appuyer une fois dessus pendant qu'un programme est en cours pour le suspendre. Pour ajouter un vêtement, on peut appuyer sur START (mise en marche) lorsque la DEL "Add Garment" (ajouter un vêtement) est allumée.

4 AFFICHAGE DEL ET RÉGLAGES

Lorsqu'on sélectionne un programme, ses réglages par défaut s'allument et la durée restante estimée s'affiche. Des facteurs tels que la taille de la charge, la température et la pression de l'eau peuvent affecter la durée indiquée sur l'afficheur. La laveuse peut également ajuster la durée du programme si les vêtements sont tassés à l'intérieur, si la charge est déséquilibrée ou si la laveuse produit trop de mousse.

Appuyer sur le réglage désiré situé le long du bas de l'affichage pour l'ajuster. Voir "Guide de programmes" pour découvrir les réglages disponibles sur chaque programme. Tous les réglages ne sont pas disponibles avec tous les programmes.

Témoins lumineux de programme

Pour plus de détails, voir la section "Témoins de programmes".

Load & Go™ (chargement facile) – Detergent Concentration and Water Hardness (concentration du détergent et dureté de l'eau) (sur certains modèles)

Appuyer sur DETERGENT CONCENTRATION (concentration du détergent) pour sélectionner la concentration du détergent de 2x à 6x. Appuyer sur WATER HARDNESS (dureté de l'eau) pour sélectionner le niveau de dureté de l'eau (normal, eau dure, ou eau douce). (Voir la section "À propos de la concentration du détergent".)

IMPORTANT : Lorsque l'on utilise la cartouche du distributeur avec un détergent liquide concentré, on doit s'assurer de changer les réglages de la concentration de détergent si le détergent utilisé diffère du détergent pré-réglé à l'usine de concentration 2x.

Wash Temp (température de lavage)

La température de lavage recommandée est pré-réglée pour chaque programme. On peut aussi sélectionner une température de lavage en fonction du type de tissu et de saleté à laver. Pour des résultats optimaux, suivre les instructions sur l'étiquette du vêtement et utiliser la température d'eau de lavage la plus chaude possible qui reste sans danger pour le tissu. Toutes les températures de lavage comprennent un rinçage à l'eau froide.

Spin (essorage)

Cette laveuse sélectionne automatiquement la vitesse d'essorage en fonction du programme sélectionné. Certaines vitesses pré-réglées peuvent être modifiées.

■ Des vitesses plus hautes d'essorage signifient des durées de séchage plus courtes mais elles peuvent augmenter le froissement de la charge.

■ Des vitesses plus basses d'essorage signifient moins de froissement, mais laissent la charge plus humide.

Soil (saleté)

Le réglage de saleté (durée de lavage) est pré-réglé pour chaque programme de lavage. Lorsqu'on modifie le réglage du niveau de saleté, la durée du programme augmente ou diminue sur l'affichage de la durée résiduelle estimée.

Pour la plupart des charges, utiliser le niveau de saleté pré-réglé pour le programme choisi. Pour les tissus très sales et robustes, utiliser le réglage Soil (saleté) pour prolonger la durée de lavage. Pour les tissus peu sales et délicats, utiliser le réglage Soil (saleté) pour raccourcir la durée de lavage. Des réglages de saleté inférieurs aideront à réduire l'emmêlement et le froissement.

Presoak (prétrempage)

Appuyer pour ajouter un prétrempage au programme de lavage. Les articles culbutent doucement dans l'eau et le détergent pendant la durée sélectionnée pour aider à éliminer les taches.

5 OPTIONS

Appuyer pour activer des options de lavage supplémentaires ou réglages supplémentaires avant d'appuyer sur START (mise en marche). Les options de lavage et réglages supplémentaires sélectionnés après avoir appuyé sur START (mise en marche) pourraient ne pas être actives.

Dès qu'une option de lavage ou un réglage supplémentaire est sélectionné, il est enregistré dans le programme sélectionné. Pour revenir aux réglages de programme pré-réglé à l'usine, débrancher la laveuse pendant 30 secondes, puis la rebrancher.

A Adjust Delay Time (ajustement de l'heure de lavage différé)

Appuyer – ou + pour retarder le démarrage du programme de lavage pendant un maximum de 8–12 heures.

B Option FanFresh® (sur certains modèles)

Ceci entraîne le culbutage périodique de la charge après la fin du programme pendant une durée maximale de 12 heures, alors que le ventilateur intégré fait circuler l'air dans la laveuse pour réduire le taux d'humidité. Pour démarrer l'option FanFresh®, appuyer sur FanFresh. Cependant, si l'option FanFresh® est activée, elle restera activée pour tous les programmes suivants jusqu'à ce qu'on la désactive à nouveau – la laveuse mémorise le dernier statut programmé (activé/désactivé). Pour désactiver l'option FanFresh®, appuyer sur FANFRESH.

On peut aussi activer l'option FanFresh® sans faire fonctionner de programme en appuyant sur MISE SOUS TENSION pendant 1 seconde, puis en appuyant sans relâcher sur FANFRESH pendant 3 secondes, puis en appuyant sans relâcher sur START (mise en marche) pendant 3 secondes.

Pour éteindre l'option FanFresh® pendant qu'elle est en cours, appuyer POWER (mise sous tension).

REMARQUE : La porte se verrouille pendant que l'option FanFresh® est active. Appuyer sur POWER (mise sous tension) pour arrêter le programme et déverrouiller la port.

- C Extra Rinse (rinçage supplémentaire)**
Activer cette option pour ajouter un rinçage supplémentaire à la plupart des programmes.

REMARQUE : Extra Rinse (rinçage supplémentaire) peut également être utilisé pour allumer la lampe du tambour (sur certains modèles). Pour allumer la lampe du tambour, appuyer sans relâcher sur EXTRA RINSE pendant 3 secondes.

- D Cycle signal (signal de programme)**
Utiliser cette option pour mettre en marche ou pour éteindre le signal qui retentit à la fin d'un programme.

Un chiffre est affiché chaque fois qu'on appuie sur la touche de programme correspondant au niveau sonore : 0 = fermé, 1 = faible, 2 = moyen, 3 = élevé.

REMARQUE : Le bruit de clavier ne change pas.

Désactivation des signaux sonores qui retentissent lorsqu'on appuie sur un réglage : Appuyer sans relâcher sur CYCLE SIGNAL (signal de programme) pendant environ 3 secondes. Répéter pour les réactiver.

- E Control Lock (verrouillage des commandes)**
Appuyer sans relâcher pendant 3 secondes pour verrouiller les commandes afin d'éviter tout changement ou toute manipulation involontaires. Appuyer sans relâcher de nouveau pendant 3 secondes pour déverrouiller.

Pour chaque seconde où CONTROL LOCK (verrouillage des commandes) est maintenu enfoncé, le compte à rebours de l'afficheur égrène une seconde : Les nombres "3", "2" puis "1" s'affichent successivement. On peut toujours appuyer sur START (mise en marche) pour suspendre un programme ou sur POWER (mise sous tension) pour éteindre la laveuse.

OPTION SUPPLÉMENTAIRE

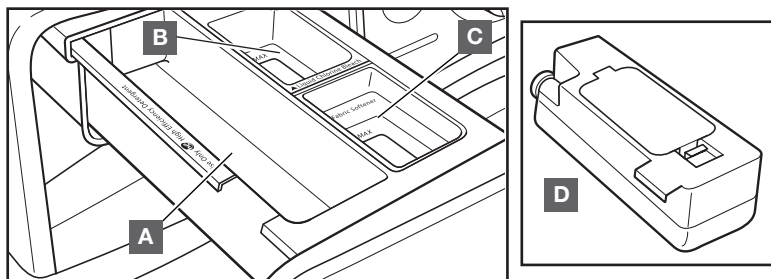
Drum Light (lampe du tambour) (sur certains modèles)
Appuyer sans relâcher sur EXTRA RINSE (rinçage supplémentaire) pendant 3 secondes pour allumer la lampe DEL du tambour.

- 6 OPTION ECOBOOST™ (puissance éco)**
Appuyer pour activer l'option EcoBoost™. EcoBoost™ (puissance éco) permet de réaliser des économies d'énergie supplémentaires grâce à une utilisation réduite de l'eau chaude et de maintenir une performance de nettoyage en allongeant la durée de lavage sur certains programmes.
- 7 OPTION STEAM CLEAN (nettoyage avec vapeur)**
L'option Steam Clean ajoute un trempage supplémentaire et prolonge le lavage sur de nombreux programmes pour aider à éliminer les taches. Sa puissance de nettoyage peut aussi être renforcée en l'associant à l'option steam boost (puissance vapeur). Un dispositif de chauffage intégré aide à maintenir des températures de lavages idéales. Voir le "Guide de programmes" pour découvrir les programmes qui permettent l'utilisation de l'option Steam Clean.

8 DISTRIBUTEURS

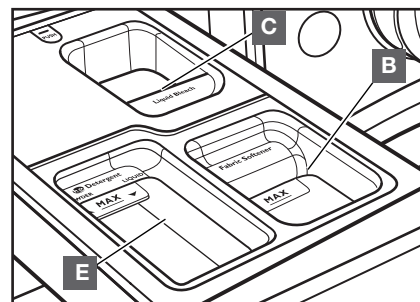
Tiroir distributeur Load & Go™ (sur certains modèles)

Le tiroir distributeur Load & Go™ offre la possibilité d'ajouter automatiquement du détergent HE, de l'eau de Javel et de l'assouplissant pour tissu à la charge de lavage, au moment approprié. Voir "Utilisation du distributeur Load & Go™" pour plus d'informations sur l'utilisation du tiroir du distributeur.



Tiroir de distributeur (sur certains modèles)

Le tiroir distributeur offre la possibilité d'ajouter du détergent HE, de l'eau de Javel et de l'assouplissant pour tissu à la charge de lavage, au moment approprié. Voir "Utilisation du tiroir distributeur" pour plus d'informations sur l'utilisation du tiroir du distributeur.



A Compartiment de détergent haute efficacité "HE" en poudre

Ce compartiment contient suffisamment de détergent HE en poudre pour laver une seule charge.

B Compartiment d'assouplissant pour tissu liquide

Dilue et distribue automatiquement l'assouplissant pour tissu liquide au moment opportun lors du programme.

- Utiliser uniquement de l'assouplissant pour tissu liquide dans ce distributeur.

C Compartiment pour agent de blanchiment au chlore liquide

Dilue et distribue automatiquement l'agent de blanchiment au chlore liquide au moment opportun lors du premier rinçage qui suit le programme de lavage. Ce compartiment ne peut diluer un agent de blanchiment en poudre.

D Cartouche de détergent haute efficacité "HE" liquide Load & Go™

Chaque cartouche du distributeur contient jusqu'à 18,5 oz (550 ml) de détergent HE liquide, ce qui suffit à laver jusqu'à 36[†] charges selon le programme et la concentration du détergent. La cartouche s'installe dans le compartiment (B) du tiroir du distributeur, assurant ainsi un chargement pratique.

- Modifier le réglage de la concentration de l'eau si l'on utilise un détergent différent du détergent pré-réglé à l'usine de concentration 2x. Voir "À propos de la concentration du détergent".
- Modifier le réglage de dureté de l'eau si le niveau désiré diffère du niveau pré-réglé à l'usine à Normal.

Detergent Concentration

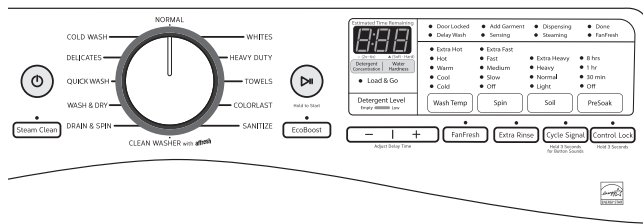
Water Hardness

E Compartiment de détergent haute efficacité "HE" liquide

Ce compartiment contient le détergent HE liquide ou en poudre qui seront utilisés lors du programme de lavage principal.

[†]Le nombre de charges variera, selon la concentration du détergent, la taille de la charge, le programme utilisé et le niveau de saleté. Pour une capacité maximum de 36 charges, on doit utiliser un détergent de concentration 6x.

TÉMOINS LUMINEUX DE PROGRAMME



Les témoins lumineux de programme indiquent la progression d'un programme. Pour chaque étape du processus, il est possible de remarquer des pauses ou des sons différents de ceux que l'on remarque avec des laveuses ordinaires.

Tiroir distributeur Load & Go™ (chargement facile)

Cette icône s'allume lorsque la laveuse est en marche avec le tiroir distributeur fermé et la cartouche en place. Si l'on retire la cartouche et que l'on ferme le tiroir, l'icône Load & Go ne s'allume pas.

Detergent Level (quantité disponible de détergent)

Low (insuffisant) – Ce témoin s'illumine (jaune) si la quantité de détergent présente dans la cartouche de distribution ne permet d'exécuter que quelques programmes.

Empty (vide) – Ce témoin s'illumine si la cartouche de distribution ne contient plus de détergent.

Door Locked (porte verrouillée)

Door Locked s'allume pour indiquer que la porte est verrouillée et ne peut être ouverte sans suspendre ou annuler d'abord le programme.

Add Garment (ajouter un vêtement)

Lorsque Add Garment (ajouter un vêtement) est allumé, on peut suspendre le programme de la laveuse, ouvrir la porte et ajouter des articles. Appuyer sans relâcher sur START (mise en marche) pour remettre la laveuse en marche.

Dispensing (distribution)

Cette icône s'allume lorsque le détergent est distribué dans la laveuse.

Done (terminé)

Une fois le programme terminé, ce témoin s'allume. Retirer la charge rapidement pour un résultat optimal.

Delay Wash (lavage différé)

Si l'on programme un lavage différé, le témoin de lavage différé s'allume.

Sensing (détection)

Lorsqu'on appuie sur le bouton START (mise en marche), la laveuse effectue un test automatique sur le mécanisme de verrouillage de la porte et le témoin de détection s'allume. Un déclic se fait entendre, le tambour effectue un tour partiel et la porte émet un déclic et se déverrouille brièvement. Ensuite, la porte émet un autre déclic et se verrouille de nouveau.

Une fois que la porte s'est verrouillée une seconde fois, la laveuse commence à culbuter et à ajouter de l'eau. Ce processus de détection se poursuit tout au long du programme. Il est aussi possible que l'on entende de l'eau couler dans le distributeur, ajoutant le détergent à la charge.

Une fois la charge de linge détectée par la laveuse, la durée de lavage estimée en fonction de la taille de la charge s'affiche. Il est possible que la durée réelle du programme soit prolongée, mais l'affichage continue d'afficher la durée estimée.

Le témoin de détection clignote une fois par seconde à plusieurs reprises au cours du programme, comme par exemple lorsque la laveuse réduit la quantité de mousse.

Steaming (vapeur)

Ce témoin s'allume pour indiquer que le programme utilise la vapeur pour renforcer le nettoyage.

Option FanFresh®

Le témoin FanFresh s'allume lorsque l'option FanFresh® est active. Pendant ce temps, la laveuse fait culbuter la charge de temps à autre pendant qu'un ventilateur fait circuler de l'air frais dans la laveuse.


Guide de programmes


Les réglages et options indiqués en **gras** sont les réglages par défaut pour ce programme. Pour un meilleur soin des tissus, choisir le programme, les options, et les réglages qui convient le mieux à la charge à laver. Tous les réglages ne sont pas disponibles sur tous les programmes et certaines options ne peuvent pas être combinées.

Certains programmes et certaines options ne sont pas disponibles sur certains modèles.


Recommandations concernant le volume de la charge






Pour des résultats optimaux, suivre les recommandations concernant la taille de la charge indiquées pour chaque programme.

 **Petite charge** : Remplir le tambour de la laveuse avec 3 ou 4 articles, pas plus du quart de sa capacité.

 **Grande charge** : Remplir le tambour de la laveuse environ aux trois quarts.

 **Charges de taille moyenne** : Remplir le tambour de la laveuse à environ la moitié de sa capacité.

 **Très grande charge** : Remplir le tambour de la laveuse tout en veillant à ce que les vêtements puissent culbuter librement. Pour des résultats optimaux, éviter de tasser les vêtements.

Articles à laver en utilisant les réglages de programmes par défaut :	Programme :	Température de lavage* :	Vitesse d'essorage*** :	Niveau de saleté :	Options disponibles :	Détails du programme :
Charges de linge de maison, draps et vêtements mixtes présentant un niveau de saleté normal	Normal	Extra Hot Hot Warm Cool Cold	Extra Fast Fast Medium Off	Extra Heavy Heavy Normal Light	Steam Clean** FanFresh® Extra Rinse PreSoak Delay Wash	 Ce programme combine un culbutage à vitesse moyenne et un essorage à très haute vitesse. Ce programme est conçu pour fournir la meilleure efficacité éconergétique.
Tissus et vêtements blancs très sales	Whites (blancs)	Extra Hot Hot Warm Cool Cold	Extra Fast Fast Medium Slow Off	Extra Heavy Heavy Normal Light	Steam Clean** EcoBoost™ FanFresh® Extra Rinse PreSoak Delay Wash	 Ce programme offre un lavage plus long avec un culbutage à vitesse rapide, un rinçage supplémentaire et un essorage à vitesse très élevée pour une performance de nettoyage et de rinçage optimale lorsqu'on utilise un agent de blanchiment.
Tissus robustes aux couleurs grand teint et vêtements très sales	Heavy Duty (service intense)	Extra Hot Hot Warm Cool Cold	Extra Fast Fast Medium Slow Off	Extra Heavy Heavy Normal Light	Steam Clean** EcoBoost™ FanFresh® Extra Rinse PreSoak Delay Wash	 Un culbutage à haute vitesse et un essorage final à très haute vitesse aident à fournir une performance de nettoyage optimale et à réduire le temps de séchage.
Serviettes et tissus de lavage robustes	Towels (serviettes)	Extra Hot Hot Warm Cool Cold	Extra Fast Fast Medium Slow Off	Extra Heavy Heavy Normal Light	Steam Clean* EcoBoost™ FanFresh® Extra Rinse PreSoak Delay Wash	 Ce programme offre un culbutage à vitesse rapide, un lavage plus long et un essorage à vitesse très élevée pour réduire la durée de séchage.
Vêtements en coton de couleurs vives ou foncées, lin, vêtements tout-aller et charges mixtes	Colorlast	Extra Hot Hot Warm Cool Cold	Extra Fast Fast Medium Slow Off	Extra Heavy Heavy Normal Light		 Ce programme combine un culbutage délicat et un trempage pour protéger les couleurs et offrir un nettoyage en douceur.

*Toutes les sélections de température de lavage comprennent un rinçage à l'eau froide.

(Suite à la page suivante)

**L'option Steam Clean est seulement disponible quand une température d'eau tiède, chaude ou très chaude supplémentaire est choisie.

***La vitesse d'essorage varie selon le modèle

Options de Température de lavage :

Extra Hot (très chaude)
Hot (chaude)
Warm (tiède)
Cool (frais)
Cold (froide)

Options de Vitesse d'essorage :

Extra Fast (très haute)
Fast (haute)
Medium (moyenne)
Slow (basse)
Off (arrêt)

Options de Niveau de saleté :

Extra Heavy (très élevé)
Heavy (élevé)
Normal (normal)
Light (léger)

Options disponibles :

Steam Clean (nettoyage avec vapeur)
EcoBoost™ (puissance éco)
FanFresh®
Extra Rinse (rinçage supplémentaire)
PreSoak (pré-trempage)
Delay Wash (lavage différé)







Articles à laver en utilisant les réglages de programmes par défaut :	Programme:	Température de lavage* :	Vitesse d'essorage*** :	Niveau de saleté :	Options disponibles :	Détails du programme :
Vêtements, articles de literie et serviettes nécessitant un assainissement	Sanitize (assainissement)	Extra Hot	Extra Fast Fast Medium Slow Off	Extra Heavy Heavy Normal Light	Steam Clean** FanFresh® Extra Rinse Delay Wash	● Cette option élimine 99,99 % des bactéries que l'on trouve généralement sur les vêtements, articles de literie et serviettes. Ce programme utilise la température de lavage très élevée pour garantir l'assainissement de la charge. Contrôler la température de lavage recommandée pour les articles à laver. Les tests portaient sur les bactéries K. pneumoniae, P. aeruginosa et S. aureus.
	Eco Sanitize with Oxi (Assainissement éco avec Oxi)	Hot	Fast Medium Slow Off	Heavy Normal Light	FanFresh® Extra Rinse Delay Wash	● Ce programme élimine 99,99 % des bactéries que l'on trouve généralement sur les vêtements, articles de literie et serviettes. Utiliser la température d'eau de lavage la plus élevée possible et ajouter un produit Oxi en poudre dans le tambour pour assurer l'assainissement. Vérifier les recommandations de température d'eau de lavage de vos articles et utiliser la quantité d'Oxi recommandé par le fabricant. Les tests portaient sur les bactéries K. pneumoniae, P. aeruginosa et S. aureus.
Pas de vêtements dans la laveuse	Clean Washer with affresh® (nettoyage de la laveuse avec affresh®)					Utiliser ce programme à l'issue de chaque série de 30 lavages pour que l'intérieur de la laveuse reste frais et propre. Ce programme utilise un niveau d'eau plus élevé. Utiliser une tablette de nettoyant pour laveuse affresh® ou de l'eau de Javel ordinaire pour nettoyer soigneusement l'intérieur de la laveuse. Ce programme ne doit pas être interrompu. Voir "Entretien de la laveuse". IMPORTANT : Ne pas placer de vêtements ou autres articles dans la laveuse pendant que le programme Clean Washer with affresh® (nettoyage de la laveuse avec affresh®) fonctionne. Utiliser ce programme avec une cuve de lavage vide. Ne pas utiliser de l'eau de Javel épaisse, facile à verser ou anti-éclaboussure lorsque le programme de nettoyage de la laveuse avec affresh® est en cours car cela peut entraîner une surproduction de mousse. Voir "Entretien de la laveuse" dans la section "Entretien de la laveuse".

*Toutes les sélections de température de lavage comprennent un rinçage à l'eau froide.

(Suite à la page suivante)

**L'option Steam Clean est seulement disponible quand une température d'eau tiède, chaude ou très chaude supplémentaire est choisie.

***La vitesse d'essorage varie selon le modèle

Articles à laver en utilisant les réglages de programmes par défaut :	Programme :	Température de lavage* :	Vitesse d'essorage*** :	Niveau de saleté :	Options disponibles :	Détails du programme :
Charge de vêtements mouillée	Drain & Spin (vidange et essorage)	N.D.	Extra Fast Fast Medium Slow Off	N.D.	FanFresh® Delay Wash	 Utiliser la fonction Drain & Spin (vidange et essorage) pour retirer l'excédent d'eau de la charge. La vitesse d'essorage peut être réglée à un réglage inférieur.
Maillots de bain et articles nécessitant uniquement un rinçage	Drain & Spin with Extra Rinse (vidange et essorage avec rinçage supplémentaire)	Extra Hot Hot Warm Cool Cold	Extra Fast Fast Medium Slow Off	Extra Heavy Heavy Normal Light	FanFresh® Delay Wash	 Choisir Drain & Spin, puis choisir un rinçage supplémentaire pour ajouter de l'eau. Ce programme inclut une très haute vitesse d'essorage. Pour certains tissus, il peut être judicieux de régler la vitesse d'essorage à un réglage faible.
2 à 4 vêtements synthétiques ou tenues de sport légèrement sales	Wash & Dry (lavage et séchage)	Extra Hot Hot Warm Cool Cold	Extra Fast	Extra Heavy Heavy Normal Light	Steam Clean* FanFresh® Extra Rinse PreSoak Delay Wash	 Ce programme de lavage court offre un essorage à vitesse très élevée suivi d'un culbutage intermittent et de l'activation d'un ventilateur pour faire circuler de l'air dans les vêtements.
Petites charges de 2 à 4 vêtements légèrement sales	Quick Wash (lavage rapide)	Extra Hot Hot Warm Cool Cold	Extra Fast Fast Medium Slow Off	Extra Heavy Heavy Normal Light	Steam Clean** FanFresh® Extra Rinse PreSoak Delay Wash	 Pour les petites charges (de 2 à 4 articles) dont on a besoin rapidement. Ce programme combine un culbutage à haute vitesse, un lavage plus court et une très haute vitesse d'essorage pour réduire le temps de séchage.
Tissus transparents, lingerie, tricot et chemises, chemisiers, pantalons et robes légèrement sales	Delicates (articles délicats)	Extra Hot Hot Warm Cool Cold	Extra Fast Fast Medium Slow Off	Extra Heavy Heavy Normal Light	Steam Clean** FanFresh® Extra Rinse PreSoak Delay Wash	 Ce programme combine un culbutage et un essorage à basse vitesse pour assurer un soin délicat des tissus et réduire le froissement.
Vêtements en coton de couleurs vives ou foncées, lin, vêtements tout-aller et charges mixtes	Cold Wash (lavage froid)	Cold	Extra Fast Fast Medium Off	Extra Heavy Heavy Normal Light	FanFresh® Extra Rinse Delay Wash	 Ce programme utilise une solution de détergent concentré avec de l'eau froide tout au long du programme pour extraire les taches en douceur et pour prendre soin des tissus.

(Suite à la page suivante)

*Toutes les sélections de température de lavage comprennent un rinçage à l'eau froide.

**L'option Steam Clean est seulement disponible quand une température d'eau tiède, chaude ou très chaude supplémentaire est choisie.

***La vitesse d'essorage varie selon le modèle

Choix du détergent approprié

Utiliser uniquement des détergents haute efficacité. L'emballage portera la mention "HE" ou "High Efficiency" (haute efficacité). Un lavage avec faible consommation d'eau produit un excès de mousse avec un détergent non HE ordinaire. Il est probable que l'utilisation d'un détergent ordinaire prolongera la durée des programmes et réduira la performance de rinçage. Ceci peut aussi entraîner des malfunctions de composants et, avec le temps, une accumulation de moisissure. Les détergents HE devraient produire peu de mousse et se dissoudre rapidement pour produire une quantité de mousse idéale pour une performance optimale. Ils devraient retenir les particules de saleté en suspension afin qu'elles ne se redéposent pas sur les vêtements propres. Les détergents identifiés HE ne comportent pas tous une formule identique et ne produisent pas tous la même quantité de mousse. Par exemple, les détergents HE naturels, organiques et faits maison peuvent produire une plus grande quantité de mousse. Si l'un de ces produits est utilisé et que le code d'erreur "SUD" s'affiche à l'écran, l'utilisation d'un autre détergent HE est conseillée. Toujours suivre les recommandations du fabricant de détergent pour déterminer la quantité de détergent à utiliser.



Utiliser uniquement un détergent haute efficacité (HE).

À propos de la concentration du détergent

Les détergents HE liquides disponibles de nos jours sont concentrés. La plupart des marques de détergents HE concentrés indiquent le niveau de concentration sur l'emballage. Si c'est le cas, régler simplement le niveau de concentration dans le menu Load & Go™ afin que ce niveau corresponde à celui indiqué sur le flacon.

Cependant, si le niveau de concentration n'est pas indiqué sur le flacon, on peut facilement le calculer. Il suffit de diviser la taille de l'emballage en onces liquide par le nombre de charges. Se référer ensuite au tableau suivant pour déterminer la concentration.

Si l'on n'obtient pas les résultats de nettoyage désirés, essayer un chiffre de concentration plus bas. En cas de moussage excessif, essayer un chiffre de concentration plus élevé.

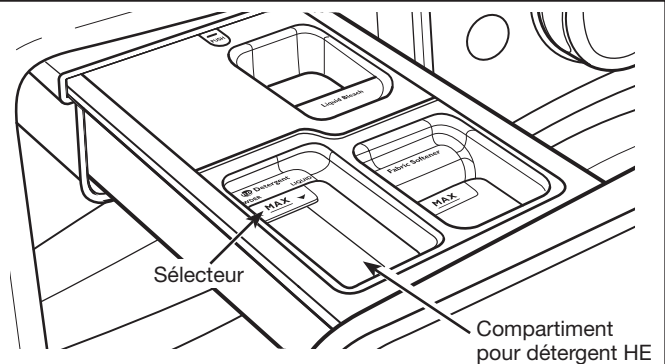
Concentration	Nombre d'onces ÷ nombre de charges
2X	1,5-2,49
3X	0,9-1,49
4X	0,7-0,89
5X	0,5-0,69
6X	0,3-0,49

Utilisation du tiroir du distributeur (sur certains modèles)

1. Ouvrir le tiroir du distributeur.
2. Ajouter les produits de lessive tel que décrit dans les étapes 4 à 6 à la section "Utilisation de la laveuse".
3. Fermer lentement le tiroir du distributeur. Vérifier qu'il est complètement fermé.

REMARQUE : Il est possible qu'une petite quantité d'eau provenant du programme de lavage précédent reste dans les distributeurs. Ceci est normal.

Ajouter du détergent HE au distributeur

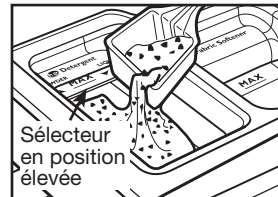


Verser une mesure de détergent HE dans le compartiment à détergent. Pour du détergent en poudre, soulever le sélecteur en position élevée. Pour du détergent liquide, appuyer sur le sélecteur pour le placer en position basse.

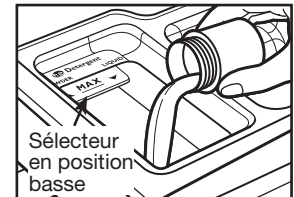


Utiliser uniquement un détergent haute efficacité (HE).

Ne pas faire remplir excessivement le distributeur – le fait d'ajouter trop de détergent peut entraîner sa distribution prématurée dans la laveuse.



Détergent en poudre :
Soulever le sélecteur en position élevée.



Détergent liquide :
Appuyer sur le sélecteur pour le placer en position basse.

IMPORTANT :

- Ne pas ajouter de sachet de lessive à dose unique dans le tiroir distributeur.
- Utiliser un détergent en poudre lorsque l'on utilise l'option Delay Wash (lavage différé). Il est possible que le détergent liquide s'écoule avant le début du lavage.

Utilisation du tiroir distributeur Load & Go™ (sur certains modèles)

1. Ouvrir le tiroir distributeur.
2. Ajouter les produits de lessive tel que décrit dans les étapes 4 à 6 dans la section "Utilisation de la laveuse".
3. Fermer lentement le tiroir du distributeur. Vérifier qu'il est complètement fermé.

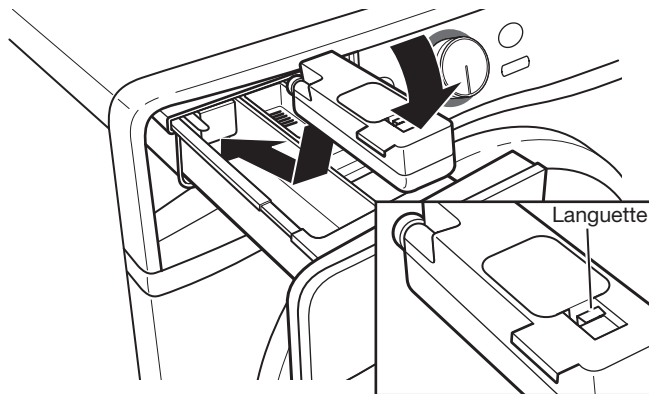
REMARQUES :

- Il est possible qu'une petite quantité d'eau provenant du programme de lavage précédent reste dans les distributeurs. Ceci est normal.

- Pour l'information sur la concentration du détergent, voir "À propos de la concentration du détergent".
- L'afficheur indique la quantité de détergent présente dans le distributeur (Low [insuffisant] ou Empty [vide]), ce qui permet de déterminer s'il convient de le remplir.
- Ajouter une dose unique et un activateur de lessive de type Oxi, voir la section "Utilisation de la laveuse".

Ajouter du détergent HE au distributeur

Cartouche Load & Go™



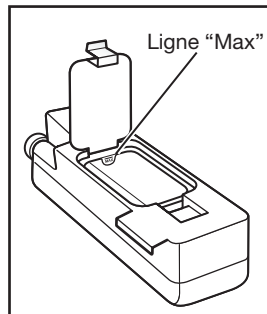
Utiliser uniquement des détergents haute efficacité HE liquides. La cartouche du distributeur peut contenir jusqu'à 18,5 oz (550 ml) de détergent HE liquide, ce qui suffit à laver jusqu'à 36 charges[†].



Utiliser uniquement un détergent haute efficacité (HE).

Remplissage :

Tirer sur la languette et soulever le clapet de remplissage. Remplir jusqu'à la ligne "MAX" (voir l'illustration à droite) avec du détergent liquide HE. Fermer le clapet de remplissage. Il s'emboîte.



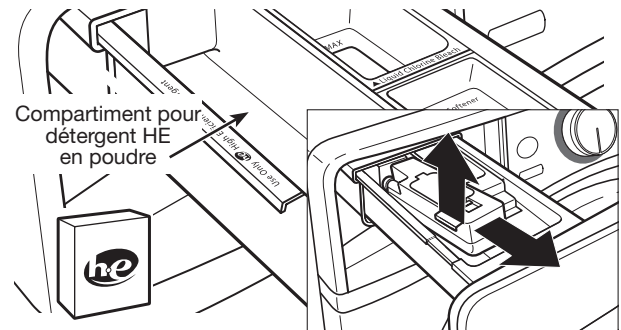
Installation de la cartouche de distribution :

1. Tirer le tiroir distributeur.
2. Insérer complètement la cartouche du distributeur dans le compartiment à détergent tel qu'illustré. Elle doit s'emboîter.
3. Faire glisser doucement le tiroir du distributeur jusqu'à sa fermeture complète. La laveuse détectera automatiquement la cartouche du distributeur.

REMARQUE :

- On doit rincer la cartouche de détergent si l'on change de détergent ou si l'on n'utilise pas la laveuse pendant une période prolongée. Pour les instructions concernant le nettoyage de la cartouche du distributeur, voir "Entretien de la laveuse".

Ajout de détergent pour une charge unique



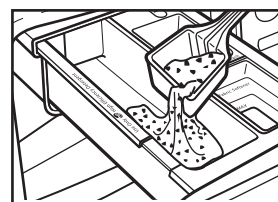
Compartiment pour détergent HE en poudre

Utiliser uniquement un détergent haute efficacité (HE).

Soulever la cartouche pour la sortir et la mettre de côté.

Détergent en poudre HE

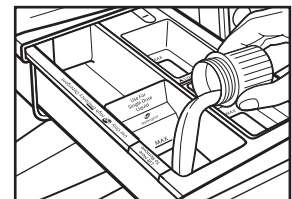
Placer une mesure de détergent dans le compartiment pour détergent en poudre HE.



Détergent en poudre :
Ajouter directement dans le compartiment.

Détergent liquide HE

On peut verser une dose unique de détergent liquide dans la dosette unique à détergent HE liquide à acheter (voir la section "Accessoires").



Détergent liquide :
Ajouter à la dosette à détergent.

IMPORTANT :

- Ne pas utiliser de détergents liquides dans le compartiment pour charge unique; les détergents liquides peuvent suinter hors du compartiment avant le début du lavage principal.
- Ne pas ajouter de sachet de lessive à dose unique dans le tiroir distributeur.
- Si l'on utilise l'option Delay Wash (mise en marche différé), l'utilisation de la cartouche du distributeur est recommandée; on peut également utiliser un détergent en poudre dans le compartiment pour détergent en poudre HE.

Utilisation de deux détergents liquide HE

Si vous alternez fréquemment l'utilisation de deux détergents liquides HE, vous pouvez vous procurer une cartouche Load & Go™ supplémentaire.

Voir "Accessoires" pour des renseignements sur la commande.

[†] Le nombre de charges variera, selon la concentration du détergent, la taille de la charge, le programme utilisé, le niveau de saleté et dureté de l'eau. Pour une capacité maximum de 36 charges, on doit utiliser un détergent de concentration 6x.

Utilisation de la laveuse

⚠️ AVERTISSEMENT



Risque d'incendie

Ne jamais mettre des articles humectés d'essence ou d'autres fluides inflammables dans la laveuse.

Aucune laveuse ne peut complètement enlever l'huile.

Ne pas faire sécher des articles qui ont été salis par tout genre d'huile (y compris les huiles de cuisson).

Le non-respect de ces instructions peut causer un décès, une explosion ou un incendie.

⚠️ AVERTISSEMENT



Risque de choc électrique

Brancher sur une prise à 3 alvéoles reliée à la terre.

Ne pas enlever la broche de liaison à la terre.

Ne pas utiliser un adaptateur.

Ne pas utiliser un câble de rallonge.

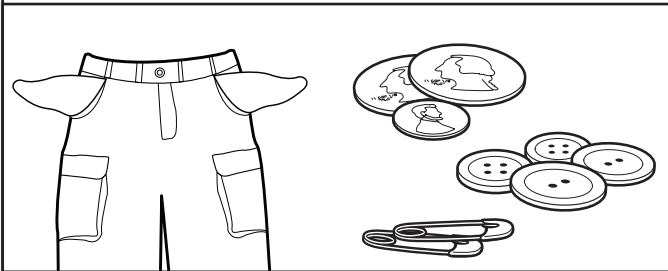
Le non-respect de ces instructions peut causer un décès, un incendie ou un choc électrique.

Premier programme de lavage sans vêtements

Avant de laver des vêtements pour la première fois, ajouter du détergent HE liquide ou en poudre dans le distributeur de détergent. Choisir le programme QUICK WASH (lavage rapide) et l'exécuter sans linge. Utiliser uniquement un détergent HE. Ce programme préalable sert à garantir que l'intérieur est propre et que le tiroir distributeur est prêt à être utilisé avant de laver des vêtements.

- Retourner les tricotés pour éviter le boulochage. Séparer les articles qui forment la charpie de ceux qui la retiennent. Les articles synthétiques, tricotés et articles en velours retiennent la charpie provenant des serviettes, des tapis et des tissus chenille.
- Ne pas sécher les vêtements si les taches sont toujours présentes après le lavage, car la chaleur pourrait fixer les taches sur le tissu.
- Toujours lire et suivre les instructions figurant sur les étiquettes de soin des tissus et sur les produits de lessive. Une mauvaise utilisation pourrait endommager les vêtements.

1. Trier et préparer le linge

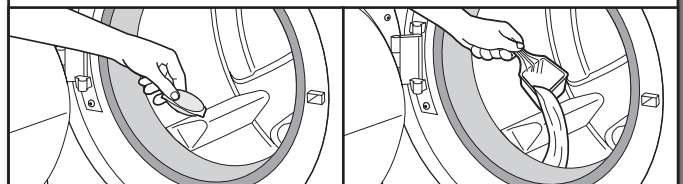


Trier les articles en fonction du programme et de la température d'eau recommandés, ainsi que la solidité des teintures. Séparer les articles très sales des articles peu sales. Séparer les articles délicats des tissus résistants. Traiter les taches sans délai et contrôler la solidité des teintures en essayant les produits d'élimination de taches sur une couture intérieure.

IMPORTANT :

- Vider les poches. Les pièces de monnaie, boutons et autres petits objets peuvent obstruer les pompes et nécessiter une intervention de dépannage.
- Fermer les fermetures à glissière, attacher les crochets, cordons et ceintures en tissu et retirer tout accessoire et ornement non lavables.
- Réparer les déchirures pour éviter que les articles ne s'endommagent encore davantage lors du nettoyage.

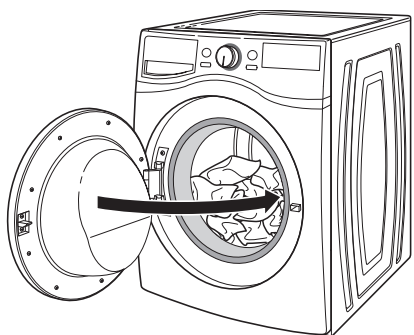
2. Ajouter les produits de buanderie (si désiré)



On peut ajouter des sachets de lessive à dose unique, des activateurs de lessive de type Oxi, de l'agent de blanchiment sans danger pour les couleurs ou de l'assouplissant pour tissu sous forme de cristaux dans le tambour avant d'ajouter le linge.

REMARQUE : Toujours suivre les instructions du fabricant.

3. Charger les vêtements dans la laveuse

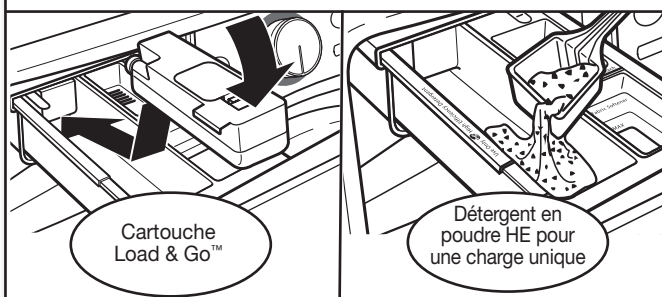


Placer une charge de linge trié dans la laveuse sans les tasser. Les articles doivent pouvoir se déplacer librement pour un nettoyage optimal et pour réduire le froissement et l’emmêlement. Fermer la porte de la laveuse en la poussant fermement jusqu’à ce que le loquet émette un clic.

- Il est possible de charger complètement la laveuse, selon le type de charge et le programme, mais les vêtements ne doivent pas être tassés. La porte de la laveuse doit fermer facilement. Voir “Guide de programmes” pour des suggestions sur le mode de chargement.
- Mélanger les gros articles avec les petits et éviter de laver des articles seuls. Charger de façon uniforme.
- Laver les petits articles dans des sacs à linge en filet. Si les petits articles sont nombreux, utiliser plus d’un sac et remplir les sacs de façon égale.

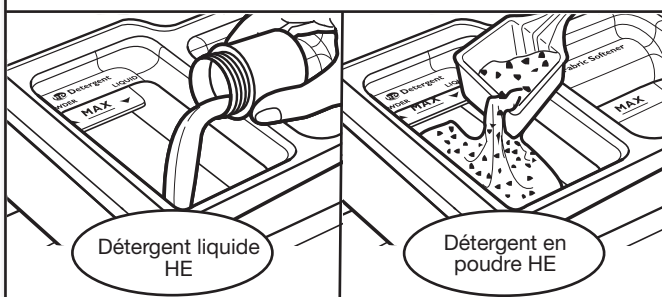
4. Ajouter du détergent HE

Tiroir du distributeur Load & Go™



Ajuster le distributeur de détergent en fonction du type de détergent HE utilisé (liquide ou en poudre). Voir les instructions de la section “Utilisation du tiroir Load & Go™” pour savoir comment utiliser le distributeur.

Tiroir du distributeur

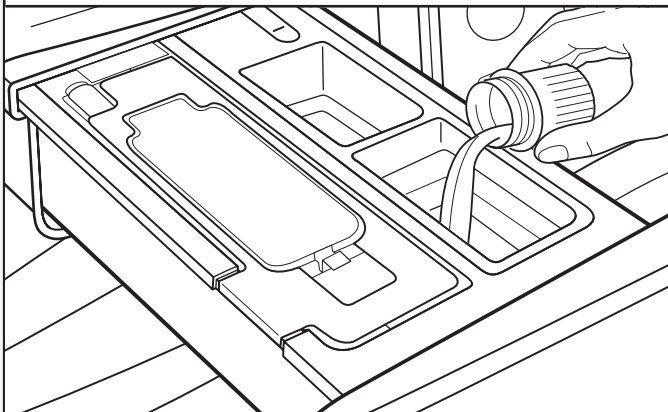


Ajuster le sélecteur en fonction du type de détergent HE utilisé (liquide ou en poudre). Voir les instructions de la section “Utilisation du tiroir du distributeur” pour savoir comment utiliser le distributeur.

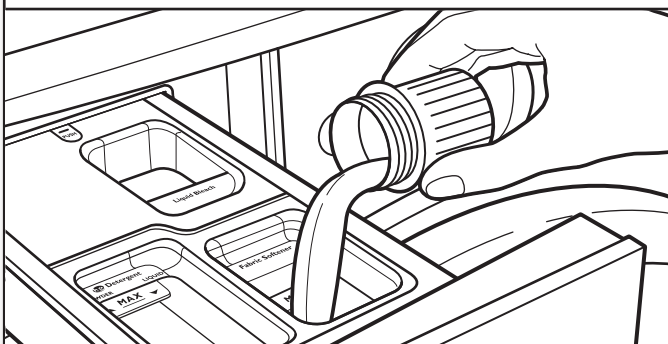
REMARQUE : Ne pas placer de sachets de lessive à dose unique, d’activateurs de lessive de type Oxi, d’agent de blanchiment sans danger pour les couleurs ou d’assouplissant pour tissu sous forme de cristaux dans les distributeurs. Ces produits ne se dissoudront pas correctement.

5. Verser de l'assouplissant pour tissu dans le distributeur (si désiré)

Tiroir du distributeur Load & Go™



Tiroir du distributeur



Verser une mesure de l'assouplissant pour tissu liquide dans le compartiment d'assouplissant pour tissu liquide. Toujours suivre les instructions du fabricant pour connaître la quantité d'assouplissant pour tissu adéquate en fonction de la taille de la charge.

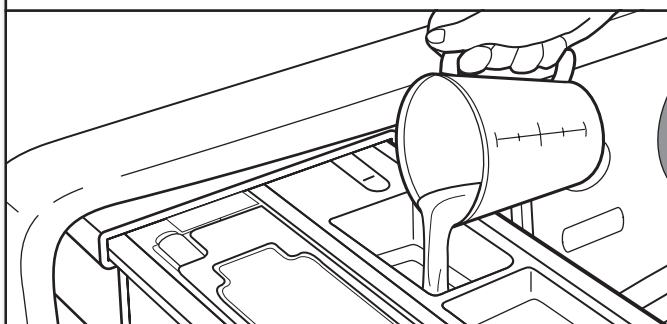
L'assouplissant pour tissu est toujours distribué lors du rinçage final, même si l'on a sélectionné Extra Rinse (rinçage supplémentaire).

IMPORTANT : Ne pas remplir excessivement le distributeur, diluer le produit ou utiliser plus de ¼ de tasse (60 ml) d'assouplissant pour tissu. Ne pas remplir au-delà du niveau MAX. Si l'on remplit excessivement le distributeur, l'assouplissant pour tissu sera distribué dans la laveuse immédiatement.

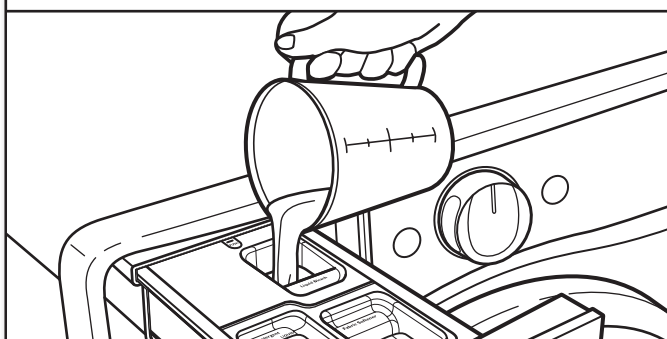
- Ne pas renverser ou faire couler d'assouplissant pour tissu sur les vêtements.
- Ne pas utiliser de boules distributrices d'assouplissant pour tissu dans cette laveuse. Elles ne distribueront pas leur contenu correctement.

6. Ajouter de l'agent de blanchiment liquide au chlore dans le distributeur (si désiré)

Tiroir du distributeur Load & Go™



Tiroir du distributeur



Ajouter une mesure d'agent de blanchiment liquide au chlore dans le compartiment d'agent de blanchiment. Ne pas remplir excessivement le distributeur, diluer le produit ou utiliser plus de ⅓ de tasse (165 ml). Ne pas ajouter d'agent de blanchiment sans danger pour les couleurs ou de produit Oxi dans le même programme avec l'agent de blanchiment liquide au chlore.

IMPORTANT :

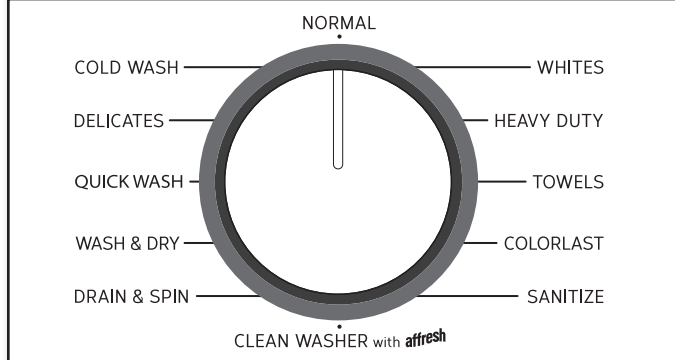
- Toujours mesurer la quantité d'agent de blanchiment liquide. Utiliser une tasse à mesurer avec un bec verseur; ne pas utiliser une quantité approximative.
- Ne pas remplir au-delà du niveau "MAX". Un remplissage excessif peut endommager les vêtements.
- Ne pas utiliser de l'eau de Javel épaisse, facile à verser ou anti-éclaboussure lorsque le programme de nettoyage de la laveuse avec affresh® est en cours car cela peut entraîner une surproduction de mousse.

7. Appuyer sur POWER (mise sous tension) pour mettre la laveuse en marche



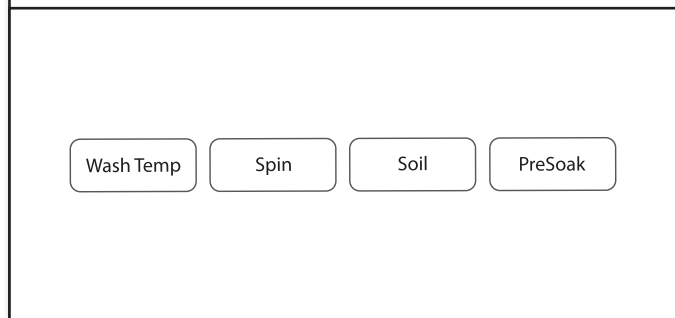
Fermer lentement le tiroir Load & Go™. S'assurer que le tiroir est complètement fermé, puis appuyer sur POWER (mise sous tension) pour mettre la laveuse en marche ou passer à l'étape 8.

8. Sélectionner le PROGRAMME*



Tourner le bouton de programme pour choisir un programme de lavage. Voir "Guide de programmes" pour plus de détails concernant les caractéristiques de programmes.

9. Ajuster les réglages, si désiré*



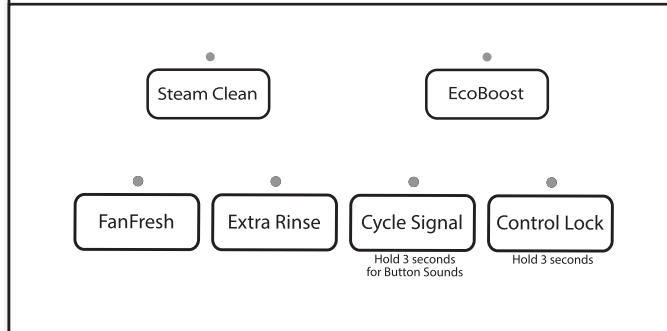
L'affichage indique les réglages par défaut correspondant au programme sélectionné. Pour ajuster un réglage, appuyer sur son nom – Wash Temp, Spin, Soil, ou PreSoak. Le fait d'ajuster les réglages modifiera la durée estimée restante. La laveuse peut également prolonger le programme si les vêtements sont tassés à l'intérieur, si la charge est déséquilibrée ou si la laveuse produit trop de mousse.

Vous pouvez également modifier les réglages de concentration de détergent et de dureté de l'eau, si nécessaire. Les réglages de concentration 2x et de dureté normale de l'eau sont les réglages par défaut. Si la concentration du détergent n'est pas indiquée sur l'emballage, voir "À propos de la concentration du détergent" pour calculer la concentration.

Modification des réglages du distributeur :

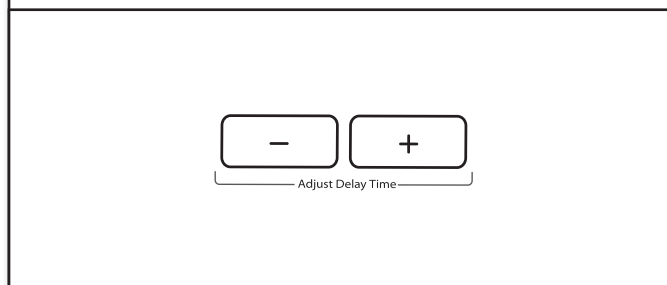
1. Appuyer sur DETERGENT CONCENTRATION (concentration du détergent) jusqu'à l'apparition de la valeur de concentration désirée sur l'afficheur de la minuterie.
2. Appuyer sur WATER HARDNESS (dureté de l'eau) jusqu'à l'apparition de la valeur de dureté désirée sur l'afficheur de la minuterie.

10. Sélectionner toute option supplémentaire*



Pour ajouter une option au programme, appuyer sur son nom – Steam Clean, option EcoBoost™, FanFresh®, Extra Rinse, Cycle Signal ou Control Lock. Pour retirer une option du programme sélectionné, appuyer de nouveau sur cette option.

11. Régler un lavage différé



Si l'on ne souhaite pas démarrer un programme immédiatement, on peut choisir l'option Delay Wash (lavage différé). Ceci retarde le démarrage du programme de lavage pendant un maximum de 8–12 heures.

Pour régler un lavage différé :

1. Appuyer sur + et – de ADJUST DELAY TIME (ajustement de l'heure de lavage différé) pour régler l'heure de mise en marche différée souhaitée.
2. Appuyer sur START (mise en marche) pour régler le compte à rebours différé. Le compte à rebours cesse de clignoter.

*Tous les réglages et toutes les options ne sont pas disponibles sur tous les programmes. Voir "Guide de programmes" pour les options et les réglages disponibles.

12. Appuyer sans relâcher sur START (mise en marche) pour démarrer le programme de lavage



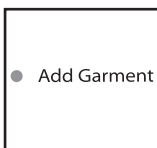
Hold to Start

Appuyer sans relâcher sur START (mise en marche) pour démarrer le programme de lavage. Pour suspendre un programme en cours, appuyer une fois sur START (mise en marche), puis appuyer de nouveau sans relâcher pour poursuivre le programme. Pour annuler un programme, appuyer sur POWER (mise sous tension).

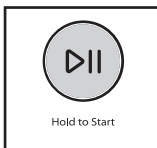
Une fois que l'on a appuyé sans relâcher sur START (mise en marche), on entend la porte se verrouiller, se déverrouiller, puis se verrouiller à nouveau. La porte de la laveuse demeurera verrouillée durant le programme de lavage.

Déverrouillage de la porte pour pouvoir ajouter des vêtements :

Si l'on doit ouvrir la porte pour pouvoir ajouter 1 ou 2 vêtements oubliés, on peut le faire lorsque le témoin lumineux "Add Garment" (ajouter vêtement) est allumé. Le temps alloué pour ajouter un vêtement dépend du programme sélectionné et de la taille de la charge.



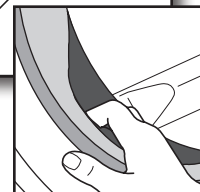
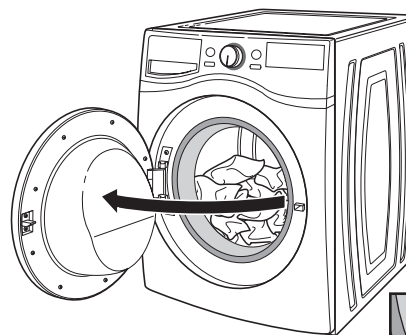
Appuyer une fois sur START (mise en marche); la porte se déverrouille une fois que le mouvement de la laveuse a cessé. Cela peut prendre plusieurs minutes. Fermer ensuite la porte et appuyer sans relâcher sur START (mise en marche) pour redémarrer le programme.



Ajouter des articles après que le témoin "Ajouter un vêtement" soit éteint :

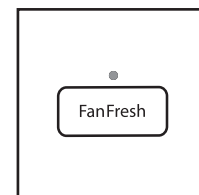
Annuler le programme en cours. L'eau se drainera et le programme devra être sélectionné et démarré de nouveau. Pour un lavage efficace et une économie d'énergie optimale, n'ajouter de vêtements que lorsque le témoin "Ajouter un vêtement" est allumé.

13. Retirer rapidement les vêtements une fois le programme terminé



Retirer rapidement les vêtements une fois le programme terminé pour éviter que des odeurs ne se développent et que les objets métalliques faisant partie des vêtements ne rouillent. Lorsqu'on décharge les vêtements, tirer le dispositif de verrouillage de la porte et vérifier qu'il ne reste pas de petits articles entre la cuve et le tambour.

Si l'on n'est pas en mesure de retirer rapidement la charge, utiliser l'option FanFresh®. Si l'on sélectionne l'option FanFresh®, la laveuse active automatiquement le ventilateur et fait culbuter la charge périodiquement pendant un maximum de 12 heures. Pour désactiver l'option FanFresh®, appuyer sur POWER (mise sous tension). Pour que l'option FanFresh® ne s'active pas pour les prochains programmes, appuyer sur FANFRESH.



REMARQUE :

- La porte reste verrouillée tant que l'option FanFresh® est active. Pour annuler l'option et déverrouiller la porte, appuyer sur POWER (mise sous tension).
- Il est possible qu'une petite quantité d'eau reste dans les distributeurs une fois le programme de lavage terminé. Ceci est normal.
- Cette laveuse dispose d'une fermeture étanche pour éviter les fuites d'eau. Pour éviter la formation d'odeurs, laisser la porte ouverte afin de permettre à la laveuse de sécher entre les utilisations.

Entretien de la laveuse

TUYAUX D'ARRIVÉE D'EAU

Remplacer les tuyaux d'arrivée d'eau après 5 ans d'utilisation pour réduire le risque de défaillance intempestive. Inspecter périodiquement les tuyaux; les remplacer en cas de renflement, de déformation, de coupure et d'usure ou de fuite.

Lorsque vous remplacez les tuyaux d'arrivée d'eau :

- Noter la date de remplacement au marqueur indélébile sur l'étiquette.
- Vérifier que les vieilles rondelles ne sont pas coincées dans la valve d'entrée de la laveuse.
- Utiliser de nouvelles rondelles avec les nouveaux tuyaux d'entrée pour assurer une bonne étanchéité.

ENTRETIEN DE LA LAVEUSE

Recommandations pour le maintien de la propreté de la laveuse et du niveau de performance optimal

1. Utiliser toujours un détergent HE (haute efficacité) et employer la quantité de détergent recommandée par le fabricant du détergent HE. Ne jamais utiliser plus que la quantité recommandée de détergent, car ceci peut augmenter le taux d'accumulation de résidus de détergent et de souillures à l'intérieur de la laveuse, ce qui susciterait la formation d'odeurs indésirables.
2. Exécuter périodiquement des lavages avec de l'eau tiède ou chaude (pas exclusivement des lavages à l'eau froide), car l'eau chaude facilite l'élimination des résidus de détergent et de souillures.
3. Veiller à toujours laisser la porte de la laveuse entrouverte pour qu'elle puisse sécher et pour éviter l'accumulation de résidus générateurs d'odeurs.
4. Nettoyer périodiquement les résidus s'accumulant sur les surfaces intérieures du hublot en verre. Pour un meilleur entretien, passer un linge humide sur toute la partie intérieure du hublot de la porte.

Nettoyage de la laveuse à chargement par l'avant

Lire complètement ces instructions avant d'entreprendre les opérations de nettoyage de routine recommandées ci-dessous. Le processus d'entretien de la laveuse devrait être exécuté au moins une fois par mois, ou à intervalles de 30 lavages (première limite atteinte); ceci permettra de minimiser l'accumulation de résidus de détergent et de souillures à l'intérieur de la laveuse.

Nettoyage du joint de la porte

1. Ouvrir la porte de la laveuse; retirer tous les articles présents dans la laveuse.
2. Inspecter le joint gris entre l'embrasure de la porte et le tambour – noter toute zone tachée ou d'accumulation de souillures. Tirer sur le joint et inspecter partout sous le joint – rechercher la présence éventuelle d'objets étrangers.
3. S'il y a des zones tachées ou d'accumulation de souillures, nettoyer ces zones du joint par essuyage, selon l'une des deux méthodes ci-dessous :
 - a. **Procédure de nettoyage avec lingettes affresh® :**
 - i. Une fois le programme terminé, tirer doucement sur le joint en caoutchouc de la porte et nettoyer toute la surface avec la face rugueuse de la lingette de nettoyage pour laveuse affresh®.
 - b. **Procédure de nettoyage avec de l'eau de Javel diluée :**
 - i. Préparer une solution diluée de l'agent de blanchiment au chlore – $\frac{3}{4}$ tasse (177 ml) de l'agent de blanchiment au chlore liquide et 1 gallon (3,8 l) d'eau tiède puisée au robinet.
 - ii. Appliquer la solution sur les zones concernées du joint avec un chiffon imbibé de la solution diluée.
 - iii. Laisser le produit agir pendant 5 minutes.

ENTRETIEN DE LA LAVEUSE (suite)

- iv. Essuyer parfaitement la surface du joint avec un chiffon sec et laisser la porte de la laveuse ouverte pour que l'intérieur puisse sécher.

IMPORTANT :

- Porter des gants de caoutchouc lors des manipulations de l'agent de blanchiment au chlore.
- Consulter et observer les instructions et recommandations du fabricant pour l'utilisation appropriée de l'agent de blanchiment au chlore.

Nettoyage de l'intérieur de la laveuse

Cette laveuse comporte un programme spécial avec utilisation d'un volume d'eau important en conjonction avec le nettoyant pour laveuse affresh® ou un agent de blanchiment liquide au chlore ordinaire pour le nettoyage approfondi de l'intérieur de la laveuse. Les modèles avec génération de vapeur utilisent également la vapeur avec ce programme spécial pour le nettoyage approfondi de l'appareil.

IMPORTANT : Ne pas utiliser de l'eau de Javel épaisse, facile à verser ou anti-éclaboussure lorsque le programme de nettoyage de la laveuse avec affresh® est en cours car cela peut entraîner une surproduction de mousse.

REMARQUE : Lire complètement ces instructions avant d'entreprendre les opérations de nettoyage.

Commencement du processus de nettoyage

1. Programme de nettoyage de la laveuse avec affresh® (Recommandé – Performance supérieure) :

- a. Ouvrir la porte de la laveuse; retirer tous les articles présents dans la laveuse.
- b. Utiliser une lingette de nettoyage pour laveuse affresh®, un tissu doux mouillé ou une éponge pour nettoyer l'intérieur de la porte en verre.
- c. Ajouter une pastille de nettoyant pour laveuse affresh® dans le tambour de la laveuse.
- d. Ne pas ajouter de pastille de nettoyant pour laveuse affresh® dans le tiroir du distributeur.
- e. Ne pas ajouter de détergent ou autre composé chimique dans la laveuse lors de l'exécution de cette opération.
- f. Fermer la porte de la laveuse.
- g. Sélectionner le programme Clean Washer with affresh® (nettoyage de la laveuse avec affresh®).
- h. **Sur certains modèles :** Sélectionner l'option FanFresh® pour mieux sécher l'intérieur de la laveuse une fois le programme terminé. **REMARQUE :** La laveuse garde en mémoire votre dernière sélection d'option et la sélectionnera pour vos prochains programmes de lavage, à moins que cette option soit retirée. La porte de la laveuse est verrouillée tant que le ventilateur est en marche. Pour déverrouiller la porte, appuyer sur POWER (mise sous tension).
- i. Appuyer sans relâcher sur START (mise en marche) pour lancer le programme. Le processus du programme de nettoyage de la laveuse avec affresh® est décrit ci-dessous.

2. Méthode avec l'agent de blanchiment au chlore :

- a. Ouvrir la porte de la laveuse; retirer tous les articles présents dans la laveuse.
- b. Ouvrir le tiroir du distributeur et ajouter de l'agent de blanchiment au chlore ordinaire au niveau MAX à la fois dans les compartiments d'agent de blanchiment et d'assouplissant pour tissu. On peut utiliser un agent de blanchiment au chlore HE ou traditionnel.

IMPORTANT : Ne pas utiliser de l'eau de Javel épaisse, facile à verser ou anti-éclaboussure car cela peut entraîner une surproduction de mousse.

REMARQUE : L'emploi répétitif d'une quantité d'agent de blanchiment liquide au chlore supérieure à ce qui est recommandé ci-dessus pourrait faire subir des dommages à la laveuse.

- c. Fermer la porte de la laveuse et le tiroir du distributeur.

ENTRETIEN DE LA LAVEUSE (suite)

- d. Ne pas ajouter de détergent ou autre composant chimique dans la laveuse lors de l'exécution de cette opération.
- e. Fermer la porte de la laveuse.
- f. Sélectionner le programme Clean Washer with affresh® (nettoyage de la laveuse avec affresh®).
- g. **Sur certains modèles :** Sélectionner l'option FanFresh® pour mieux sécher l'intérieur de la laveuse une fois le programme terminé. **REMARQUE :** La laveuse garde en mémoire votre dernière sélection d'option et la sélectionnera pour vos prochains programmes de lavage, à moins que cette option soit retirée. La porte de la laveuse est verrouillée tant que le ventilateur est en marche. Pour déverrouiller la porte, appuyer sur POWER (mise sous tension).
- h. Appuyer sans relâcher sur START (mise en marche) pour lancer le programme. Le processus du programme de nettoyage de la laveuse avec affresh® est décrit ci-dessous.

REMARQUE : Pour de meilleurs résultats, ne pas interrompre le programme.

Description du programme de nettoyage de la laveuse avec affresh® :

1. Le programme Clean Washer with affresh® (nettoyage de la laveuse avec affresh®) détecte la présence éventuelle de linge dans la laveuse.
2. Si aucun article n'est détecté dans la laveuse, l'exécution du programme se poursuit.
 - a. Si un quelconque article est détecté dans la laveuse, le code "rL" (retirer la charge) est présenté sur l'afficheur. La porte se déverrouille. Ouvrir la laveuse et retirer tout le linge qui se trouve dans le tambour de la laveuse.
 - b. Appuyer sur POWER (mise sous tension) de l'appareil pour faire disparaître le code "rL" de l'afficheur.
 - c. Appuyer sans relâcher sur START (mise en marche) pour redémarrer le programme.
3. **Modèles avec génération de vapeur uniquement :** Durant les 20 premières minutes, le programme active la génération de vapeur, mais le tambour ne tourne pas et ne se remplit pas d'eau. De la condensation peut se former sur le hublot de la porte durant cette phase initiale. En cas d'utilisation d'une pastille de nettoyage pour laveuse affresh®, celle-ci ne se dissout pas entièrement durant la phase de génération de vapeur. Ceci est normal.

Après l'achèvement du programme, laisser la porte de la laveuse entrouverte pour que l'intérieur puisse sécher et pour permettre l'aération.

Nettoyage du distributeur

Après avoir utilisé la laveuse pendant un certain temps, on trouvera peut-être des traces de produits de lessive dans les compartiments de distributeurs. Pour éliminer ces traces, retirer le tiroir et essuyer les surfaces avec une lingette de nettoyage pour laveuse affresh® ou un chiffon humide et sécher avec une serviette avant ou après l'exécution du programme de nettoyage de la laveuse avec affresh®. Si nécessaire, utiliser un nettoyant tout-usage.

IMPORTANT : Le distributeur n'est pas lavable au lave-vaisselle.

Nettoyage de l'extérieur de la laveuse

Utiliser une lingette de nettoyage pour laveuse affresh® ou un chiffon doux humide ou une éponge pour éliminer les traces de tout renversement de produit. Essuyer occasionnellement les surfaces externes de la laveuse pour entretenir son aspect de produit neuf. Utiliser une lingette de nettoyage pour laveuse affresh® ou un savon doux et de l'eau.

IMPORTANT : Pour ne pas endommager la finition de la laveuse, ne jamais utiliser un produit abrasif.

RAPPEL DE LANCER DU PROGRAMME CLEAN WASHER (NETTOYAGE DE LA LAVEUSE)

REMARQUE : Tous les modèles ne sont pas équipés du témoin lumineux de rappel de nettoyage de la laveuse avec affresh®.

Le témoin DEL Clean Washer with affresh® (nettoyage de la laveuse avec affresh®) clignote à la fin d'un programme de lavage après que la laveuse a effectué 30 programmes de lavage. Il fait office de rappel indiquant à l'utilisateur qu'il faut lancer le programme de nettoyage de la laveuse avec affresh®.



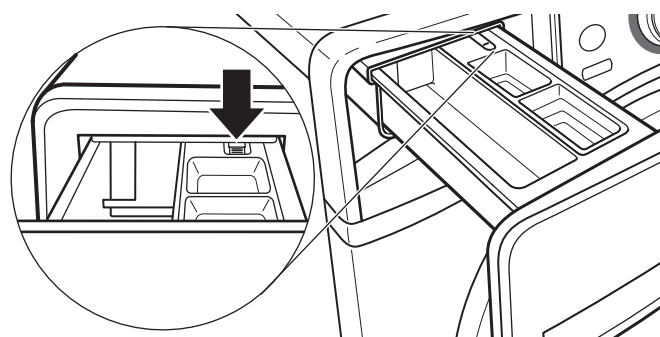
Si le programme de nettoyage de la laveuse avec affresh® n'est pas activé, le témoin DEL cesse de clignoter à la fin d'un programme de lavage après que la laveuse a effectué 3 programmes de lavage ordinaires supplémentaires. Après que la laveuse a effectué 30 programmes de lavage supplémentaires, le témoin DEL de nettoyage de la laveuse avec affresh® clignote à nouveau à la fin d'un programme de lavage en guise de rappel.

POUR RETIRER LE DISTRIBUTEUR

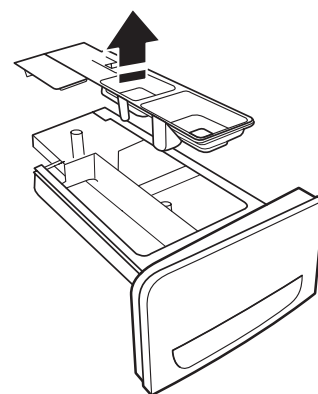
Tiroir du distributeur Load & Go™

Pour retirer :

1. Tirer le tiroir du distributeur jusqu'à la butée.
2. Appuyer sur la patte de déverrouillage et dégager le distributeur en le tirant tout droit.

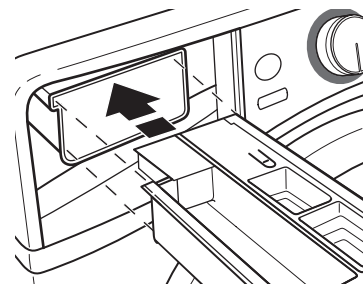


3. Soulever le panneau du couvercle et le tirer tout droit vers le haut.



Pour remettre :

1. Faites glisser le panneau du couvercle sur les pitons du distributeur.
2. Aligner les bords du distributeur avec les guides situés dans la laveuse, puis réinsérer le distributeur dans la fente en le faisant glisser.



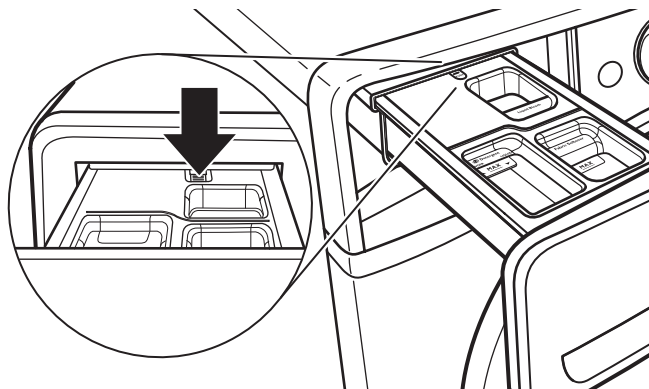
ENTRETIEN DE LA LAVEUSE (suite)

Tiroir du distributeur

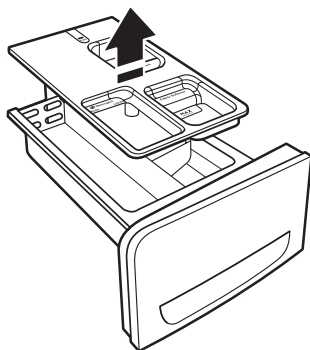
Pour retirer le distributeur

Pour retirer :

1. Tirer le tiroir du distributeur jusqu'à la butée.
2. Appuyer sur la patte de déverrouillage et dégager le distributeur en le tirant tout droit.

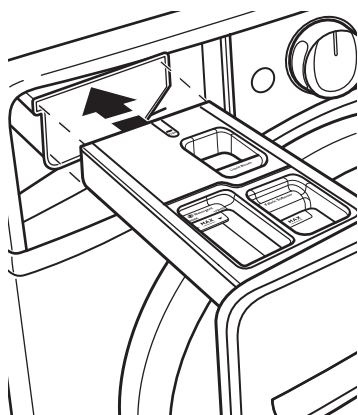


3. Soulever le panneau du couvercle et le tirer tout droit vers le haut.



Pour remettre :

1. Faites glisser le panneau du couvercle sur les tiges du distributeur.
2. Aligner les bords du distributeur avec les guides situés dans la laveuse, puis réinsérer le distributeur dans la fente en le faisant glisser.

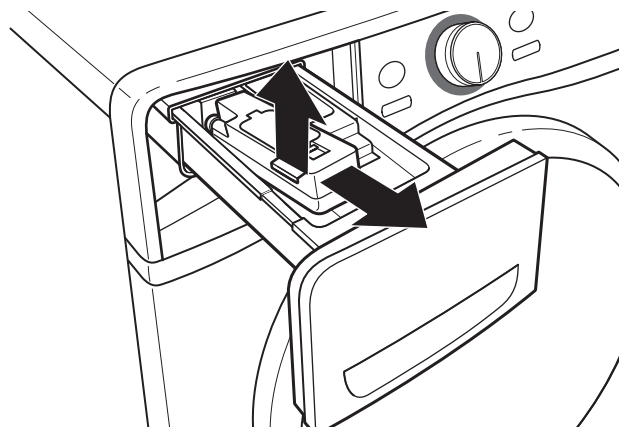


NETTOYAGE DE LA CARTOUCHE LOAD & GO™ (sur certains modèles)

Il est recommandé de rincer la cartouche Load & Go™ lorsqu'on change de type ou de concentration de détergent ou si l'on n'utilise pas la laveuse pendant une période prolongée.

1. Tirer le distributeur jusqu'à la butée.
2. Soulever la cartouche Load & Go™.
3. Soulever le couvercle de la cartouche, essuyer l'intérieur à l'aide d'une lingette de nettoyage pour laveuse affresh® ou un chiffon mouillé et vidanger l'intérieur soigneusement à l'eau chaude.
4. Laisser sécher à l'air libre ou bien essuyer soigneusement avec un torchon propre et doux.

IMPORTANT : La cartouche n'est pas lavable au lave-vaisselle.



NON UTILISATION ET ENTRETIEN EN PÉRIODE DE VACANCES

Faire fonctionner la laveuse seulement lorsqu'on est présent. En cas de déménagement ou si l'on n'utilise pas la laveuse pendant longtemps, suivre les étapes suivantes :

1. Débrancher la laveuse ou déconnecter la source de courant électrique.
2. Fermer l'alimentation en eau à la laveuse pour éviter toute inondation due à une surpression.

CONSEIL UTILE : Fixer une note à la laveuse pour rappeler d'ouvrir de nouveau l'eau avant de l'utiliser à nouveau.

3. Nettoyer les distributeurs. Consulter "Nettoyage des distributeurs".

ENTRETIEN POUR ENTREPOSAGE HIVERNAL

IMPORTANT : Pour éviter tout dommage, installer et remiser la laveuse à l'abri du gel. L'eau qui peut rester dans les tuyaux risque d'abîmer la laveuse en temps de gel. Si la laveuse doit faire l'objet d'un déménagement ou d'entreposage au cours d'une période de gel, hivériser la laveuse.

Hivérisation de la laveuse :

1. Fermer les deux robinets d'eau; déconnecter et vidanger les tuyaux d'arrivée d'eau.

CONSEIL UTILE : Fixer une note à la laveuse pour rappeler d'ouvrir de nouveau l'eau avant de l'utiliser à nouveau.

2. Placer 1 qt (1 l) d'antigel pour véhicule récréatif dans le tambour et faire fonctionner la laveuse sur un programme Normal (normal) pendant environ deux minutes pour mélanger l'antigel et l'eau restante.
3. Débrancher la laveuse ou déconnecter la source de courant électrique.

TRANSPORT DE LA LAVEUSE

1. Fermer les deux robinets d'eau. Débrancher et vidanger les tuyaux d'arrivée d'eau.
2. Si l'on déplace la laveuse pendant une période de gel, suivre les instructions de la section "Entretien pour entreposage hivernal" avant de la déplacer.
3. Déconnecter le tuyau d'évacuation du système d'évacuation et de l'arrière de la laveuse.
4. Débrancher le cordon d'alimentation.
5. Placer les tuyaux d'arrivée d'eau et le tuyau d'évacuation dans le tambour de la laveuse.
6. Enrouler le cordon d'alimentation et l'attacher avec un élastique ou avec un attache-câble pour l'empêcher de traîner sur le plancher.

IMPORTANT : Demander une intervention de dépannage si l'on doit installer de nouveau boulons de transport. Ne pas réutiliser les boulons de transport. La laveuse doit être transportée en position verticale. Afin d'éviter d'endommager la structure de la laveuse, celle-ci doit être correctement installée pour pouvoir être déplacée par un technicien agréé.

RÉINSTALLATION/RÉUTILISATION DE LA LAVEUSE

Pour réinstaller la laveuse après une période de non-utilisation, de vacances, de remisage pour l'hiver ou après un déménagement :

1. Consulter les Instructions d'installation pour choisir l'emplacement, régler l'aplomb de la laveuse et la raccorder.
2. Avant de réutiliser la laveuse, exécuter la procédure recommandée suivante :

Remise en marche de la laveuse :

1. Vidanger les canalisations d'eau et les tuyaux. Reconnecter les tuyaux d'arrivée d'eau. Ouvrir les deux robinets d'eau.

⚠ AVERTISSEMENT



Risque de choc électrique

Brancher sur une prise à 3 alvéoles reliée à la terre.

Ne pas enlever la broche de liaison à la terre.

Ne pas utiliser un adaptateur.

Ne pas utiliser un câble de rallonge.

Le non-respect de ces instructions peut causer un décès, un incendie ou un choc électrique.

2. Brancher la laveuse ou reconnecter la source de courant électrique.
3. Faire exécuter à la laveuse le programme Heavy Duty (service intense) pour nettoyer la laveuse et éliminer l'antigel, le cas échéant. Utiliser uniquement un détergent HE. Utiliser la moitié de la quantité recommandée par le fabricant pour une charge de taille moyenne.

Dépannage

Essayer d'abord les solutions suggérées ici ou consulter le site Web www.whirlpool.com/product_help –
Au Canada www.whirlpool.ca pour obtenir de l'aide et pour éviter une intervention de réparation.

Si les phénomènes suivants se produisent	Causes possibles	Solution
Un code d'erreur apparaît sur l'affichage (pour les affichages à 2 et 3 caractères)		
Une fois que tout problème éventuel a été résolu, appuyer sur POWER (mise sous tension) pour effacer le code. Appuyer de nouveau sur POWER (mise sous tension) pour redémarrer la laveuse.		
"Sd" ou "Sud" (mousse excessive) apparaît sur l'affichage	Il y a trop de mousse dans la laveuse. La laveuse exécute une procédure de réduction de la quantité de mousse.	Laisser la laveuse continuer. Utiliser uniquement un détergent HE. Toujours suivre les recommandations du fabricant de détergent pour déterminer la quantité de détergent à utiliser. La quantité de détergent doit aussi tenir compte de la charge à laver. Les détergents identifiés HE ne comportent pas tous une formule identique et ne produisent pas tous la même quantité de mousse. Par exemple, les détergents HE naturels, organiques et faits maison peuvent produire une plus grande quantité de mousse. Si l'un de ces produits est utilisé et que le code d'erreur "SUD" s'affiche à l'écran, l'utilisation d'un autre détergent HE est conseillée. Appuyer sur WATER HARDNESS (dureté de l'eau) pour changer la dureté de l'eau à "soft" (douce).
"dEt" (détergent) apparaît sur l'affichage (sur certains modèles)	La cartouche du distributeur n'a pas été détectée.	S'assurer que la cartouche du distributeur est correctement insérée et que le tiroir distributeur est complètement fermé. Pour une dose de détergent destinée à une seule charge, ignorer ce message.
Lo suivi de FL ou F08 suivi de E1 ou Lo suivi de FL ou F08 suivi de E01 (erreur d'approvisionnement en eau) apparaît sur l'affichage	Vérifier que l'alimentation en eau est correcte.	L'appareil évacue l'eau pendant 8 minutes tandis que la porte reste verrouillée. Le programme de vidange doit pouvoir se terminer pour que les codes d'erreurs puissent être supprimés. Une fois terminé, appuyer une fois sur POWER (mise sous tension) pour effacer le code. Appuyer de nouveau sur POWER (mise sous tension) pour redémarrer la laveuse. Si le code réapparaît, faire un appel de service. Les deux tuyaux doivent être fixés et l'eau doit pénétrer dans la valve d'arrivée. Les robinets d'eau chaude et d'eau froide doivent être ouverts tous les deux. Les tamis des valves d'arrivée d'eau de la laveuse sont peut-être obstrués. Éliminer toute déformation du tuyau d'arrivée. Si utilisés, les raccords d'arrêt automatique et les tuyaux doivent être installés correctement et en bon état de fonctionnement.
F09 suivi de E1 ou F09 suivi de E01 (erreur du système de pompe de vidange) apparaît sur l'affichage	Inspecter le circuit de plomberie pour vérifier que le tuyau de vidange est correctement installé. Le tuyau de vidange se prolonge dans le tuyau rigide de rejet à l'égout au-delà de 4 ¹ / ₂ " (114 mm).	N'utiliser que les tuyaux d'arrivée recommandés par le fabricant.
F09 suivi de E1 ou F09 suivi de E01 (erreur du système de pompe de vidange) apparaît sur l'affichage	Détergent HE non utilisé ou utilisation excessive de détergent HE.	Vérifier que le tuyau de vidange est correctement installé. Vérifier que le tuyau d'évacuation n'est pas déformé, écrasé ou obstrué. Retirer toute obstruction du tuyau de vidange. Utiliser la bride de retenue pour tuyau de vidange et la fixer solidement au tuyau de rejet à l'égout ou à la cuve. Abaisser le tuyau de vidange si l'extrémité se trouve à plus de 96" (2,4 m) au-dessus du plancher.
F05 suivi de E2 ou F05 suivi de E02 (la porte ne se verrouille pas) apparaît sur l'affichage	La porte de la laveuse ne se verrouille pas.	Utiliser uniquement un détergent HE. Toujours mesurer le détergent et suivre les instructions du fabricant en fonction de la taille et du niveau de saleté de la charge. Appuyer sur POWER (mise sous tension) pour annuler le programme. S'assurer que la porte est parfaitement fermée et verrouillée. Vérifier qu'aucun article dans le tambour de la laveuse n'est susceptible d'empêcher la porte de se fermer complètement.
"rL" (retirer la charge) apparaît sur l'affichage	Charge détectée dans le tambour durant le programme Clean Washer with affresh® (nettoyage de la laveuse avec affresh®).	Retirer les articles du tambour et redémarrer le programme Clean Washer with affresh® (nettoyage de la laveuse avec affresh®).

Dépannage

Essayer d'abord les solutions suggérées ici ou consulter le site Web www.whirlpool.com/product_help –
Au Canada www.whirlpool.ca pour obtenir de l'aide et pour éviter une intervention de réparation.

Si les phénomènes suivants se produisent	Causes possibles	Solution
Un code d'erreur apparaît sur l'affichage (pour les affichages à 2 et 3 caractères) (suite)		
Les trois témoins lumineux de niveau de détergent sont allumés (sur certains modèles)	Le distributeur de détergent n'est pas bien en place.	Tirer le distributeur, le remplir de détergent et le réinsérer en le faisant coulisser.

AVERTISSEMENT



Risque de choc électrique

Brancher sur une prise à 3 alvéoles reliée à la terre.

Ne pas enlever la broche de liaison à la terre.

Ne pas utiliser un adaptateur.

Ne pas utiliser un câble de rallonge.

Le non-respect de ces instructions peut causer un décès, un incendie ou un choc électrique.

Les trois témoins lumineux de niveau de détergent sont allumés (sur certains modèles) (suite)	Erreur de détection du niveau de détergent.	Appuyer sur POWER (mise sous tension) pour réinitialiser le système. Si tous les témoins DEL d'état de détergent restent allumés, débrancher la laveuse pendant 30 secondes, puis la rebrancher. Si le problème persiste, enlever la cartouche et utiliser une dose unique jusqu'à ce que le problème puisse être résolu.
Un code F# E# ou F## E## autre que les codes décrits ci-dessus apparaît sur l'affichage	Code d'erreur du système.	Appuyer une fois sur POWER (mise sous tension) pour effacer le code. Appuyer ensuite de nouveau sur POWER (mise sous tension) pour redémarrer la laveuse. Si le code réapparaît, faire un appel de service. Débrancher la laveuse pendant 30 secondes, puis la rebrancher.
La laveuse émet des signaux sonores pour signaler une erreur	La porte n'a été ni ouverte ni fermée pendant au moins 3 programmes.	Ce code peut apparaître lorsque la laveuse est mise en marche pour la première fois. Ouvrir et fermer la porte pour effacer l'affichage.
La laveuse émet un bip lorsqu'on appuie sur START (mise en marche)	La porte n'est pas fermée.	Fermer la porte complètement.
Témoin lumineux DEL de nettoyage de la laveuse clignotant à la fin du programme de lavage (sur certains modèles)	La laveuse a effectué 30 programmes de lavage et un témoin de rappel indiquant à l'utilisateur qu'il doit lancer le programme Clean Washer with affresh® s'allume.	Lancer le programme Clean Washer with affresh®. Si le programme de nettoyage de la laveuse avec affresh® n'est pas activé, le témoin DEL cesse de clignoter après que la laveuse a effectué 3 programmes de lavage ordinaires supplémentaires. Après que la laveuse a effectué 30 programmes de lavage supplémentaires, le témoin DEL de nettoyage de la laveuse avec affresh® clignote à nouveau à la fin d'un programme de lavage en guise de rappel.

Dépannage

Essayer d'abord les solutions suggérées ici ou consulter le site Web www.whirlpool.com/product_help –
Au Canada www.whirlpool.ca pour obtenir de l'aide et pour éviter une intervention de réparation.

Si les phénomènes suivants se produisent	Causes possibles	Solution
Vibrations ou déséquilibre		
Vibrations, balancement ou effet de "marche" de la laveuse	Les pieds ne sont peut-être pas en contact avec le plancher ou verrouillés.	Les pieds avant et arrière doivent être en contact ferme avec le plancher et la laveuse doit être d'aplomb pour fonctionner correctement. Les contre-écrous doivent être bien serrés contre le bas de la caisse.
	La laveuse n'est peut-être pas d'aplomb.	Vérifier que le plancher n'est pas incurvé ou qu'il ne s'affaisse pas. Si le plancher est irrégulier, un morceau de contreplaqué de ¾" (19 mm) placé sous la laveuse permettra de réduire le bruit. Ne pas installer la laveuse sur une plateforme de bois surélevée. Voir "Réglage de l'aplomb de la laveuse" dans les Instructions d'installation.
	La charge est peut-être déséquilibrée ou de trop grande taille.	Éviter de tasser la charge. Éviter de laver un article seul. Compenser le poids d'un article seul tel qu'un tapis ou une paire de jeans par quelques articles supplémentaires pour équilibrer le tout. L'article ou la charge ne convient pas au programme sélectionné. Voir "Guide de programme" et "Utilisation de la laveuse".
	Les boulons d'expédition se trouvent toujours à l'arrière de la laveuse.	Voir "Élimination des accessoires de transport" dans les Instructions d'installation.
Bruits		
Cliquetis ou bruits métalliques	Porte qui se verrouille ou se déverrouille.	La porte se verrouillera, se déverrouillera, puis se verrouillera à nouveau. Trois dé clics se font entendre une fois que l'on appuie sans relâcher sur START (mise en marche). Ceci est normal.
	Des objets sont coincés dans le système de vidange de la laveuse.	Vider les poches avant le lavage. Les articles mobiles, tels des pièces de monnaie, sont susceptibles de tomber entre le tambour et la cuve; ils peuvent aussi obstruer la pompe. Un appel pour intervention de dépannage s'avérera peut-être nécessaire pour retirer ces objets. Il est normal d'entendre des articles métalliques faisant partie des vêtements comme les boutons-pression métalliques, boucles ou fermetures à glissière toucher le tambour en acier inoxydable.
Gargouillement ou bourdonnement	La laveuse est peut-être en train d'évacuer de l'eau.	Il est normal d'entendre la pompe produire un bourdonnement continu accompagné de gargouillements ou de bruits de pompage périodiques lorsque l'eau de fin de programme est éliminée au cours des programmes d'essorage/de vidange.
Roulement, ballotement ou cliquetis occasionnel (pour un essorage à faible vitesse)	Les boules d'acier du système d'équilibrage équilibrent la charge.	Ceci est normal pour certaines étapes du programme.
Fuites d'eau		
Vérifier ce qui suit pour : que l'installation soit correcte :	Les tuyaux de remplissage ne sont pas solidement fixés.	Serrer le raccord du tuyau de remplissage.
	Rondelles d'étanchéité des tuyaux de remplissage.	Installer correctement les quatre rondelles d'étanchéité plates des tuyaux de remplissage d'eau.
	Raccord du tuyau de vidange.	Vérifier que le tuyau d'évacuation est bien fixé au tuyau de rejet à l'égout ou à l'évier de buanderie.
	Inspecter le circuit de plomberie du domicile pour vérifier qu'il n'y a pas de fuites ou que l'évier ou le tuyau de vidange n'est pas obstrué.	De l'eau pourrait refouler de l'évier ou du tuyau de rejet à l'égout obstrué. Inspecter tout le circuit de plomberie du domicile (éviers de buanderie, tuyau de vidange, conduites d'eau et robinets) pour vérifier qu'il n'y a aucune fuite.
	La grille (ou le bas de nylon) située au bout du tuyau de vidange est bouchée.	Retirer la grille ou le bas du tuyau de vidange.

Dépannage

Essayer d'abord les solutions suggérées ici ou consulter le site Web www.whirlpool.com/product_help –
Au Canada www.whirlpool.ca pour obtenir de l'aide et pour éviter une intervention de réparation.

Si les phénomènes suivants se produisent	Causes possibles	Solution
Fuites d'eau (suite)		
Eau ou mousse suintant par la porte ou par l'arrière de la caisse	Détergent HE non utilisé ou utilisation excessive de détergent HE.	Utiliser uniquement un détergent HE. La mousse produite par des détergents ordinaires peut causer des fuites au niveau de la porte ou de l'arrière de la caisse. Toujours mesurer la quantité de détergent et suivre les instructions du détergent en fonction des modalités de nettoyage de la charge.
	Ne pas utiliser de l'eau de Javel épaisse, facile à verser ou anti-éclaboussure lorsque le programme de nettoyage de la laveuse avec affresh® est en cours.	Utiliser une pastille affresh® ou de l'eau de Javel ordinaire non épaisse lorsque le programme de nettoyage de la laveuse avec affresh® est en cours.
	Résidus sur le hublot de la porte.	Nettoyer régulièrement le dessous du hublot en verre pour éviter toute fuite éventuelle.
	Porte ouverte pendant que la fonction "Add Garment" (ajouter un vêtement) est activée.	De l'eau peut suinter de l'intérieur de la porte si celle-ci est ouverte après le début d'un programme.
Fuite autour de la porte	Des cheveux, de la charpie ou d'autres débris sur l'intérieur du hublot de la porte empêchent la fermeture étanche de la porte.	Nettoyer l'intérieur de la porte et le joint. Voir "Nettoyage du joint de la porte" dans la section "Entretien de la laveuse".
La laveuse ne fonctionne pas comme prévu		
La charge n'est pas complètement submergée dans l'eau	Niveau d'eau non visible par la porte ou eau ne recouvrant pas les vêtements.	Ceci est normal pour une laveuse HE à chargement frontal. La laveuse détecte la taille de la charge et ajoute la quantité d'eau adéquate pour un nettoyage optimal.
La laveuse ne fonctionne pas ou ne se remplit pas; elle cesse de fonctionner	Vérifier que l'alimentation en eau est correcte.	Les deux tuyaux doivent être fixés et l'eau doit pénétrer dans la valve d'arrivée.
		Les robinets d'eau chaude et froide doivent être ouverts.
		Vérifier que les tamis des valves d'arrivée ne sont pas obstrués.
		Vérifier que les tuyaux d'arrivée d'eau ne sont pas déformés; ceci peut réduire le débit.

AVERTISSEMENT



Risque de choc électrique

Brancher sur une prise à 3 alvéoles reliée à la terre.

Ne pas enlever la broche de liaison à la terre.

Ne pas utiliser un adaptateur.

Ne pas utiliser un câble de rallonge.

Le non-respect de ces instructions peut causer un décès, un incendie ou un choc électrique.

La laveuse ne fonctionne pas ou ne se remplit pas; elle cesse de fonctionner (suite)	Vérifier que l'alimentation électrique à la laveuse est correcte.	Brancher le cordon d'alimentation dans une prise à 3 alvéoles reliée à la terre.
		Ne pas utiliser de câble de rallonge.
		Vérifier que la prise est alimentée.
		Ne pas brancher dans un DDFT (disjoncteur différentiel de fuite à la terre).

Dépannage

Essayer d'abord les solutions suggérées ici ou consulter le site Web www.whirlpool.com/product_help –
Au Canada www.whirlpool.ca pour obtenir de l'aide et pour éviter une intervention de réparation.

Si les phénomènes suivants se produisent	Causes possibles	Solution
La laveuse ne fonctionne pas comme prévu (suite)		
La laveuse ne fonctionne pas ou ne se remplit pas; elle cesse de fonctionner (suite)	Vérifier que l'alimentation électrique à la laveuse est correcte. (suite)	<p>Inspecter la source de courant électrique ou appeler un électricien pour vérifier si la tension est basse.</p> <p>Remettre un disjoncteur qui serait ouvert en marche. Remplacer tout fusible grillé.</p> <p>REMARQUE : Si le problème persiste, appeler un électricien.</p>
	Fonctionnement normal de la laveuse.	La porte doit être complètement fermée et verrouillée pour que la laveuse puisse fonctionner.
		La laveuse fait des pauses durant certaines phases du programme. Ne pas interrompre le programme.
		La laveuse fait une pause d'environ 2 minutes au cours de certains programmes. Laisser le programme se poursuivre. Certains programmes comprennent des périodes de culbutage et de trempage.
		On peut arrêter la laveuse pour réduire la production de mousse. Utiliser toujours la bonne quantité de détergent HE.
		Le programme de lavage à l'eau froide utilise moins d'eau au début du programme afin de permettre une concentration élevée de détergent et un lavage optimal. Après ce culbutage dans une eau concentrée en détergent, le lavage se poursuit avec davantage d'eau.
		Durant les 20 premières minutes, le programme active la génération de vapeur, mais le tambour ne tourne pas et ne se remplit pas d'eau. De la condensation peut se former sur le hublot de la porte durant cette phase initiale. En cas d'utilisation d'une pastille de nettoyant pour laveuse affresh®, celle-ci ne se dissout pas entièrement durant la phase de génération de vapeur. Ceci est normal.
	La porte de la laveuse n'est pas bien fermée.	La porte doit être fermée lorsque la laveuse est en marche.
	La laveuse n'a pas été chargée tel que recommandé.	Retirer plusieurs articles et ré-agencer la charge dans le tambour. Fermer la porte et appuyer sans relâcher sur START (mise en marche).
		Ne pas ajouter plus de 1 ou 2 articles supplémentaires après que le programme a commencé afin d'éviter que les vêtements ne soient tassés ou la charge déséquilibrée.
		Ne pas ajouter d'eau dans la laveuse.
	Détergent HE non utilisé ou utilisation excessive de détergent HE.	Utiliser uniquement un détergent HE. La mousse produite par des détergents ordinaires peut ralentir ou arrêter la laveuse. Toujours mesurer la quantité de détergent et suivre les instructions du fabricant en fonction des modalités de nettoyage de la charge.
Pour éliminer la mousse, sélectionner DRAIN & SPIN with Extra Rinse (vidange et essorage avec rinçage supplémentaire). Appuyer sans relâcher sur START (mise en marche). Ne pas ajouter de détergent.		
La porte n'a pas été ouverte entre deux programmes.	Lorsque n'importe quel programme de lavage ont été effectués à la suite, la porte doit être ouverte, puis refermée avant qu'un nouveau programme puisse commencer.	

Dépannage

Essayer d'abord les solutions suggérées ici ou consulter le site Web www.whirlpool.com/product_help –
Au Canada www.whirlpool.ca pour obtenir de l'aide et pour éviter une intervention de réparation.

Si les phénomènes suivants se produisent	Causes possibles	Solution
La laveuse ne fonctionne pas comme prévu (suite)		
La laveuse ne se vidange/n'essore pas; les charges restent mouillées	Le tuyau de vidange se prolonge dans le tuyau rigide de rejet à l'égout au-delà de 4,5" (114 mm).	Vérifier que le tuyau de vidange est correctement installé. Utiliser la bride de retenue pour tuyau de vidange et la fixer solidement au tuyau rigide de rejet à l'égout ou à la cuve. Ne pas placer de ruban adhésif sur l'ouverture du système de vidange.
	Le tuyau de vidange est obstrué, ou l'extrémité du tuyau de vidange se trouve à plus de 96" (2,4 m) au-dessus du plancher.	Abaisser le tuyau de vidange si l'extrémité se trouve à plus de 96" (2,4 m) au-dessus du plancher. Retirer toute obstruction du tuyau de vidange. Voir "Exigences d'installation" dans les Instructions d'installation.
	Grille ou bas de nylon situé au bout du tuyau de vidange.	Retirer la grille ou le bas de nylon du tuyau de vidange.
	Le tuyau de vidange est trop serré dans le tuyau rigide de rejet à l'égout, ou est fixé au tuyau rigide de rejet à l'égout avec du ruban adhésif.	Le tuyau de vidange doit être lâche mais bien fixé. Ne pas sceller le tuyau de vidange avec du ruban adhésif. Le tuyau a besoin d'une ouverture pour l'air. Voir "Immobilisation du tuyau de vidange" dans les Instructions d'installation.
	Utiliser des programmes comportant une vitesse d'essorage inférieure.	Les programmes avec vitesses d'essorage réduites éliminent moins d'eau que les programmes qui comportent des vitesses d'essorage supérieures. Utiliser la vitesse d'essorage/ le programme recommandé approprié pour le vêtement.
	La laveuse n'a pas été chargée tel que recommandé.	Des vêtements tassés ou une charge déséquilibrée empêchent la laveuse d'essorer correctement, ce qui laisse la charge plus mouillée qu'elle ne devrait l'être. Voir "Guide de programmes" pour consulter le volume de charge recommandé pour chaque programme.
	La charge est peut-être déséquilibrée.	Éviter de laver un article seul. Compenser le poids d'un article seul tel qu'un tapis ou une veste en jeans par quelques articles supplémentaires pour équilibrer le tout.
	Détergent HE non utilisé ou utilisation excessive de détergent HE.	Utiliser uniquement un détergent HE. Un excès de mousse causé par l'utilisation d'un détergent ordinaire ou d'un surplus de détergent peut ralentir ou arrêter la vidange ou l'essorage. Toujours mesurer le détergent et suivre les instructions du fabricant en fonction de la charge. Pour éliminer tout excès de mousse, sélectionner DRAIN & SPIN with Extra Rinse (vidange et essorage avec rinçage supplémentaire). Ne pas ajouter de détergent.
	Des petits articles sont peut-être coincés dans la pompe ou entre le tambour et la partie externe de la cuve de la laveuse.	Inspecter le tambour pour vérifier qu'aucun article ne dépasse par les trous du tambour. Vider les poches et utiliser des sacs à linge pour laver les petits articles.
Porte verrouillée à la fin du programme de lavage	Il reste de l'eau dans la laveuse après le programme.	Sélectionner DRAIN & SPIN (vidange et essorage) pour évacuer toute eau restée dans la laveuse. La porte de la laveuse se déverrouillera à la fin de la vidange.
	L'option FanFresh® est activée.	Lorsque cette option est activée, le ventilateur fonctionne et la charge est culbutée de façon périodique pendant un maximum de 12 heures. La porte est verrouillée durant cette période. Pour annuler l'option FanFresh® et déverrouiller la porte en appuyant sur POWER (mise sous tension).
La porte ne se déverrouille pas	La porte se verrouille une fois que le programme a démarré.	Si le témoin lumineux "Add Garment" (ajouter un vêtement) est allumé, appuyer une fois sur START (mise en marche). La porte se déverrouille.

Dépannage

Essayer d'abord les solutions suggérées ici ou consulter le site Web www.whirlpool.com/product_help –
 Au Canada www.whirlpool.ca pour obtenir de l'aide et pour éviter une intervention de réparation.

Si les phénomènes suivants se produisent	Causes possibles	Solution
La laveuse ne fonctionne pas comme prévu (suite)		
Températures de lavage ou de rinçage incorrectes	Vérifier que l'alimentation en eau est correcte.	Assurez-vous que les tuyaux d'arrivée d'eau chaude et froide n'ont pas été inversés.
		Les deux tuyaux doivent être raccordés à la fois à la laveuse et au robinet, et la valve d'arrivée doit recevoir à la fois de l'eau chaude et de l'eau froide.
		Vérifier que les tamis des valves d'arrivée ne sont pas obstrués.
		Éliminer toute déformation des tuyaux.
	Lavage de plusieurs charges.	Votre réservoir d'eau chaude n'a peut-être pas suffisamment d'eau chaude à fournir pour le nombre de lavages à l'eau chaude ou tiède requis. Ceci est normal.
L'option ou le réglage souhaité ne s'allume pas	Pour une performance optimale, tous les réglages ne sont pas disponibles sur tous les programmes et certaines options ne peuvent pas être combinées.	Consulter le "Guide de programmes" pour connaître les réglages et options possibles pour chaque programme.
Charge non rincée	Vérifier que l'alimentation en eau est correcte.	Assurez-vous que les tuyaux d'arrivée d'eau chaude et froide n'ont pas été inversés.
		Les deux tuyaux doivent être fixés et l'eau doit pénétrer dans la valve d'arrivée.
		Les robinets d'eau chaude et d'eau froide doivent être ouverts tous les deux.
		Les tamis des valves d'arrivée d'eau de la laveuse sont peut-être obstrués.
		Éliminer toute déformation du tuyau d'arrivée.
	Détergent HE non utilisé ou utilisation excessive de détergent HE.	La mousse produite par un détergent ordinaire peut empêcher la laveuse de fonctionner correctement.
	Utiliser uniquement un détergent HE. Toujours mesurer la quantité de détergent et suivre les instructions du fabricant en fonction de la taille et du niveau de saleté de la charge.	
	La laveuse n'a pas été chargée tel que recommandé.	Éviter de tasser le linge dans la laveuse. La laveuse ne rincera pas bien si les vêtements sont tassés. Charger la laveuse uniquement avec des articles secs. Voir "Guide de programmes" pour consulter le volume de charge recommandé pour chaque programme.
Utiliser le programme conçu pour les tissus à laver.		
Si l'on souhaite ajouter des vêtements une fois que la laveuse a démarré, n'en rajouter qu'un ou deux.		
La charge est peut-être déséquilibrée.	En cas de déséquilibre de la charge, un processus de lavage est lancé pour répartir à nouveau la charge. Ceci peut rallonger le programme. Éviter de laver un article seul. Compenser le poids d'un article seul tel qu'un tapis ou une veste en jeans par quelques articles supplémentaires pour équilibrer le tout.	

Dépannage

Essayer d'abord les solutions suggérées ici ou consulter le site Web www.whirlpool.com/product_help –
Au Canada www.whirlpool.ca pour obtenir de l'aide et pour éviter une intervention de réparation.

Si les phénomènes suivants se produisent	Causes possibles	Solution
La laveuse ne fonctionne pas comme prévu (suite)		
La charge est froissée, entortillée ou enchevêtrée	La laveuse n'a pas été chargée tel que recommandé.	Ajouter les vêtements sans les tasser. Les articles doivent pouvoir se déplacer librement pour réduire le froissement et l'emmêlement. Voir "Guide de programmes" pour consulter le volume de charge recommandé pour chaque programme. Réduire l'emmêlement en ajoutant plusieurs types d'articles dans la charge. Utiliser le programme recommandé correspondant aux types de vêtements à laver.
	Action de lavage trop long pour la charge.	Sélectionner un niveau de saleté plus bas. Noter que les articles ne seront pas nettoyés aussi profondément que lors de la sélection d'un niveau de saleté plus élevé.
	Vitesse d'essorage trop rapide pour la charge.	Sélectionner une vitesse d'essorage plus basse. Noter que les articles pourront être plus humides que lors de la sélection d'une vitesse d'essorage plus rapide.
	Les vêtements n'ont pas été retirés rapidement.	Décharger la laveuse dès qu'elle s'arrête ou utiliser l'option FanFresh® si l'on n'est pas en mesure de décharger la laveuse dès la fin du programme.
	Le programme choisi ne correspond pas au programme qui doit être utilisé pour la charge de lavage.	Utiliser le programme Delicates (articles délicats) ou un autre programme avec basse vitesse d'essorage pour réduire le froissement.
	L'eau de lavage n'est pas suffisamment chaude pour réduire le froissement.	Si c'est sans danger pour la charge, utiliser une eau de lavage tiède ou chaude.
	Ne nettoie pas, ne détache pas	La laveuse n'a pas été chargée tel que recommandé.
Détergent HE non utilisé ou utilisation excessive de détergent HE.		Utiliser uniquement un détergent HE. Toujours mesurer la quantité de détergent et suivre les instructions du fabricant en fonction de la taille et du niveau de saleté de la charge.
Eau dure ou niveau élevé de fer (rouille) dans l'eau.		Il faut peut-être installer un adoucisseur d'eau ou un filtre à fer.
Une boule distributrice d'assouplissant pour tissu a été utilisée.		Les boules distributrices ne fonctionnent pas correctement avec cette laveuse. Verser un assouplissant pour tissu liquide dans le compartiment d'assouplissant pour tissu.
Du détergent en poudre a été utilisé pour le programme à vitesse basse.		Essayer d'utiliser du détergent en liquide.
Programme utilisé incorrect par rapport au type de tissu.		Utiliser une option de programme de niveau de saleté plus élevée et une température de lavage plus chaude pour améliorer le nettoyage.
		Si l'on utilise un programme Quick Wash (lavage rapide), ne laver que quelques articles.
	Utiliser le programme Whites (blancs) et Heavy Duty (service intense) pour un nettoyage puissant. Ajouter un rinçage supplémentaire pour les charges très sales.	

Dépannage

Essayer d'abord les solutions suggérées ici ou consulter le site Web www.whirlpool.com/product_help –
Au Canada www.whirlpool.ca pour obtenir de l'aide et pour éviter une intervention de réparation.

Si les phénomènes suivants se produisent	Causes possibles	Solution
La laveuse ne fonctionne pas comme prévu (suite)		
Ne nettoie pas, ne détache pas (suite)	Les distributeurs ne sont pas utilisés.	Utiliser les distributeurs pour éviter que l'agent de blanchiment au chlore ou l'assouplissant pour tissu ne tachent les vêtements. Remplir les distributeurs avant de démarrer un programme. Éviter de les remplir excessivement. Ne pas verser de produits autres que ceux spécifiés directement sur la charge.
	La cartouche du distributeur est vide.	Remplir la cartouche du distributeur jusqu'à la ligne "MAX" avec du détergent liquide HE.
	Les couleurs similaires ne sont pas lavées ensemble.	Laver ensemble les couleurs semblables et les retirer rapidement une fois le programme terminé pour éviter tout transfert de teinture.
	Quantité de détergent utilisée insuffisante ou eau dure.	Utiliser plus de détergent pour laver la saleté intense à l'eau froide ou dure.
		Appuyer sur WATER HARDNESS (dureté de l'eau) pour changer la dureté de l'eau à "hard" (dure).
	Odeurs	L'entretien mensuel n'est pas effectué tel que recommandé.
Détergent HE non utilisé ou utilisation excessive de détergent HE.		Utiliser uniquement un détergent HE. Veiller à mesurer correctement. Toujours suivre les directives du fabricant. Voir la section "Nettoyage de la laveuse".
La porte n'est pas restée ouverte après utilisation.		Cette laveuse dispose d'une fermeture étanche pour éviter les fuites d'eau. Pour éviter la formation d'odeurs, laisser la porte ouverte afin de permettre à la laveuse de sécher entre deux utilisations.
Dommages aux tissus		Des objets pointus se trouvaient dans les poches au moment du programme de lavage.
	Les cordons et les ceintures se sont peut-être emmêlés.	Attacher tous les cordons et les ceintures avant de démarrer le lavage de la charge.
	Les articles étaient peut-être endommagés avant le lavage.	Raccommoder les déchirures et repriser les fils cassés des coutures avant le lavage.
	Les tissus peuvent subir des dommages si l'on tasse le linge dans la laveuse.	Éviter de tasser le linge dans la laveuse. Charger la laveuse uniquement avec des articles secs.
		Utiliser le programme conçu pour les tissus à laver. Si l'on souhaite ajouter des vêtements une fois que la laveuse a démarré, n'en rajouter qu'un ou deux.
	Les tissus peuvent être endommagés si la porte de la laveuse est fermée sur un article, le coinçant entre le hublot de la porte et le joint en caoutchouc.	Ne pas trop remplir la laveuse.
Pousser entièrement la charge à laver dans la laveuse.		

Dépannage

Essayer d'abord les solutions suggérées ici ou consulter le site Web www.whirlpool.com/product_help –
Au Canada www.whirlpool.ca pour obtenir de l'aide et pour éviter une intervention de réparation.

Si les phénomènes suivants se produisent	Causes possibles	Solution
La laveuse ne fonctionne pas comme prévu (suite)		
Dommages aux tissus (suite)	Vous n'avez peut-être pas ajouté l'agent de blanchiment liquide au chlore correctement.	Ne pas verser d'agent de blanchiment liquide au chlore directement sur la charge. Essayer tous les renversements d'agent de blanchiment.
		Un agent de blanchiment non dilué endommagera les tissus. Ne pas utiliser plus que la quantité recommandée par le fabricant.
Blancs grisâtres, couleurs défraîchies	La charge n'a pas été correctement triée.	Un transfert de teinture peut se produire lors du mélange d'articles blancs et de couleur dans une même charge. Séparer les articles de teinte foncée des articles blancs ou clairs.
	Les températures de lavage sont trop basses.	Utiliser les lavages à l'eau tiède ou chaude si celle-ci est sans danger pour la charge. S'assurer que le système d'eau chaude est adéquat pour fournir un lavage à l'eau chaude.
	Quantité de détergent utilisée insuffisante ou eau dure.	Utiliser plus de détergent pour laver la saleté intense à l'eau froide ou dure. Appuyer sur WATER HARDNESS (dureté de l'eau) pour changer la dureté de l'eau à "hard" (dure).
Fonctionnement incorrect du distributeur	Distributeurs obstrués ou produits de lessive distribués trop tôt.	Ne pas remplir excessivement le distributeur. Un remplissage excessif peut entraîner une distribution immédiate.
		Remplir les distributeurs avant de démarrer un programme.
		Pour les domiciles présentant une basse pression d'eau, il est possible qu'il reste de la poudre dans le distributeur. Pour éviter cela, sélectionner une température de lavage plus chaude (si possible – en fonction de la charge).
	L'agent de blanchiment liquide au chlore n'a pas été versé dans le compartiment d'agent de blanchiment.	Utiliser seulement de l'agent de blanchiment liquide au chlore dans le compartiment d'agent de blanchiment.
Il reste de l'eau dans le distributeur une fois le programme terminé.	Il est normal qu'il reste de petites quantités d'eau dans le distributeur une fois le programme terminé.	
Le sachet de lessive à dose unique ne se dissout pas	Sachet de lessive mal utilisé.	Veiller à placer le sachet de lessive dans le tambour de la laveuse avant d'ajouter les vêtements. Ne pas placer de sachet dans le distributeur. Suivre les instructions du fabricant pour éviter d'endommager les vêtements.

Dépannage

Essayer d'abord les solutions suggérées ici ou consulter le site Web www.whirlpool.com/product_help –
Au Canada www.whirlpool.ca pour obtenir de l'aide et pour éviter une intervention de réparation.

La laveuse ne fonctionne pas comme prévu (suite)

La durée du programme varie ou la durée du programme est trop longue	Fonctionnement normal de la laveuse.	Les durées de programme varient automatiquement en fonction de la pression et de la température de l'eau, du détergent et de la charge de vêtements. Les options sélectionnées affectent aussi les durées de programme.
	Il y a trop de mousse dans la laveuse.	Lorsqu'un excès de mousse est détecté, une procédure spéciale contre la mousse se met en marche automatiquement pour éliminer l'excès de mousse et assurer un rinçage efficace pour les vêtements. Cette procédure prolonge la durée initiale du programme.
	La charge est peut-être déséquilibrée.	En cas de déséquilibre de la charge, un processus de lavage sera lancé pour redistribuer la charge. Ceci prolonge la durée du programme. Éviter de laver un article seul. Compenser le poids d'un article seul tel qu'un tapis ou une veste en jeans par quelques articles supplémentaires pour équilibrer le tout.
	Programme utilisé incorrect par rapport au type de tissu.	Le programme Quick Wash (lavage rapide) est conçu pour les charges plus petites (2 à 4 articles) de vêtements légèrement sales. Si des charges plus importantes sont lavées avec ce programme, la durée de lavage augmente. Si l'on utilise les programmes Quick Wash (lavage rapide) ou Delicates (articles délicats), il faut laver uniquement des petites charges. Ceci garantit un lavage en douceur des vêtements sans augmenter les durées de programme.
Les commandes ne répondent pas	Le verrouillage des commandes est activé.	Pour désactiver le verrouillage des commandes, maintenir CONTROL LOCK (verrouillage des commandes) enfoncé pendant 3 secondes. Pour chaque seconde où CONTROL LOCK (verrouillage des commandes) est maintenu enfoncé, le compte à rebours de l'afficheur égrène une seconde : Les nombres "3", "2" puis "1" s'affichent successivement.
Il y a du détergent liquide sur le hublot de la porte avant le début du programme	Le détergent coule librement du distributeur de dose unique.	Ne pas ajouter de détergent liquide avant que les vêtements soient mis dans la laveuse.

GARANTIE DES APPAREILS DE BUANDERIE WHIRLPOOL®

ATTACHEZ ICI VOTRE REÇU DE VENTE. UNE PREUVE D'ACHAT EST OBLIGATOIRE POUR OBTENIR L'APPLICATION DE LA GARANTIE.

Lorsque vous appelez le centre d'eXpérience de la clientèle, veuillez garder à disposition les renseignements suivants :

- Nom, adresse et numéro de téléphone
- Numéros de modèle et de série
- Une description claire et détaillée du problème rencontré
- Une preuve d'achat incluant le nom et l'adresse du marchand ou du détaillant

SI VOUS AVEZ BESOIN DE SERVICE :

1. Avant de nous contacter pour obtenir un dépannage, veuillez déterminer si des réparations sont nécessaires pour votre produit. Certains problèmes peuvent être résolus sans intervention de dépannage. Prenez quelques minutes pour parcourir la section Dépannage ou Résolution des problèmes du guide d'utilisation et d'entretien, scannez le code QR ci-contre pour accéder à des ressources supplémentaires, ou rendez-vous sur le site https://www.whirlpool.ca/product_help.



https://www.whirlpool.ca/product_help

2. Tout service sous garantie doit être effectué exclusivement par nos fournisseurs de dépannage autorisés Whirlpool. Aux É.-U. et au Canada, dirigez toutes vos demandes de service sous garantie au :

Centre d'eXpérience de la clientèle Whirlpool

Aux É.-U., composer le 1-800-253-1301. Au Canada, composer le 1-800-807-6777.

Si vous résidez à l'extérieur du Canada et des 50 États des États-Unis, contactez votre marchand Whirlpool autorisé pour déterminer si une autre garantie s'applique.

GARANTIE LIMITÉE D'UN AN

CE QUI EST COUVERT

Pendant un an à compter de la date d'achat, lorsque ce gros appareil ménager est installé, utilisé et entretenu conformément aux instructions jointes à ou fournies avec le produit, Whirlpool Corporation ou Whirlpool Canada LP (ci-après désignées "Whirlpool") décidera à sa seule discrétion de remplacer le produit ou de couvrir le coût des pièces de remplacement spécifiées par l'usine et de la main-d'œuvre nécessaires pour corriger les vices de matériaux ou de fabrication qui existaient déjà lorsque ce gros appareil ménager a été acheté. S'il est remplacé, votre appareil restera sous garantie pour la durée restant à courir de la période de garantie sur le produit d'origine.

LE SEUL ET EXCLUSIF RECOURS DU CLIENT DANS LE CADRE DE LA PRÉSENTE GARANTIE LIMITÉE CONSISTE EN LA RÉPARATION PRÉVUE CI-DESSUS. Le service doit être fourni par une compagnie de service désignée par Whirlpool. Cette garantie limitée est valide uniquement aux États-Unis ou au Canada et s'applique exclusivement lorsque le gros appareil ménager est utilisé dans le pays où il a été acheté. La présente garantie limitée entre en vigueur à compter de la date d'achat initial par le consommateur. Une preuve de la date d'achat d'origine est exigée pour obtenir un service dans le cadre de la présente garantie limitée.

CE QUI N'EST PAS COUVERT

1. Usage commercial, non résidentiel ou par plusieurs familles, ou non-respect des instructions de l'utilisateur, de l'opérateur ou des instructions d'installation.
2. Visite d'instruction à domicile pour montrer à l'utilisateur comment utiliser l'appareil.
3. Visites de service pour rectifier une installation ou un entretien fautifs du produit, une installation non conforme aux codes d'électricité ou de plomberie, ou la rectification de l'installation électrique ou de la plomberie du domicile (ex : câblage électrique, fusibles ou tuyaux d'arrivée d'eau du domicile).
4. Pièces consommables (ex : ampoules, batteries, filtres à air ou à eau, solutions de conservation, etc.).
5. Défauts ou dommage résultant de l'utilisation de pièces ou accessoires Whirlpool non authentiques.
6. Conversion de votre produit du gaz naturel ou du gaz de pétrole liquéfié, ou inversion des portes de l'appareil.
7. Dommages causés par : accident, mésusage, abus, incendie, inondations, catastrophe naturelle ou l'utilisation de produits non approuvés par Whirlpool.
8. Réparations aux pièces ou systèmes dans le but de rectifier un dommage ou des défauts résultant d'une réparation, d'une altération ou d'une modification non autorisée de l'appareil.
9. Défauts d'apparence, notamment les éraflures, traces de choc, fissures ou tout autre dommage subi par le fini de l'appareil ménager, à moins que ces dommages ne résultent de vices de matériaux ou de fabrication et ne soient signalés à Whirlpool dans les 30 jours.
10. Décoloration, rouille ou oxydation des surfaces résultant d'environnements caustiques ou corrosifs incluant des concentrations élevées de sel, un haut degré d'humidité ou une exposition à des produits chimiques (exemples non exhaustifs).
11. Enlèvement ou livraison. Ce produit est conçu pour être réparé à l'intérieur du domicile.
12. Frais de déplacement et de transport pour le dépannage/la réparation dans une région éloignée où une compagnie de service Whirlpool autorisée n'est pas disponible.
13. Retrait ou réinstallation d'appareils inaccessibles ou de dispositifs préinstallés (ex : garnitures, panneaux décoratifs, plancher, meubles, îlots de cuisine, plans de travail, panneaux de gypse, etc.) qui entravent le dépannage, le retrait ou le remplacement du produit.
14. Service et pièces pour des appareils dont les numéros de série et de modèle originaux ont été enlevés, modifiés ou ne peuvent pas être facilement identifiés.

Le coût d'une réparation ou d'un remplacement dans le cadre de ces circonstances exclues est à la charge du client.

CLAUSE D'EXONÉRATION DE RESPONSABILITÉ AU TITRE DES GARANTIES IMPLICITES

LES GARANTIES IMPLICITES, Y COMPRIS LES GARANTIES APPLICABLES DE QUALITÉ MARCHANDE OU D'APTITUDE À UN USAGE PARTICULIER, SONT LIMITÉES À UN AN OU À LA PLUS COURTE PÉRIODE AUTORISÉE PAR LA LOI. Certains États et certaines provinces ne permettent pas de limitation sur la durée de garanties implicites de qualité marchande ou d'aptitude à un usage particulier, de sorte que la limitation ci-dessus peut ne pas être applicable dans votre cas. Cette garantie vous confère des droits juridiques spécifiques, et vous pouvez également jouir d'autres droits qui peuvent varier d'une juridiction à l'autre.

EXONÉRATION DE RESPONSABILITÉ EN DEHORS DE LA GARANTIE

Whirlpool ne prend aucun engagement quant à la qualité ou la durabilité de l'appareil, ou en cas de dépannage ou de réparation nécessaire sur ce gros appareil ménager, autre que les engagements énoncés dans la présente garantie. Si vous souhaitez une garantie prolongée ou plus complète que la garantie limitée fournie avec ce gros appareil ménager, renseignez-vous auprès de Whirlpool ou de votre détaillant à propos de l'achat d'une extension de garantie.

LIMITATION DES RECOURS; EXCLUSION DES DOMMAGES FORTUITS OU INDIRECTS

LE SEUL ET EXCLUSIF RECOURS DU CLIENT DANS LE CADRE DE LA PRÉSENTE GARANTIE LIMITÉE CONSISTE EN LA RÉPARATION PRÉVUE CI-DESSUS. WHIRLPOOL N'ASSUME AUCUNE RESPONSABILITÉ POUR LES DOMMAGES FORTUITS OU INDIRECTS. Certains États et certaines provinces ne permettent pas l'exclusion ou la limitation des dommages fortuits ou indirects de sorte que ces limitations et exclusions peuvent ne pas être applicables dans votre cas. Cette garantie vous confère des droits juridiques spécifiques, et vous pouvez également jouir d'autres droits qui peuvent varier d'une juridiction à l'autre.

11/14

Notes

Notes

Assistance or Service

Before calling for assistance or service, please check "Troubleshooting" or visit www.whirlpool.com/help. It may save you the cost of a service call. If you still need help, follow the instructions below.

When calling, please know the purchase date and the complete model and serial number of your appliance. This information will help us to better respond to your request.

If you need replacement parts or to order accessories

We recommend that you use only FSP® Factory Specified Parts. These parts will fit right and work right because they are made with the same precision used to build every new WHIRLPOOL® appliance.

To locate FSP® replacement parts or accessories go to www.whirlpoolpartsonline.com.

Questions? Call us toll free at 1-866-698-2538 or in Canada call 1-800-688-2002.

Our consultants provide assistance with

In the U.S.A.

- Features and specifications on our full line of appliances.
- Installation information.
- Specialized customer assistance (Spanish speaking, hearing impaired, limited vision, etc.).

In the U.S.A. and Canada

- Use and maintenance procedures.
- Accessory and repair parts sales.
- Referrals to local dealers, repair parts distributors, and service companies. Whirlpool designated service technicians are trained to fulfill the product warranty and provide after-warranty service, anywhere in the United States and Canada.

You can write with any questions or concerns at:

Whirlpool Brand Appliances
Customer eXperience Center
553 Benson Road
Benton Harbor, MI 49022-2692
1-866-698-2538

Whirlpool Brand Appliances
Customer eXperience Centre
Unit 200-6750 Century Ave
Mississauga, Ontario L5N 0B7
1-800-688-2002

Please include a daytime phone number in your correspondence.

Assistance ou Service

Avant de faire un appel pour obtenir de l'assistance ou un entretien, vérifier la section "Dépannage" ou consulter www.whirlpool.com/help. Cette vérification peut vous faire économiser le coût d'une visite de réparation.

Si vous avez encore besoin d'aide, suivre les instructions ci-dessous.

Lors d'un appel, garder à portée de main la date d'achat et les numéros de modèle et de série de votre appareil. Ces renseignements nous aideront à mieux répondre à votre demande.

Pour commander des pièces de rechange ou des accessoires

Pour commander des pièces de rechange, nous vous recommandons d'utiliser seulement des pièces spécifiées par l'usine. Ces pièces conviendront et fonctionneront bien parce qu'elles sont fabriquées selon les mêmes spécifications précises utilisées pour construire chaque nouvel appareil WHIRLPOOL®.

Pour trouver des pièces de rechange FSP® ou des accessoires, visiter le www.whirlpool.ca.

Des questions? Composer le numéro sans frais 1-800-688-2002.

Nos consultants fournissent l'assistance pour :

- Procédés d'utilisation et d'entretien.
- Vente d'accessoires et de pièces de rechange.
- Références aux concessionnaires, compagnies de service de réparation et distributeurs de pièces de rechange locaux. Les techniciens de service désignés par Whirlpool sont formés pour remplir la garantie des produits et fournir un service après la garantie, partout au Canada.

Pour plus d'assistance

Vous pouvez nous soumettre toute question ou tout problème en écrivant à l'adresse ci-dessous :

Whirlpool Brand Appliances
Centre pour l'eXpérience de la clientèle
Unit 200-6750 Century Ave
Mississauga, Ontario L5N 0B7
1-800-688-2002

Dans votre correspondance, veuillez indiquer un numéro de téléphone où nous pouvons vous joindre dans la journée.