

# Washer Installation Instructions

## Instructions d'installation de la laveuse

Para una versión de estas instrucciones en español, visite [www.whirlpool.com](http://www.whirlpool.com)

### Table of Contents

WASHER SAFETY .....	1
INSTALLATION REQUIREMENTS.....	2
Tools and Parts.....	2
Location Requirements .....	3
Drain System .....	4
Electrical Requirements .....	4
INSTALLATION INSTRUCTIONS.....	5
Remove Shipping Materials .....	5
Connect Drain Hose.....	5
Connect Inlet Hoses.....	6
Level Washer .....	7
COMPLETE INSTALLATION CHECKLIST .....	9

### Table des matières

SÉCURITÉ DE LA LAVEUSE .....	10
EXIGENCES D'INSTALLATION .....	11
Outillage et pièces .....	11
Exigences d'emplacement .....	12
Système de vidange .....	13
Spécifications électriques.....	13
INSTRUCTIONS D'INSTALLATION .....	14
Retrait de la base d'expédition et de l'emballage en anneau.....	14
Raccordement du tuyau d'évacuation .....	14
Raccordement des tuyaux de vidange.....	15
Mise à niveau de la laveuse.....	17
LISTE DE VÉRIFICATION POUR INSTALLATION TERMINÉE.....	19

### INSTALLATION NOTES

Date of purchase: \_\_\_\_\_  
 Date of installation: \_\_\_\_\_  
 Installer: \_\_\_\_\_  
 Model number: \_\_\_\_\_  
 Serial number: \_\_\_\_\_

### NOTES CONCERNANT L'INSTALLATION

Date d'achat : \_\_\_\_\_  
 Date d'installation : \_\_\_\_\_  
 Installateur : \_\_\_\_\_  
 Numéro du modèle : \_\_\_\_\_  
 Numéro de série : \_\_\_\_\_

## WASHER SAFETY

### Your safety and the safety of others are very important.

We have provided many important safety messages in this manual and on your appliance. Always read and obey all safety messages.



This is the safety alert symbol.

This symbol alerts you to potential hazards that can kill or hurt you and others.

All safety messages will follow the safety alert symbol and either the word "DANGER" or "WARNING."

These words mean:

**⚠ DANGER**

You can be killed or seriously injured if you don't immediately follow instructions.

**⚠ WARNING**

You can be killed or seriously injured if you don't follow instructions.

All safety messages will tell you what the potential hazard is, tell you how to reduce the chance of injury, and tell you what can happen if the instructions are not followed.

## IMPORTANT SAFETY INSTRUCTIONS

**WARNING:** To reduce the risk of fire, electric shock, or injury to persons when using the washer, follow basic precautions, including the following:

- Read all instructions before using the washer.
- Do not wash articles that have been previously cleaned in, washed in, soaked in, or spotted with gasoline, dry-cleaning solvents, other flammable, or explosive substances as they give off vapors that could ignite or explode.
- Do not add gasoline, dry-cleaning solvents, or other flammable, or explosive substances to the wash water. These substances give off vapors that could ignite or explode.
- Under certain conditions, hydrogen gas may be produced in a hot water system that has not been used for 2 weeks or more. **HYDROGEN GAS IS EXPLOSIVE.** If the hot water system has not been used for such a period, before using the washing machine, turn on all hot water faucets and let the water flow from each for several minutes. This will release any accumulated hydrogen gas. As the gas is flammable, do not smoke or use an open flame during this time.
- Do not allow children to play on or in the washer. Close supervision of children is necessary when the washer is used near children.
- Before the washer is removed from service or discarded, remove the door or lid.
- Do not reach into the washer if the drum, tub or agitator is moving.
- Do not install or store the washer where it will be exposed to the weather.
- Do not tamper with controls.
- Do not repair or replace any part of the washer or attempt any servicing unless specifically recommended in this manual or in published user-repair instructions that you understand and have the skills to carry out.
- See "Electrical Requirements" located in the installation instructions for grounding instructions.

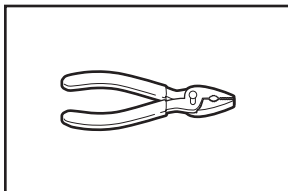
**SAVE THESE INSTRUCTIONS**

## INSTALLATION REQUIREMENTS

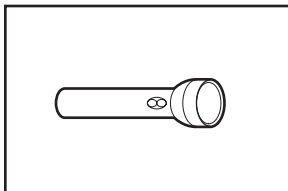
### TOOLS AND PARTS

Gather the required tools and parts before starting installation.

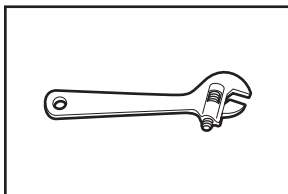
#### Tools needed:



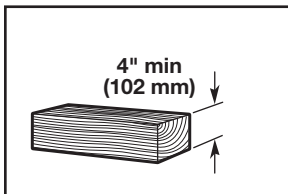
Pliers that open to 1<sup>9</sup>/<sub>16</sub>" (39.5 mm)



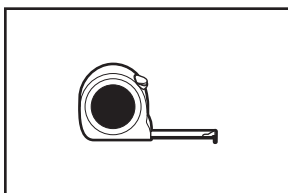
Flashlight (optional)



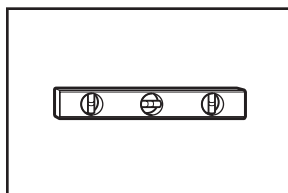
Adjustable or open end wrench 9/16" (14 mm)



Wood block

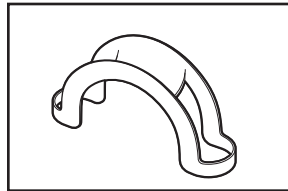


Tape measure or ruler

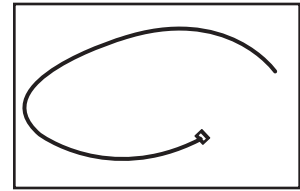


Level

#### Parts supplied (located in the washer basket):

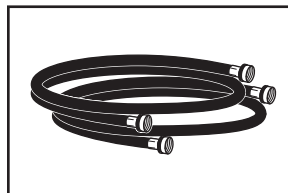


Drain hose form

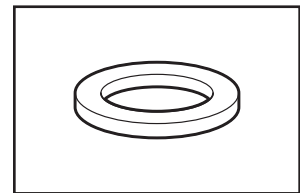


Cable Tie

#### Parts needed (Not supplied with washer):



Water inlet hoses (2)



Flat inlet hose washers (4)

To order, please refer to the phone number or website on the back page of your "Use and Care Guide."

- 8212656RP 10 ft. (3.0 m) Inlet hose, Black EPDM (2 pack)
- 8212641RP 5 ft. (1.5 m) Inlet hose, Black EPDM (2 pack)
- 8212646RP 4 ft. (1.2 m) Inlet hose, Black EPDM (2 pack)
- 8212545RP 5 ft. (1.5 m) Inlet hose, Red and Blue EPDM (2 pack)
- 8212487RP 5 ft. (1.5 m) Nylon braided inlet hose (2 pack)
- 8212638RP 6 ft. (1.8 m) Nylon braided inlet hose, space saving 90° elbow, hypro-blue steel couplings (2 pack)
- 8212637RP 6 ft. (1.8 m) Inlet hose, Black EPDM, space saving 90° elbow, hypro-blue steel couplings (2 pack)

**Alternate parts** (Not supplied with washer):

Your installation may require additional parts. To order, please refer to the phone number or website on the back page of your "Use and Care Guide."

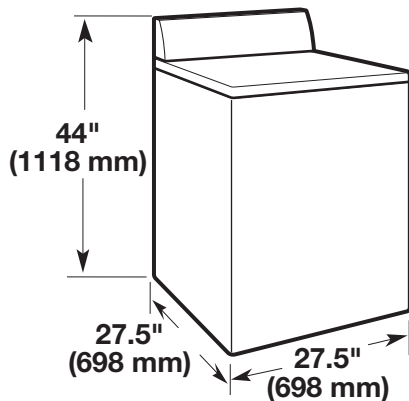
**If you have:**

**You will need:**

Laundry tub or standpipe taller than 96" (2.4 m)	Sump pump system (if not already available)
1" (25 mm) diameter standpipe	2" (50 mm) diameter to 1" (25 mm) diameter Standpipe Adapter Kit, Part Number 3363920 and Connector Kit, Part Number 285835
Overhead sewer	Standard 20 gal. (76 L) 39" (990 mm) tall drain tub or utility sink, sump pump, and connectors (available from local plumbing suppliers)
Floor drain	Siphon Break Kit, Part Number 285834 Extension Drain Hose, Part Number 285863 Connector Kit, Part Number 285835
Drain hose too short	Extension Drain Hose, Part Number 285863 Connector Kit, Part Number 285835
Lint clogged drain	Drain protector, Part Number 376031

**LOCATION REQUIREMENTS**

Select proper location for your washer to improve performance and minimize noise and possible "washer walk." Install your washer in a basement, laundry room, closet, or recessed area.



**You will need:**

- A water heater set to deliver 120°F (49°C) water to the washer.
- A grounded electrical outlet located within 4 ft. (1.2 m) of where the power cord is attached to the back of the washer. See "Electrical Requirements."
- Hot and cold water faucets located within 3 ft. (900 mm) of the hot and cold water fill valves, and water pressure of 20–100 psi (138–690 kPa) for best performance.
- Level floor with maximum slope of 1" (25 mm) under entire washer. Installing the washer on carpet is not recommended.
- A sturdy floor to support the washer weight (washer, water, and load) of 315 lbs (143 kg).

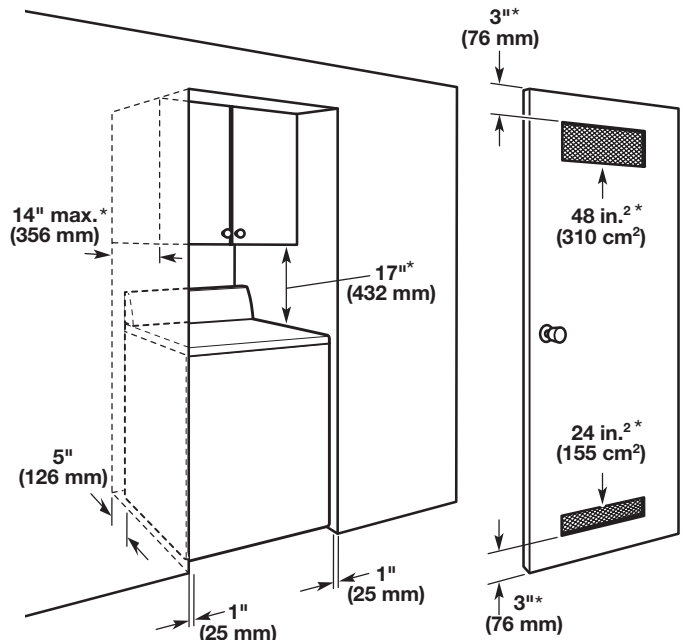
**IMPORTANT:** Do not operate, install, or store washer where it will be exposed to water, weather, or at temperatures below 32° F (0° C). Some water can remain in washer and can cause damage in low temperatures. See your "Use and Care Guide" for information on winterizing.

Proper installation is your responsibility.

**Spacing for recessed area or closet installation**

All dimensions show recommended spacing allowed, with tested spacing of 0" (0 mm) clearance on sides.

- Additional spacing should be considered for ease of installation and servicing.
- Additional clearances might be required for wall, door, and floor moldings.
- Additional spacing should be considered on all sides of the washer to reduce noise transfer.
- For closet installation, with a door, minimum ventilation openings in the top and bottom of the door are required. Louvered doors with equivalent ventilation openings are acceptable.
- Companion appliance spacing should also be considered.

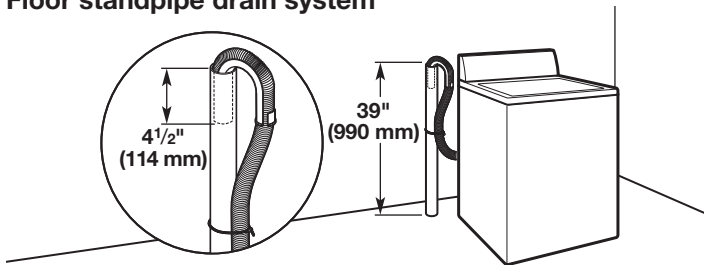


\* Required spacing

## DRAIN SYSTEM

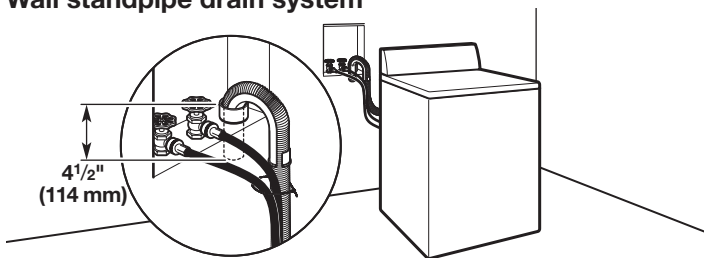
Drain system can be installed using a floor drain, wall standpipe, floor standpipe, or laundry tub. Select method you need.

### Floor standpipe drain system



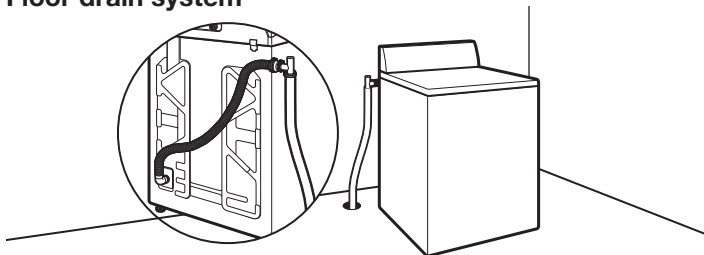
Minimum diameter for a standpipe drain: 2" (51 mm). Minimum carry-away capacity: 17 gal. (64 L) per minute. Top of standpipe must be at least 39" (990 mm) high; install no higher than 96" (2.44 m) from bottom of washer. If you must install higher than 96" (2.44 m), you will need a sump pump system.

### Wall standpipe drain system



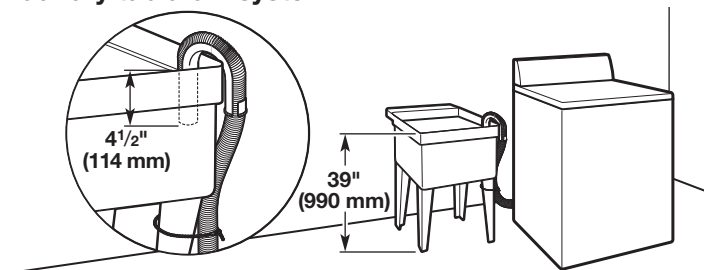
See requirements for floor standpipe drain system.

### Floor drain system



Floor drain system requires a Siphon Break Kit (Part Number 285834), 2 Connector Kits (Part Number 285835), and an Extension Drain Hose (Part Number 285863) that may be purchased separately. To order, please see toll-free phone numbers in your "Use and Care Guide." Minimum siphon break: 28" (710 mm) from bottom of washer. (Additional hoses may be needed.)

### Laundry tub drain system



Minimum capacity: 20 gal. (76 L). Top of laundry tub must be at least 39" (990 mm) above floor; install no higher than 96" (2.44 m) from bottom of washer.

**IMPORTANT:** To avoid siphoning, no more than 4 1/2" (114 mm) of drain hose should be inside standpipe or below the top of wash tub. Secure drain hose with cable tie.

## ELECTRICAL REQUIREMENTS

### ⚠ WARNING



#### Electrical Shock Hazard

**Plug into a grounded 3 prong outlet.**

**Do not remove ground prong.**

**Do not use an adapter.**

**Do not use an extension cord.**

**Failure to follow these instructions can result in death, fire, or electrical shock.**

- A 120 volt, 60 Hz., AC only, 15- or 20-amp, fused electrical supply is required. A time-delay fuse or circuit breaker on a separate circuit serving only this washer is recommended.
- This washer is equipped with a power supply cord having a 3-prong grounding plug.
- To minimize possible shock hazard, the cord must be plugged into a mating, 3-prong, grounding-type outlet, grounded in accordance with local codes and ordinances. If a mating outlet is not available, it is the personal responsibility and obligation of the customer to have the properly grounded outlet installed by a qualified electrician.
- If codes permit and a separate ground wire is used, it is recommended that a qualified electrician determine that the ground path is adequate.
- Do not ground to a gas pipe.
- Check with a qualified electrician if you are not sure the washer is properly grounded.
- Do not have a fuse in the neutral or ground circuit.

## GROUNDING INSTRUCTIONS

### For a grounded, cord-connected washer:

This washer must be grounded. In the event of a malfunction or breakdown, grounding will reduce the risk of electrical shock by providing a path of least resistance for electric current. This washer is equipped with a cord having an equipment-grounding conductor and a grounding plug. The plug must be plugged into an appropriate outlet that is properly installed and grounded in accordance with all local codes and ordinances.

**WARNING:** Improper connection of the equipment-grounding conductor can result in a risk of electric shock. Check with a qualified electrician or serviceman if you are in doubt as to whether the appliance is properly grounded.

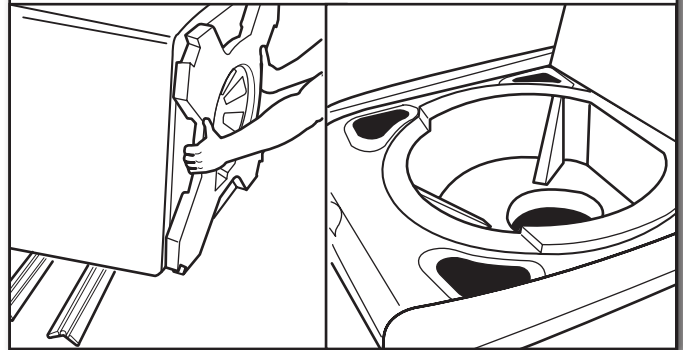
Do not modify the plug provided with the appliance – if it will not fit the outlet, have a proper outlet installed by a qualified electrician.

### For a permanently connected washer:

This washer must be connected to a grounded metal, permanent wiring system, or an equipment grounding conductor must be run with the circuit conductors and connected to the equipment-grounding terminal or lead on the appliance.

## REMOVE SHIPPING BASE AND PACKING RING

### 1. Remove shipping base and packing ring



Place cardboard supports from shipping carton on floor behind washer for support. Secure the lid with tape. Using two or more people, tip the washer onto its back and place on cardboard supports. Remove foam shipping base. Then, set washer back upright, and remove the tape from the lid so that you can open the lid and remove the foam packing ring from the washer tub.

**NOTE:** Keep foam packing ring in case you need to move the washer in the future.

## INSTALLATION INSTRUCTIONS

### **⚠ WARNING**

#### Excessive Weight Hazard

Use two or more people to move and install washer.

Failure to do so can result in back or other injury.

Before you start: remove shipping materials.

It is necessary to remove all shipping materials for proper operation and to avoid excessive noise from washer.

**NOTE:** To avoid floor damage during installation, set the washer onto cardboard before moving across the floor.

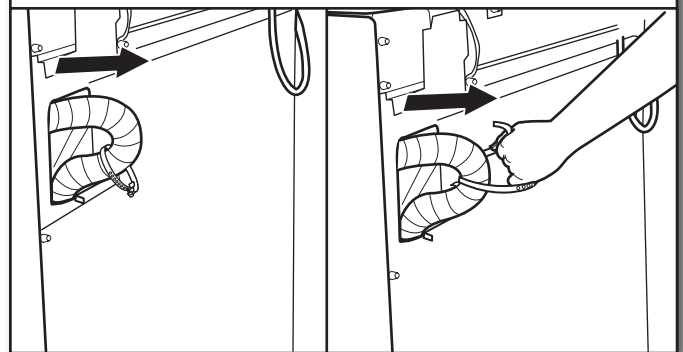
#### IMPORTANT:

- Be sure the foam shipping base has been removed from the bottom of the washer as directed in the “Remove Shipping Base and Packing Ring” section.
- If foam shipping base has not been removed, be sure lid is secured with tape before laying washer on its back.
- Removing the foam shipping base is necessary for proper operation.

## CONNECT DRAIN HOSE

**IMPORTANT:** Proper connection of the drain hose helps to avoid water leakage and damage to your floors. The drain hose is connected to your washer and is stored inside the washer cabinet.

### 1. Remove drain hose from washer cabinet

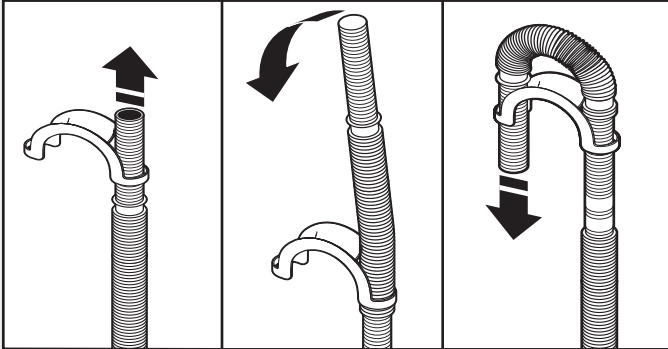


Gently pull hose out of back of washer cabinet from top until end emerges.

**IMPORTANT:** Do not force excess drain hose back into rear of washer.



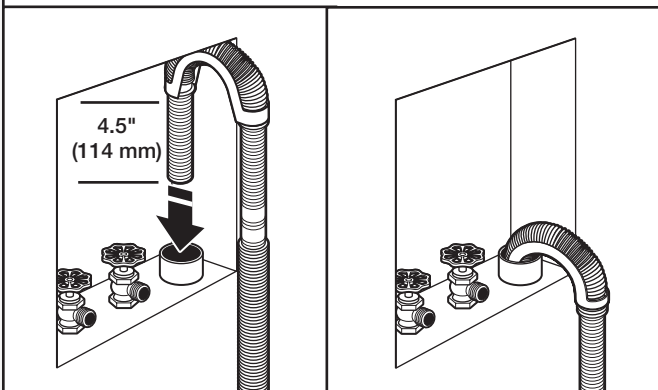
## 2. Connect drain hose form



For a laundry tub or standpipe drain, connect the drain hose form. For a floor drain, do not install drain hose form. You may need alternate parts with separate directions. See “Tools and Parts” to determine what you may need.

Feed hose into one end of form. Bend hose and feed through other side, anchoring form on smooth sections of hose. The hose must extend 4.5" (114 mm) beyond the form.

## 3. Place drain hose in standpipe



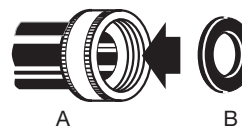
Place hose into standpipe (shown in picture) or over side of laundry tub.

**IMPORTANT:** To keep drain water from going back into the washer:

- Do not force excess drain hose into standpipe. Hose should be secure but loose enough to provide a gap for air.
- Do not lay excess hose on the bottom of the laundry tub.

## CONNECT INLET HOSES

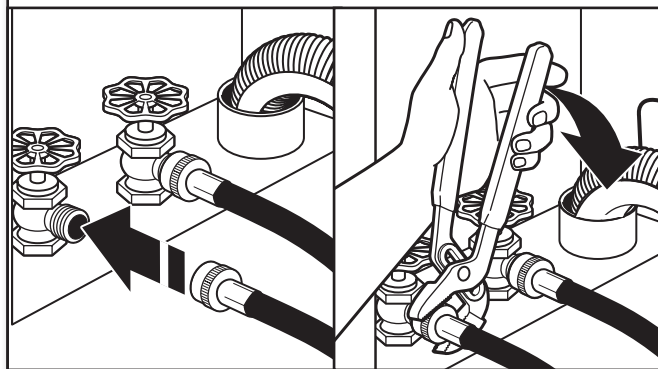
### 1. Insert new flat washers



A. Coupling  
B. Washer

**IMPORTANT:** To avoid leaks, check that your water inlet hoses have flat washers at both ends. Washer must be connected to water faucets with new inlet hoses with flat washers (not provided). Do not use old hoses. Do not use hoses without washers.

### 2. Connect inlet hoses to water faucets

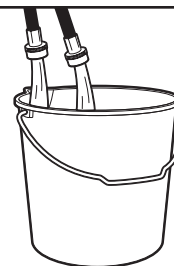


Make sure the washer basket is empty. Attach the hose labeled hot to hot water faucet. Screw on coupling by hand until it is seated on washer. Use pliers to tighten couplings an additional two-thirds turn. Repeat this step with the hose labeled cold for the cold water faucet. Both hoses must be connected for washer to work properly.

**IMPORTANT:** Do not overtighten or use tape or sealants on valve when attaching to faucets or washer. Damage can result.

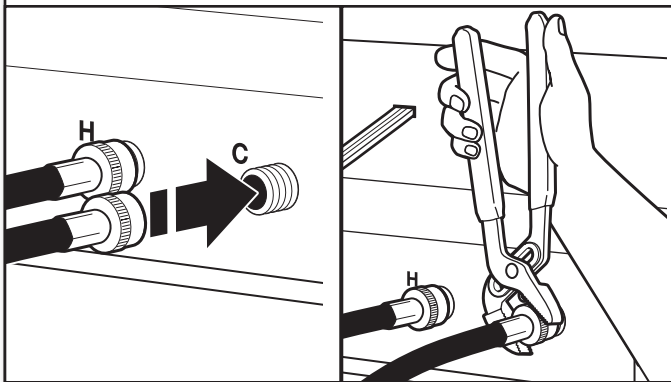
**HELPFUL TIP:** Make note of which hose is connected to hot water to help in attaching hoses to washer correctly.

### 3. Clear water lines



Run water for a few seconds through hoses into a laundry tub, drainpipe, or bucket to avoid clogs. Water should run until clear. Check the temperature of the water to make sure that the hot water hose is connected to the hot water faucet and the cold water hose is connected to the cold water faucet.

## 4. Connect inlet hoses to washer



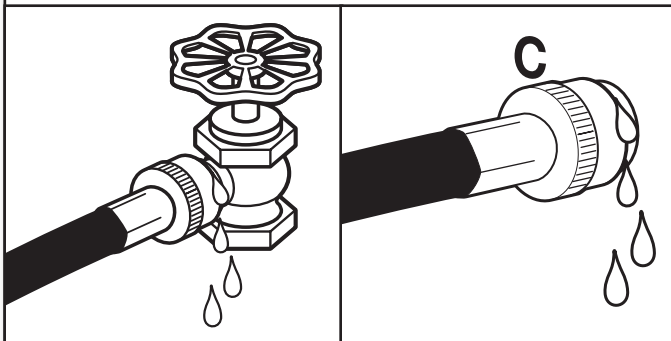
Attach hot water hose to hot water inlet valve. Screw coupling by hand until it is snug. Use pliers to tighten couplings an additional two-thirds turn. Repeat with cold water inlet valve. Both hoses must be connected for washer to work properly.

**IMPORTANT:** Do not overtighten or use tape or sealants on valve when attaching to faucets or washer. Damage can result.

**NOTE:** To reduce risk of hose failure, replace the hoses every 5 years. Record hose installation or replacement dates for future reference.

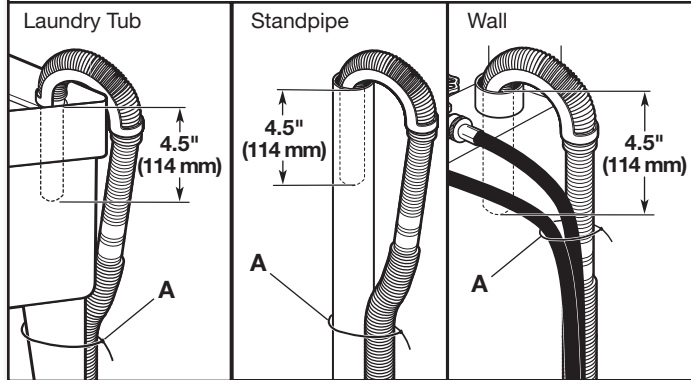
- Periodically inspect and replace hoses if bulges, kinks, cuts, wear, or leaks are found.

## 5. Check for leaks



Turn on water faucets to check for leaks from faucet and at washer connection. A small amount of water may enter washer. You will drain this in a later step.

## 6. Secure drain hose

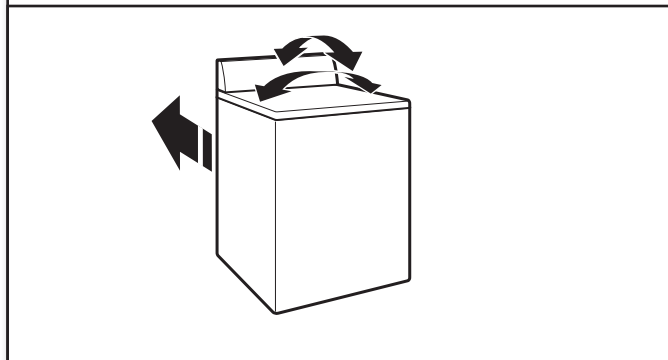


Secure drain hose to laundry tub leg, drain standpipe, or inlet hoses for wall standpipe with cable tie (A). This will help reduce the chance of drain water splashing on the floor.

## LEVEL WASHER

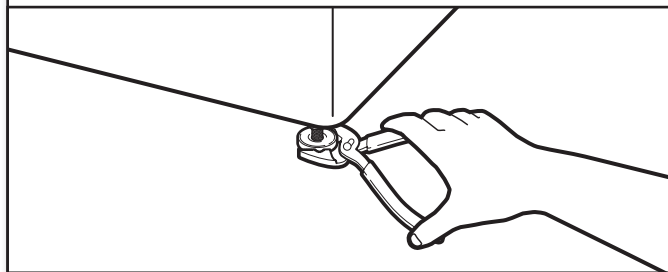
**IMPORTANT:** Leveling your washer properly reduces excess noise and vibration.

### 1. Move washer to final location



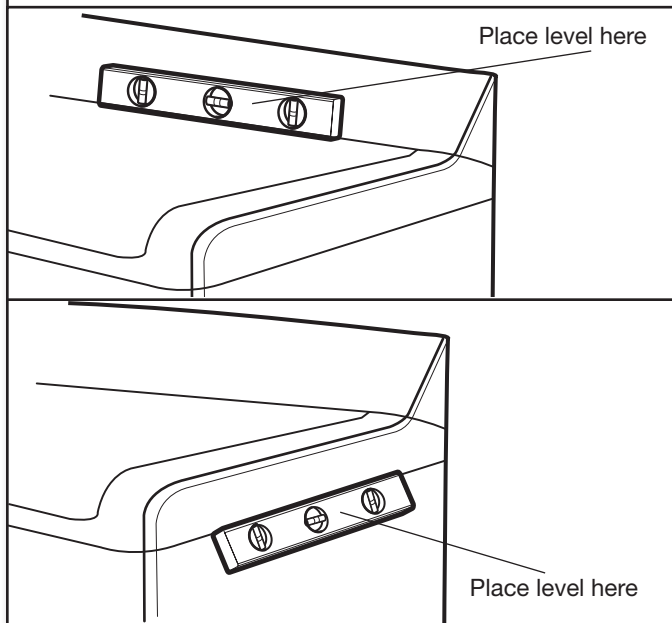
Move the washer to its final location. Rock the washer back and forth to check whether all four feet are stable and in firm contact with the floor. If the washer rocks, your model may be one that comes with 3 feet preset at the factory. It will be necessary to adjust the right front foot to level the washer. If all 4 feet were preset at the factory, minor adjustments may be needed to level the washer on your floor.

### 2. Adjust front leveling foot

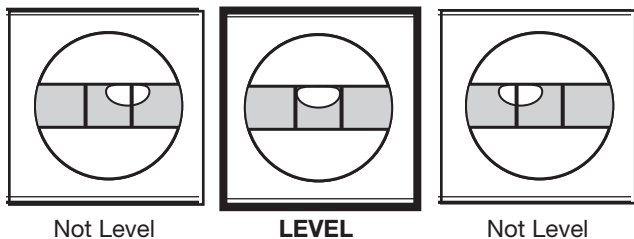


For washers with an adjustable right front foot, lower the right front foot until it contacts the floor. Using pliers, rotate the foot up to an additional 1 1/2 turns.

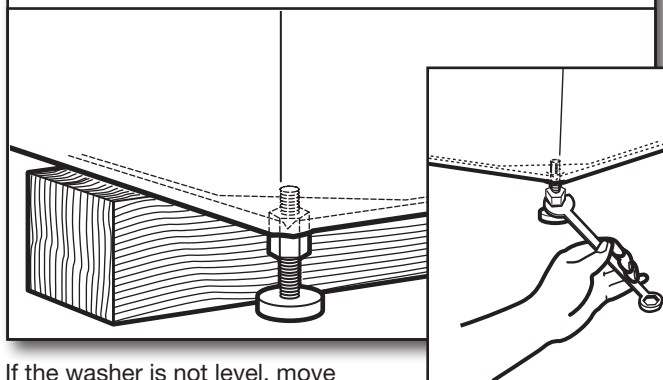
### 3. Check levelness of washer



Check the levelness of the washer. First, place a level on the lid near the console. Then place the level on the side of the washer in the crease between the top of the washer and the cabinet.



### 4. Adjust levelness of washer



If the washer is not level, move the washer out slightly, tip back and prop up the front of the washer with a wood block. Adjust the right front foot by loosening the locknut with a 9/16" or 14 mm open-end wrench, then twisting the foot up or down as needed. After the washer is level, make sure all 4 feet are in firm contact with the floor by gently rocking it back and forth and side to side. Adjust the feet if necessary, then using the wrench again, turn the locknuts counterclockwise on the foot to tighten to the washer cabinet.

**HELPFUL TIP:** You may have to adjust the back feet to level the washer. If you are installing the washer in a tight or hard-to-reach area, you may have to move the washer out to reach the feet comfortably. You may wish to lock the back feet before moving the washer back into place.

**IMPORTANT:** If the locknuts are not tight against the washer cabinet, the washer may vibrate.

## ⚠ WARNING



### Electrical Shock Hazard

Plug into a grounded 3 prong outlet.

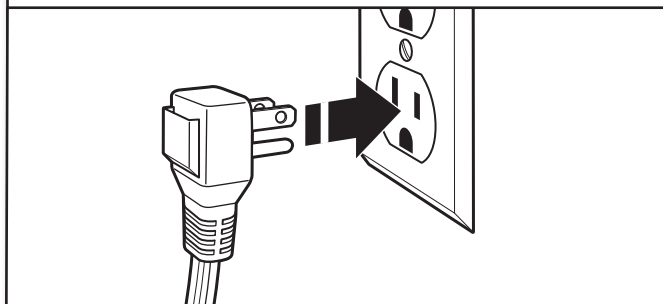
Do not remove ground prong.

Do not use an adapter.

Do not use an extension cord.

Failure to follow these instructions can result in death, fire, or electrical shock.

### 5. Plug into a grounded 3 prong outlet





## COMPLETE INSTALLATION CHECKLIST

- Check electrical requirements. Be sure you have correct electrical supply and recommended grounding method. See “Electrical Requirements.”
- Check that all parts are now installed. If there is an extra part, go back through steps to see what was skipped.
- Check that you have all of your tools.
- Keep the foam packing ring from the washer tub for future relocation of the washer. Dispose of/recycle all packaging materials.
- Check that both water faucets are on.
- Check for leaks around faucets and inlet hoses.
- Remove film from console and any tape remaining on washer.

## ⚠ WARNING



### Electrical Shock Hazard

**Plug into a grounded 3 prong outlet.**

**Do not remove ground prong.**

**Do not use an adapter.**

**Do not use an extension cord.**

**Failure to follow these instructions can result in death, fire, or electrical shock.**

- Check that washer is plugged into a grounded 3-prong outlet.
- Read “Washer Use” in your “Use and Care Guide.”
- To test and clean your washer, measure 1/2 of normal recommended amount of High Efficiency (HE) powdered or liquid detergent for a medium-size load and pour it into detergent dispenser. Close lid. Press POWER. Select a normal cycle and press START. Allow it to complete one whole cycle.

# SÉCURITÉ DE LA LAVEUSE

## Votre sécurité et celle des autres est très importante.

Nous donnons de nombreux messages de sécurité importants dans ce manuel et sur votre appareil ménager. Assurez-vous de toujours lire tous les messages de sécurité et de vous y conformer.



Voici le symbole d'alerte de sécurité.

Ce symbole d'alerte de sécurité vous signale les dangers potentiels de décès et de blessures graves à vous et à d'autres.

Tous les messages de sécurité suivront le symbole d'alerte de sécurité et le mot "DANGER" ou "AVERTISSEMENT". Ces mots signifient :

**⚠ DANGER**

**Risque possible de décès ou de blessure grave si vous ne suivez pas immédiatement les instructions.**

**⚠ AVERTISSEMENT**

**Risque possible de décès ou de blessure grave si vous ne suivez pas les instructions.**

Tous les messages de sécurité vous diront quel est le danger potentiel et vous disent comment réduire le risque de blessure et ce qui peut se produire en cas de non-respect des instructions.

## IMPORTANTES INSTRUCTIONS DE SÉCURITÉ

**AVERTISSEMENT** : Pour réduire les risques d'incendie, de choc électrique ou de blessures lors de l'utilisation de la laveuse, suivre les précautions fondamentales dont les suivantes :

- Lire toutes les instructions avant d'utiliser la laveuse.
- Ne pas laver des articles qui ont été nettoyés ou lavés avec de l'essence ou imbibés d'essence, solvants de nettoyage à sec, ou autres substances inflammables ou explosives; ces substances peuvent émettre des vapeurs susceptibles de s'enflammer ou d'exploser.
- Ne pas ajouter d'essence, solvant de nettoyage à sec ou autre produit inflammable ou explosif dans l'eau de lavage. Ces substances peuvent émettre des vapeurs susceptibles de s'enflammer ou d'exploser.
- Dans certaines conditions, de l'hydrogène gazeux peut se former dans un circuit d'eau chaude qui n'a pas été utilisé pendant 2 semaines ou plus. LE GAZ HYDROGÈNE EST EXPLOSIBLE. Si le circuit d'eau chaude n'a pas été utilisé pendant une telle période, avant d'utiliser la laveuse, ouvrir tous les robinets d'eau chaude et laisser l'eau s'écouler pendant plusieurs minutes par chaque robinet. Ceci permettra l'évacuation de l'hydrogène gazeux accumulé. Comme ce gaz est inflammable, ne pas fumer ou utiliser une flamme nue au cours de cette période.
- Ne pas laisser des enfants jouer sur ou à l'intérieur de la laveuse. Bien surveiller les enfants lorsque la laveuse est utilisée à proximité d'enfants.
- Avant de mettre la laveuse au rebut ou hors de service, enlever la porte ou le couvercle.
- Ne pas tenter d'atteindre un article à l'intérieur de la cuve de la laveuse lorsque le tambour, la cuve ou l'agitateur est en mouvement.
- Ne pas installer ou remiser cette laveuse à un endroit où elle serait exposée aux intempéries.
- Ne pas modifier les organes de commande.
- Ne pas réparer ou remplacer un composant quelconque de la laveuse, ni entreprendre une opération de service, si ce n'est spécifiquement recommandé dans ce manuel ou dans un manuel d'instructions de réparations destiné à l'utilisateur; il est alors essentiel que la personne concernée comprenne ces instructions et soit compétente pour les exécuter.
- Pour les instructions de liaison à la terre, voir "Spécifications électriques" dans les instructions d'installation.

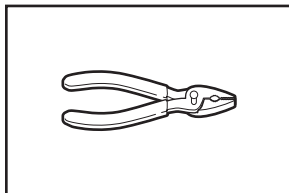
**CONSERVEZ CES INSTRUCTIONS**

## EXIGENCES D'INSTALLATION

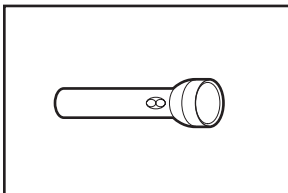
### OUTILLAGE ET PIÈCES

Rassembler les outils et composants nécessaires avant d'entreprendre l'installation.

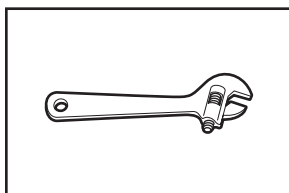
#### Outillage nécessaire :



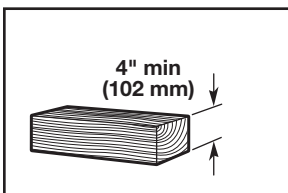
Pince – ouverture jusqu'à 1<sup>9</sup>/<sub>16</sub>" (39,5 mm)



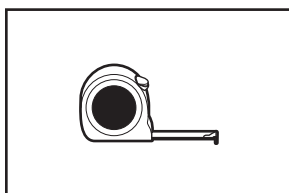
Lampe de poche (facultative)



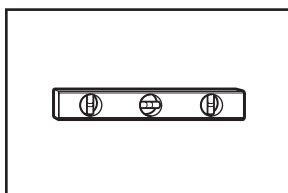
Clé plate ou clé à molette de 9/16" (14 mm)



Cale en bois

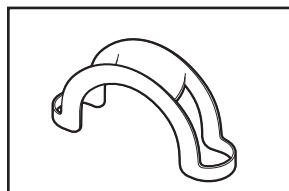


Mètre-ruban ou règle

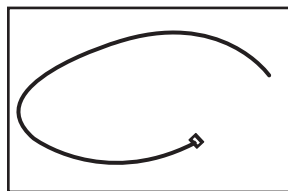


Niveau

#### Pièces fournies (dans le panier de la laveuse) :

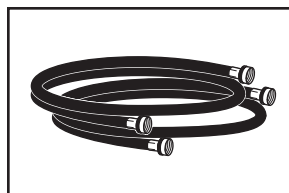


Bride de retenue pour tuyau de vidange

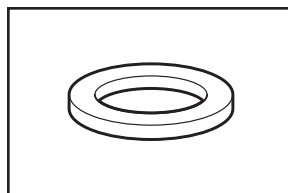


Attache-câble

#### Pièces nécessaires (Non fournies avec la laveuse) :



Tuyaux d'admission d'eau (2)



Rondelles plates pour tuyau d'arrivée d'eau (4)

Pour commander, consulter les numéros d'appel sans frais figurant sur la couverture arrière des "Instructions d'utilisation" de la laveuse.

- 8212656RP Tuyau d'arrivée d'eau de 10 pi (3 m), EPDM noirs (lot de 2)
- 8212641RP Tuyau d'arrivée d'eau de 5 pi (1,5 m), EPDM noirs (lot de 2)
- 8212646RP Tuyau d'arrivée d'eau de 4 pi (1,2 m), EPDM noirs (lot de 2)
- 8212545RP Tuyau d'arrivée d'eau de 5 pi (1,5 m), EPDM rouge et bleu (lot de 2)
- 8212487RP Tuyau d'arrivée en nylon tressé de 5 pi (1,5 m) (lot de 2)
- 8212638RP Tuyau d'arrivée en nylon tressé de 6 pi (1,8 m), coude compact de 90°, raccords hypro-bleu en acier (lot de 2)
- 8212637RP Tuyau d'arrivée de 6 pi (1,8 m), EPDM noir, coude compact de 90°, raccords hypro-bleu en acier (lot de 2)

#### Autres pièces : (Non fournies avec la laveuse)

Il se peut que l'installation nécessite des pièces supplémentaires. Pour commander, consulter le numéro de téléphone sans frais ou le site Web sur la page arrière du "Guide d'utilisation et d'entretien".

#### Si vous avez :

Évier de buanderie ou tuyau de rejet à l'égout plus haut que 96" (2,4 m)

#### Il vous faudra :

Système de pompe de puisard (si non déjà disponible)

Tuyau de rejet à l'égout de 1" (25 mm) de diamètre

Ensemble pour adaptateur de 2" (50 mm) à 1" (25 mm) de diamètre pour tuyau de rejet à l'égout; pour tuyau de rejet à l'égout, pièce numéro 3363920 et ensemble de connexion, pièce numéro 285835

Égout surélevé

Tuyau rigide d'évacuation standard de 20 gal. (76 L) de 39" (990 mm) de haut ou évier de décharge, pompe de puisard et connecteurs (disponibles chez les vendeurs de matériel de plomberie locaux)

Égout au plancher

Ensemble de brise-siphon, pièce numéro 285834; Tuyau de vidange supplémentaire, pièce numéro 285863; Ensemble de raccord, pièce numéro 285835

Un tuyau de vidange trop court

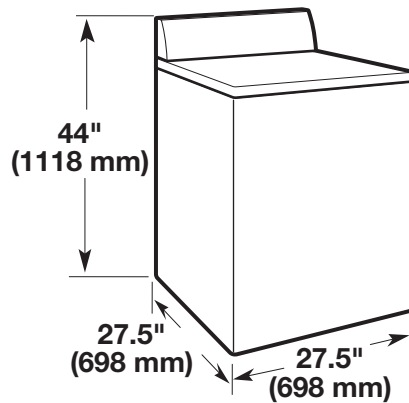
Tuyau de vidange supplémentaire, pièce numéro 285863 Ensemble de connexion, pièce numéro 285835

Système d'évacuation obstrué par de la charpie

Protecteur de canalisation, pièce numéro 376031

## EXIGENCES D'EMPLACEMENT

Le choix d'un emplacement approprié pour la laveuse en améliore le rendement et réduit au minimum le bruit et le "déplacement" possible de la laveuse. La laveuse peut être installée dans un sous-sol, une salle de buanderie, un placard ou un encastrement.



### Il vous faudra :

- Un chauffe-eau réglé pour fournir de l'eau à 120°F (49°C) à la laveuse.
- Une prise électrique reliée à la terre située à 4 pi (1,2 m) maximum de l'emplacement de la prise du cordon électrique se trouvant à l'arrière de la laveuse. Voir "Spécifications électriques".
- Des robinets d'eau chaude et d'eau froide situés à 3 pi (900 mm) maximum des valves de remplissage d'eau chaude et d'eau froide, et une pression d'eau de 20–100 lb-po<sup>2</sup> (138–690 kPa) pour une performance optimale.
- Un plancher de niveau avec une pente maximale de 1" (25 mm) sous l'ensemble de la laveuse. L'installation de la laveuse sur de la moquette ou un tapis n'est pas recommandée.
- Un plancher robuste pour supporter la laveuse avec un poids total (laveuse, eau et charge) de 315 lb (143 kg).

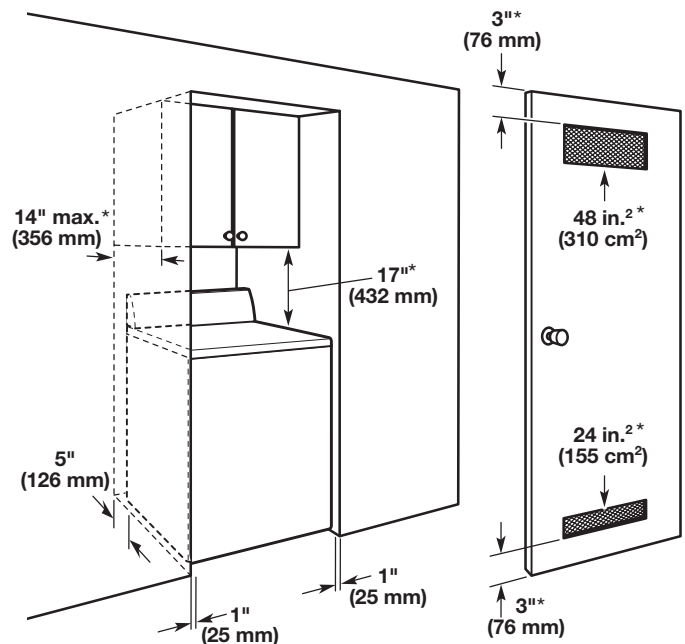
**IMPORTANT :** Ne pas installer, remiser ou faire fonctionner la laveuse à un emplacement où elle sera exposée à de l'eau, des intempéries ou à des températures inférieures à 32° F (0° C). Une certaine quantité d'eau peut rester dans la laveuse et causer des dommages à des températures basses. Consulter le "Guide d'utilisation et d'entretien" pour plus d'informations sur l'hivernisation.

C'est à l'utilisateur qu'incombe la responsabilité de réaliser une installation correcte.

## Espacement pour une installation dans un encastrement ou dans un placard

Toutes les dimensions indiquent le dégagement autorisé, avec un dégagement testé de 0" (0 mm) de chaque côté.

- Prévoir davantage d'espace pour faciliter l'installation et l'entretien.
- Des espaces supplémentaires peuvent être requis pour les moulures de porte et de plancher et pour les plinthes.
- Un espace supplémentaire doit être envisagé de tous les côtés de la laveuse afin de réduire le transfert de bruit.
- Pour une installation dans un placard avec porte, on doit prévoir des ouvertures minimums d'entrée d'air en haut et en bas de la porte. Les portes à claire-voie offrant des ouvertures équivalentes de passage de l'air sont acceptables.
- Il faut aussi prendre en compte l'espace requis entre les appareils voisins.

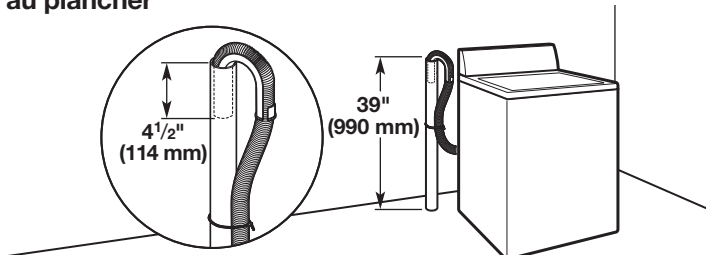


\*Espacement requis

## SYSTÈME DE VIDANGE

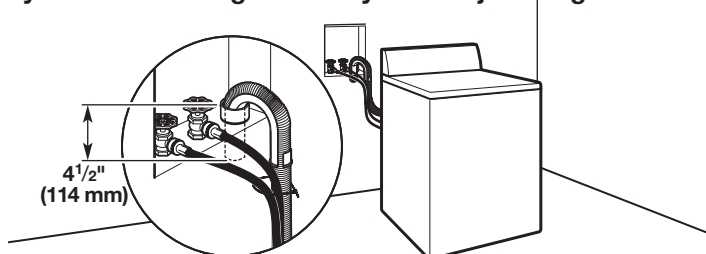
Le système de vidange de la laveuse peut être installé à l'aide d'un conduit d'évacuation au plancher, un tuyau de rejet à l'égout au plancher ou mural ou un évier de buanderie. Sélectionner la méthode à utiliser.

### Système de vidange avec tuyau de rejet à l'égout au plancher



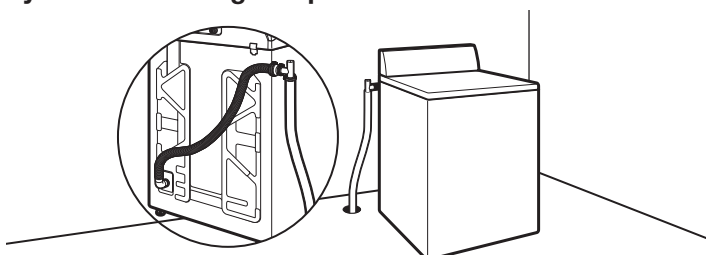
Diamètre minimal pour un tuyau de rejet à l'égout : 2" (51 mm). Capacité minimale d'acheminement : 17 gal. (64 L) par minute. Le sommet du tuyau de rejet à l'égout doit avoir une hauteur d'au moins 39" (990 mm); ne pas l'installer à plus de 96" (2,44 m) du fond de la laveuse. Si on doit l'installer à plus de 96" (2,44 m) de hauteur, un système de pompe de puisard est nécessaire.

### Système de vidange avec tuyau de rejet à l'égout mural



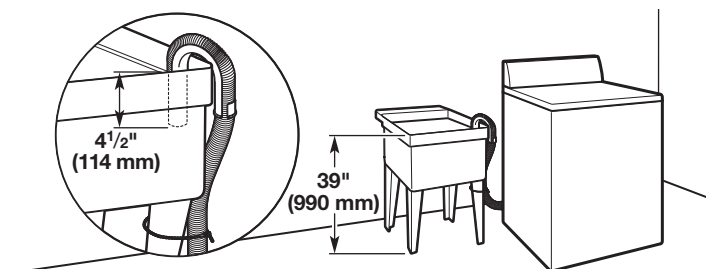
Voir les exigences pour le système de vidange avec tuyau de rejet à l'égout au plancher.

### Système de vidange au plancher



Le système de vidange au plancher nécessite un ensemble de brise-siphon (pièce numéro 285834), deux ensembles de connection (pièce numéro 285835), et un tuyau de vidange supplémentaire (pièce numéro 285863) qui peuvent être achetés séparément. Pour commander, consulter les numéros d'appel sans frais figurant dans les "Instructions d'utilisation" de la laveuse. Dimension minimale pour le brise-siphon : 28" (710 mm) à partir du fond de la laveuse. (Des tuyaux supplémentaires peuvent être requis).

### Système de vidange dans un évier de buanderie



Capacité minimale : 20 gal. (76 L). Le sommet de l'évier de buanderie doit se trouver à au moins 39" (990 mm) du plancher; ne pas l'installer à plus de 96" (2,44 m) du fond de la laveuse.

**IMPORTANT :** Pour éviter un effet de siphon, ne pas introduire plus de 4 1/2" (114 mm) de tuyau de vidange à l'intérieur du tuyau de rejet à l'égout ou sous la partie supérieure d'évier de buanderie. Immobiliser le tuyau de vidange avec un attache-câble.

## SPÉCIFICATIONS ÉLECTRIQUES

### ⚠ AVERTISSEMENT



#### Risque de choc électrique

**Brancher sur une prise à 3 alvéoles reliée à la terre.**

**Ne pas enlever la broche de liaison à la terre.**

**Ne pas utiliser un adaptateur.**

**Ne pas utiliser un câble de rallonge.**

**Le non-respect de ces instructions peut causer un décès, un incendie ou un choc électrique.**

- Une alimentation de 120 volts, 60 Hz, CA seulement, de 15 ou 20 ampères, protégée par un fusible est requise. On recommande d'utiliser un fusible ou un disjoncteur temporisé ainsi qu'un circuit distinct pour cette laveuse.
- Cette laveuse comporte un cordon d'alimentation électrique à trois broches pour liaison à la terre.
- Pour minimiser les risques de choc électrique, on doit brancher le cordon sur une prise de courant de configuration correspondante, à 3 alvéoles, reliée à la terre et installée conformément aux codes et règlements locaux. Si une prise de courant de configuration correspondante n'est pas disponible, le client a la responsabilité et l'obligation de faire installer par un électricien qualifié une prise de courant correctement reliée à la terre.
- Si les codes le permettent et si l'on utilise un conducteur distinct de liaison à la terre, il est recommandé qu'un électricien qualifié vérifie la qualité de la liaison à la terre.
- Ne pas utiliser une tuyauterie de gaz pour le raccordement à la terre.
- En cas de doute quant à la qualité de la liaison à la terre de la laveuse, consulter un électricien qualifié.
- Ne pas installer un fusible dans le conducteur neutre ou le circuit de liaison à la terre.

## INSTRUCTIONS DE LIAISON À LA TERRE

### Pour une laveuse reliée à la terre et connectée par un cordon :

Cette laveuse doit être reliée à la terre. En cas d'anomalie de fonctionnement ou de panne, la liaison à la terre réduira le risque de choc électrique en offrant au courant électrique un itinéraire d'évacuation de moindre résistance. Cette laveuse est alimentée par un cordon électrique comportant un conducteur relié à la terre et une fiche de branchement munie d'une broche de liaison à la terre. La fiche doit être branchée sur une prise de courant appropriée qui est bien installée et reliée à la terre conformément à tous les codes et règlements locaux.

**AVERTISSEMENT :** Le raccordement incorrect de cet appareil au conducteur de liaison à la terre peut susciter un risque de choc électrique. En cas de doute quant à la qualité de la liaison à la terre de l'appareil, consulter un électricien ou technicien d'entretien qualifié.

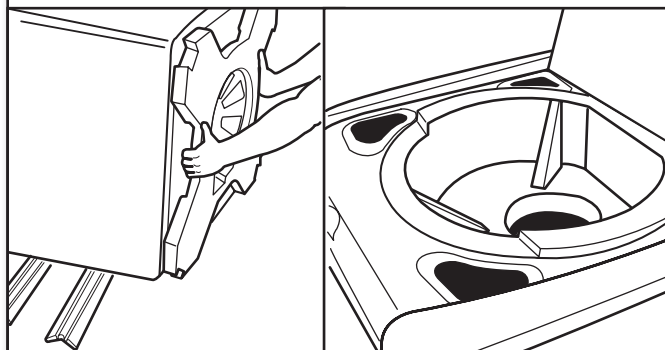
Ne pas modifier la fiche de branchement fournie avec l'appareil – si la fiche ne correspond pas à la configuration de la prise de courant, demander à un électricien qualifié d'installer une prise de courant convenable.

### Pour une laveuse raccordée en permanence :

Cette laveuse doit être raccordée à un système de câblage permanent en métal relié à la terre ou un conducteur relié à la terre doit être en fonction avec les conducteurs de circuit et raccordés à la borne de liaison à la terre ou la borne sur l'appareil ménager.

## RETRAIT DE LA BASE D'EXPÉDITION ET DE L'EMBALLAGE EN ANNEAU

### 1. Retrait de la base d'expédition et de l'emballage en anneau



Placer des supports de carton de la boîte d'emballage en carton sur le sol derrière la laveuse. Fixer le couvercle avec du ruban adhésif. À l'aide de deux personnes ou plus, incliner la laveuse sur sa partie arrière et la placer sur les supports de carton. Ôter la base d'expédition en mousse. Remettre ensuite la laveuse debout et retirer le ruban adhésif du couvercle de façon à pouvoir ouvrir le couvercle et retirer l'emballage en anneau de la cuve de la laveuse.

**REMARQUE :** Conserver l'anneau de l'emballage en mousse en cas de déplacement ultérieur de la laveuse.

## INSTRUCTIONS D'INSTALLATION

### ⚠ AVERTISSEMENT

#### Risque du poids excessif

Utiliser deux ou plus de personnes pour déplacer et installer la laveuse.

Le non-respect de cette instruction peut causer une blessure au dos ou d'autre blessure.

Avant de commencer : Retirer le matériel d'expédition.

Il est nécessaire de retirer tout le matériel d'expédition pour un fonctionnement correct et pour éviter que la laveuse ne fasse trop de bruit.

**REMARQUE :** Pour éviter d'endommager le plancher durant l'installation, installer la laveuse sur un carton avant de la déplacer sur le sol.

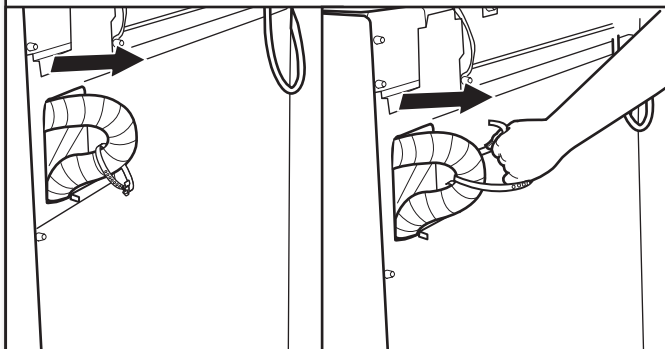
#### IMPORTANT :

- Vérifier que la base d'expédition en mousse a été retirée de la partie inférieure de la laveuse tel qu'indiqué dans "Retrait de la base d'expédition et de l'emballage en anneau".
- Si la base d'expédition en mousse n'a pas été retirée, vérifier que le couvercle est bien immobilisé avec du ruban adhésif avant de faire reposer la laveuse sur sa partie arrière.
- Le retrait de la base d'expédition en mousse est nécessaire au bon fonctionnement de l'appareil.

## RACCORDEMENT DU TUYAU D'ÉVACUATION

**IMPORTANT :** Un bon raccordement du tuyau d'évacuation permet d'éviter les fuites d'eau et les dommages au plancher. Le tuyau de vidange est connecté à la laveuse et est remis à l'intérieur de la caisse de la laveuse.

### 1. Libérer le tuyau de vidange de la caisse de la laveuse

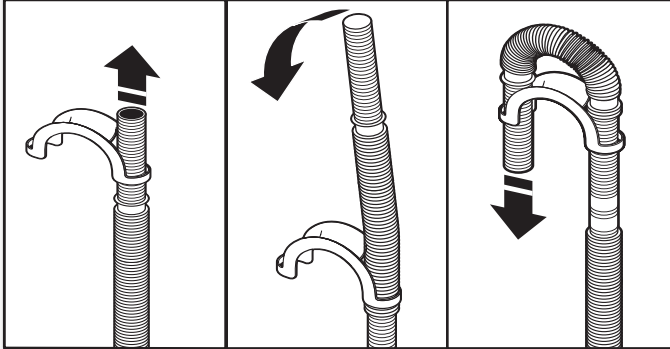


Libérer le tuyau de vidange de la caisse de la laveuse.

**IMPORTANT :** Ne pas forcer l'excédent du tuyau de vidange dans l'arrière de la laveuse.



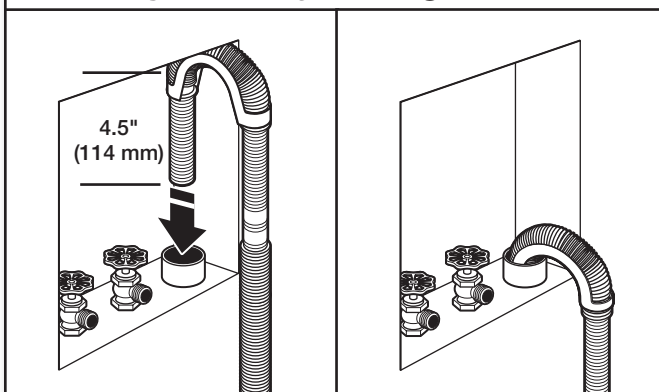
## 2. Raccordement de la bride de retenue pour tuyau de vidange



Pour un système d'évacuation par l'évier de buanderie ou le tuyau rigide de rejet à l'égout, fixer le support de fixation pour tuyau d'évacuation. Pour un système d'évacuation au plancher, ne pas installer le support de fixation pour tuyau d'évacuation. Des pièces supplémentaires avec des directives distinctes seront peut-être nécessaires. Voir "Outils et pièces" pour déterminer les outils nécessaires.

Introduire le tuyau d'évacuation dans l'une des extrémités du support. Replier le tuyau et l'introduire dans l'autre côté en fixant le support sur les parties lisses du tuyau. Le tuyau doit être étiré de 4.5" (114 mm) au-delà du support.

## 3. Placer le tuyau de vidange dans le tuyau de rejet à l'égout



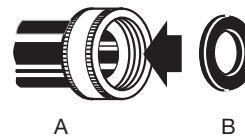
Placer le tuyau dans le tuyau de rejet à l'égout (illustré à l'image) ou par-dessus le côté de l'évier de buanderie.

**IMPORTANT :** Pour empêcher l'eau de vidange de refluer dans la laveuse :

- Ne pas forcer l'excédent du tuyau de vidange dans le tuyau rigide de rejet à l'égout. Le tuyau doit être bien immobilisé, tout en permettant le passage d'air.
- Ne pas mettre l'excédent du tuyau de vidange dans le fond de l'évier de buanderie.

## RACCORDEMENT DES TUYAUX DE VIDANGE

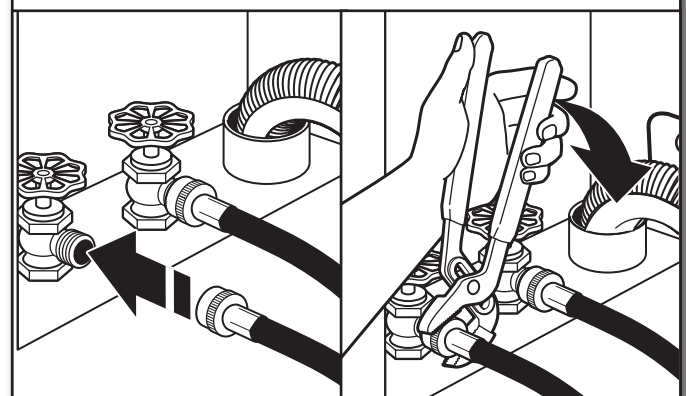
### 1. Insérer les rondelles plates neuves



A. Raccord  
B. Rondelle

**IMPORTANT :** Pour éviter des fuites, vérifier que les tuyaux d'arrivée d'eau ont les rondelles plates aux deux extrémités. La laveuse doit être raccordée aux robinets d'eau à l'aide des nouveaux tuyaux d'arrivée d'eau avec les rondelles plates (non fournis). Ne pas utiliser de tuyaux usagés. Ne pas utiliser de tuyaux sans rondelles.

### 2. Connecter les tuyaux d'arrivée d'eau aux robinets

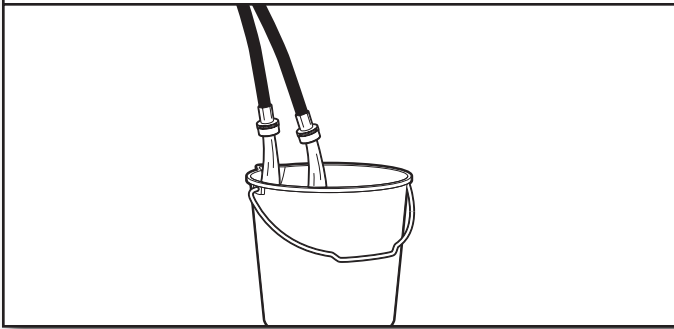


S'assurer que le panier de la laveuse est vide. Fixer le tuyau dont l'étiquette porte la mention "hot" (chaud) au robinet d'eau chaude. Visser le raccord à la main pour qu'il repose sur la rondelle. Serrer les raccords de deux tiers de tour supplémentaires à l'aide d'une pince. Répéter cette étape avec le tuyau portant la mention "cold" (froide) pour le robinet d'eau froide. Les deux tuyaux doivent être raccordés pour que la laveuse fonctionne correctement.

**IMPORTANT :** Ne pas serrer excessivement ni utiliser de ruban adhésif ou de dispositifs d'étanchéité lors de la fixation des robinets ou de la laveuse. Cela pourrait entraîner des dommages.

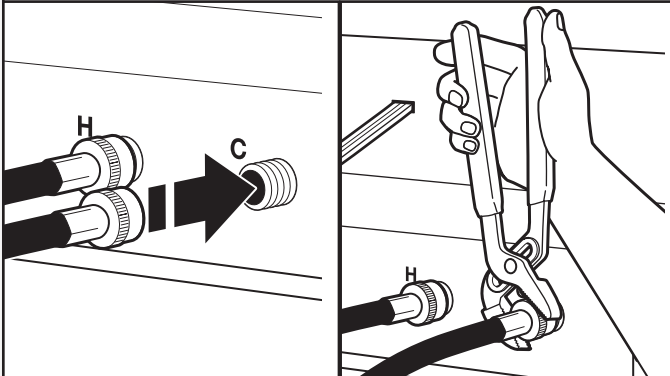
**CONSEIL UTILE :** Repérer quel tuyau est raccordé à l'eau chaude pour permettre une fixation correcte des tuyaux à la laveuse.

### 3. Purger les canalisations d'eau



Faire couler de l'eau dans les tuyaux de l'évier de buanderie, le tuyau rigide de rejet à l'égout ou le seau pendant quelques secondes pour éviter toute obstruction. On doit laisser couler l'eau jusqu'à ce qu'elle soit limpide. Vérifier la température de l'eau pour s'assurer que le tuyau d'eau chaude est connecté au robinet d'eau chaude et que le tuyau d'eau froide est connecté au robinet d'eau froide.

### 4. Connecter les tuyaux d'arrivée d'eau à la laveuse



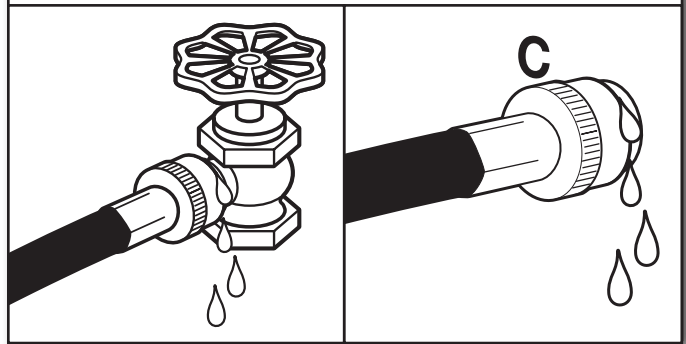
Fixer le tuyau d'eau chaude au robinet d'arrivée d'eau chaude. Visser le raccord à la main jusqu'à ce qu'il soit bien serré. Serrer les raccords de deux tiers de tour supplémentaires à l'aide d'une pince. Répéter pour le robinet d'eau froide. Les deux tuyaux doivent être raccordés pour que la laveuse fonctionne correctement.

**IMPORTANT :** Ne pas serrer excessivement ni utiliser de ruban adhésif ou de dispositifs d'étanchéité lors de la fixation des robinets ou de la laveuse. Cela pourrait entraîner des dommages.

**REMARQUE :** Pour réduire le risque de défaillance des tuyaux, remplacer les tuyaux tous les 5 ans. Inscrire la date d'installation ou de remplacement des tuyaux pour référence ultérieure.

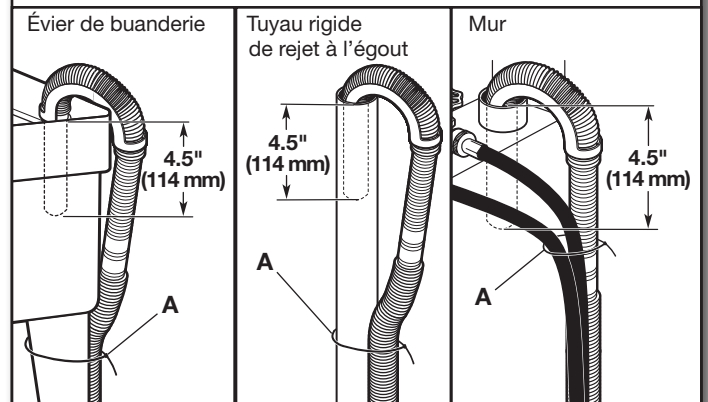
- Inspecter périodiquement les tuyaux et les remplacer en cas de renflement, de déformation, de coupure, d'usure ou si une fuite se manifeste.

### 5. Vérifier l'absence de fuites



Ouvrir les deux robinets pour vérifier l'absence de fuite au niveau du robinet et du raccordement des rondelles. Une petite quantité d'eau peut entrer dans la laveuse. Vous effectuerez une vidange lors d'une étape ultérieure.

### 6. Immobiliser le tuyau de vidange

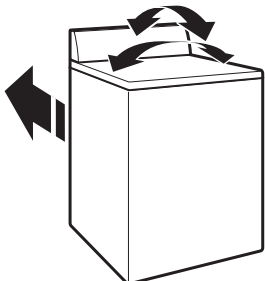


Fixer le tuyau d'évacuation au pied de l'évier de buanderie, au tuyau rigide de rejet à l'égout ou aux tuyaux d'arrivée d'eau pour le tuyau de rejet à l'égout mural avec l'attache-câble (A). Ceci aidera à réduire le risque d'éclaboussement d'eau sur le plancher.

## MISE À NIVEAU DE LA LAVEUSE

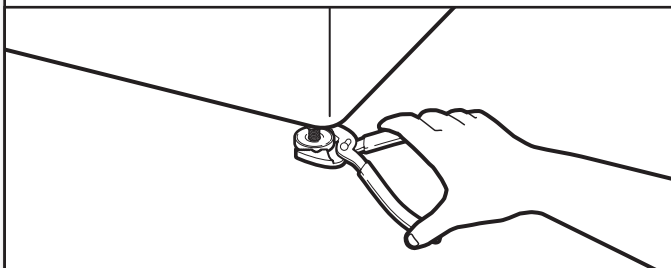
**IMPORTANT :** L'établissement correct de l'aplomb de la laveuse permet de réduire un niveau sonore et des vibrations excessifs.

### 1. Déplacer la laveuse à son emplacement final



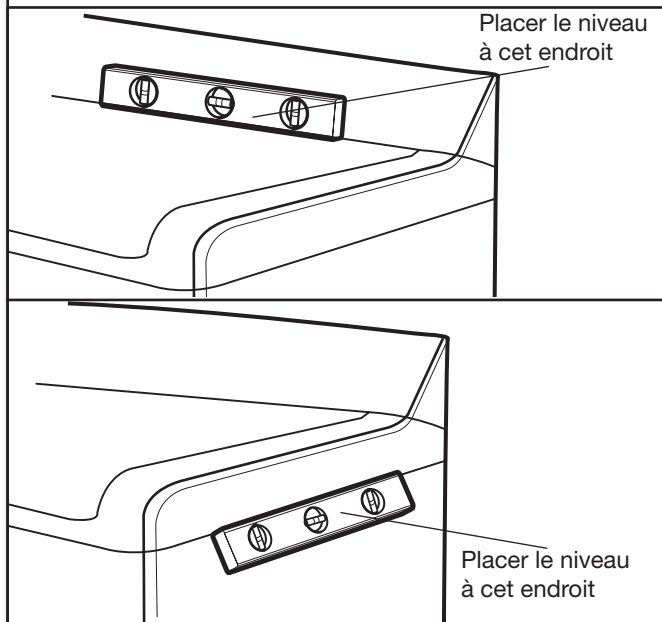
Déplacer la laveuse à son emplacement final. Pousser la laveuse d'avant en arrière pour vérifier que les quatre pieds sont stables et en contact ferme avec le plancher. Si la laveuse bascule, ce modèle de laveuse correspond peut-être à celui qui est livré avec 3 pieds pré réglés à l'usine. On doit alors régler le pied avant droit pour établir l'aplomb de la laveuse. Si les 4 pieds sont pré réglés à l'usine, de petits réglages seront peut-être nécessaires pour mettre la laveuse d'aplomb sur le plancher.

### 2. Ajuster les pieds de nivellement avant

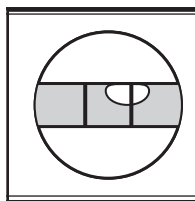


Pour les laveuses avec un pied avant droit réglable, abaisser le pied avant droit jusqu'à ce qu'il soit en contact avec le plancher. À l'aide d'une pince, faire pivoter le pied vers le haut d'un tour et demi supplémentaire.

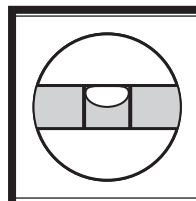
### 3. Vérifier le bon aplomb de la laveuse



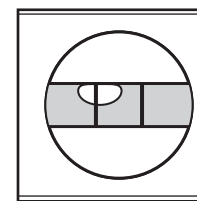
Vérifier le bon aplomb de la laveuse. Placer d'abord un niveau sur le couvercle près de la console. Puis, placer le niveau sur le côté de la laveuse dans l'espace situé entre la partie supérieure de la laveuse et la caisse.



Pas d'aplomb

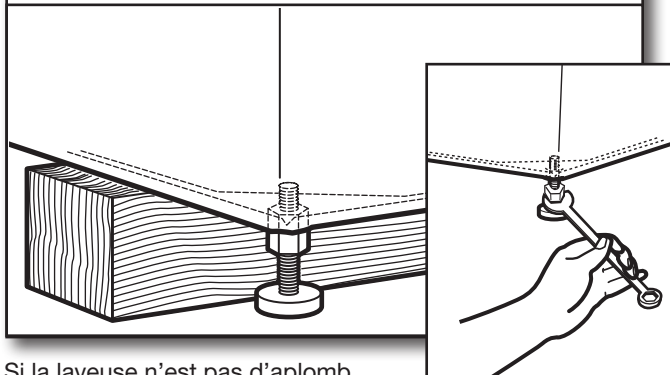


**D'APLOMB**



Pas d'aplomb

#### 4. Régler le bon aplomb de la laveuse



Si la laveuse n'est pas d'aplomb, déplacer légèrement la laveuse pour la dégager, l'incliner vers l'arrière et soulever l'avant de la laveuse avec une cale de bois. Régler le pied avant en desserrant l'écrou de blocage à l'aide d'une clé plate de 9/16" ou 14 mm puis faire tourner le pied vers le haut ou vers le bas selon le besoin. Une fois la laveuse d'aplomb, s'assurer que les 4 pieds sont en contact ferme avec le plancher en la faisant doucement pivoter d'avant en arrière et d'un côté à l'autre. Régler les pieds de nivellement si nécessaire puis utiliser à nouveau la clé et tourner les écrous de blocage dans le sens antihoraire sur les pieds pour serrer les pieds contre la caisse de la laveuse.

**CONSEIL UTILE :** Il faudra peut-être régler les pieds arrière pour établir l'aplomb de la laveuse. Si l'on installe la laveuse dans un endroit exigu ou difficile d'accès, il faudra peut-être dégager la laveuse de l'emplacement pour pouvoir avoir pleinement accès aux pieds. Il peut être utile de bloquer les pieds arrière avant de réinstaller la laveuse dans son emplacement.

**IMPORTANT :** Si les écrous de blocage ne sont pas bien serrés contre la caisse de la laveuse, la laveuse peut vibrer.

## ⚠ AVERTISSEMENT



Risque de choc électrique

Brancher sur une prise à 3 alvéoles reliée à la terre.

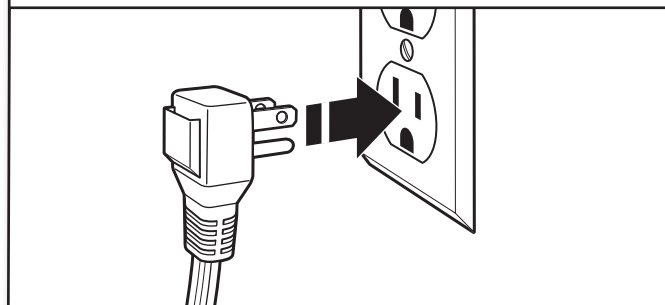
Ne pas enlever la broche de liaison à la terre.

Ne pas utiliser un adaptateur.

Ne pas utiliser un câble de rallonge.

Le non-respect de ces instructions peut causer un décès, un incendie ou un choc électrique.

#### 5. Brancher l'appareil sur une prise à 3 alvéoles reliée à la terre



## LISTE DE VÉRIFICATION POUR INSTALLATION TERMINÉE

- Consulter les spécifications électriques. S'assurer de disposer d'une source d'électricité appropriée, et d'une liaison à la terre conforme à la méthode recommandée. Voir "Spécifications électriques".
- Vérifier que toutes les pièces sont maintenant installées. S'il reste une pièce, passer en revue les différentes étapes pour découvrir laquelle aurait été oubliée.
- Vérifier la présence de tous les outils.
- Conserver l'anneau de l'emballage en mousse de la cuve en cas de réinstallation ultérieure de la laveuse. Éliminer/ recycler tous les matériaux d'emballage.
- Vérifier que les robinets d'eau sont tous les deux ouverts.
- Vérifier qu'il n'y a pas de fuite autour des robinets et des tuyaux d'arrivée d'eau.
- Ôter la pellicule protectrice de la console et tout ruban adhésif resté sur la laveuse.

## ⚠ AVERTISSEMENT



### Risque de choc électrique

**Brancher sur une prise à 3 alvéoles reliée à la terre.**

**Ne pas enlever la broche de liaison à la terre.**

**Ne pas utiliser un adaptateur.**

**Ne pas utiliser un câble de rallonge.**

**Le non-respect de ces instructions peut causer un décès, un incendie ou un choc électrique.**

- Vérifier que la laveuse est branchée sur une prise de courant à 3 alvéoles reliée à la terre.
- Lire la section "Utilisation de la laveuse" dans le "Guide d'utilisation et d'entretien".
- Pour tester et nettoyer votre laveuse, mesurer la moitié de la quantité normale recommandée de détergent Haute Efficacité (HE) en poudre ou liquide pour une charge de taille moyenne et la verser dans le distributeur de détergent. Fermer le couvercle. Appuyer sur POWER (mise sous tension). Sélectionner un programme normal et appuyer sur START (mise en marche). Laisser un programme complet s'effectuer.

