



**Sinks**

**VC 854U**

CUBE COLLECTION

**Design** Wetstyle Design Lab

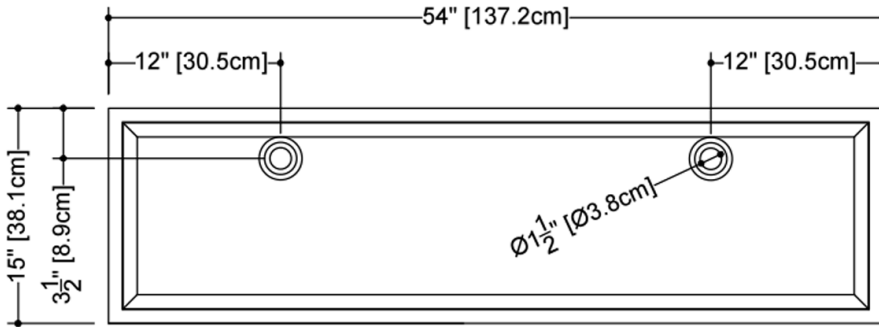


## FEATURES

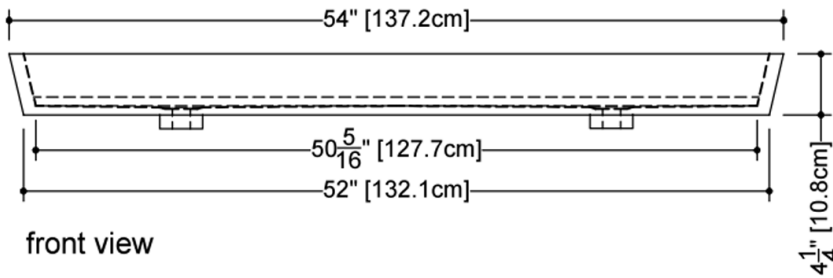
Handcrafted in Montreal, Canada  
 Installation type: undermount  
 Available with or without overflow  
 Overflow trim finish options: polished chrome, brushed nickel, matte black, satin brass or no metallic trim  
 Oak bridge wenge shade included

## TECHNICAL DETAILS

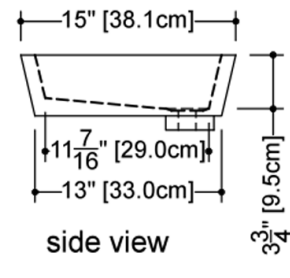
- **Width:** 15"
- **Length:** 54"
- **Height:** 4.25"
- **Weight:** 42 lbs / 19 kg



plan view



front view



side view

Lip:  
1" (2.5 cm)  
all around

**VC 854U**

WETSTYLE cannot be held responsible for any technical errors and reserves the right to make revisions without notice. Approximate measurement. The manufacturer accepts 1/4" (6.35mm) variance.

## OPTIONS

### Model

- VC854U

### Overflow

- No Overflow
- With Overflow - Brushed Nickel (#BN)
- With Overflow - Matte Black (#MB)
- With Overflow - No Trim (#NT)
- With Overflow - Polished Chrome (#PC)
- With Overflow - Satin Brass (#SB)

### WETMAR BiO Finish

- White Matte (#MA)
- White True High Gloss (#GA)

## CODES/STANDARDS APPLICABLES

IAPMO-ANSI Z124.1  
IAPMO-ANSI Z124.3  
CSA B 45.0  
CSA B 45.4

---

## NOTES

**WOOD BRIDGE:** Oak bridge wenge shade; other shades can be ordered at an additional cost.