



**Vessel Sinks**

# VC 842A

CUBE COLLECTION

**Design** WETSTYLE Design Lab

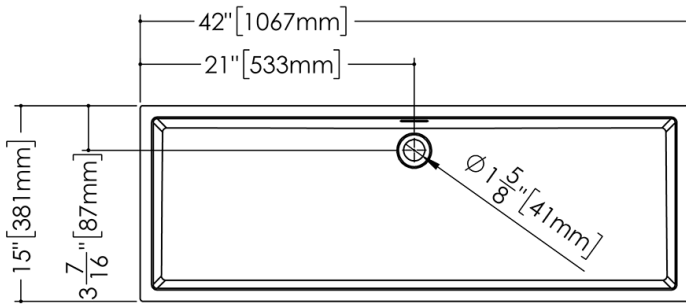


## FEATURES

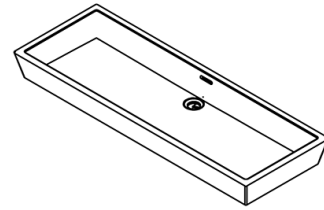
Handcrafted in Montreal, Canada  
 Installation type: above-counter  
 Available with or without overflow  
 Overflow trim finish options: polished chrome, brushed nickel, matte black, satin brass or no metallic trim  
 Oak bridge wenge shade included

## TECHNICAL DETAILS

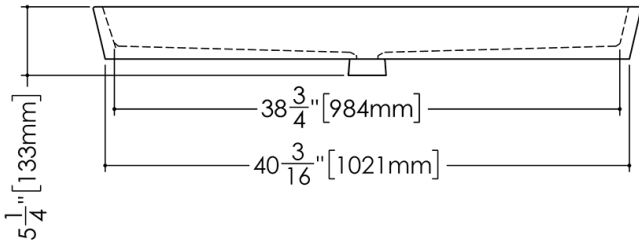
- **Width:** 15"
- **Length:** 42"
- **Height:** 4"
- **Weight:** 34 lbs / 15 kg



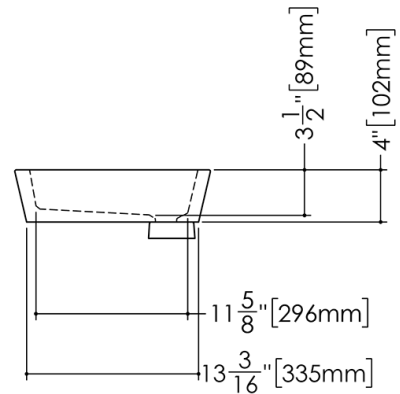
**Top View**



**Perspective view**  
**Esc: 1:20**



**Front View**



**Side View**

**VC 842**

WETSTYLE cannot be held responsible for any technical errors and reserves the right to make revisions without notice. Approximate measurement. The manufacturer accepts 1/4" (6.35mm) variance.

## OPTIONS

### Model

- VC842A

### WETMAR BiO Finish

- White Matte (#MA)
- White True High Gloss (#GA)

### Overflow

- No Overflow
- With Overflow - Brushed Nickel (#BN)
- With Overflow - Matte Black (#MB)
- With Overflow - No Trim (#NT)
- With Overflow - Polished Chrome (#PC)
- With Overflow - Satin Brass (#SB)