



**Bathtubs**

# BWA 01

WAVE COLLECTION

**Design** Wetstyle Design Lab

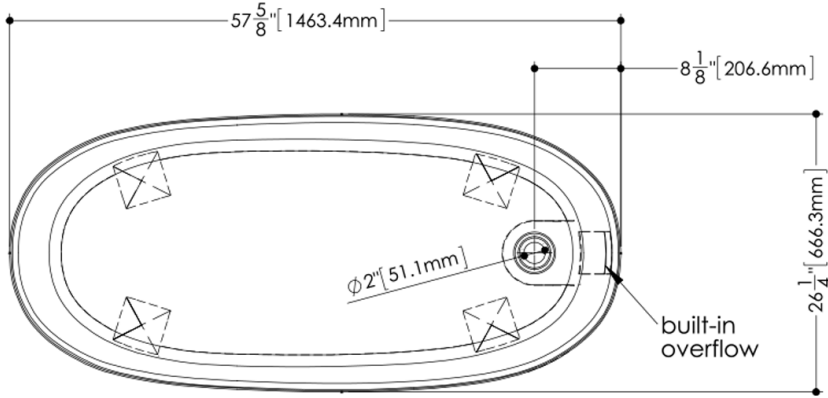


## FEATURES

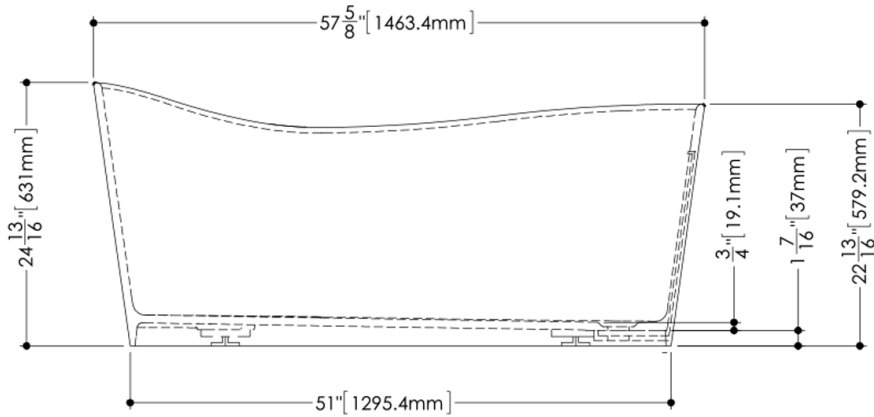
- Handcrafted in Montreal, Canada
- Integrated overflow
- Soft toe touch drain
- Plug & Bathe drain connection for quick install

## TECHNICAL DETAILS

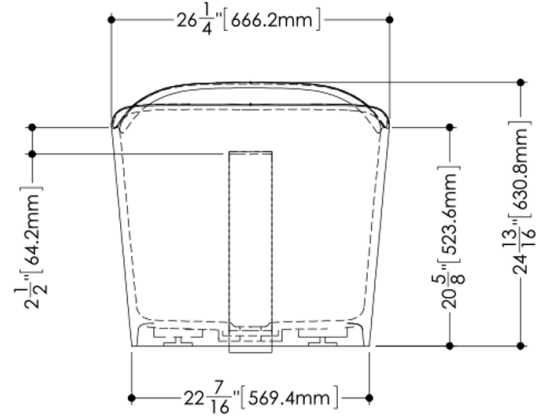
- **Width:** 26.25"
- **Length:** 57.63"
- **Height:** 24.81"
- **Weight:** 124 lbs / 56 kg



plan view






front view



side view

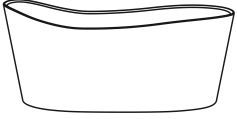
WETSTYLE Plug & Bathe™ overflow and drain connection system includes:

-  Soft-touch pop-up drain, for built-in overflow. Fits both 1-1/2" ABS drain waste and 1-1/2" tubular brass
-  1-1/2" ABS Direct vertical drain waste fitting (copper/brass option also available)
-  1-1/2" ABS 90° Elbow drain waste fitting (copper/brass option also available)

### BWA 01

WETSTYLE cannot be held responsible for any technical errors and reserves the right to make revisions without notice. Approximate measurement. The manufacturer accepts  $\frac{1}{4}$ " (6.35mm) variance.

## AVAILABLE CONFIGURATIONS



Freestanding

## OPTIONS

### Model

- BWA01 - Freestanding

### Drain Overflow Trim Finish

- Brushed Nickel Drain - No Trim Overflow (#BNNT)
- Matte Black Drain - No Trim Overflow (#MBNT)
- Polished Chrome Drain - No Trim Overflow (#PCNT)
- Satin Brass Drain - No Trim Overflow (#SBNT)
- With Overflow - No Trim (#NT)

### WETMAR BiO Finish

- Stone Harbour Grey Matte (#MGR)
- White Matte (#MA)
- White True High Gloss (#GA)

### Plumbing Connection

- Copper/Brass Connection - local code dependant (#COP)
- Standard ABS Connection

## CODES/STANDARDS APPLICABLES

IAPMO-ANSI Z124.1  
IAPMO-ANSI Z124.3  
CSA B 45.0  
CSA B 45.4

## FAUCET AREA RECOMMENDED

Wall-mounted or floor-mounted