



**Bathtubs**

# BTP 01

TULIP COLLECTION

**Design** Joël Dupras and WETSTYLE Design Lab



## FEATURES

Handcrafted in Montreal, Canada

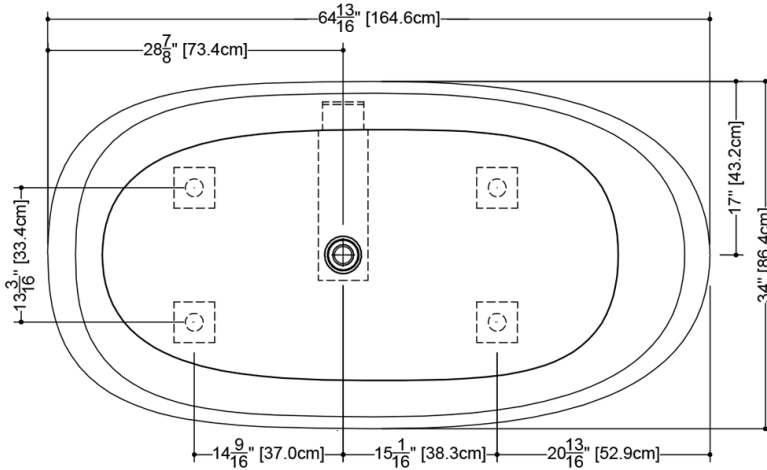
Integrated overflow

Soft toe touch drain

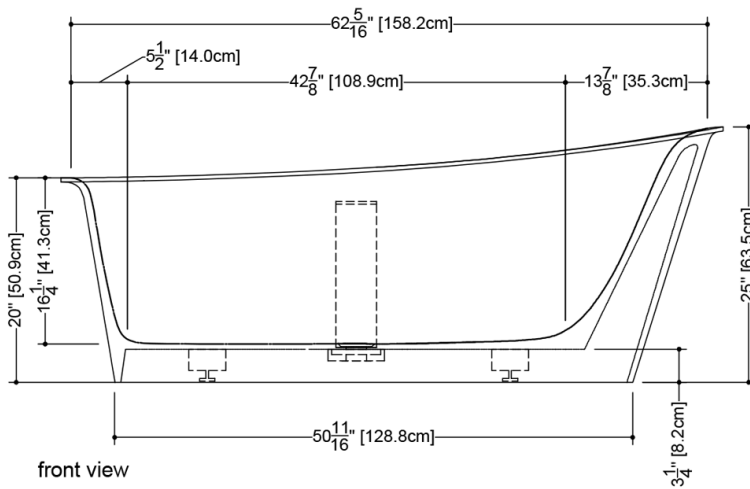
Plug & Bathe drain connection for quick install

## TECHNICAL DETAILS




- **Width:** 34"
- **Length:** 64.81"
- **Height:** 25"
- **Weight:** 166 lbs / 75 kg

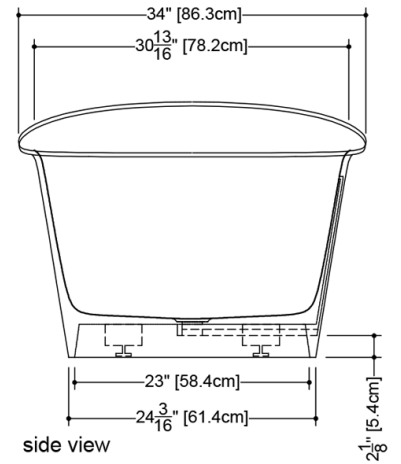


plan view



front view

- WETSTYLE Plug & Bathe™** overflow and drain connection system includes:
-  Soft-touch pop-up drain, for built-in overflow. Fits both 1-1/2" ABS drain waste and 1-1/2" tubular brass waste and 1-1/2" tubular brass
  -  1-1/2" ABS Direct vertical drain waste fitting (copper/brass option also available)
  -  1-1/2" ABS 90° Elbow drain waste fitting (copper/brass option also available)

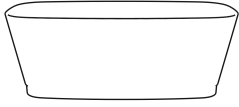


side view

**BTP 01**

WETSTYLE cannot be held responsible for any technical errors and reserves the right to make revisions without notice. Approximate measurement. The manufacturer accepts 1/4" (6.35mm) variance.

## AVAILABLE CONFIGURATIONS



Freestanding

## OPTIONS

### Model

- BTP01-L - Freestanding Left
- BTP01-R - Freestanding Right

### Drain Overflow Trim Finish

- Brushed Nickel Drain - No Trim Overflow (#BNNT)
- Brushed Nickel Drain and Overflow (#BN)
- Matte Black Drain - No Trim Overflow (#MBNT)
- Matte Black Drain and Overflow (#MB)
- Polished Chrome Drain - No Trim Overflow (#PCNT)
- Polished Chrome Drain and Overflow (#PC)
- Satin Brass Drain - No Trim Overflow (#SBNT)
- Satin Brass Drain and Overflow (#SB)

### WETMAR BiO Finish

- White Dual (#DA)
- White Matte (#MA)
- White True High Gloss (#GA)

### Plumbing Connection

- Copper/Brass Connection - local code dependant (#COP)
- Standard ABS Connection

## CODES/STANDARDS APPLICABLES

IAPMO-ANSI Z124.1  
IAPMO-ANSI Z124.3  
CSA B 45.0  
CSA B 45.4  
Mass Board Approved

## FAUCET AREA RECOMMENDED

Wall-mounted or floor-mounted