



**Bathtub Shower Combo**

# BLB03

LAB COLLECTION

**Design** Pierre Bélanger and WETSTYLE Design Lab

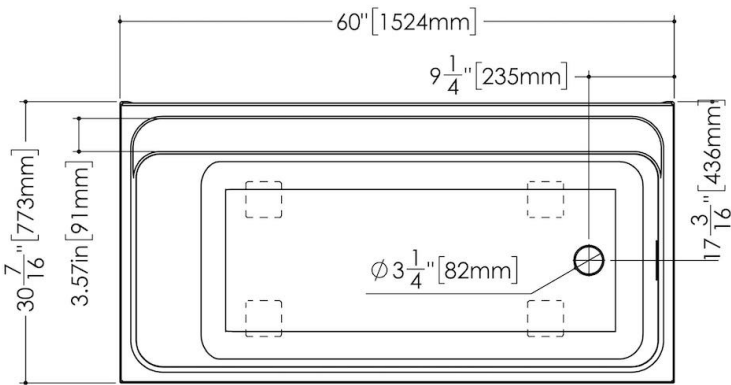


## FEATURES

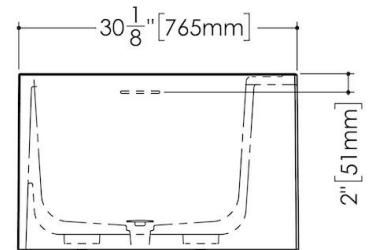
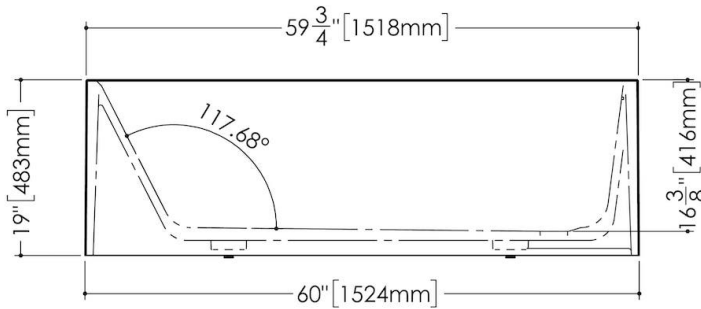
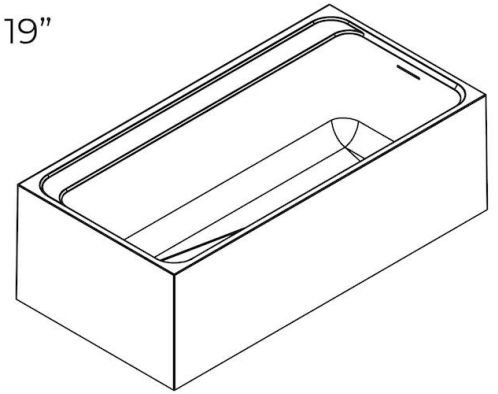
- Handcrafted in Montreal, Canada
- Integral Overflow with or without decorative trim
- Heat Retentive Material
- Soft Toe Touch End Drain
- Plug & Bath™ Drain Connection For Quick Installation
- Bathtub can be used as a bathtub/shower combination

## TECHNICAL DETAILS

- **Width:** 60"
- **Length:** 30"
- **Height:** 19"
- **Weight:** 267 lbs / 121 kg



BLB 03  
60" x 30" x 19"



WETSTYLE cannot be held responsible for any technical errors and reserves the right to make revisions without notice. Approximate measurement. The manufacturer accepts 1/4" (6.35mm) variance.

## OPTIONS

### Model

- BLB0302 - Back Wall
- BLB0304 - Left and Back Walls
- BLB0305 - Right and Back Walls
- BLB0306

### Drain Overflow Trim Finish

- Brushed Nickel Drain - No Trim Overflow (#BNNT)
- Brushed Nickel Drain and Overflow (#BN)
- Matte Black Drain - No Trim Overflow (#MBNT)
- Matte Black Drain and Overflow (#MB)
- Matte Black Drain and Polished Chrome Overflow (#MBPC)
- Polished Chrome Drain - No Trim Overflow (#PCNT)
- Polished Chrome Drain and Overflow (#PC)
- Satin Brass Drain - No Trim Overflow (#SBNT)
- Satin Brass Drain and Overflow (#SB)
- White Drain - No Trim Overflow (#WHNT)
- White Drain and Polished Chrome Overflow (#WHPC)

### WETMAR BiO Finish

- Black Matte (#MBL)
- Stone Harbour Grey Matte (#MGR)
- White Dual (#DA)
- White Matte (#MA)
- White True High Gloss (#GA)

### Plumbing Connection

- Copper/Brass Connection - local code dependant (#COP)
- Standard ABS Connection

## NOTES

IMPORTANT - BATHTUB INSTALLATION SUPPLIES: A 1/4" tile flange will be supplied to comply with the requested position. Installed at the factory to prevent water leakage, this must be placed directly on the partition framing prior to the installation of drywall.