



Bathtubs

BLB 02

LAB COLLECTION

Design Pierre Bélanger and WETSTYLE Design Lab

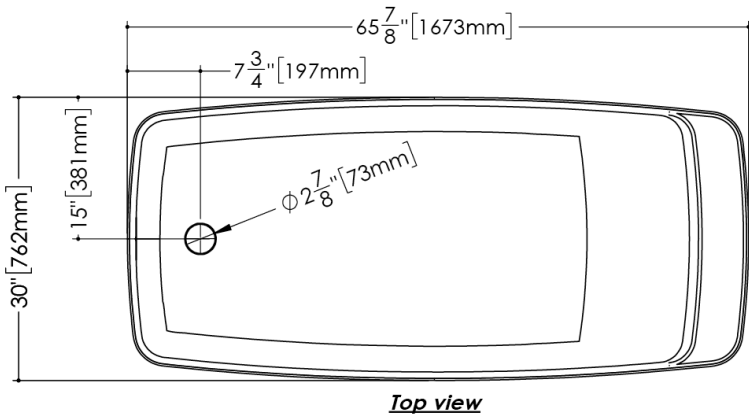


FEATURES

- Handcrafted in Montreal, Canada
- Practical integrated deck for toiletries
- Integrated overflow
- Soft toe touch drain
- Plug & Bathe drain connection for quick install

TECHNICAL DETAILS

- **Width:** 30"
- **Length:** 65.87"
- **Height:** 24"
- **Weight:** 305 lbs / 138 kg



WETSTYLE Plug & Bathe™ overflow and drain connection system includes:



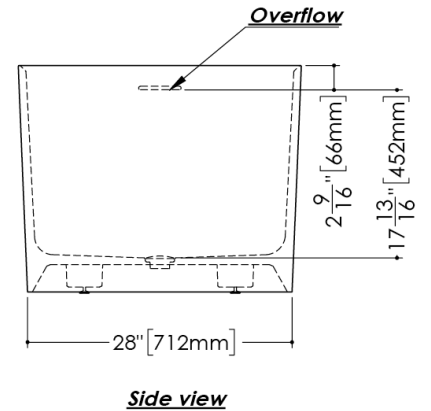
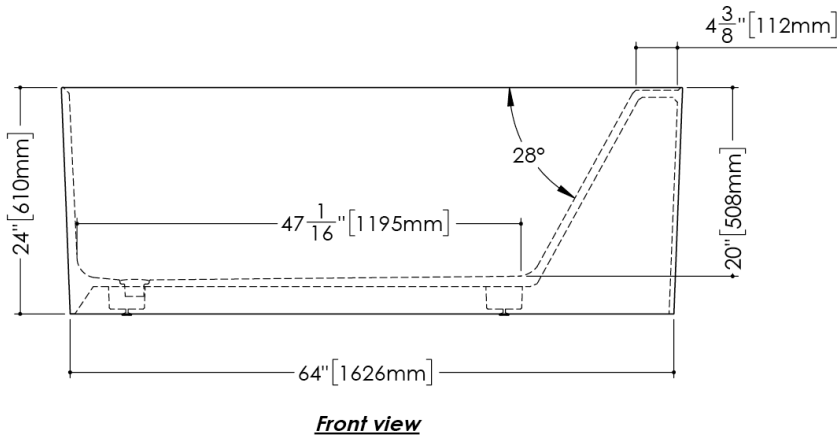
Soft-touch pop-up drain, for built-in overflow. Fits both 1 – ½" ABS drain waste and 1 – ½" tubular brass



1 – ½" ABS direct vertical drain waste fitting (copper/brass options also available)



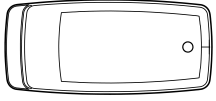
1 – ½" ABS 90° Elbow drain waste fitting (copper/brass options also available)



BLB 02

WETSTYLE cannot be held responsible for any technical errors and reserves the right to make revisions without notice. Approximate measurement. The manufacturer accepts ¼" (6.35mm) variance.

AVAILABLE CONFIGURATIONS



BLB02 - Freestanding

OPTIONS

Model

- BLB02 - Freestanding

Drain Overflow Trim Finish

- Brushed Nickel Drain - No Trim Overflow (#BNNT)
- Brushed Nickel Drain and Overflow (#BN)
- Matte Black Drain - No Trim Overflow (#MBNT)
- Matte Black Drain and Overflow (#MB)
- Polished Chrome Drain - No Trim Overflow (#PCNT)
- Polished Chrome Drain and Overflow (#PC)
- Satin Brass Drain - No Trim Overflow (#SBNT)
- Satin Brass Drain and Overflow (#SB)
- White Drain - No Trim Overflow (#WHNT)
- White Drain and Polished Chrome Overflow (#WHPC)

WETMAR BiO Finish

- Black Matte (#MBL)
- Stone Harbour Grey Matte (#MGR)
- White Dual (#DA)
- White Matte (#MA)
- White True High Gloss (#GA)

Plumbing Connection

- Copper/Brass Connection - local code dependant (#COP)
- Standard ABS Connection

FAUCET AREA RECOMMENDED

Bath deck or floor-mounted