



Bathtubs

BLB 01

LAB COLLECTION

Design Pierre Bélanger and WETSTYLE Design Lab

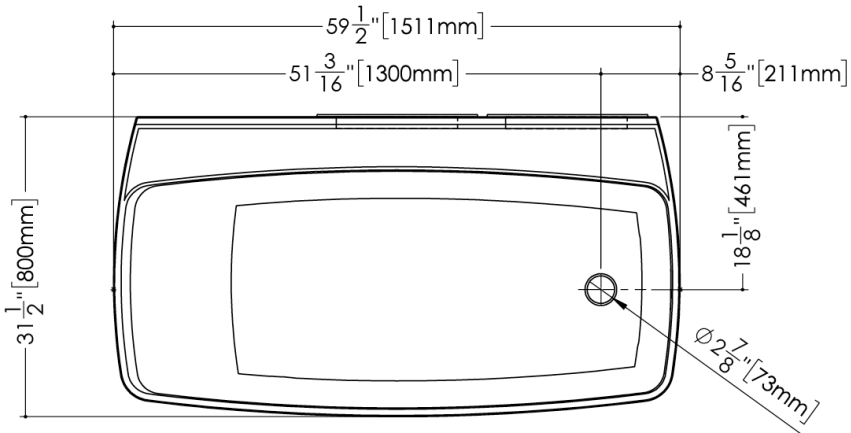


FEATURES

- Handcrafted in Montreal, Canada
- Practical integrated deck for toiletries
- Integrated overflow
- Soft toe touch drain
- Plug & Bathe drain connection for quick install

TECHNICAL DETAILS

- **Width:** 31.5"
- **Length:** 59.5"
- **Height:** 24"
- **Weight:** 300 lbs / 136 kg



WETSTYLE Plug & Bathe™ overflow and drain connection system includes:



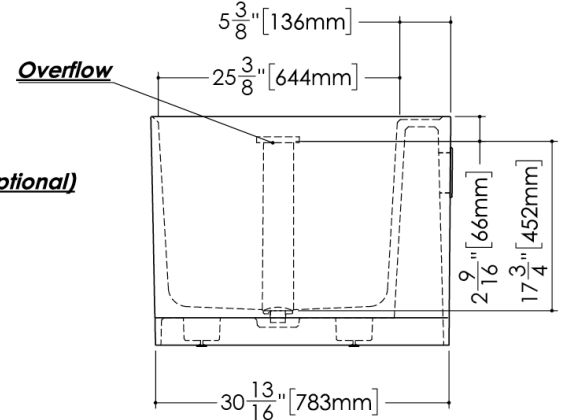
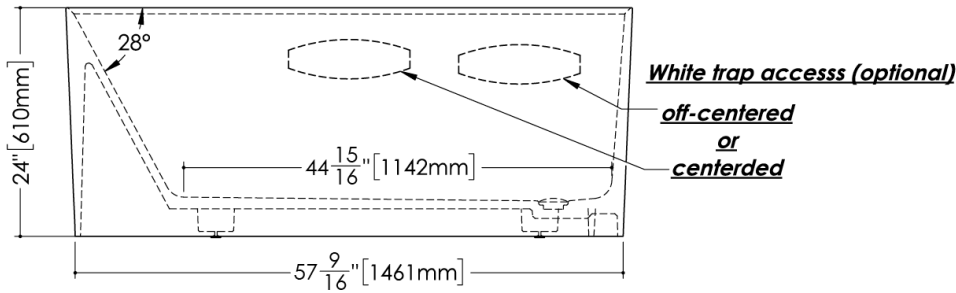
Soft-touch pop-up drain, for built-in overflow. Fits both 1 – ½" ABS drain waste and 1 – ½" tubular brass



1 – ½" ABS direct vertical drain waste fitting (copper/brass options also available)



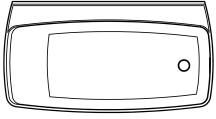
1 – ½" ABS 90° Elbow drain waste fitting (copper/brass options also available)



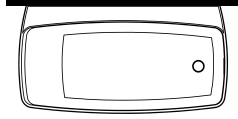
BLB 01

WETSTYLE cannot be held responsible for any technical errors and reserves the right to make revisions without notice. Approximate measurement. The manufacturer accepts ¼" (6.35mm) variance.

AVAILABLE CONFIGURATIONS



BLB0101 -
Freestanding



BLB0102 - Back Wall

OPTIONS

Model

- BLB0101 - Freestanding
- BLB0102 - Back Wall

Drain Overflow Trim Finish

- Brushed Nickel Drain - No Trim Overflow (#BNNT)
- Brushed Nickel Drain and Overflow (#BN)
- Matte Black Drain - No Trim Overflow (#MBNT)
- Matte Black Drain and Overflow (#MB)
- Polished Chrome Drain - No Trim Overflow (#PCNT)
- Polished Chrome Drain and Overflow (#PC)
- Satin Brass Drain - No Trim Overflow (#SBNT)
- Satin Brass Drain and Overflow (#SB)
- White Drain - No Trim Overflow (#WHNT)
- White Drain and Polished Chrome Overflow (#WHPC)

WETMAR BiO Finish

- Black Matte (#MBL)
- Stone Harbour Grey Matte (#MGR)
- White Dual (#DA)
- White Matte (#MA)
- White True High Gloss (#GA)

Plumbing Connection

- Copper/Brass Connection - local code dependant (#COP)
- Standard ABS Connection

NOTES

OPTIONAL WHITE TRAP ACCESS (for deck-mounted faucet installation) is available on freestanding model by special order.

IMPORTANT - BATHTUB INSTALLATION SUPPLIES: A 1/4" tile flange will be supplied to comply with the requested position. Installed at the factory to prevent water leakage, this must be placed directly on the partition framing prior to the installation of drywall.