



Bathtubs

BCR 01

COUTURE COLLECTION

Design Patrick Messier

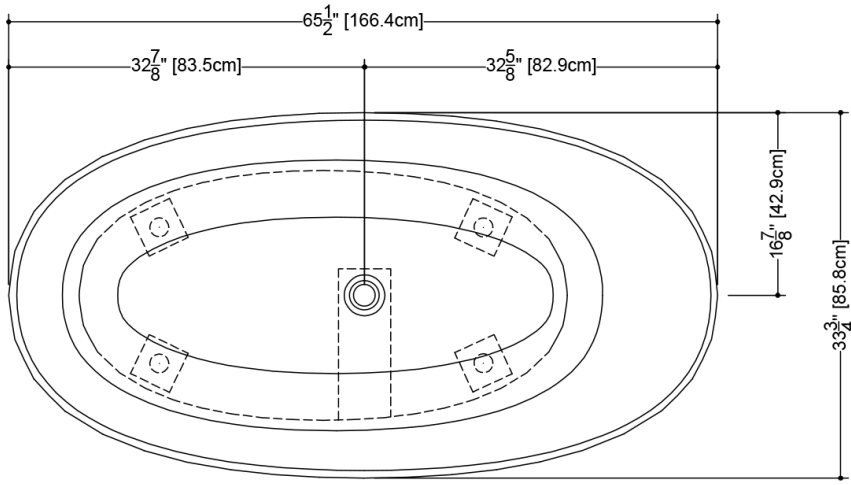


FEATURES

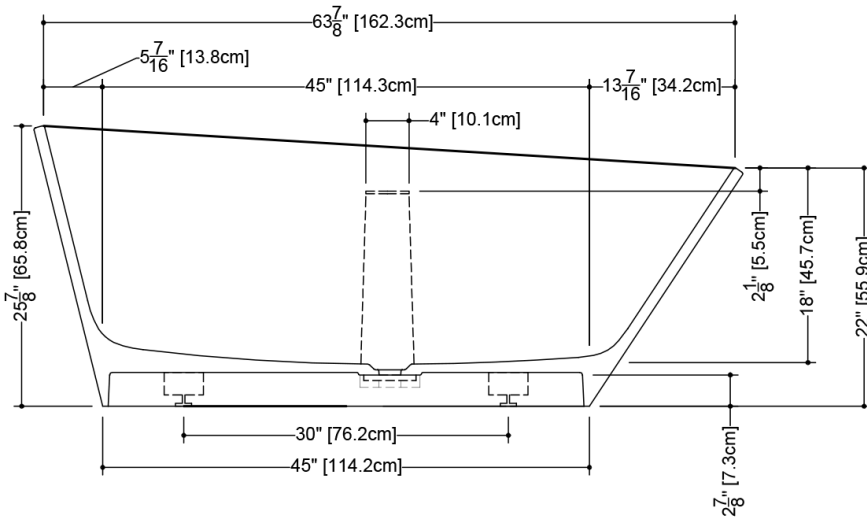
- Handcrafted in Montreal, Canada
- Limited Edition: Only 2000 units to be produced
- Handcrafted in Montreal, Canada
- Integrated overflow
- Soft toe touch drain
- Plug & Bathe drain connection for quick install

TECHNICAL DETAILS

- **Width:** 33.75"
- **Length:** 65.5"
- **Height:** 22.25"
- **Weight:** 179 lbs / 81 kg






plan view

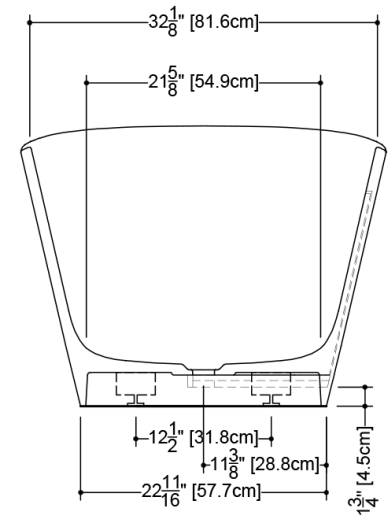


front view

BCR 01

WETSTYLE Plug & Bathe™ overflow and drain connection system includes:

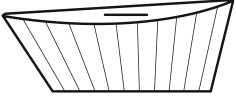
-  Soft-touch pop-up drain, for built-in overflow. Fits both 1-1/2" ABS drain waste and 1-1/2" tubular brass
-  1-1/2" ABS Direct vertical drain waste fitting (copper/brass option also available)
-  1-1/2" ABS 90° Elbow drain waste fitting (copper/brass option also available)



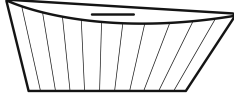
side view

WETSTYLE cannot be held responsible for any technical errors and reserves the right to make revisions without notice. Approximate measurement. The manufacturer accepts 1/4" (6.35mm) variance.

AVAILABLE CONFIGURATIONS



BCR01-L -
Freestanding Left



BCR01-R -
Freestanding Right

OPTIONS

Model

- BCR01-L - Freestanding Left
- BCR01-R - Freestanding Right

Drain Overflow Trim Finish

- Brushed Nickel Drain - No Trim Overflow (#BNNT)
- Brushed Nickel Drain and Overflow (#BN)
- Matte Black Drain - No Trim Overflow (#MBNT)
- Matte Black Drain and Overflow (#MB)
- Polished Chrome Drain - No Trim Overflow (#PCNT)
- Polished Chrome Drain and Overflow (#PC)
- Satin Brass Drain - No Trim Overflow (#SBNT)
- Satin Brass Drain and Overflow (#SB)

WETMAR BiO Finish

- White Dual (#DA)
- White Matte (#MA)
- White True High Gloss (#GA)

Plumbing Connection

- Copper/Brass Connection - local code dependant (#COP)
- Standard ABS Connection

CODES/STANDARDS APPLICABLES

IAPMO-ANSI Z124.1
IAPMO-ANSI Z124.3
CSA B 45.0
CSA B 45.4

FAUCET AREA RECOMMENDED

Wall-mounted or floor-mounted