



**Bathtubs**

# BCLB 01

CLOUD COLLECTION

**Design** Wetstyle Design Lab

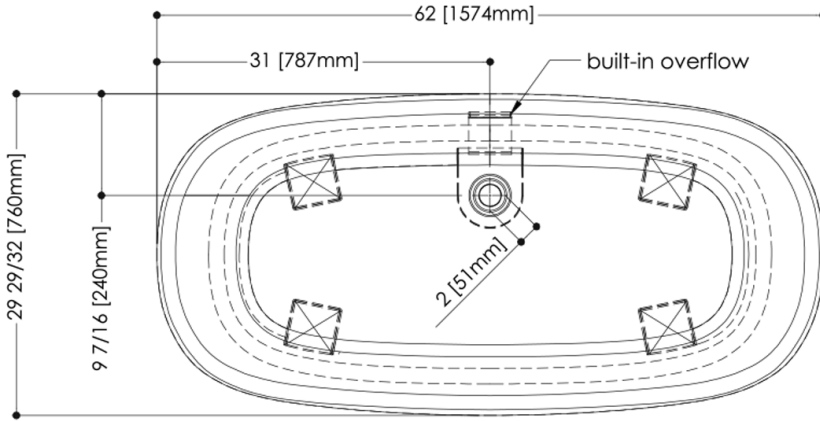


## FEATURES

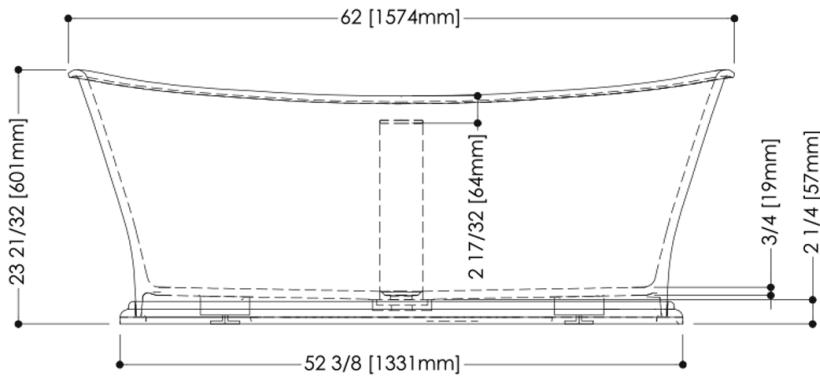
- Handcrafted in Montreal, Canada
- Two back rest inclines: seated and reclined
- Integrated overflow
- Soft toe touch drain
- Plug & Bathe drain connection for quick install

## TECHNICAL DETAILS

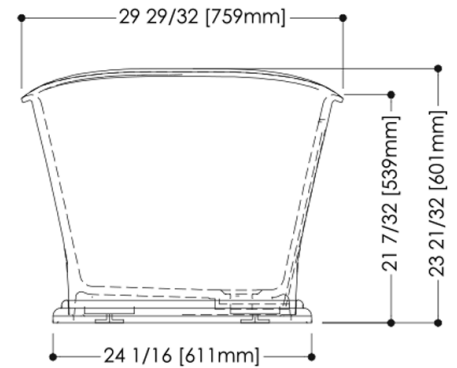
- **Width:** 29.88"
- **Length:** 62"
- **Height:** 22.875"
- **Weight:** 133 lbs / 60 kg



plan view






front view



side view

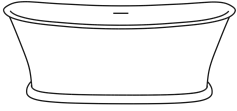
**WETSTYLE Plug & Bathe™ overflow and drain connection system includes:**

-  Soft-touch pop-up drain, for built-in overflow. Fits both 1-1/2" ABS drain waste and 1-1/2" tubular brass
-  1-1/2" ABS Direct vertical drain waste fitting (copper/brass option also available)
-  1-1/2" ABS 90° Elbow drain waste fitting (copper/brass option also available)

**BCLB 01**

WETSTYLE cannot be held responsible for any technical errors and reserves the right to make revisions without notice. Approximate measurement. The manufacturer accepts 1/4" (6.35mm) variance.

## AVAILABLE CONFIGURATIONS



Freestanding

## OPTIONS

### Model

- BCL01B - Freestanding

### Drain Overflow Trim Finish

- Brushed Nickel Drain - No Trim Overflow (#BNNT)
- Brushed Nickel Drain and Overflow (#BN)
- Matte Black Drain - No Trim Overflow (#MBNT)
- Matte Black Drain and Overflow (#MB)
- Polished Chrome Drain - No Trim Overflow (#PCNT)
- Polished Chrome Drain and Overflow (#PC)
- Satin Brass Drain - No Trim Overflow (#SBNT)
- Satin Brass Drain and Overflow (#SB)

### WETMAR BiO Finish

- White Matte (#MA)
- White True High Gloss (#GA)

### Plumbing Connection

- Copper/Brass Connection - local code dependant (#COP)
- Standard ABS Connection

## CODES/STANDARDS APPLICABLES

IAPMO-ANSI Z124.1  
IAPMO-ANSI Z124.3  
CSA B 45.0  
CSA B 45.4

## FAUCET AREA RECOMMENDED

Wall-mounted or floor-mounted