



INSTALLATION GUIDE

**BATHTUBS: PENINSULAR,
CORNER, RECESS AND PODIUM**

GUIA DE INSTALACIÓN

**BAÑERAS: PENINSULAR,
ESQUINERA, EN NICHOS Y PEDESTAL**

Table of Contents

Before you begin P. 3

Bathtub installation

• **Peninsular**  P. 4,5

Models: BC 0102, BC 0202, BC 0302, BC 0402, BC 0502, BC 0802,
BC 0902, BC 1002, BC 1102, BC 1202, BC 1402, BLB 0102.

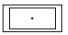
• **Corner**   P. 4,5

left, models: BC 0104, BC 0204, BC 0304, BC 0404, BC 0504, BC 0904,
BC 1004, BC 1104, BC 1204, BC 1404.

Right, models: BC 0105, BC 0205, BC 0305, BC 0405, BC 0505, BC 0905,
BC 1005, BC 1105, BC 1205, BC 1405.

• **Recess**   P. 6, 7, 8

Models: BC 0106, BC 0206, BC 0306, BC 0406, BC 0506, BC 0906,
BC 1006, BC 1106, BC 1206, BC 1406.

• **Drop - in**  P. 9,10,11

Models: BC 0501, BC 0502, BC 0504, BC 0505, BC 0506, BC 0901,
BC 0902, BC 0904, BC 0905, BC 0906.

• **Cleaning guide** P. 12

• **Warranty** P. 12

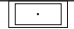
BEFORE YOU BEGIN

Your choice is a testimonial to your excellent taste. Thank you for choosing from among WETSTYLE's quality line of products. We recommend that you carefully read this installation guide to ensure your bathtub's proper operation and reliability for many years to come.

TOOLS AND EQUIPMENT



- THIS BATHTUB IS MADE OF A MIXTURE OF POLYESTER RESIN AND MINERAL DUST. DEPENDING ON THE MODEL, THE TUB'S WEIGHT MAY VARY BETWEEN 55 AND 140 KILOS (120 AND 300 POUNDS). WE RECOMMEND THE INSTALLATION BE DONE BY 2 PEOPLE, AS A SECURITY PRECAUTION. ALSO, MAKE SURE TO ADOPT THE PROPER POSTURE WHEN LIFTING THE TUB.
- ADHERE TO ALL LOCAL BUILDING AND PLUMBING CODES. THE DIAGRAMS IN THIS GUIDE ARE NOT CONSTRUCTION PLANS; THEY ARE VISUAL AIDS.

Bathtub installation - PENINSULAR 

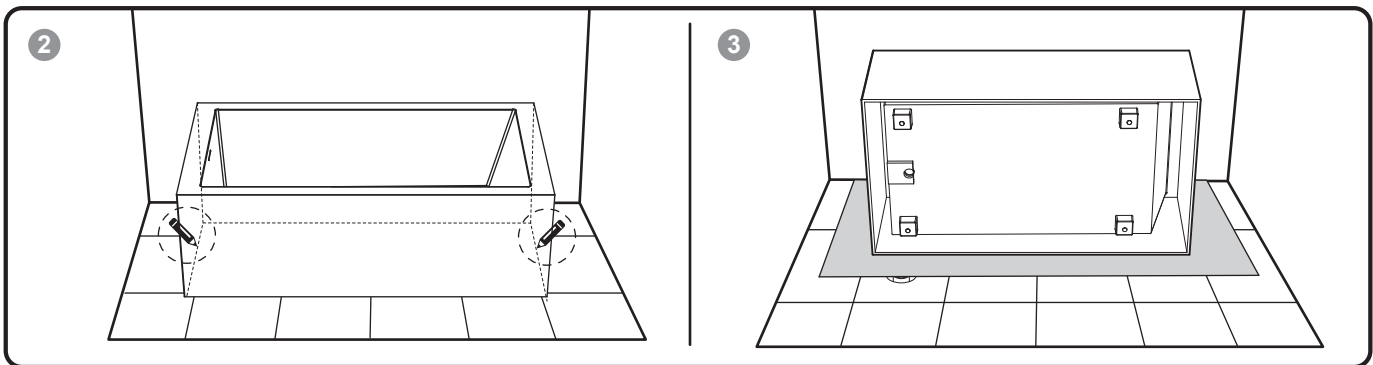
Models: BC 0102, BC 0202, BC 0302, BC 0402, BC 1002, BC 1102, BC 1202, BC 1402 and BLB 0102.

Bathtub installation - CORNER  

Left Models: BC 0104, BC 0204, BC 0304, BC 0404 BC 1004, BC 1104, BC 1204 and BC 1404.

Right Models: BC 0105, BC 0205, BC 0305, BC 0405, BC 1005, BC 1105, BC 1205 and BC 1405.

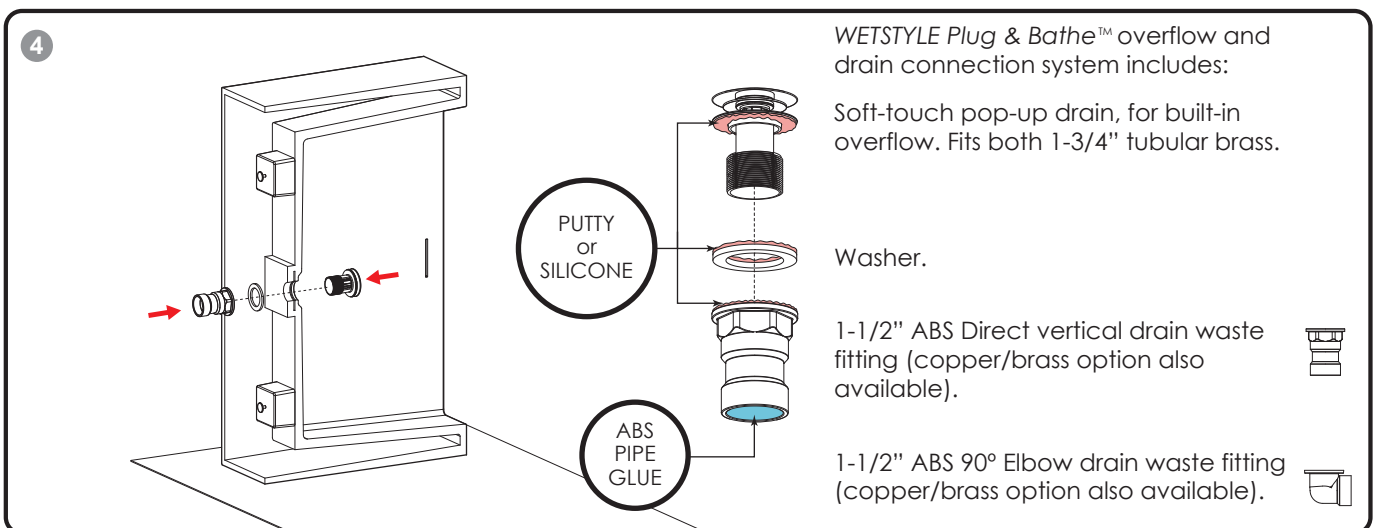
- 1 Decide exactly where you wish to install the bathtub. Clean, level and prepare the floor for installation.
- 2 Place the unit in the exact installed position on the floor and trace the outline of the bath with a pencil or any erasable marking.
- 3 Using a blanket, cardboard, or other clean protective surface, turn the unit on its side so that the unit is properly supported during drain installation.



- 4 Install the basic plumbing components: water inlet and floor drain. These tub models **require a vertical plumbing connection** from the floor.

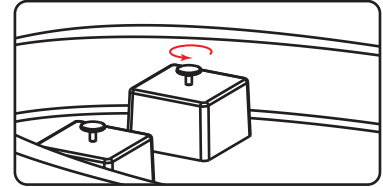
Plug & Bathe™ connection system with slot design overflow and soft toe touch drain installation
Overflow is pre-installed at the factory.

Clean the drain hole area in preparation of setting the drain. The area should be dry and free of any debris. Apply a bead of clear silicone or plumber's putty around the Drain Body and pass it through the drain hole. Apply plumber's putty to the Washer and slide it over the bottom of the Drain Body.



! **IMPORTANT: BC 0302, BC 0402** The faucet cannot be installed on the bathtub. It must be mounted to the wall. Read the manufacturer's instructions for installation details.

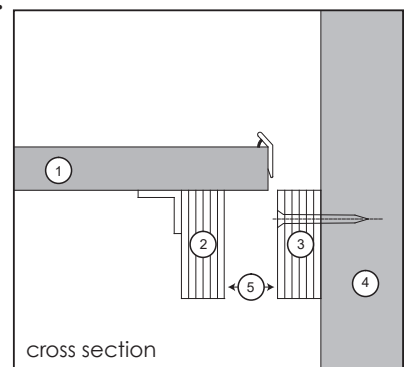
5 Use the 4 levelers supplied to ensure the tub is level. The 4 levelers must touch the ground to ensure that the tub will not shift or move. When adjusting the levelers, allow a slight clearance (1/8") between the finished floor and the apron.



Note: Use a level to ensure accuracy.

! **6 IMPORTANT: BC 0202, BC 0204, BC 0205, BC 0302, BC 0402.** A rear mounting bracket is included with these models. Attach the bracket horizontally to the existing structure at the requisite height.

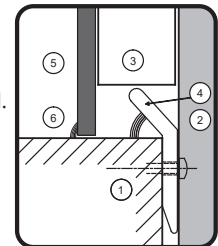
1. Rear deck of tube.
2. Rear reinforcement.
3. Rear mounting bracket.
4. Existing vertical structure.
5. Set the back of the bathtub on the bracket.



ATTENTION: To keep the back ledge from bending and prevent water accumulation, it is essential to install the bracket provided or a comparable one.

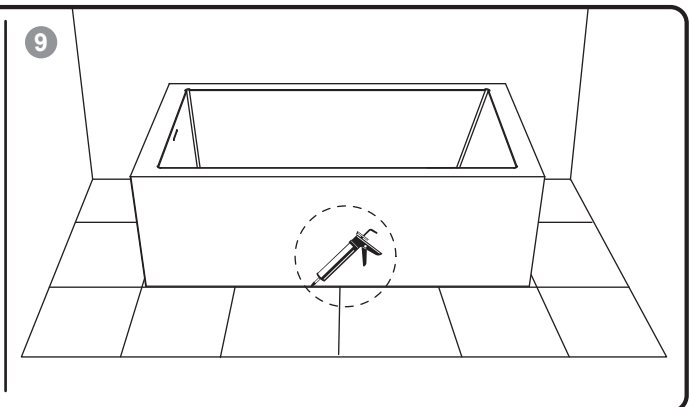
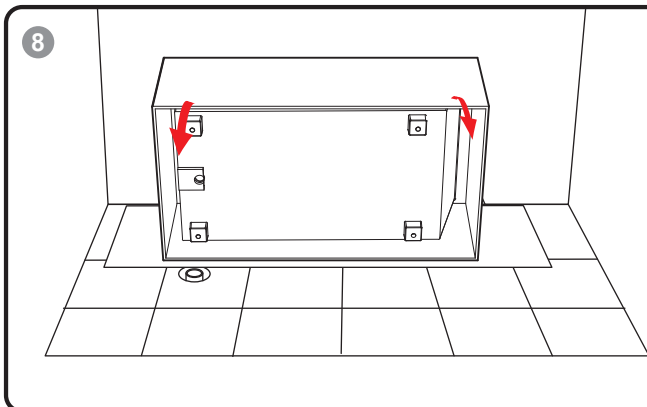
7 Tile Flange: Place the bathtub so that the tile flange rests against the existing wall structure. Install the gypsum plasterboard or cement panels so they just the tile flange.

1. Deck of tub.
2. Existing vertical structure.
3. Gypsum plasterboard panel.
4. Tile flange.
5. Finishing.
6. Pressure seal.



8 Connect the bathtub drain to the floor drain. Hook up the water to the faucet. **Check that all connections are waterproof.**

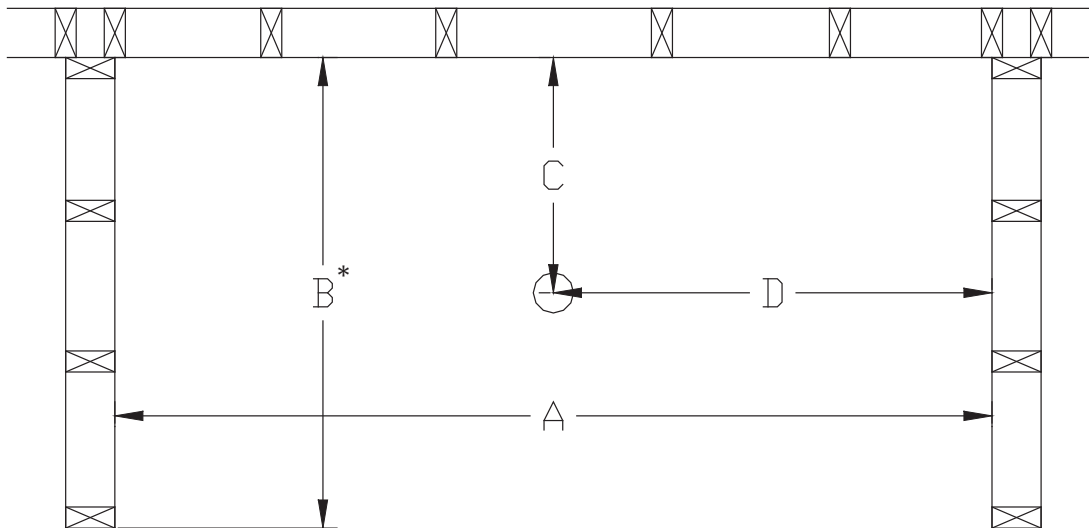
9 Do a silicone joint pressure seal between the base of the bathtub and the floor. **The sealer absolutely must penetrate thoroughly beneath the rim of the apron.** This will ensure that no water seeps underneath the bathtub, while also **supporting** the tub apron.



Bathtub installation - RECESS 

Models: BC 0106, BC 0206, BC 0306, BC 0406, BC 1006, BC 1106, BC 1206, and BC 1406.

Partition construction guide for a recessed installation. This diagram is not a building plan. It should only be used for dimensioning purposes. You can use other building techniques, depending on your specific needs.



The dimensions in the table do not include the gypsum plasterboard or cement panels.

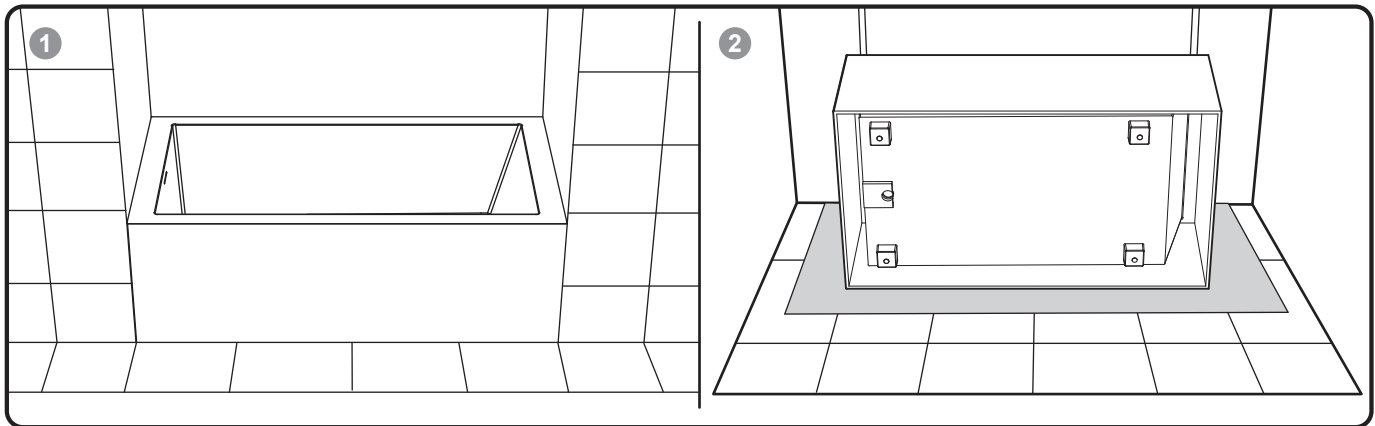
*The dimensions in column B may vary depending on customer preferences. Those indicated above represent the width of the bathtubs, plus 5".

MODEL	A	B*	C	D
BC 0106	72-1/4"	45"	20-1/8"	36-1/8"
BC 0206	72-1/4"	41"	21-1/8"	36-1/8"
BC 0306	72-1/4"	36"	16-1/8"	36-1/8"
BC 0406	62-1/4"	35"	15-1/8"	31-1/8"
BC 1006	66-1/4"	41"	18-1/8"	33-1/8"
BC 1106-L	60-1/4"	37"	16-1/8"	51-1/8"
BC 1106-R	60-1/4"	37"	16-1/8"	9-1/8"
BC 1206-L	66-1/4"	37"	16-1/8"	57-1/8"
BC 1206-R	66-1/4"	37"	16-1/8"	9-1/8"
BC 1406-L	60-1/4"	35"	15-1/8"	51-1/8"
BC 1406-R	60-1/4"	35"	15-1/8"	9-1/8"

Bathtub installation - RECESS 

Models: BC 0106, BC 0206, BC 0306, BC 0406, BC 1006, BC 1106, BC 1206 and BC 1406.

- 1 Decide exactly where you wish to install the bathtub. Build the partitions depending on the bathtub model chose. For inner partition dimensions see the table on the previous page. Clean, level and prepare the floor for installation.
- 2 Using a blanket, cardboard, or other clean protective surface, turn the unit on its side so that the unit is properly supported during drain installation.

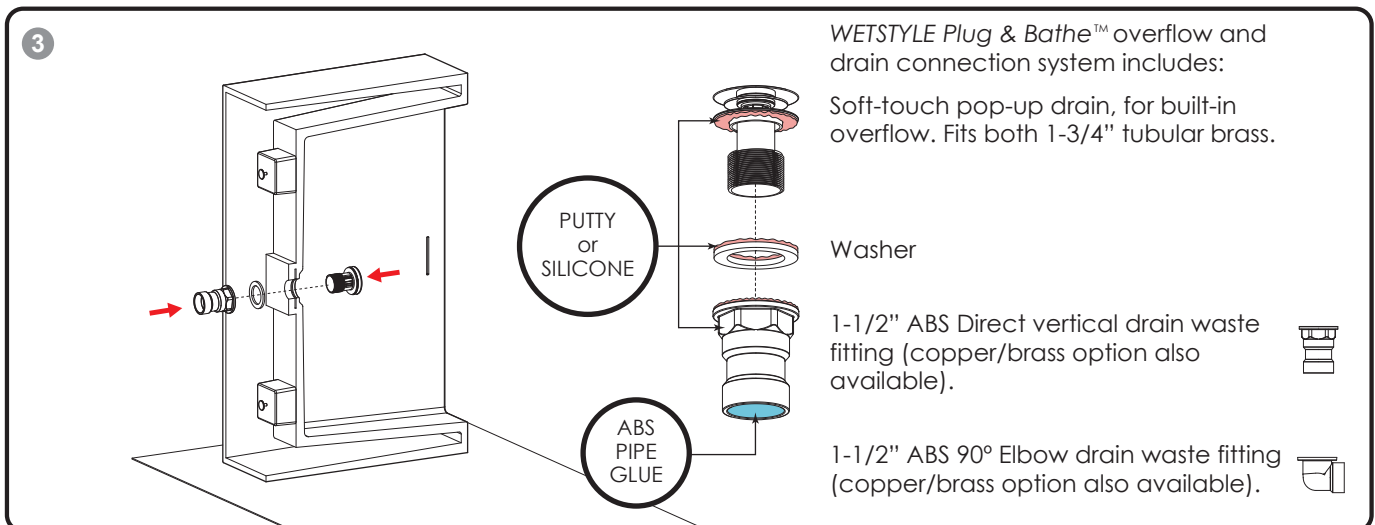


- 3 Install the basic plumbing components: water inlet and floor drain. These tub models **require a vertical plumbing connection** from the floor.

Plug & Bathe™ connection system with slot design overflow and soft toe touch drain installation

Overflow is pre-installed at the factory.

Clean the drain hole area in preparation of setting the drain. The area should be dry and free of any debris. Apply a bead of clear silicone or plumber's putty around the Drain Body and pass it through the drain hole. Apply plumber's putty to the Washer and slide it over the bottom of the Drain Body.

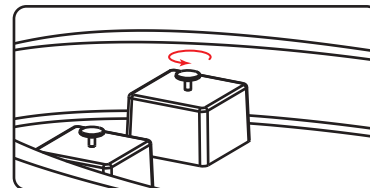




IMPORTANT: BC 0306 and BC 0406. The faucet cannot be installed on the bathtub. It must be mounted to the wall. Read the manufacturer's instructions for installation details.

- 4 Use the 4 levelers supplied to ensure the tub is level. The 4 levelers must touch the ground to ensure that the tub will not shift or move. When adjusting the levelers, allow a slight clearance (1/8") between the finished floor and the apron.

Note: Use a level to ensure accuracy.

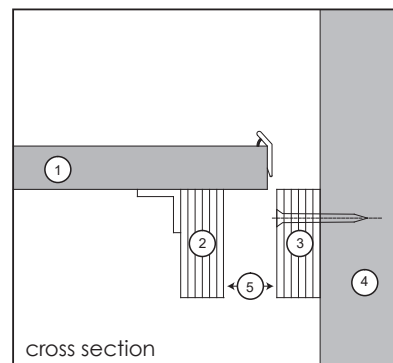


4 IMPORTANT: BC 0206 and BC 0306.

A rear mounting bracket is included with these models. Attach the bracket horizontally to the existing structure at the requisite height.

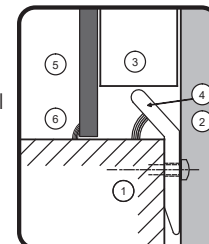
1. Rear deck of tube.
2. Rear reinforcement.
3. Existing vertical structure.
4. set the back of the bathtub on the bracket.

ATTENTION: To keep the back ledge from bending and prevent water accumulation, it is essential to install the bracket provided or a comparable one.



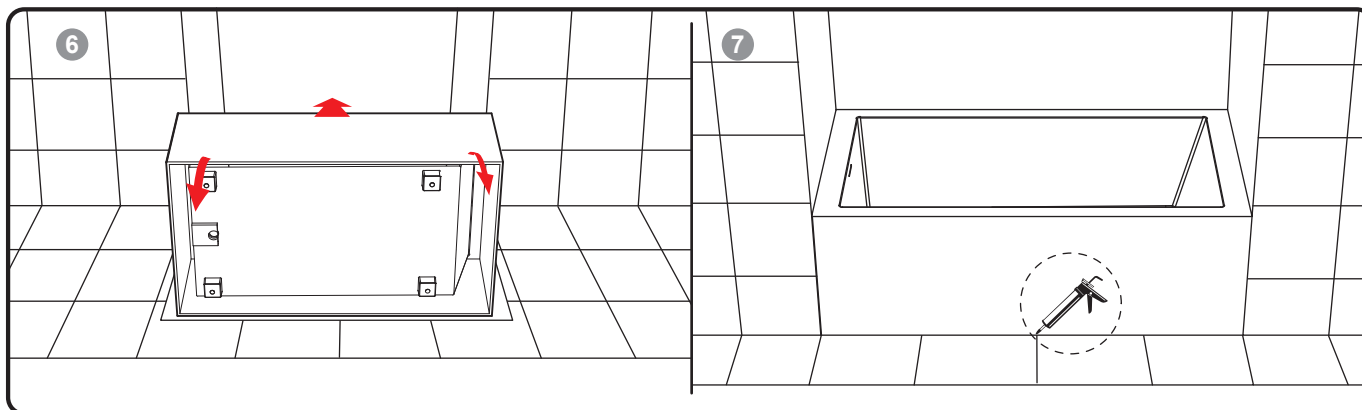
- 5 **Tile Flange:** Place the bathtub so that the tile flange rests against the existing wall structure. Install the gypsum plasterboard or cement panels so they just the tile flange.

1. Deck of tub
2. Existing vertical structure
3. Gypsum plasterboard panel
4. Tile flange
5. Finishing
6. Pressure seal



- 6 Connect the bathtub drain to the floor drain. Hook up the water to the faucet. **Check that all connections are waterproof.**

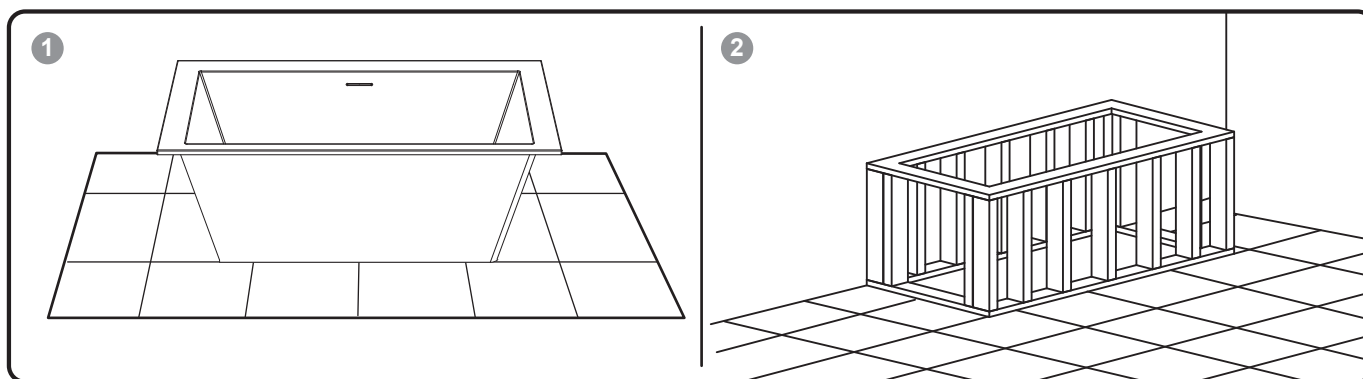
- 7 Do a silicone joint pressure seal between the base of the bathtub and the floor. **The sealer absolutely must penetrate thoroughly beneath the rim of the apron.** This will ensure that no water seeps underneath the bathtub, while also **supporting** the tub apron.



Bathtub installation - DROP-IN

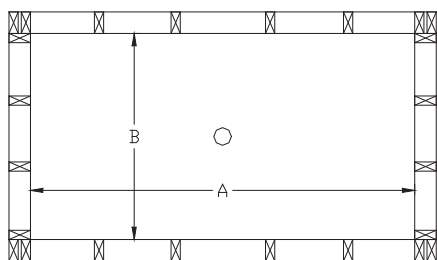
Models: BC 0501, BC 0502, BC 0504, BC 0505, BC 0506, BC 0901, BC 0902, BC 0904, BC 0905 and BC 0906.

- 1 Decide exactly where you wish to install the bathtub. Clean, level and prepare the floor for installation.
- 2 Build the podium partitions depending on the bathtub model chosen. For minimum inner partition dimensions, see the table below. We strongly recommend planning for the installation of an access panel (to plumbing) when building the podium.



DROP-IN PODIUM

Models: BC 0501, and BC 0901.

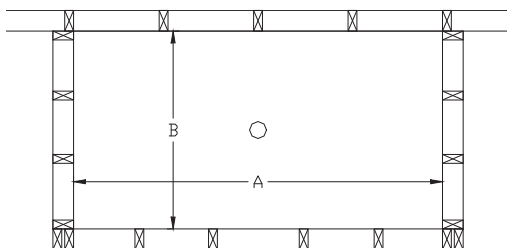


MODEL	A	B
BC 0501	60"	28"
BC 0901	52-1/2"	25"

The dimensions in the table are the minimums required to enable installation of the tub. They may vary based on customer requirements.

DROP-IN PENINSULAR

Models: BC 0502, and BC 0902.



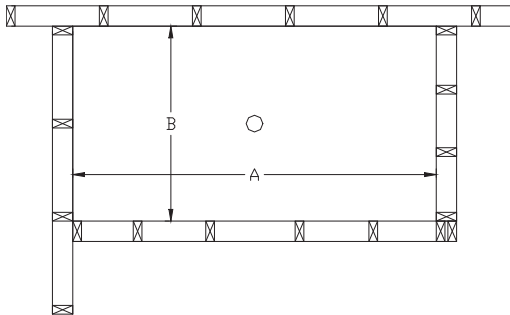
MODEL	A	B
BC 0502	60"	28"
BC 0902	52-1/2"	25"

The dimensions in the table are the minimums required to enable installation of the tub. They may vary based on customer requirements.

DROP-IN CORNER

Left - Models: BC 0504, and BC 0904.

Right - Models: BC 0505 and BC 0905.

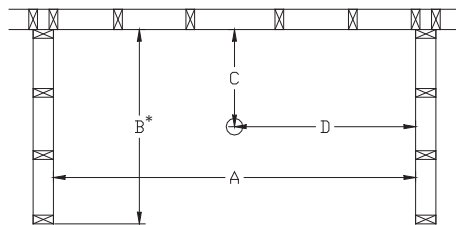


MODEL	A	B
BC 05	60"	28"
BC 09	52-1/2"	25"

The dimensions in the table are the minimums required to enable installation of the tub. They may vary based on customer requirements.

DROP-IN RECESS

Models: BC 0506, and BC 0906.

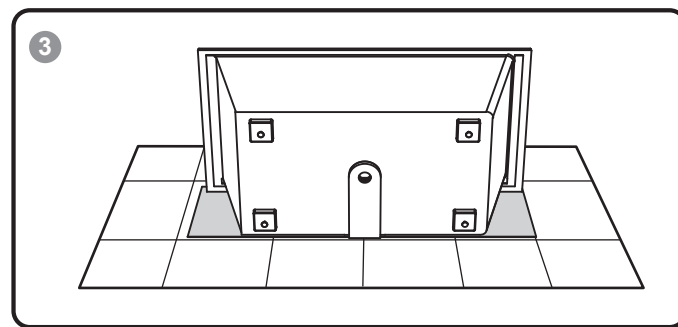


MODEL	A	B*	C	D
BC 0506	72-1/4"	45"	20-1/8"	36-1/8"
BC 0906	60-1/4"	35"	16-1/8"	30-1/8"

The dimensions in the table do not include the gypsum plasterboard or cement panels.

*The dimensions in column B may vary depending on customer preferences. Those indicated above represent the width of the bathtubs, plus 5".

- Using a blanket, cardboard, or other clean protective surface, turn the unit on its side so that the unit is properly supported during drain installation.



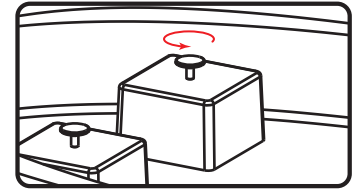
- Install the basic plumbing components: water inlet and floor drain. These tub models **require a vertical plumbing connection** from the floor.

Plug & Bathe™ connection system with slot design overflow and soft toe touch drain installation

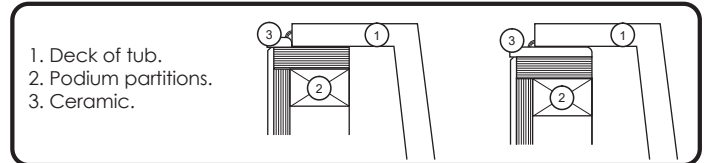
Overflow is pre-installed at the factory .

Clean the drain hole area in preparation of setting the drain. The area should be dry and free of any debris. Apply a bead of clear silicone or plumber's putty around the Drain Body and pass it through the drain hole. Apply plumber's putty to the Washer and slide it over the bottom of the Drain Body. Please refer to P.4 of this installation guide for pictures.

- 5 Place the bathtub within the frame so that its rims are properly seated on the frame. Once the tub is in place, make sure the levelers are properly sitting on the floor, so that the tub's entire weight does not rest on the rims. This could damage your bathtub.



Note: Use a level to ensure accuracy.

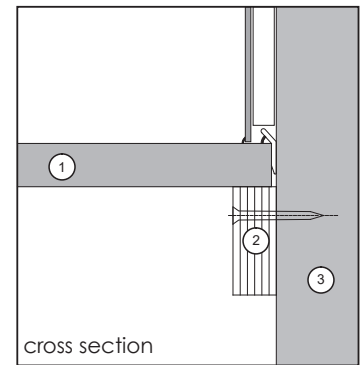


6 **IMPORTANT: BC 05, and BC 09**

A mounting bracket must be installed with these models. Attach the bracket horizontally to the existing structure at the requisite height. Install on all sides of the tub that are against a wall.

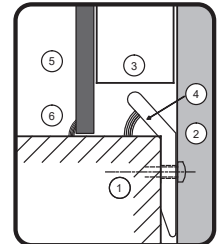
- 1. Deck of tub.
- 2. Deck reinforcement, use 3/4" plywood or 2x3 stud; not supplied.
- 3. Existing vertical structure.

ATTENTION: To keep the back ledge from bending and prevent water accumulation, it is essential to install such a bracket.



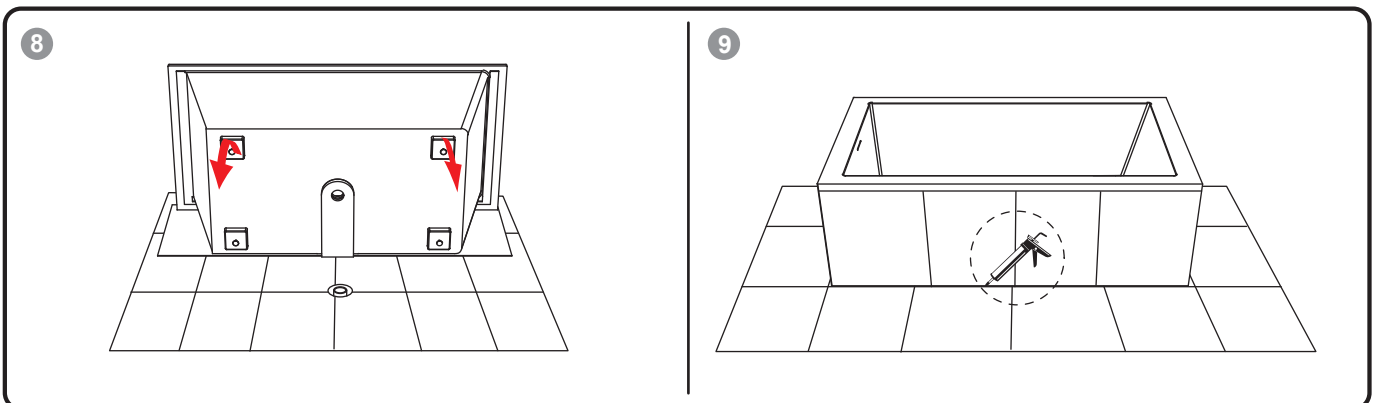
- 7 **Tile Flange:** Place the bathtub so that the tile flange rests against the existing wall structure. Install the gypsum plasterboard or cement panels so they just the tile flange.

- 1. Deck of tub
- 2. Existing vertical structure
- 3. Gypsum plasterboard panel
- 4. Tile flange
- 5. Finishing
- 6. Pressure seal



- 8 Connect the bathtub drain to the floor drain. Hook up the water to the faucet. **Check that all connections are waterproof.**

- 9 Do a silicone joint pressure seal between the bathtub and the finished surfaces.



CLEANING GUIDE

All WETSTYLE products are manufactured with **WETMAR BiO™**; an ultra-smooth, non-porous material that helps keep grime and calcium deposits in check.

WETMAR BiO™ is ultra-easy to clean: after each use, simply wipe with a soft cloth to remove any surface dirt.

For standard cleaning of both glossy and matte finishes, we recommend using widely available cleaning products such as Mr. Clean, Fantastik, CIF, etc. The **matte finish** may occasionally require a mildly abrasive product.

Never use petroleum-based products when cleaning, i.e. paint thinners or other solvents, as they may damage the **WETMAR BiO™** surface. (Note: Personal hygiene products and cosmetics will NOT damage the surface.)

Standard Cleaning

WETMAR BiO™, True High Gloss™.

Wipe surface with a soft cloth after each use.

Use a mild cleaning product such as Mr. Clean, Fantastik, CIF, etc.

Do not use abrasive products or cream cleansers.

WETMAR BiO™, matte finish

Wipe surface with a soft cloth after each use.

Use a mild cleaning product such as Mr. Clean, Fantastik, CIF, etc.

For more difficult stains, use a mildly abrasive cream cleanser such as Soft Scrub, Comet Soft Cleanser, Cream with Bleach or CIF.

Scratched Or Damaged Surfaces

To repair scratched or damaged surfaces, sand the area using 600 - 800 - and 1200 - grit sandpaper, beginning with the lower number (coarser) grit and then following with the higher number (finer) grit in ascending order. Finish by polishing the surface using a cloth and white polishing compound for automobiles.

Repairs

For more extensive repairs, send a photograph of your WETSTYLE product to our Customer Service Department (service@wetstyle.com), who will inform you as to the most appropriate methods to use.

WARRANTY

WETSTYLE's warranty on **WETMAR BiO™ products** covers all defects in materials and manufacturing for a period of five years.

WETSTYLE's warranty on **furniture and accessories** covers all defects in materials and manufacturing for a period of one year.

This limited warranty, starting on the original purchase date, is only offered to the original purchaser who acquires the product directly from WETSTYLE or from its authorized dealers.

This limited warranty does not apply to cases in which a product was incorrectly installed, nor to damage due to negligence, misuse, thermal shock, cigarette burn, fire, natural catastrophes or other accidents.

This limited warranty does not extend to products purchased over the Internet from non authorized WETSTYLE distributors.

This limited warranty does not extend to products purchased from non authorized WETSTYLE distributors or sub-dealers.

WETSTYLE is not responsible for costs and claims that may arise from purchase of a product unsuited to the structure of the existing building.

Any transformation or alteration made to a WETSTYLE product automatically voids the warranty.

The manufacturer's warranty is limited to repair or replacement (with a product of equal value), provided the claim is made to an authorized dealer or directly to WETSTYLE within the warranty period. Labour costs and any other expenses entailed by replacement of a WETSTYLE product are not covered by the warranty.

WETSTYLE products are certified CSA B45.0, CSA B45.4, ANSI Z124.1 and ANSI A124.3

Tabla de contenido

Antes de empezar P. 3

Instalación de bañeras

• **Peninsular**  P. 4,5

Modelos: BC 0102, BC 0202, BC 0302, BC 0402, BC 0502, BC 0802,
BC 0902, BC 1002, BC 1102, BC 1202, BC 1402, BLB 0102.

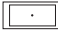
• **Esquinera**   P. 4,5

Modelos izquierdos: BC 0104, BC 0204, BC 0304, BC 0404, BC 0504, BC 0904,
BC 1004, BC 1104, BC 1204, BC 1404.

Modelos derechos: BC 0105, BC 0205, BC 0305, BC 0405, BC 0505, BC 0905,
BC 1005, BC 1105, BC 1205, BC 1405.

• **En nicho**   P. 6, 7, 8

Modelos: BC 0106, BC 0206, BC 0306, BC 0406, BC 0506, BC 0906,
BC 1006, BC 1106, BC 1206, BC 1406.

• **Pedestal**  P. 9,10,11

Modelos: BC 0501, BC 0502, BC 0504, BC 0505, BC 0506, BC 0901,
BC 0902, BC 0904, BC 0905, BC 0906.

• **Guía de mantenimiento** P. 12

• **Garantía** P. 12

ANTES DE EMPEZAR

Su elección es un testimonio de su excelente gusto. Gracias por elegir la línea de productos de calidad de WETSTYLE. Le recomendamos que lea detenidamente esta guía de instalación para garantizar el funcionamiento y la fiabilidad adecuada de su mueble durante muchos años.

HERRAMIENTAS Y EQUIPO



- ESTA BAÑERA ESTÁ HECHA DE UNA MEZCLA DE RESINA DE POLIÉSTER Y POLVO MINERAL. SEGUN EL MODELO, EL PESO DE LA BAÑERA PUEDE VARIAR ENTRE 55 y 140 KILOGRAMOS (120 y 300 LIBRAS). RECOMENDAMOS QUE LA INSTALACIÓN SE REALICE POR 2 PERSONAS, COMO PRECAUCIÓN DE SEGURIDAD. TAMBIÉN, ASEGÚRESE DE ADOPTAR LA POSTURA CORRECTA AL LEVANTAR LA TINA.
- RESPETAR TODOS LOS CÓDIGOS DE FONTANERÍA Y DE CONSTRUCCIÓN LOCAL. LOS DIAGRAMAS EN ESTA GUÍA NO SON PLANOS DE CONSTRUCCIÓN; SON AYUDAS VISUALES.

Instalación de bañera - PENINSULAR

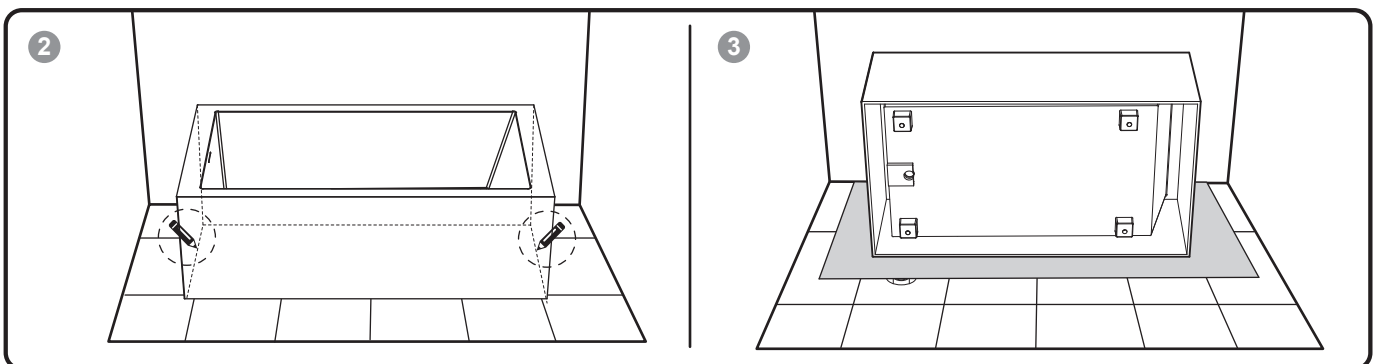
Modelos: BC 0102, BC 0202, BC 0302, BC 0402, BC 1002, BC 1102, BC 1202, BC 1402 y BLB 0102.

Instalación de bañera - ESQUINERA

Modelos izquierdos: BC 0104, BC 0204, BC 0304, BC 0404 BC 1004, BC 1104, BC 1204 y BC 1404.

Modelos derechos: BC 0105, BC 0205, BC 0305, BC 0405, BC 1005, BC 1105, BC 1205 y BC 1405.

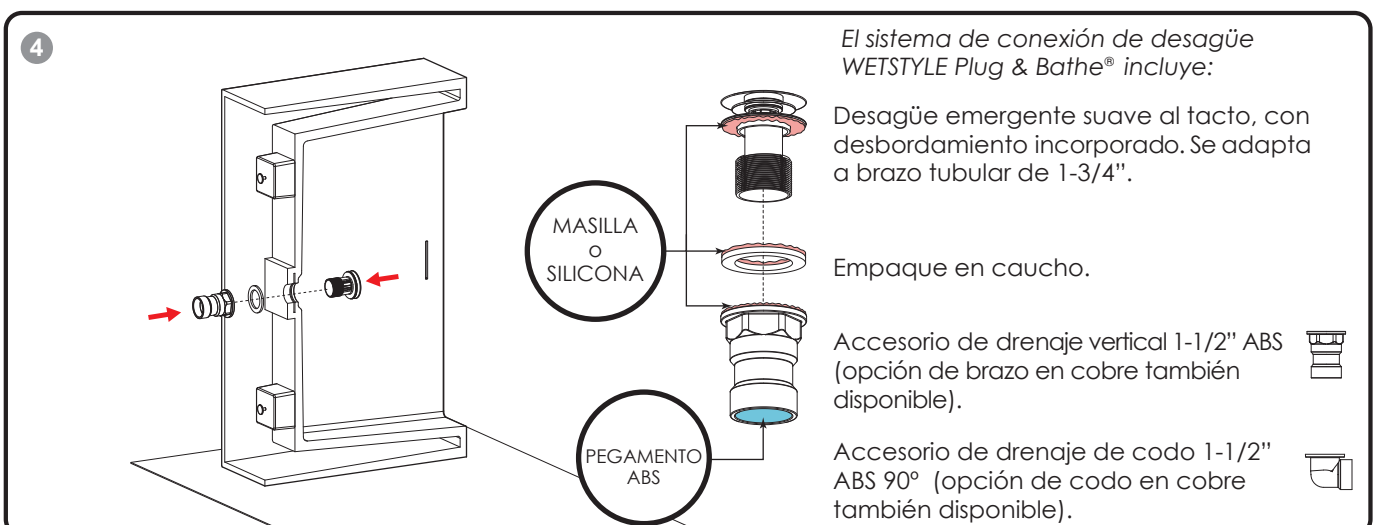
- 1 Decida exactamente dónde desea instalar la bañera. Limpie, nivele y prepare el piso para la instalación.
- 2 Coloque la unidad sobre el piso en la posición exacta para instalar y trace el contorno de la bañera con un lápiz o cualquier marcador borrable.
- 3 Con una manta, cartón u otra superficie protectora limpia, gire la unidad de lado para que quede correctamente apoyada durante la instalación del drenaje.



- 4 Instale los componentes básicos de plomería: entrada de agua y drenaje del piso. Estos modelos de bañera **requieren una conexión de plomería vertical** desde el piso.

Sistema de conexión Plug & Bathe® con desbordamiento de ranura y drenaje suave al tacto. El desbordamiento incorporado está preinstalado por WETSTYLE.

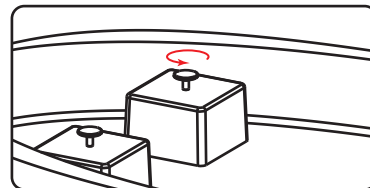
Limpie el área del orificio de desagüe de la bañera para preparar el drenaje. El área debe estar seca y libre de escombros. Aplique una gota de silicona transparente o masilla de plomero alrededor del cuerpo de drenaje y páselo a través del orificio de drenaje. Aplique masilla de plomero al empaque en caucho y deslícelo sobre la parte inferior del cuerpo del desagüe.





IMPORTANTE: BC 0302 y BC 0402 El grifo no se puede instalar en la bañera. Debe montarse en la pared o en el piso. Lea las instrucciones del fabricante para los detalles de instalación.

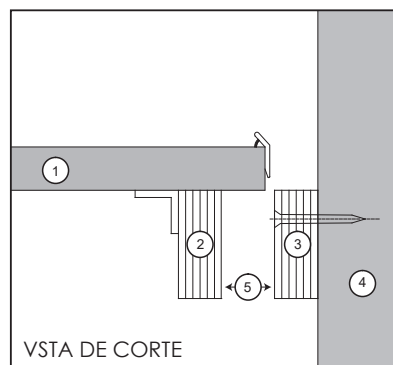
- 5 Use los 4 niveladores suministrados para asegurarse de que la bañera esté nivelada. Los 4 niveladores deben tocar el suelo para garantizar que la bañera no mueva. Al ajustar los niveladores, deje un ligero espacio libre de (1/8 ") entre el piso y la plataforma de la bañera.



Nota: Use un nivel para garantizar la precisión.

- 6 **IMPORTANTE: BC 0202, BC 0204, BC 0205, BC 0302 y BC 0402.** Se incluye un soporte de montaje trasero con estos modelos. Fije el soporte horizontalmente a la estructura existente a la altura requerida.

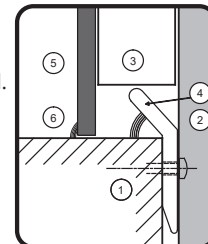
1. Cubierta trasera de la bañera.
2. Refuerzo trasero.
3. Soporte de montaje trasero.
4. Estructura vertical existente.
5. Coloque la parte posterior de la bañera en el soporte.



ATENCIÓN: Para evitar que la repisa trasera se doble y evitar la acumulación de agua, es esencial instalar el soporte proporcionado o uno similar.

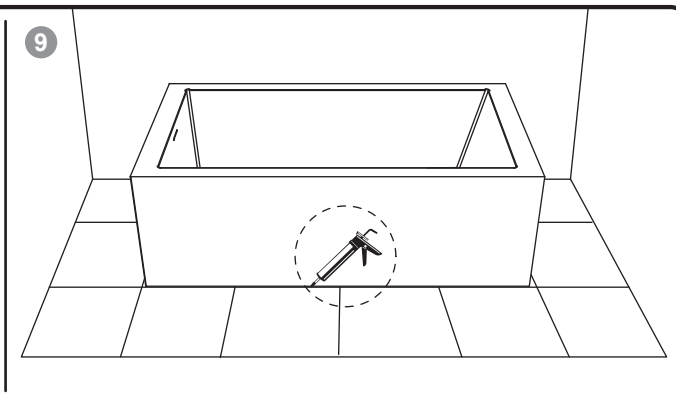
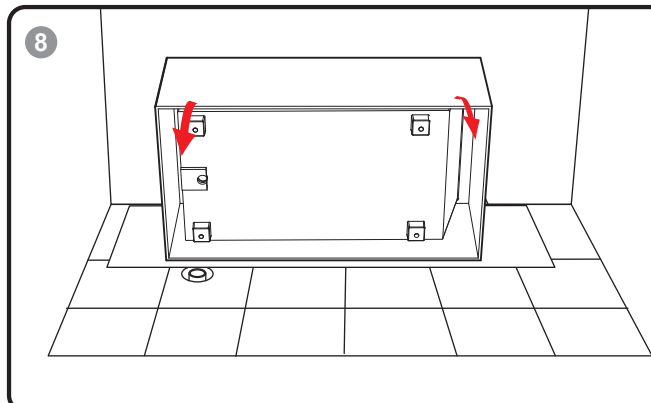
- 7 **Moldura:** Coloque la bañera de modo que la moldura descansa contra la estructura de la pared existente. Instale los paneles de yeso o de cemento de modo que estos entren en ligero contacto con la moldura.

1. Cubierta de bañera.
2. Estructura vertical existente.
3. Gypsum plasterboard panel.
4. Panel de yeso-cartón.
5. Refinamiento.
6. Sello de presión.



- 8 Conecte el desagüe de la bañera al desagüe del piso. Conecte el agua al grifo. **Verifique que todas las conexiones sean impermeables.**

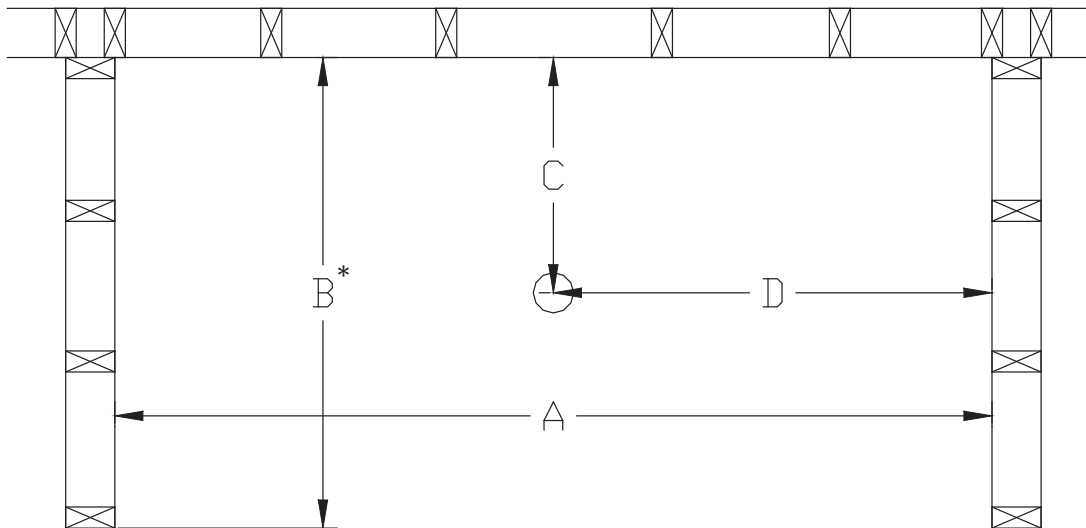
- 9 Haga un sello de presión de junta de silicona entre la base de la bañera y el piso. **El sellador debe penetrar completamente debajo del borde de la base.** Esto asegurará que no se filtre agua debajo de la bañera, mientras que también apoya el delantal de la bañera.



Instalación de bañera - EN NICHO 

Modelos: BC 0106, BC 0206, BC 0306, BC 0406, BC 1006, BC 1106, BC 1206 y BC 1406.

Guía de construcción de particiones para una instalación empotrada. Este diagrama no es un plan de construcción. solo debe usarse para propósitos de dimensionamiento. Puede utilizar otras técnicas de construcción, según sus necesidades específicas.



Las dimensiones de la tabla no incluyen paneles de yeso o paneles de cemento.

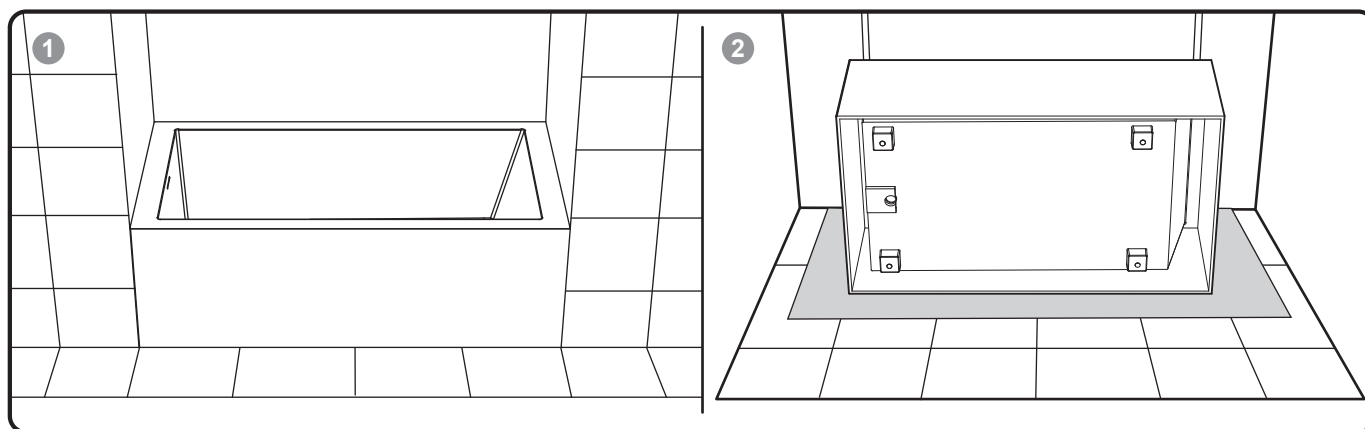
*Las dimensiones en la columna B pueden variar según las preferencias del cliente. Los indicaciones de arriba representan el ancho de las bañeras más 5 ''.

MODELO	A	B*	C	D
BC 0106	72-1/4''	45''	20-1/8''	36-1/8''
BC 0206	72-1/4''	41''	21-1/8''	36-1/8''
BC 0306	72-1/4''	36''	16-1/8''	36-1/8''
BC 0406	62-1/4''	35''	15-1/8''	31-1/8''
BC 1006	66-1/4''	41''	18-1/8''	33-1/8''
BC 1106-L	60-1/4''	37''	16-1/8''	51-1/8''
BC 1106-R	60-1/4''	37''	16-1/8''	9-1/8''
BC 1206-L	66-1/4''	37''	16-1/8''	57-1/8''
BC 1206-R	66-1/4''	37''	16-1/8''	9-1/8''
BC 1406-L	60-1/4''	35''	15-1/8''	51-1/8''
BC 1406-R	60-1/4''	35''	15-1/8''	9-1/8''

Instalación de bañera - EN NICHOS

Modelos: BC 0106, BC 0206, BC 0306, BC 0406, BC 1006, BC 1106, BC 1206 y BC 1406.

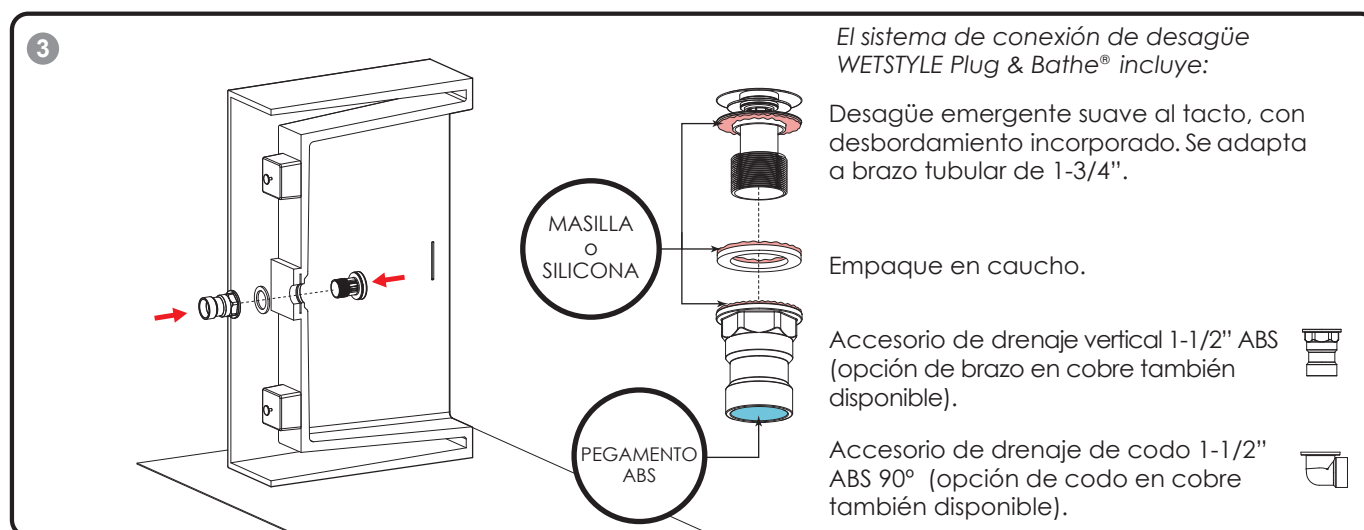
- 1 Decida exactamente dónde desea instalar la bañera. Construya las particiones según el modelo de bañera elegido. Para las dimensiones internas de la partición, consulte la tabla de la página anterior. Limpie, nivele y prepare el piso para la instalación.
- 2 Con una manta, cartón u otra superficie protectora limpia, gire la unidad de lado para que quede correctamente apoyada durante la instalación del drenaje.



- 3 Instale los componentes básicos de plomería: entrada de agua y drenaje del piso. Estos modelos de bañera **requieren una conexión de plomería vertical** desde el piso.

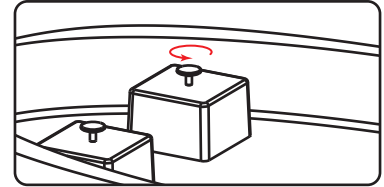
Sistema de conexión Plug & Bathe® con desbordamiento de ranura y drenaje suave al tacto. El desbordamiento incorporado está preinstalado por WETSTYLE.

Limpie el área del orificio de desagüe de la bañera para preparar el drenaje. El área debe estar seca y libre de escombros. Aplique una gota de silicona transparente o masilla de plomero alrededor del cuerpo de drenaje y páselo a través del orificio de drenaje. Aplique masilla de plomero al empaque en caucho y deslícelo sobre la parte inferior del cuerpo del desagüe.



! **IMPORTANTE: BC 0306 y BC 0406.** El grifo no se puede instalar en la bañera. Debe montarse en la pared o en el piso. Lea las instrucciones del fabricante para los detalles de instalación.

4 Use los 4 niveladores suministrados para asegurarse de que la bañera esté nivelada. Los 4 niveladores deben tocar el suelo para garantizar que la bañera no mueva. Al ajustar los niveladores, deje un ligero espacio libre de (1/8 ") entre el piso y la plataforma de la bañera.



Nota: Use un nivel para garantizar la precisión.

! **4 IMPORTANTE: BC 0206 y BC 0306.** Se incluye un soporte de montaje trasero con estos modelos. Fije el soporte horizontalmente a la estructura existente a la altura requerida.

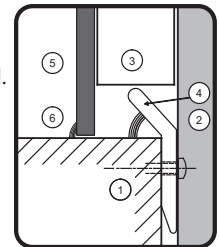
1. Cubierta trasera de la bañera.
2. Refuerzo trasero.
3. Soporte de montaje trasero.
4. Estructura vertical existente.
5. Coloque la parte posterior de la bañera en el soporte.

ATENCIÓN: Para evitar que la repisa trasera se doble y evitar la acumulación de agua, es esencial instalar el soporte proporcionado o uno similar.

VISTA DE CORTE

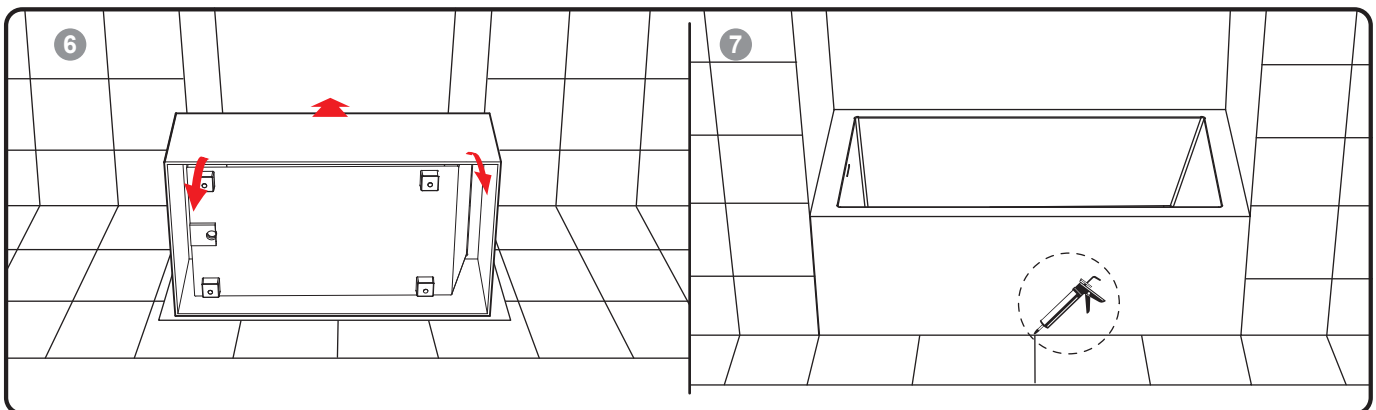
5 **Moldura:** Coloque la bañera de modo que la moldura descansa contra la estructura de la pared existente. Instale los paneles de yeso o de cemento de modo que estos entren en ligero contacto con la moldura.

1. Cubierta de bañera.
2. Estructura vertical existente.
3. Gypsum plasterboard panel.
4. Panel de yeso-cartón.
5. Refinamiento.
6. Sello de presión.



6 Conecte el desagüe de la bañera al desagüe del piso. Conecte el agua al grifo. **Verifique que todas las conexiones sean impermeables.**

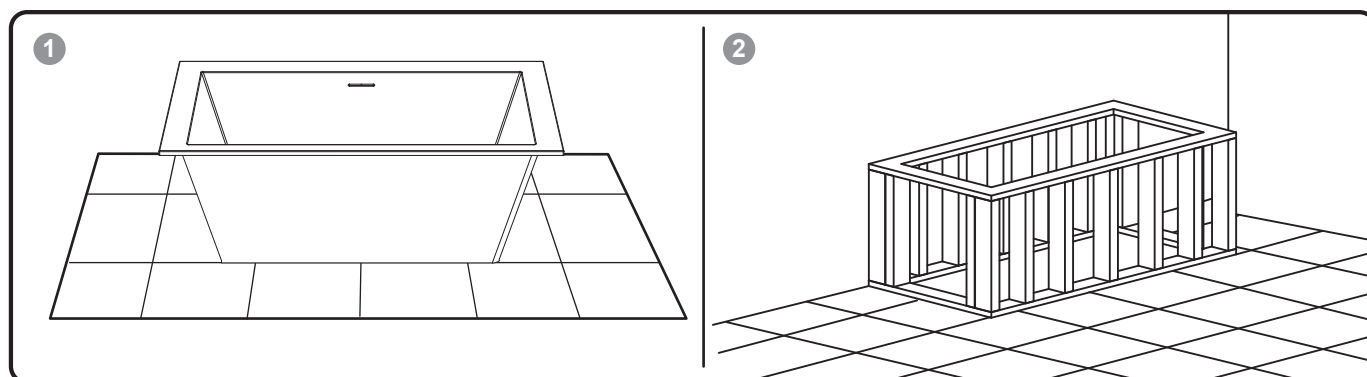
7 Haga un sello de presión de junta de silicona entre la base de la bañera y el piso. **El sellador debe penetrar completamente debajo del borde de la base.** Esto asegurará que no se filtre agua debajo de la bañera, mientras que también apoya el delantal de la bañera.



Instalación de bañera - ENCASTRADA

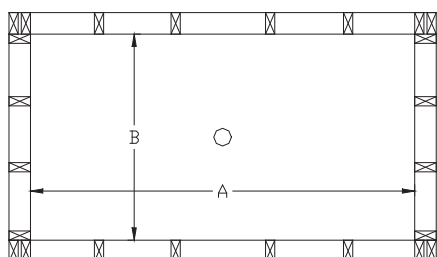
Modelos: BC 0501, BC 0502, BC 0504, BC 0505, BC 0506, BC 0901, BC 0902, BC 0904, BC 0905 y BC 0906.

- 1 Decida exactamente dónde desea instalar la bañera. Limpie, nivele y prepare el piso para la instalación.
- 2 Construya las particiones del podio según el modelo de bañera elegido. Para las dimensiones mínimas de la partición interna, consulte la tabla a continuación. Recomendamos encarecidamente planificar la instalación de un panel de acceso (para plomería) al construir el podio.



NICHO ENCASTRADO

Modelos: BC 0501 y BC 0901.

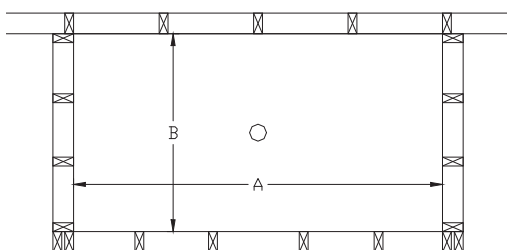


MODELO	A	B
BC 0501	60"	28"
BC 0901	52-1/2"	25"

Las dimensiones en la tabla son las mínimas requeridas para permitir la instalación de la bañera. Ellas pueden variar según los requisitos del cliente.

PENINSULAR ENCASTRADO

Modelos: BC 0502 y BC 0902.

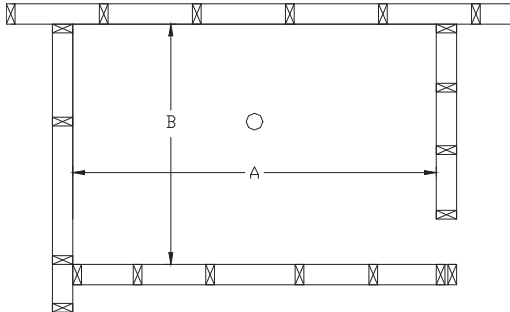


MODELO	A	B
BC 0502	60"	28"
BC 0902	52-1/2"	25"

Las dimensiones en la tabla son las mínimas requeridas para permitir la instalación de la bañera. Ellas pueden variar según los requisitos del cliente.

ESQUINERA ENCASTRADA

Modelos izquierdos: BC 0504 y BC 0904.
Modelos derechos: BC 0505 y BC 0905.

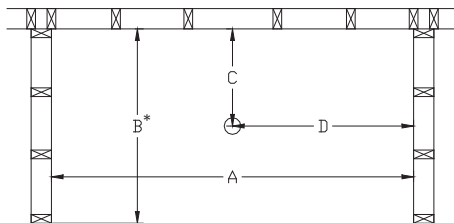


MODELO	A	B
BC 05	60"	28"
BC 09	52-1/2"	25"

Las dimensiones en la tabla son las mínimas requeridas para permitir la instalación de la bañera. Ellas pueden variar según los requisitos del cliente.

PEDESTAL ENCASTRADO

Modelos: BC 0506 y BC 0906.

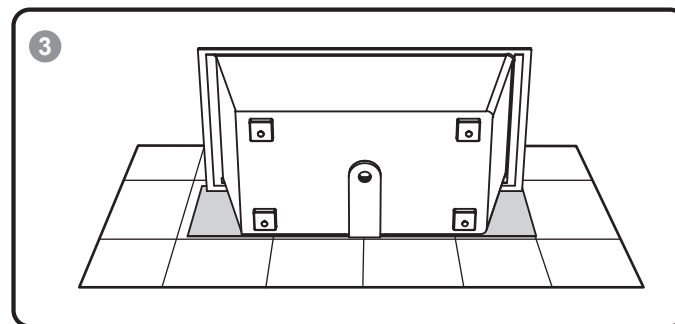


MODELO	A	B*	C	D
BC 0506	72-1/4"	45"	20-1/8"	36-1/8"
BC 0906	60-1/4"	35"	16-1/8"	30-1/8"

Las dimensiones en la tabla no incluyen el panel de yeso o paneles de cemento.

*Las dimensiones en la columna B pueden variar según las preferencias del cliente. Las indicaciones arriba representan el ancho de las bañeras más 5".

- Con una manta, cartón u otra superficie protectora limpia, gire la unidad de lado para que quede correctamente apoyada durante la instalación del drenaje.

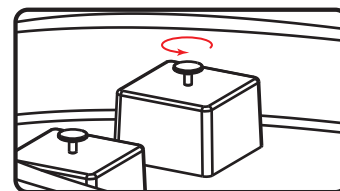


- Instale los componentes básicos de plomería: entrada de agua y drenaje del piso. Estos modelos de bañera **requieren una conexión de plomería vertical** desde el piso.

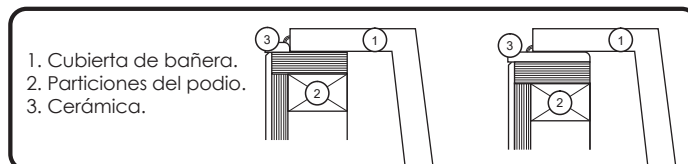
Sistema de conexión Plug & Bathe® con desbordamiento de ranura y drenaje suave al tacto. El desbordamiento incorporado está preinstalado por WETSTYLE.

Limpie el área del orificio de desagüe de la bañera para preparar el drenaje. El área debe estar seca y libre de escombros. Aplique una gota de silicona transparente o masilla de plomero alrededor del cuerpo de drenaje y páselo a través del orificio de drenaje. Aplique masilla de plomero al empaque en caucho y deslícelo sobre la parte inferior del cuerpo del desagüe. Por favor consulte las imágenes de instalación de esta guía en la página 4.

- 5 Coloque la bañera dentro del marco para que sus bordes se asienten correctamente en el marco. Una vez que la bañera esté en su lugar, asegúrese de que los niveladores estén correctamente apoyados en el piso, de modo que el peso completo de la bañera no descansa sobre las llantas. Esto podría dañar su bañera.



Nota: Use un nivel para garantizar la precisión.

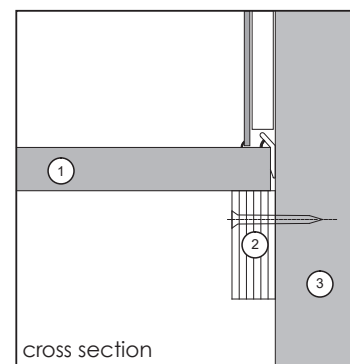


6 IMPORTANTE: BC 05 y BC 09.

Se debe instalar un soporte de montaje con estos modelos. Fije el soporte horizontalmente a la estructura existente a la altura requerida. Instale en todos los lados de la bañera que estén contra la pared.

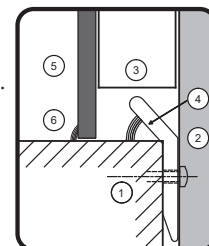
1. Cubierta de bañera.
2. Refuerzo de cubierta, use madera contrachapada de 3/4" o perno de 2x3; no incluido.
3. Estructura vertical existente.

ATENCIÓN: Para evitar que la repisa trasera se doble y evitar la acumulación de agua, es esencial instalar dicho soporte.



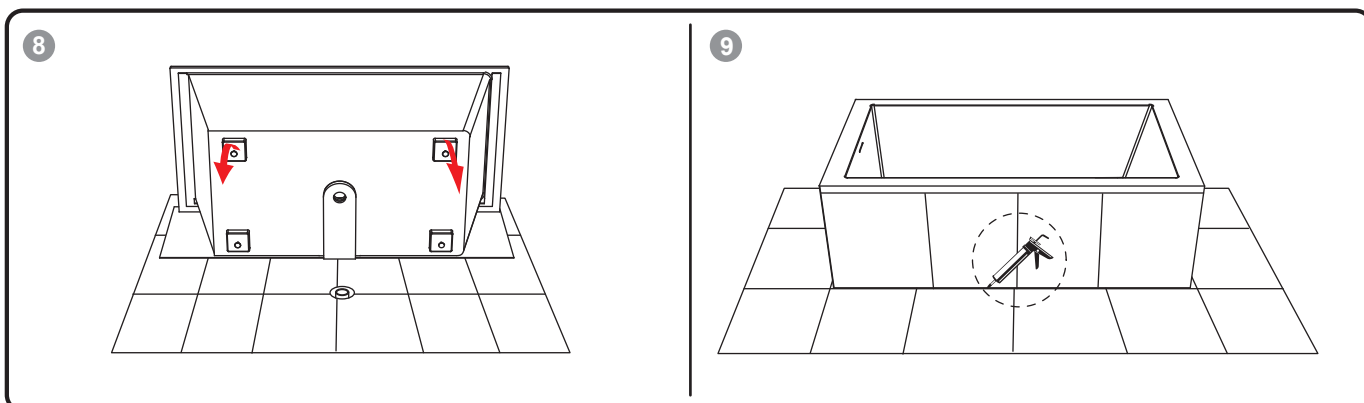
- 7 **Moldura:** Coloque la bañera de modo que la moldura descansa contra la estructura de la pared existente. Instale los paneles de yeso o de cemento de modo que estos entren en ligero contacto con la moldura.

1. Cubierta de bañera.
2. Estructura vertical existente.
3. Gypsum plasterboard panel.
4. Panel de yeso-cartón.
5. Refinamiento.
6. Sello de presión.



- 8 Conecte el desagüe de la bañera al desagüe del piso. Conecte el agua al grifo. **Verifique que todas las conexiones sean impermeables.**

- 9 Haga una junta de presión de silicona entre la bañera y las superficies acabadas.



GUIA DE MANTENIMIENTO

Todos los productos WETSTYLE están fabricados con WETMAR BiO®, un material ultra suave y no poroso que ayuda a controlar los depósitos de mugre y calcio.

WETMAR BiO® es muy fácil de limpiar: después de cada uso, simplemente limpie con un paño suave para eliminar la suciedad de la superficie.

Para la limpieza estándar de los acabados brillante y mate, recomendamos utilizar productos de limpieza ampliamente disponibles como Mr. Clean, Fantastik, CIF, etc. El acabado mate puede requerir ocasionalmente un producto ligeramente abrasivo.

Nunca use productos a base de petróleo al limpiar, es decir, diluyentes de pintura u otros solventes, ya que pueden dañar la superficie de **WETMAR BiO®**. (Nota: los productos de higiene personal y los cosméticos NO dañarán la superficie).

Limpieza estándar

WETMAR BiO®, terminado brillante.

Limpie la superficie con un paño suave después de cada uso.
Use un producto de limpieza suave como Mr. Clean, Fantastik, CIF, etc.
No utilice productos abrasivos o limpiadores en crema.

WETMAR BiO®, terminado mate

Limpie la superficie con un paño suave después de cada uso.
Use un producto de limpieza suave como Mr. Clean, Fantastik, CIF, etc.
Para manchas más difíciles, use un limpiador en crema ligeramente abrasivo como Soft Scrub, Comet Soft Cleanser, Cream with Bleach o CIF.

Superficies rayadas o dañadas

Para reparar superficies rayadas o dañadas, lije el área con papel de lija de grano 600 - 800 y 1200, comenzando con el grano de menor número (más grueso) y luego siguiendo con el grano de mayor número (más fino) en orden ascendente. Termine puliendo la superficie con un paño y un compuesto de pulido blanco para automóviles.

Reparaciones

Para reparaciones más extensas, envíe una fotografía de su producto WETSTYLE a nuestro Departamento de Servicio al Cliente (service@wetstyle.com), quien le informará sobre los métodos más apropiados para usar.

GARANTIA

La garantía de WETSTYLE sobre los **productos WETMAR BiO®** cubre todos los defectos en materiales y fabricación por un período de 5 años.

La garantía de WETSTYLE sobre **muebles y accesorios** cubre todos los defectos en materiales y fabricación por un período de 1 año.

Esta garantía limitada, que comienza en la fecha de compra original, solo se ofrece al comprador original que adquiera el producto directamente de WETSTYLE o de sus distribuidores autorizados.

Esta garantía limitada no se aplica a casos en los que un producto se instaló incorrectamente, ni a daños debidos a negligencia, mal uso, choque térmico, quemaduras de cigarrillos, incendios, catástrofes naturales u otros accidentes.

Esta garantía limitada no se extiende a los productos comprados a través de Internet de distribuidores no autorizados de WETSTYLE.

Esta garantía limitada no se extiende a productos comprados a distribuidores o subcontratistas WETSTYLE no autorizados.

WETSTYLE no es responsable de los costos y reclamos que puedan surgir de la compra de un producto no adecuado para la estructura del edificio existente.

Cualquier transformación o alteración realizada en un producto WETSTYLE anula automáticamente la garantía.

La garantía del fabricante se limita a la reparación o el reemplazo (con un producto de igual valor), siempre que el reclamo se haga a un distribuidor autorizado o directamente a WETSTYLE dentro del período de garantía. Los costos de mano de obra y cualquier otro gasto relacionado con el reemplazo de un producto WETSTYLE no están cubiertos por la garantía.

Los productos WETSTYLE están certificados CSA B45.0, CSA B45.4, ANSI Z124.1 y ANSI A124.3



WWW.WETSTYLE.COM - MONTRÉAL - CANADA

Tel. 1 888.563.9001

INSTALLATION GUIDE BATHTUBS / GUIA DE INSTALACIÓN BAÑERAS

NOV. 2019