



**Bathtubs**

**BC 11**

CUBE COLLECTION

**Design** Wetstyle Design Lab

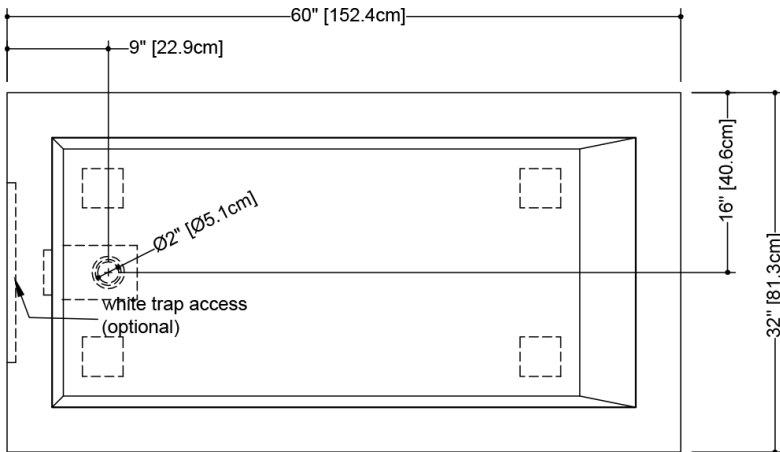


## FEATURES

- Handcrafted in Montreal, Canada
- Integrated overflow
- Soft toe touch drain
- Plug & Bathe drain connection for quick install
- Wood bridge in Wenge shade included
- Bathtub/Shower: can be used as a bathtub/shower combination

## TECHNICAL DETAILS

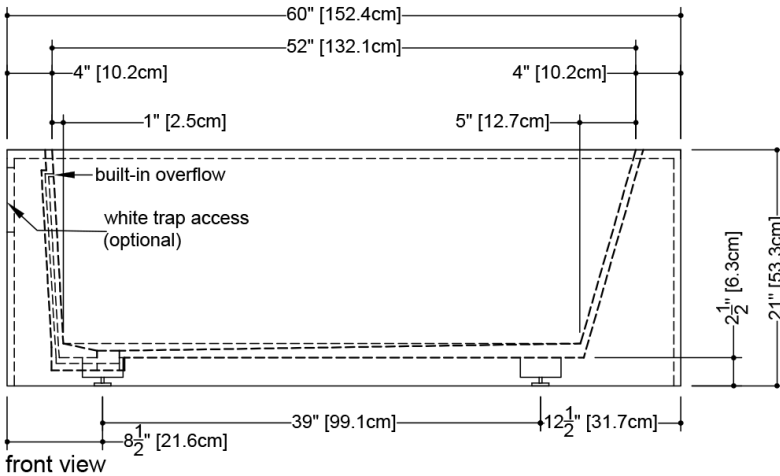
- **Width:** 32"
- **Length:** 60"
- **Height:** 21"
- **Weight:** 245 lbs / 111 kg



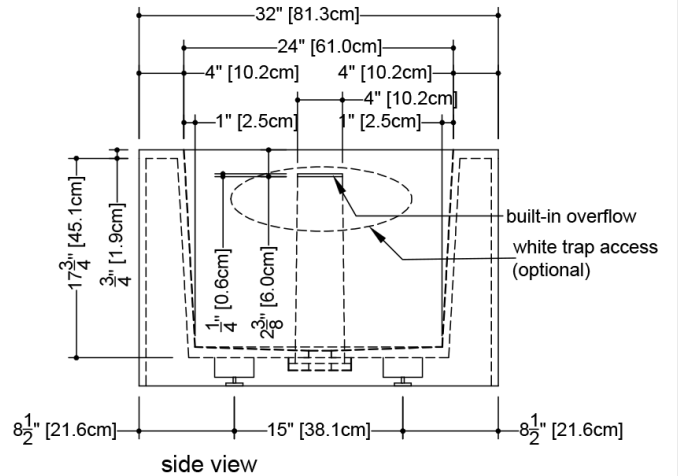
plan view

**WETSTYLE Plug & Bathe™ overflow and drain connection system includes:**

- Soft-touch pop-up drain, for built-in overflow. Fits both 1-1/2" ABS drain waste and 1-1/2" tubular brass
- 1-1/2" ABS Direct vertical drain waste fitting (copper/brass option also available)
- 1-1/2" ABS 90° Elbow drain waste fitting (copper/brass option also available)



front view

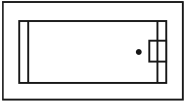


side view

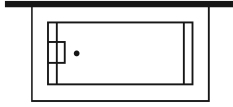
**BC 11**

WETSTYLE cannot be held responsible for any technical errors and reserves the right to make revisions without notice. Approximate measurement. The manufacturer accepts 1/4" (6.35mm) variance.

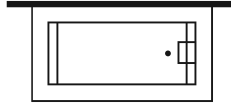
## AVAILABLE CONFIGURATIONS



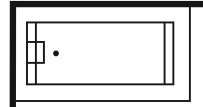
BC1101 -  
Freestanding



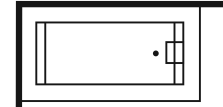
BC1102-L - Left Drain  
- Back Wall



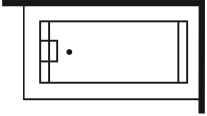
BC1102-R - Right  
Drain - Back Wall



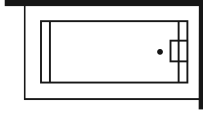
BC1104-L - Left Drain  
- Left and Back Walls



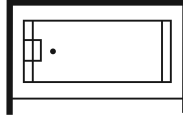
BC1104-R - Right  
Drain - Left and Back  
Walls



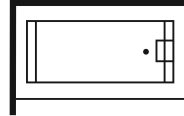
BC1105-L - Left Drain  
- Right and Back  
Walls



BC1105-R - Right  
Drain - Right and  
Back Walls



BC1106-L - Left Drain  
- Three Wall Alcove



BC1106-R - Right  
Drain - Three Wall  
Alcove

## OPTIONS

### Model

- BC1101 - Freestanding
- BC1102-L - Left Drain - Back Wall
- BC1102-R - Right Drain - Back Wall
- BC1104-L - Left Drain - Left and Back Walls
- BC1104-R - Right Drain - Left and Back Walls
- BC1105-L - Left Drain - Right and Back Walls
- BC1105-R - Right Drain - Right and Back Walls
- BC1106-L - Left Drain - Three Wall Alcove
- BC1106-R - Right Drain - Three Wall Alcove

### Drain Overflow Trim Finish

- Brushed Nickel Drain - No Trim Overflow (#BNNT)
- Brushed Nickel Drain and Overflow (#BN)
- Matte Black Drain - No Trim Overflow (#MBNT)
- Matte Black Drain and Overflow (#MB)
- Polished Chrome Drain - No Trim Overflow (#PCNT)
- Polished Chrome Drain and Overflow (#PC)
- Satin Brass Drain - No Trim Overflow (#SBNT)
- Satin Brass Drain and Overflow (#SB)

## CODES/STANDARDS APPLICABLES

IAPMO-ANSI Z124.1  
IAPMO-ANSI Z124.3  
CSA B 45.0  
CSA B 45.4  
Mass Board Approved

### WETMAR BiO Finish

- White Matte (#MA)
- White True High Gloss (#GA)

### Plumbing Connection

- Copper/Brass Connection - local code dependant (#COP)
- Standard ABS Connection

## FAUCET AREA RECOMMENDED

- Wall-mounted for BC1106-R, BC1106-L  
- Deck-mounted, wall-mounted or column for wall or deck mounted for other models.

## NOTES

**OPTIONAL WHITE TRAP ACCESS** (for deck-mounted faucet installation) is available by special order on models:BC1101, BC1102-R, BC1102-L, BC1104-R, BC1105L

**IMPORTANT - BATHTUB INSTALLATION SUPPLIES:** A 1/4" tile flange will be supplied to comply with the requested position. Installed at the factory to prevent water leakage, this must be placed directly on the partition framing prior to the installation of drywall.