

Air Gaps, Elbows and Test Cocks

Job Name _____

Contractor _____

Job Location _____

Approval _____

Engineer _____

Contractor's P.O. No. _____

Approval _____

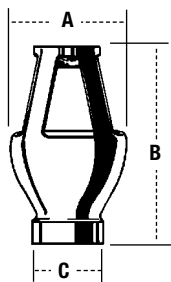
Representative _____

Air Gaps, Elbows and Test Cocks for Reduced Pressure Zone Assemblies

Air Gaps

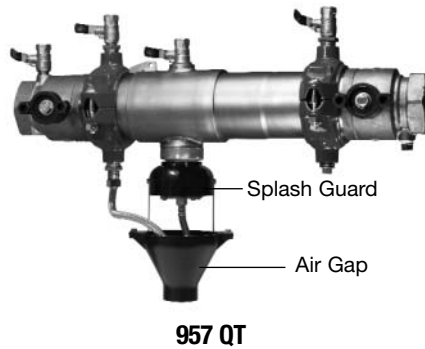
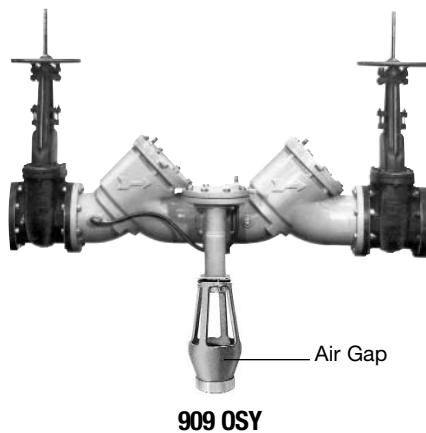
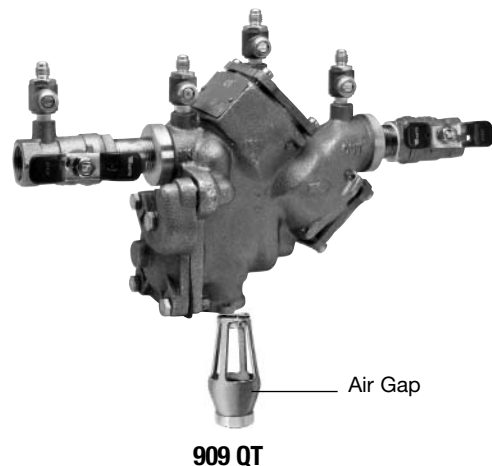
An air gap provides the unobstructed, physical separation between the discharge end of a potable water supply line and an open receiving vessel.

The installation of an air gap and drain line are recommended.



MODEL	ORDERING CODE	SERIES/SIZES	DIMENSIONS			WEIGHT	
			A in. mm	B in. mm	C (NPT) in. mm	lbs	kgs
909AGA	0881399	1/2" - 1/2" 009 3/4" 009M2/M3 1/2" - 1" 995	2 3/8 60	3 1/8 79	1/2 13	.63	.28
909AGC	0881376	3/4" - 1" 009/909 1" - 1 1/2" 009M2 1 1/4" - 2" 995	3 1/4 83	4 7/8 124	1 25	1.50	.68
909AGF	0881378	1 1/4" - 3" 009/909 1 1/4" - 2" 009M1 2" 009M2	4 3/8 111	6 3/4 171	2 51	3.25	1.47
909AGK	0881385	4" - 6" 909 8" - 10" 909M1	6 3/8 162	9 3/4 244	3 76	6.25	2.83
909AGM	0881387	8" - 10" 909	7 3/8 187	11 1/4 286	4 102	15.50	7.03
919 AGC	0881576	3/4"-1" 919	2 3/8 60	3 1/8 79	1/2 13	0.63	0.28
919 AGF	0881577	1 1/4"-2" 919	4 3/8 111	8 1/2 216	2 51	3.5	1.6
957AG	0111764	2 1/2" - 10" 957	7 1/2 190	10 3/16 258	2 51	1.50	.68
957AG	0111815	2 1/2" - 10" 957	- -	- -	- -	- -	- -
Splash Guard							
994AGK-P	0881397	2 1/2" - 10" 994	8 203	11 1/4 286	2 51	1.50	0.68
995-AG	0439190	3" - 6" 995	5 127	8 203	2 51	-	-

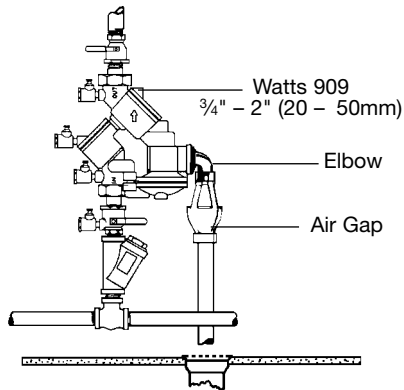
IMPORTANT: INQUIRE WITH GOVERNING AUTHORITIES FOR LOCAL INSTALLATION REQUIREMENTS



Watts product specifications in U.S. customary units and metric are approximate and are provided for reference only. For precise measurements, please contact Watts Technical Service. Watts reserves the right to change or modify product design, construction, specifications, or materials without prior notice and without incurring any obligation to make such changes and modifications on Watts products previously or subsequently sold.

Vent Elbows

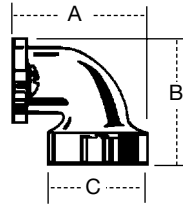
Used with Watts air gaps for vertical installation of Reduced Pressure Zone Assemblies.



Vertical (Up) Installation of Backflow Preventer

IMPORTANT:

Inquire with governing authorities for local installation requirements.



IRON BODY NO.	ORDERING CODE	SERIES/SIZES	DIMENSIONS			WEIGHT	
			A in. mm	B in. mm	C in. mm	lbs	kgs
909EL-A	0881370	1/4"-1/2" 009 3/4" 009M2/M3 1/2"-1" 995	—	—	—	—	—
909EL-C	0881380	3/4"-1" 009/909 1"-1 1/2" 009M2 1 1/4"-2" 995	2 3/8 60	2 3/8 60	—	—	.38 .17
*909EL-F	0881382	1 1/4"-2" 009M1 1 1/4"-2" 009/909 2" 009M2	3 5/8 92	3 5/8 92	—	—	2 .91
*909EL-H (vertical)	0881384	2 1/2"-3" 009/909	—	—	2 51	—	—
919 EL-C	0881578	3/4"-1" 919	2 1/4 57	2 5/8 67	—	—	0.63 0.28
919 EL-F	0881579	1 1/4"-2" 919	5 1/4 133	4 102	—	—	2 0.9
994EL-F	0881396	2 1/2"-10" 994	4 7/8 124	9 229	2 51	4	1.8

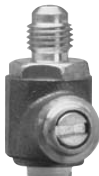
*Epoxy coated

Test Cocks

TC

For use with backflow preventers, isolation valve for gauges, isolation valves for small equipment lines.

- Full port ball valve design
- Screwdriver slot to open and close
- Available 1/8" M x 1/4" F (0006630) or 1/4" M x 1/4" F (0006635)



SAE-TC

- Full port ball valve design
- Screwdriver slot operation
- Available 1/8" M x SAE (0006904)

SAE-TC Adapter

- 1/4" female SAE x 7/16" FPT
- Adapts to SAE-TC for use with pressure gauge and/or site tube
- SAE-TC Adapter (0006903)



SilverEagle TC

- 1/2" TC for 2 1/2" - 4" (65 - 100mm) series 757 and 957 (0007000)
- 3/4" TC for 6" - 10" (150 - 250mm) series 757 and 957 (0007001)
- Full port ball valve design



No. 3 TC with O-Ring

- for 2 1/2" - 4" (65 - 100mm) series 757 and 957 (0007002)
- for 6" - 10" (150 - 250mm) series 757 and 957 (0007003)

Cap & Tether

Plastic Cap & Tether

(four required per backflow preventer)

- Fits 1/4" Female test cocks
- Plastic dust cap and rubber tether
- RK-TC 1/8" (0888846)



Brass Cap & Plastic Tether

(four required per backflow preventer)

- Fits 1/8" M x SAE test cocks
- Brass dust cap with O-ring seal and rubber tether
- RK-SAE-TC (0888845)



SAE-TC Brass Cap

- Protects SAE-TC from dirt and debris (0006902)



Backflow Prevention Products

USA: 815 Chestnut St., No. Andover, MA 01845-6098; www.watts.com

Canada: 5435 North Service Rd., Burlington, ONT. L7L 5H7; www.wattscanada.com