

For Commercial, Industrial and Agricultural Applications

Job Name _____
 Job Location _____
 Engineer _____
 Approval _____

Contractor _____
 Approval _____
 Contractor's P.O. No. _____
 Representative _____

Series 375, 500, 750, 1000, 1250, 1500 and 2000 Heavy Duty Mechanical Float Valves (with Threaded or Non-Threaded Outlets)

Sizes: 3/8" to 2" (10 to 50mm)

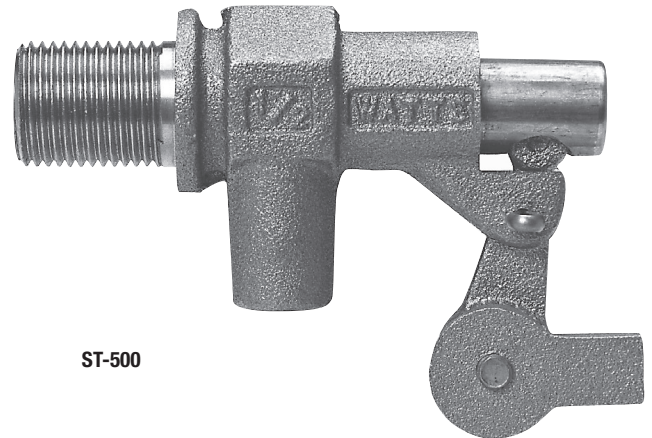
Series 375, 500, 750, 1000, 1250, 1500 and 2000 Heavy Duty Mechanical Float Valves are used in commercial, industrial, and agricultural applications for controlling high capacity water flow. This series is ideal for use in air conditioning, refrigeration, and irrigation systems. These connectors can be tank wall-mounted. All valves in the series have bronze body construction with machine flanges on the inlet side (sizes 1" to 2" (25 to 50mm) have female NPT pipe threaded inlet connections), and male straight-pipe threaded for locknut on the outlet side. The connectors have serrated arms for easy adjustment of water level, bronze long and short arms, replaceable seals, and no-jam single lever action.

Features

- Pipe-threaded for pipe connections and straight-pipe threaded for locknut
- Machined flange for support against tank wall
- All bronze bodies
- Serrated arms for quick easy adjustment of water level
- High tensile manganese bronze long and short arms
- No jam single lever action
- Replaceable seals

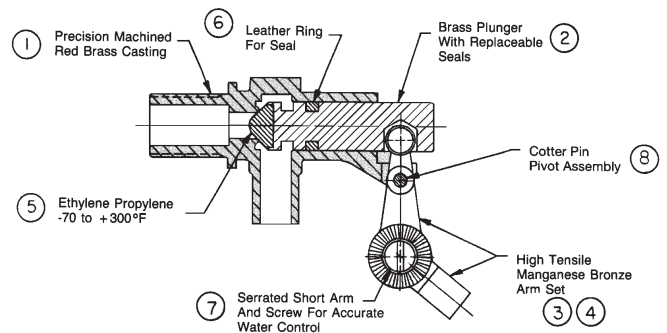
Pressure

Maximum Working Pressure: 165psi (11.4 bar)
 Maximum Working Temperature: 180°F (82°C)



ST-500

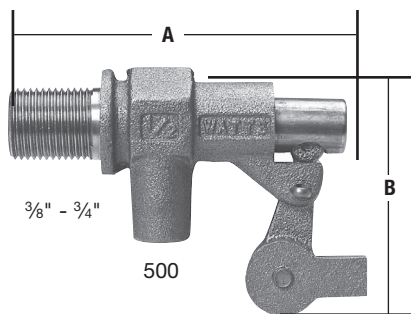
Materials



Item	Qty.	Description	Material
1	1	Body	Bronze
2	1	Plunger	Brass
3	1	Long arm	Bronze
4	1	Short arm	Bronze
5	1	Plunger tip	Buna-N
6	1	Leather ring	-
7	1	Thumb screw	Brass
8	1	Cotter pin	Stainless Steel

Watts product specifications in U.S. customary units and metric are approximate and are provided for reference only. For precise measurements, please contact Watts Technical Service. Watts reserves the right to change or modify product design, construction, specifications, or materials without prior notice and without incurring any obligation to make such changes and modifications on Watts products previously or subsequently sold.

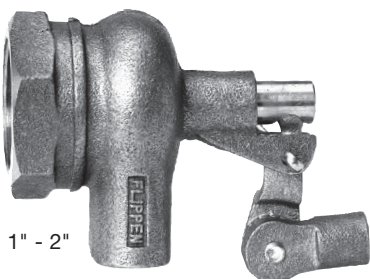




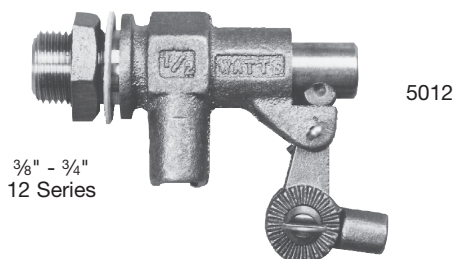
3/8" - 3/4"

500

1000



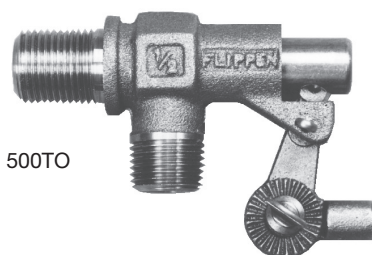
1" - 2"



3/8" - 3/4"
12 Series

5012

Threaded Outlet



500TO

Flow Specifications

Size	Pressure	Flow	Pressure	Flow
3/8"	50psi	14 gpm	100psi	21 gpm
1/2"	50psi	20 gpm	100psi	31 gpm
3/4"	50psi	40 gpm	100psi	60 gpm
1"	50psi	100 gpm	100psi	150 gpm
1 1/4" - 2"	50psi	250 gpm	100psi	348 gpm

Models

Valve Assembly

A high capacity valve that can be tank wall-mounted. Inlet side has 2" machined flange 1" - 2" are also female NPT pipe threaded for inlet connection. All sizes have a male straight-pipe threaded for locknut. (See replacement parts for locknuts).

Maximum Pressure - 165 psi • Maximum Temperature - 180°F

Pipe Size	Series	Stem Fitting	Dimensions		Inner Pack	Master Pack	Weight each (oz.)
			A	B			
3/8"	375	1/4-20	3"	1 1/4"	10	40	8.6
1/2"	500	1/4-20	3 1/2"	2"	10	40	11.3
3/4"	750	1/4-20	4"	2"	10	40	18.3

A high capacity valve that can be tank wall-mounted. Inlet side has a machined flange and is female NPT pipe threaded for inlet connection.

Pipe Size	Series	Stem Fitting	A	B	Inner Pack	Master Pack	Weight each (oz.)
1"	1000	5/16-18	3"	4"	5	10	29.0
1"	1000-01	3/8-16	3"	4"	5	10	29.0
1 1/4"	1250	3/8-16	5 1/2"	4"	5	10	50.5
1 1/2"	1500	3/8-16	5 1/2"	4"	5	10	48.0
2"	2000	3/8-16	6"	4"	5	10	53.6

1000-1 same as 1000 except it has 3/8 - 16 threads in short arm.

Valve Assembly with Locknut and Gasket (For Bulkhead Mount)

A high capacity valve that can be tank wall-mounted. Inlet side has a machined flange and male straight-pipe threaded for locknut. (See replacement parts for locknuts).

Pipe Size	Series	Stem Fitting	Dimensions		Inner Pack	Master Pack	Weight each (oz.)
			A	B			
3/8"	375-12	1/4-20	3"	1 1/4"	10	40	9.3
1/2"	500-12	1/4-20	3 1/2"	2"	10	40	12.0
3/4"	750-12	1/4-20	4"	2"	10	40	18.9

Valve Assembly

A high capacity valve with same inlet feature as standard valve, with MNPT thread on the outlet. Like the standard valves, this valve can be tank wall-mounted. (See replacement parts for locknuts.)

Pipe Size	Series	Stem Fitting	Dimensions		Inner Pack	Master Pack	Weight each (oz.)
			A	B			
1/2"	500TO	1/4-20	3 1/2"	2"	10	40	12.0
3/4"	750TO	1/4-20	4"	2"	10	40	17.3

Valve Assembly with Locknut and Gasket (For Bulkhead Mount)

1/2"	500TO-12	1/4-20	3 1/2"	2"	10	40	13.0
3/4"	750TO-12	1/4-20	4"	2"	10	40	18.6

WATTS®

Water Safety & Flow Control Products

ES-HDV 0844



ISO 9001-2000
CERTIFIED

USA: 815 Chestnut St., No. Andover, MA 01845-6098; www.watts.com

Canada: 5435 North Service Rd., Burlington, ONT. L7L 5H7; www.wattscanada.ca

© Watts Regulator Company, 2008