

Series 957, 957N, 957Z, 957RPDA, LF957RPDA, 957NRPDA, LF957NRPDA, 957ZRPDA, LF 957ZRPDA

RP/IS-957/957RPDA

Reduced Pressure Zone Assemblies
Reduced Pressure Detector Assemblies

Sizes: 2½" – 10" (65 – 250mm)

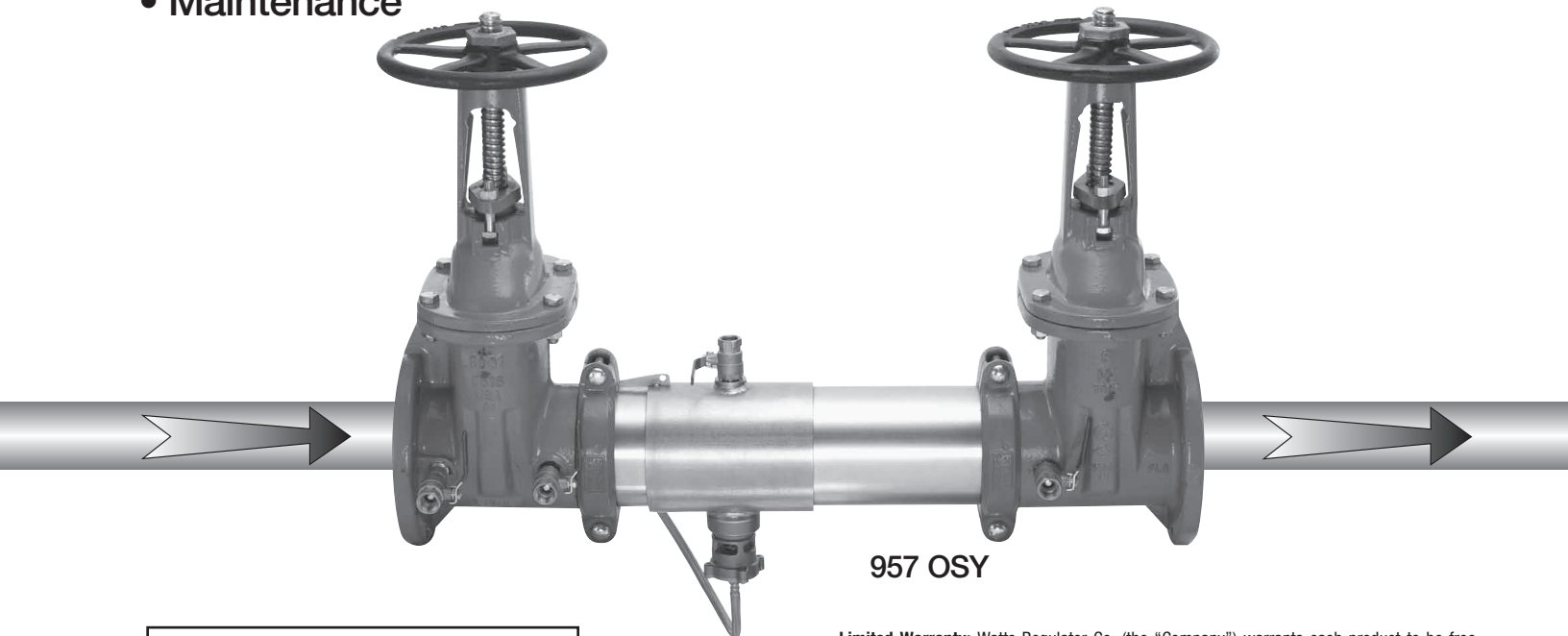
- Installation
- Service
- Repair Kits
- Maintenance



For field testing procedure, send for IS-TK-DL, IS-TK-9A, IS-TK-99E and IS-TK-99D.

For other repair kits and service parts, send for PL-RP-BPD.

For technical assistance, contact your local Watts representative.



957 OSY

CALIFORNIA PROPOSITION 65 WARNING

WARNING: This product contains chemicals known to the State of California to cause cancer and birth defects or other reproductive harm. (California law requires this warning to be given to customers in the State of California.)

For more information: www.watts.com/prop65

IMPORTANT: Inquire with governing authorities for local installation requirements.

NOTE: For Australia and New Zealand: Pipeline strainers should be installed between the upstream shutoff valve and the inlet of the backflow preventer.

It's important that this device be tested periodically in compliance with local codes, but at least once per year or more as service conditions warrant. If installed on a fire sprinkler system, all mechanical checks, such as alarm checks and backflow preventers, should be flow tested and inspected internally in accordance with NFPA 13 and NFPA 25.

Limited Warranty: Watts Regulator Co. (the "Company") warrants each product to be free from defects in material and workmanship under normal usage for a period of one year from the date of original shipment. In the event of such defects within the warranty period, the Company will, at its option, replace or recondition the product without charge.

THE WARRANTY SET FORTH HEREIN IS GIVEN EXPRESSLY AND IS THE ONLY WARRANTY GIVEN BY THE COMPANY WITH RESPECT TO THE PRODUCT. THE COMPANY MAKES NO OTHER WARRANTIES, EXPRESS OR IMPLIED. THE COMPANY HEREBY SPECIFICALLY DISCLAIMS ALL OTHER WARRANTIES, EXPRESS OR IMPLIED, INCLUDING BUT NOT LIMITED TO THE IMPLIED WARRANTIES OF MERCHANTABILITY AND FITNESS FOR A PARTICULAR PURPOSE.

The remedy described in the first paragraph of this warranty shall constitute the sole and exclusive remedy for breach of warranty, and the Company shall not be responsible for any incidental, special or consequential damages, including without limitation, lost profits or the cost of repairing or replacing other property which is damaged if this product does not work properly, other costs resulting from labor charges, delays, vandalism, negligence, fouling caused by foreign material, damage from adverse water conditions, chemical, or any other circumstances over which the Company has no control. This warranty shall be invalidated by any abuse, misuse, misapplication, improper installation or improper maintenance or alteration of the product.

Some States do not allow limitations on how long an implied warranty lasts, and some States do not allow the exclusion or limitation of incidental or consequential damages. Therefore the above limitations may not apply to you. This Limited Warranty gives you specific legal rights, and you may have other rights that vary from State to State. You should consult applicable state laws to determine your rights. **SO FAR AS IS CONSISTENT WITH APPLICABLE STATE LAW, ANY IMPLIED WARRANTIES THAT MAY NOT BE DISCLAIMED, INCLUDING THE IMPLIED WARRANTIES OF MERCHANTABILITY AND FITNESS FOR A PARTICULAR PURPOSE, ARE LIMITED IN DURATION TO ONE YEAR FROM THE DATE OF ORIGINAL SHIPMENT.**

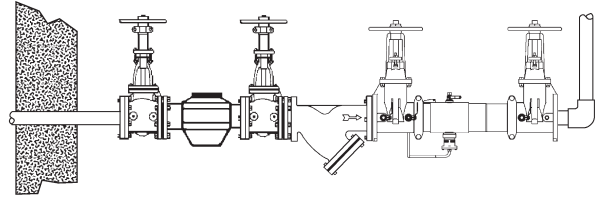
WATTS®

Basic Installation Instructions

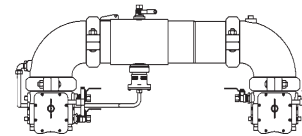
Guidelines

1. Most field problems occur because dirt and debris present in the system at the time of installation becomes trapped in the #1 check. The system should be flushed before the backflow valve is installed. If the system is not flushed until after the backflow valve is installed, remove both check modules from the valve and open the inlet shutoff to allow water to flow for a sufficient time to flush debris from the water line. If debris in the water system continues to cause fouling, a strainer can be installed upstream of the backflow assembly.
2. Watts models 957, 957RPDA and LF957RPDA may be installed in either horizontal, "N" pattern, or "Z" pattern position as long as the backflow assembly is installed in accordance with the direction of the flow arrow on the assembly and the local water authority approves the installation.
3. The assembly should be installed with adequate clearance around the valve to allow for inspection, testing and servicing. 12" (305mm) should be the minimum clearance between the lower portion of the assembly and the floor or grade. The valve should be protected from freezing.
4. Installing a backflow preventer in a pit or vault is not recommended.
5. Normal discharge and nuisance spitting are accommodated by the use of a Watts air gap fitting and a fabricated indirect waste line. Floor drains of the same size must be provided in case of excessive discharge.
6. The 957 and 957RPDA backflow preventer should be tested by a certified tester at the time of installation.

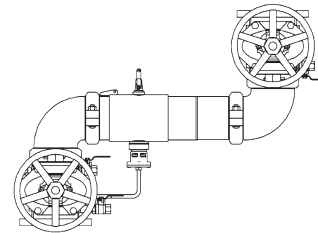
NOTE: Assembly body should not be painted.



Horizontal Installation

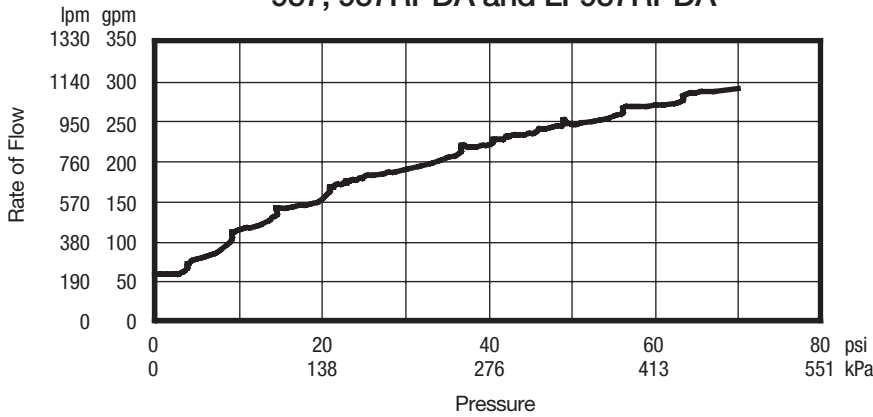


N Pattern



Z Pattern

Relief Valve Discharge Rates 2½" – 10" (65 - 250mm) 957, 957RPDA and LF957RPDA



Maintenance Instructions 2½" – 6" (65 – 150mm)

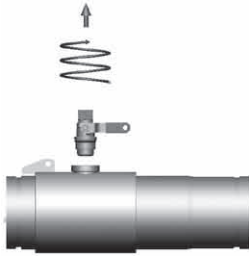


Figure A

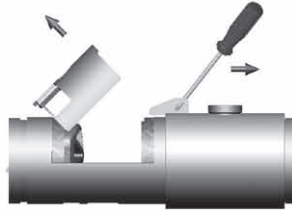


Figure B

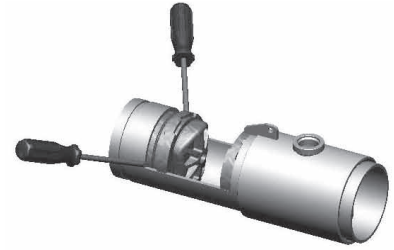


Figure C

#1 Check Diagrams

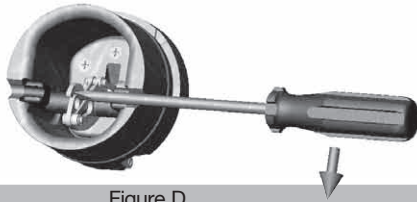


Figure D

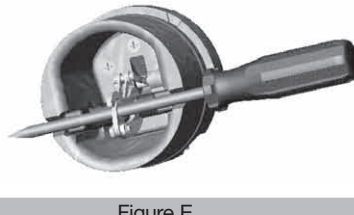


Figure E



Figure F

#2 Check Diagrams

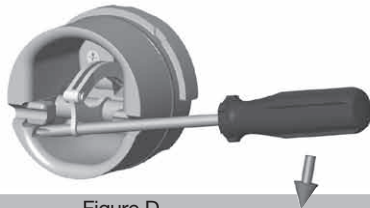


Figure D



Figure E



Figure F

Prior to servicing any Watts valve, it is mandatory to shut down the water system by closing both the inlet and outlet shutoff valves. After shutoff valves are closed, open test cock #2, #3 and #4 to relieve pressure within the backflow assembly.

1. After #3 test cock has been opened to relieve pressure, remove #3 test cock from housing. (Figure A)
2. Insert a #3 screwdriver through the hole on the top of the cover sleeve and using both hands rotate the cover sleeve approximately ¼-turn clockwise and ¼-turn counter-clockwise to break the sleeve O-ring seals. Using the screwdriver, slowly slide the cover sleeve to the downstream side of the housing. (Figure B)
3. Remove the stainless steel check retainer from the housing. (Figure B)
4. Remove the #1 check module (Figure C) by inserting two flat blade screwdrivers into the slots on either side of the check module and gently pry the check module toward the open zone.
5. Remove #2 check module with the same instructions as in #4 above. For servicing 6" (150mm) checks see 8" – 10" (200 – 250mm) instructions on p. 4.
6. To clean or inspect either check module, insert a #3 screwdriver through the downstream side of the check module as shown in Figure D and E. When the screwdriver is in place, remove the E-clip (Figure F) and pin connecting the structural members and the check clapper will open with no tension.
7. Thoroughly clean the seating area. The sealing disk may be removed, if necessary, by removing the screws connecting the keeper plate to the clapper. The sealing disc may be reversed and reinstalled if the elastomer is cut or damaged.
8. Wash check module and O-ring and inspect for any damage. If damaged, reinstall new parts.
9. After thorough cleaning, lubricate O-ring w/FDA approved lubricant, replace pin and E-clip in structural members, remove screw driver and reinstall check modules and assemble housing in reverse order of these instructions.

Maintenance Instructions 8" – 10" (200 – 250mm)

Material-Tool Requirements:

- #3 Phillips screwdriver or $\frac{5}{16}$ " diameter rod, length sufficient to span diameter of check, see Figures A and B.
- $\frac{1}{2}$ – 13 x 5 fully threaded hex bolt (Service bolt).
- $\frac{3}{4}$ " open end or socket wrench.

Instructions

Prior to servicing any Watts valve, it is mandatory to shut down the water system by closing both the inlet and outlet shutoff valves. After shutoff valves are closed, open test cock #2, #3 & #4 to relieve pressure within the backflow assembly.

1. After #3 test cock has been opened to relieve pressure, remove #3 test cock from housing.
When repairing an 8" or 10" (200 or 250mm) device, remove both Victaulic couplers from body. Slide the downstream Victaulic coupler gasket to the downstream side of the housing. The upstream Victaulic coupler gasket stays in place.
2. Remove checks that are to be maintained.
3. Locate the service hole and thread in the service bolt by hand until it contacts the linkage. (Figure A)
4. Continue to thread in service bolt with the wrench until the service hole in the linkage is aligned with the service notches on the spring arbors. (Figure A)
5. Insert the Phillips screwdriver through the arbors and service hole of the linkage making sure that the tip of the screwdriver extends past the ends of the arbors by a minimum of $\frac{1}{4}$ " (6mm). (Figure B)
6. Back out the service bolt until load is transferred to the screwdriver. Continue to back out the service bolt until sufficient clearance is achieved to remove the complete spring mechanism.
7. To disconnect linkage, remove retaining clip and pin (store in a safe location for reinstallation).
8. To remove spring mechanism, grasp the screwdriver at the center and pull complete assembly straight out and store in a safe place.
9. Reinstall in reverse.

WARNING – While the spring mechanism is removed for check servicing; never pull the screwdriver out or off the support notches on the arbors. Doing so may cause bodily injuries.

Figure A

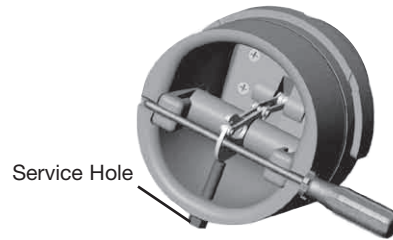
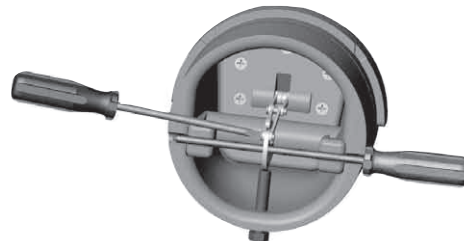


Figure B



Servicing Relief Valve

Prior to servicing the relief valve, it is mandatory to shut down water system by closing both the inlet and outlet shutoff valves and relieving pressure within the assembly by opening the #2, #3 and #4 test cocks.

DO NOT REMOVE SPIDER BUSHING FOR SERVICING

1. Disconnect the hose from the bottom cover plate to the relief valve.
2. An O-ring seals the relief valve body to the main housing. It is not necessary to tighten the connection beyond firm hand tightening. The relief valve should be able to be removed by unscrewing the relief valve from the housing.
3. Remove the cover plate of the relief valve by removing the four connecting screws.
4. Remove the rubber diaphragm from the relief valve. Be aware of how the diaphragm is configured so that it can be reinstalled in the same manner. The hard rubber tab in the diaphragm fits into a similar socket in the head of the piston. (Figure 1)



Figure 1



Figure 2

5. Hold the relief valve in both hands with the threaded end up and both thumbs on the head of the piston. Push up on the piston until the piston shaft with the attached E-clip is exposed. Remove the E-clip (Figure 2)
6. Remove the piston and spring from the relief valve housing and thoroughly clean all parts including the diaphragm. Inspect all rubber parts for damage and if damaged, replace them with new parts.
7. Reassemble the relief valve in the reverse order that it was disassembled.

Test Procedures Reduced Pressure Zone Assemblies

Test No.1

Purpose: To test check valve No. 2 for tightness against reverse flow.

Requirements: Valve must be tight against reverse flow under all pressure differentials. Slowly open the 'high' valve A and the 'vent' valve C, and keep the 'low' valve B closed. Open test cock #4. Indicated pressure differential will decrease slightly. If pressure differential continues to decrease (until the vent opens) check valve #2 is reported as 'leaking'.

Test No. 2

Purpose: To test shutoff #2 for tightness.

Requirements: After passing Test No. 1, continue to Test No. 2 by closing test cock #2. The indicated pressure differential will decrease slightly. If pressure differential continues to decrease (approaching 'zero'), shutoff #2 is reported to be 'leaking'.

Test No. 3

Purpose: To test check Valve No. 1 for tightness.

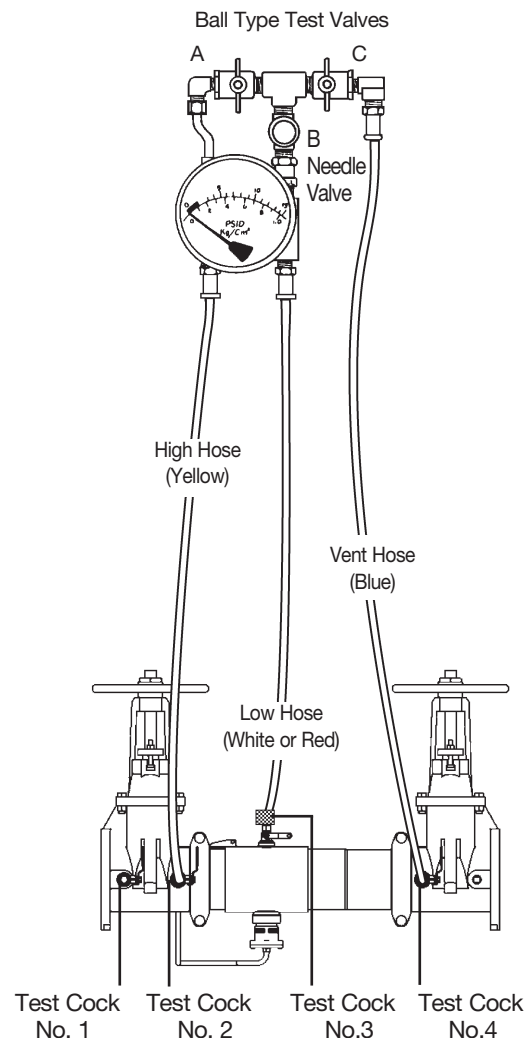
Requirements: Valve must be tight against reverse flow under all pressure differentials. Close 'high' valve A and open test cock #2. Close test cock #4. Disconnect vent hose at test cock #4. Open valves B and C, bleeding to atmosphere. Then closing valve B restores the system to a normal static condition. Observe the pressure differential gauge. If there is a decrease in the indicated value, check valve No. 1 is reported as 'leaking'.

Test No. 4

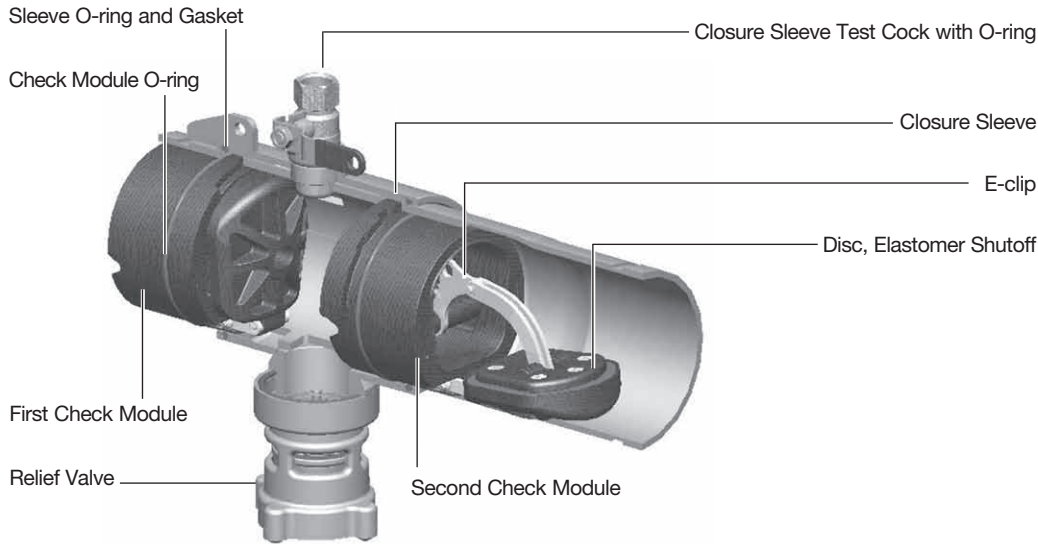
Purpose: To test operation of pressure differential relief valve.

Requirements: The pressure differential relief valve must operate to maintain the 'zone' between the two check valves at least 2 psi less than the supply pressure. Close 'vent' valve C. Open 'high' valve A. Open the 'low' valve B very slowly until the differential gauge needle starts to drop. Hold the valve at this position and observe the gauge reading at the moment the first discharge is noted from the relief valve. Record this as the opening differential pressure of the relief valve.

Note: It is important that the differential gauge needle drops slowly. Close test cocks #2 and #3. Use 'vent' hose to relieve pressure from test kit by opening valves A, B and C. Remove all test equipment and open shutoff #2.



Series 957, 957N, 957Z, 957RPDA, LF957RPDA, 957NRPDA, LF957NRPDA, 957ZRPDA, LF957ZRPDA Check Repair Kits



ORDERING NO.	SIZE		DISC	MODEL
	in.	mm		

1st Check Kits

7018129	2½ - 4	65-100	EPDM	RK 957/957RPDA CK1
0889370	2½ - 4	65-100	RED SILICONE	RK 957/957RPDA CK1-RS
7018132	6	150	EPDM	RK 957/957RPDA CK1
0889374	6	150	RED SILICONE	RK 957/957RPDA CK1-RS
7018135	8	200	RED SILICONE	RK 957/957RPDA CK1
0899215	10	250	RED SILICONE	RK 957/957RPDA CK1

Kit consists of: First check module, Check module O-ring and Disc elastomer.

2nd Check Kits

0899216	2½ - 4	65-100	EPDM	RK 957/957RPDA CK2
0889371	2½ - 4	65-100	RED SILICONE	RK 957/957RPDA CK2-RS
0899217	6	150	EPDM	RK 957/957RPDA CK2
0889375	6	150	RED SILICONE	RK 957/957RPDA CK2-RS
0899218	8	200	RED SILICONE	RK 957/957RPDA CK2
0899219	10	250	RED SILICONE	RK 957/957RPDA CK2

Kit consists of: Second check module, Check module O-ring and Disc elastomer.

1st or 2nd Check Rubber Parts Kits

0899220	2½ - 4	65-100	EPDM	RK 957/957RPDA RC4
0889372	2½ - 4	65-100	RED SILICONE	RK 957/957RPDA RC4-RS
0899221	6	150	EPDM	RK 957/957RPDA RC4
0889376	6	150	RED SILICONE	RK 957/957RPDA RC4-RS
0899222	8	200	RED SILICONE	RK 957/957RPDA RC4
0899223	10	250	RED SILICONE	RK 957/957RPDA RC4

Kit consists of: Check module O-ring, Disc elastomer and E-clip

ORDERING NO.	SIZE		MODEL
	in.	mm	

Check Sleeve Cover Kits

0899240	2½ - 4	65-100	RK 957/957RPDA C
0899241	6	150	RK 957/957RPDA C
0899242	8	200	RK 957/957RPDA C
0899243	10	250	RK 957/957RPDA C

Kit consists of: Closure sleeve, Sleeve O-ring and gasket.

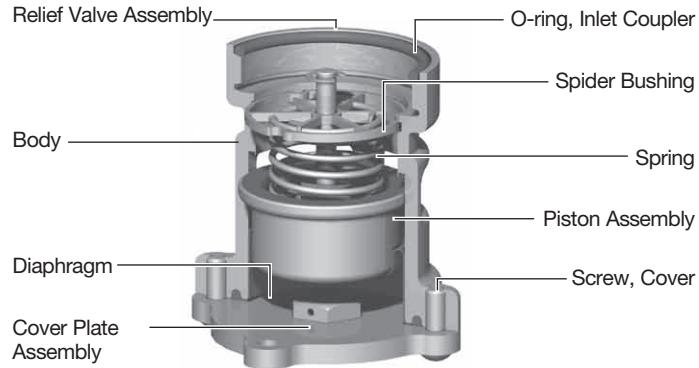
ORDERING NO.	SIZE		DISC	MODEL
	in.	mm		

Total Rubber Parts Kits

0899244	2½ - 4	65-100	EPDM	RK 957/957RPDA RT
0889373	2½ - 4	65-100	RED SILICONE	RK 957/957RPDA RT-RS
0899245	6	150	EPDM	RK 957/957RPDA RT
0889377	6	150	RED SILICONE	RK 957/957RPDA RT-RS
0899246	8	200	RED SILICONE	RK 957/957RPDA RT
0899247	10	250	RED SILICONE	RK 957/957RPDA RT

Kit consists of: 1st and 2nd Check module O-ring, (2) Disc elastomer, (2) E-clips, Relief valve diaphragm, Relief valve inlet coupler O-ring and Relief valve piston assembly.

Series 957, 957N, 957Z, 957RPDA, LF957RPDA, 957NRPDA, LF957NRPDA, 957ZRPDA, LF957ZRPDA Relief Valve Kits



ORDERING NO.	USE FOR	MODEL
Relief Valve Hose		
0298120	2½" – 4" (65-100mm) 957, 957RPDA	½ x ½ CFC-S-CFx20
0298121	2½" & 3" (65,80mm) 957, 957RPDA N & Z	½ x ½ CFC-S-CFx24
0298122	6" (150mm) 957, 4" 957N 2½", 3", 4" (65,80,100mm) 957Z 6", 8" (150,200mm) 957RPDA 4", 6", 8" (100,150,200mm) 957RPDA N & Z 2½", 3", 4" (65,80,100mm) 957RPDA BFG 2½", 3", 4", 6" (65,80,100,150mm) 957RPDA BFG N & Z	½ x ½ CFC-S-CFx30
0298123	8" & 10" (200 & 250mm) 957 6", 8", 10" (150, 200, 250mm) 957 N & Z 10" (250mm) 957RPDA N & Z 6" & 8" (150, 200mm) 957RPDABFG N & Z	½ x ½ CFC-S-CFx36

ORDERING NO.	SIZE in. mm	MODEL
Relief Valve Total Kit		
0899232	2½ - 10 65-250	RK 957/957RPDA VT

Kit consists of: Complete relief valve assembly

ORDERING NO.	SIZE in. mm	MODEL
Relief Valve Rubber Parts Kit		
0899236	2½ - 10 65-250	RK 957/957RPDA RV

Kit consists of: Diaphragm, Inlet coupler O-ring and Piston assembly

ORDERING NO.	SIZE in. mm	MODEL
Air Gap		
0111764	2½ – 10 65-250	957AG
0111815	2½ – 10 65-250	957AG Splash Guard

Series 957, 957RPDA, LF957RPDA Troubleshooting Guide

	#1 check is fouled	Remove and Clean #1 check
Relief valve discharges water while system is not flowing	Relief valve does not properly close	Service relief valve
	Municipal water pressure is fluctuating	Install check valve upstream of backflow assembly
Relief valve does not shut off properly	Fouled relief valve seat	Service relief valve
	Incorrectly installed diaphragm	Remove diaphragm and correctly install
	Damaged rubber surface on piston	Replace with new piston
	Damaged or plugged pressure hose	Repair or replace hose.

For additional information, visit our web site at: www.watts.com



A Watts Water Technologies Company



USA: 815 Chestnut St., No. Andover, MA 01845-6098; www.watts.com

Canada: 5435 North Service Rd., Burlington, ONT. L7L 5H7; www.wattscanada.ca

RP/IS-957/957RPDA 0936

EDP# 1915342

© 2009 Watts