

For Heating and Cooling Systems

Job Name _____

Contractor _____

Job Location _____

Approval _____

Engineer _____

Contractor's P.O. No. _____

Approval _____

Representative _____

Series ETX, ETSX

Pressurized Expansion Tanks for Heating and Cooling Systems*

Series ETX and ETSX Pressurized Expansion Tanks for Heating and Cooling Systems are designed to absorb the increased volume of water created when water is heated. These tanks maintain system pressure below the relief setting of the relief valve. The Series ETX and ETSX's pre-pressurized steel tank features a durable expansion membrane that prevents contact of the water with the air in the tank. This rugged diaphragm minimizes loss of the air change and ensures long and trouble-free life for the system.

Features

- Precharged at 12psi (83 kPa)
- Rugged flexible butyl diaphragm
- In-line and free standing models
- Compatible with glycol in systems
- Steel construction

Models

ETX Mounts to supply piping

ETSX Free standing

Specifications

Furnish and install as shown on plans a Watts Model ETX/ETSX _____ gallon _____ " diameter x _____ " (high) pre-charged steel expansion tank with a fixed butyl bladder. The tank shall have an NPT system connection and a .302"-32 charging valve connection (standard tire valve) to facilitate the on-site charging of the tank to meet system requirements. The tank shall be factory precharged to 12psi. The tank shall be a Watts Regulator Company Series ETX or ETSX.

Ratings

Maximum Working Temperature: 220°F (104°C)

Maximum Working Pressure:

ETX-15, ETX-30, ETX-60: 75psi (517 kPa)

ETX-90 and ETSX Series: 100psi (6.9 bar)

Precharge (field adjustable): 12psi (83 kPa)

*Not for use on potable water systems.

Materials

Diaphragm: Butyl rubber

Outer Shell: Carbon Steel with Epoxy finish



ETX



ETSX

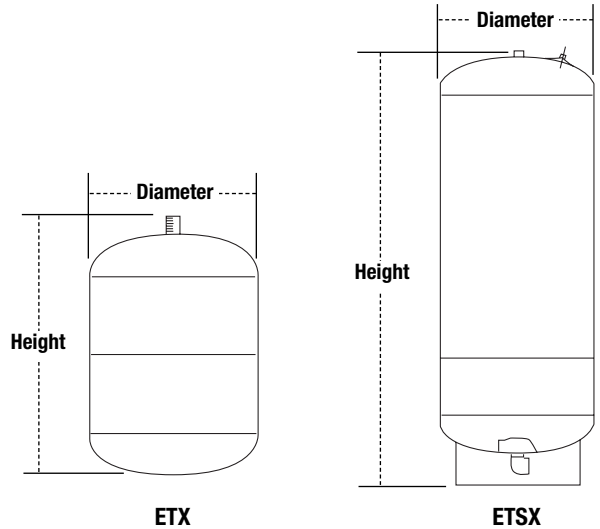
Watts product specifications in U.S. customary units and metric are approximate and are provided for reference only. For precise measurements, please contact Watts Technical Service. Watts reserves the right to change or modify product design, construction, specifications, or materials without prior notice and without incurring any obligation to make such changes and modifications on Watts products previously or subsequently sold.

Quick Sizing Chart				
Boiler Output Net BTU/H	Finned Tube Baseboard	Convectors or Unit Heaters	Cast Iron Radiators	Cast Iron Baseboard
Suggested Selection				
20,000	ETX-15	ETX-15	ETX-15	ETX-15
30,000	ETX-15	ETX-15	ETX-15	ETX-15
40,000	ETX-15	ETX-30	ETX-30	ETX-30
50,000	ETX-15	ETX-30	ETX-30	ETX-30
60,000	ETX-30	ETX-30	ETX-60	ETX-60
70,000	ETX-30	ETX-30	ETX-60	ETX-60
80,000	ETX-30	ETX-30	ETX-60	ETX-60
90,000	ETX-30	ETX-30	ETX-60	ETX-60
100,000	ETX-30	ETX-60	ETX-60	ETX-60
125,000	ETX-30	ETX-60	ETX-60	ETX-90
150,000	ETX-30	ETX-60	ETX-90	ETX-90
175,000	ETX-60	ETX-60	ETX-90	ETX-90
200,000	ETX-60	ETX-60	ETX-90	ETX-90
250,000	ETSX-30	ETSX-30	ETSX-40	ETSX-30
300,000	ETSX-30	ETSX-40	ETSX-40	ETSX-30
350,000	ETSX-30	ETSX-40	ETSX-60	ETSX-30
400,000	ETSX-30	ETSX-60	ETSX-90	ETSX-40
500,000	ETSX-40	ETSX-60	ETSX-90	ETSX-40
600,000	ETSX-40	ETSX-90	ETSX-90	ETSX-60
700,000	ETSX-60	ETSX-90	ETSX-90	ETSX-60
800,000	ETSX-60	ETSX-110	ETSX-110	ETSX-90
900,000	ETSX-60	ETSX-110	ETSX-110	ETSX-90
1,000,000	ETSX-90	ETSX-110	ETSX-110	ETSX-90
1,200,000	ETSX-90	ETSX-110	ETSX-160	ETSX-90
1,400,000	ETSX-110	ETSX-160	ETSX-160	ETSX-110
1,500,000	ETSX-110	ETSX-160	ETSX-110 (2)	ETSX-110

Note: These recommendations are based on the average water volume of typical closed systems.
 Fill pressure 12psi (83 kPa), relief valve set pressure of 30psi (207 kPa) and system temperature of 200°F (93°C)

Dimensions – Weights

MODEL	TANK VOL.	ACCEPT. VOL.	CONNECTION	DIAMETER		HEIGHT		WEIGHT	
	gal.	@12 psi		in	mm.	in	mm.	lbs.	kgs.
ETX-15	2.1	1.0	1/2" MNPT	8	203	12 1/2	318	5.0	2.3
ETX-30	4.5	2.5	1/2" MNPT	11	279	14	356	10.0	4.54
ETX-60	6.0	3.0	1/2" MNPT	11 3/8	290	17 3/16	437	11.5	5.22
ETX-90	15.0	6.0	3/4" MNPT	16	406	20 13/16	528	28.0	12.70
ETSX-30	15.0	6.0	1" FNPT	16	406	21 11/16	551	32.0	14.51
ETSX-40	20.0	8.0	1" FNPT	16	406	28 13/16	732	39.0	17.69
ETSX-60	33.0	13.3	1" FNPT	16	406	42 3/16	1087	57.0	28.85
ETSX-90	44.0	17.7	1 1/4" FNPT	21	533	36 3/16	919	72.0	32.66
ETSX-110	62.0	24.9	1 1/4" FNPT	21	533	47 7/8	1217	112.0	50.80
ETSX-160	81.0	32.6	1 1/4" FNPT	21	533	62	1575	123.0	55.79



Water Safety & Flow Control Products



USA: 815 Chestnut St., No. Andover, MA 01845-6098; www.watts.com

Canada: 5435 North Service Rd., Burlington, ONT. L7L 5H7; www.wattscanada.ca