

For Non-Health Applications

Job Name _____

Contractor _____

Job Location _____

Approval _____

Engineer _____

Contractor's P.O. No. _____

Approval _____

Representative _____

Series 9D Dual Check Valve with Intermediate Atmospheric Vent

Sizes: 1/2" M3 (15mm), 3/4" M2 (20mm)

Series 9D is specially made for smaller supply lines and ideally suited for laboratory equipment, processing tanks, sterilizers, dairy equipment and similar applications. It is particularly recommended for boiler feed lines to prevent backflow when supply pressure falls below system pressure.

Series 9D is suitable for use on hot or cold water and can be used under continuous pressure. It features a primary check valve utilizing a rubber disc seating against a mating rubber part to ensure tight closing. A secondary check valve utilizes a rubber disc-to-metal seating. In the event of fouling of the downstream check valve, leakage would be vented to atmosphere through the vent port thereby safeguarding the potable water system. Construction is brass body with stainless steel working parts, integral strainer and durable rubber discs. Female union inlet and outlet connections. Sizes 1/2" (15mm) and 3/4" (20mm). Drain is 1/2" (15mm) thread connection.

Features

- True line-sized construction allows the check modules to open further allowing dirt and debris to pass more freely reducing check fouling
- Stainless steel internal parts
- Maximum flow at low pressure drop
- Furnished with union connections to facilitate removal and replacement for maintenance
- Compact for economy combined with performance
- Design simplicity for easy maintenance
- Can be installed vertically or horizontally

Specifications

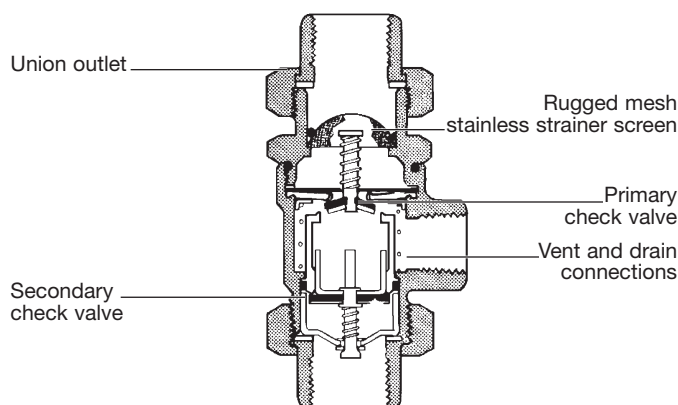
For Backflow Preventers with Atmospheric vents

A Dual Check Valve with Atmospheric Vent shall be installed at referenced cross-connections. Valve shall feature stainless steel and rubber internals protected by an integral strainer. Primary check shall be rubber to rubber seated, backed by the secondary check with rubber to metal seating. The device shall be ASSE approved under Std. 1012 and shall be a Watts Series 9D.



9D-M2

May also be installed vertically



Brass body construction and stainless working parts throughout

Available Models

Suffix:

S – for 1/2" (15mm) union end solder connections.

SC – for satin chrome finish

LU – less union

**IMPORTANT: INQUIRE WITH GOVERNING AUTHORITIES
FOR LOCAL INSTALLATION REQUIREMENTS**

Materials

Forged brass body construction
 Stainless steel internal parts
 Durable, tight seating rubber check valve assemblies

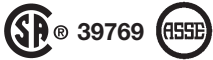
Pressure — Temperature

Temperature Range 33°F – 250°F (0.5°C – 121°C).
 Maximum Working Pressure: 175psi (12.1 bar)
 Minimum Required Pressure: 25psi (172 kPa).

Standards

ASSE 1012
 CSA B64

Approvals

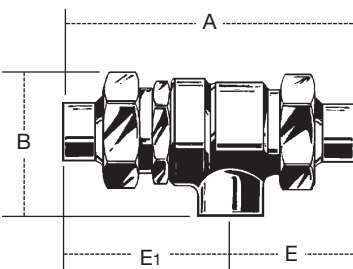


Certified by CSA
 N.Y.C. BSA 104-75-SM

Tested and approved Conformance with Standard 1012 of the American Society of Sanitary Engineers and by all principal cities, states and areas having these requirements.

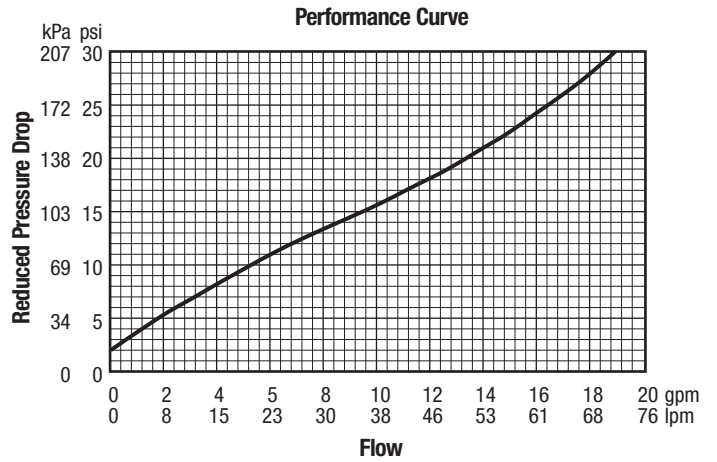
IMPORTANT: This valve should only be used and properly installed so that spillage of water could not cause damage. To avoid water damage due to valve operation, a drain pipe must be installed. It should terminate approximate 12" (305mm) above a floor drain or through an air gap piped to a floor drain, or other suitable place of disposal. Under no circumstances, should the vent opening or drain line be plugged.

Dimensions — Weight

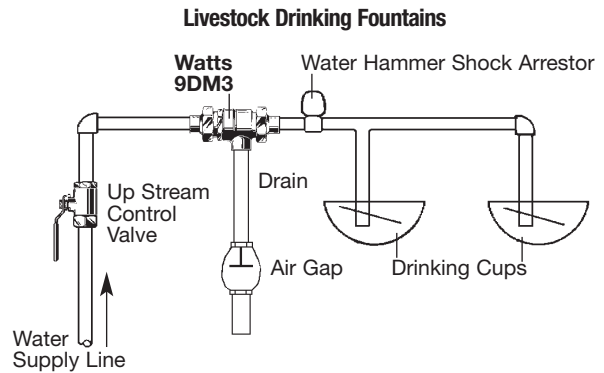
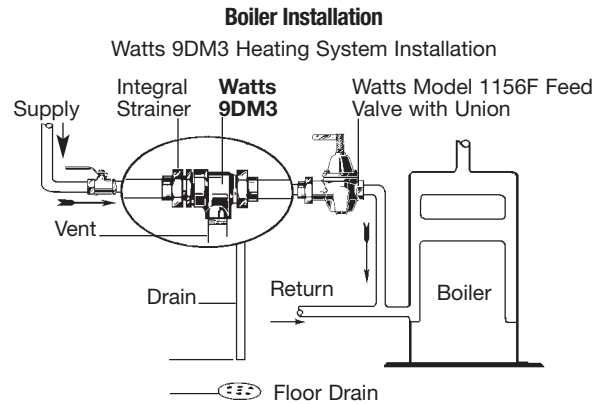


| MODEL | SIZE | | DIMENSIONS | | | | | | | | WEIGHT | |
|--------|------|----|---------------------------------|-----|--------------------------------|----|---------------------------------|----|--------------------------------|----|--------|-----|
| | in. | mm | A | | B | | E | | E1 | | lbs. | kg. |
| 9DM3 | 1/2 | 15 | 4 ¹⁵ / ₁₆ | 125 | 2 ⁹ / ₁₆ | 65 | 1 ¹⁵ / ₁₆ | 49 | 2 ⁹ / ₁₆ | 65 | 1 1/2 | .68 |
| 9DM3-S | 1/2 | 15 | 4 ³ / ₈ | 111 | 2 ⁹ / ₁₆ | 65 | 1 ¹⁵ / ₁₆ | 49 | 2 ⁹ / ₁₆ | 65 | 1 1/2 | .68 |
| 9DM2 | 3/4 | 20 | 4 ¹ / ₂ | 114 | 2 ⁹ / ₁₆ | 65 | 1 ¹⁵ / ₁₆ | 49 | 2 ⁹ / ₁₆ | 65 | 1 3/4 | .79 |
| 9DM2-S | 3/4 | 20 | 4 ¹³ / ₁₆ | 122 | 2 ⁹ / ₁₆ | 65 | 2 ¹ / ₁₆ | 52 | 2 ³ / ₄ | 70 | 1 3/4 | .79 |

Capacity



Installations



A Watts Water Technologies Company

