

Job Name _____

Contractor _____

Job Location _____

Approval _____

Engineer _____

Contractor's P.O. No. _____

Approval _____

Representative _____

LEAD FREE*

Series LF709 Double Check Valve Assemblies

Sizes: 2½" – 10"

Series LF709 Double Check Valve Assemblies are designed to prevent the reverse flow of polluted water from entering into the potable water system. This series can be applied, where approved by the local authority having jurisdiction, on non-health hazard installations. Series LF709 features a modular check design concept to facilitate easy maintenance. Check with local jurisdictional authority as to installation requirements. The LF709 features Lead Free* construction to comply with Lead Free* installation requirements.

Features

- Replaceable stainless steel seats
- Maximum flow at low pressure drop
- Design simplicity for easy maintenance
- No special tools required for servicing
- Captured spring assemblies for safety
- Approved for vertical flow up installation

Models

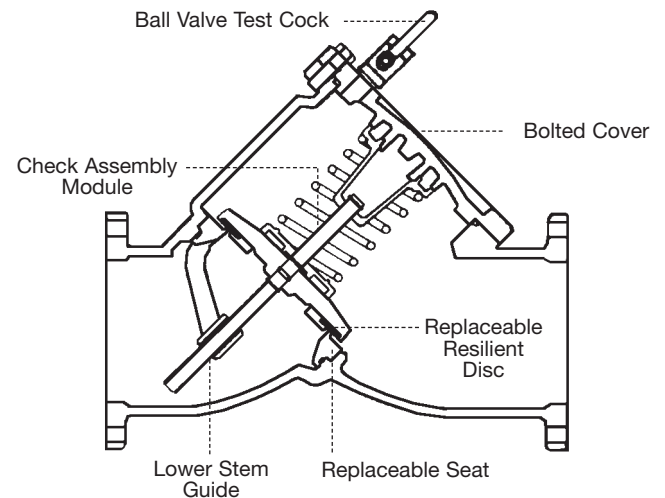
Suffix:

NRS	non-rising stem resilient seated gate valves
OSY	UL/FM outside stem and yoke resilient seated gate valves
S-FDA	FDA epoxy coated strainer
QT-FDA	FDA epoxy coated ball valve shutoffs
LF	without shutoff valves

Specifications

A Double Check Valve Assembly shall be installed at referenced cross-connections to prevent the backflow of polluted water into the potable water supply. The cross-connections shall be determined by local inspection authority for use where a high hazard situation does not exist. Valve shall feature modular check assemblies with center stem guiding. Each check module shall have a captured spring and be accessible through a bolted cover plate. Seats shall be replaceable without special tools. It shall be a complete assembly including tight-closing resilient seated shutoff valves, test cocks, and a strainer is recommended. The Lead Free* Double Check Assemblies shall comply with state codes and standards, where applicable, requiring reduced lead content. The assembly shall meet the requirements of ASSE No. 1015; AWWA C510-92; CSA B64.5 and UL Classified File No. EX3185. Approved by the Foundation for Cross-Connection Control and Hydraulic Research at the University of Southern California. Assembly shall be a Watts Series LF709.

Now Available
WattsBox Insulated Enclosures.
For more information, refer to literature ES-WB.



Check Assembly Module

Series LF709 features a modular design concept which facilitates complete maintenance and assembly by retaining the spring load. Also, the first and second check module are identical and can be interchanged.

NOTICE

The information contained herein is not intended to replace the full product installation and safety information available or the experience of a trained product installer. You are required to thoroughly read all installation instructions and product safety information before beginning the installation of this product.

NOTICE

Inquire with governing authorities for local installation requirements

*The wetted surface of this product contacted by consumable water contains less than 0.25% of lead by weight.

Watts product specifications in U.S. customary units and metric are approximate and are provided for reference only. For precise measurements, please contact Watts Technical Service. Watts reserves the right to change or modify product design, construction, specifications, or materials without prior notice and without incurring any obligation to make such changes and modifications on Watts products previously or subsequently sold.

Materials

Check Valve Bodies: Epoxy coated cast iron
 Seats: Stainless Steel

Pressure – Temperature

Temperatures Range: 33°F – 110°F (0.5°C – 43°C) continuous,
 140°F (60°C) intermittent

Maximum Working Pressure: 175psi (12.1 bar)

Standards

AWWA C510-92

IAPMO PA 31

USC Manual for Cross-Connection Control, 8th Edition

Approvals

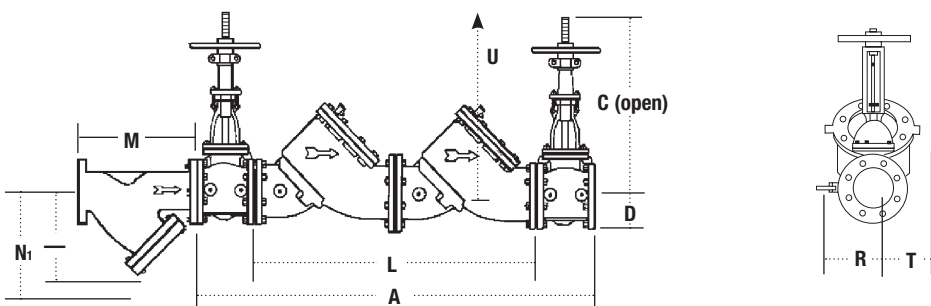


Approved by the Foundation for Cross-Connection Control and Hydraulic Research at the University of Southern California. Sizes 4" – 10" approved horizontal and vertical "flow up". Size 2½" and 3" approved horizontal only.

Factory Mutual approved 4" – 10" vertical "flow up" with OSY gate valves only.

Note: Model "S" not listed

Dimensions – Weights



SIZE	DIMENSIONS															
	A		C (OSY)		C (NRS)		D		L		U††		M		N	
in.	in.	mm	in.	mm	in.	mm	in.	mm	in.	mm	in.	mm	in.	mm	in.	mm
2½	39 ⁷ / ₁₆	1002	16 ³ / ₈	416	9 ³ / ₈	238	3½	89	24 ¹ / ₈	613	11	279	10	254	6½	165
3	40 ⁷ / ₁₆	1027	18 ⁷ / ₈	479	10¼	260	3¾	95	24 ¹ / ₈	613	14	356	10 ¹ / ₈	257	7	178
4	52 ³ / ₈	1332	22¾	578	12 ³ / ₁₆	310	4½	114	34 ¹ / ₈	867	14	356	12 ¹ / ₈	308	8¼	210
6	62 ¹⁵ / ₁₆	1599	30 ¹ / ₈	765	16	406	5½	140	41 ⁵ / ₈	1058	16	406	18½	470	13½	343
8	75 ⁷ / ₁₆	1916	37¾	959	19 ¹⁵ / ₁₆	506	6½	165	52 ¹ / ₈	1325	21	533	21 ⁵ / ₈	549	15½	394
10	90 ⁷ / ₁₆	2297	45¾	1162	23 ¹³ / ₁₆	605	8	203	64 ¹ / ₈	1630	25	635	26	660	18½	470

SIZE	DIMENSIONS								WEIGHT				STRAINER			
	N1†		R		R❖		T		NRS		OSY		QT		Weight	
in.	in.	mm	in.	mm	in.	mm	in.	mm	lbs.	kgs	lbs.	kgs	lbs.	kgs	lbs.	kgs
2½	10	254	4	102	16	406	3	76	167	76	170	77	154	70	28	13
3	10	254	5	127	16	406	3	76	167	76	170	77	162	73	34	15
4	12	305	6	152	19¾	502	6	152	368	167	383	174	275	125	60	27
6	20	508	11	279	26	660	7½	191	627	284	707	321	611	277	122	55
8	22¾	578	11¼	286	11¼	286	9	229	1201	545	1307	593	1419	644	247	112
10	28	711	12½	318	12½	318	10¼	260	2003	909	2073	940	2466	1119	370	168

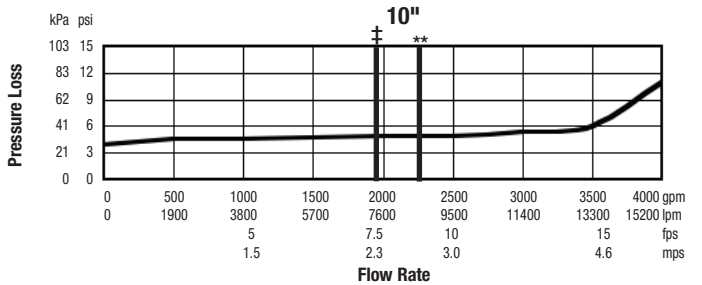
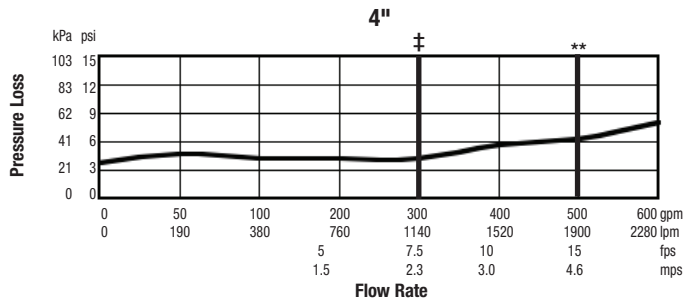
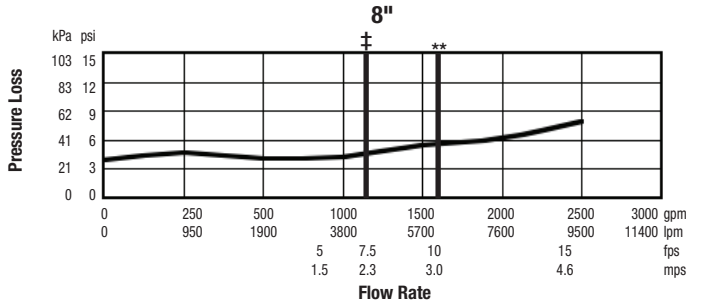
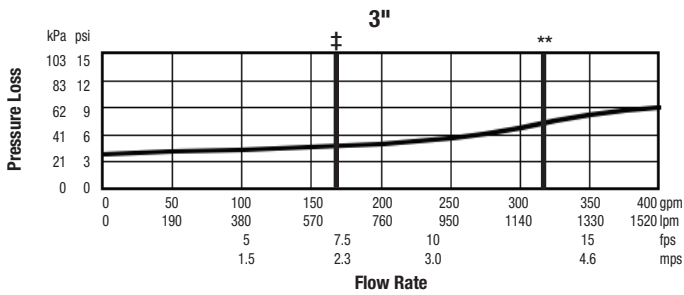
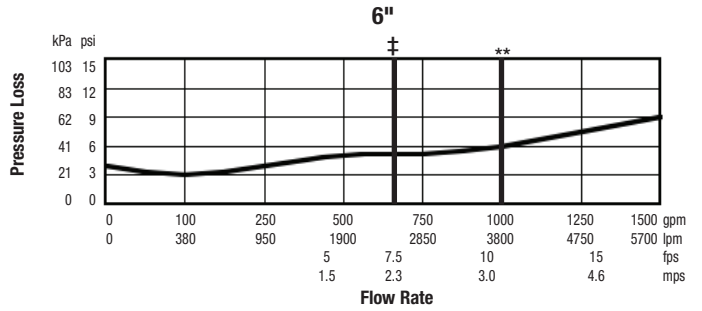
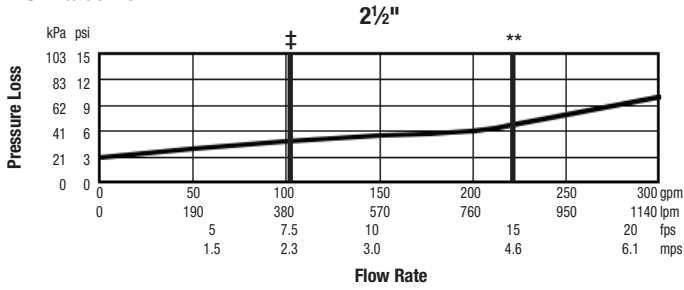
†Dimension required for screen removal. ❖Quarter-turn (QT) valve dimensions.

††Service clearance for check assembly from center.

Capacity

‡Typical maximum system flow rate (7.5 feet/sec.)

**UL rated flow



USA: T: (978) 689-6066 • F: (978) 975-8350 • Watts.com
 Canada: T: (888) 208-8927 • F: (888) 479-2887 • Watts.ca
 Latin America: T: (52) 55-4122-0138 • Watts.com