

## For Commercial and Industrial Applications

Job Name \_\_\_\_\_

Contractor \_\_\_\_\_

Job Location \_\_\_\_\_

Approval \_\_\_\_\_

Engineer \_\_\_\_\_

Contractor's P.O. No. \_\_\_\_\_

Approval \_\_\_\_\_

Representative \_\_\_\_\_

# LEAD FREE\*

## Series LFB6080G2, LFB6081G2 2-Piece, Full Port, Lead Free\* Bronze Ball Valves

**Sizes: 1/4" – 2" (8 – 50mm)**

Series LFB6080G2, LFB6081G2 2-Piece, Full Port, Lead Free\* bronze Ball Valves are used in commercial and industrial applications for a full range of liquids and gasses. They feature a blowout proof pressure full-port orifice which ensures minimal pressure drop. Model LFB6080G2 has threaded NPT end connections and Model LFB6081G2 has solder end connections. The Series LFB6080G2 and LFB6081G2 features Lead Free\* construction to comply with Lead Free\* installation requirements. Pressure rating for 1/4" – 2": 600psi WOG (non-shock) 150psi WSP.

### Features

- Lead Free\*, forged bronze body and adapter
- Full range of sizes from 1/4" – 2" (8 – 50mm)
- Stainless steel ball & stem option
- Minimal pressure drop due to large ports
- Blowout proof, pressure retaining stem
- Certified to NSF 372
- Adjustable stem packing gland
- White handles for easy Lead Free\* identification
- BAA Compliant

### Models

**LFB6080G2** 1/4" – 2" (8 – 50mm) threaded NPT end connections

**LFB6081G2** 3/8" – 2" (8.5 – 50mm) solder end connections\*\*

**LFB6080G2-SS** 1/4" – 2" (8 – 50mm) 316 stainless steel ball and stem threaded NPT end connections

**LFB6081G2-SS** 3/8" – 2" (8.5 – 50mm) 316 stainless steel ball and stem solder end connections

### Pressure — Temperature

Temperature Range: 0°F - 400°F (-18°C – 205°C) @ 50psi (3.4 bar)

Pressure Range: 1/4" – 2" (8 – 50mm),  
600psi (41 bar) WOG non-shock; 150psi (10 bar) WSP



### Specifications

A 2-piece full port Lead Free\* bronze ball valve to be installed as indicated on the plans. Valves with top loaded stems or valves without adjustable packing are not acceptable. Pressure rating no less than 600psi (41 bar) WOG non-shock 150psi (10 bar) WSP for 1/4" – 2". The valve shall be constructed using Lead Free\* bronze. Lead Free\* ball valves shall comply with state codes and standards, where applicable, requiring reduced lead content. Valve must conform to NSF 372 and shall be a Watts Series LFB6080G2 (threaded) or LFB6081G2 (solder).

### Approvals



**\*The wetted surface of this product contacted by consumable water contains less than 0.25% of lead by weight.**

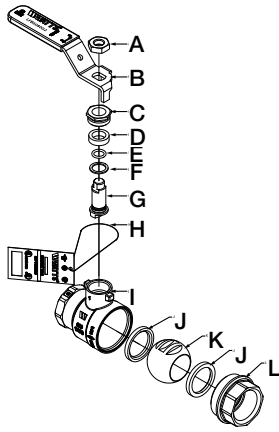
\*\*This valve is designed to be soft soldered into lines without disassembly, using a low temperature solder 420°F (216°C). Other solders such as 95/5 tin antimony 460°F (238°C) or 96/4 tin silver 420°F (216°C) can be used, however extreme caution must be used to prevent seat damage. Higher temperature solders will damage the seat material. ANSI B.16.18 states that the maximum operating pressure of 50-50 solder connections is 200psi (14 bar) at 100°F (38°C) and decreases with higher temperature.

### NOTICE

Apply heat with the flame directed **AWAY** from the center of the valve body. Excessive heat can harm the seats. After soldering, the packing nut may have to be tightened.

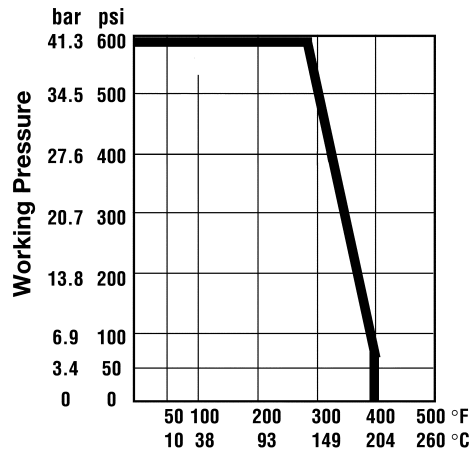
Watts product specifications in U.S. customary units and metric are approximate and are provided for reference only. For precise measurements, please contact Watts Technical Service. Watts reserves the right to change or modify product design, construction, specifications, or materials without prior notice and without incurring any obligation to make such changes and modifications on Watts products previously or subsequently sold.

## Materials



- A. Handle Nut Zinc-plated carbon steel
- B. Handle Assembly Zinc-plated carbon steel with vinyl insulator
- C. Packing Nut Brass
- D. Stem Packing Virgin PTFE
- E. O-ring Fluorocarbon elastomer (FKM)
- F. Thrust Washer Virgin PTFE
- G. Stem Lead Free\* Brass
- H. Tag Cardboard, Mylar coated both sides
- I. Body Forged Lead Free\* bronze
- J. Seats Virgin PTFE
- K. Ball Chrome-plated Lead Free\* brass
- L. Adapter Forged Lead Free\* bronze

## Temperature – Pressure



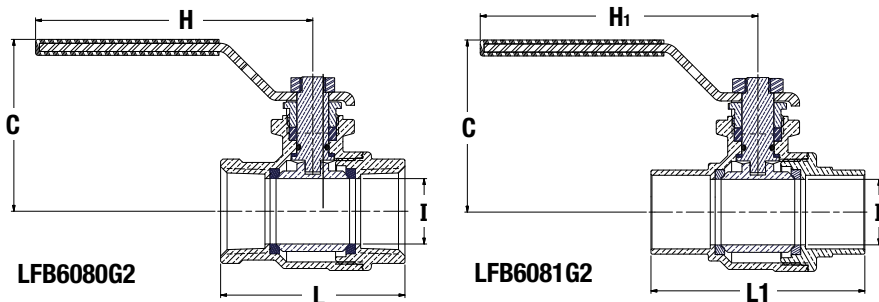
\*See applicable note on reverse side for solder end valves with regards to pressure/temperature rating.

## Options

- SS Stainless steel ball and stem
- HK Stem Extension Kits

Stem Extension Kits	
#5 SXI-HK	1/4 - 1/2
#6 SXI-HK	3/4
#7 SXI-HK	1 - 1 1/4
#8 SXI-HK	1 1/2
#9 SXI-HK	2
Memory Stop Kits	
#5 MSI-HK	1/4 - 1/2
#6 MSI-HK	3/4
#7 MSI-HK	1 - 1 1/4
#8 MSI-HK	1 1/2
#9 MSI-HK	2

## Dimensions – Weights



SIZE (DN)		DIMENSIONS										WEIGHT			
in	mm	C		H, H1		I		L		L1		LFB6080		LFB6081	
		in	mm	in	mm	in	mm	in	mm	in	mm	lbs.	kg	lbs.	kg
1/4"	8	1 13/16	46	3 7/16	87	7/16	11	1 3/4	47	-	-	0.4	0.2	-	-
3/8"	10	1 13/16	46	3 7/16	87	1/2	13	1 7/8	48.3	1 15/16	49	0.4	0.2	0.4	0.18
1/2"	15	1 13/16	46	3 7/16	87	1/2	13	2	57	2 1/8	54	0.5	0.22	0.4	0.18
3/4"	20	2 1/4	58	3 15/16	101	3/4	19	2 1/4	58	3	76	0.9	0.41	0.8	0.36
1"	25	2 5/8	67	4 1/4	108	1	26	3	77	3 1/2	89	1.4	0.65	1.3	0.57
1-1/4"	32	2 13/16	72	4 1/4	108	1 1/4	32	3 3/8	86	3 7/8	98	2.1	0.94	1.8	0.82
1-1/2"	40	3 3/16	80	5 5/16	135	1 1/2	38	3 11/16	93	4 5/16	109	3.1	1.4	2.7	1.23
2"	50	3 1/2	89	6	153	2	51	4 1/4	108	5 3/8	136	4.9	2.25	4.4	2.02



A Watts Water Technologies Company

USA: Tel: (978) 689-6066 • Fax: (978) 975-8350 • Watts.com

Canada: Tel: (905) 332-4090 • Fax: (905) 332-7068 • Watts.com

Latin America: Tel: (52) 81-1001-8600 • Fax: (52) 81-8000-7091 • Watts.com