

Watts IntelliFlow®

Automatic Washing Machine Shutoff Valve Model A2C-M1, A2C-WB-M1

⚠ WARNING



Read this Manual **BEFORE** using this equipment.
Failure to read and follow all safety and use information can result in death, serious personal injury, property damage, or damage to the equipment.
Keep this Manual for future reference.



NOTICE

This unit is not compatible with 240VAC powered washing machines or combination washer/dryers that are 240VAC powered. A Watts A2-IntelliTimer (purchased separately) may be used with the IntelliFlow® with washing machines or washer/dryers that are 240VAC powered. (See page 5)



***This valve requires a 120VAC, 60 Hz, 20 amp ground fault protected circuit.**

***Ground Fault Interrupter – A GFI circuit is not required for proper operation of the IntelliFlow®, but is strongly recommended as a safety device.**

⚠ WARNING



Surge Protection – Although a surge protector is not required for proper operation of the IntelliFlow®, it is strongly recommended, especially in areas where power surges or lightning strikes frequently occur.

Operating Instructions

The Watts IntelliFlow® Automatic Washing Machine Shutoff Valve is equipped with a state-of-the-art electric current sensing device. When the washing machine is turned on, the device senses current flow to the washing machine. This causes it to actuate its solenoid water valves, allowing water to flow to the washing machine. When the washing machine shuts off upon completion of the full wash cycle, the device senses the lack of current and closes the water valves. The IntelliFlow® remains closed until the next time you turn the washer on.

The leak sensor provides additional protection from water damage while the washing machine is in operation. Water detected at the sensor results in immediate shut off of water flow to the washing machine hose.

By installing an IntelliFlow®, you are protecting your home from potential major water damage from a burst or leaking washing machine inlet hose.

Operating Specifications

Electrical Rating: 120VAC, 60 Hz

Circuit Breaker Requirements: 20A GFI*

Max. Appliance Current Rating: 15A

Current Draw: 20mA (with appliance off)

Electrical Cord: 6 ft. type SJT 14 AWG

Max. Temperature: 180°F (82°C)

Max. Pressure: 150psi (10.3 bar)

Max. Operating Pressure Differential:
80 psi (5.5 bar)

Valve Body: Reinforced Polysulfone

Rubber Goods: Buna-N, EPDM

***Ground Fault Interrupter** – A GFI circuit is not required for proper operation of the

IntelliFlow®, but is strongly recommended as a safety device. In accordance with National Electric Code, NFPA 70, Section 210.11 Branch Circuits Required, at least one 20-ampere branch circuit shall be provided to supply the laundry receptacle outlets(s) required by Section 210.52(F). This circuit shall have no other outlets.

⚠ WARNING

***Surge Protection** – Although a surge protector is not required for proper operation of the IntelliFlow®, it is strongly recommended, especially in areas where power surges or lightning strikes frequently occur.

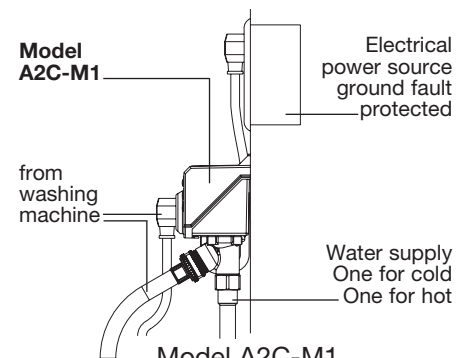


A2C-M1 IntelliFlow®

Patent Number 6,003,536

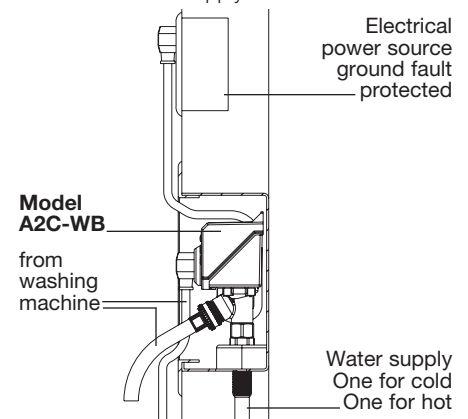


Leak Sensor



Model A2C-M1

½" solder connectors for exposed piping
Standardly furnished with ½" solder copper adapters. Either connection may be used for the hot or cold water supply.



Model A2C-WB-M1

Includes wall mount box. Wall mount box has water inlet connection holes spaced 2⅜" center to center. Furnished with ½" solder connectors. Either connection may be used for the hot or cold water supply.

WATTS®

Installing the A2C-M1 IntelliFlow®

⚠ WARNING

Power MUST be off during installation or servicing of the valve!
Do not plug valve into supply circuit until completion of assembly.

NOTICE For Vertical Installation Only!

1. Shut off electrical power supply.
2. Shut off both hot and cold water supply lines.
3. If retrofitting to an existing installation, disconnect the washing machine hoses from the existing shutoff valve(s).
4. Loosen the two (2) adapter nuts and remove both adapters from IntelliFlow® valve body.
5. Place adapter nuts over piping prior to soldering adapters.
6. Solder adapters onto piping.

NOTICE

Piping must be 2 3/8" on center (Figure 3).

7. Place O-rings on adapter grooves (Figure 3A).
8. Align and slip the valve body over adapters. Tighten adapter nuts.

NOTICE

- Do not over-tighten nuts.
To avoid cross threading, check thread alignment.
9. Connect the washing machine hoses to the IntelliFlow®'s hot and cold water outlets.
 10. Plug the washing machine into the IntelliFlow®'s electrical outlet.

NOTICE

- Appliance current rating must not exceed 15 amps.
11. Plug the IntelliFlow®'s power cord into a house electrical receptacle (Figure 4).

NOTICE

The IntelliFlow® requires a 120VAC, 60Hz, 15 amp ground-fault protected receptacle.*

12. Install Leak Sensor

NOTICE

The IntelliFlow® will detect any current flow to the washing machine when the washing machine is off. During startup or at any time during troubleshooting, the IntelliFlow valve can be reset to OFF condition by unplugging and reinstalling the leak sensor.

13. Turn on both hot and cold water supply lines, and check for leaks.
14. If there are no leaks, turn on the electrical power. Installation of the A2C-M1 IntelliFlow® is now complete.

***Ground Fault Interrupter – A GFI circuit is not required for proper operation of the IntelliFlow®, but is strongly recommended as a safety device.**

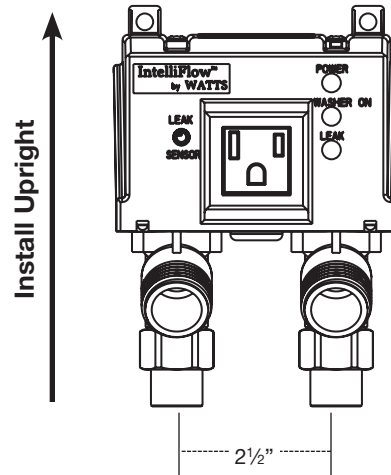


Figure 3

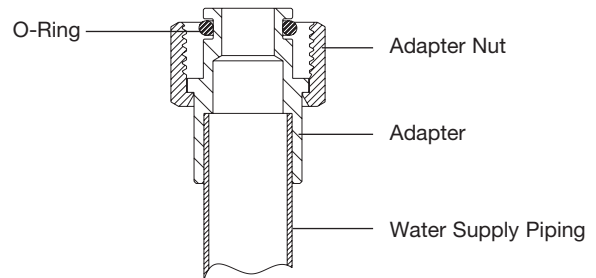


Figure 3A

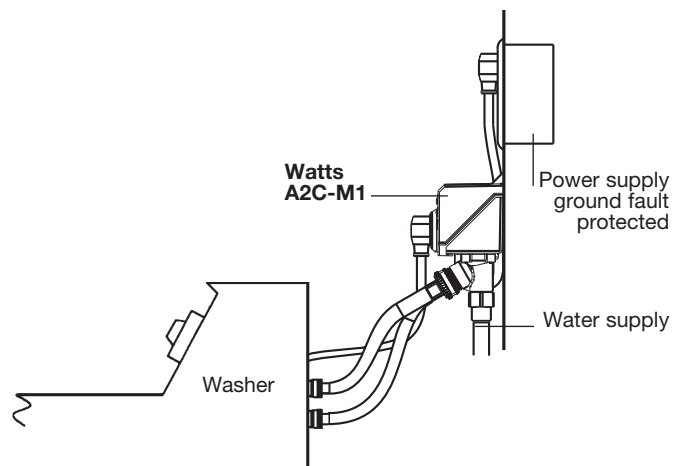


Figure 4

NOTICE

Use of the Watts Automatic Washing Machine Valve outlet for appliances other than a washing machine is not recommended and voids the warranty.

NOTICE

Do not plug valve into electrical supply circuit until you have completed installing the unit and reconnecting the water supply lines.

Installing the IntelliFlow® Wall Box Unit (A2C-WB-M1)

⚠ WARNING

Power MUST be off during installation or servicing of the valve!

Do not plug valve into supply circuit until completion of assembly.

NOTICE For Vertical Installation Only!

1. Shut off electrical power supply.
2. Shut off both hot and cold water supply lines.
3. Remove trim plate (Figs. No.5 & 6) and set aside until you've completed wall finishing (painting, wall papering, paneling, etc.).
4. Install the four mounting tabs provided in slots on the sides of the wall box enclosure (Fig. No. 7).
5. Position the A2C-WB-M1 between the wall studs as shown in Fig. No. 7. Check that it is level and fasten the mounting tabs to the studs.
6. Remove drain plug knock out. Install drain piping and water supply piping to the appropriate IntelliFlow® connection. Either IntelliFlow® connection may be used for the hot or cold water supply.

NOTICE

Excessive heat from soldering can damage plastic components. Use a heat sink to prevent damage.

7. Place O-rings on adapter grooves (Figure No. 3A).
8. Align and slip the valve body over adapters. Tighten adapter nuts.

NOTICE

Do not over tighten nuts.

To avoid cross threading, check thread alignment.

9. Prior to installing wall materials, turn on water supply (both hot and cold) and test for leaks. Test drain piping for leaks.
10. Turn off water supply until you've completed installing wall materials.

NOTICE

Installation must comply with local codes and ordinances. Inspection and approval of installation by local authorities may be required prior to installation of wall material. Check with local plumbing authorities for requirements.

11. Once you've finished the wall, install trim plate, connect washing machine water supply hoses to the IntelliFlow® valve and to the washing machine.
12. Plug washing machine into the IntelliFlow®'s electrical outlet.

NOTICE

Appliance current rating must not exceed 15 amps.

13. Insert the IntelliFlow®'s power cord into a house electrical outlet.

NOTICE

The IntelliFlow® requires a 120VAC, 60Hz, 15 amp ground-fault protected receptacle.*

14. Install Leak Sensor

NOTICE

The IntelliFlow® will detect any current flow to the washing machine when the washing machine is off. During startup or at any time during troubleshooting, the IntelliFlow valve can be reset to OFF condition by unplugging and reinstalling the leak sensor.

15. Turn on both hot and cold water supply lines, and check for leaks.
16. If there are no leaks, turn on the electrical power. Installation of the IntelliFlow® A2C-WB-M1 Wall Box Unit is now complete.

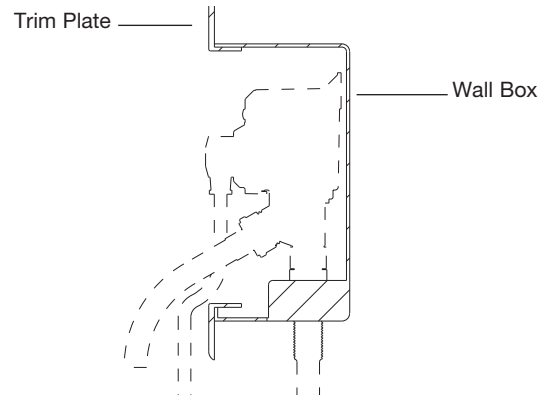


Figure 5
(side view)

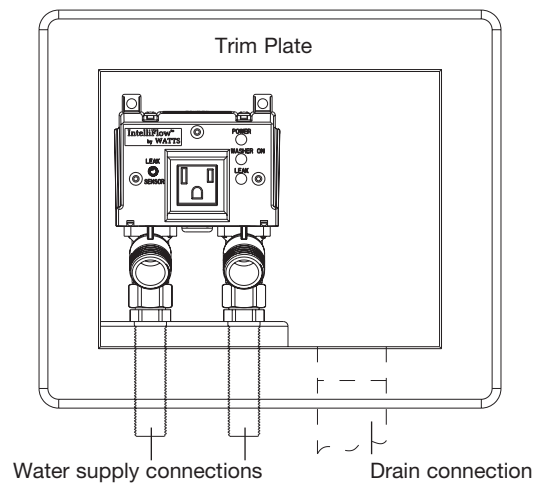


Figure 6
(front view)

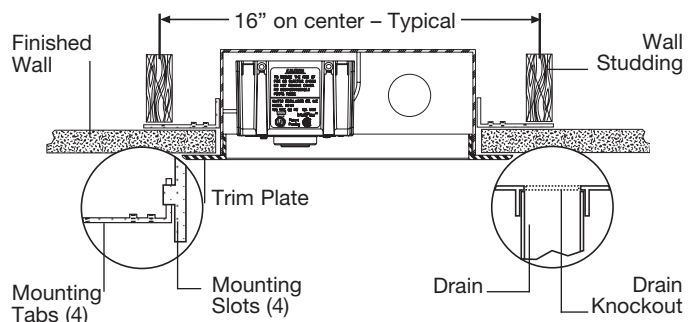


Figure 7
(top view)

*Ground Fault Interrupter – A GFI circuit is not required for proper operation of the IntelliFlow®, but is strongly recommended as a safety device.

Installing the Watts Model A2-LS Leak Sensor

Description:

The Watts Model A2-LS Leak Sensor plugs into the receptacle on the front panel of the Watts IntelliFlow® Series A2C-M1 or A2-WB-M1. The base of the sensor is placed on the floor close to the washing machine. Upon detection of water at the sensor the IntelliFlow® immediately shuts off the water supply to the washing machine hoses preventing catastrophic water damage.

Installation:

1. Insert the leak sensor contacts into the two holes on the top of the sensor base until the plug comes to a stop (Figure 2).
2. Place the sensor base on the floor behind the washing machine as close to the fill hoses as possible. Insure that the sensor base is lying flat with all feet in contact with the floor surface.
3. Insert the leak sensor plug (Figure 1) into the leak sensor receptacle on front panel (Figure 2).

Note: Some washing machine models include circuitry that causes a slight current draw at all times. These models when connected to the IntelliFlow® can cause the water supply to be energized continuously (Yellow LED: ON). The IntelliFlow® can be reset by unplugging and reinstalling the leak sensor.

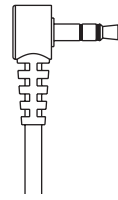


Figure 1
Sensor Plug

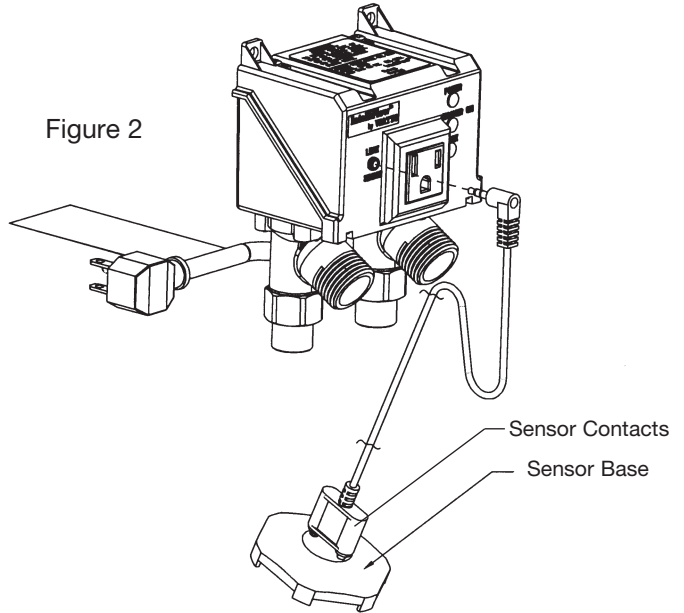


Figure 2

Sensor Contacts
Sensor Base

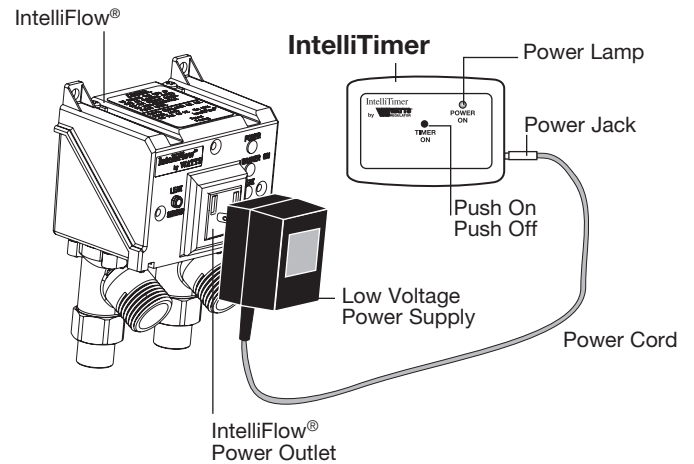
Accessories: Watts A2-IntelliTimer

The Watts A2-IntelliTimer is an optional accessory used in conjunction with the Watts IntelliFlow® Automatic Washing Machine Shutoff Valve. It is a remote timer which allows the IntelliFlow® to be used in applications where the washing machine or a combination washer/dryer is 240VAC powered. (The IntelliFlow® is not compatible with 240VAC powered appliances). The timer initiates a two-hour cycle when the button is depressed.

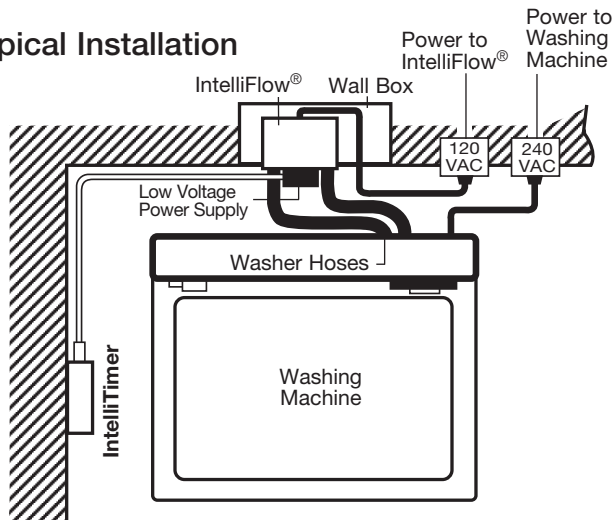
The A2-IntelliTimer low voltage power supply is plugged into the IntelliFlow® power outlet. The remote solid-state timer is installed in a location that is convenient to the user and connected to the low voltage power supply.

Activation of the push button on the timer causes current flow, which is detected by the IntelliFlow®. The IntelliFlow® then actuates the solenoid valves, allowing water to flow to the washing machine. This also begins a timing sequence of two hours, which, upon its completion de-energizes the IntelliFlow®, shutting off the flow of water to the washing machine. The timing sequence can be interrupted by activating the push button a second time.

A Green LED is illuminated whenever the A2-IntelliTimer is energized.



Typical Installation



Troubleshooting Guide

PROBLEM

SOLUTION

1. No water flow from either hot or cold water supply hose:
GREEN LED: **OFF**

1. Plug IntelliFlow® into electrical outlet.
2. Check electrical outlet for power (reset ground fault).

GREEN LED: **ON**
YELLOW LED: **OFF**
RED LED: **OFF / FAINT BLINK**

1. Plug washing machine into IntelliFlow® and turn on washing machine.
2. Confirm operation of washing machine by plugging it into a separate electrical outlet.

GREEN LED: **ON**
YELLOW LED: **OFF**
RED LED: **ON**

1. Leak sensor has detected water.
2. Check for broken or leaking hoses.
3. Unplug IntelliFlow® from electrical outlet, correct problem, then re-insert plug into outlet to reset valve.
4. Turn on washing machine.

GREEN LED: **ON**
YELLOW LED: **OFF**
RED LED: **BLINKING**

1. IntelliFlow® internal timing circuit has timed out. Turn off washing machine to reset timing circuit.
2. Turn on washing machine.

2. No water flow from one hose - (either Hot or Cold):
GREEN LED: **ON**
YELLOW LED: **ON**
RED LED: **OFF / FAINT BLINK**

1. Service strainers on washing machine hoses.
2. Service strainers on IntelliFlow® (see Figure 1). Caution prior to servicing strainers, first remove power to IntelliFlow® by unplugging, then shut off both hot and cold water supply to IntelliFlow®.

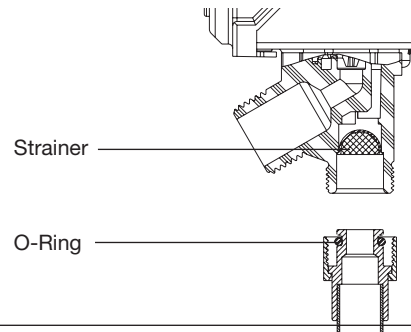


Figure 1

3. Yellow LED **Remains On**
GREEN LED: **ON**
YELLOW LED: **ON**
RED LED: **OFF / FAINT BLINK**

Some washing machine models include circuitry that causes a slight current draw at all times. These models when connected to the IntelliFlow® can cause the water supply to be energized continuously (Yellow LED: ON). The IntelliFlow® can be reset by unplugging and reinstalling the leak sensor.

4. Unit feels warm:

This condition is normal. Internal operating temperatures may cause unit to feel warm to the touch.

5. Unit cycles ON/OFF:

Installation in a horizontal position can cause abnormal overheating of the unit which causes this cycling condition. Unit must be installed in an upright position as shown on pages 2 and 3.

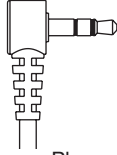
Front Panel Status Indicators

GREEN LED: **ON:** Unit powered

This lamp is illuminated whenever the IntelliFlow® is plugged into a powered wall outlet.

YELLOW LED: **ON:** Water supply Open.
OFF: Water Supply Closed.

This lamp is illuminated whenever the IntelliFlow® senses current flow (the washing machine is turned on). It is off when the washing machine is turned off.



Sensor Plug

NOTICE

Some washing machine models include circuitry that causes a slight current draw at all times. These models when connected to the IntelliFlow® can cause the water supply to be energized continuously (Yellow LED: ON).

RED LED: **ON:** Leak Sensed.

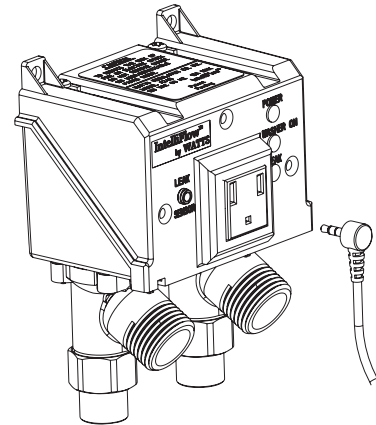
This lamp is illuminated when the leak sensor is installed and water has been detected at the sensor. The water supply to the washing machine hoses are interrupted when a leak is detected.

BLINKING: Unit Timed Out –

This lamp blinks whenever the internal timing circuit has timed out and has shut off the water supply to the washing machine hoses. Turning the washing machine Off then On will reset the timing circuit.

FAINT BLINK: (3-5 seconds) –

This condition indicates the leak sensor is unplugged. To provide the maximum level of protection, it is recommended that the leak sensor be installed at all times.



What is Surge Protection?

In many locations, changes in the AC voltage supply to the home by the electrical utility company can occur. Both lower voltage (brownouts) and high voltage (surges) can occur. Lightning strikes can also cause high voltage spikes to occur.

All electronic equipment is designed to operate properly within a voltage range. However, high voltage surges or spikes can damage sensitive circuitry within electronic equipment.

Surge protectors prevent voltage spikes from reaching electronic equipment.

What is Ground Fault Protection?

In many locations, an electrical differential between an electrical ground and a water pipe ground can exist. A person touching both grounds could receive a shock that may cause injury or death. A ground fault interrupter circuit (GFI) detects the differential and removes electrical power before injury can occur.

The IntelliFlow® does not cause or change the electrical differential that exists.

IntelliFlow® Retrofit Kit Options

IntelliFlow®

Retrofit Installation Kit KA2-BD Order No. 0004800

These mounting kits are specifically used to install the Watts Model A2C-M1 IntelliFlow® automatic washing machine shutoff valve to existing drain valves.

If Your Current Installation Looks Like:



----- KA2-BD -----

Final Installation Will Look Like:



left or right drain

If Your Current Installation Looks Like:



----- KA2-BD -----

Final Installation Will Look Like:



center drain

IntelliFlow®

Retrofit Kit KA2-R Order No. 0004805

This kit is used to replace the following Watts IntelliFlow® Models: A2-WB, A2C-WB, A2C-WB-M with the new IntelliFlow® Model A2C-M1.

If Your Current Installation Looks Like:



----- or -----



Wall box style with #2 Style, A2-WB, A2C-WB or A2C-WB-M

Final Installation Will Look Like:



A2C-M1

----- KA2-R -----

IntelliFlow®

Retrofit Kit KA2-A Order No. 0004804

This kit is used to replace the following Watts washing machine shutoff valves: the wall mounted Watts Models #2 Duo-Cloz valve and the wall mounted IntelliFlow® Models: A2, A2C, A2C-M with the new Watts IntelliFlow® Model A2C-M1.

If Your Current Installation Looks Like:



----- or -----



Wall box style with #2 Style, A2, A2C or A2C-M

Final Installation Will Look Like:



A2C-M1

----- KA2-A -----

WARNING: This product contains chemicals known to the State of California to cause cancer and birth defects or other reproductive harm.
For more information: Watts.com/prop65

Limited Warranty: Watts Regulator Co. (the "Company") warrants each product to be free from defects in material and workmanship under normal usage for a period of one year from the date of original shipment. In the event of such defects within the warranty period, the Company will, at its option, replace or recondition the product without charge.

THE WARRANTY SET FORTH HEREIN IS GIVEN EXPRESSLY AND IS THE ONLY WARRANTY GIVEN BY THE COMPANY WITH RESPECT TO THE PRODUCT. THE COMPANY MAKES NO OTHER WARRANTIES, EXPRESS OR IMPLIED. THE COMPANY HEREBY SPECIFICALLY DISCLAIMS ALL OTHER WARRANTIES, EXPRESS OR IMPLIED, INCLUDING BUT NOT LIMITED TO THE IMPLIED WARRANTIES OF MERCHANTABILITY AND FITNESS FOR A PARTICULAR PURPOSE.

The remedy described in the first paragraph of this warranty shall constitute the sole and exclusive remedy for breach of warranty, and the Company shall not be responsible for any incidental, special or consequential damages, including without limitation, lost profits or the cost of repairing or replacing other property which is damaged if this product does not work properly, other costs resulting from labor charges, delays, vandalism, negligence, fouling caused by foreign material, damage from adverse water conditions, chemical, or any other circumstances over which the Company has no control. This warranty shall be invalidated by any abuse, misuse, misapplication, improper installation or improper maintenance or alteration of the product.

Some States do not allow limitations on how long an implied warranty lasts, and some States do not allow the exclusion or limitation of incidental or consequential damages. Therefore the above limitations may not apply to you. This Limited Warranty gives you specific legal rights, and you may have other rights that vary from State to State. You should consult applicable state laws to determine your rights. **SO FAR AS IS CONSISTENT WITH APPLICABLE STATE LAW, ANY IMPLIED WARRANTIES THAT MAY NOT BE DISCLAIMED, INCLUDING THE IMPLIED WARRANTIES OF MERCHANTABILITY AND FITNESS FOR A PARTICULAR PURPOSE, ARE LIMITED IN DURATION TO ONE YEAR FROM THE DATE OF ORIGINAL SHIPMENT.**



A Watts Water Technologies Company

USA: Tel: (978) 689-6066 • Fax: (978) 975-8350 • Watts.com

Canada: Tel: (905) 332-4090 • Fax: (905) 332-7068 • Watts.com

Latin America: Tel: (52) 81-1001-8600 • Fax: (52) 81-8000-7091 • Watts.com

Watts IntelliFlow®

Válvula de cierre automático para lavadora modelo A2C-M1, A2C-WB-M1

⚠ ADVERTENCIA



Lea este manual **ANTES** de utilizar este equipo.

Si no lee y respeta toda la información sobre seguridad y uso, pueden ocasionarse muertes, lesiones personales graves, daños materiales o daños al equipo.

Conserve este manual para consultarlo en el futuro.



AVISO

Esta unidad no es compatible con las lavadoras que usan alimentación de 240 VCA ni con las lavadoras/secadoras que usan alimentación de 240 VCA. Es posible utilizar un dispositivo Watts A2-IntelliTimer (de venta por separado) en combinación con IntelliFlow® para las lavadoras o lavadoras/secadoras alimentadas por 240 VCA. (Consulte la página 5).



***Esta válvula requiere un circuito de 120 VCA, 60 Hz, 20 amp con protección de falla a tierra.**

•Interruptor de falla a tierra: este circuito no es obligatorio para el funcionamiento adecuado de IntelliFlow®, pero se recomienda utilizarlo como dispositivo de seguridad.

⚠ ADVERTENCIA



Protección contra sobrecargas: si bien no es obligatorio contar con un protector contra sobrecargas para el funcionamiento adecuado de IntelliFlow®, se recomienda utilizarlo, especialmente en zonas donde las sobrecargas o la caída de rayos sean frecuentes.

Instrucciones de funcionamiento

La válvula de cierre automático para lavadora Watts IntelliFlow® está equipada con un avanzado dispositivo de detección de corriente eléctrica. Cuando se enciende la lavadora, el dispositivo detecta el flujo de corriente hacia la lavadora y activa las válvulas de agua a solenoides para permitir que el agua fluya hacia la lavadora. Cuando la lavadora se apaga al finalizar el ciclo de lavado, el dispositivo detecta que no hay corriente y cierra las válvulas de agua. La válvula IntelliFlow® queda cerrada hasta la próxima vez que se enciende la lavadora.

El sensor de fugas ofrece protección adicional contra el daño provocado por el agua mientras la lavadora está en funcionamiento. Cuando el sensor detecta agua, el flujo de agua hacia la manguera de la lavadora se cierra de inmediato.

Al instalar una válvula IntelliFlow®, protege su hogar contra los nocivos daños que puede provocar el agua cuando hay explosiones o pérdidas en la manguera de la lavadora.

Especificaciones de funcionamiento

Potencia eléctrica: 120 VCA, 60 Hz

Requisitos del disyuntor: interruptor de falla a tierra de 20 A*

Máx. potencia de corriente del aparato: 15 A

Consumo de corriente: 20 mA (con el aparato apagado)

Cable eléctrico: SJT 14 AWG de 6 pies

no es obligatorio para el funcionamiento adecuado de IntelliFlow®, pero se recomienda utilizarlo como dispositivo de seguridad. De acuerdo con el Código Eléctrico Nacional, NFPA 70, sección 210.11, que trata la necesidad de circuitos ramificados, se necesita al menos un circuito ramificado de 20 amperios para el suministro de los tomacorrientes del ambiente del lavadero, de acuerdo con la sección 210.52(F). Este circuito no debe incluir ningún otro tomacorriente.

Máx. temperatura: 82 °C (180 °F)

Máx. presión: 10,3 bares (150 psi)

Máx. diferencial de presión de funcionamiento: 5,5 bares (80 psi)

Cuerpo de la válvula: polisulfona reforzada

Piezas de goma: Buna-N, EPDM

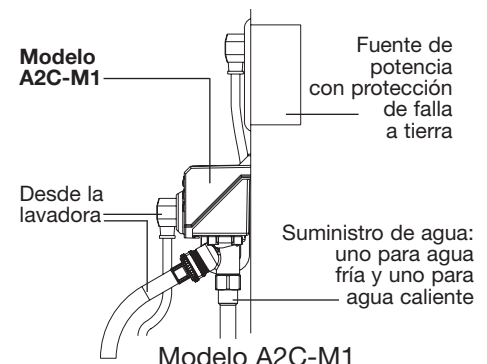
*Interruptor de falla a tierra: este circuito



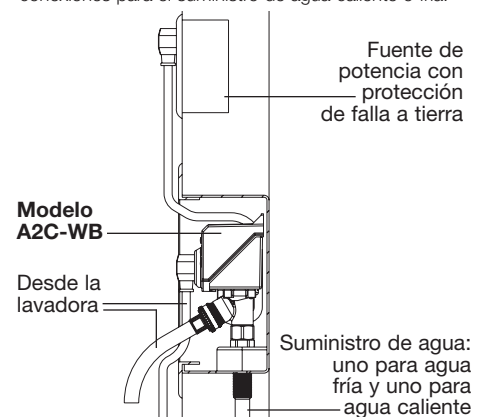
A2C-M1 IntelliFlow®
Número de patente 6.003.536



Sensor de fugas



Conectores de soldadura de 1/2" para cañerías expuestas
Se proporciona estándar con adaptadores de cobre de soldadura de 1/2". Puede usarse cualquiera de las conexiones para el suministro de agua caliente o fría.



Incluye caja de montaje en pared. La caja de montaje en pared tiene orificios de conexión de entrada de agua con una distancia de 2 3/8" entre centro y centro. Se suministra con conectores de soldadura de 1/2". Puede usarse cualquiera de las conexiones para el suministro de agua caliente o fría.

⚠ ADVERTENCIA

*Protección contra sobrecargas: si bien no es obligatorio contar con un protector contra sobrecargas para el funcionamiento adecuado de IntelliFlow®, se recomienda utilizarlo, especialmente en zonas donde las sobrecargas o la caída de rayos sean frecuentes.

WATTS®

Instalación de la válvula A2C-M1 IntelliFlow®

⚠ ADVERTENCIA

Durante las operaciones de instalación o mantenimiento de la válvula, la alimentación DEBE estar desactivada.
No conecte la válvula al circuito de alimentación hasta finalizar la instalación.

AVISO Solo para instalación vertical.

1. Desactive la alimentación eléctrica.
2. Cierre el suministro de agua caliente y fría.
3. Si está adaptando una instalación previa, desconecte las mangueras de la lavadora de las válvulas de cierre previas.
4. Afloje las tuercas de los dos (2) adaptadores y quite los adaptadores del cuerpo de la válvula IntelliFlow®.
5. Coloque las tuercas de los adaptadores sobre las cañerías antes de soldar los adaptadores.
6. Suelde los adaptadores en la cañería.

AVISO

- Las cañerías deben tener un tamaño de 2³/₈" en el centro (Figura 3).
7. Coloque las juntas tóricas en las muescas del adaptador (Figura 3A).
 8. Alinee el cuerpo de la válvula y deslícelo sobre los adaptadores. Ajuste las tuercas de los adaptadores.

AVISO

- No ajuste en exceso las tuercas.
Para evitar estropear la rosca, verifique la alineación de la rosca.
9. Conecte las mangueras de la lavadora a las salidas de agua fría y caliente de la válvula IntelliFlow®.
 10. Conecte la lavadora al tomacorriente de IntelliFlow®.

AVISO

- La corriente del aparato no puede superar los 15 amperios.
11. Conecte el cable de alimentación de IntelliFlow® a un receptáculo eléctrico hogareño (Figura 4).

AVISO

La válvula IntelliFlow® requiere un receptáculo con protección de falla a tierra de 120 VCA, 60 Hz y 15 amp.*

12. Instale el sensor de fugas.

AVISO

La válvula IntelliFlow® detecta cualquier flujo de corriente hacia la lavadora que se produzca mientras la máquina está apagada. Durante la puesta en marcha o en cualquier momento durante una reparación, es posible restablecer el estado desactivado de la válvula IntelliFlow desconectando y reinstalando el sensor de fugas.

13. Encienda las líneas de suministro de agua fría y caliente y compruebe que no haya fugas.
14. Si no hay fugas, encienda la alimentación eléctrica. Ha finalizado la instalación de la válvula A2C-M1 IntelliFlow®.

***Interruptor de falla a tierra: este circuito no es obligatorio para el funcionamiento adecuado de IntelliFlow®, pero se recomienda utilizarlo como dispositivo de seguridad.**

AVISO

No se recomienda usar el tomacorriente de la válvula automática para lavadora Watts en otros tipos de aparatos. Hacerlo anula la garantía.

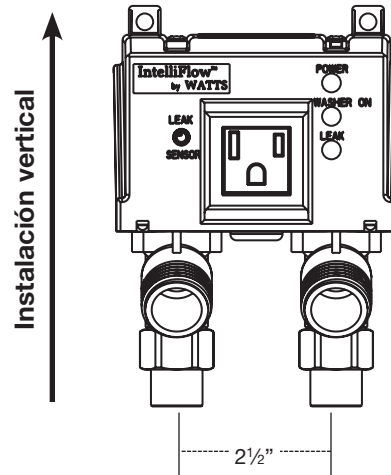


Figura 3

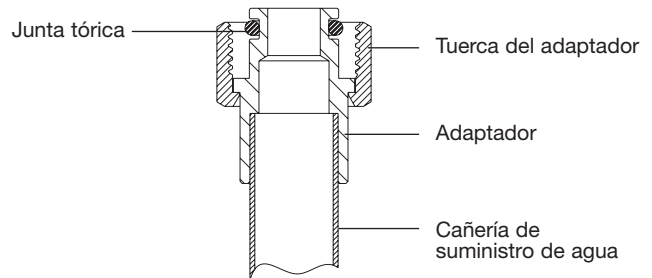


Figura 3A

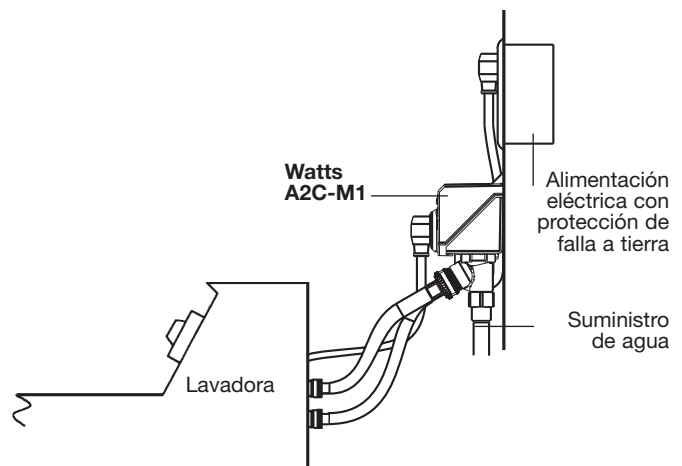


Figura 4

AVISO

No conecte la válvula al circuito de alimentación eléctrica hasta terminar de instalar la unidad y reconectar las líneas de suministro de agua.

Instalación de la unidad de caja de montaje en pared IntelliFlow® (A2C-WB-M1)

⚠ ADVERTENCIA

Durante las operaciones de instalación o mantenimiento de la válvula, la alimentación DEBE estar desactivada.

No conecte la válvula al circuito de alimentación hasta finalizar la instalación.

AVISO Solo para instalación vertical.

1. Desactive la alimentación eléctrica.
2. Cierre el suministro de agua caliente y fría.
3. Quite la placa de protección (Fig. 5 y 6) y déjela a un costado hasta que termine los trabajos en la pared (pintura, empapelado, colocación de paneles, etc.).
4. Instale las cuatro lengüetas de montaje suministradas en las ranuras ubicadas a los laterales del envoltorio para pared (Fig. 7).
5. Coloque la A2C-WB-M1 entre los montantes de pared, como se muestra en la Figura 7. Controle la nivelación y ajuste las lengüetas de montaje en los montantes.
6. Quite el tope de drenaje. Instale las cañerías de drenaje y de suministro de agua en la conexión de IntelliFlow® correspondiente. Puede usarse cualquiera de las conexiones de IntelliFlow® para el suministro de agua caliente o fría.

AVISO

El calor excesivo provocado por la soldadura puede dañar los componentes plásticos. Use un disipador para evitar daños.

7. Coloque las juntas tóricas en las muescas del adaptador (Figura 3A).
8. Alinee el cuerpo de la válvula y deslícelo sobre los adaptadores. Ajuste las tuercas de los adaptadores.

AVISO

No ajuste en exceso las tuercas.

Para evitar estropear la rosca, verifique la alineación de la rosca.

9. Antes de instalar los materiales de la pared, encienda el suministro de agua (fría y caliente) y compruebe si hay fugas. Controle si hay fugas en la cañería de drenaje.
10. Desactive el suministro de agua hasta que haya finalizado la instalación de los materiales de la pared.

AVISO

La instalación debe realizarse de acuerdo con los códigos y las ordenanzas locales. En algunos lugares, se requiere la inspección y aprobación de la instalación por parte de las autoridades locales antes de la instalación de los materiales de la pared. Consulte a sus autoridades correspondientes para conocer los requisitos.

11. Una vez que termine de trabajar en la pared, instale la placa de protección y conecte las mangueras de suministro de agua de la lavadora a la válvula IntelliFlow® y a la lavadora.
12. Conecte la lavadora al tomacorriente de IntelliFlow®.

AVISO

La corriente del aparato no puede superar los 15 amperios.

13. Inserte el cable de alimentación de IntelliFlow® en un tomacorriente hogareño.

AVISO

La válvula IntelliFlow® requiere un receptáculo con protección de falla a tierra de 120 VCA, 60 Hz y 15 amp.*

14. Instale el sensor de fugas.

AVISO

La válvula IntelliFlow® detecta cualquier flujo de corriente hacia la lavadora que se produzca mientras la máquina está apagada. Durante la puesta en marcha o en cualquier momento durante una reparación, es posible restablecer el estado desactivado de la válvula IntelliFlow desconectando y reinstalando el sensor de fugas.

15. Encienda las líneas de suministro de agua fría y caliente y compruebe que no haya fugas.
16. Si no hay fugas, encienda la alimentación eléctrica. Ha finalizado la instalación de la unidad de caja de montaje en pared IntelliFlow® A2C-WB-M1.

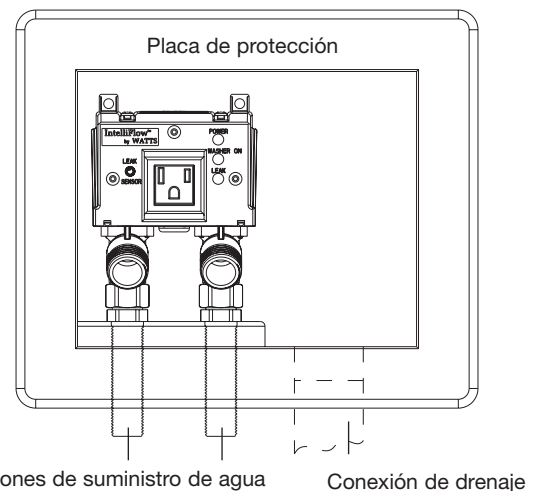
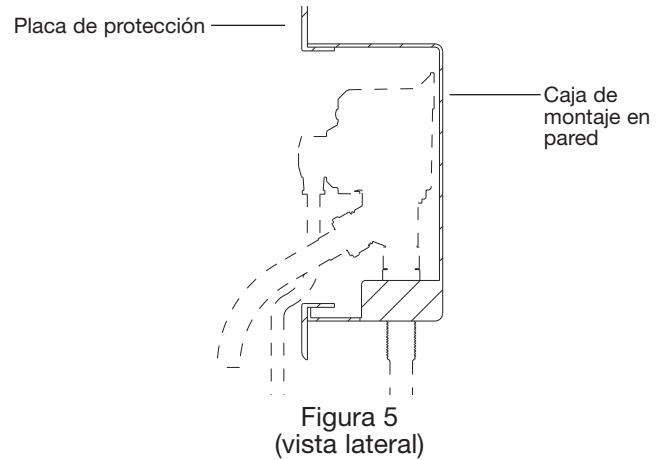


Figura 6 (vista frontal)

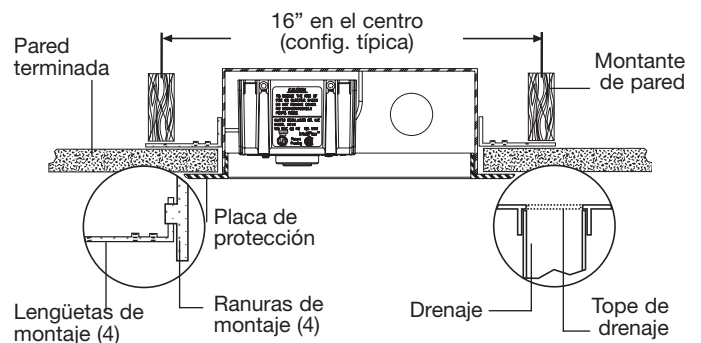


Figura 7 (vista superior)

*Interruptor de falla a tierra: este circuito no es obligatorio para el funcionamiento adecuado de IntelliFlow®, pero se recomienda utilizarlo como dispositivo de seguridad.

Instalación del sensor de fugas Watts modelo A2-LS

Descripción:

El sensor de fugas Watts modelo A2-LS se conecta al orificio ubicado en el panel frontal de la válvula Watts IntelliFlow® serie A2C-M1 o A2-WB-M1. La base del sensor se coloca en el piso, cerca de la lavadora. Cuando el sensor IntelliFlow® detecta agua, cierra de inmediato el suministro de agua hacia la manguera de la lavadora para evitar daños graves a causa del agua.

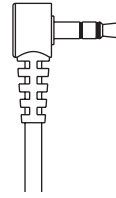
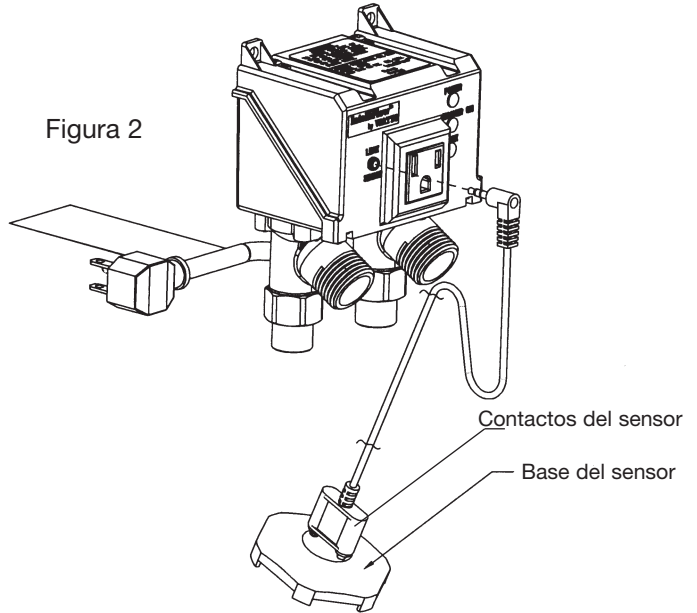


Figura 1
Conector del sensor

Instalación:

1. Inserte los contactos del sensor de fugas en los dos orificios ubicados en la parte superior de la base del sensor hasta que hagan tope (Figura 2).
2. Coloque la base del sensor en el piso, detrás de la lavadora, lo más cerca posible de las mangueras de llenado. Asegúrese de que la base del sensor esté bien apoyada, con todas las patas en contacto con la superficie del piso.
3. Inserte el conector del sensor de fugas (Figura 1) en el orificio del sensor de fugas del panel frontal (Figura 2).

Nota: Algunos modelos de lavadora tienen circuitos que provocan un consumo de corriente leve en todo momento. Si se conectan estos modelos a la válvula IntelliFlow®, es posible que se alimente constantemente el suministro de agua (LED amarillo: ENCENDIDO). Es posible restablecer la válvula IntelliFlow® si se desconecta y se reinstala el sensor de fuga.



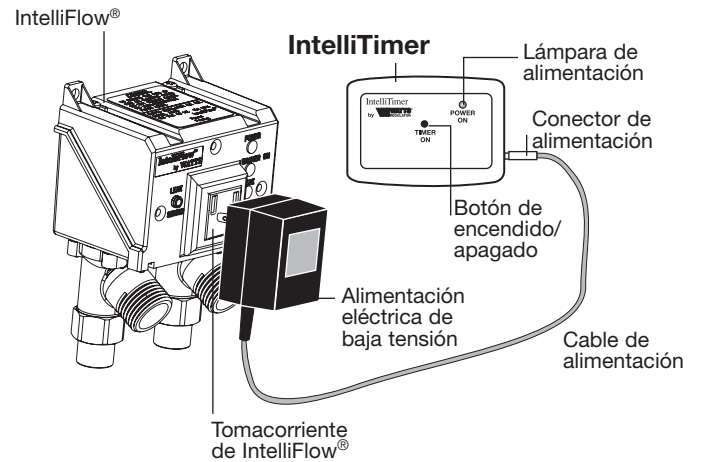
Accesorios: Watts A2-IntelliTimer

El dispositivo Watts A2-IntelliTimer es un accesorio opcional que se usa junto con la válvula de cierre automático para lavadora Watts IntelliFlow®. Se trata de un temporizador remoto que permite utilizar IntelliFlow® en instalaciones donde la lavadora o la lavadora/secadora tiene una alimentación de 240 VCA. (La válvula IntelliFlow® no es compatible con aparatos alimentados a 240 VCA). Cuando se presiona el botón, el temporizador inicia un ciclo de dos horas.

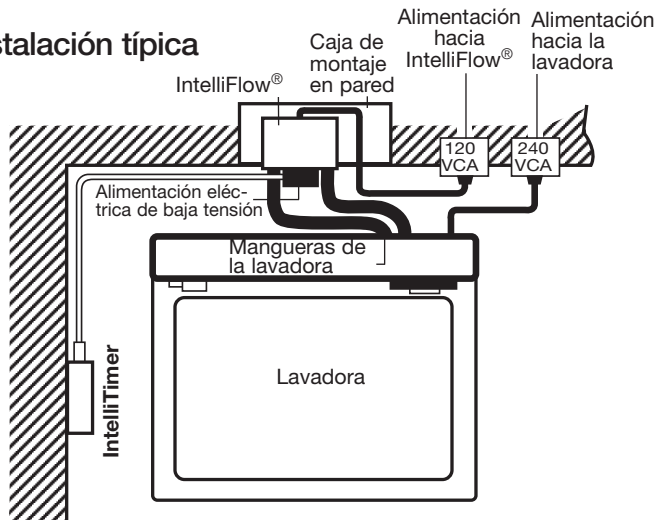
El suministro de alimentación de baja tensión del A2-IntelliTimer se conecta al tomacorriente de la válvula IntelliFlow®. El temporizador remoto de estado sólido se instala en un lugar cómodo para el usuario, conectado a la alimentación eléctrica de baja tensión.

Al activar el botón del temporizador, se genera un flujo de corriente que es detectado por IntelliFlow®. En consecuencia, el dispositivo IntelliFlow® activa las válvulas a solenoides y permite que el agua fluya hacia la lavadora. Esta misma acción inicia una secuencia de temporización de dos horas que, al finalizar, desactiva la válvula IntelliFlow® y cierra el flujo de agua hacia la lavadora. La secuencia de temporización puede interrumpirse si se vuelve a presionar el botón.

Cada vez que el A2-IntelliTimer recibe energía, se ilumina un indicador LED verde.



Instalación típica



Guía de solución de problemas

PROBLEMA

SOLUCIÓN

1. No hay flujo de agua desde la manguera de suministro de agua fría o caliente:
LED VERDE: **APAGADO**

1. Enchufe IntelliFlow® al tomacorriente.
2. Compruebe si el tomacorriente tiene electricidad (restablezca la protección de falla a tierra).

LED VERDE: **ENCENDIDO**
LED AMARILLO: **APAGADO**
LED ROJO: **APAGADO / PARPADEO DÉBIL**

1. Conecte la lavadora a la válvula IntelliFlow® y encienda la lavadora.
2. Conecte la lavadora a un tomacorriente diferente para confirmar que funcione.

LED VERDE: **ENCENDIDO**
LED AMARILLO: **APAGADO**
LED ROJO: **ENCENDIDO**

1. El sensor de fugas detectó agua.
2. Compruebe si hay roturas o fugas en las mangueras.
3. Desconecte IntelliFlow® del tomacorriente, repare el problema y vuelva a conectar el enchufe al tomacorriente para restablecer la válvula.
4. Encienda la lavadora.

LED VERDE: **ENCENDIDO**
LED AMARILLO: **APAGADO**
LED ROJO: **PARPADEO**

1. Finalizó el plazo del circuito del temporizador interno IntelliFlow®. Desactive la lavadora para restablecer el circuito temporizador.
2. Encienda la lavadora.

2. No hay flujo de agua desde una de las mangueras (fría o caliente):
LED VERDE: **ENCENDIDO**
LED AMARILLO: **ENCENDIDO**
LED ROJO: **APAGADO / PARPADEO DÉBIL**

1. Repare los tamices de las mangueras de la lavadora.
2. Repare los tamices de la válvula IntelliFlow® (consulte la Figura 1). Preste atención, antes de reparar los tamices, desactive la alimentación a la válvula IntelliFlow® desconectándola y luego cierre el suministro de agua fría y caliente a IntelliFlow®.

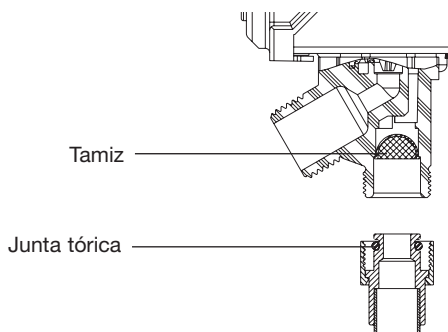


Figura 1

3. LED AMARILLO: **Permanece encendido**
LED VERDE: **ENCENDIDO**
LED AMARILLO: **ENCENDIDO**
LED ROJO: **APAGADO / PARPADEO DÉBIL**

Algunos modelos de lavadora tienen circuitos que provocan un consumo de corriente leve en todo momento. Si se conectan estos modelos a la válvula IntelliFlow®, es posible que se alimente constantemente el suministro de agua (LED amarillo: ENCENDIDO). Es posible restablecer la válvula IntelliFlow® si se desconecta y se reinstala el sensor de fugas.

4. La unidad está tibia:

Esta es una situación normal. La temperatura de funcionamiento interna puede hacer que la unidad se sienta tibia al tacto.

5. La unidad se enciende y apaga:

La instalación en posición horizontal puede provocar un sobrecalentamiento anormal de la unidad que provoca el encendido y apagado. La unidad debe instalarse en posición vertical, como se muestra en las páginas 2 y 3.

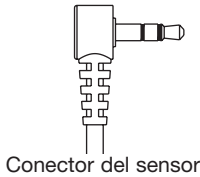
Indicadores de estado del panel frontal

LED VERDE: **ENCENDIDO:** Unidad encendida

Esta lámpara se ilumina cuando la válvula IntelliFlow® está conectada a un tomacorriente con alimentación eléctrica.

LED AMARILLO: **ENCENDIDO:** Suministro de agua abierto
APAGADO: Suministro de agua cerrado.

Esta lámpara se ilumina cuando el sensor de IntelliFlow® detecta el flujo de corriente (y la lavadora está encendida). Está apagado cuando la lavadora se desactiva.



Conector del sensor

AVISO

Algunos modelos de lavadora tienen circuitos que provocan un consumo de corriente leve en todo momento. Si se conectan estos modelos a la válvula IntelliFlow®, es posible que se alimente constantemente el suministro de agua (LED amarillo: ENCENDIDO).

LED ROJO: **ENCENDIDO:** Fuga detectada.

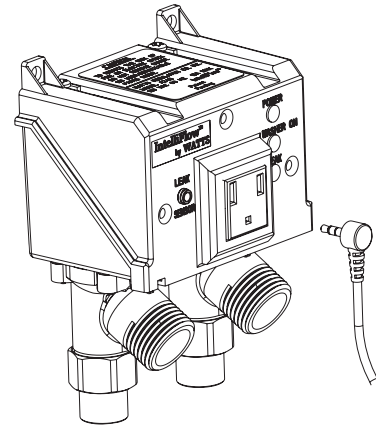
Esta lámpara se enciende cuando el sensor de fugas está instalado y se detecta agua en el sensor. El suministro de agua a las mangueras de la lavadora se interrumpe cuando se detecta una fuga.

PARPADEANTE: Plazo de la unidad finalizado

Esta lámpara parpadea cuando finaliza el plazo del circuito del temporizador interno y se cierra el suministro de agua hacia las mangueras de la lavadora. Si se apaga y se vuelve a encender la lavadora, el circuito del temporizador se restablece.

PARPADEO DÉBIL: (3 a 5 segundos)

Este estado indica que el sensor de fugas está desconectado. Para contar con el máximo nivel de protección, es recomendable que el sensor de fugas esté instalado en todo momento.



¿Qué es la protección contra sobrecargas?

En muchos lugares, es frecuente que la tensión de CA suministrada por la empresa de servicios cambie repentinamente. Pueden producirse bajas de tensión o picos de tensión (sobrecarga). La caída de rayos también puede provocar picos de tensión.

Todos los equipos electrónicos están diseñados para funcionar adecuadamente aunque haya una cierta variación de tensión. No obstante, los picos de tensión pueden dañar los circuitos sensibles de los equipos electrónicos.

Los protectores contra descargas evitan que los picos de tensión lleguen al equipo electrónico.

¿Qué es la protección de falla a tierra?

En muchos lugares, existe un diferencial eléctrico entre la puesta a tierra eléctrica y de la tubería de agua. Si una persona toca las dos conexiones de puesta a tierra, puede sufrir un choque dañino o incluso mortal. El circuito del interruptor de falla a tierra (GFI) detecta el diferencial y elimina la electricidad para evitar lesiones.

La válvula IntelliFlow® no provoca ni modifica el diferencial eléctrico.

Opciones de kits de adaptación IntelliFlow®

IntelliFlow®

Kit de instalación de adaptación KA2-BD N.º de pedido 0004800 Estos kits de montaje se utilizan específicamente para instalar la válvula de cierre automático para lavadora Watts IntelliFlow® modelo A2C-M1 en válvulas de drenaje ya instaladas.

Si la instalación actual es así:

La instalación final será así:

Si la instalación actual es así:

La instalación final será así:



----- KA2-BD -----



Drenaje izquierdo o derecho



----- KA2-BD -----



Drenaje central

IntelliFlow®

Kit de adaptación KA2-R N.º de pedido 0004805

Este kit permite sustituir los modelos de Watts IntelliFlow® A2-WB, A2C-WB, A2C-WB-M con el nuevo modelo IntelliFlow® A2C-M1.

Si la instalación actual es así:

La instalación final será así:



----- o -----



----- KA2-R -----



Caja de montaje en pared estilo 2, A2-WB, A2C-WB o A2C-WB-M

A2C-M1

IntelliFlow®

Kit de adaptación KA2-A N.º de pedido 0004804

Este kit permite sustituir la válvulas de cierre para lavadoras Watts de montaje en pared modelo 2 Duo-Cloz y los modelos IntelliFlow® de montaje en pared A2, A2C, A2C-M con el nuevo modelo Watts IntelliFlow® A2C-M1.

Si la instalación actual es así:

La instalación final será así:



----- o -----



----- KA2-A -----



Caja de montaje en pared estilo 2, A2, A2C o A2C-M

A2C-M1

ADVERTENCIA: Este producto contiene sustancias químicas que el estado de California sabe causan cáncer, defectos de nacimiento y otros daños reproductivos.
Para obtener más información: Watts.com/prop65

Garantía limitada: Watts Regulator Co. (la "Compañía") garantiza que los productos no presentarán defectos en el material y la mano de obra cuando se usen en forma normal, durante un periodo de un año a partir de la fecha de envío original. Si se produjeran dichos defectos durante el periodo cubierto por la garantía, la Compañía podrá, según su criterio, optar por reemplazar o reacondicionar el producto sin cargo alguno.

LA GARANTÍA AQUÍ ESTABLECIDA SE CONFIERE EXPRESAMENTE Y ES LA ÚNICA GARANTÍA OTORGADA POR LA COMPAÑÍA CON RESPECTO AL PRODUCTO. LA COMPAÑÍA NO EXTIENDE NINGUNA OTRA GARANTÍA, EXPLÍCITA O IMPLÍCITA. LA COMPAÑÍA SE EXIME ESPECÍFICAMENTE A TRAVÉS DE ESTE DOCUMENTO DE CUALQUIER OTRA GARANTÍA, EXPLÍCITA O IMPLÍCITA, INCLUIDAS ENTRE OTRAS, LAS GARANTÍAS IMPLÍCITAS DE COMERCIABILIDAD Y APTITUD PARA UN FIN EN PARTICULAR.

El recurso descrito en el primer párrafo de esta garantía será el único y exclusivo en caso de incumplimiento de la garantía, y la Compañía no será responsable por ningún daño incidental, especial ni indirecto, lo cual incluye, a título meramente enunciativo, lucro cesante o el costo de reparar o reemplazar otros bienes que se hayan dañado si este producto no funciona correctamente, otros costos resultantes de mano de obra, retrasos, vandalismo, negligencia, contaminación ocasionada por materia extraña, daños por condiciones adversas del agua, productos químicos o cualquier otra circunstancia sobre la cual la Compañía no tenga control. Esta garantía quedará anulada por maltrato, uso indebido, mal uso, instalación incorrecta o mantenimiento inadecuado o alteración del producto. Algunos estados no permiten limitaciones sobre la duración de las garantías implícitas y algunos estados no permiten la exclusión ni la limitación de daños incidentales o indirectos. Por lo tanto, es posible que las limitaciones anteriores no correspondan en su caso. Esta Garantía limitada le proporciona derechos legales específicos, y usted también puede tener otros derechos que varían de un estado a otro. Deberá consultar las leyes estatales correspondientes para poder determinar sus derechos. **MIENTRAS ASÍ LO PERMITA LA LEGISLACIÓN ESTATAL APLICABLE, LAS GARANTÍAS IMPLÍCITAS QUE NO PUEDAN RECHAZARSE, INCLUIDAS, A MODO ILUSTRATIVO, LAS GARANTÍAS IMPLÍCITAS DE COMERCIABILIDAD Y APTITUD PARA UN FIN PARTICULAR, TENDRÁN UNA LIMITACIÓN LIMITADA DE UN AÑO A PARTIR DE LA FECHA DE ENVÍO ORIGINAL.**

WATTS®

Una compañía de Watts Water Technologies

EE. UU.: Tel: (978) 689-6066 • Fax: (978) 975-8350 • Watts.com

Canadá: Tel: (905) 332-4090 • Fax: (905) 332-7068 • Watts.com

Latinoamérica: Tel: (52) 81-1001-8600 • Fax: (52) 81-8000-7091 • Watts.com

Watts IntelliFlow®

Robinet d'arrêt pour machine à laver automatique modèle A2C-M1, A2C-WB-M1

⚠ AVERTISSEMENT



Lisez ce manuel AVANT d'utiliser cet équipement.
Le non-respect de cette instruction ou des informations relatives à la sécurité et à l'utilisation risque de provoquer des blessures, des dégâts matériels et des dommages à l'équipement.
Conservez ce manuel pour référence ultérieure.



AVIS

Cet appareil n'est pas compatible avec les machines à laver ou les ensembles lave-linge/sèche-linge fonctionnant avec une alimentation 240 V c.a. Un Watts A2-IntelliTimer (vendu séparément) peut être utilisé avec le robinet d'arrêt IntelliFlow® avec les machines à laver ou les lave-linge/sèche-linge avec une alimentation 240 V c.a. (Voir page 5)



***Ce robinet exige un circuit de protection contre les fuites de terre de 120 V c.a., 60 Hz, 20 A.**

*Disjoncteur de fuite de terre (GFI) : ce type de disjoncteur n'est pas obligatoire pour que l'IntelliFlow® fonctionne correctement, mais ce dispositif de sécurité est fortement recommandé.

⚠ AVERTISSEMENT



Protection contre les surtensions : bien qu'un limiteur de surtension ne soit pas indispensable au bon fonctionnement de l'IntelliFlow®, il est fortement conseillé, particulièrement dans les régions où les surtensions ou la foudre sont fréquentes.

Instructions d'utilisation

Le robinet d'arrêt automatique Watts IntelliFlow® pour machine à laver est équipé d'un capteur de courant électrique ultramoderne. Lorsque la machine à laver est mise en route, l'appareil détecte le flux de courant circulant dans la machine à laver. Cela actionne les robinets électromagnétiques, permettant à l'eau de circuler vers la machine à laver. Lorsque la machine à laver s'arrête après le cycle de lavage complet, l'appareil détecte l'absence de courant et ferme les robinets. L'IntelliFlow® reste fermé jusqu'à ce que la machine à laver soit remise en route.

Le détecteur de fuite offre une protection supplémentaire contre les dégâts des eaux pendant le fonctionnement de la machine à laver. Lorsque de l'eau est détectée au niveau du détecteur, le flux d'eau vers les tuyaux alimentant la machine à laver est immédiatement interrompu.

En installant un dispositif IntelliFlow®, vous protégez votre maison contre les dégâts des eaux provoqués par la rupture ou une fuite du tuyau d'alimentation de la machine à laver.

Spécifications de fonctionnement

Système électrique : 120 V c.a., 60 Hz

Exigences relatives au disjoncteur : GFI* 20 A

Courant nominal max. de l'appareil : 15 A

Appel de courant : 20 mA (appareil hors tension)

Cordon électrique : 14 AWG de type SJT 6 pi

Température max. : 82 °C (180 °F)

Pression max. : 10,3 bar (150 psi)

Différence de pression de service max. : 5,5 bar (80 psi)

Corps de robinet : polysulfone renforcé

Pièces en élastomère : buna-N, EPDM

***Disjoncteur différentiel de fuite à la terre (GFI) :** ce type de disjoncteur n'est pas obligatoire pour que l'IntelliFlow®

fonctionne correctement, mais ce dispositif de sécurité est fortement recommandé. Conformément au Code national de l'électricité, NFPA 70, Section 210.11 relative aux Circuits dérivés obligatoires, au moins un circuit dérivé de 20 A doit être fourni pour alimenter les prises destinées au lavage, conformément à la Section 210.52(F). Ce circuit ne doit pas disposer d'autres prises.

⚠ AVERTISSEMENT

***Protection contre les surtensions :** bien qu'un limiteur de surtension ne soit pas indispensable pour le bon fonctionnement de l'IntelliFlow®, il est fortement conseillé, particulièrement dans les régions où les surtensions ou la foudre sont fréquentes.

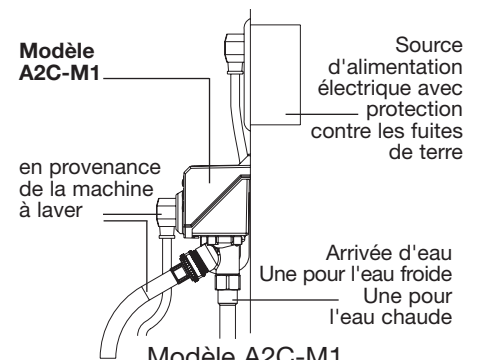


A2C-M1 IntelliFlow®

Numéro de brevet 6,003,536 

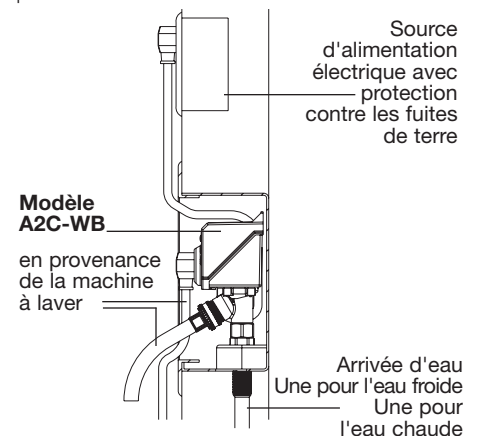


Détecteur de fuite



Modèle A2C-M1

Raccords à souder 1/2 po pour la tuyauterie apparente
Équipés en standard d'adaptateurs pour soudure au cuivre 1/2 po. Les deux raccords peuvent être utilisés pour l'alimentation en eau chaude et en eau froide.



Modèle A2C-WB-M1

Inclut un boîtier pour montage mural. Le boîtier pour montage mural est doté d'orifices pour les raccords d'arrivée d'eau espacés de 2 3/8 po de centre à centre. Fourni avec des raccords à souder 1/2 po. Les deux raccords peuvent être utilisés pour l'alimentation en eau chaude et en eau froide.

WATTS®

Installation du A2C-M1 IntelliFlow®

⚠ AVERTISSEMENT

L'alimentation **DOIT** être coupée pendant l'installation ou l'entretien du robinet!

Ne branchez pas le robinet sur le circuit d'alimentation avant la fin de l'assemblage.

AVIS Conçu pour une installation verticale uniquement!

1. Coupez l'alimentation électrique.
2. Coupez les arrivées d'eau chaude et d'eau froide.
3. Si vous rénovez une installation existante, déconnectez les tuyaux de la machine à laver du ou des robinets d'arrêt existant(s).
4. Desserrez les deux (2) écrous et retirez les deux adaptateurs du corps de robinet IntelliFlow®.
5. Placez les écrous de l'adaptateur sur la tuyauterie avant de souder les raccords.
6. Soudez les adaptateurs sur la tuyauterie.

AVIS

La distance entre les tuyaux doit être de 2 $\frac{3}{8}$ po au centre (Figure 3).

7. Placez les joints toriques sur les rainures de l'adaptateur (Figure 3A).
8. Alignez et faites glisser le corps de robinet au-dessus des adaptateurs. Serrez les écrous de l'adaptateur.

AVIS

Ne serrez pas excessivement les écrous.

Pour éviter de fausser les filets, vérifiez l'alignement de ces derniers.

9. Raccordez les tuyaux de la machine à laver aux sorties d'eau chaude et d'eau froide de l'IntelliFlow®.
10. Branchez la machine à laver sur la prise électrique de l'IntelliFlow®.

AVIS

Le courant nominal de l'appareil ne doit pas être supérieur à 15 A.

11. Branchez le cordon électrique de l'IntelliFlow® à une prise secteur de la maison (Figure 4).

AVIS

L'IntelliFlow® exige une prise reliée à la terre de 120 V c.a., 60 Hz, 15 A.*

12. Installez le détecteur de fuite.

AVIS

L'IntelliFlow® détecte tous les flux de courant circulant dans la machine à laver lorsque cette dernière est éteinte. Au démarrage ou pendant le dépannage, le robinet IntelliFlow peut être placé en position d'arrêt en débranchant et en réinstallant le détecteur de fuite.

13. Ouvrez les arrivées d'eau chaude et d'eau froide et assurez-vous qu'il n'y a aucune fuite.
14. En l'absence de fuite, activez l'alimentation électrique. L'installation de l'A2C-M1 IntelliFlow® est maintenant terminée.

*Disjoncteur de fuite de terre (GFI) : ce type de disjoncteur n'est pas obligatoire pour que l'IntelliFlow® fonctionne correctement, mais ce dispositif de sécurité est fortement recommandé.

AVIS

L'utilisation d'une prise pour robinet de machine à laver automatique Watts avec des appareils autres qu'une machine à laver est déconseillée et annule la garantie.

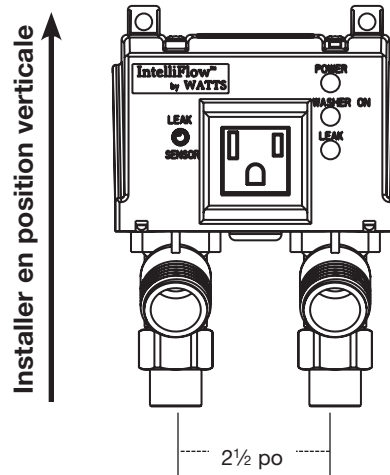


Figure 3

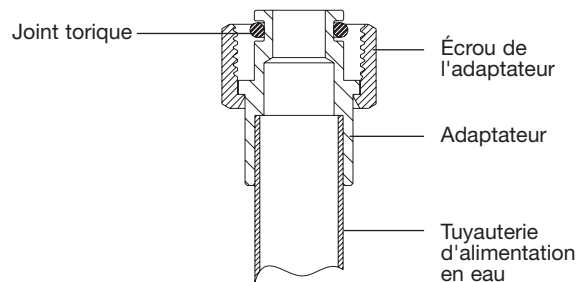


Figure 3A

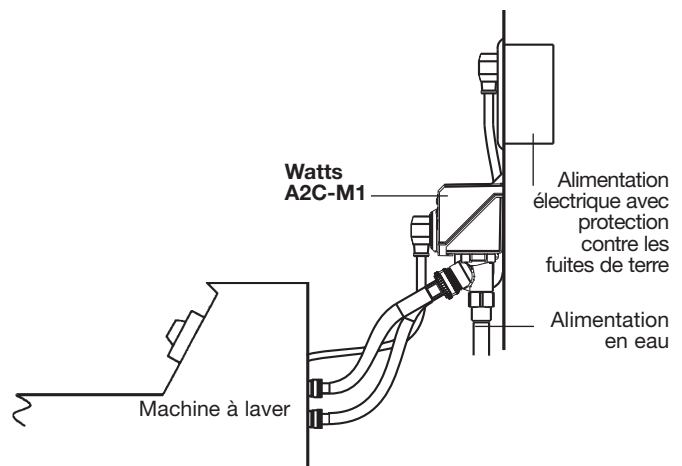


Figure 4

AVIS

Ne branchez pas le robinet sur un circuit électrique avant d'avoir terminé l'installation de l'appareil et d'avoir rebranché les tuyaux d'alimentation en eau.

Installation du boîtier mural pour IntelliFlow® (A2C-WB-M1)

⚠ AVERTISSEMENT

L'alimentation DOIT être coupée pendant l'installation ou l'entretien du robinet!

Ne branchez pas le robinet sur le circuit d'alimentation avant la fin de l'assemblage.

AVIS

Conçu pour une installation verticale uniquement!

1. Coupez l'alimentation électrique.
2. Coupez les arrivées d'eau chaude et d'eau froide.
3. Retirez la plaque de garniture (Figures 5 et 6) et mettez-la de côté jusqu'à ce que la finition du mur soit terminée (peinture, papier, lambrissage, etc.).
4. Installez les quatre languettes de montage fournies dans les logements situés de part et d'autre de l'armoire murale (Figure 7).
5. Positionnez l'A2C-WB-M1 entre deux poteaux muraux, comme indiqué dans la Figure 7. Vérifiez le niveau et attachez les languettes de montage sur les poteaux.
6. Retirez le cache du bouchon d'évacuation. Installez la tuyauterie d'évacuation et la tuyauterie d'alimentation en eau sur le raccord IntelliFlow® approprié. Les deux raccords IntelliFlow® peuvent être utilisés pour l'alimentation en eau chaude ou en eau froide.

AVIS

La chaleur excessive provoquée par la soudure peut endommager les pièces en plastique. Utilisez un dissipateur de chaleur pour éviter tout dégât.

7. Placez les joints toriques sur les rainures de l'adaptateur (Figure 3A).
8. Alignez et faites glisser le corps de robinet au-dessus des adaptateurs. Serrez les écrous de l'adaptateur.

AVIS

Ne serrez pas excessivement les écrous.

Pour éviter de fausser les filets, vérifiez l'alignement de ces derniers.

9. Avant d'installer le matériel mural, ouvrez l'alimentation en eau (chaude et froide) et assurez-vous qu'il n'y a aucune fuite. Testez la tuyauterie d'évacuation à la recherche de fuites.
10. Coupez l'alimentation en eau jusqu'à ce que vous ayez terminé l'installation murale.

AVIS

L'installation doit respecter les codes et ordonnances locaux. L'inspection et l'approbation d'une installation par les autorités locales peuvent être requises avant l'installation murale. Vérifiez les exigences requises auprès des autorités de plomberie locales.

11. Une fois le mur terminé, installez la plaque de garniture et raccordez la tuyauterie d'alimentation de la machine à laver au robinet IntelliFlow® et à la machine à laver.
12. Branchez la machine à laver à la prise électrique de l'IntelliFlow®.

AVIS

Le courant nominal de l'appareil ne doit pas être supérieur à 15 A.

13. Insérez le cordon d'alimentation de l'IntelliFlow® dans une prise secteur de la maison.

AVIS

L'IntelliFlow® exige une prise reliée à la terre de 120 V c.a., 60 Hz, 15 A.*

14. Installez le détecteur de fuite.

AVIS

L'IntelliFlow® détecte tous les flux de courant circulant dans la machine à laver lorsque cette dernière est éteinte. Au démarrage ou pendant le dépannage, le robinet IntelliFlow peut être placé en position d'arrêt en débranchant et en réinstallant le détecteur de fuite.

15. Ouvrez les arrivées d'eau chaude et d'eau froide et assurez-vous qu'il n'y a aucune fuite.

16. En l'absence de fuite, activez l'alimentation électrique. L'installation du boîtier mural de l'IntelliFlow® A2C-WB-M1 est maintenant terminée.

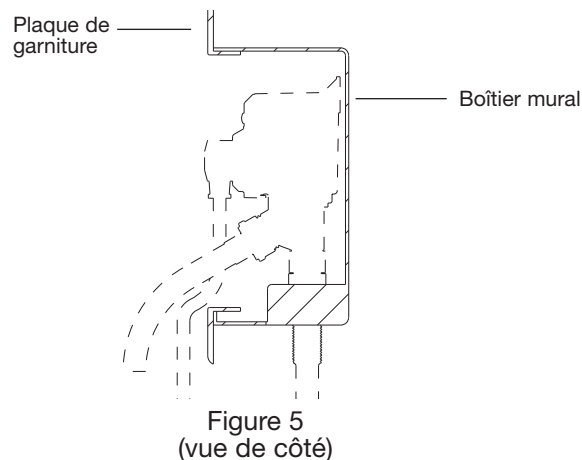


Figure 5
(vue de côté)

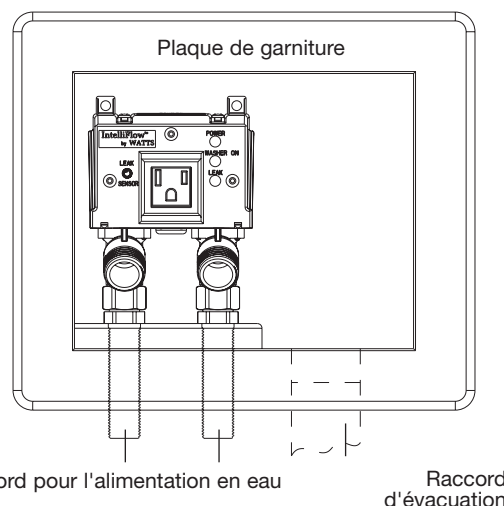


Figure 6
(vue frontale)

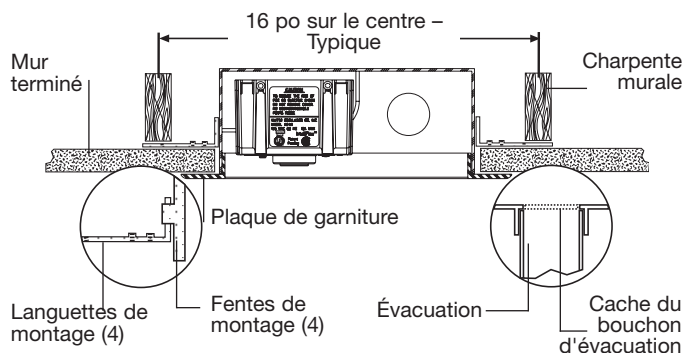


Figure 7
(vue de dessus)

*Disjoncteur de fuite de terre (GFI) : ce type de disjoncteur n'est pas obligatoire pour que l'IntelliFlow® fonctionne correctement, mais ce dispositif de sécurité est fortement recommandé.

Installation du détecteur de fuite Watts modèle A2-LS

Description

Le détecteur de fuite Watts modèle A2-LS se branche à la prise en façade de l'appareil Watts IntelliFlow® série A2C-M1 ou A2-WB-M1. La base du détecteur est placée sur le sol, à proximité de la machine à laver. S'il détecte de l'eau au niveau du détecteur, IntelliFlow® coupe immédiatement l'alimentation en eau vers la machine à laver pour éviter des dégâts des eaux catastrophiques.

Installation :

1. Insérez les contacts du détecteur de fuite dans les deux orifices situés en haut de la base du détecteur, jusqu'à ce que la prise arrive à un arrêt (Figure 2).
2. Placez la base du détecteur sur le sol, sous la machine à laver aussi proche des tuyaux de remplissage que possible. Assurez-vous que la base du détecteur est bien à plat et que tous ses pieds sont en contact avec la surface du sol.
3. Insérez la fiche du détecteur de fuite (Figure 1) dans la prise du détecteur en façade (Figure 2).

Remarque : certains modèles de machines à laver incluent des circuits qui génèrent en permanence un faible appel de courant. Ces modèles, lorsqu'ils sont connectés à IntelliFlow®, peuvent faire en sorte que l'alimentation en eau soit continuellement sous tension (voyant jaune : ACTIVÉ). L'IntelliFlow® peut être réinitialisé en débranchant et en réinstallant le détecteur de fuite.

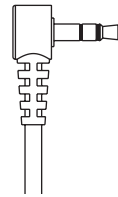


Figure 1
Prise du détecteur

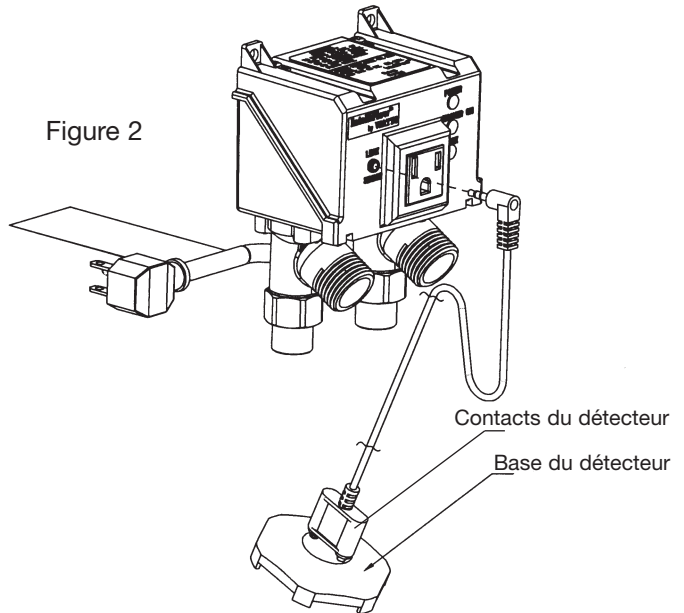


Figure 2

Contacts du détecteur

Base du détecteur

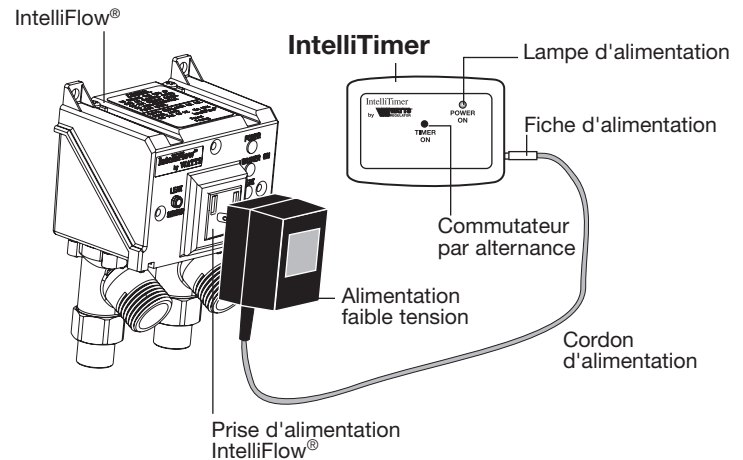
Accessoires : Watts A2-IntelliTimer

Le Watts A2-IntelliTimer est un accessoire optionnel utilisé conjointement avec le robinet d'arrêt Watts IntelliFlow® pour machine à laver automatique. Il s'agit d'un minuteur distant qui permet d'utiliser l'IntelliFlow® dans les applications où la machine à laver ou un ensemble lave-linge/sèche linge est alimenté(e) par une tension à 240 V c.a. (IntelliFlow® n'est pas compatible avec les appareils avec une tension de 240 V c.a.). Le minuteur initie un cycle de deux heures lorsque le bouton est enfoncé.

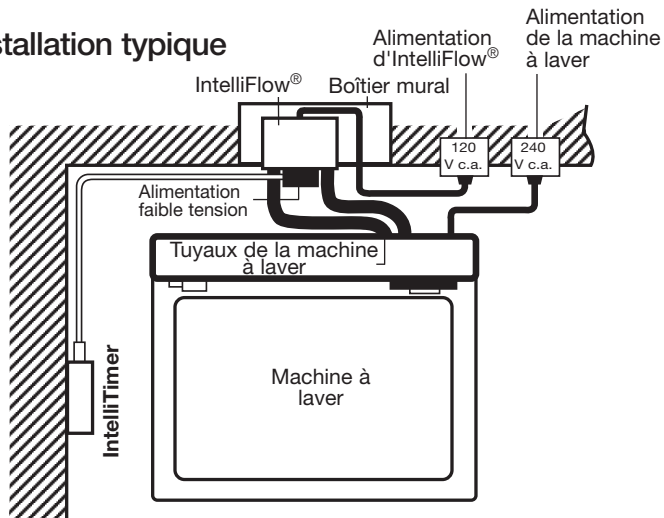
L'alimentation à faible tension A2-IntelliTimer est branchée à la prise électrique IntelliFlow®. Le minuteur est installé à un emplacement qui est pratique pour l'utilisateur et connecté à une alimentation à faible tension.

L'activation du bouton-poussoir sur le minuteur fait circuler le courant, qui est détecté par IntelliFlow®. IntelliFlow® actionne ensuite les électrovannes, permettant à l'eau de circuler vers la machine à laver. Cela commence également une séquence de deux heures qui, lorsqu'elle est terminée, met hors tension l'IntelliFlow®, coupant la circulation d'eau vers la machine à laver. La séquence de temporisation peut être interrompue par une seconde activation du bouton-poussoir.

Un voyant vert s'allume lorsque l'A2-IntelliTimer est sous tension.



Installation typique



Guide de dépannage

PROBLÈME

SOLUTION

1. Aucun flux d'eau en provenance des tuyaux d'alimentation en eau chaude ou en eau froide :
Voyant VERT : **DÉSACTIVÉ**

1. Branchez IntelliFlow® dans une prise électrique.
2. Vérifiez que la prise électrique est alimentée (réinitialisez la mise à la terre).

Voyant VERT : **ACTIVÉ**
Voyant JAUNE : **DÉSACTIVÉ**
Voyant ROUGE : **DÉSACTIVÉ / CLIGNOTE FAIBLEMENT**

1. Branchez la machine à laver à IntelliFlow® et mettez la machine à laver en marche.
2. Vérifiez que la machine à laver fonctionne en la branchant sur une prise électrique distincte.

Voyant VERT : **ACTIVÉ**
Voyant JAUNE : **DÉSACTIVÉ**
Voyant ROUGE : **ACTIVÉ**

1. Le détecteur de fuite a détecté la présence d'eau.
2. Recherchez les tuyaux cassés ou qui fuient.
3. Débranchez IntelliFlow® de la prise électrique, corrigez le problème, puis réinsérez la fiche dans la prise pour réinitialiser le robinet.
4. Mettez la machine à laver en marche.

Voyant VERT : **ACTIVÉ**
Voyant JAUNE : **DÉSACTIVÉ**
Voyant ROUGE : **CLIGNOTE**

1. Le circuit de temporisation interne d'IntelliFlow® s'est interrompu. Arrêtez la machine à laver pour réinitialiser le circuit de temporisation.
2. Mettez la machine à laver en marche.

2. Pas d'eau en provenance d'un tuyau (soit l'eau chaude soit l'eau froide) :
Voyant VERT : **ACTIVÉ**
Voyant JAUNE : **ACTIVÉ**
Voyant ROUGE : **DÉSACTIVÉ / CLIGNOTE FAIBLEMENT**

1. Nettoyez les grilles des tuyaux de la machine à laver.
2. Nettoyez les grilles au niveau de l'IntelliFlow® (voir Figure 1). Par précaution avant de nettoyer les grilles, commencez par couper l'alimentation électrique de l'IntelliFlow® en débranchant puis en coupant l'alimentation en eau chaude et en eau froide vers l'IntelliFlow®.

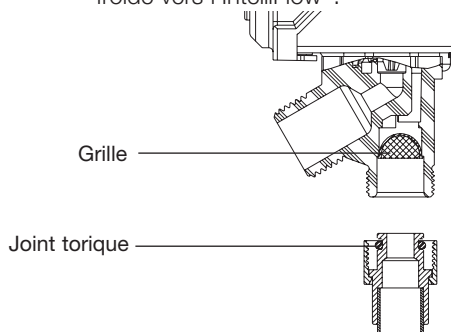


Figure 1

3. Le voyant jaune **reste allumé**
Voyant VERT : **ACTIVÉ**
Voyant JAUNE : **ACTIVÉ**
Voyant ROUGE : **DÉSACTIVÉ / CLIGNOTE FAIBLEMENT**

Certains modèles de machines à laver incluent un circuit qui peut générer en permanence un léger appel de courant. Ces modèles, lorsqu'ils sont connectés à l'IntelliFlow® peuvent mettre sous tension l'alimentation en eau continue (Voyant JAUNE : **ACTIVÉ**). L'IntelliFlow® peut être réinitialisé en débranchant et en réinstallant le détecteur de fuite.

4. L'appareil est chaud :

Cette condition est normale. Les températures de fonctionnement internes peuvent donner l'impression que l'appareil est chaud au toucher.

5. L'appareil s'allume et s'éteint automatiquement :

L'installation en position horizontale peut provoquer une surchauffe anormale de l'appareil, qui réagit en s'éteignant puis en se rallumant. L'appareil doit être installé en position verticale comme illustré aux pages 2 et 3.

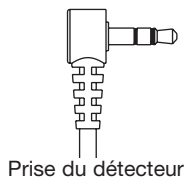
Indicateurs d'état en façade

Voyant VERT : **ACTIVÉ** : Appareil sous tension

Ce voyant s'allume lorsque l'IntelliFlow® est branché sur une prise secteur murale.

Voyant JAUNE : **ACTIVÉ** : Alimentation en eau ouverte.
DÉSACTIVÉ : Alimentation en eau fermée.

Ce voyant s'allume lorsque l'IntelliFlow® détecte un courant électrique (la machine à laver est allumée). Il est éteint lorsque la machine à laver est éteinte.



Prise du détecteur

AVIS

Certaines machines à laver incluent un circuit qui génère en permanence un léger appel de courant. Ces modèles, lorsqu'ils sont connectés à IntelliFlow®, peuvent faire en sorte que l'alimentation en eau soit continuellement sous tension (Voyant JAUNE : ACTIVÉ).

Voyant ROUGE : **ACTIVÉ** : Fuite détectée

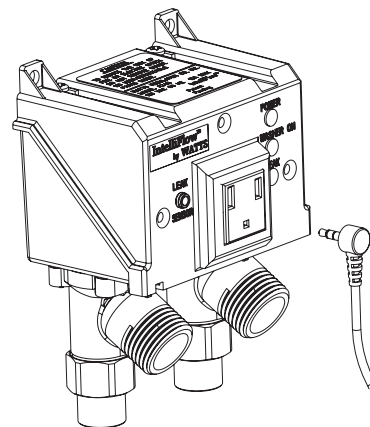
Ce voyant s'allume lorsque le détecteur de fuite est installé et que de l'eau a été détectée au niveau du détecteur. L'alimentation en eau vers les tuyaux de la machine à laver est coupée lorsqu'une fuite est détectée.

CLIGNOTEMENT : Temporisation de l'appareil

Ce voyant clignote lorsque le circuit de temporisation est expiré et ferme l'arrivée d'eau vers les tuyaux de la machine à laver. Le fait d'éteindre puis de rallumer la machine à laver réinitialise le circuit de temporisation.

CLIGNOTEMENT FAIBLE : (3 à 5 secondes)

Cet état indique que le détecteur de fuite est débranché. Pour fournir un niveau de protection maximal, il est conseillé de laisser le détecteur de fuite installé en permanence.



Qu'est-ce qu'une protection contre les surtensions?

À de nombreux endroits, des variations au niveau de l'alimentation en courant alternatif fournie par le service public peuvent survenir. Une tension plus basse (réduction de tension) et une haute tension (surtension) peuvent se produire. La foudre peut également provoquer des pics de haute tension.

Tous les équipements électroniques sont conçus pour fonctionner correctement dans une certaine plage de tensions. Cependant, les surtensions ou les pics de tension peuvent endommager les circuits sensibles des équipements électroniques.

Les protections contre les surtensions évitent que les pics de tension n'atteignent les équipements électroniques.

Qu'est-ce qu'une protection contre les fuites de terre?

À de nombreux endroits, il peut exister une différence électrique entre une mise à la terre électrique et une mise à la terre de tuyaux d'eau. Une personne qui toucherait les deux masses pourrait recevoir un choc susceptible de la blesser, voire de la tuer. Un disjoncteur de fuite de terre détecte la différence et élimine l'énergie électrique avant qu'elle puisse provoquer des blessures.

L'IntelliFlow® ne provoque pas de différence électrique ou ne modifie pas celle qui existe.

Options du kit de modernisation IntelliFlow®

IntelliFlow®

Kit d'installation modernisée KA2-BD Ces kits de montage sont utilisés spécifiquement pour installer le robinet d'arrêt Watts A2C-M1 IntelliFlow® pour machine à laver automatique sur des robinets d'évacuation existants.
Commande n° 0004800

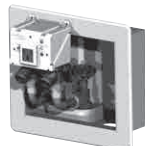
Si votre installation actuelle se présente comme suit :



----- KA2-BD -----

évacuation à droite ou à gauche

L'installation finale ressemblera à ce qui suit :



Si votre installation actuelle se présente comme suit :



évacuation centrale

L'installation finale ressemblera à ce qui suit :



----- KA2-BD -----

IntelliFlow®

Kit de modernisation KA2-R
Commande n° 0004805

Ce kit sert à remplacer les modèles Watts IntelliFlow® qui suivent : A2-WB, A2C-WB, A2C-WB-M avec le nouvel IntelliFlow® modèle A2C-M1.

Si votre installation actuelle se présente comme suit :



----- ou -----



Type boîtier mural avec style n° 2, A2-WB, A2C-WB ou A2C-WB-M

L'installation finale ressemblera à ce qui suit :



A2C-M1

----- KA2-R -----

IntelliFlow®

Kit de modernisation KA2-A
Commande n° 0004804

Ce kit sert à remplacer les robinets d'arrêt Watts pour machine à laver qui suivent : le robinet à montage mural modèle n° 2 Watts Duo-Cloz et les modèles à montage mural IntelliFlow® : A2, A2C, A2C-M avec le nouveau Watts IntelliFlow® modèle A2C-M1.

Si votre installation actuelle se présente comme suit :



----- ou -----



Style boîtier mural n° 2, A2, A2C ou A2C-M

L'installation finale ressemblera à ce qui suit :



A2C-M1

----- KA2-A -----

AVERTISSEMENT : ce produit contient des produits chimiques connus dans l'État de Californie pour causer le cancer et des malformations congénitales ou autres dommages au fœtus.
Pour obtenir plus de renseignements : Watts.com/prop65

Garantie limitée : Watts Regulator Co. (la « Société ») garantit que chacun de ses produits est exempt de vice de matériau et de fabrication dans des conditions normales d'utilisation, pour une période d'un an à compter de la date d'expédition d'origine. Dans l'éventualité où de tels vices se manifesteraient pendant la période de garantie, la Société, à sa discrétion, remplacera ou reconditionnera le produit sans frais.

LA PRÉSENTE GARANTIE EST EXPRESSE ET REPRÉSENTE LA SEULE GARANTIE OFFERTE PAR LA SOCIÉTÉ POUR CE PRODUIT. LA SOCIÉTÉ N'OFFRE AUCUNE AUTRE GARANTIE, EXPRESSE OU TACITE. PAR LA PRÉSENTE, LA SOCIÉTÉ REJETTE SPÉCIFIQUEMENT TOUTE AUTRE GARANTIE, EXPRESSE OU TACITE, NOTAMMENT TOUTE GARANTIE TACITE DE QUALITÉ MARCHANDE OU D'ADAPTATION À UN BUT PARTICULIER.

Le recours décrit dans le premier paragraphe de cette garantie constitue le seul recours à toute violation de la présente garantie. La Société ne saurait être tenue responsable de tout dommage accessoire, spécial ou indirect, y compris, sans limitation : la perte de profits ou le coût afférent à la réparation ou au remplacement d'autres biens qui seraient endommagés par suite du fonctionnement incorrect dudit produit; d'autres coûts résultant de frais de main-d'oeuvre, de retards, de vandalisme, de négligence, d'une obstruction causée par des corps étrangers, de dommages causés par une eau impropre, des produits chimiques ou par tout autre événement échappant au contrôle de la Société. La présente garantie est déclarée nulle et non avenue en cas d'usage abusif ou incorrect, d'application, d'installation ou d'entretien incorrects ou de modification du produit.

Certains États n'autorisent pas les limitations de durée d'une garantie tacite ou l'exclusion ou la limitation des dommages accessoires ou indirects. Les limitations susmentionnées peuvent donc ne pas s'appliquer à vous. Cette garantie limitée vous donne des droits spécifiques et il se peut que vous ayez aussi d'autres droits qui varient d'un État à l'autre. Veuillez vous référer aux lois applicables de l'État pour déterminer vos droits en la matière. **DANS LA MESURE PERMISE PAR LA LOI APPLICABLE DE L'ÉTAT, TOUTES LES GARANTIES TACITES NE POUVANT PAS ÊTRE REJETÉES, Y COMPRIS LES GARANTIES TACITES DE QUALITÉ MARCHANDE ET D'ADAPTATION À UN BUT PARTICULIER, SONT LIMITÉES QUANT À LEUR DURÉE À UN AN À COMPTER DE LA DATE D'EXPÉDITION ORIGINALE.**

WATTS®

Une compagnie Watts Water Technologies

É.-U. : Tél. : (978) 689-6066 • Télécopie : (978) 795 8350 • Watts.com

Canada : Tél. : 1 905 332 4090 • Télécopie : (905) 332-7068 • Watts.com

Amérique latine : Tél. : (52) 81 1001 8600 • Télécopie : (52) 81-8000-7091 • Watts.com