

HAMPTON BRIDGE FAUCET SPECS - LEVER HANDLES

Model # 6300



PRODUCT DESCRIPTION

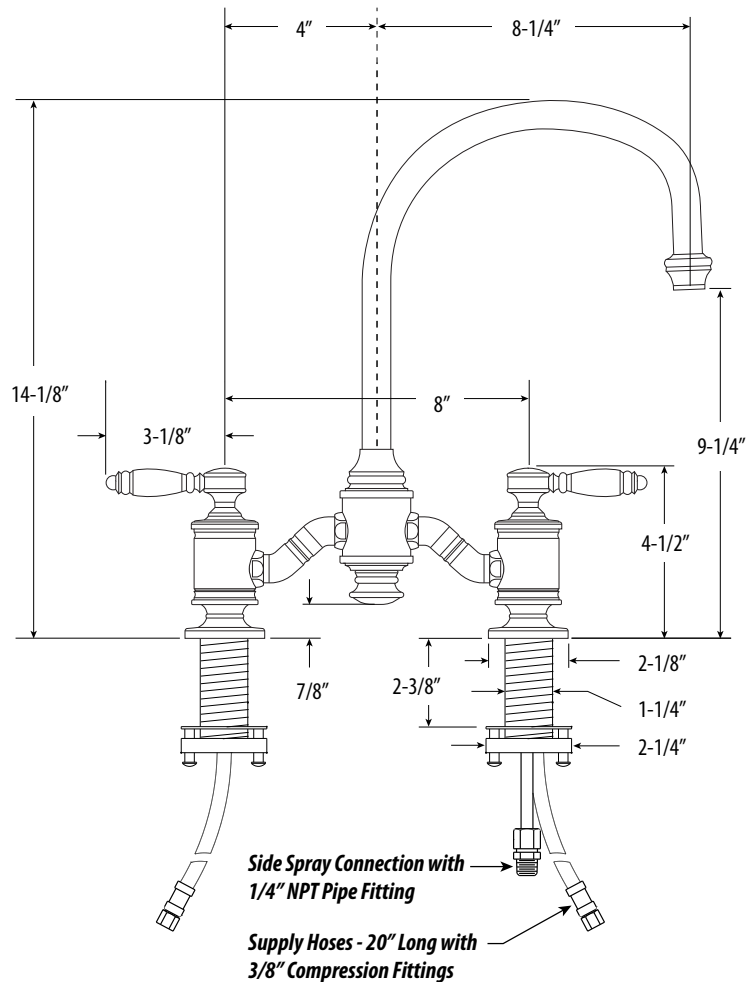
- Compatible with Reverse Osmosis filtration systems.
- C-spout with 8-1/4" reach.
- 1.75 gpm maximum flow rate.
- Aerated stream.
- Solid brass construction.
- Lever handles.
- Spout swivels 360 degrees.
- Includes 4 handle button options. 2 finish match and 2 ceramic Hot and Cold buttons.
- Equipped with diverter for optional side spray.
- Reinforced braided connection hoses.

CODES/STANDARDS APPLICABLE

Specified model meets or exceeds the following:

- ASME A112.18.1
- CSA B125.1
- NSF 61, 372
- CALGreen
- ADA Compliant

- Max Counter Thickness 2-3/8"
- Minimum Install Hole Size 1-3/8"



DIMENSIONS MAY VARY AND ARE SUBJECT TO CHANGE. NO RESPONSIBILITY IS ASSUMED FOR USE OF SUPERCEDED OR VOIDED DATA

AVAILABLE IN 32 FINISHES + SOLID STAINLESS STEEL

Almond - 01	Black Nickel - BLN	Distressed Antique Copper - DAC	Polished Gold - PG	Unlaquered Polished Brass - UPB
Antique Brass - AB	Black-Oil Rubbed Bronze - ORB	Distressed American Bronze - DAMB	Polished Nickel - PN	Venetian Bronze - VB
Antique Bronze - ABZ	Biscuit - 07	Distressed Antique Pewter - DAP	Satin Chrome - SC	Weathered Brass - WB
Antique Copper - AC	Caribbean Bronze - CB	Euro-White - EW	Satin Gold - SG	Weathered Copper - WC
American Bronze - AMB	Chocolate Bronze - CHB	Matte Black - MB	Satin Nickel - SN	White - WT
Antique Pewter - AP	Chrome - CH	Polished Brass - PB	Stainless Steel - SS*	
Black - 06	Distressed Antique Brass - DAB	Polished Copper - PC	Tuscan Brass - TB	

*Contemporary Styles Only